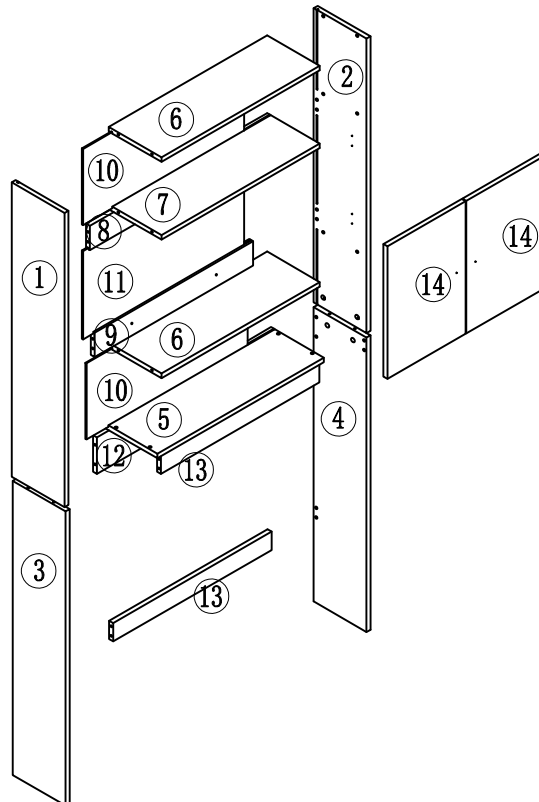
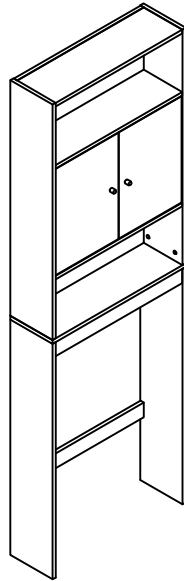
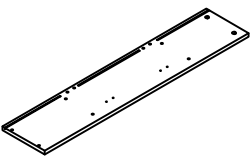
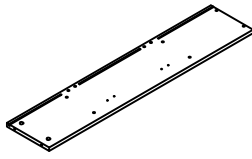
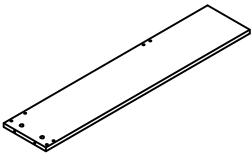
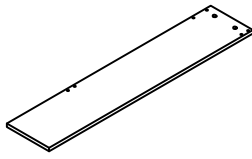
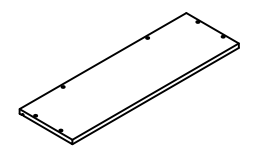
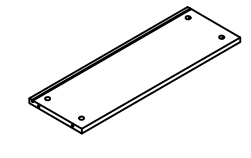
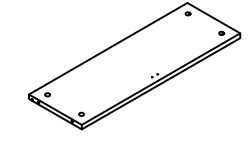
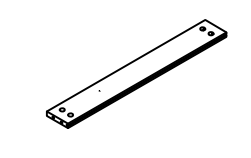
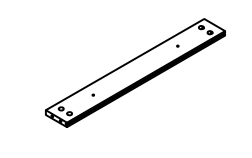
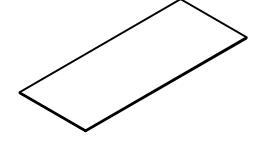
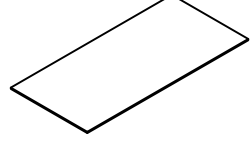
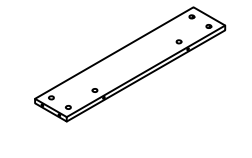
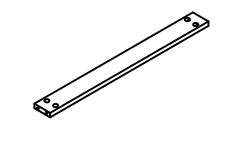
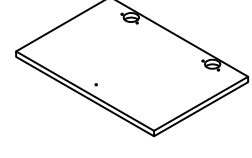





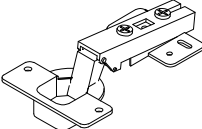

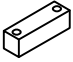


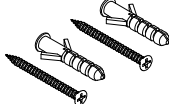
ASSEMBLY INSTRUCTIONS

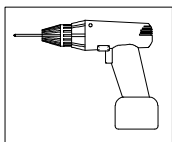


Part List

				
① x1Pc	② x1Pc	③ x1Pc	④ x1Pc	⑤ x1Pc
				
⑥ x2Pcs	⑦ x1Pc	⑧ x1Pc	⑨ x1Pc	⑩ x2Pcs
				
⑪ x1Pc	⑫ x1Pc	⑬ x2Pcs	⑭ x2Pcs	

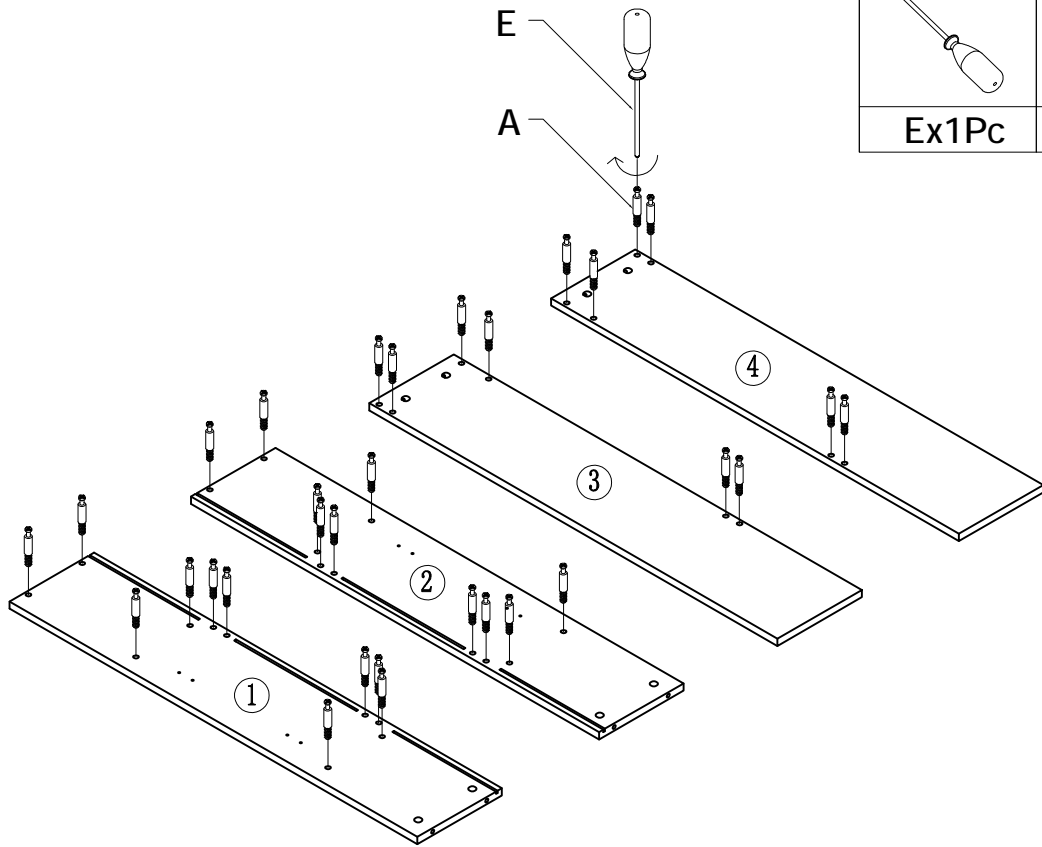
Hardware List

		 M4x14		
Ax42Pcs	Bx42Pcs	Cx26Pcs	Dx4Pcs	Ex1Pc
	 M4x18			
Fx1Pc	Gx2Pcs	Hx2Pcs	Kx2Pcs	

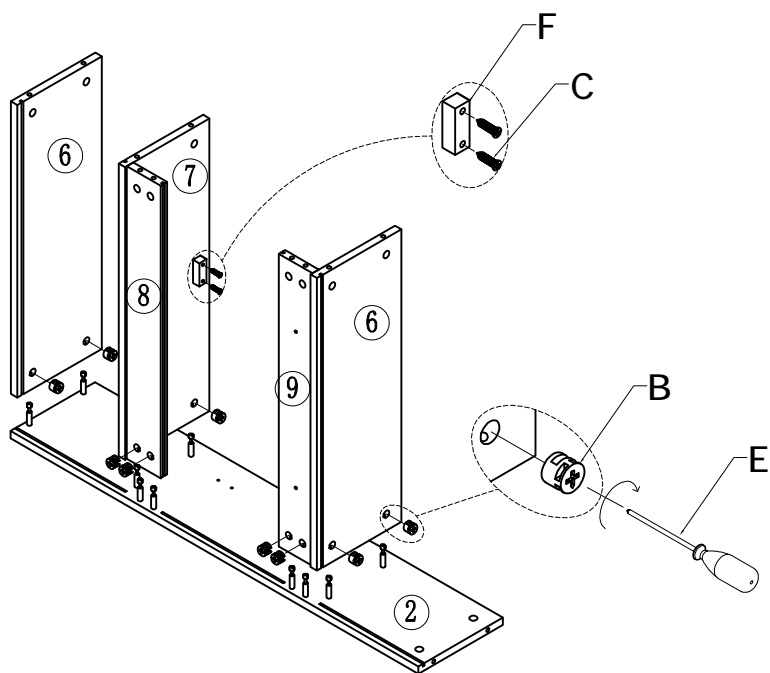


PLEASE BE CAREFUL. DO NOT DAMAGE THE HOLE POSITION WHEN YOU USE POWER TOOLS !

Step 1



Step 2



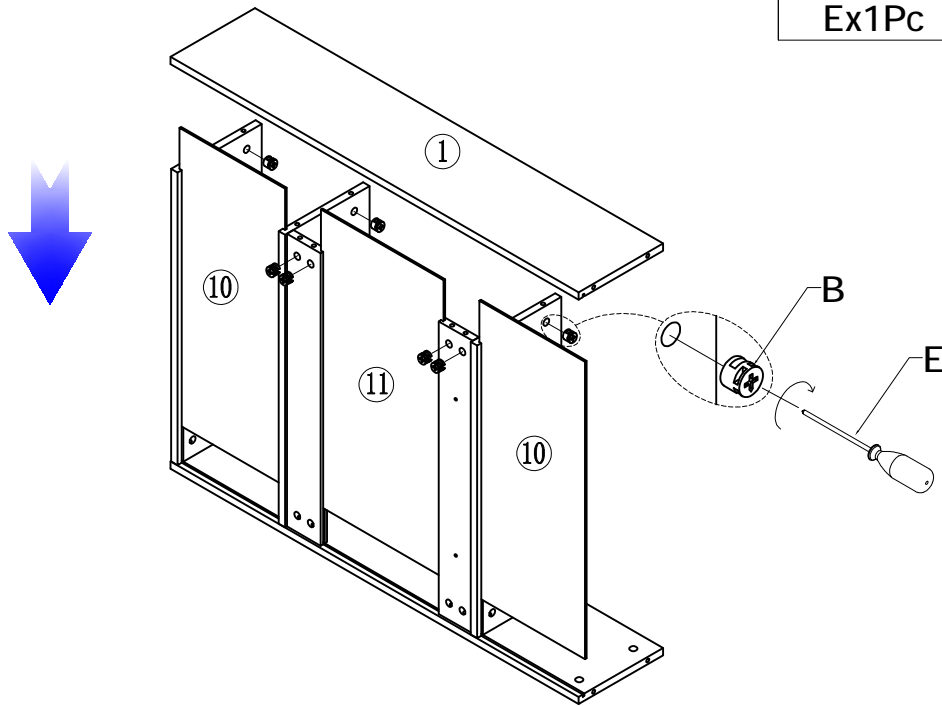
Step 3



Ex1Pc



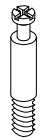
Bx10Pcs



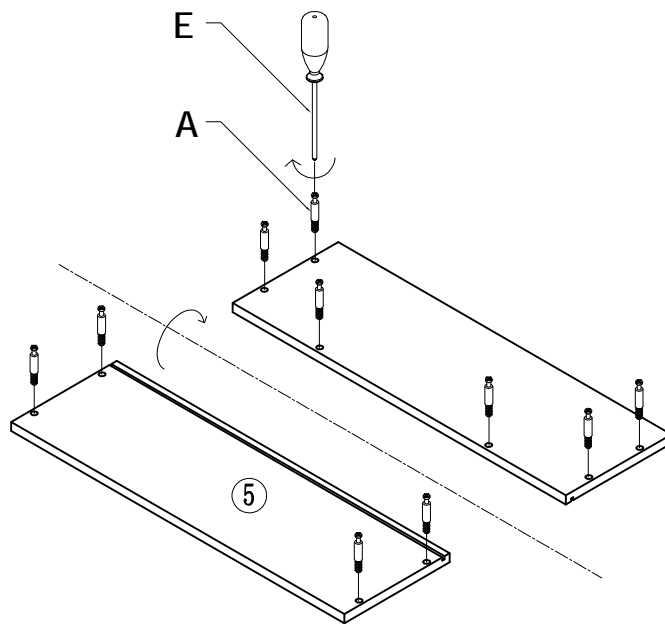
Step 4





Ex1Pc

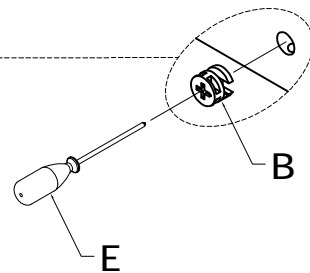
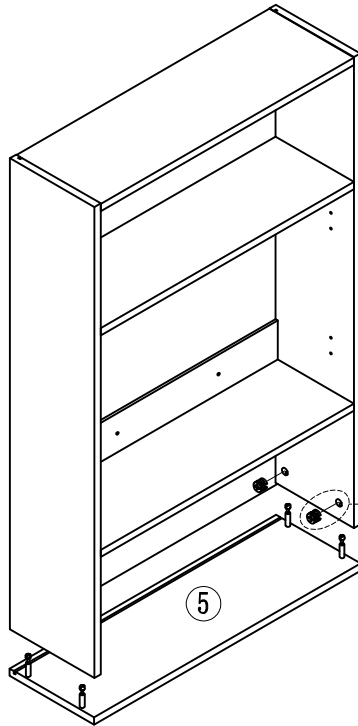


Ax10Pcs





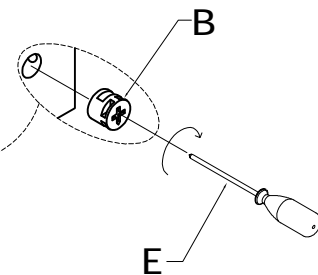
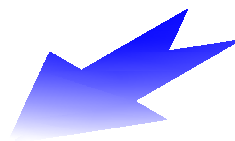
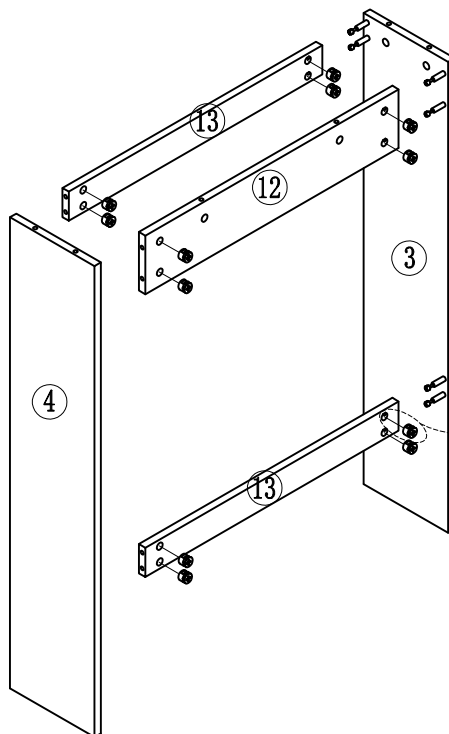
Step 5

	
Ex1Pc	Bx4Pcs





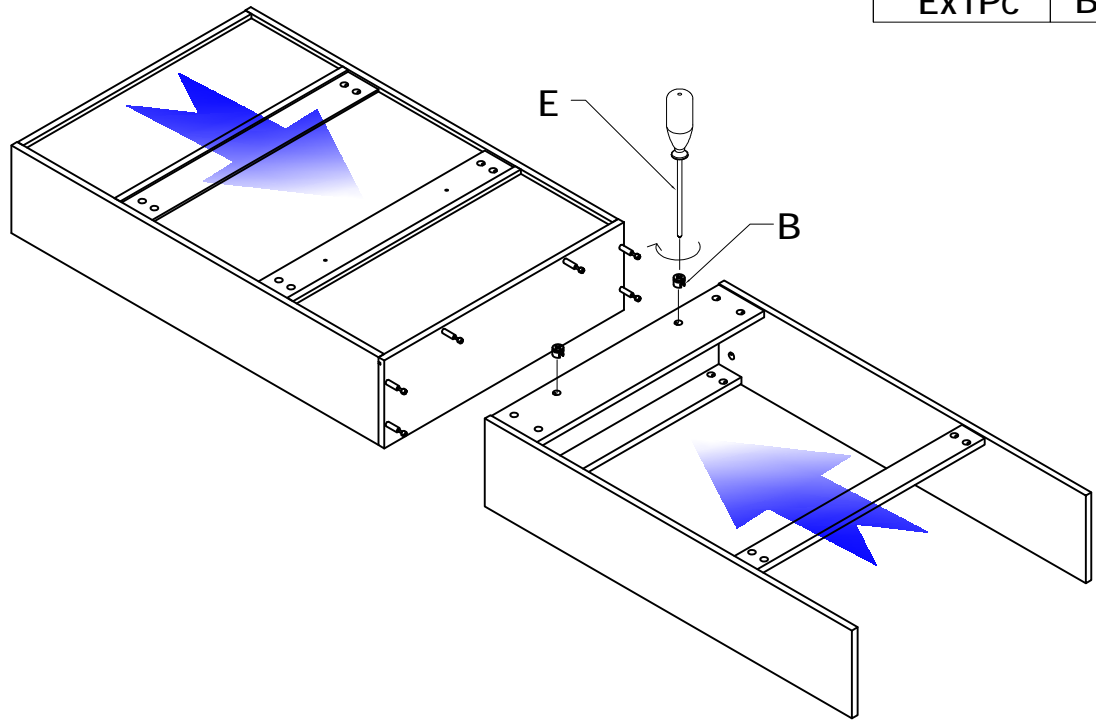
Step 6

	
Ex1Pc	Bx12Pcs




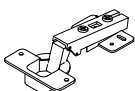



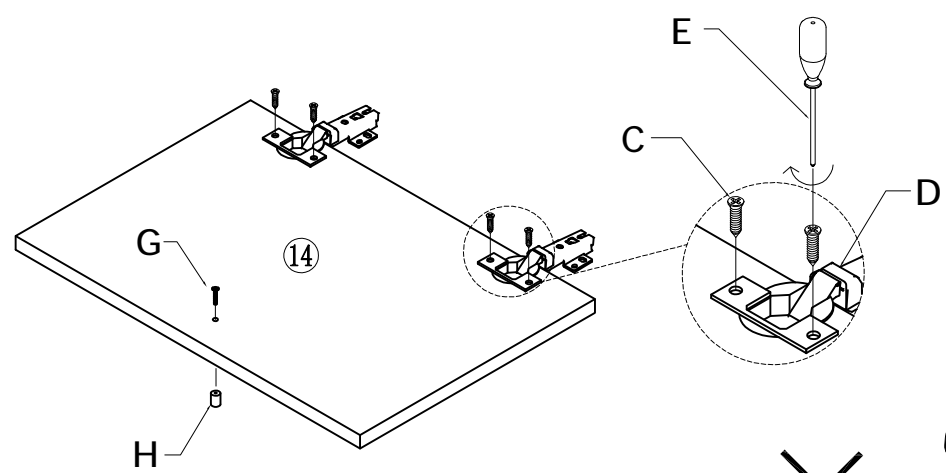
Step 7

	
Ex1Pc	Bx6Pcs





Step 8

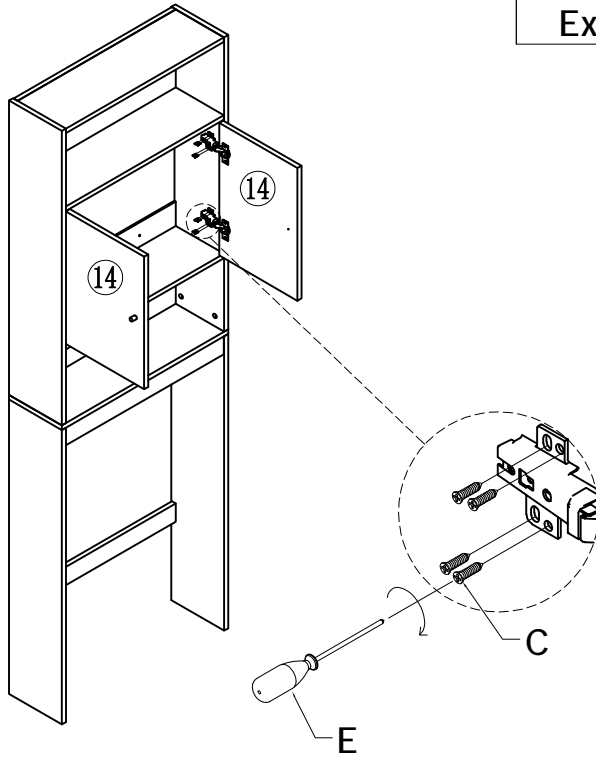
				
Ex1Pc	Hx2Pcs	M4x18 Gx2Pcs	Dx4Pcs	M4x14 Cx8Pcs




× 2

Step 9

	
Ex1Pc	M4x14
	Cx16Pcs



Step 10


Kx2Pcs

