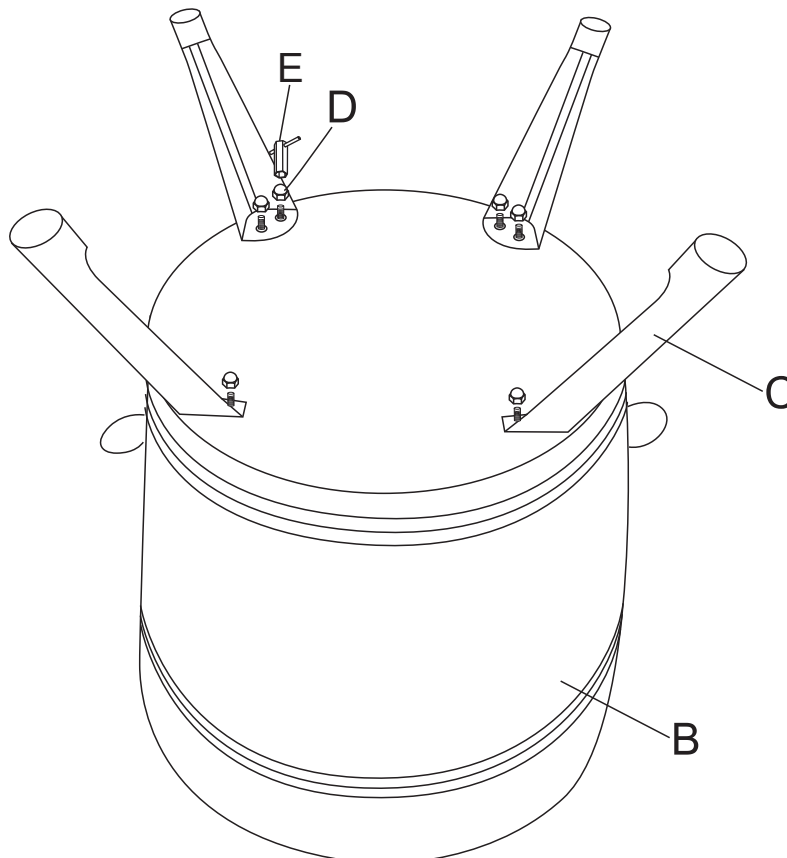


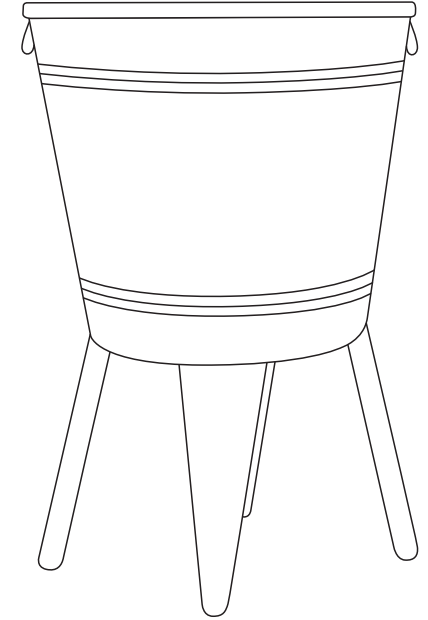
# Metal Accent Cocktail Table with wood top

**1**



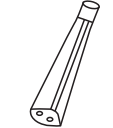




Please only tighten the screws 80%

**2**



Put the legs on the flat floor, then tighten the legs one by one until the table was stable.

Ax1	Bx1	Cx4	Dx8	Ex1
				

Dear Customer

Thanks for buying this beautiful storage table. Please read the Manual and find the spare parts in one yellow envelop first then to assemble it.

Whenever you have a problem with the assembling or quality issue, please contact with the shops where you buy it , we will support you for the spare parts or assembling instructions.

Please keep the wooden top dry when you do not using them , and avoid the sunshine, which will keep the table top more long-lasting for use.