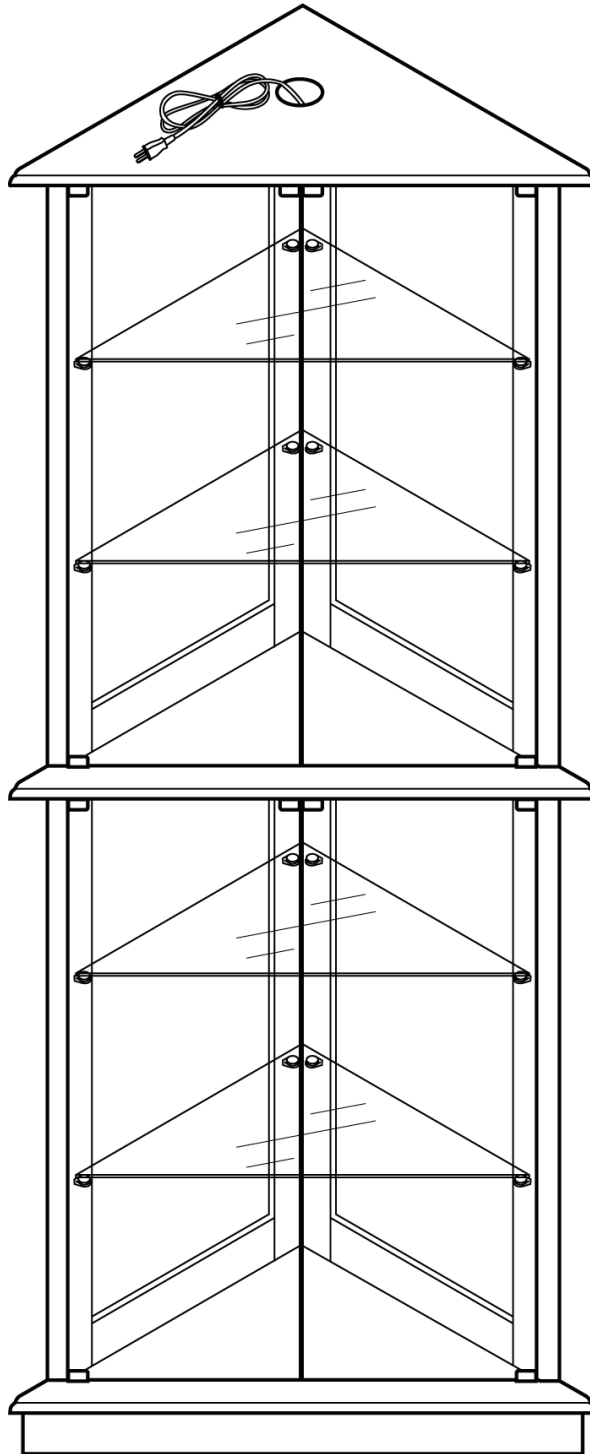
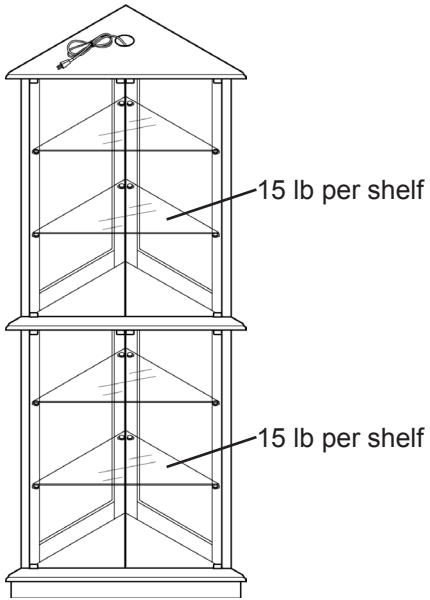


# Curio Cabinet





Estimated Time for Assembly

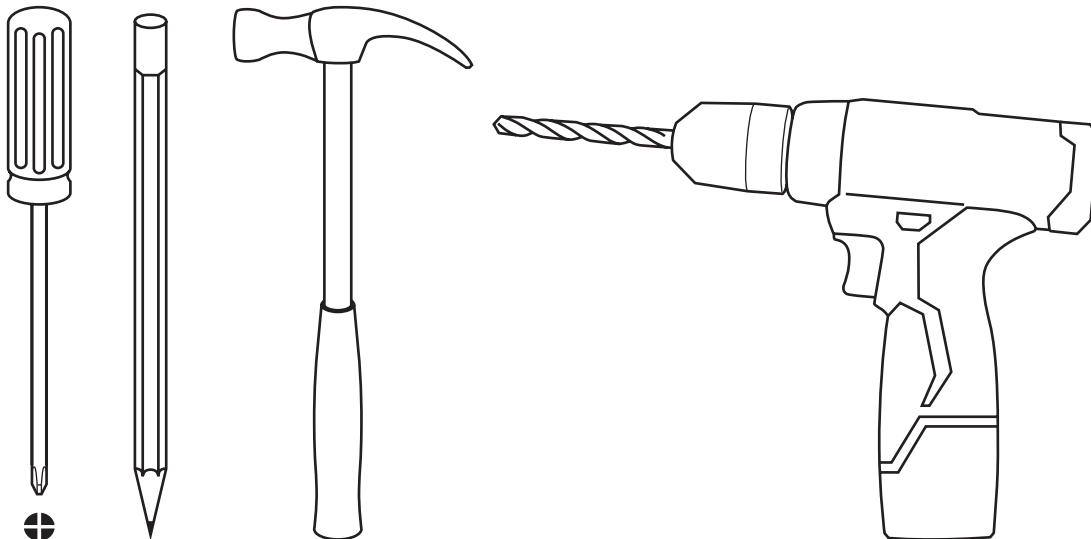
**70 min**

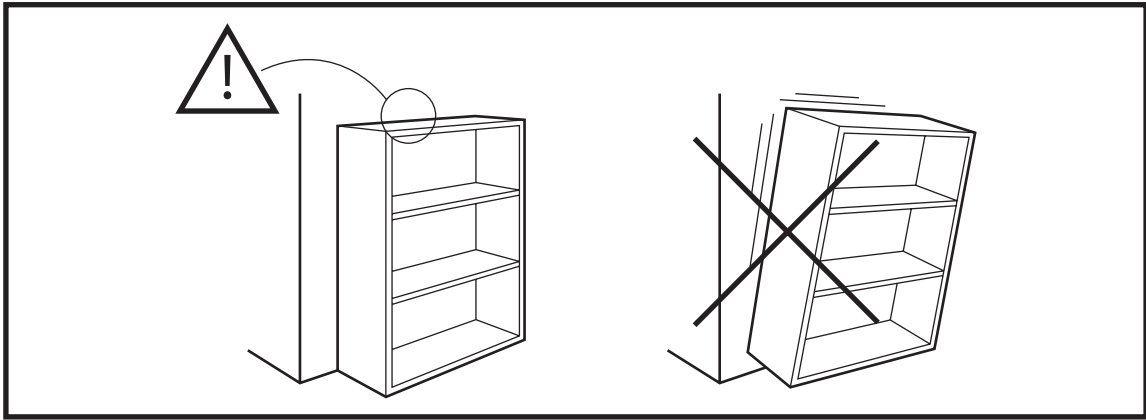


Weight Limitation

**90 lb** overall    **15 lb** per shelf

Tools Needed (Not included)

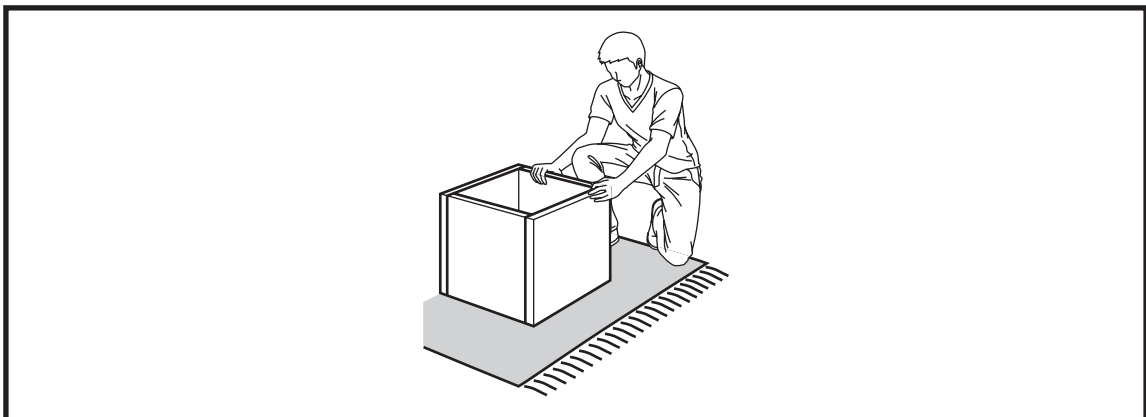




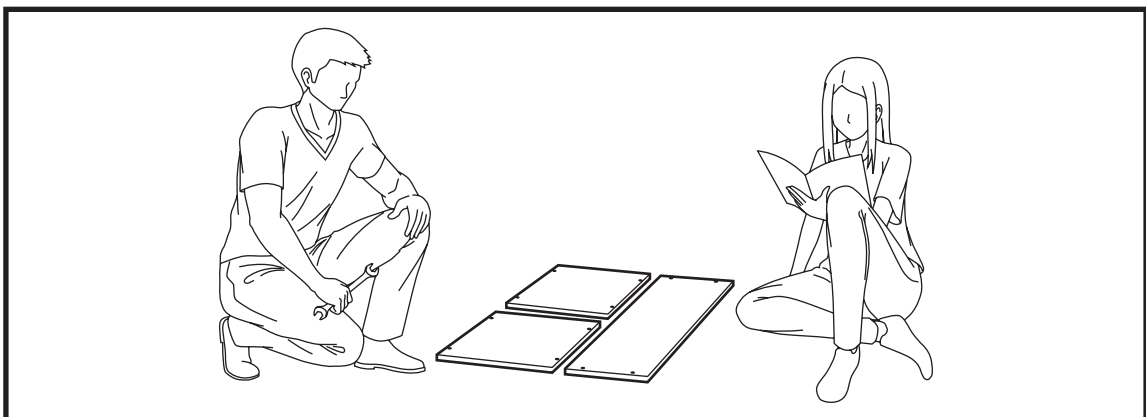
## Warning

Serious or fatal crushing injuries may occur if the furniture tip-over. Furniture must permanently fixed to the wall with included anti-tipping device to prevent the furniture from tipping over.

Different wall materials requires different types of fixing device, Use suitable fixing device to secure the stability and load bearing capacity of the furniture. If you are uncertain about which type of fixing device to use, please contact your local hardware store.



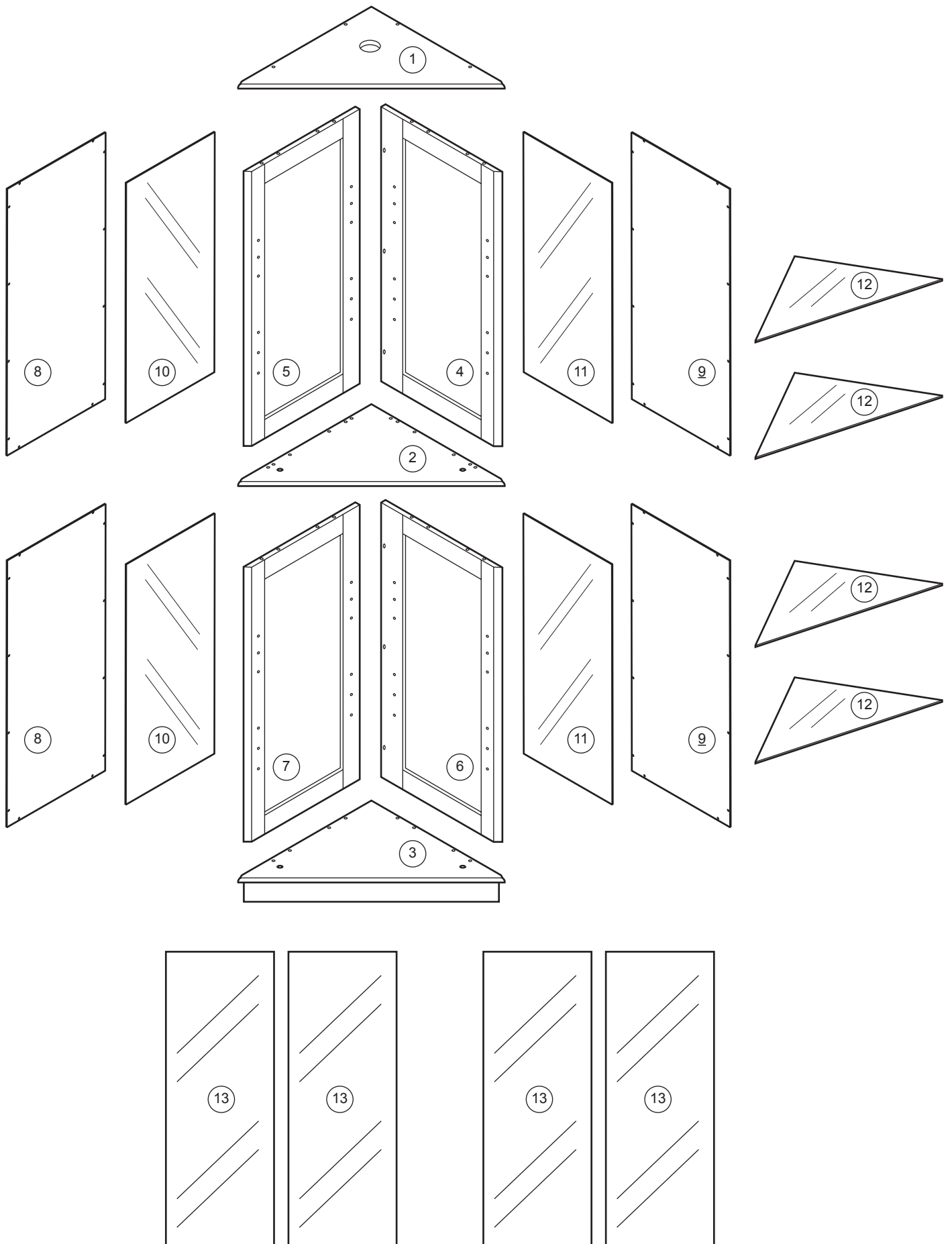
Assemble the furniture on empty carton, carpet, or rug to prevent scratches or damage.



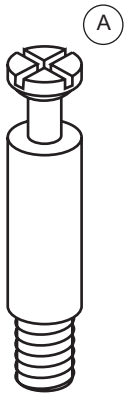
This furniture requires 2 people to assembly.

Make sure no parts are missing or damaged before assembly.

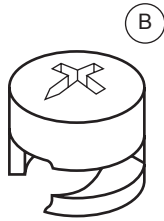
# PACKAGE CONTENT



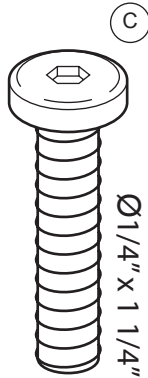
# PACKAGE CONTENT



8x +1



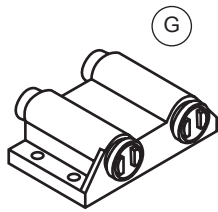
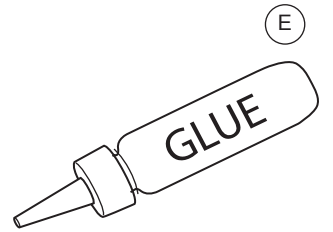
8x +1



14x +1



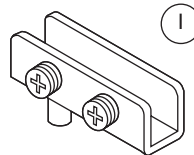
16x +1



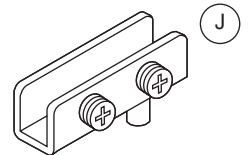
2x



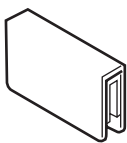
8x +1



4x



4x



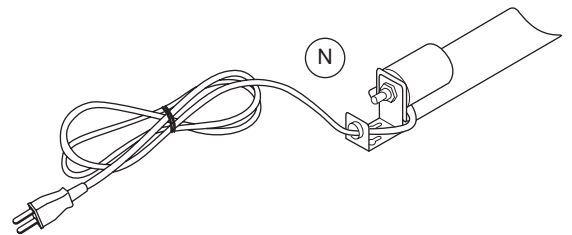
4x



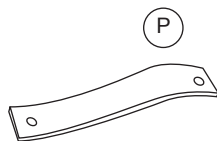
16x +1



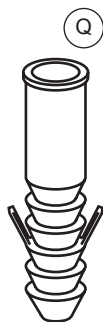
48x +2



2x



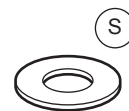
2x



2x

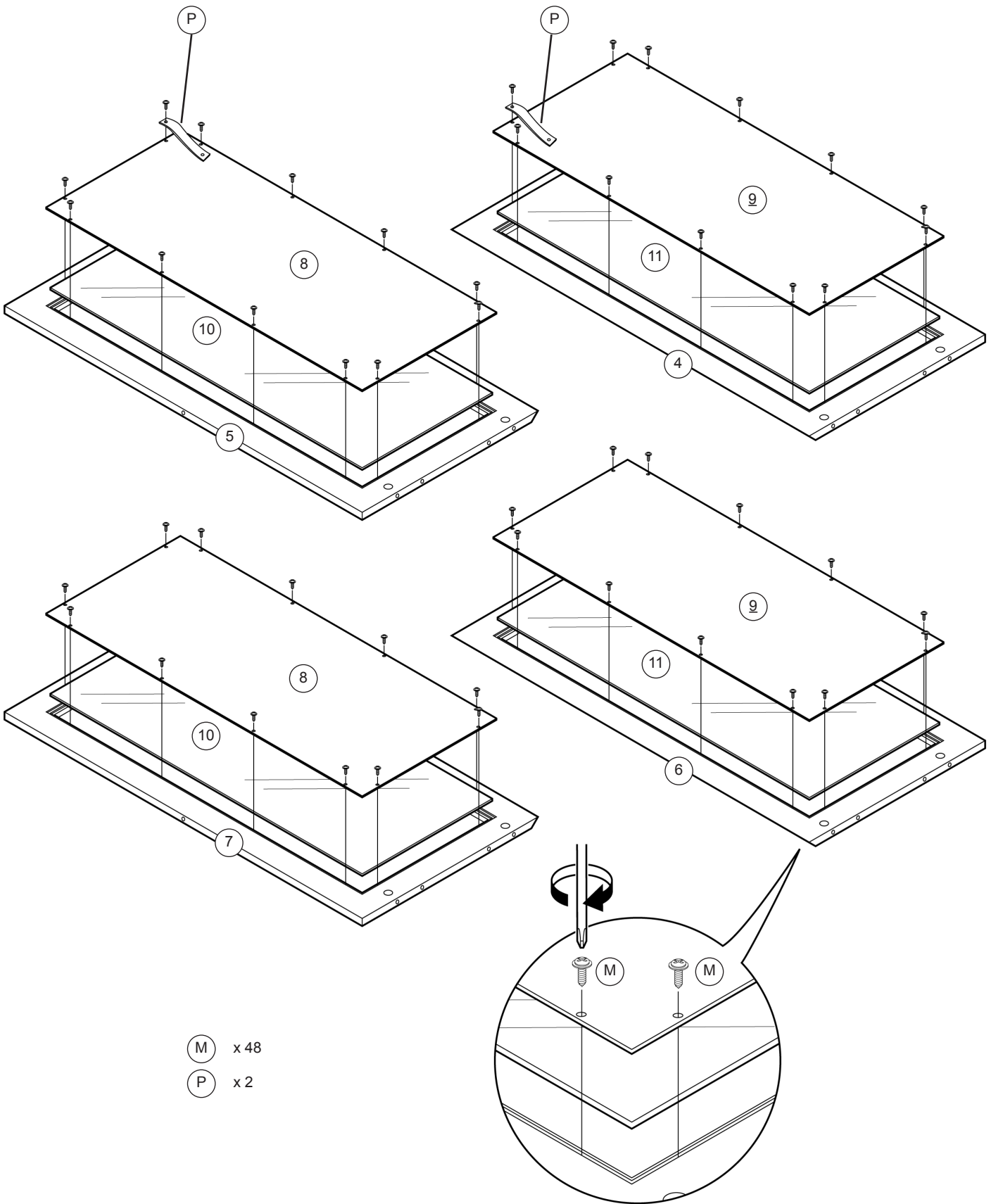


2x

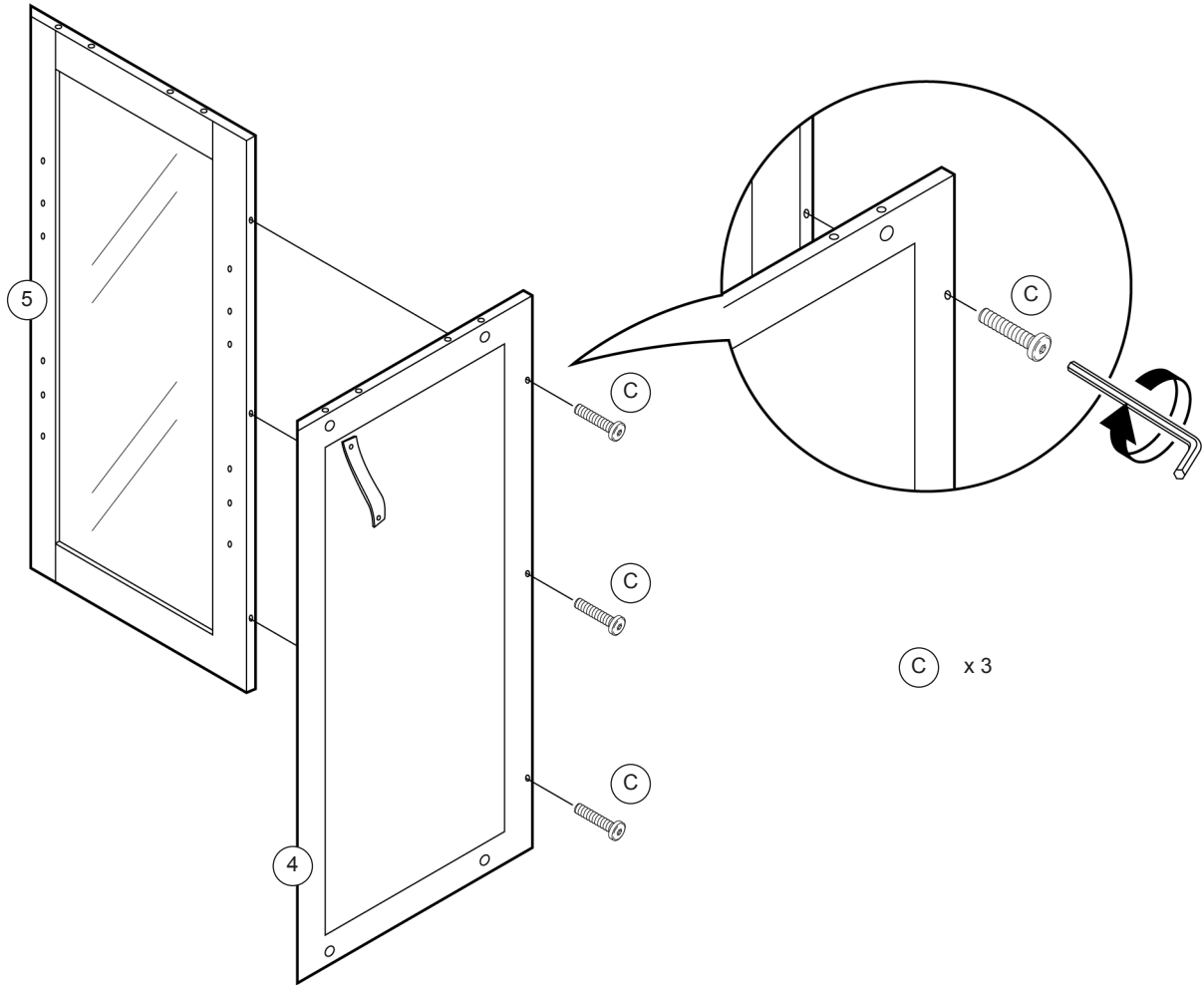


2x

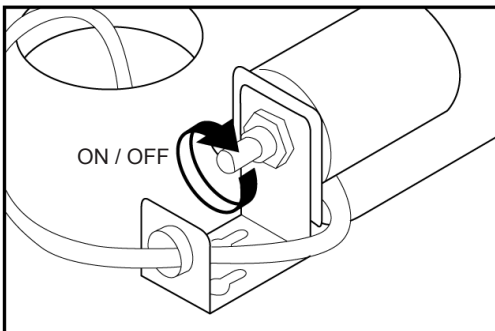
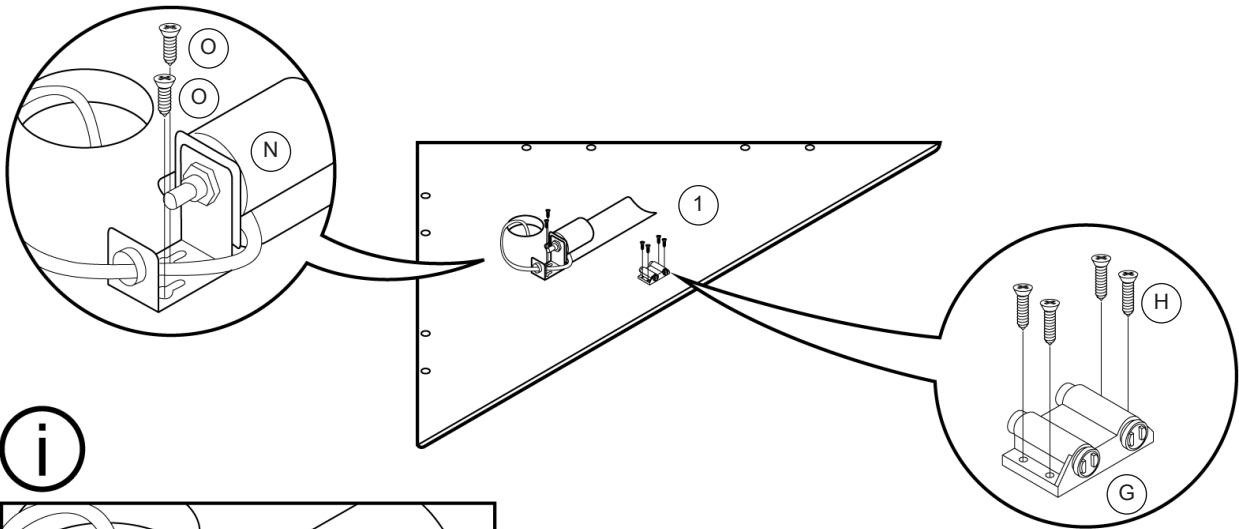
# 1



# 2



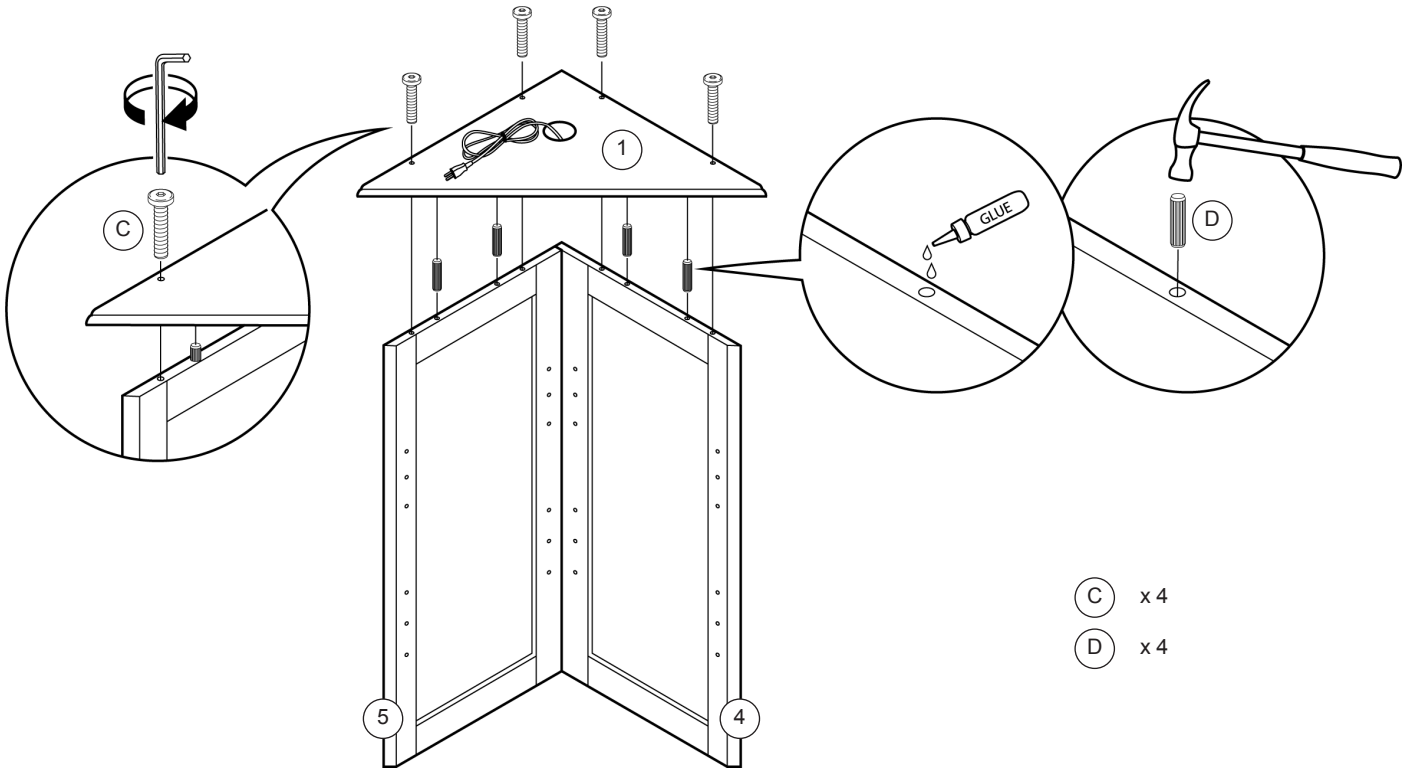
# 3



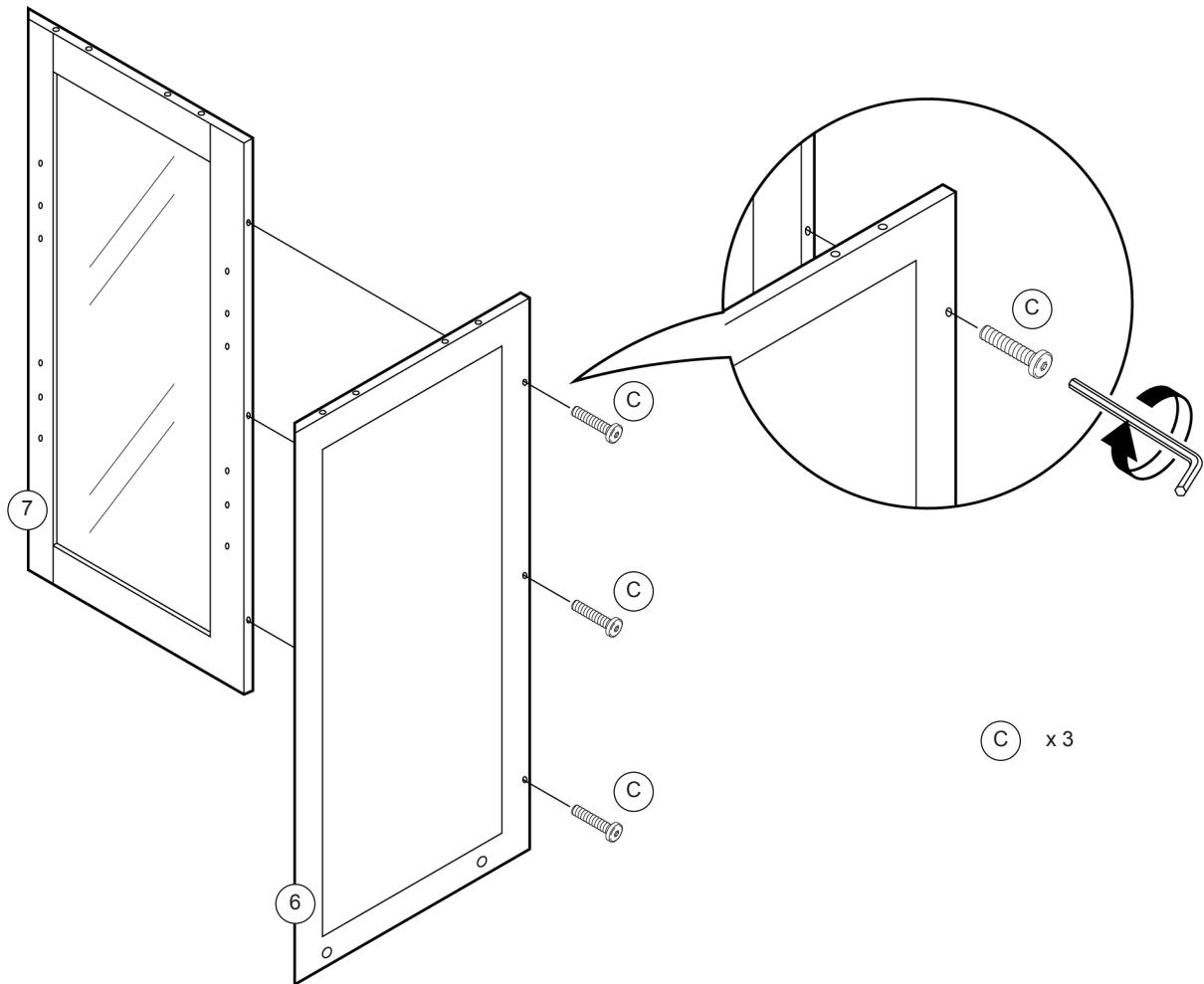
- (G) x 1
- (H) x 4
- (N) x 1
- (O) x 2

Recommended Light bulb: 120 V 25 W Type T bulb.  
\*Light bulb is not included.

# 4

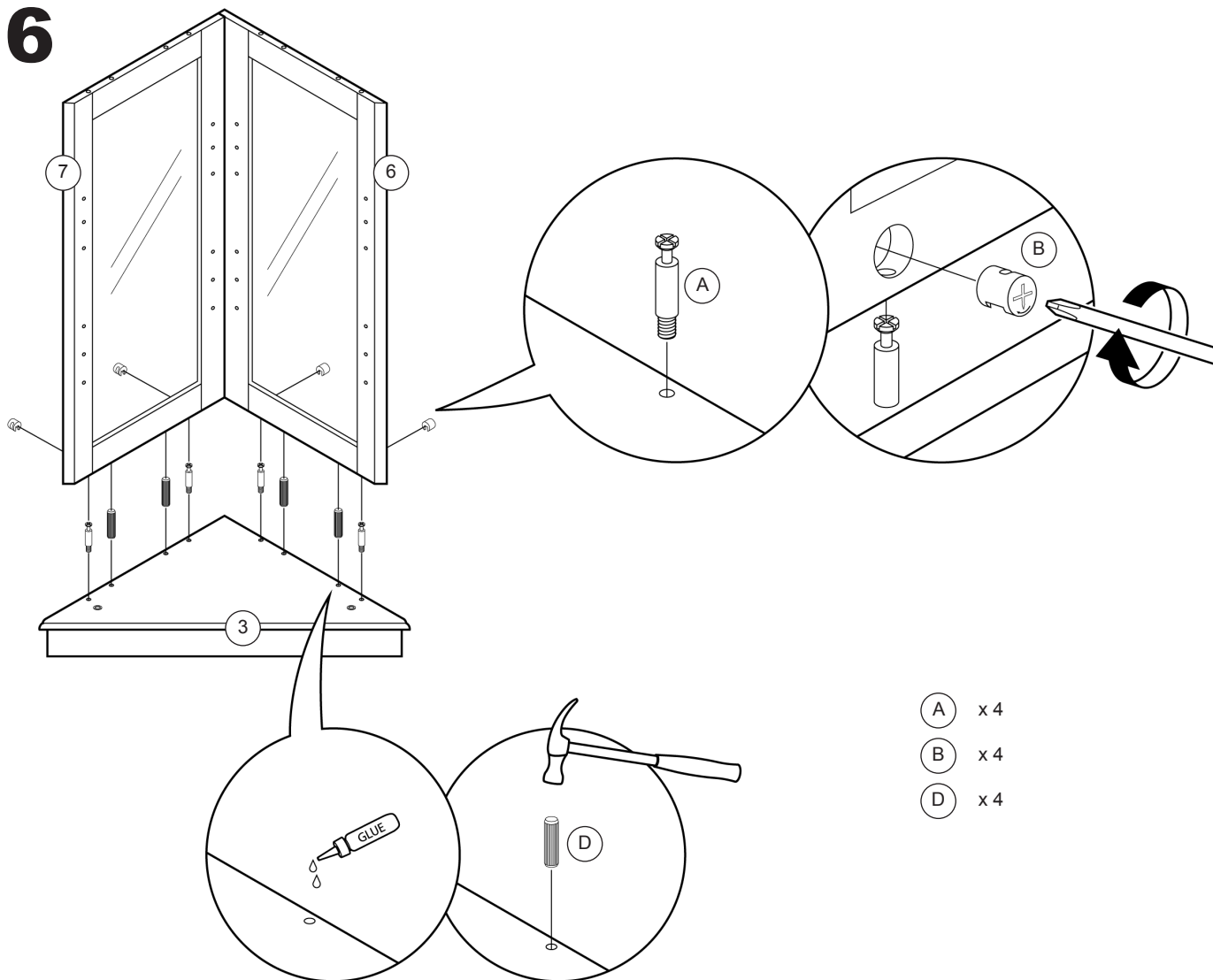


# 5



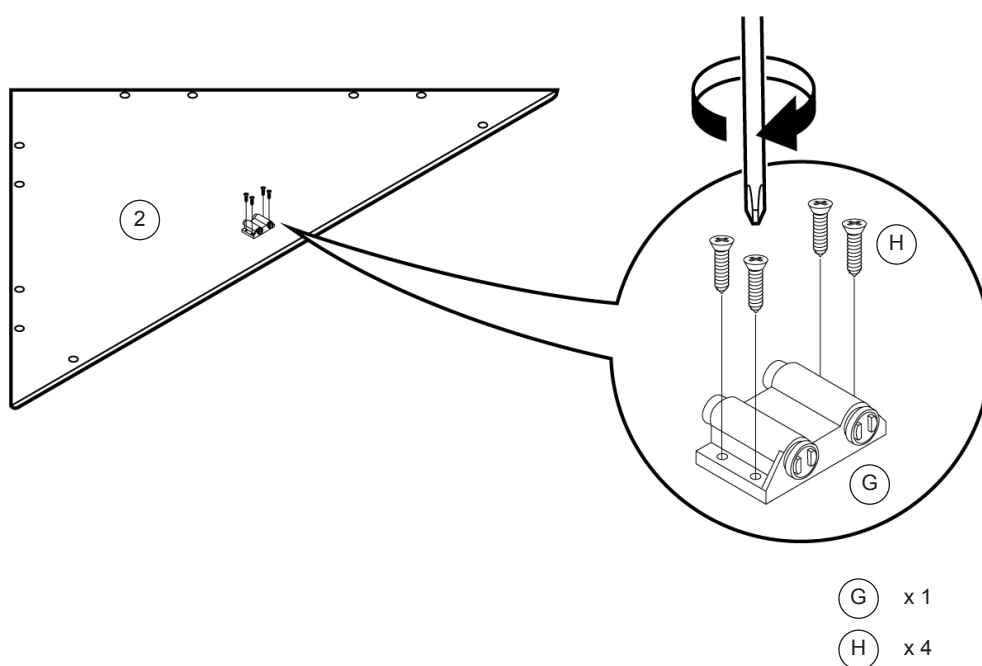


# 6

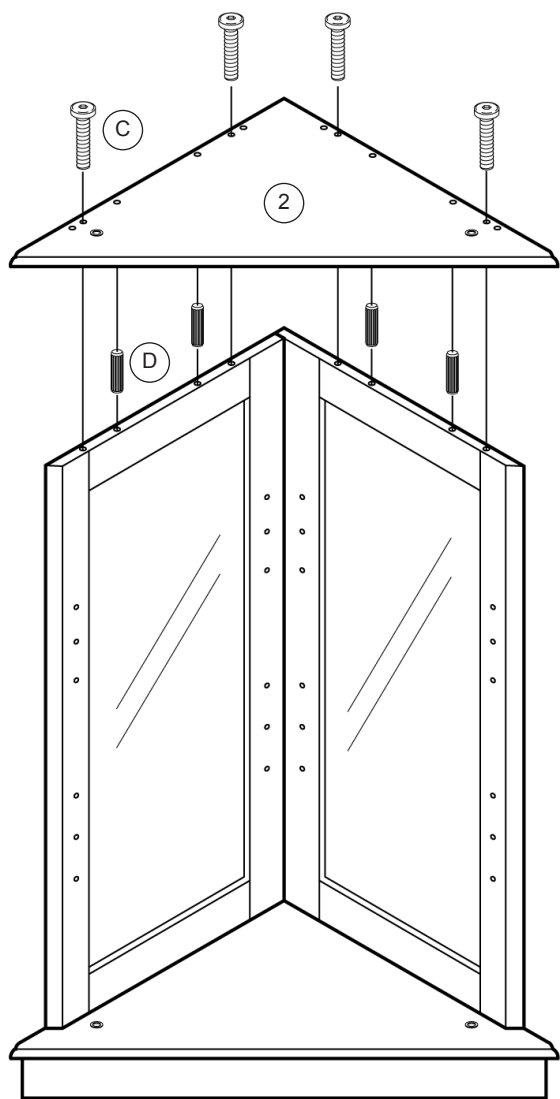


---

# 7

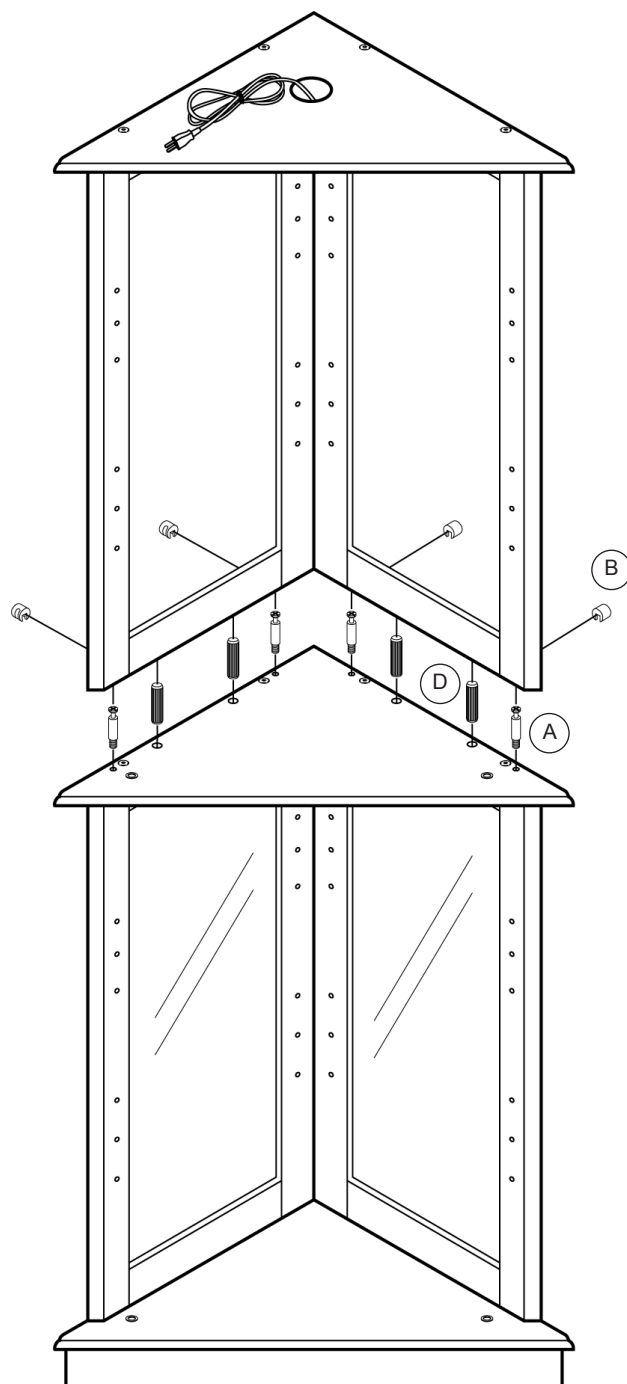


8



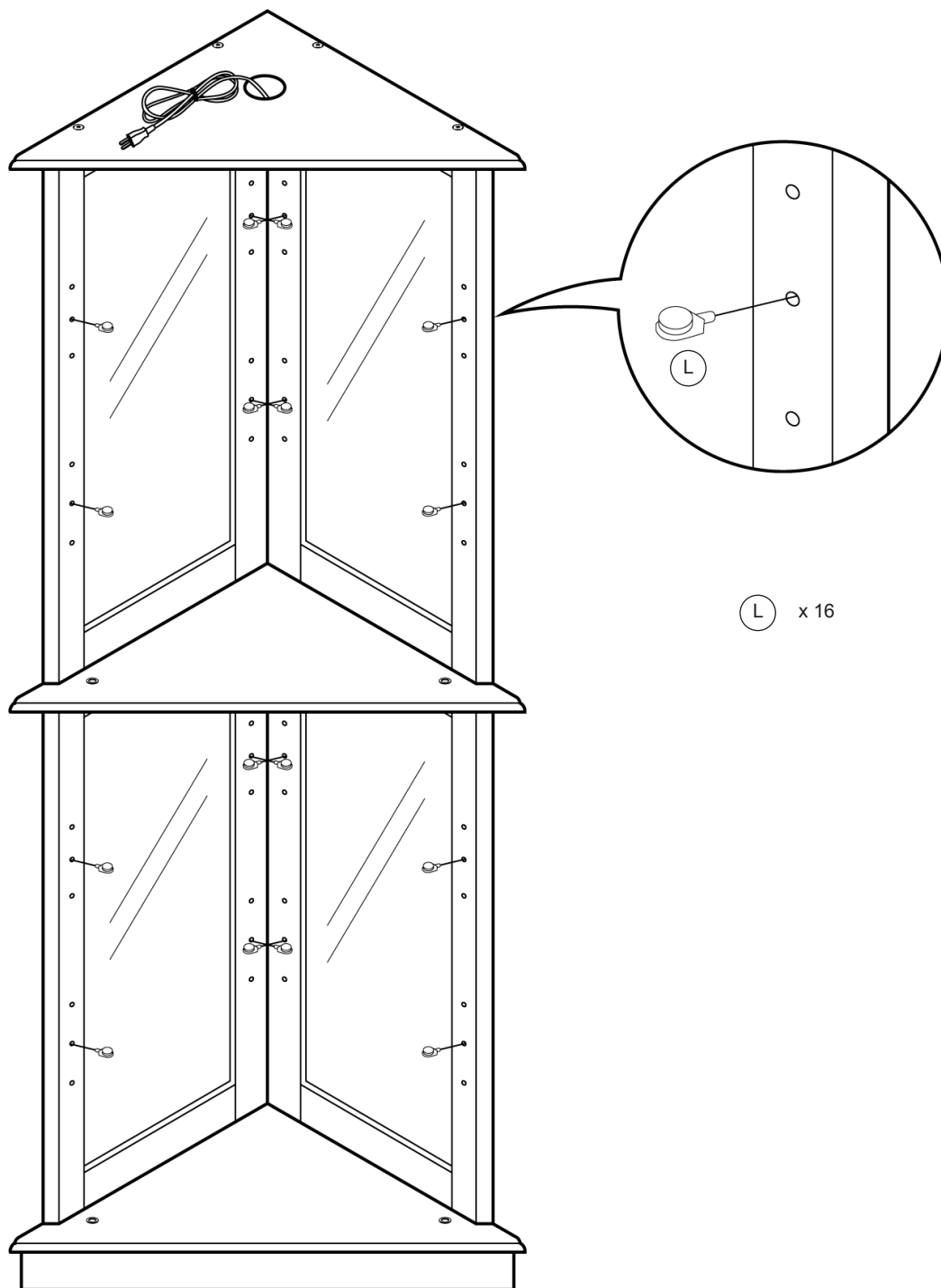
- (C) x4
- (D) x4

9

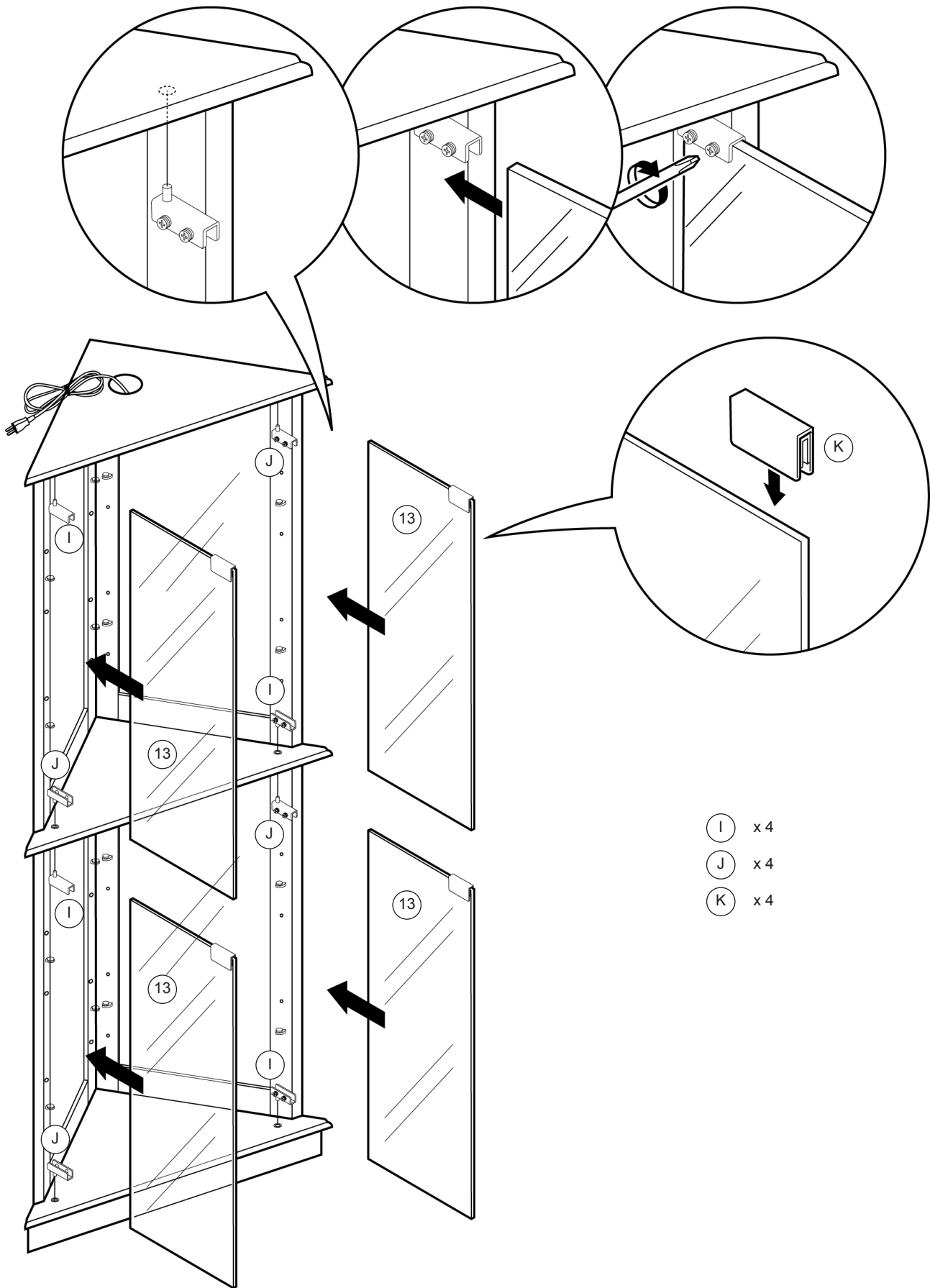


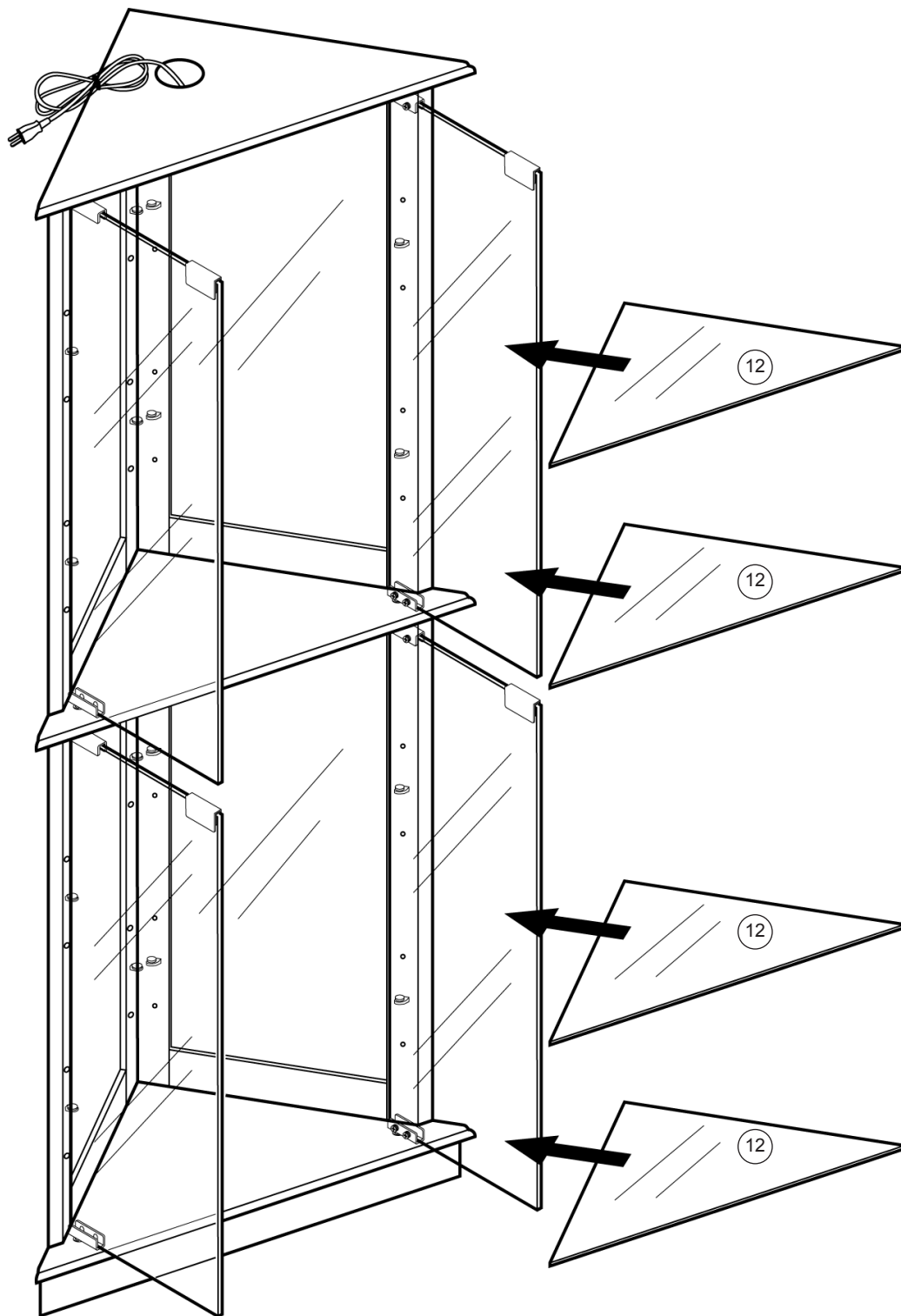
- (A) x4
- (B) x4
- (D) x4

# 10

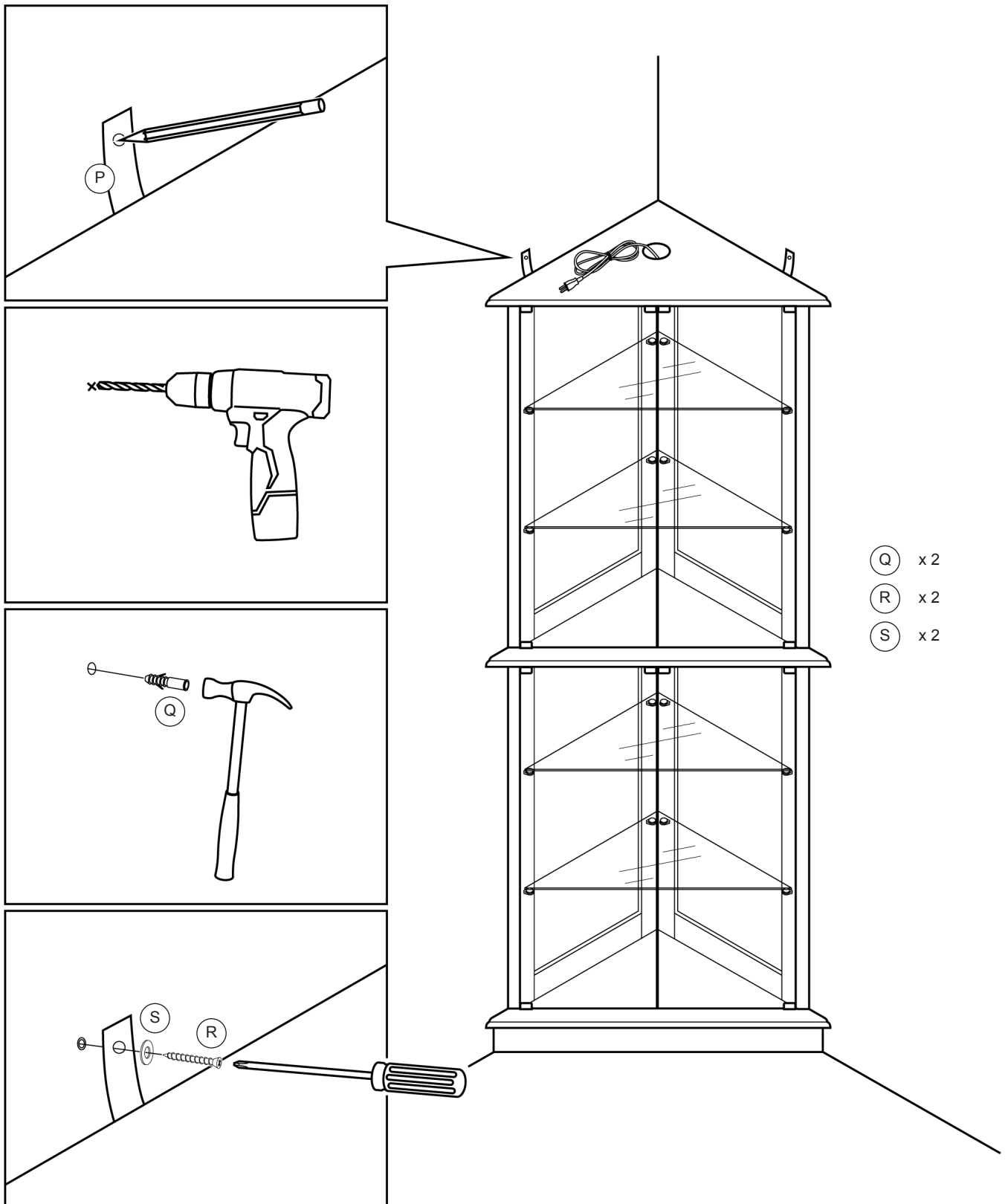


(L) x 16





# 13



**FINISH!**