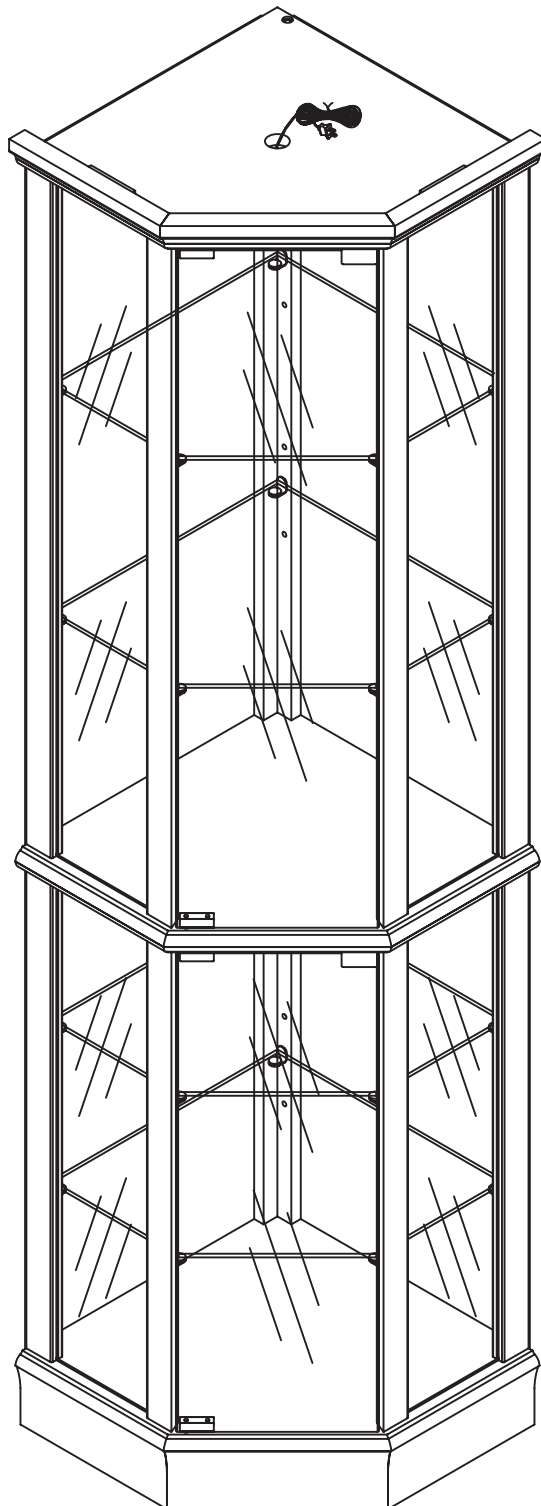
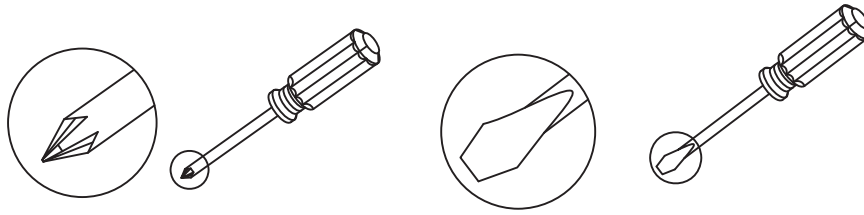


# ASSEMBLY INSTRUCTIONS

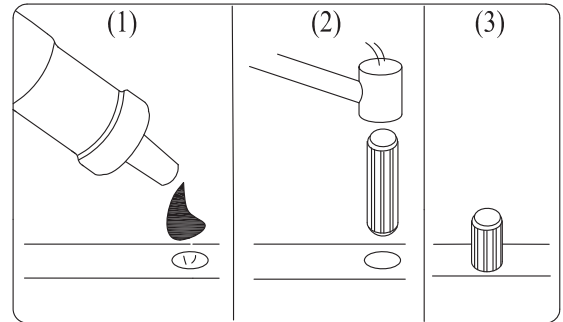


# ASSEMBLY TOOLS REQUIRED (NOT INCLUDED)

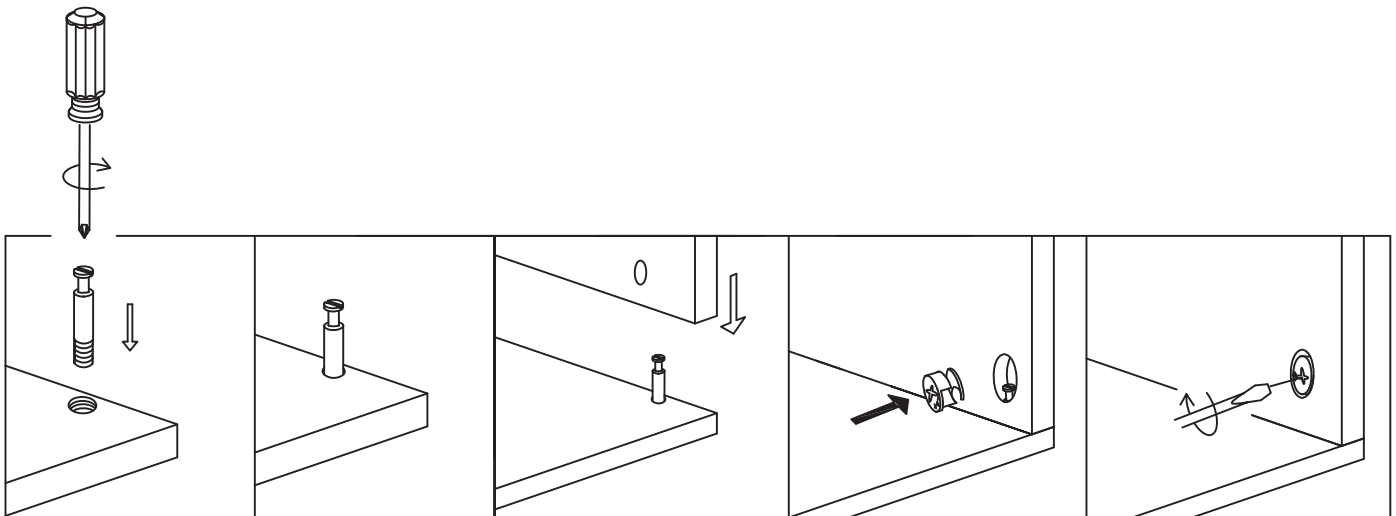


## WOODEN DOWEL INSTALLATION PROCEDURE

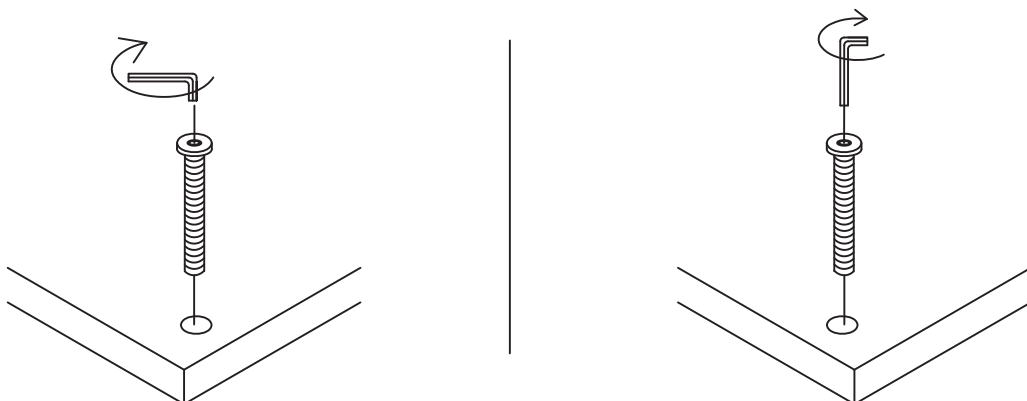
- (1) FILL HOLE 1/4 FULL OF GLUE.
- (2) GENTLY TAP DOWEL INTO HOLE WITH RUBBER MALLET OR USE HAND PRESS IN.  
DO NOT USE HAMMER
- (3) WIPE AWAY EXCESS GLUE.



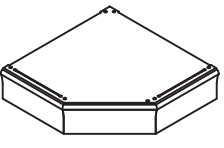
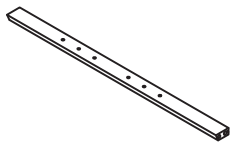
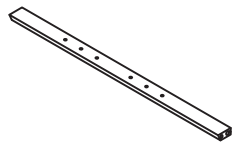
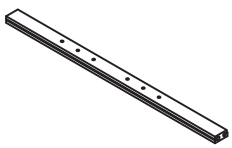
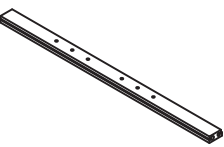
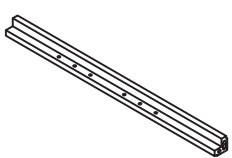
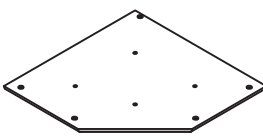
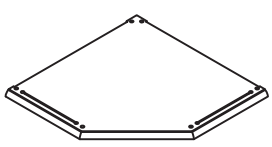
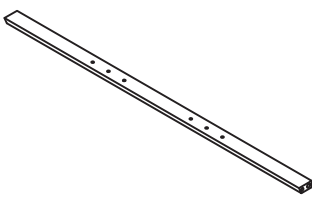
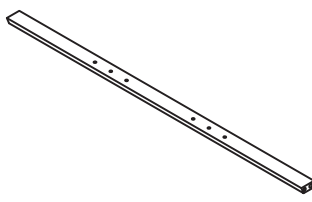
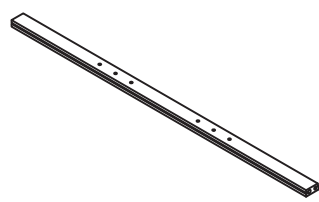
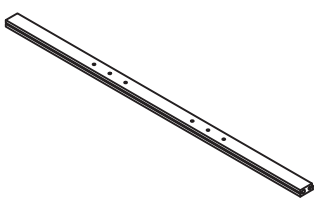
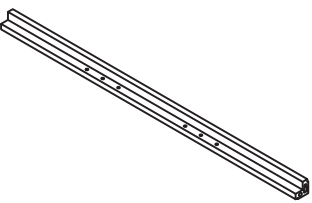
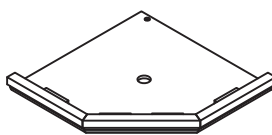

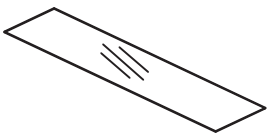
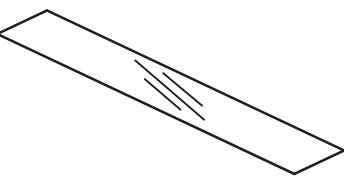
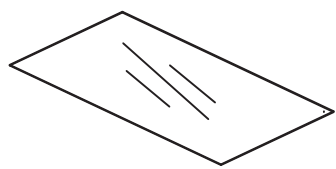
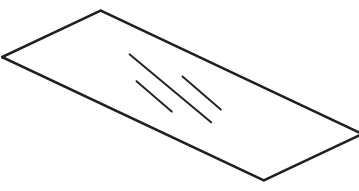
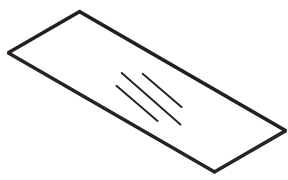
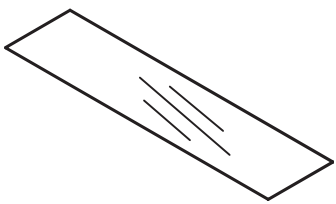
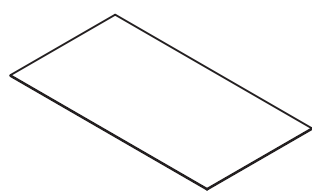
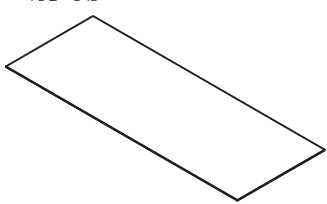
## HIDDEN CONNECTOR.....ASSEMBLY TECHNIQUES



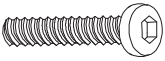



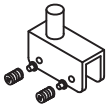
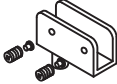

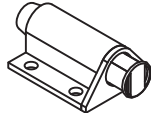

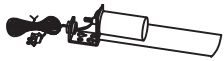

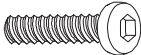


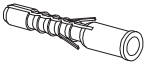


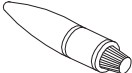
## MACHINE SCREW INSTALLATION PROCEDURE



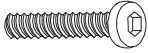


# Parts List

<p>1:Bottom Frame -1Pc</p> 	<p>2:Lower Left Front Crosspiece-1Pc</p> 	<p>3:Lower Right Front Crosspiece-1Pc</p> 	<p>4:Lower Left Back Crosspiece-1Pc</p> 
<p>5:Lower Right Back Crosspiece-1Pc</p> 	<p>6:Lower Back Pole -1Pc</p> 	<p>7:Lower Top Panel -1Pc</p> 	<p>8:Upper Bottom panel-1Pc</p> 
<p>9:Upper Left Front Crosspiece-1Pc</p> 	<p>10:Upper Right Front Crosspiece-1Pc</p> 	<p>11:Upper Left Back Crosspiece-1Pc</p> 	<p>12:Upper Right Back Crosspiece-1Pc</p> 
<p>13:Upper Back Pole -1Pc</p> 	<p>14:Upper Top Frame -1Pc</p> 	<p>15:Glass Shelves-4Pcs</p> 	<p>16:Lower Side Glass -2Pcs</p> 
<p>17:Upper Side Glass -2Pcs</p> 	<p>18:Lower Back Mirror -2Pcs</p> 	<p>19:Upper Back Mirror -2Pcs</p> 	<p>20:Lower Door Glass -1Pc</p> 
<p>21:Upper Door Glass -1Pc</p> 	<p>22:Lower Back panel -2Pcs</p> 	<p>23:Upper Back Panel -2Pcs</p> 	

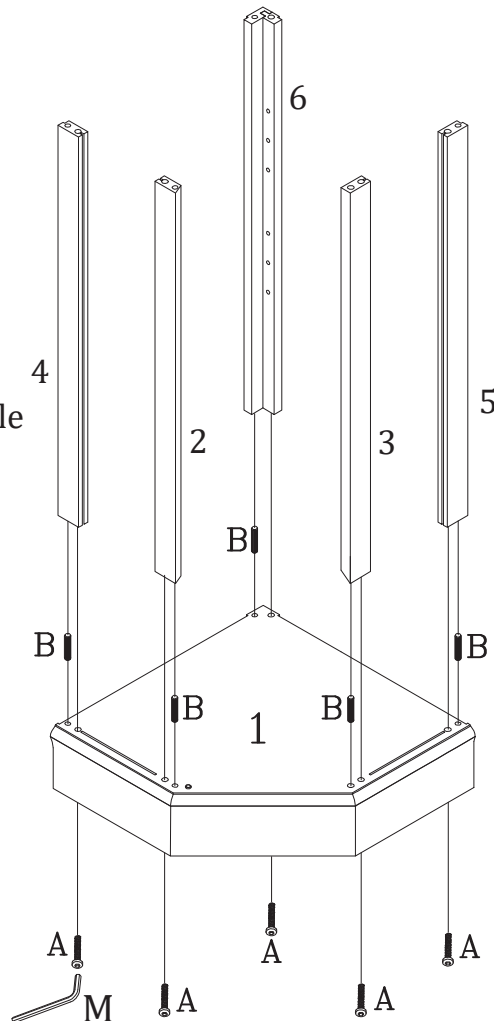
# Hardware List

<b>A:Machine Screw 20Pcs</b>  $\phi 1/4'' \times 1 1/8''$	<b>B:Wood Dowel 20Pcs</b>  $\phi 6 \times 30 \text{mm}$	<b>C:Flat Head Screw 2Pcs</b>  $\phi 3 \times 12 \text{mm}$	<b>D:Round Head Screw 68Pcs</b>  $\phi 3 \times 12 \text{mm}$	<b>E:Door Clip A 2Sets</b> 
<b>F:Door Clip B 2Sets</b> 	<b>G:Metal Clip 2Sets</b> 	<b>H:Magnet 2Pcs</b> 	<b>I:Shelf Support 20Pcs</b> 	<b>J:Banana Lamp 1Pc</b> 
<b>K:Wood Dowel 2Pcs</b>  $\phi 8 \times 20 \text{mm}$	<b>L:Machine Screw 2Pcs</b>  $\phi 1/4'' \times 3/4''$	<b>M: Allen Wrench 1Pc</b> 	<b>N: Safety Wall Strap 2Pcs</b> 	<b>O: Plastic Anchor 2Pcs</b> 
<b>P: Mounting Screw 2Pcs</b>  $\phi 4 \times 38 \text{mm}$	<b>Q: Washer 2Pcs</b> 	<b>R: Glue 1 Pc</b> 		





## STEP 1

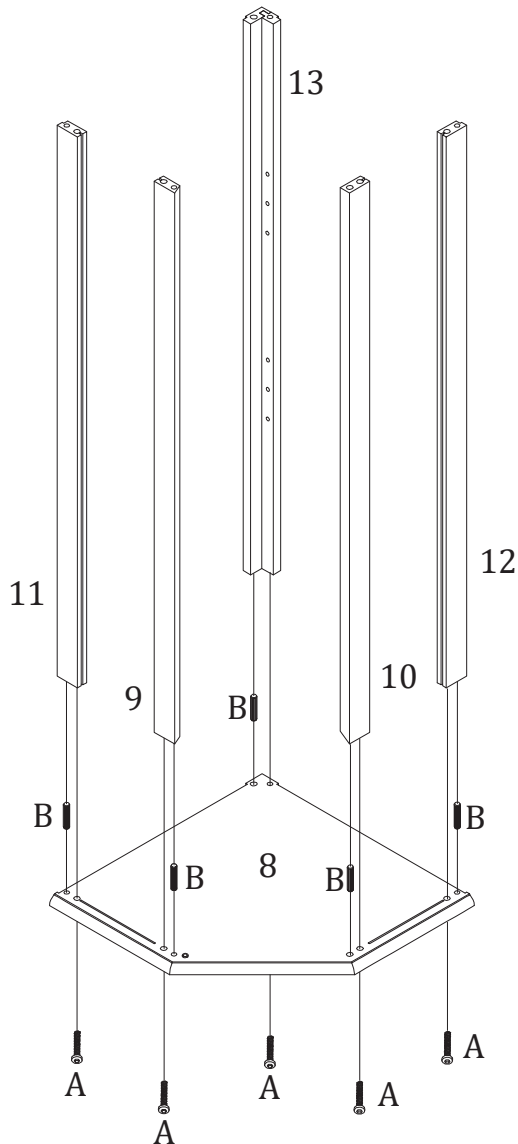
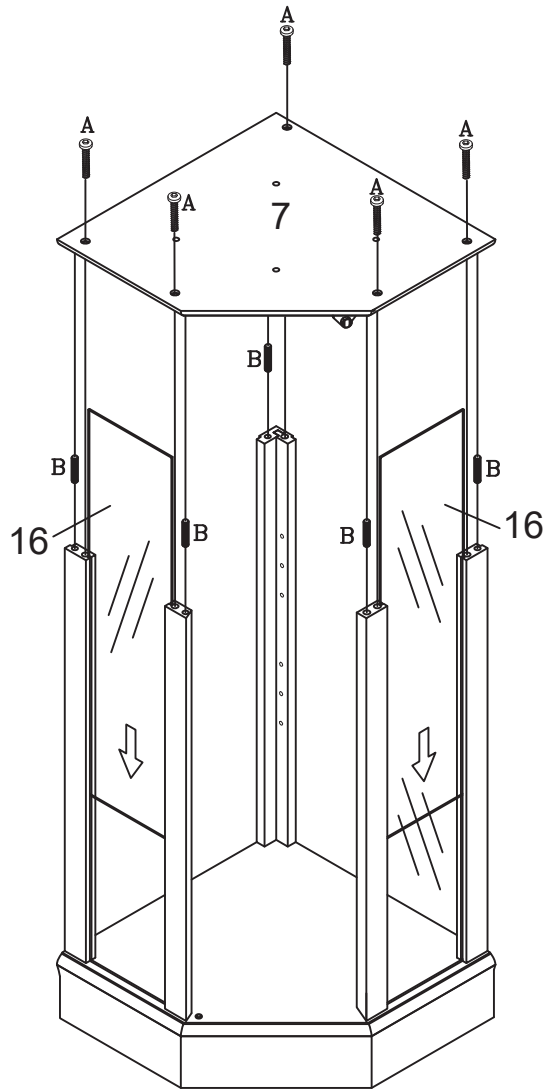
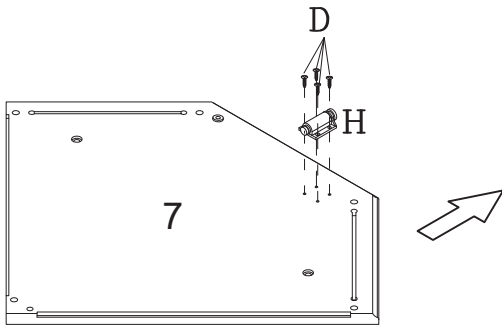
A		5
B		5
M		1

Put the bottom frame on a worktable in horizontal, keep the crosspieces stand on the base, then to assemble it.





## STEP 2

A		5
B		5
D		4
H		1



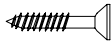
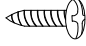

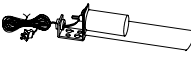


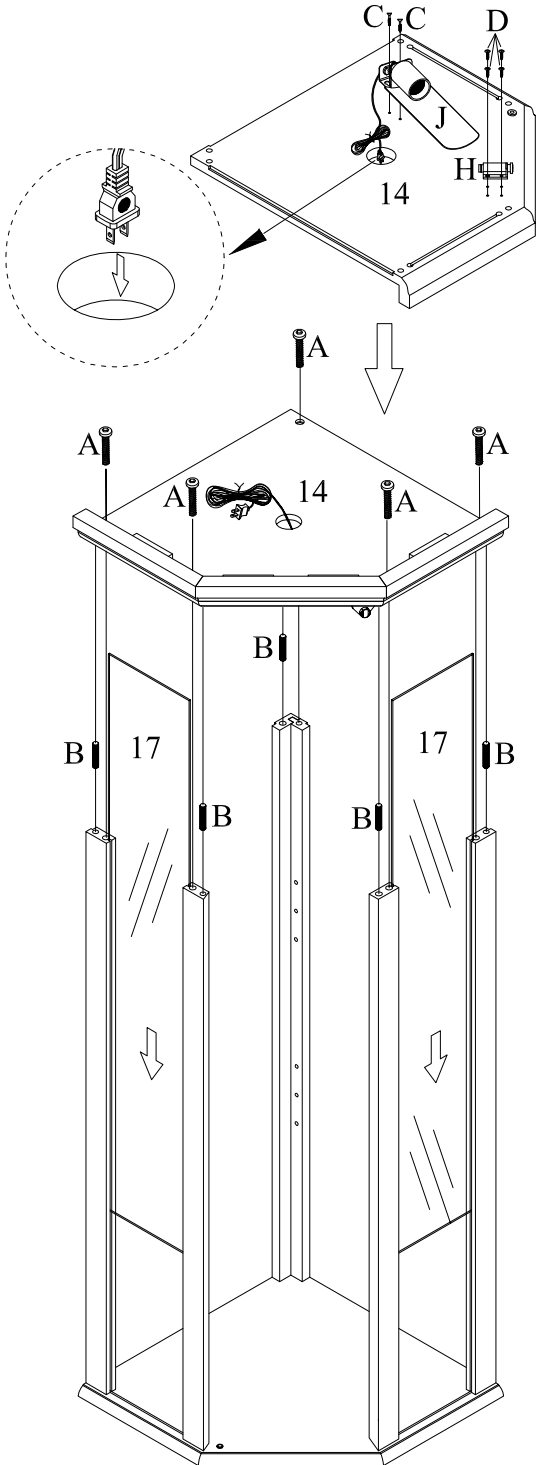
## STEP 3

A		5
B		5

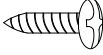

Put the upper bottom panel on a worktable in horizontal, keep the crosspieces stand on the base, then to assemble it.

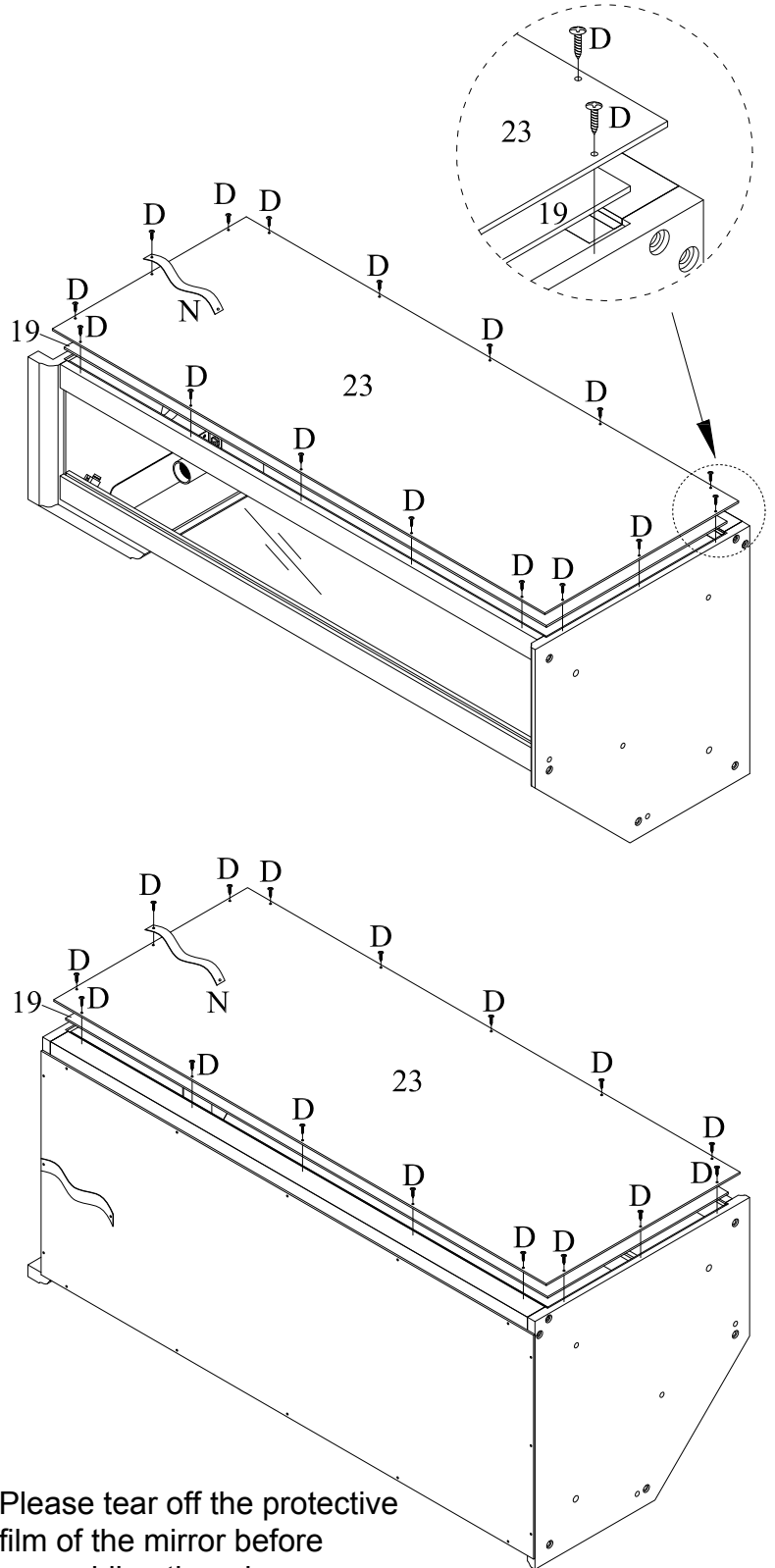
## STEP 4

A		5
B		5
C		2
D		4
H		1
J		1



## STEP 5


D		32
N		2

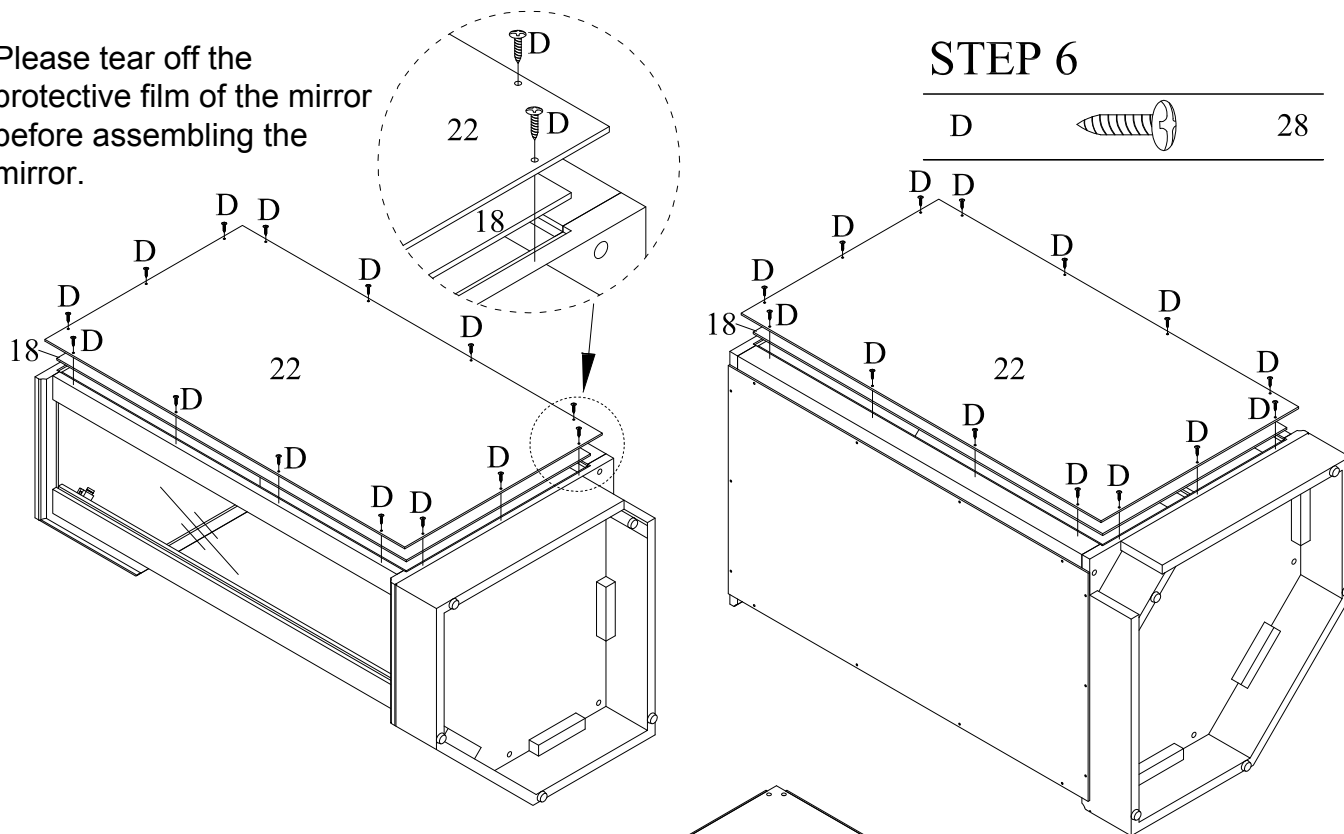


Please tear off the protective film of the mirror before assembling the mirror.



Please tear off the protective film of the mirror before assembling the mirror.

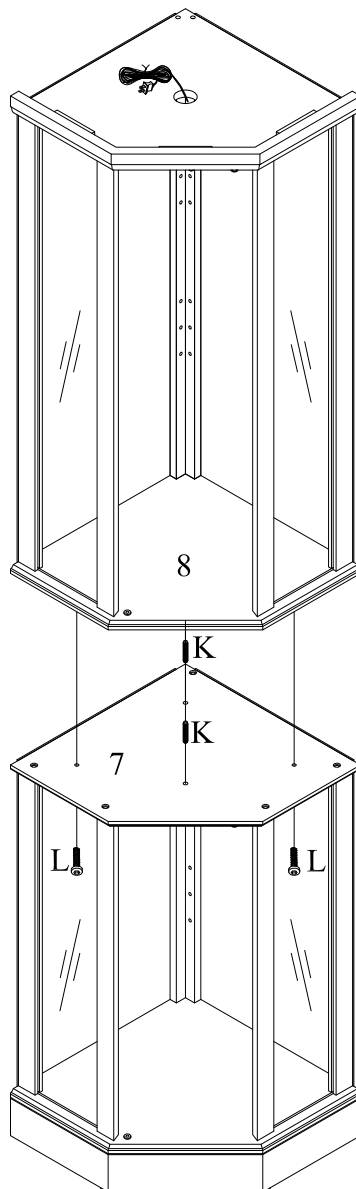
## STEP 6

D		28
---	---	----






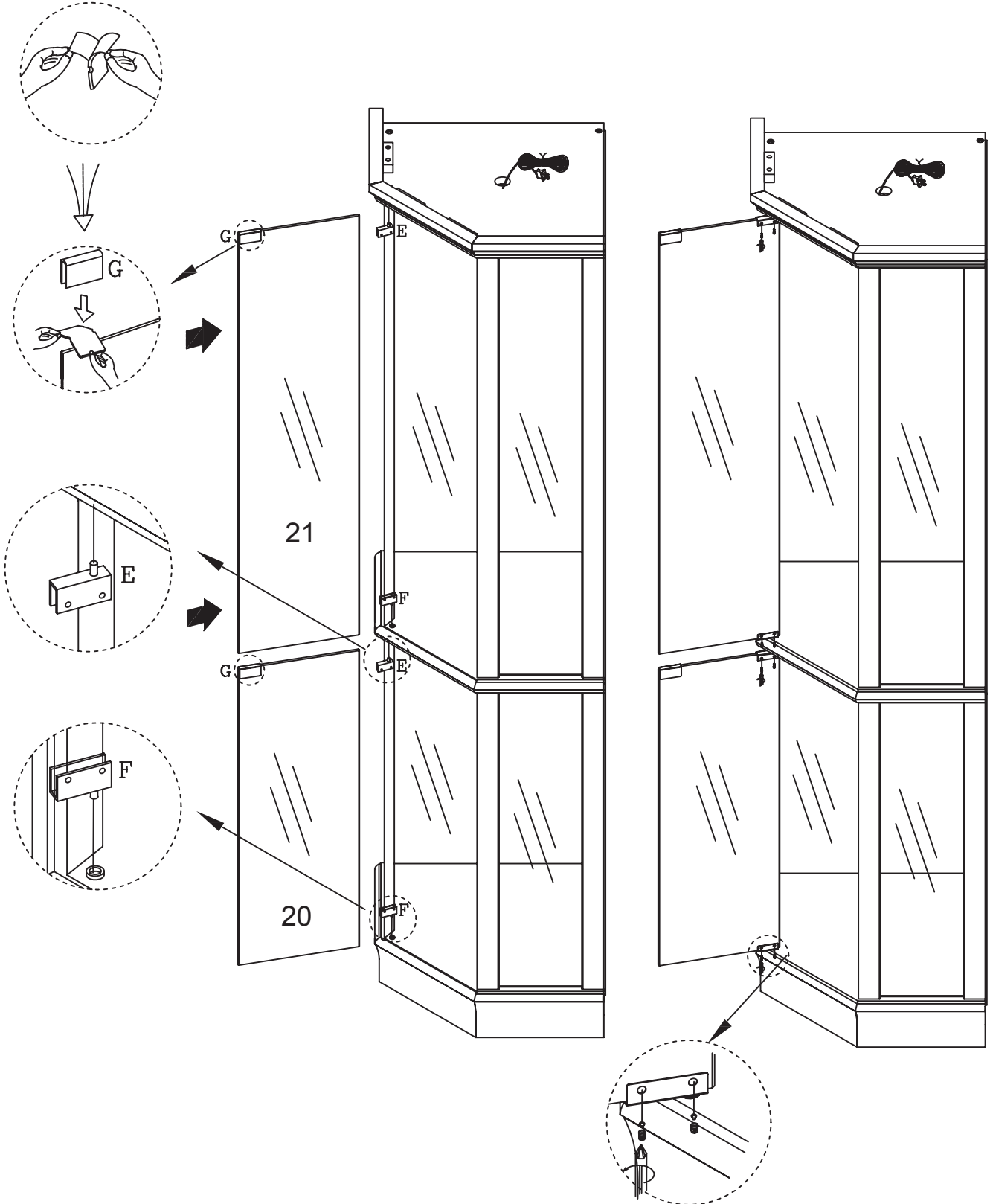
## STEP 7

L		2
K		2



# STEP 8

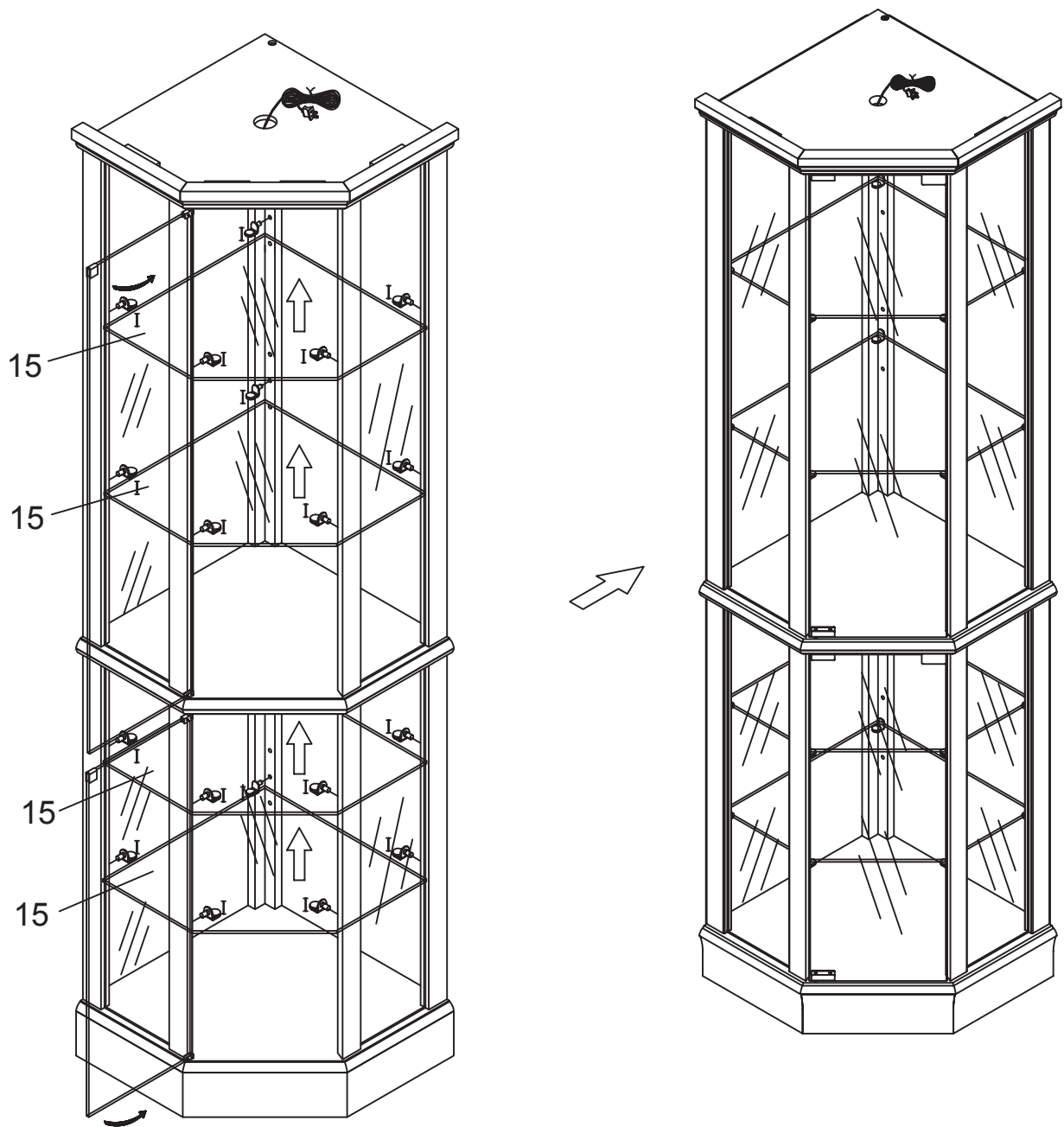
E		2
F		2
G		2



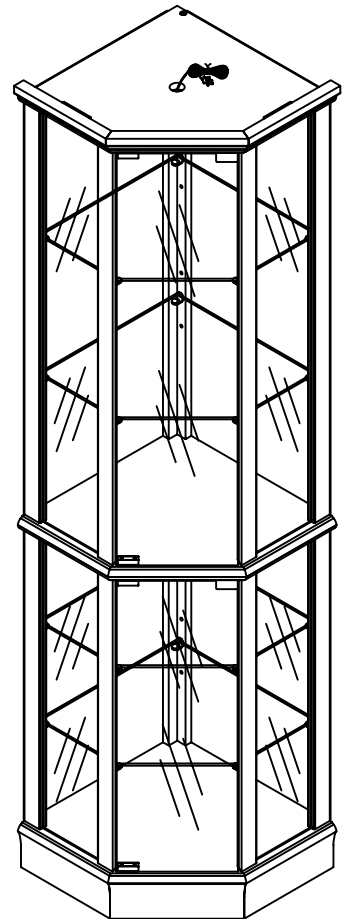
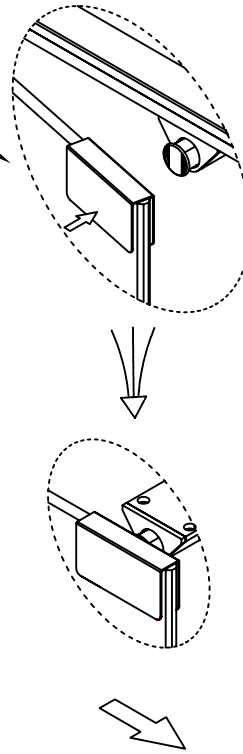
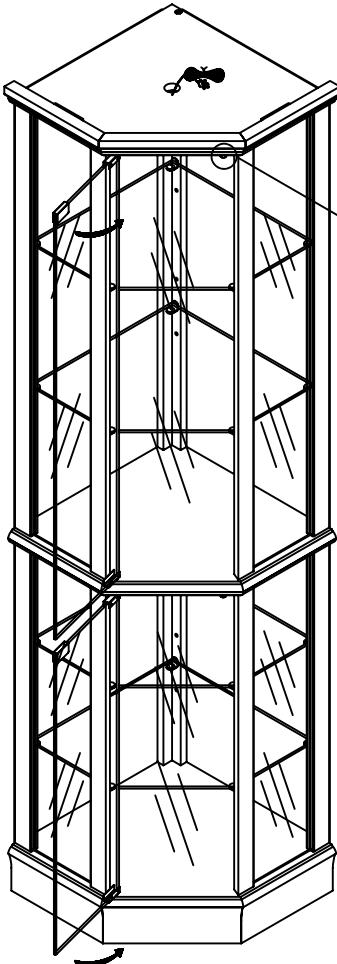
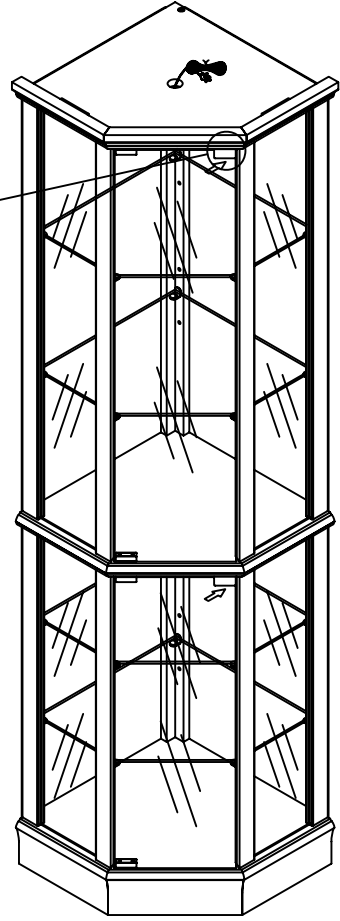
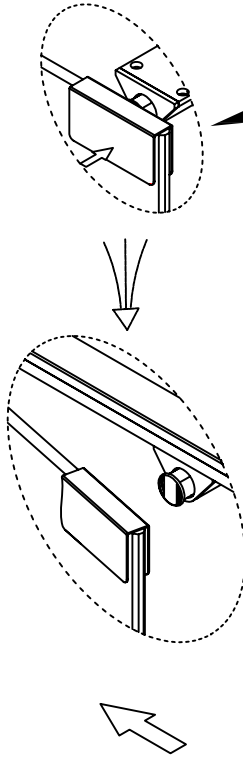
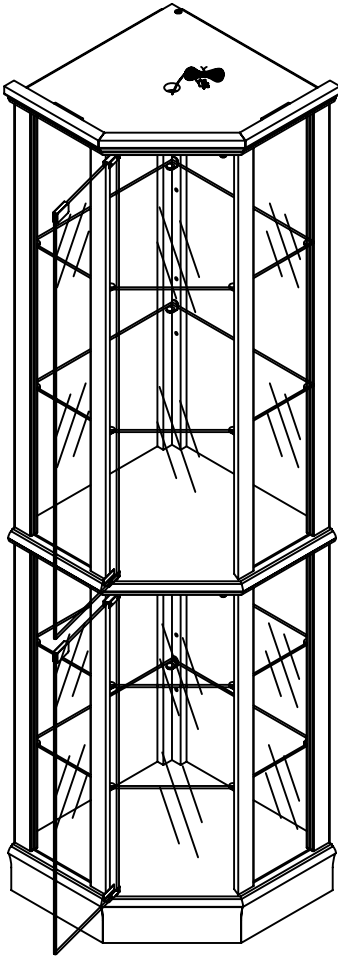


# STEP 9

I  20



STEP 10



# STEP 11

O  2

P  2

Q  2

