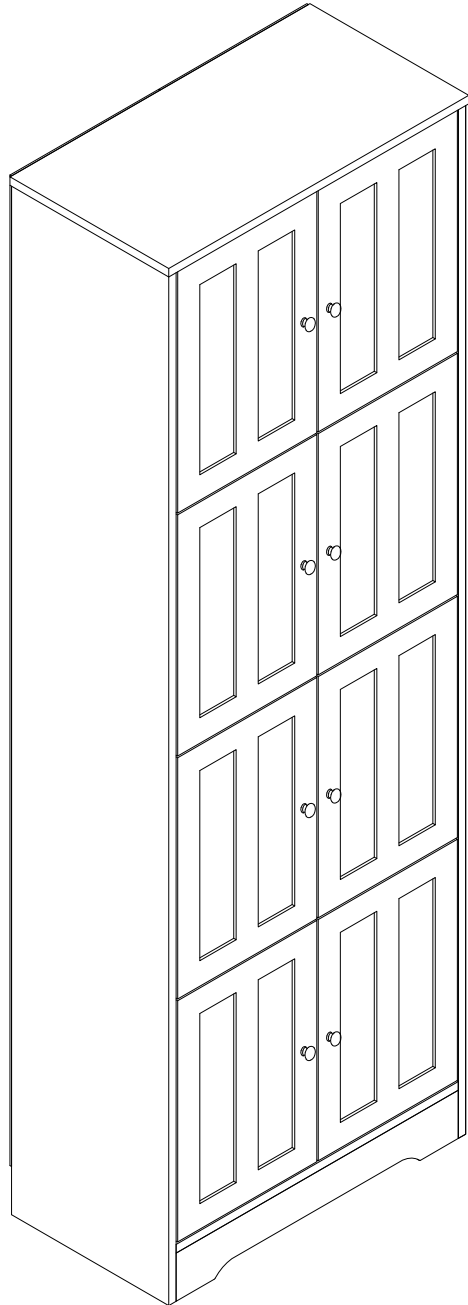
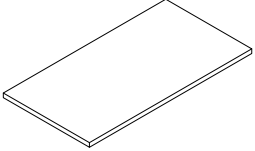
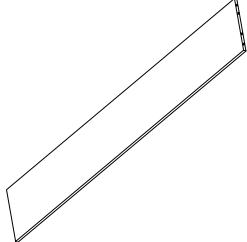
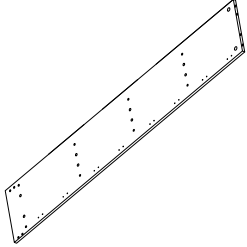
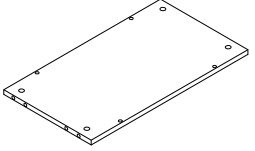
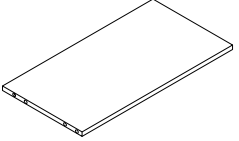


ASSEMBLY INSTRUCTION

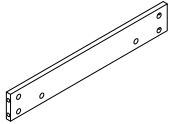
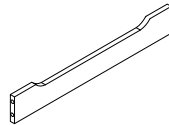
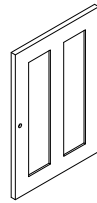
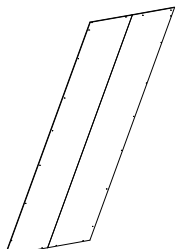


ASSEMBLY INSTRUCTION

Part List

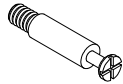

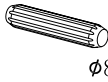
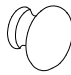

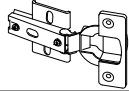

ITEM	DESCRIPTION	PART	QTY
1	Top panel		1
2	Left side panel		1
3	Right side panel		1
4	Bottom panel		1
5	Shelf		3

Part List






ITEM	DESCRIPTION	PART	QTY
6	Back rail		1
7	Front rail		1
8	Door		8
9	Back panel		1

ASSEMBLY INSTRUCTION

Hardware List

ITEM	DESCRIPTION	PART	QTY
A	Camlock bolt		32
B	Camlock		32
C	Wooden dowel	 Ø8*30mm	20
D	Knob		8
E	Machine screw	 Ø4*22mm	8
F	Door fitting		16
G	Wood screw	 Ø3.5*12mm	64

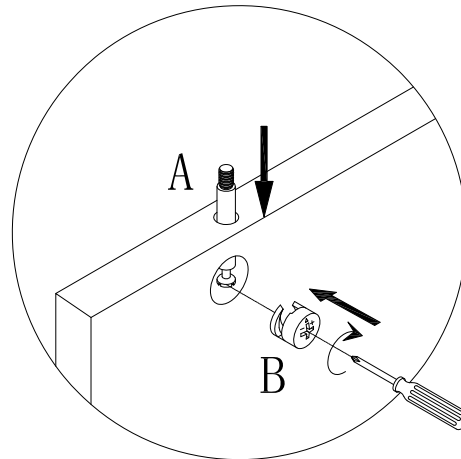
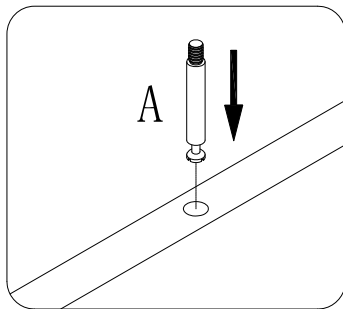
Hardware List

ITEM	DESCRIPTION	PART	QTY
H	Back screw	 Ø3*12mm	22
I	Safety wall strap		1
J	Plastic anchor		1
K	Mounting screw	 Ø4*35mm	1
L	Flat washer		1

ASSEMBLY INSTRUCTION

- * Required screwdriver & mallet, not included.
- * Before discarding packing materials, please check to make sure that all parts and hardware is present.
- * Two people needed for assembly.
- * Please follow the instructions closely; do not over tighten screws or bolts unless instructed.
- * After a few days from initial assembly, the product may have acclimated to the new environment. Please retighten the hardware.

Guideline For Assembling of Cam Lock(A & B)



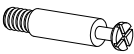

Screw camlock bolt (A) to wood part.

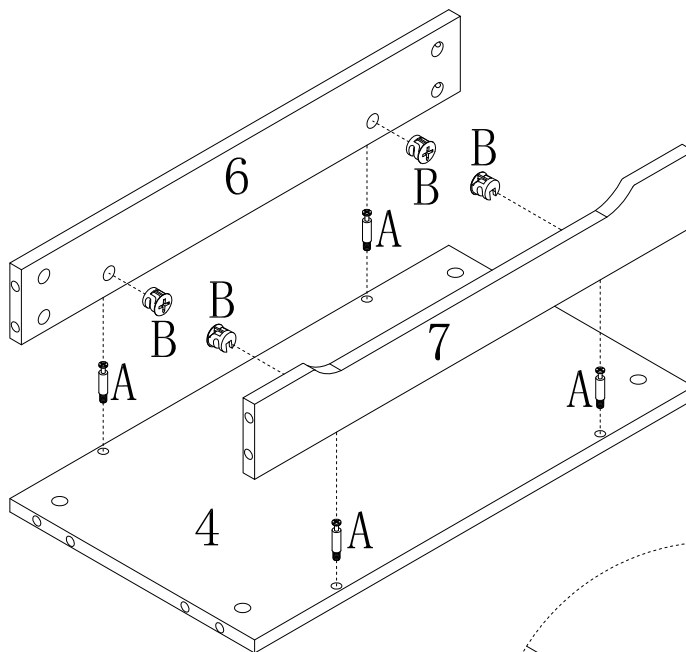
Do not assemble camlock (B) unless instructed.

To assemble camlock (B), ensure long side of the + is facing the bolt (A) before inserting into hole.

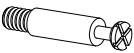


ASSEMBLY INSTRUCTION

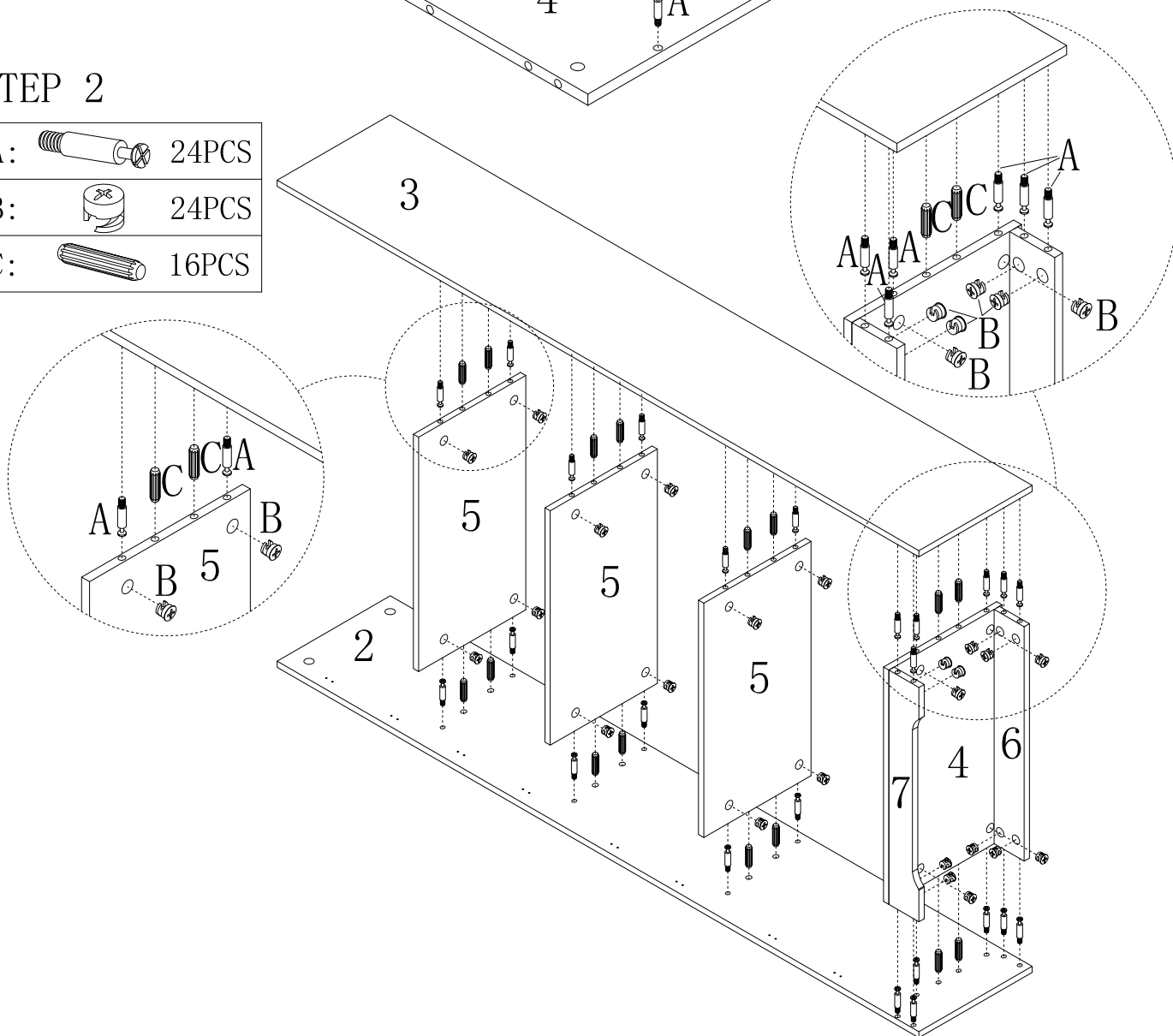
STEP 1

A:		4PCS
B:		4PCS



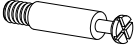

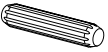
STEP 2

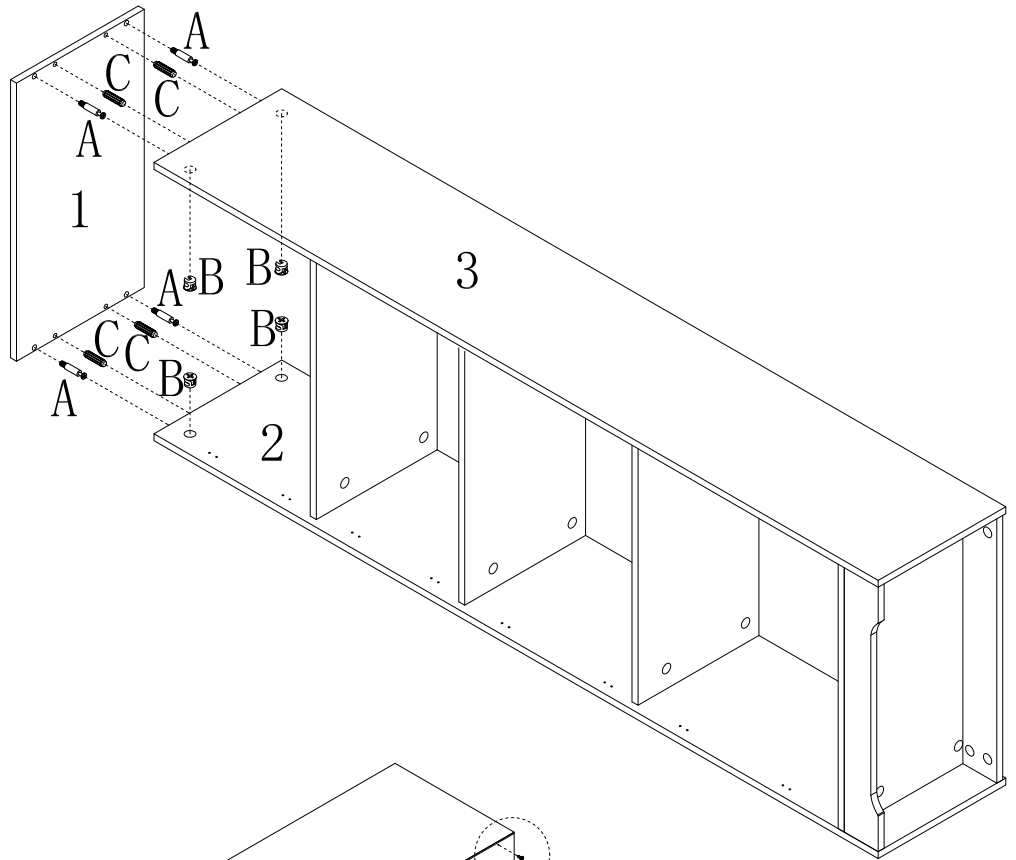
A:		24PCS
B:		24PCS
C:		16PCS





ASSEMBLY INSTRUCTION

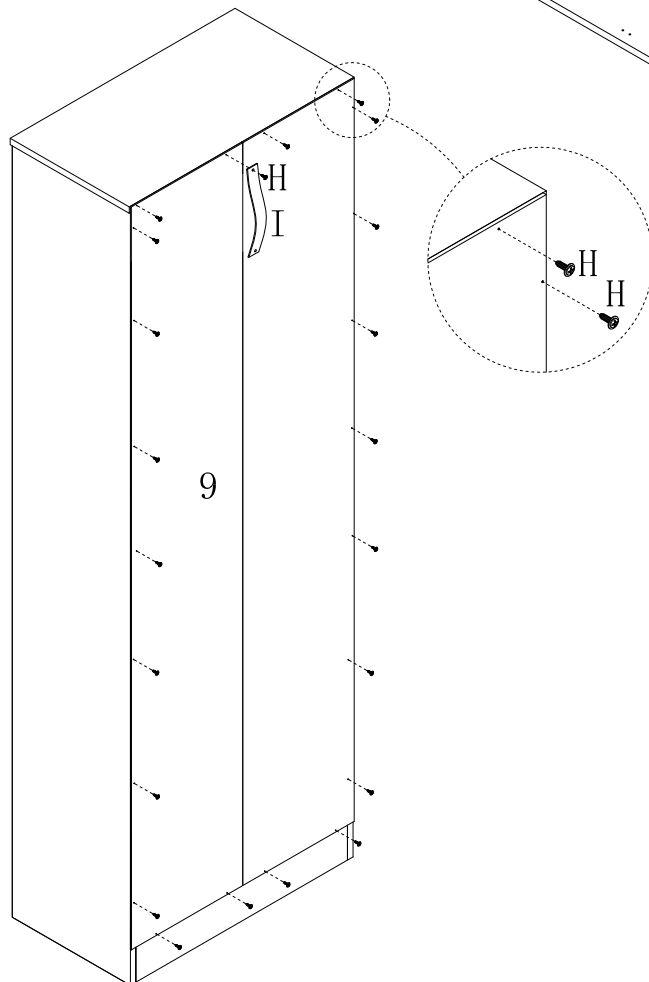
STEP 3

A:		4PCS
B:		4PCS
C:		4PCS





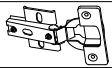

STEP 4

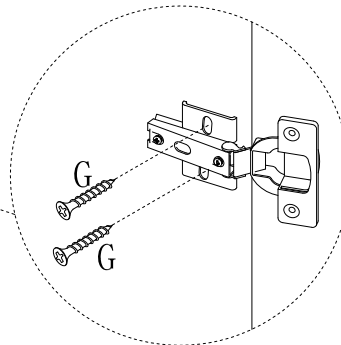
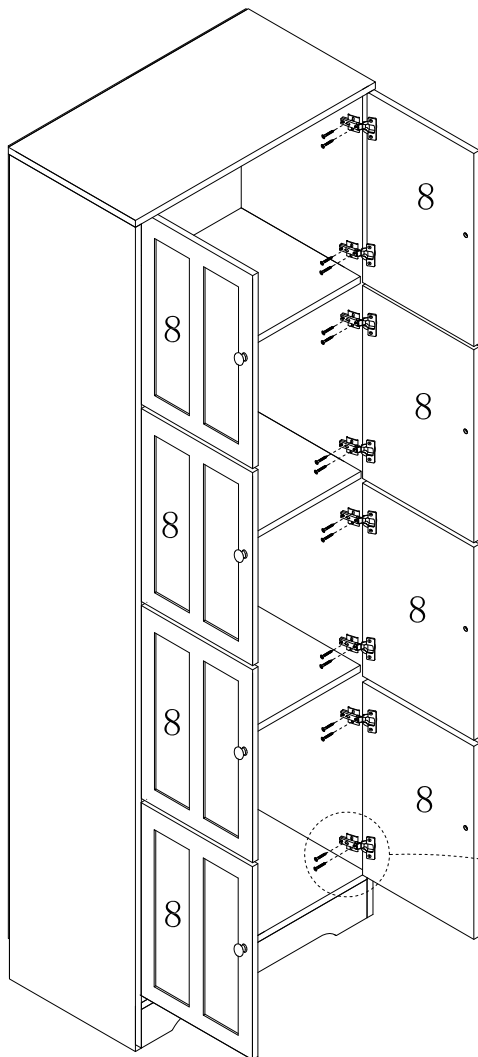
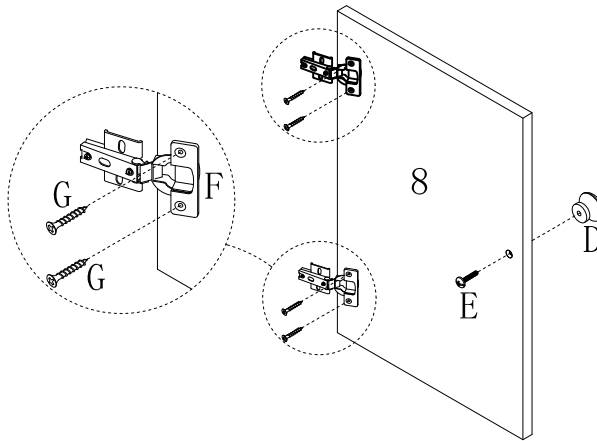
H:		22PCS
I:		1PC



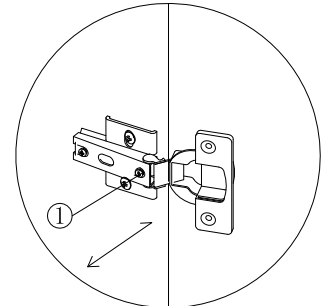
ASSEMBLY INSTRUCTION

STEP 5

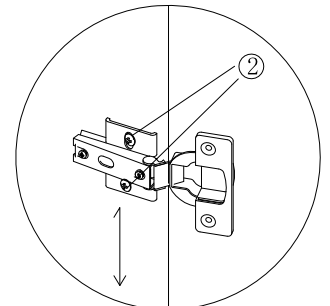
D:		8PCS
E:		8PCS
F:		16PCS
G:		64PCS



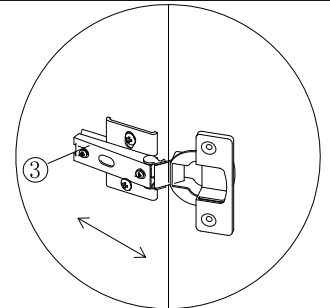
DOOR FITTING



To adjust in width






To adjust in height



To adjust in depth

ASSEMBLY INSTRUCTION

STEP 6

J:		1PC
K:		1PC
L:		1PC

