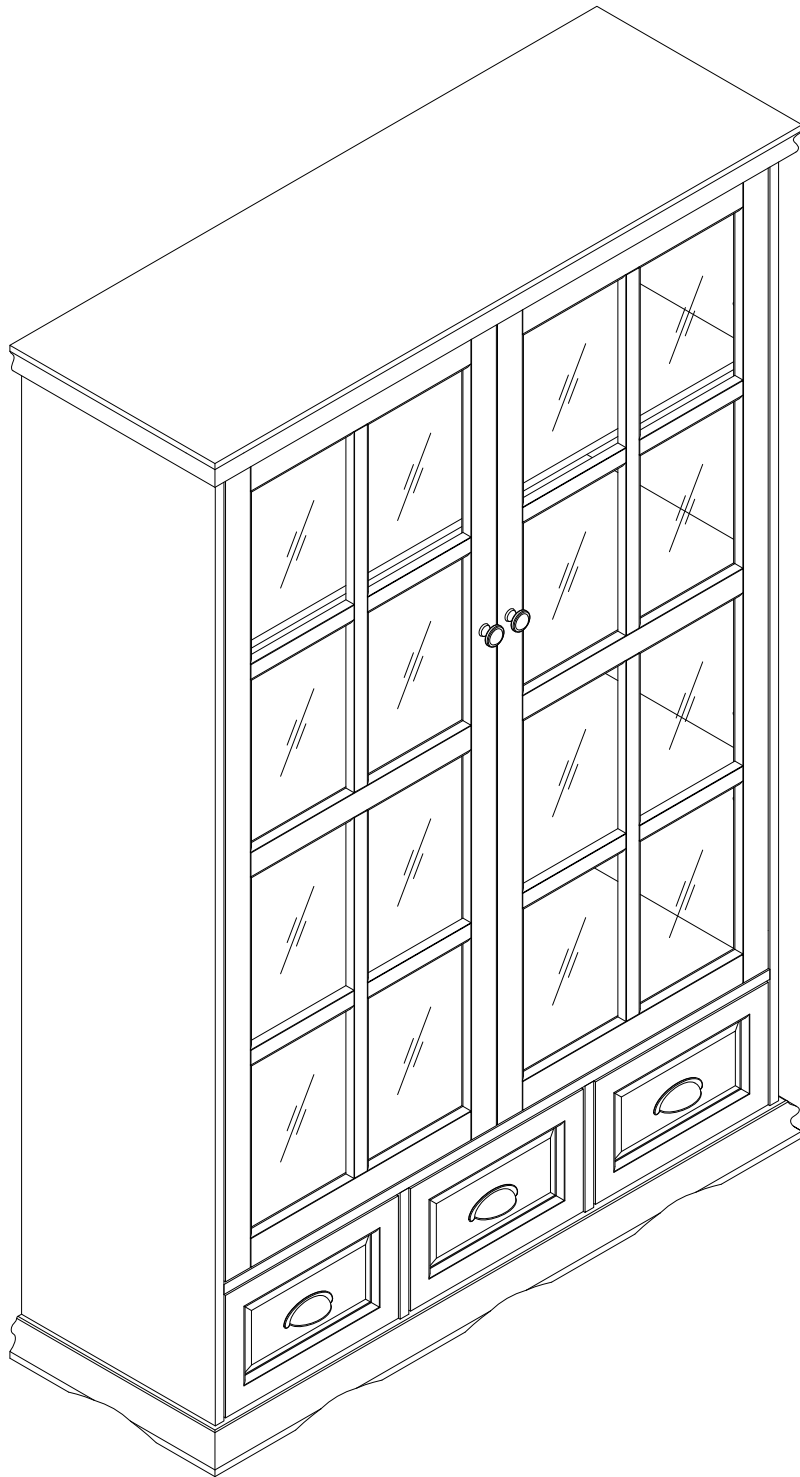
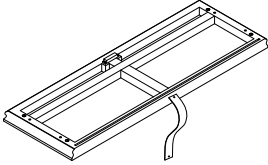
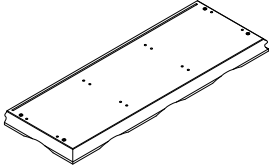
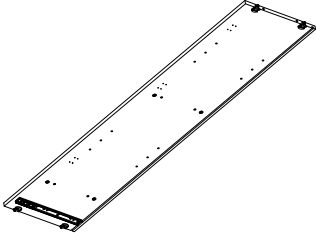
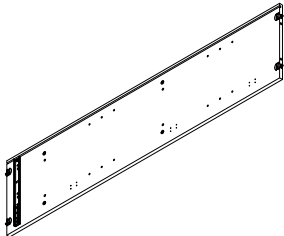
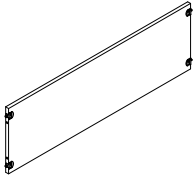
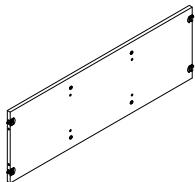


# ASSEMBLY INSTRUCTIONS

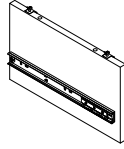
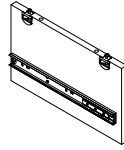
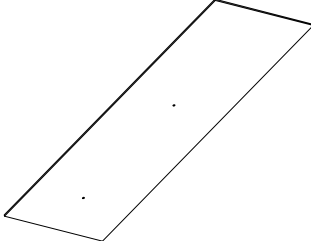
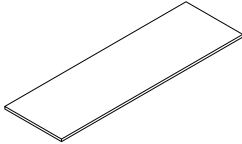
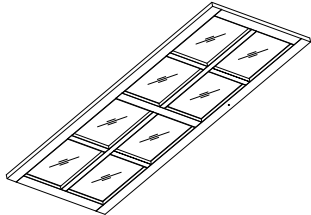
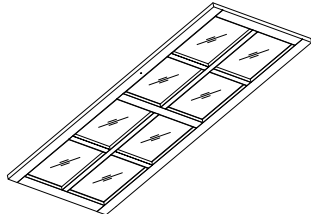


# ASSEMBLY INSTRUCTIONS

## Part List:

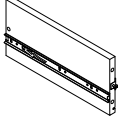
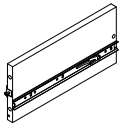
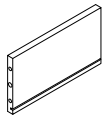
ITEM	DESCRIPTION	PART	QTY
1	Top panel		1
2	Bottom panel		1
3	Left side panel		1
4	Right side panel		1
5	Upper fixed shelf		1
6	Lower fixed shelf		1

## Part List:

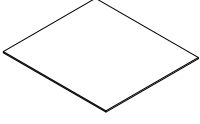
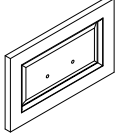
ITEM	DESCRIPTION	PART	QTY
7	Left divider		1
8	Right divider		1
9	Back panel		2
10	Adjustable shelf		2
11	Left door		1
12	Right door		1

# ASSEMBLY INSTRUCTIONS

## Part List:








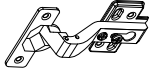
ITEM	DESCRIPTION	PART	QTY
13	Drawer left side		3
14	Drawer right side		3
15	Drawer back		3

## Part List:






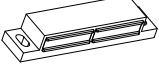

ITEM	DESCRIPTION	PART	QTY
16	Drawer bottom		3
17	Drawer front		3

## ASSEMBLY INSTRUCTIONS

## Hardware List:

ITEM	DESCRIPTION	PART	QTY
A	Wooden dowel	 Φ8*30mm	48
B	Bolt	 Φ1/4"*7/8"	14
C	Wrench		1
D	Knob		2
E	Long machine screw	 Φ5/32"*1"	2
F	Handle		3
G	Short machine screw	 Φ5/32"*3/8"	6
H	Door fitting		6

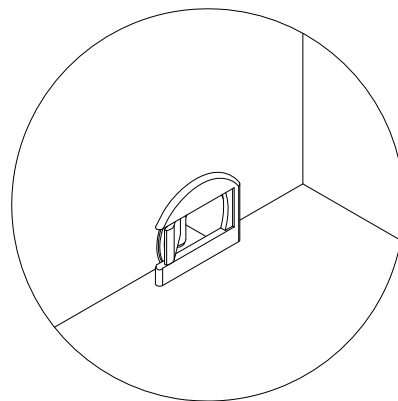
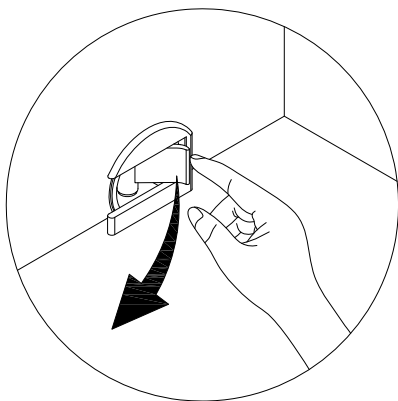
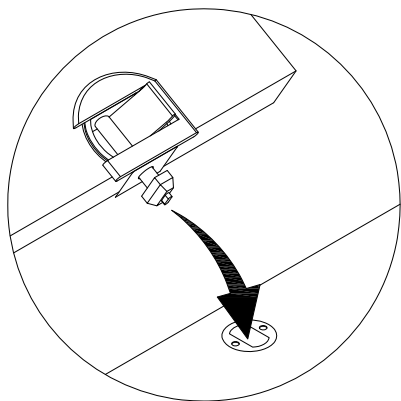
## Hardware List:

ITEM	DESCRIPTION	PART	QTY
I	Round head screw	 Φ3*12mm	36
J	Shelf support		8
K	Plastic anchor		1
L	Mounting screw	 Φ4*38mm	1
M	Flat washer		1
N	Magnet		1
O	Wood screw	 Φ3*15mm	2


Tip: It is recommended to keep all hardware in a box to avoid loss during installation.

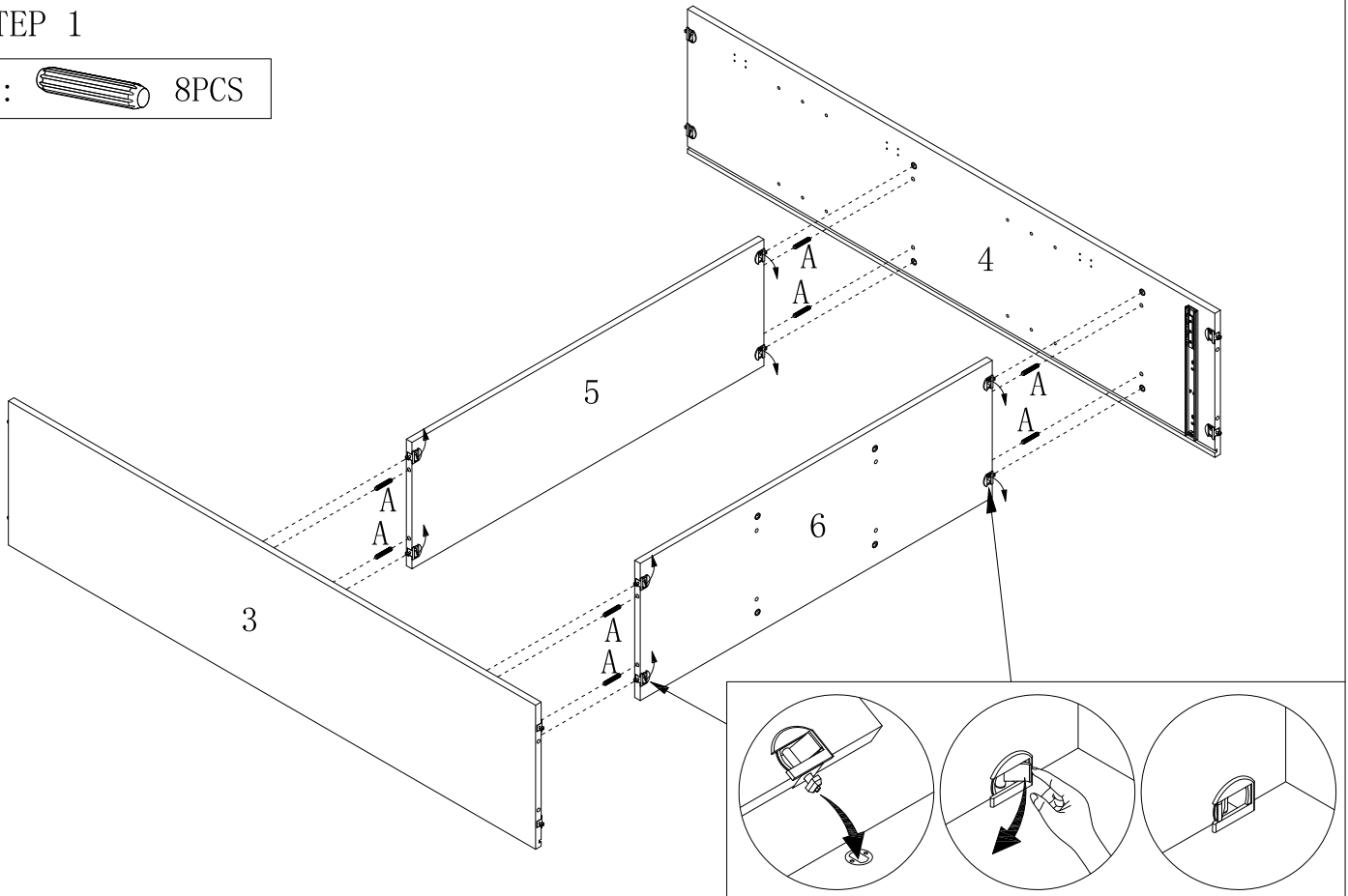
- \* Required screwdriver & mallet, not included.
- \* Before discarding packing materials, please check to make sure that all parts and hardware is present.
- \* Two people needed for assembly.
- \* Please follow the instructions closely; do not over tighten screws or bolts unless instructed.
- \* After a few days from initial assembly, the product may have acclimated to the new environment. Please retighten the hardware.

## Guideline For Assembling of Plastic Lock




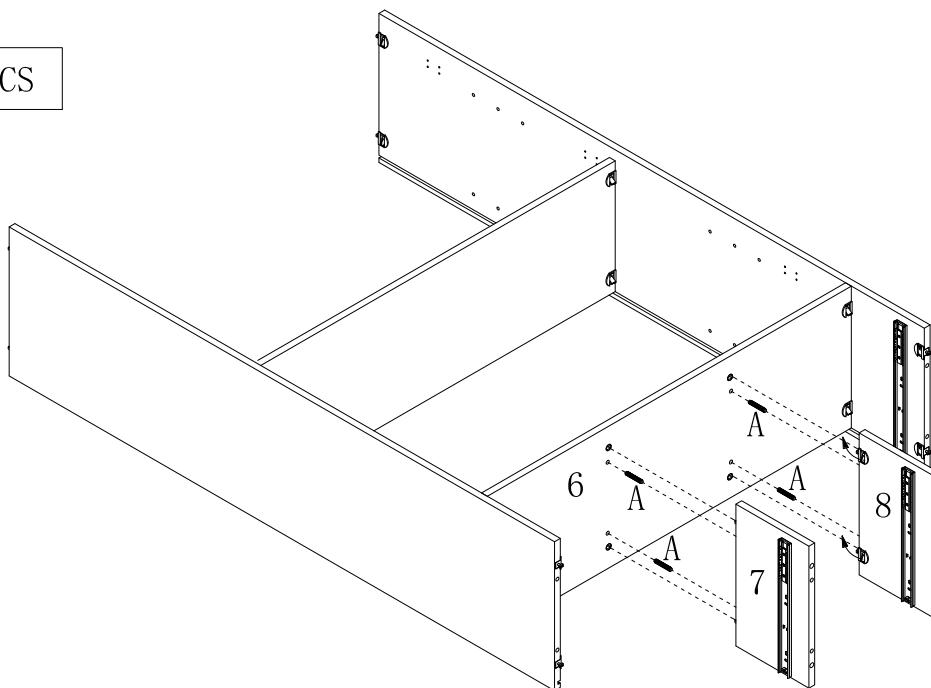
## STEP 1

A:  8PCS



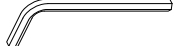


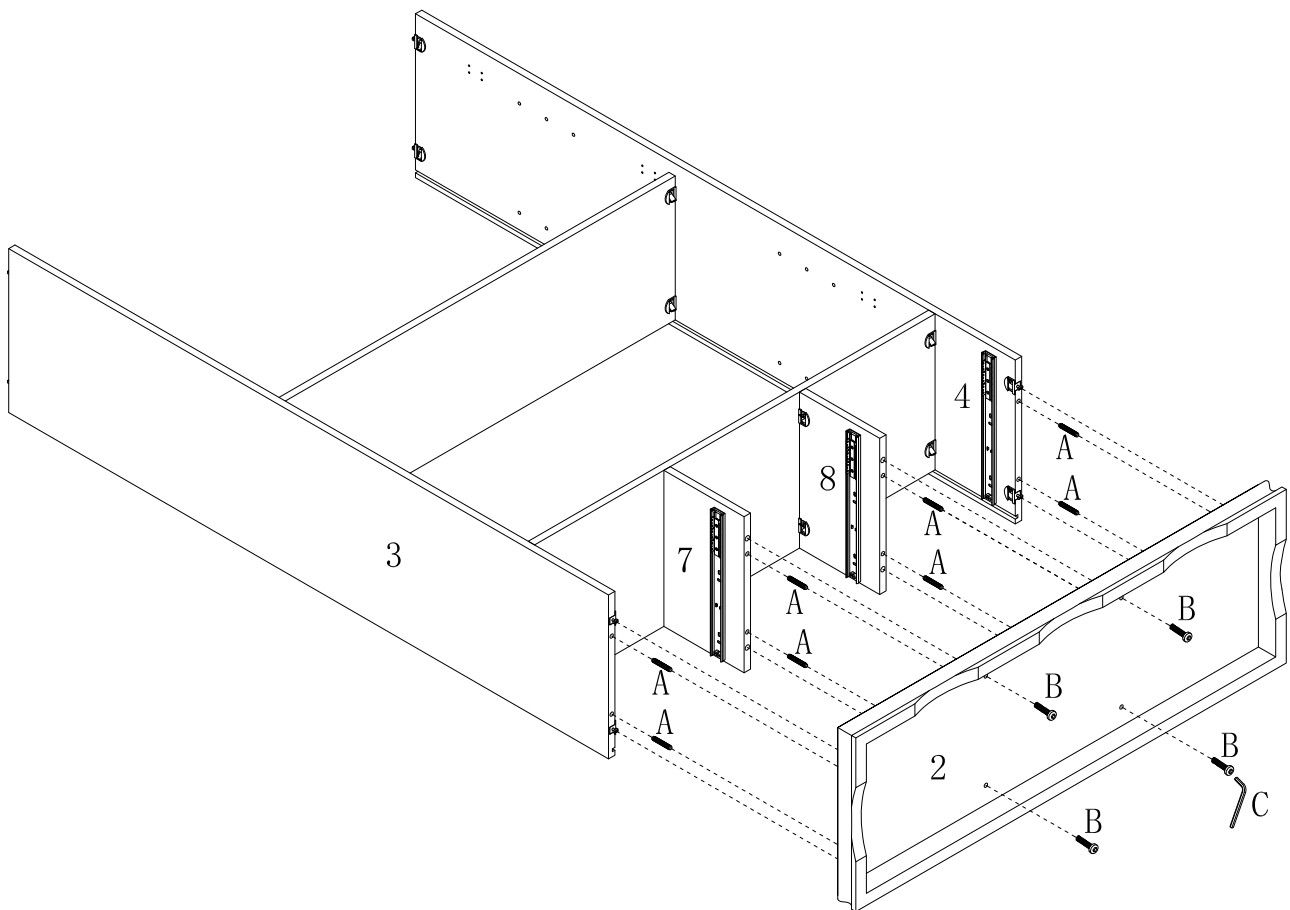
## STEP 2

A:  4PCS



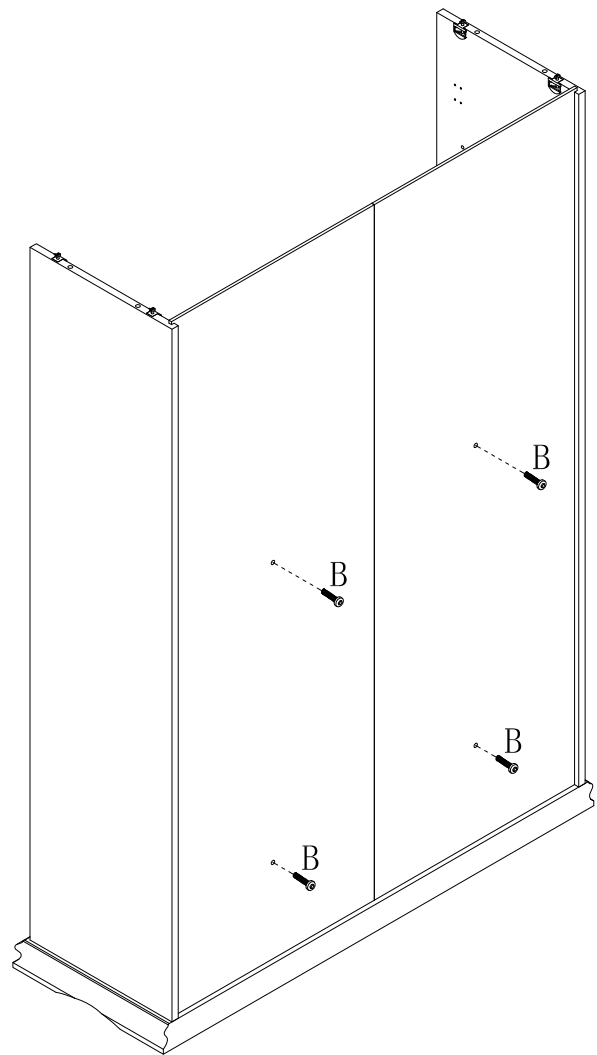
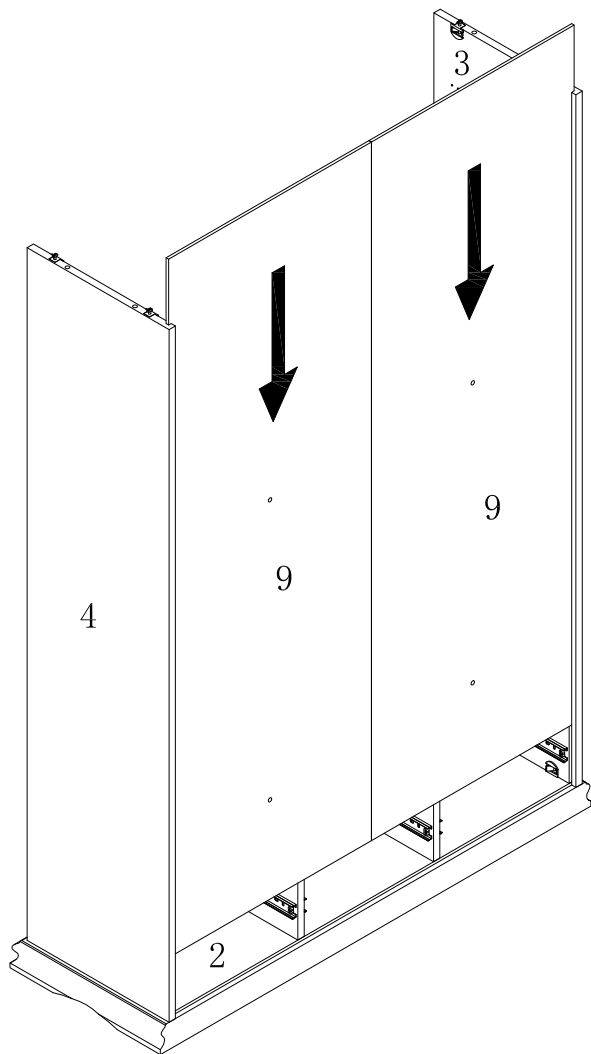
## STEP 3

A:		8PCS
B:		4PCS
C:		1PC



## STEP 4

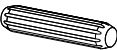
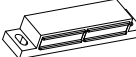

B:  4PCS

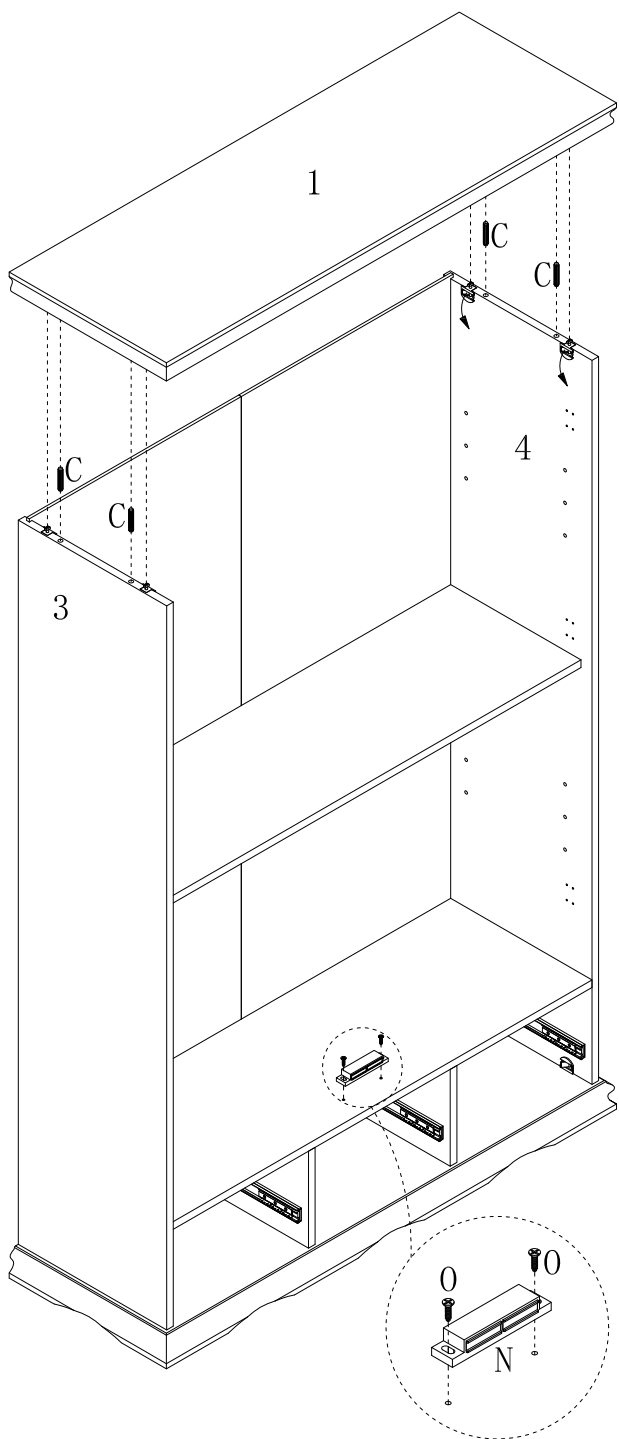






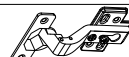

# ASSEMBLY INSTRUCTIONS

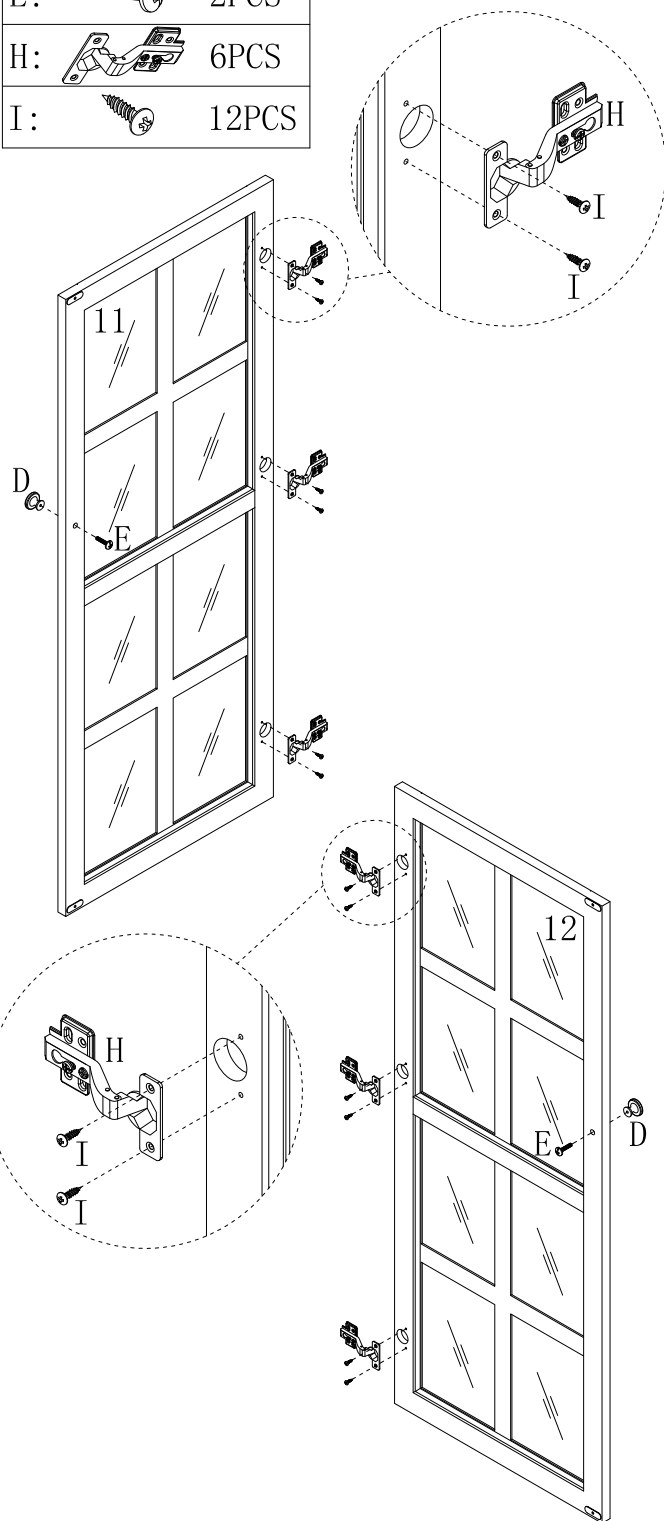
## STEP 5

A:		4PCS
N:		1PC
O:		2PCS



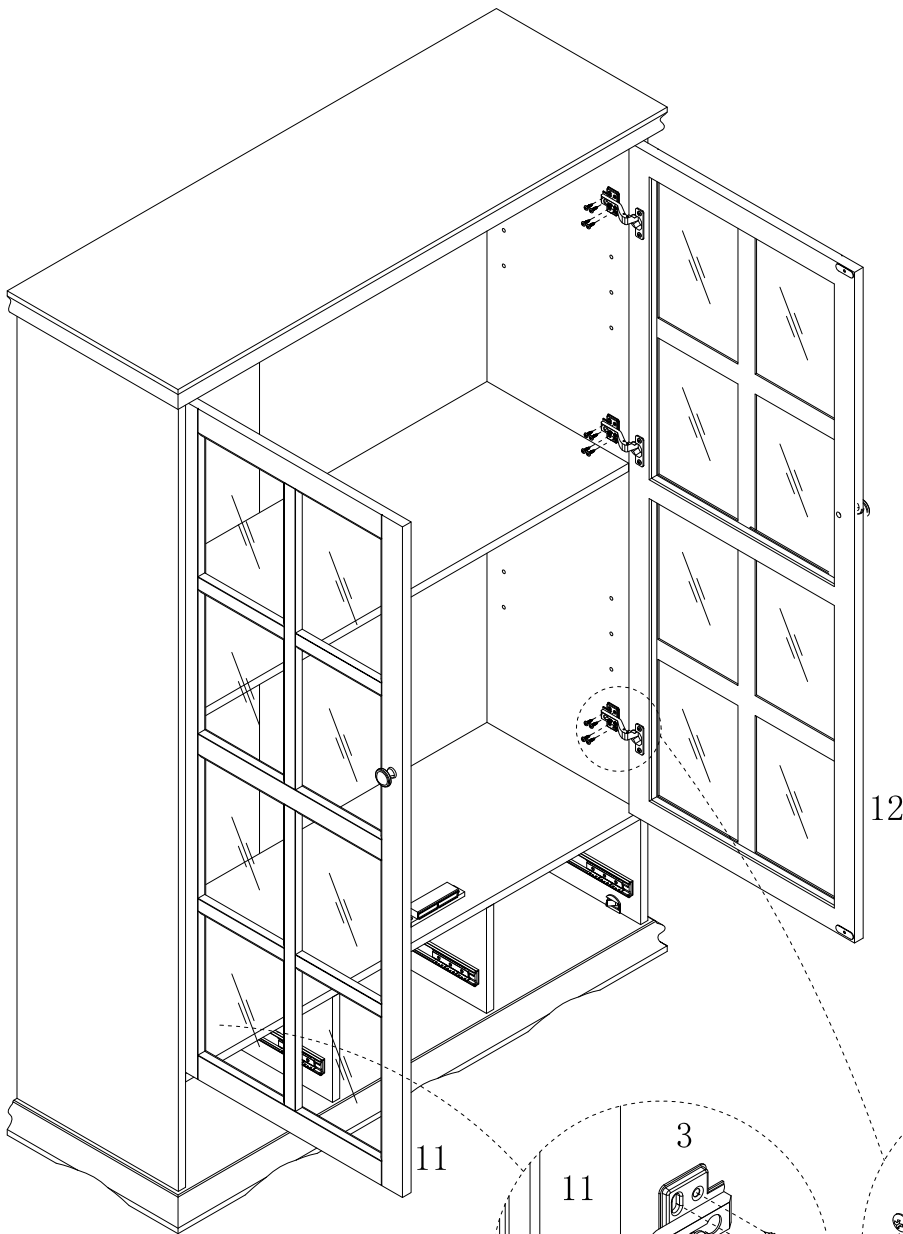
## STEP 6

D:		2PCS
E:		2PCS
H:		6PCS
I:		12PCS

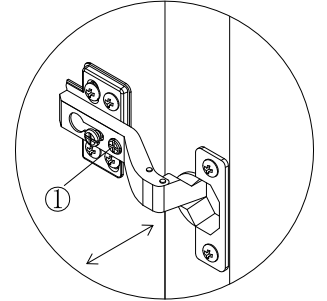


## STEP 7

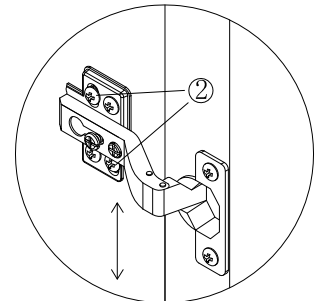
I:  24PCS



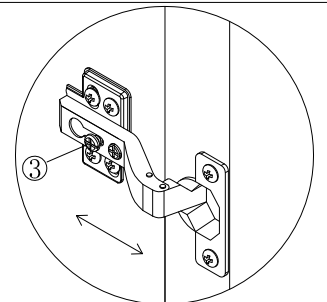
### DOOR FITTING



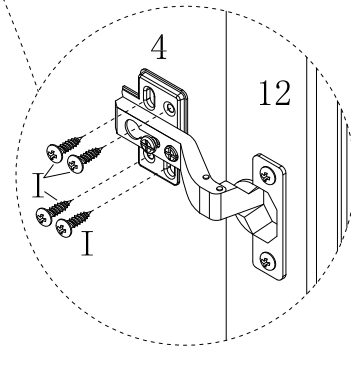
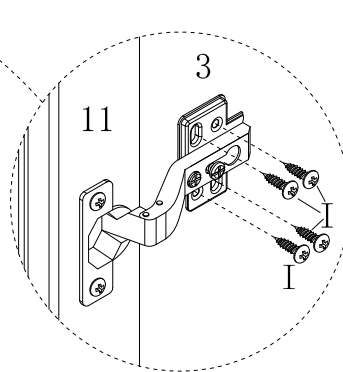
To adjust in width



To adjust in height

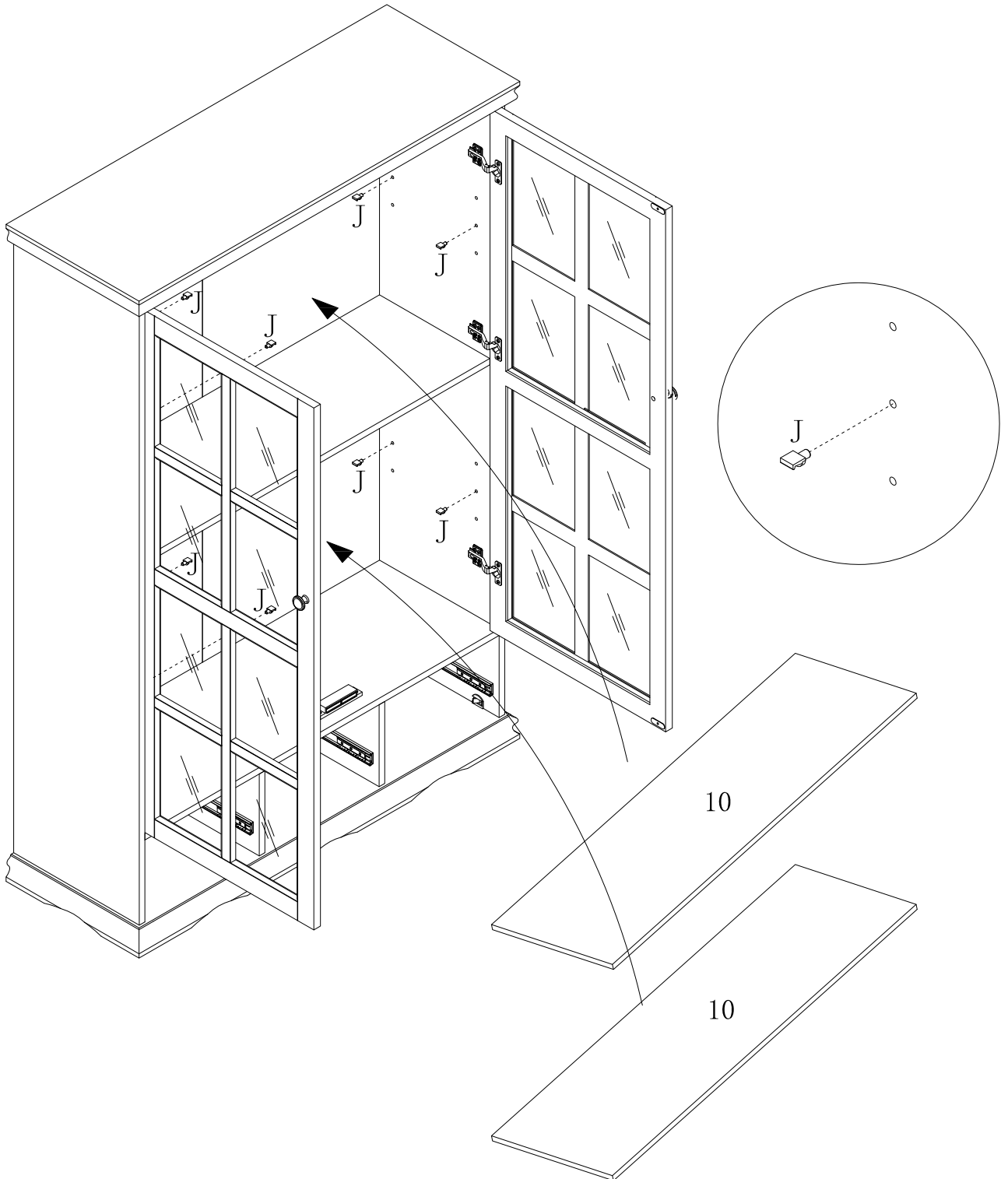


To adjust in depth







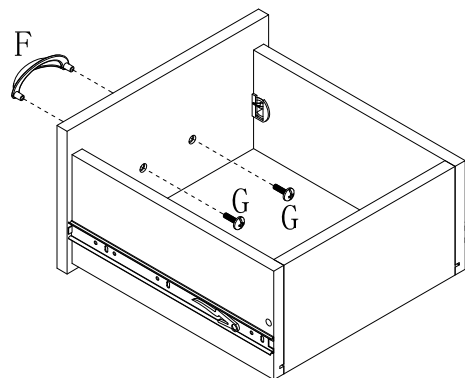
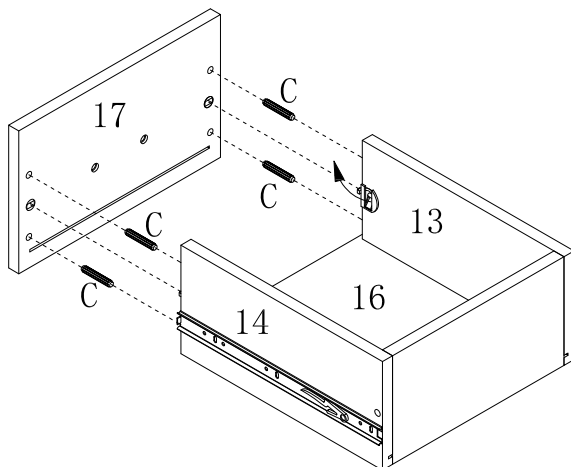
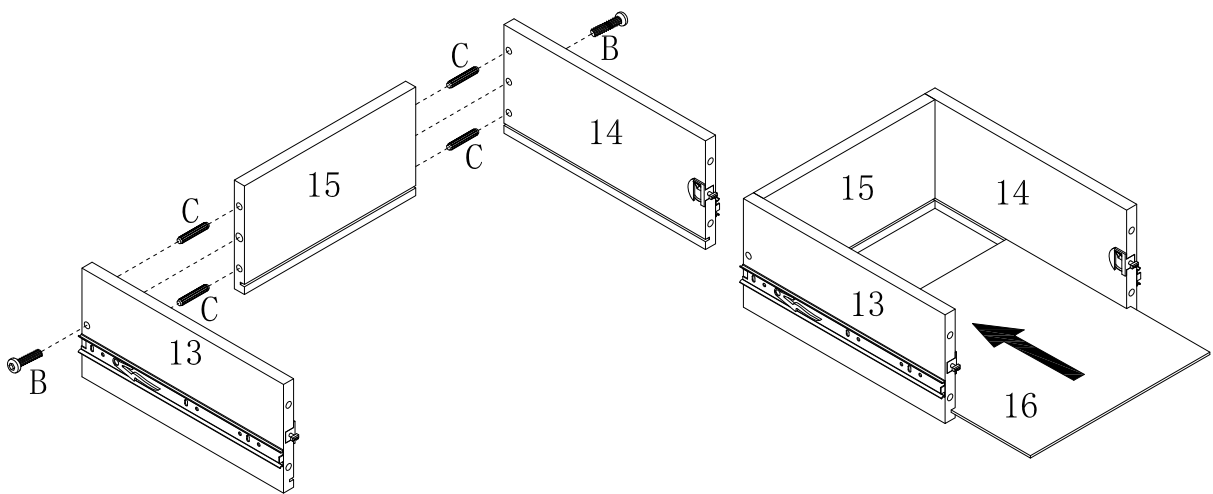
## STEP 8

J:  8PCS



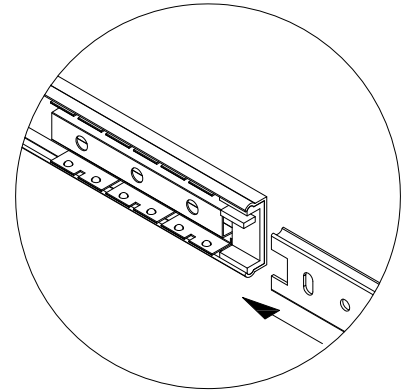
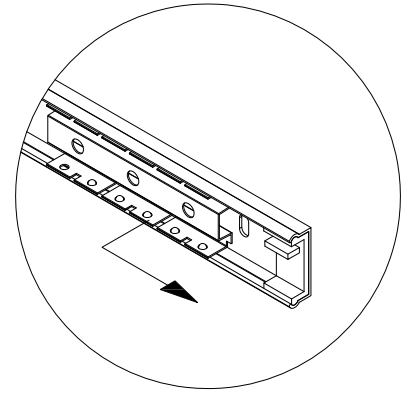
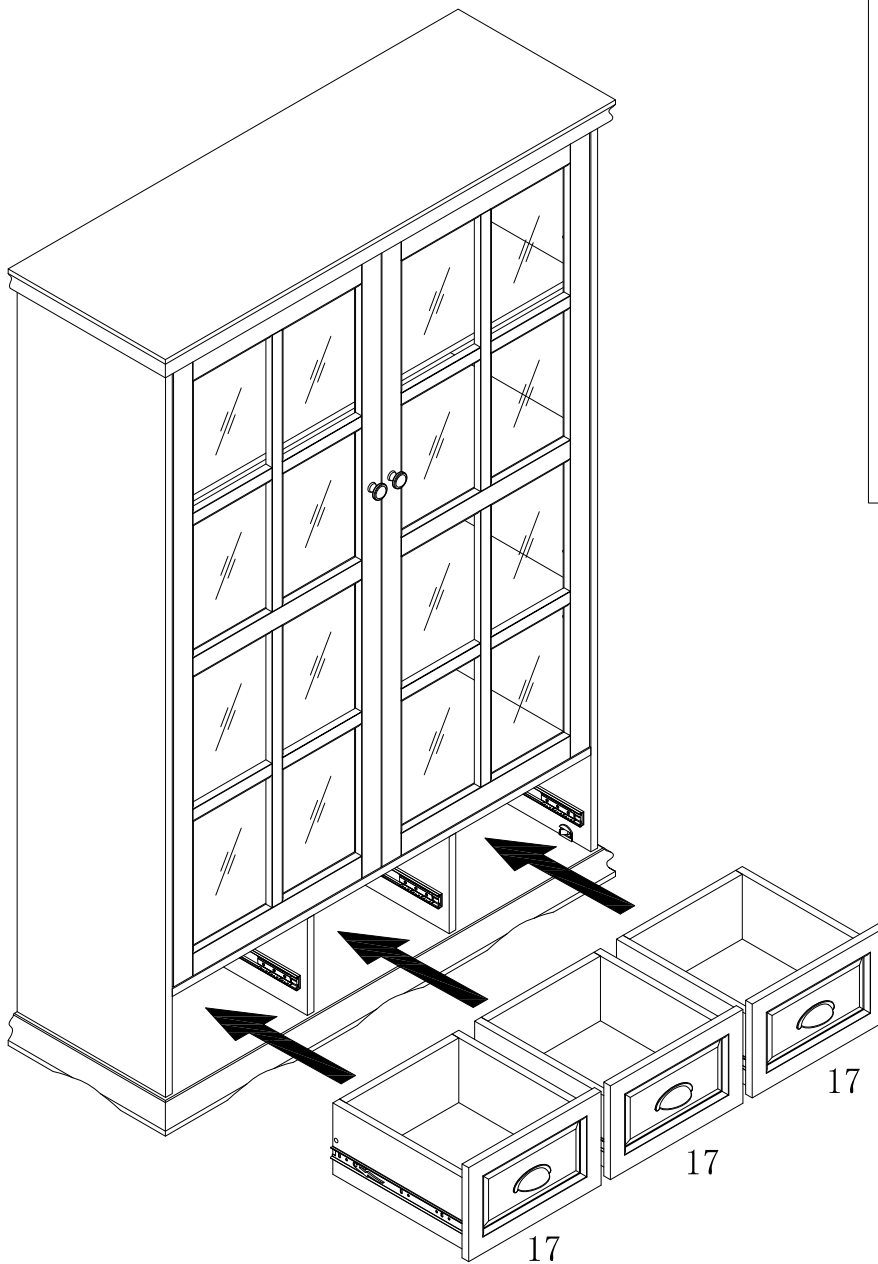
## STEP 9

A:		24PCS
B:		6PCS
F:		3PCS
G:		6PCS






x 3

STEP 10



## STEP 11

K:		1PC
L:		1PC
M:		1PC

