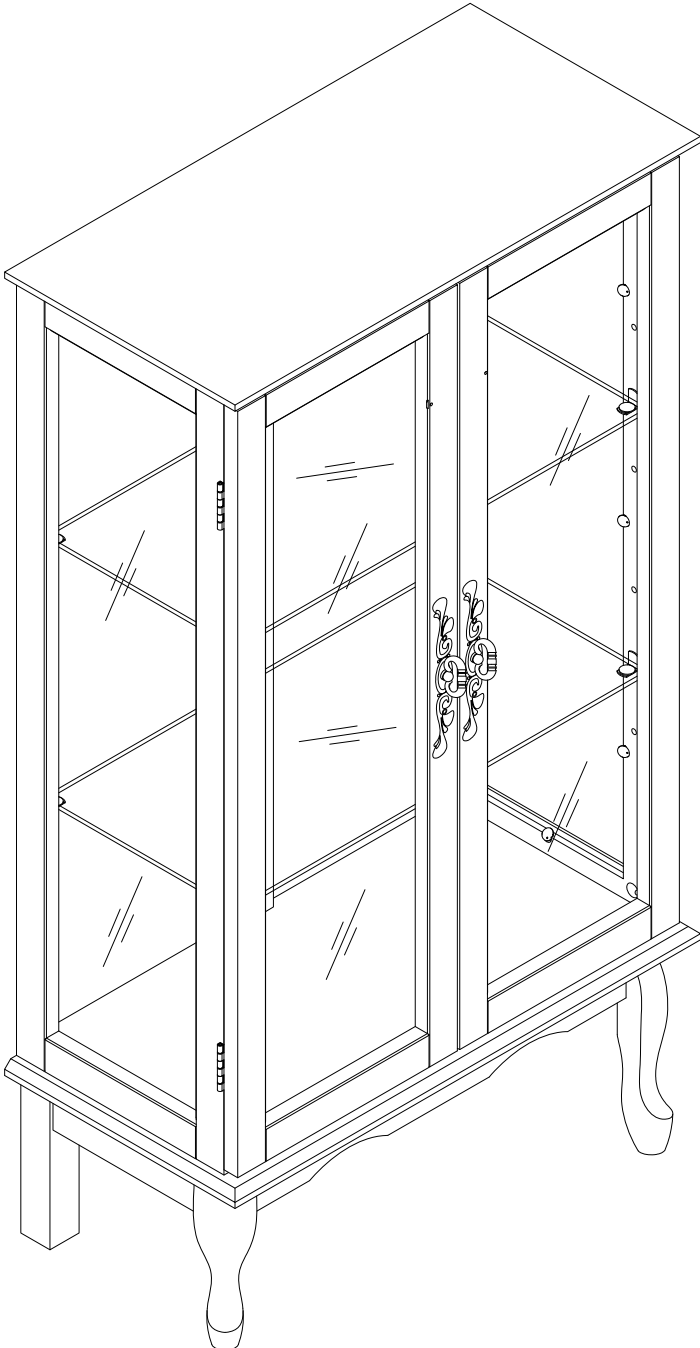
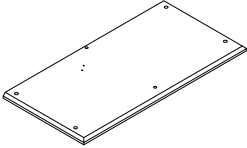
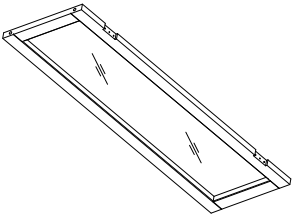
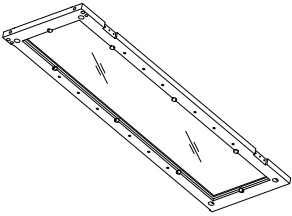
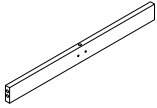
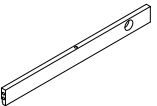
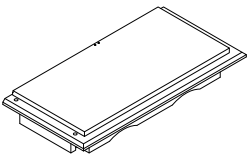

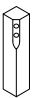


ASSEMBLY INSTRUCTION


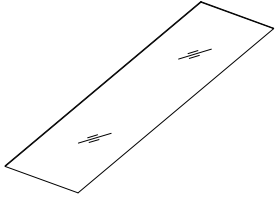
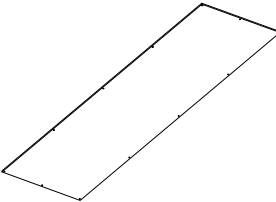
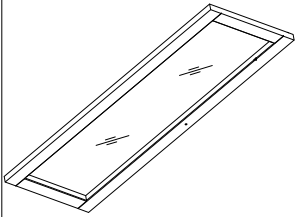
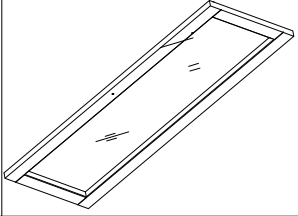
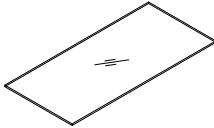
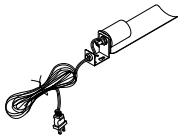


ASSEMBLY INSTRUCTION

Part List:

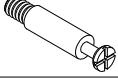

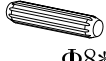
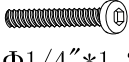






ITEM	DESCRIPTION	PART	QTY
1	Top panel		1
2	Left side panel		1
3	Right side panel		1
4	Front crosspiece		1
5	Back crosspiece		1
6	Base		1
7	Front leg		2
8	Back leg		2

Part List:


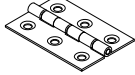
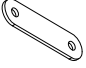


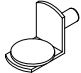



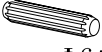
ITEM	DESCRIPTION	PART	QTY
9	Vertical bar		1
10	Mirror		2
11	Back panel		2
12	Left door		1
13	Right door		1
14	Shelf glass		2
15	Lamp unit		1

ASSEMBLY INSTRUCTION

Hardware List:

ITEM	DESCRIPTION	PART	QTY
A	Camlock bolt		12
B	Camlock		12
C	Wooden dowel	 $\Phi 8 * 30 \text{mm}$	6
D	Bolt	 $\Phi 1/4" * 1 \ 2/3"$	8
E	Lock washer		8
F	Flat washer		9
G	Allen wrench		1
H	Metal plate		2
I	Handle		2
J	Machine screw	 $\Phi 5/32 * 3/4"$	2

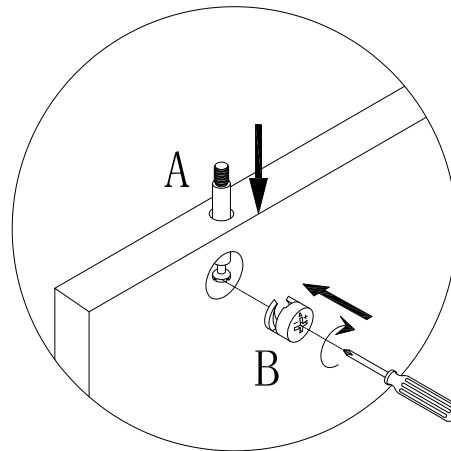
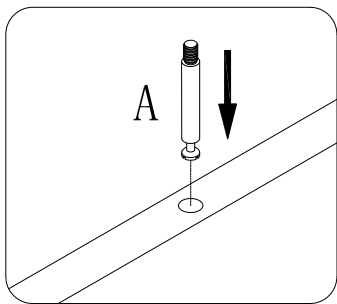
Hardware List:

ITEM	DESCRIPTION	PART	QTY
K	Wood screw	 $\Phi 3 * 12 \text{mm}$	26
L	Hinge		4
M	Connecting slice		2
N	Round head screw	 $\Phi 3 * 12 \text{mm}$	4
O	Back screw	 $\Phi 3 * 12 \text{mm}$	24
P	Shelf support		8
Q	Safety wall strap		1
R	Plastic anchor		1
S	Mounting screw	 $\Phi 4 * 38 \text{mm}$	1
T	Wooden dowel	 $\Phi 6 * 30 \text{mm}$	4

Tip: It is recommended to keep all hardware in a box to avoid loss during installation.

- * Required screwdriver & mallet, not included.
- * Before discarding packing materials, please check to make sure that all parts and hardware is present.
- * Two people needed for assembly.
- * Please follow the instructions closely; do not over tighten screws or bolts unless instructed.
- * Caution: If using a power drill or power screwdriver for screwing, please be aware to slow down and stop when screw is tight. Failure to do so may result in stripping the screw.

Guideline For Assembling of Cam Lock(A & B)



Screw camlock bolt (A) to wood part.

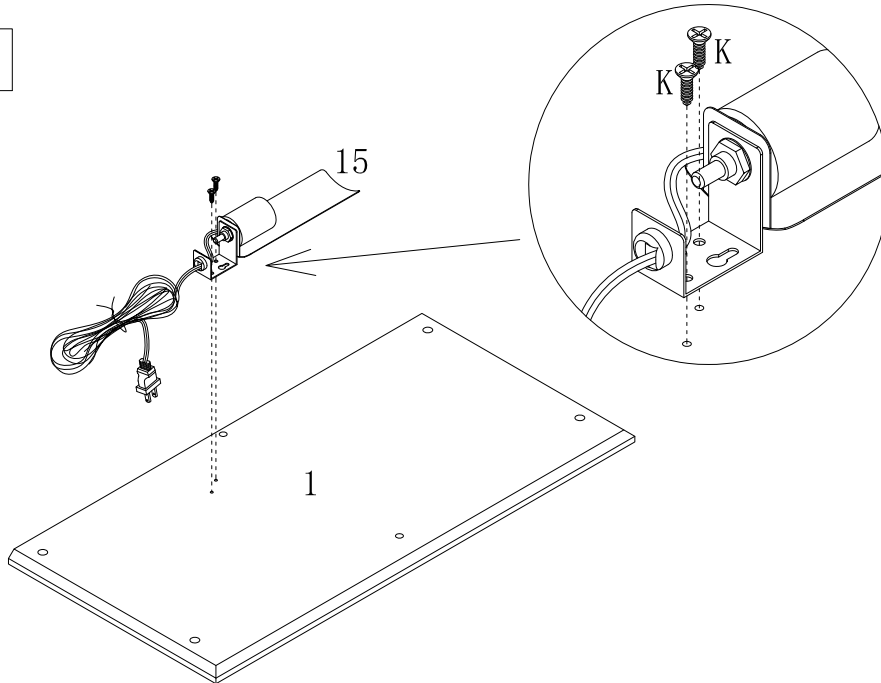
Do not assemble camlock (B) unless instructed.

To assemble camlock (B), ensure long side of the + is facing the bolt (A) before inserting into hole.

ASSEMBLY INSTRUCTION

STEP 1

K:  2PCS



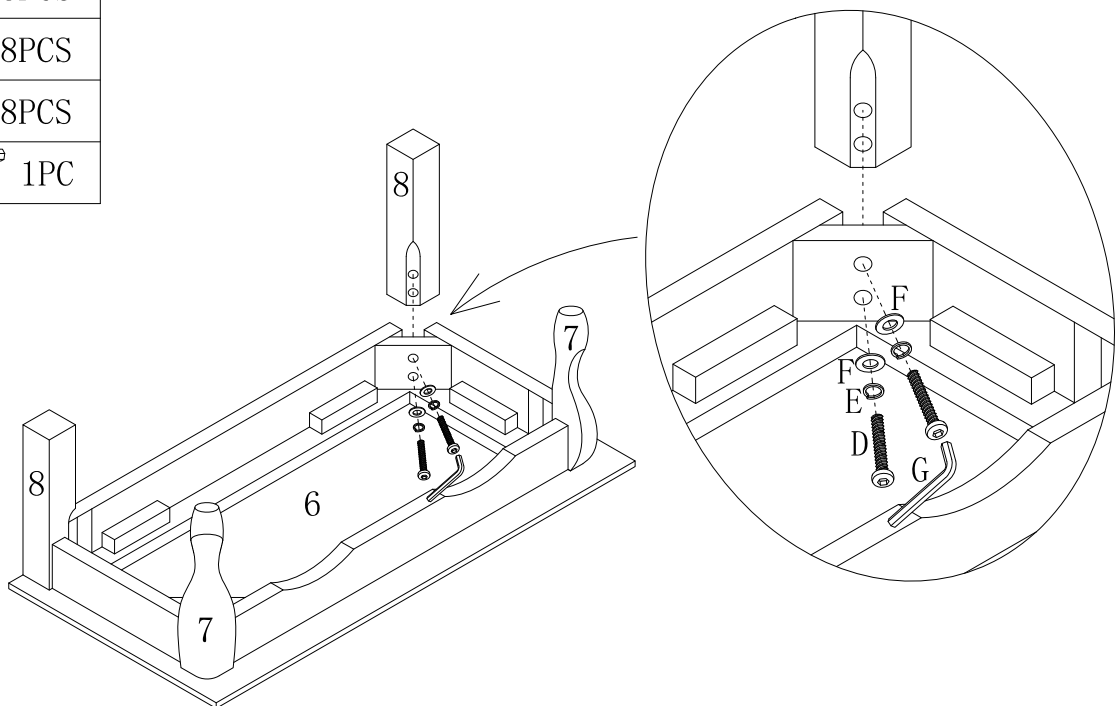
STEP 2

D:  8PCS

E:  8PCS

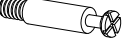

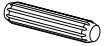
F:  8PCS

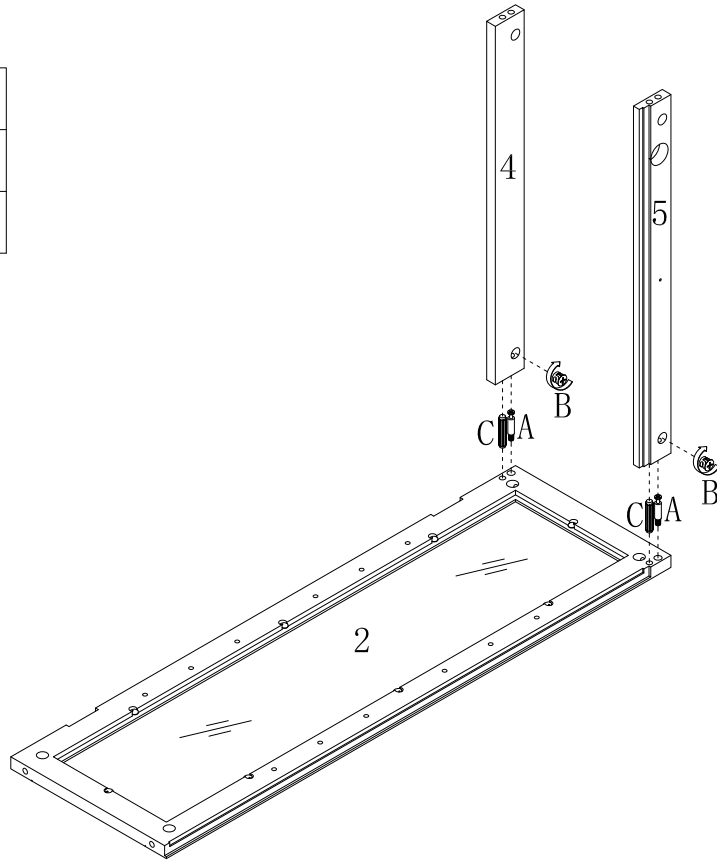
G:  1PC



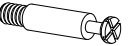


ASSEMBLY INSTRUCTION

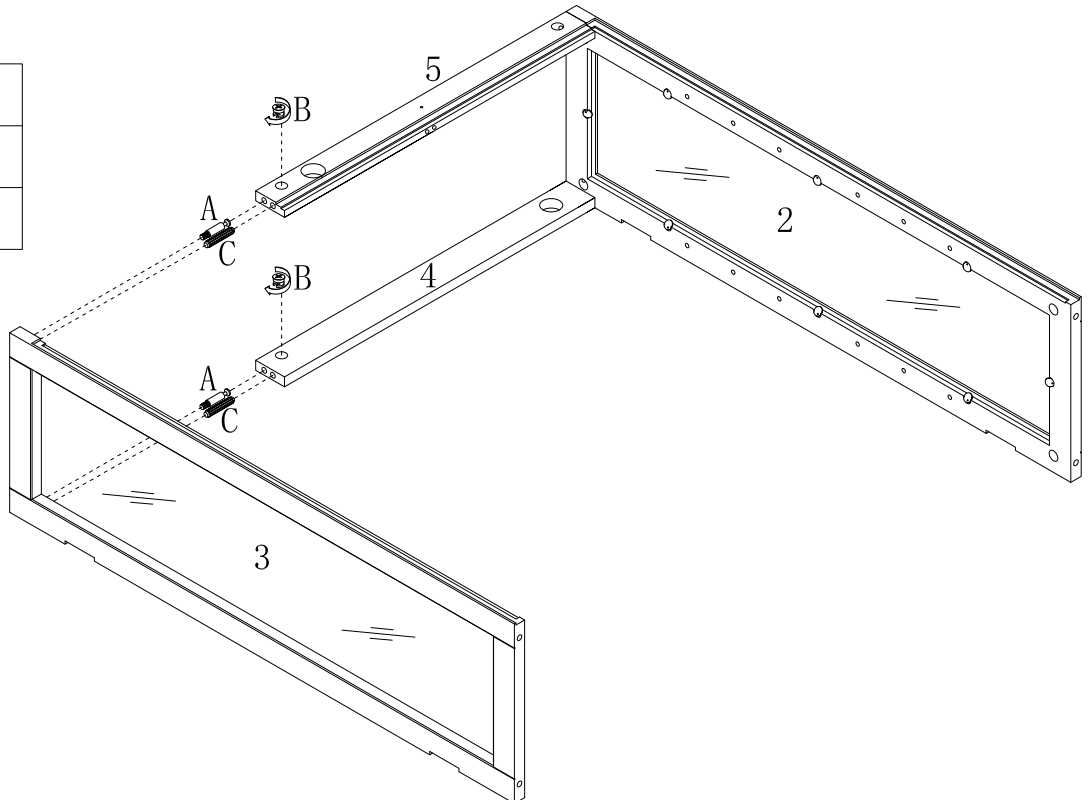
STEP 3

A:		2PCS
B:		2PCS
C:		2PCS



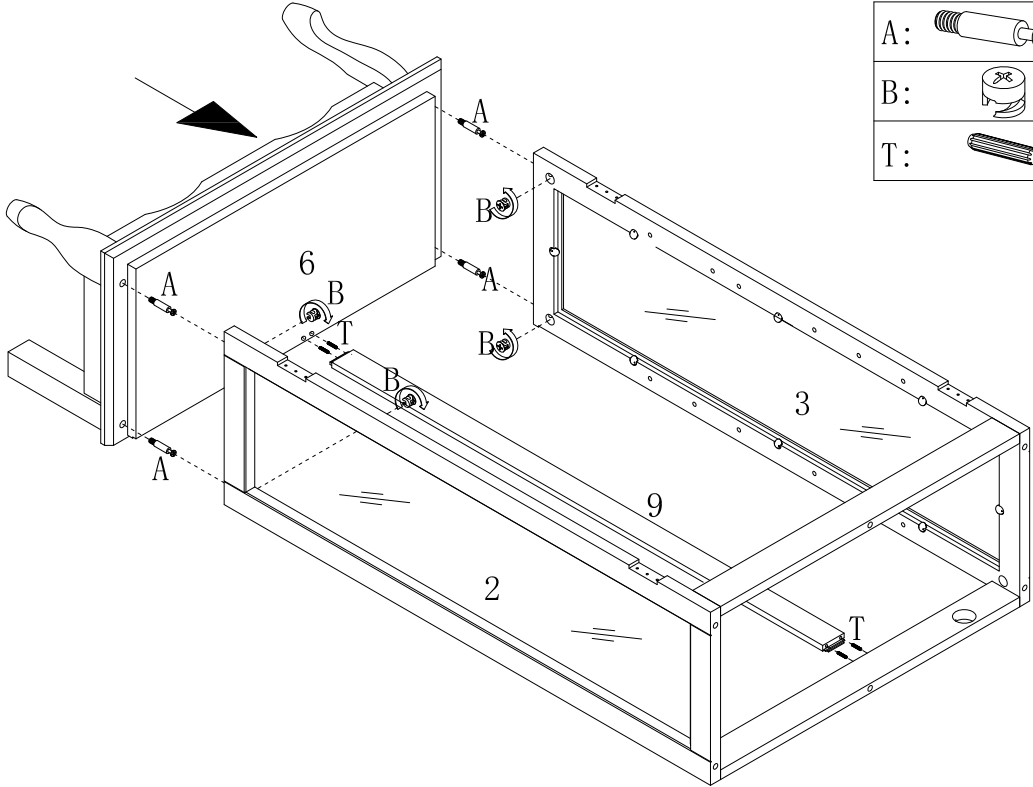
STEP 4

A:		2PCS
B:		2PCS
C:		2PCS

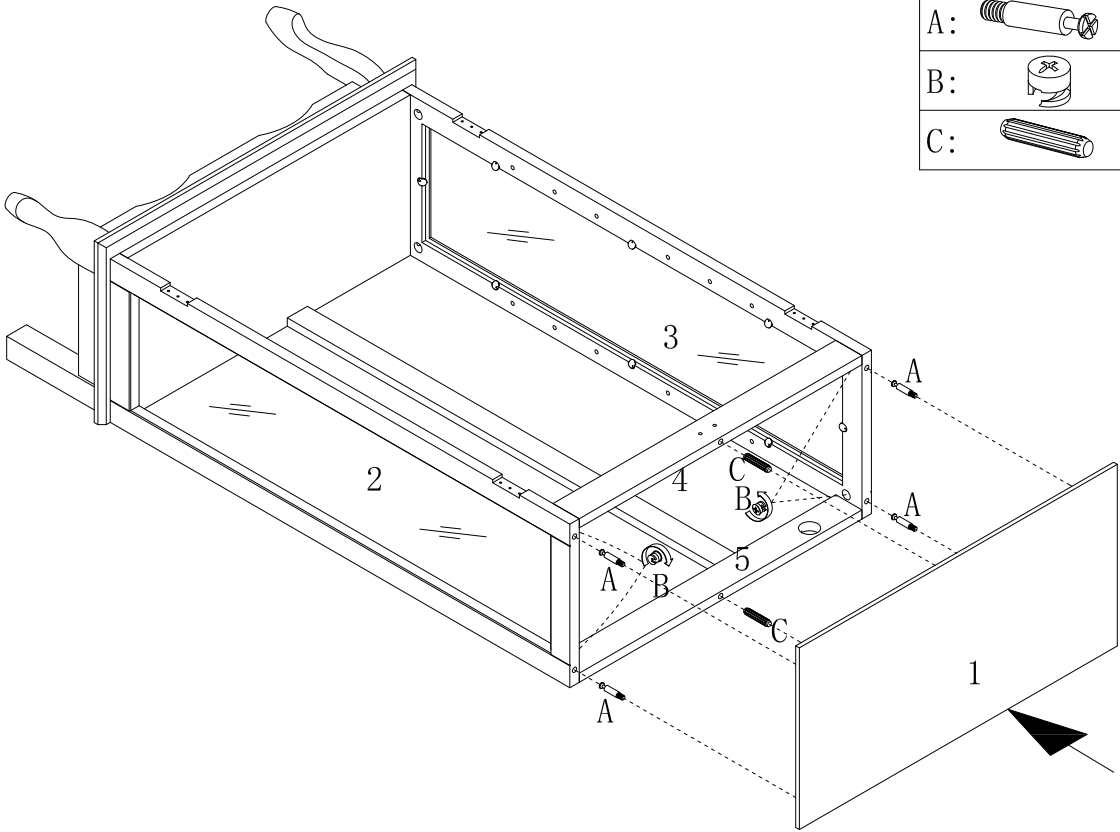


ASSEMBLY INSTRUCTION

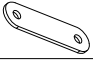



STEP 5



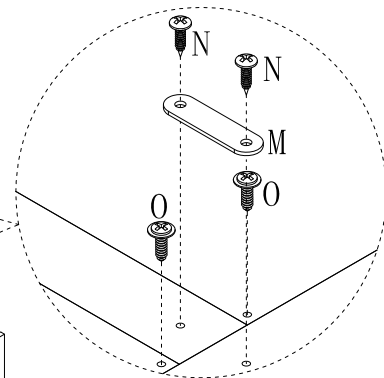
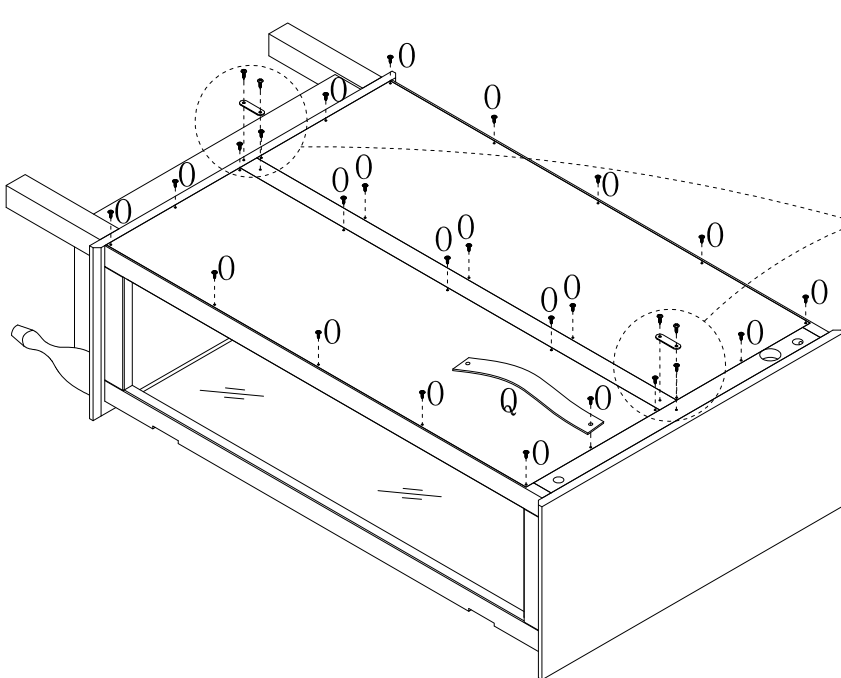
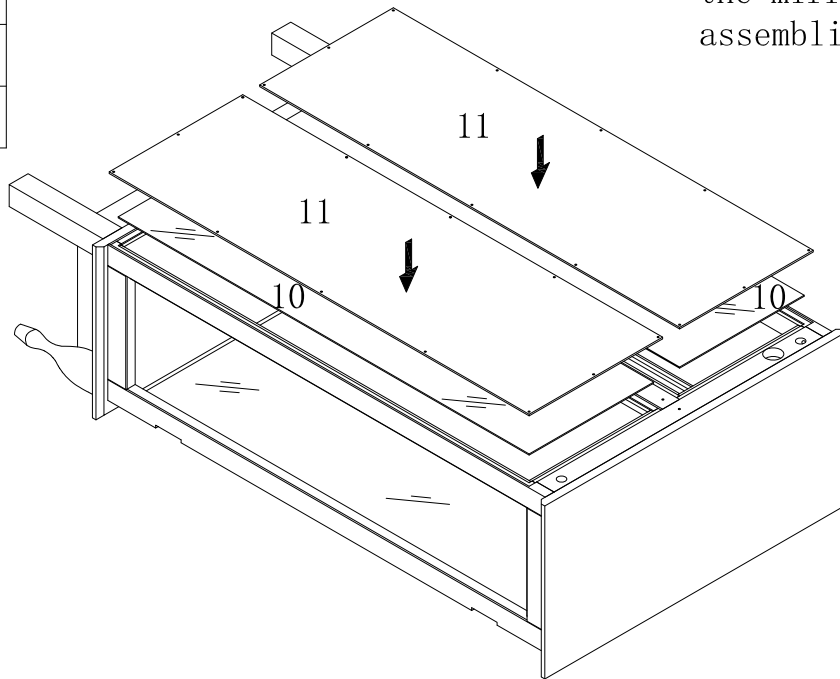
STEP 6



STEP 7

M:		2PCS
N:		4PCS
O:		24PCS
Q:		1PC





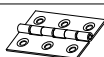
Please tear off the protective film of the mirror before assembling the mirror.

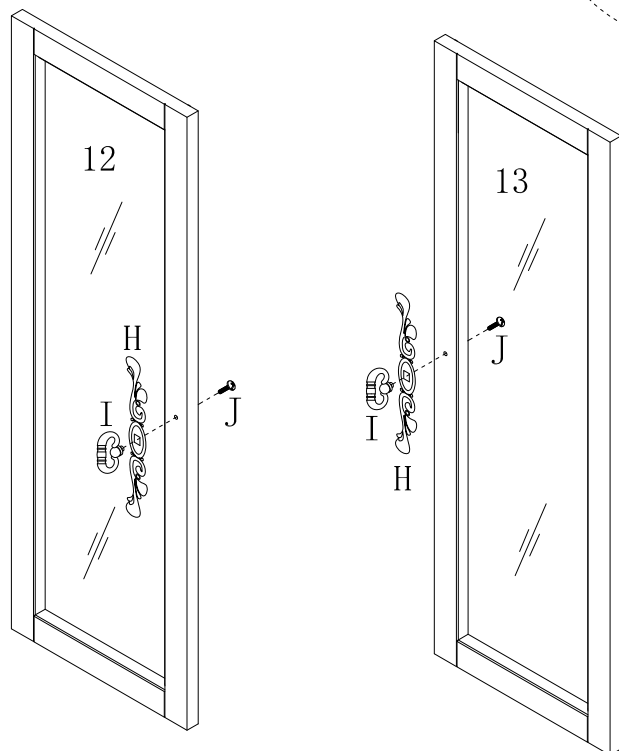
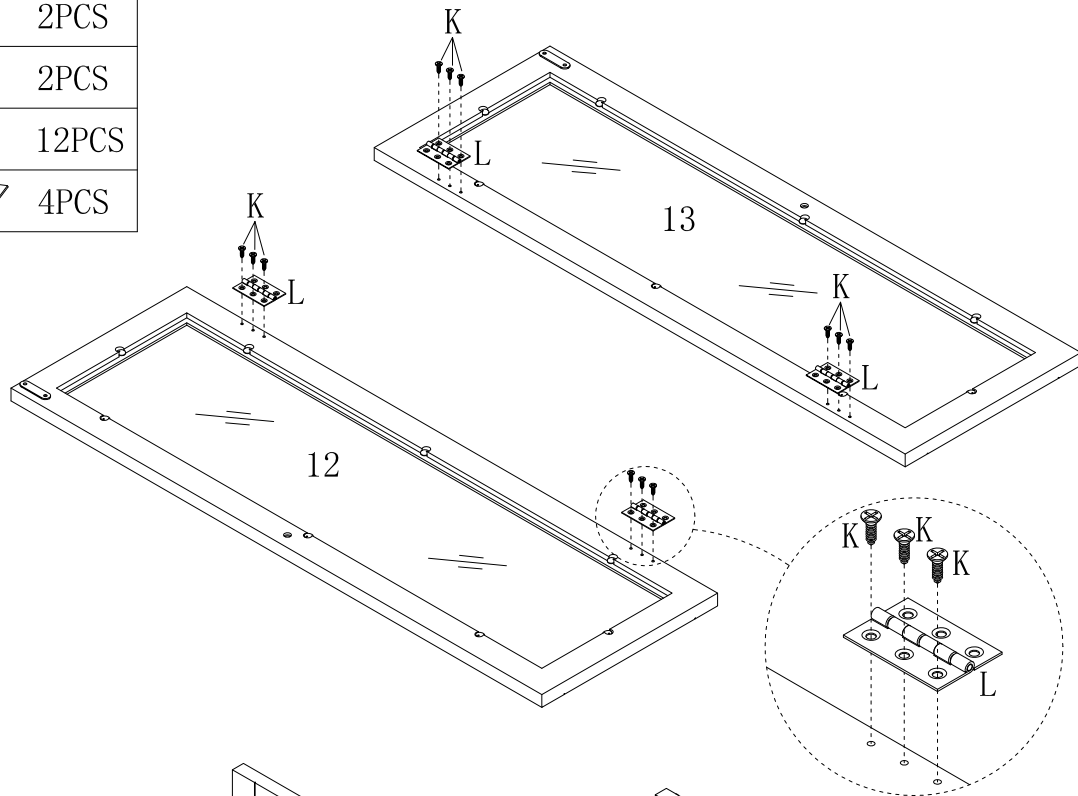


First, assemble Part#N & M, then assemble back screws Part#O.

ASSEMBLY INSTRUCTION

STEP 8

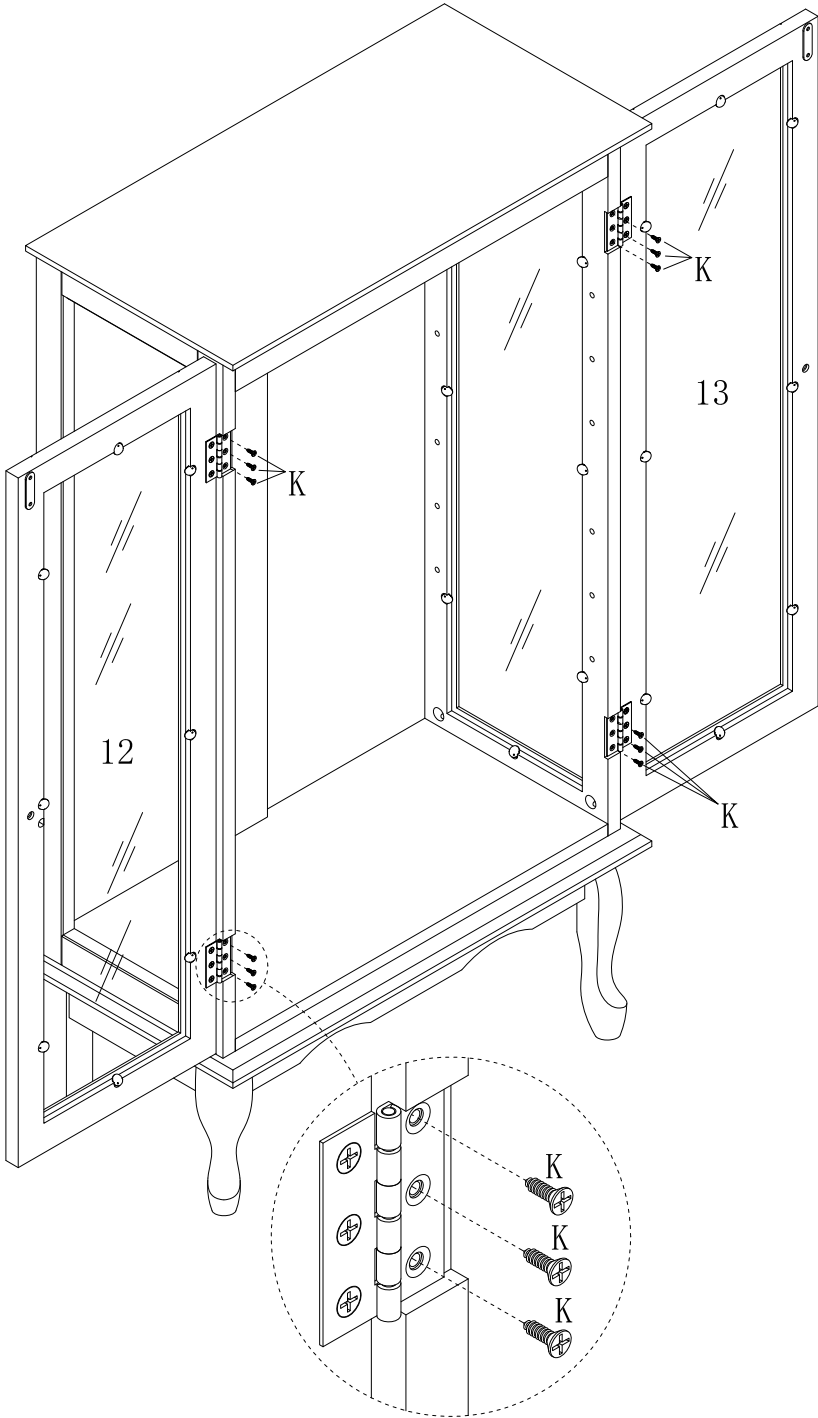
H:		2PCS
I:		2PCS
J:		2PCS
K:		12PCS
L:		4PCS



ASSEMBLY INSTRUCTION

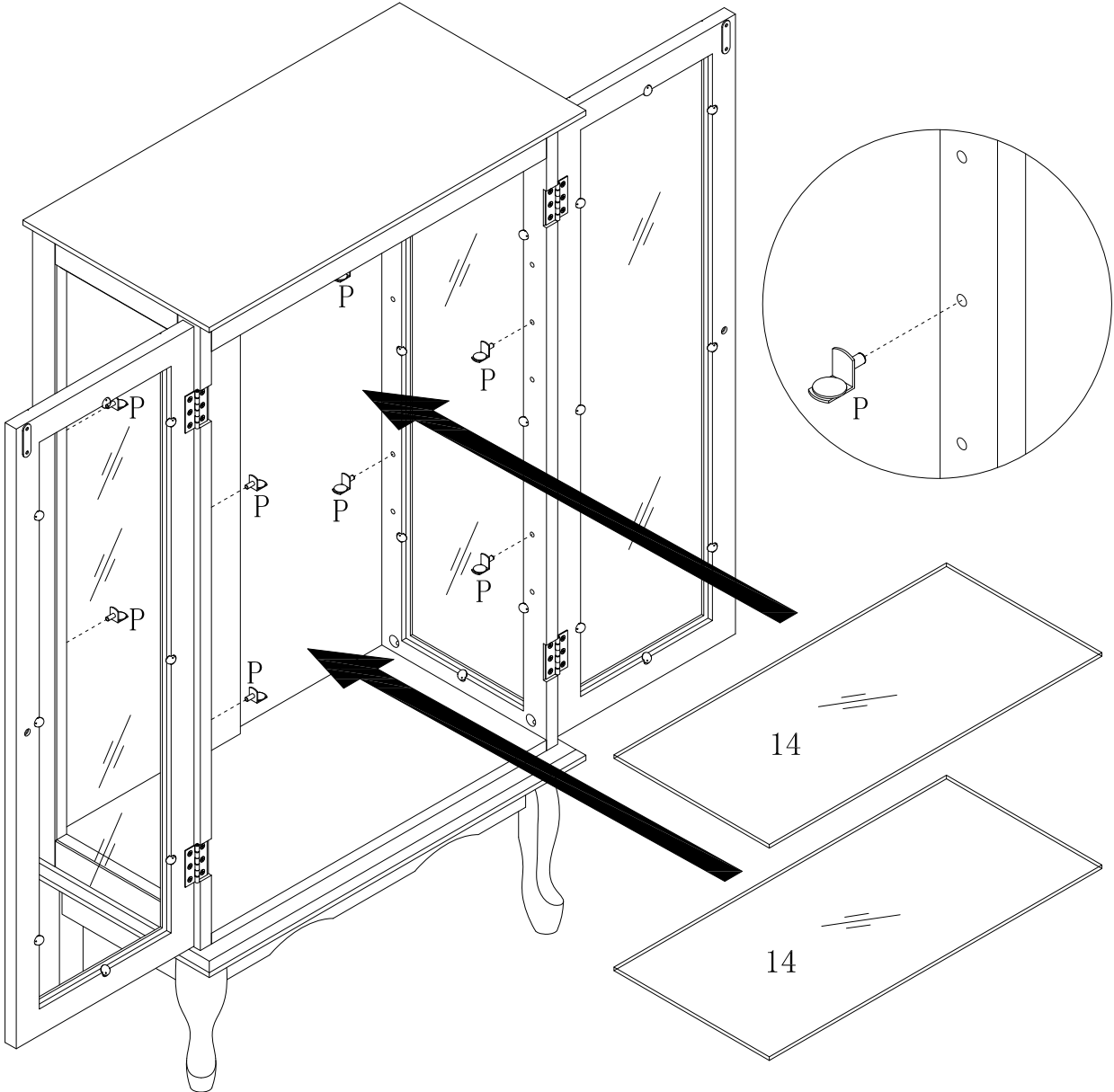
STEP 9

K:  12PCS






STEP 10

P:  8PCS



STEP 11

F:		1PC
R:		1PC
S:		1PC

