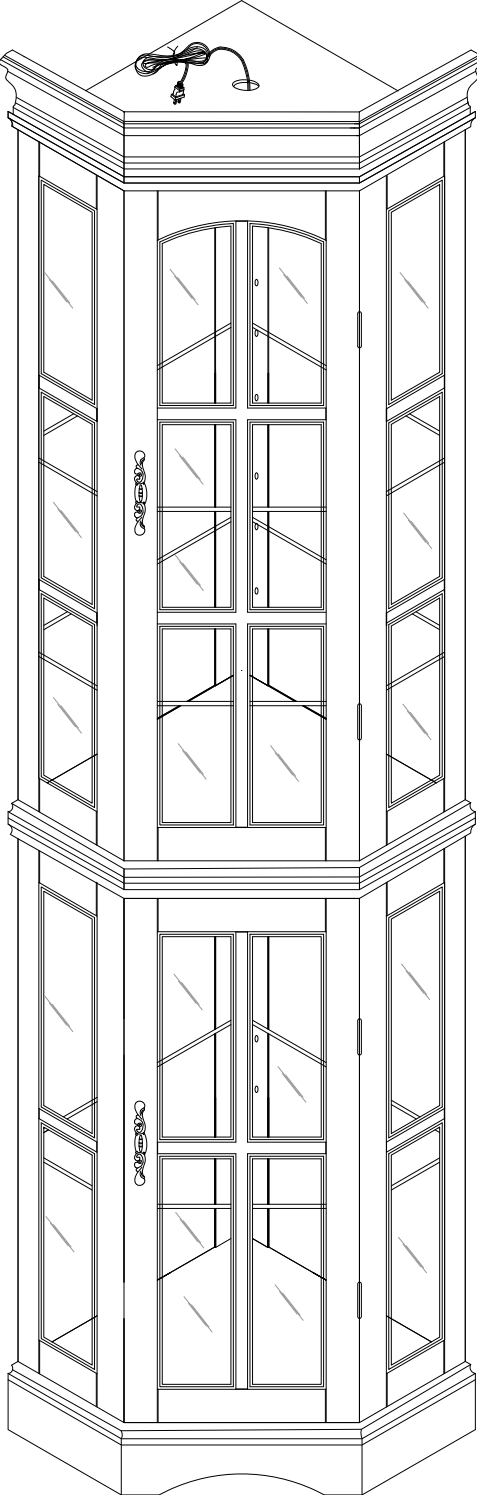
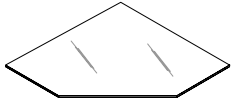
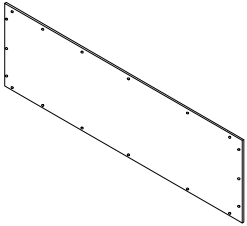
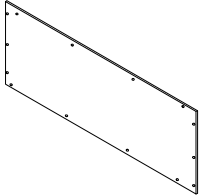
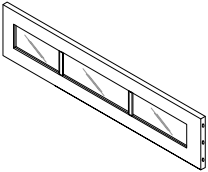
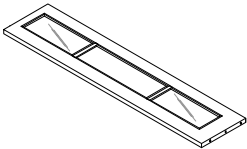


ASSEMBLY INSTRUCTION

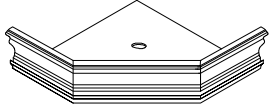
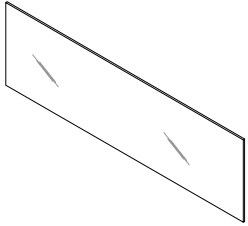
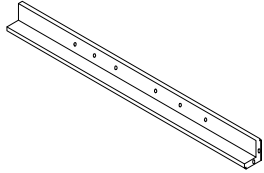
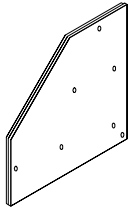
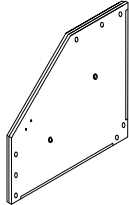


ASSEMBLY INSTRUCTION

Part List:

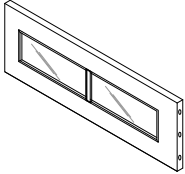
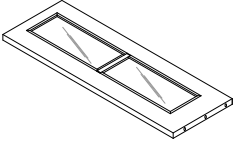
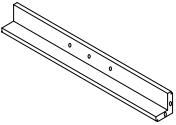
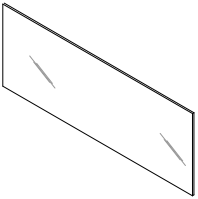
ITEM	DESCRIPTION	PART	QTY
1	Glass shelf		3
2	Top back panel		2
3	Bottom back panel		2
4	Top left side panel		1
5	Top right side panel		1

Part List:

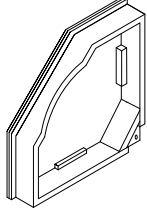
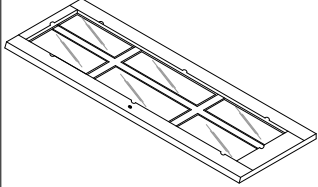
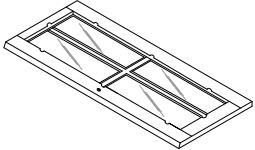
ITEM	DESCRIPTION	PART	QTY
6	Top panel		1
7	Top back mirrors		2
8	Top back bracing panel		1
9	Middle top panel		1
10	Middle bottom panel		1

ASSEMBLY INSTRUCTION

Part List:







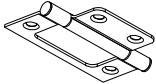
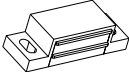

ITEM	DESCRIPTION	PART	QTY
11	Bottom left side panel		1
12	Bottom Right side panel		1
13	Bottom Back bracing panel		1
14	Bottom back mirrors		2

Part List:


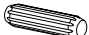







ITEM	DESCRIPTION	PART	QTY
15	Bottom panel		1
16	Top door		1
17	Bottom door		1

ASSEMBLY INSTRUCTION





Hardware List:

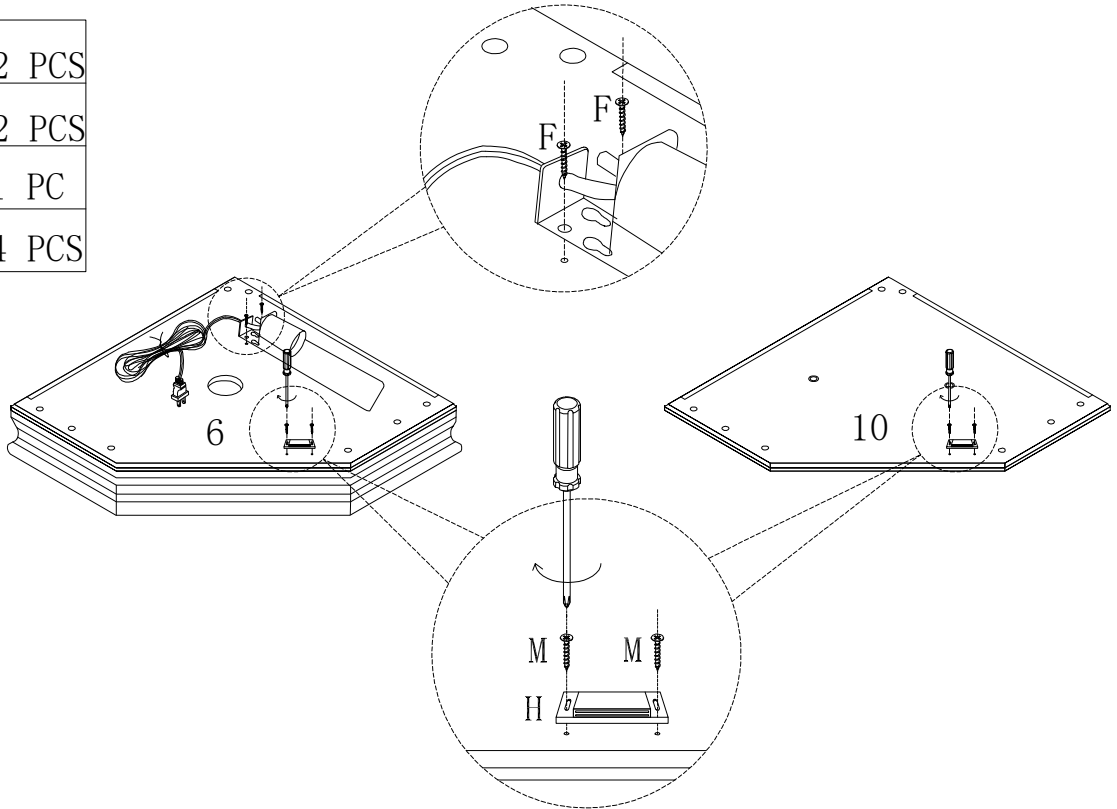
ITEM	DESCRIPTION	PART	QTY
A	Wooden dowel	 ø8*30mm	21
B	Bolt	 ø1/4"*1"	13
C	Allen wrench		1
D	Handle		2
E	Machine screw	 ø4*22	2
F	Wood screw	 ø3*12mm	19
G	Hinge		4
H	Magnet		2
I	Lamp unit		1

Hardware List:




ITEM	DESCRIPTION	PART	QTY
J	Shelf support		16
K	Wooden dowel	 ø8*20mm	2
L	Bolt	 ø1/4"*7/8"	2
M	Wood screw	 ø3*16mm	4
N	Safety wall strap		2
O	Plastic anchor		2
P	Mounting screw	 ø4*38mm	2
Q	Flat washer		2
R	Back screw	 ø3*12mm	62

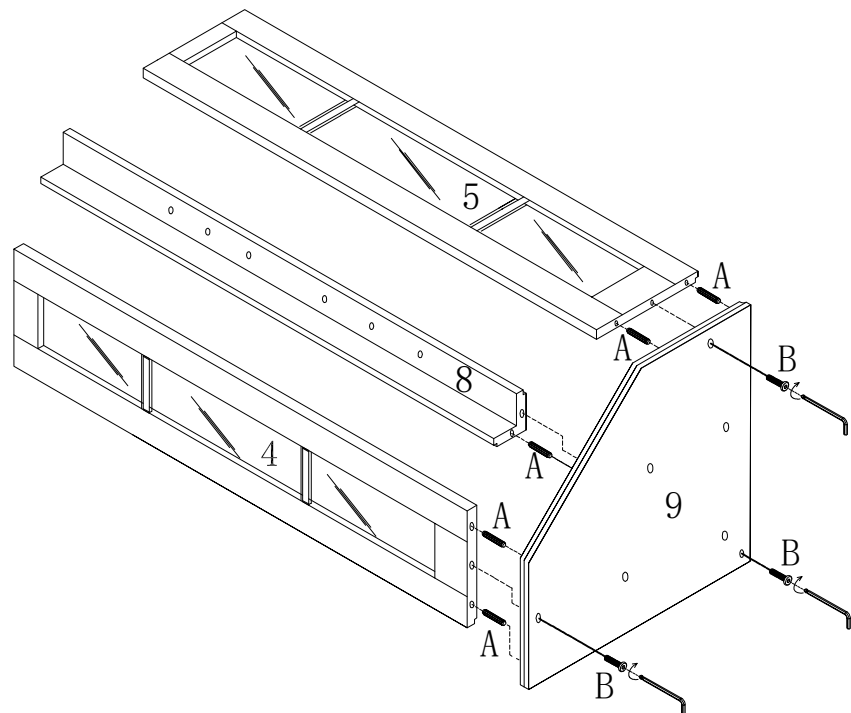
STEP 1

H:		2 PCS
F:		2 PCS
I:		1 PC
M:		4 PCS






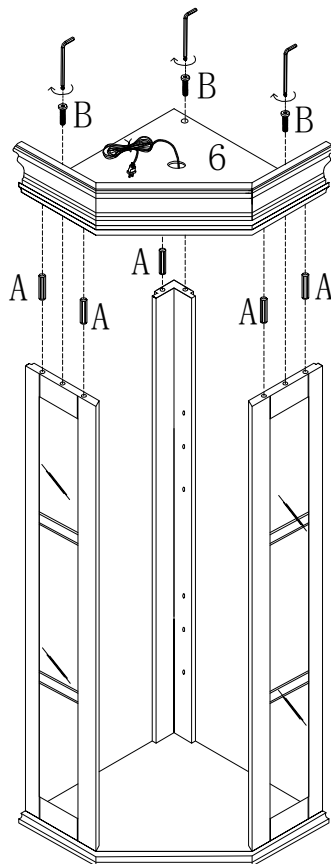
STEP 2

C:		1 PC
B:		3 PCS
A:		5 PCS





STEP 3

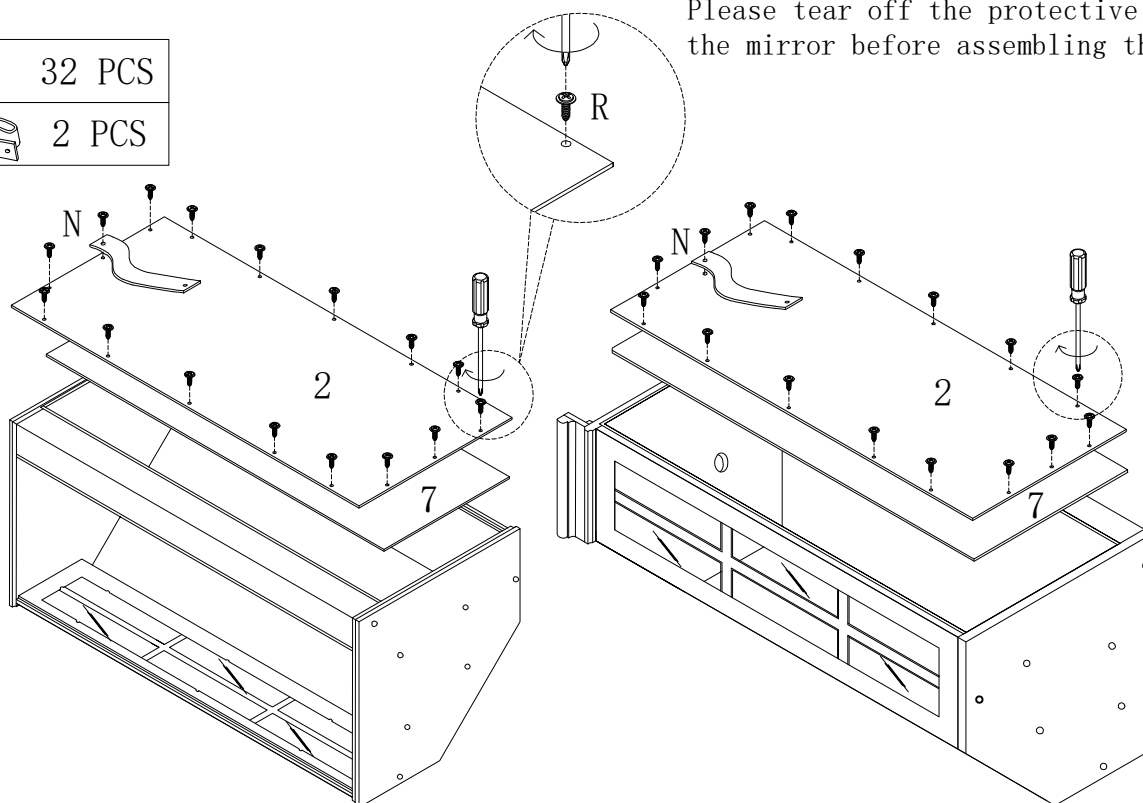
C:		1 PC
B:		3 PCS
A:		5 PCS






STEP 4

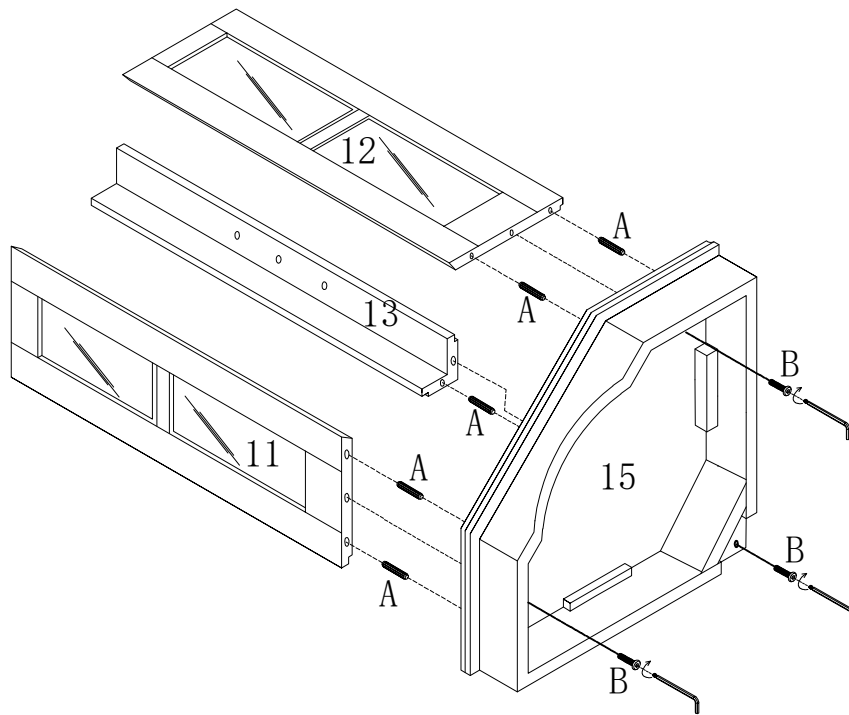
R:		32 PCS
N:		2 PCS

Please tear off the protective film of the mirror before assembling the mirror.






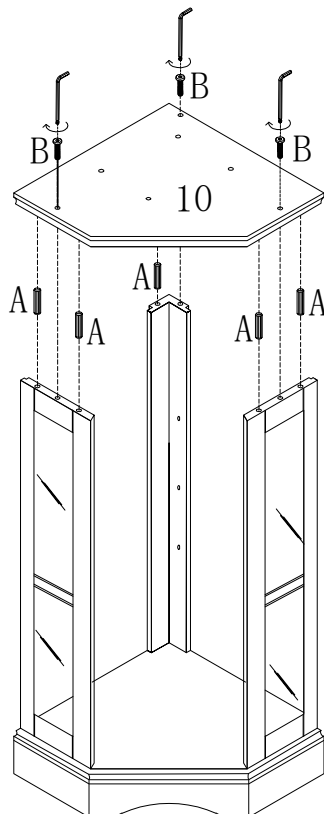
STEP 5

C:		1 PC
B:		3 PCS
A:		5 PCS



STEP 6

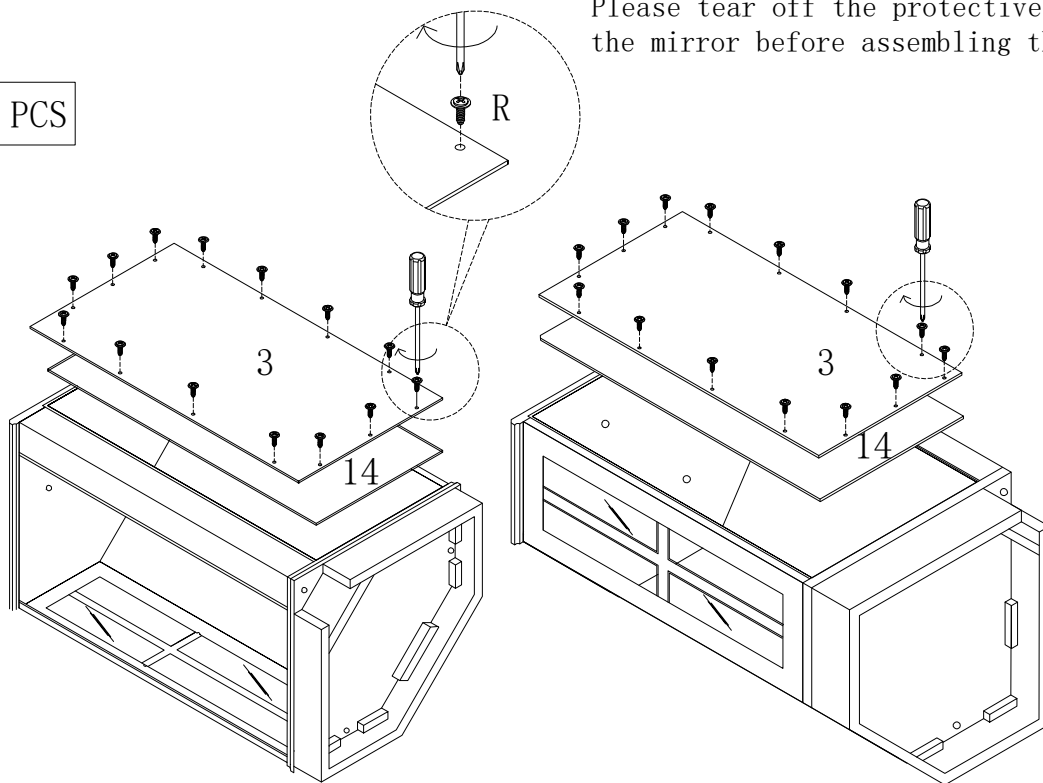
C:		1 PC
B:		3 PCS
A:		5 PCS





STEP 7

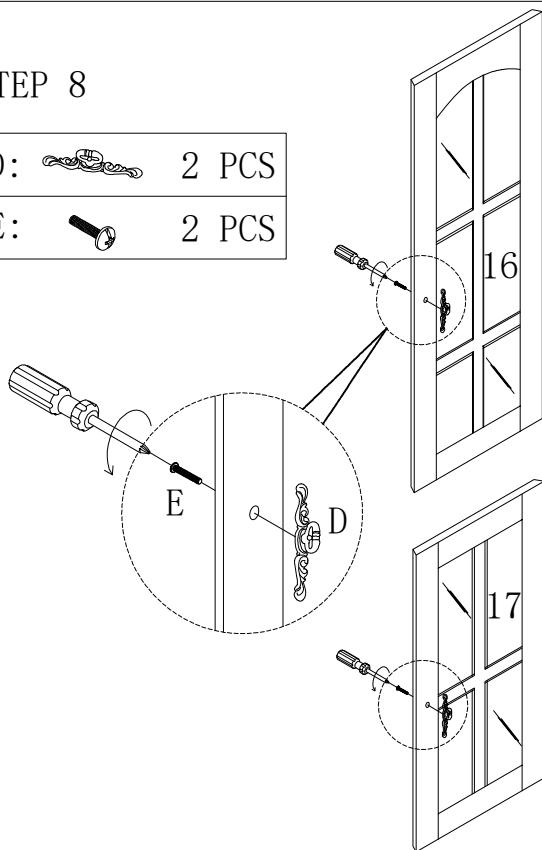
R:  28 PCS

Please tear off the protective film of the mirror before assembling the mirror.





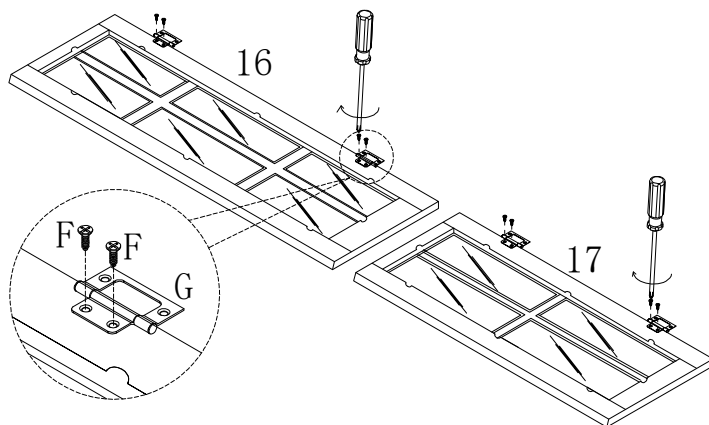
STEP 8

D:  2 PCS
E:  2 PCS



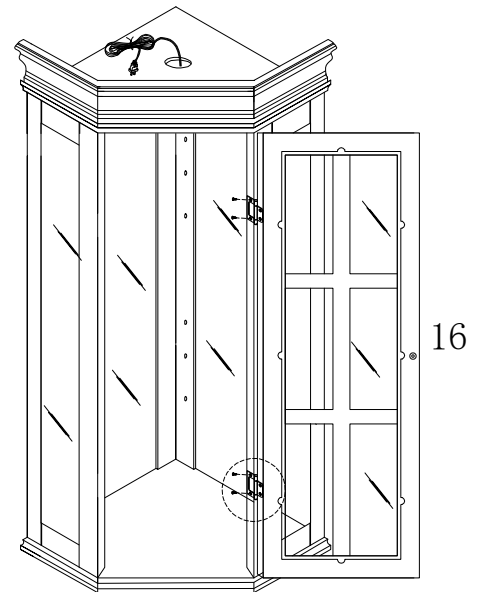
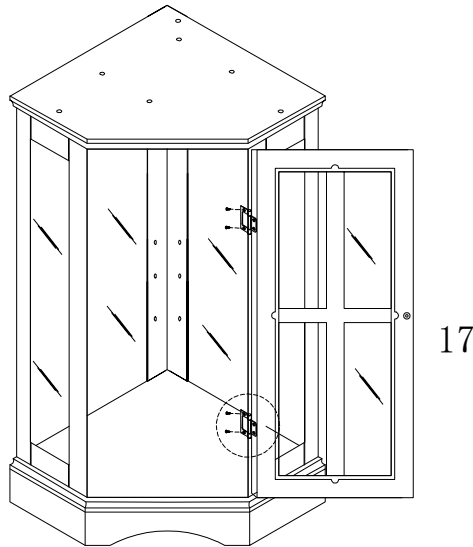
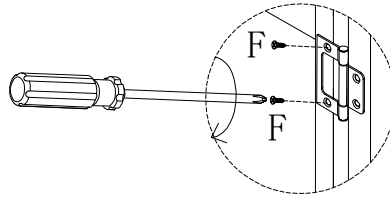
STEP 9

F:  8 PCS
G:  2 PCS




STEP 10


F:  8 PCS

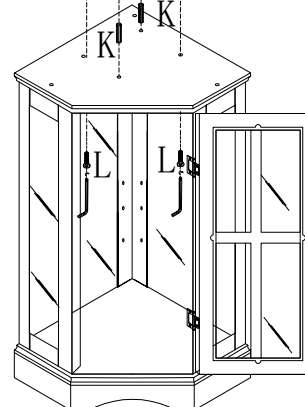
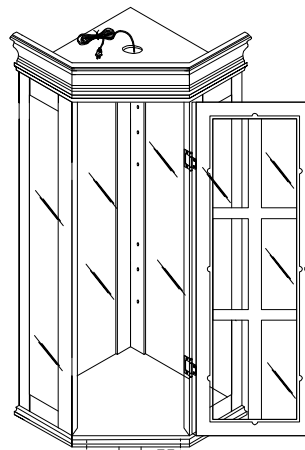


STEP 11


C:  1 PC

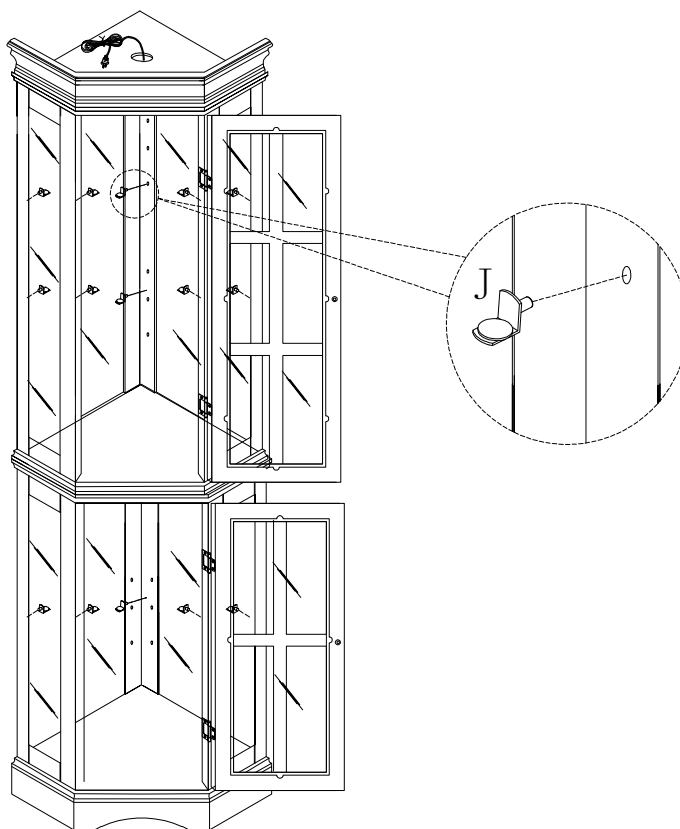
L:  2 PCS
 $\phi 1/4" * 7/8"$

K:  2 PCS
 $\phi 8 * 20\text{mm}$

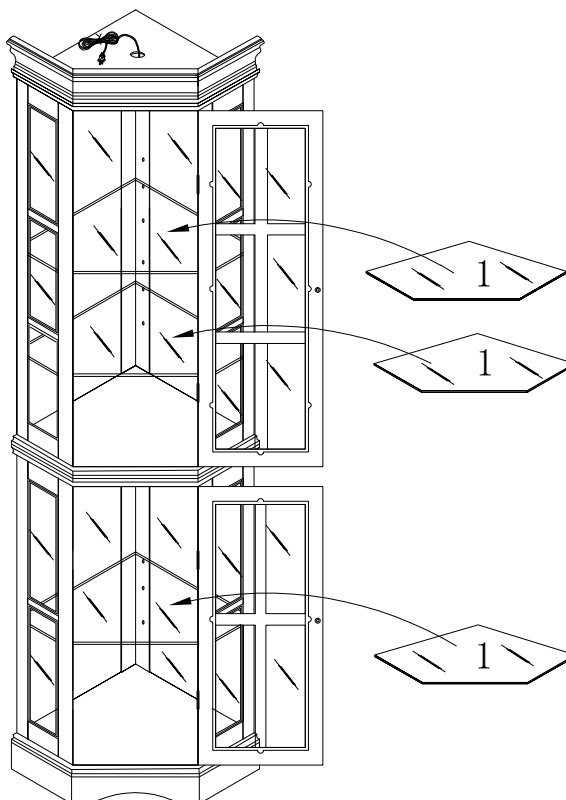


STEP 12




J:  15 PCS



STEP 13



STEP 14

Q:		2 PCS
O:		2 PCS
P:		2 PCS

