




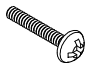
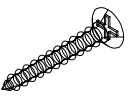

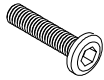
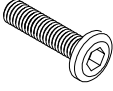
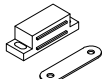
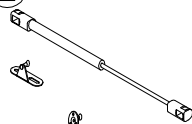
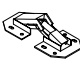
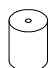
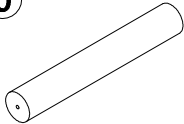
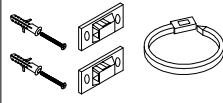
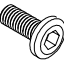
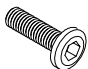
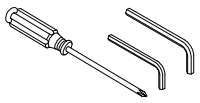
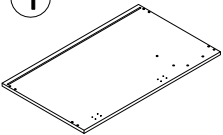
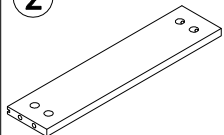
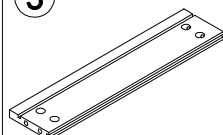
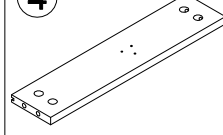
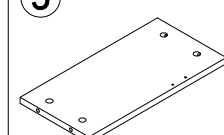
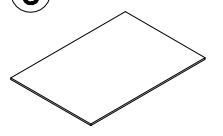
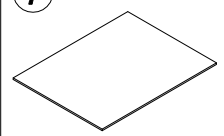
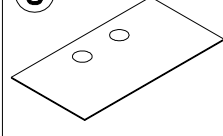
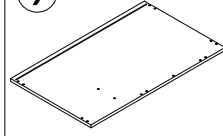
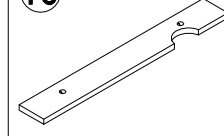
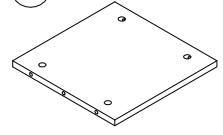
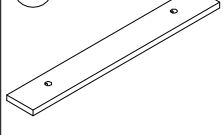
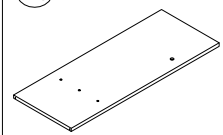
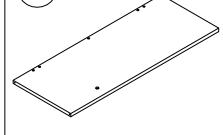
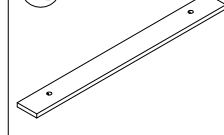
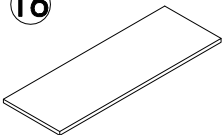
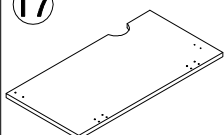
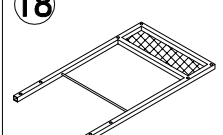
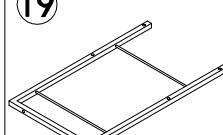
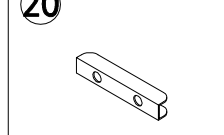


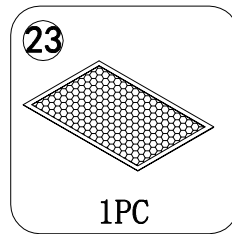
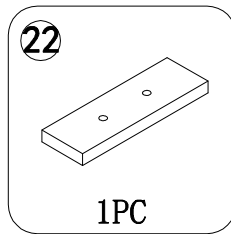
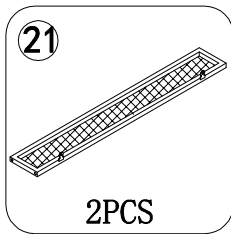
Keep out of reach of children!

Hardware List

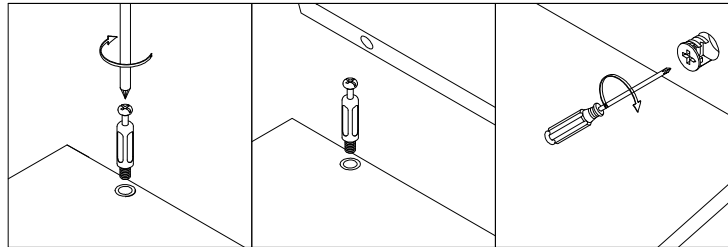
A  30+2PCS (M6*40)	B  11+1PCS (M8*40)	C  30+2PCS (ø12*15)	D  32+2PCS	E  27+2PCS (M4*12)
F  4+1PCS (M4*25)	G  8+1PCS (M4*40)	H  4+1PCS (M6*25)	I  8+1PCS (M6*30)	J  2PCS (M8*50)
K  1PC	L  1PC	M  2PCS	N  4PCS	O  1PC
P  1PCS	Q  8+1PCS (M6*10)	R  2PCS (M6*20)	S  1PC	

Panel List

1  1PC	2  1PC	3  2PC	4  1PC	5  1PC
6  1PC	7  1PC	8  1PC	9  1PC	10  1PC
11  1PC	12  1PC	13  1PC	14  1PC	15  1PC
16  1PC	17  1PC	18  2PCS	19  2PCS	20  4PCS

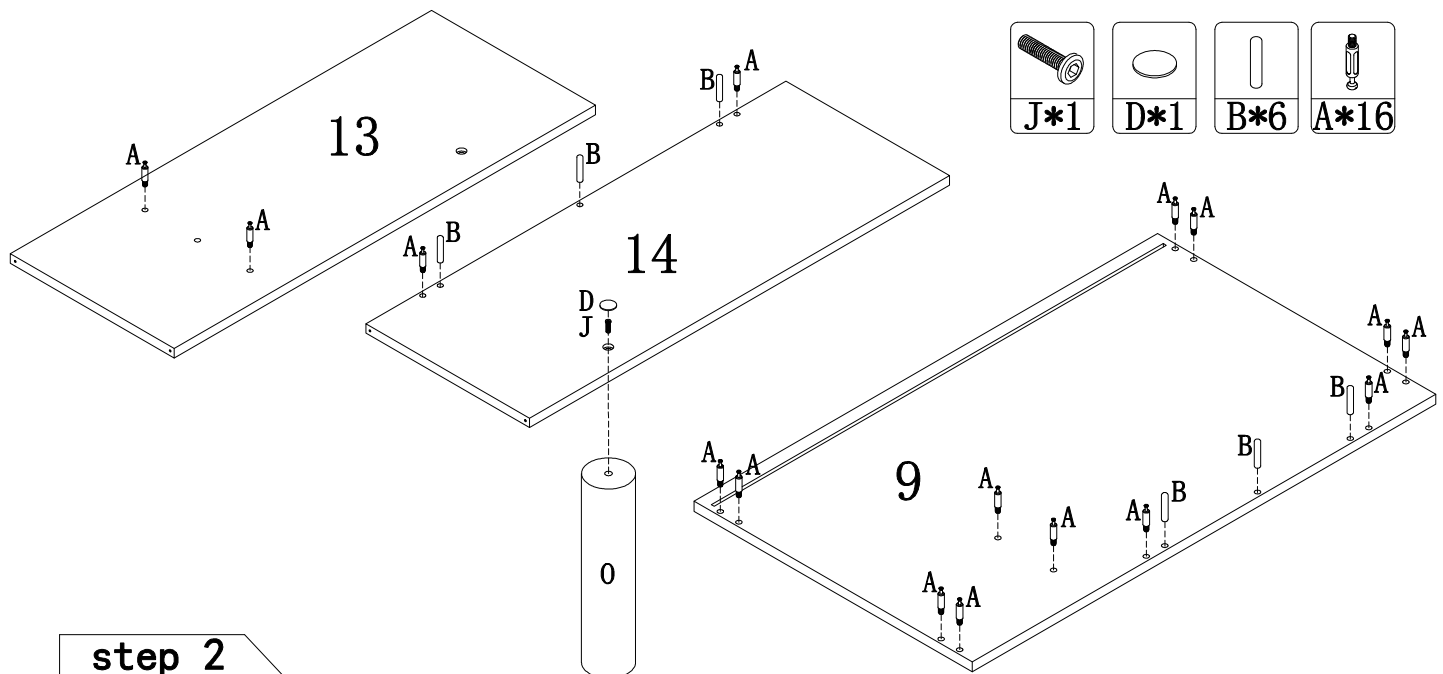


Assembling the unit with camlocks and wood dowels

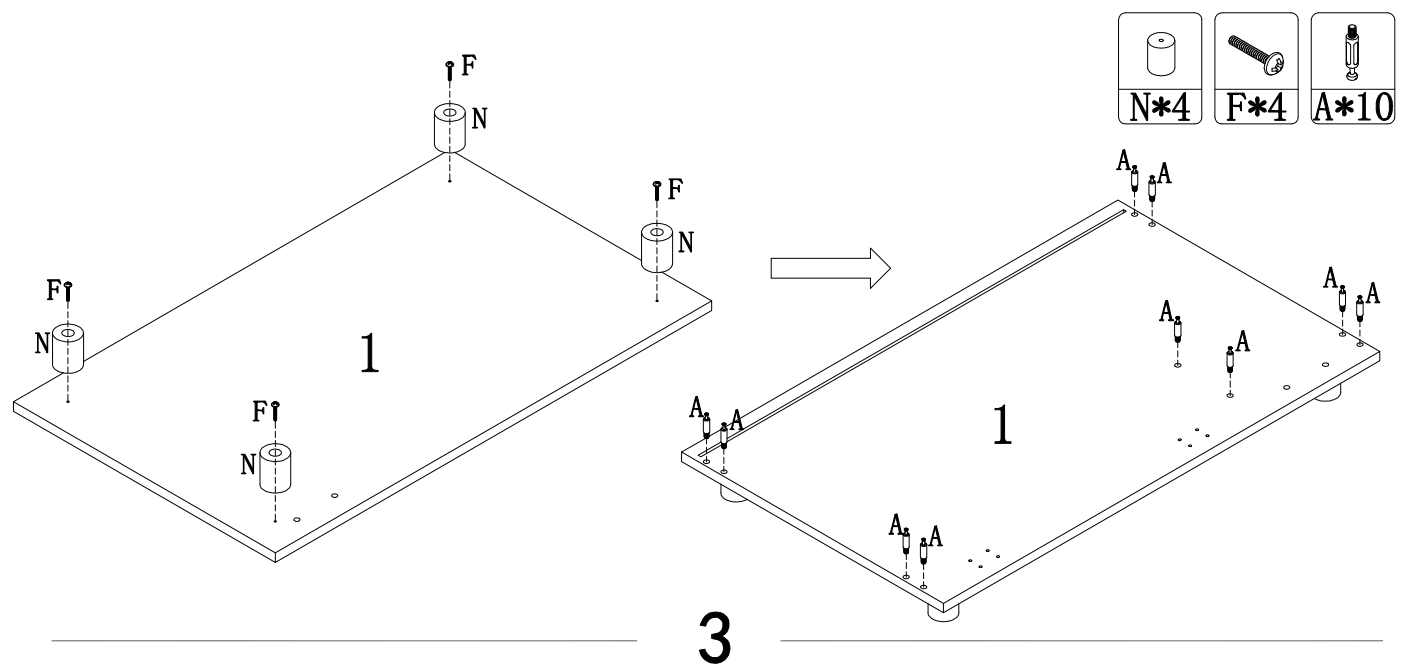


Assembly instructions

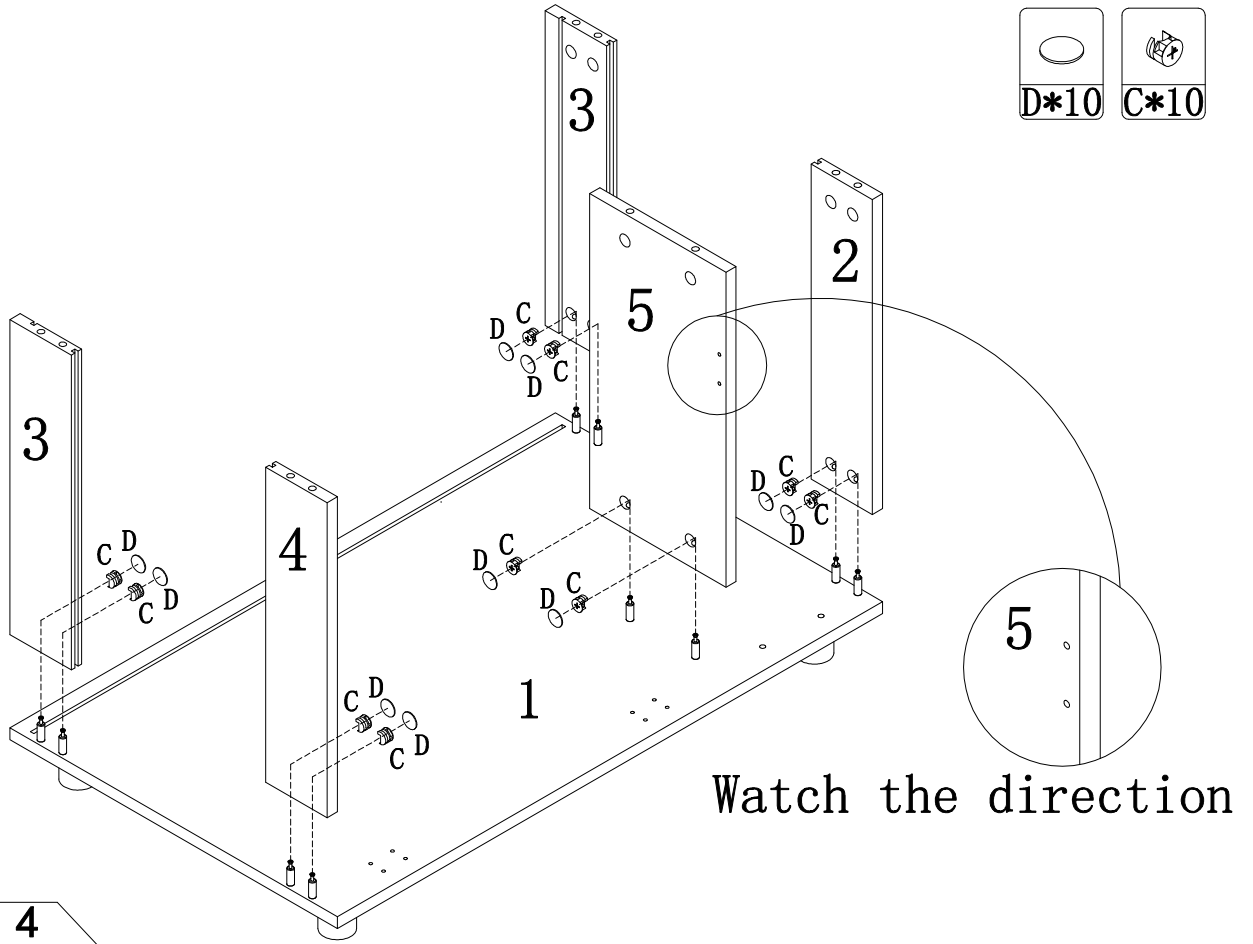
step 1



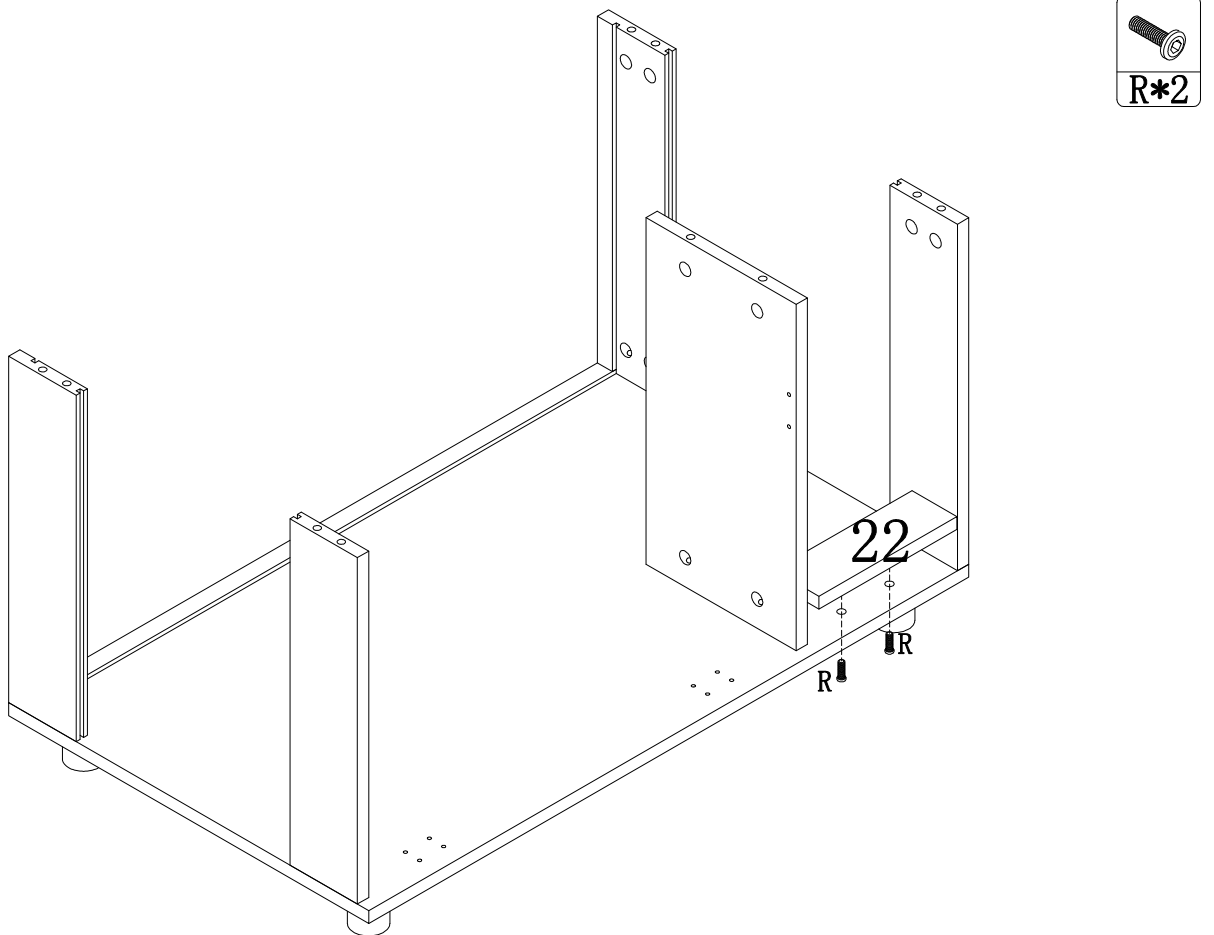
step 2



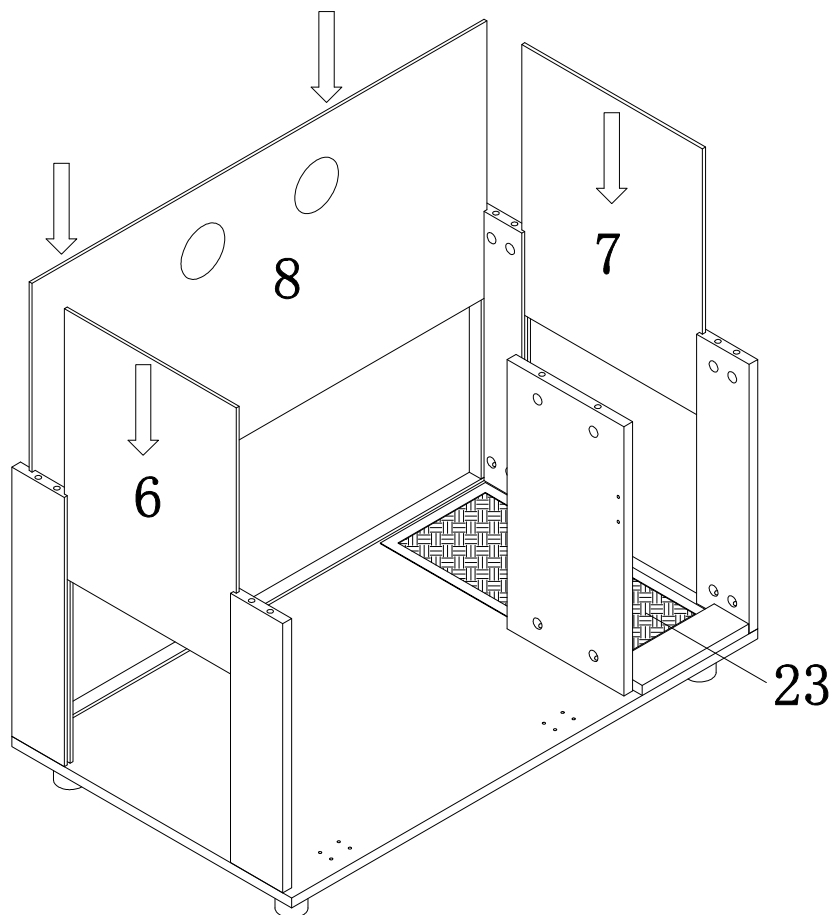
step 3



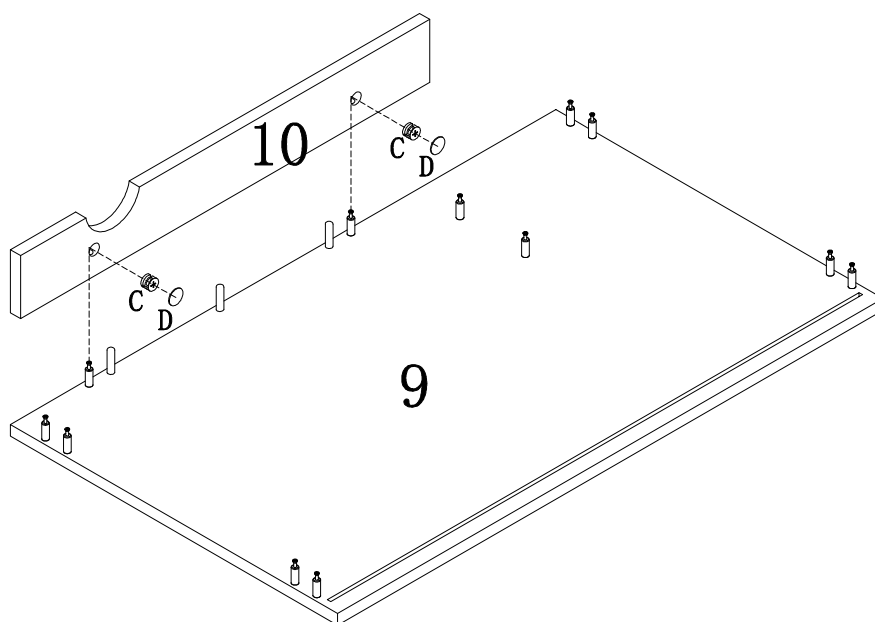
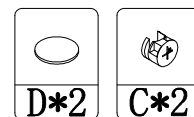
step 4



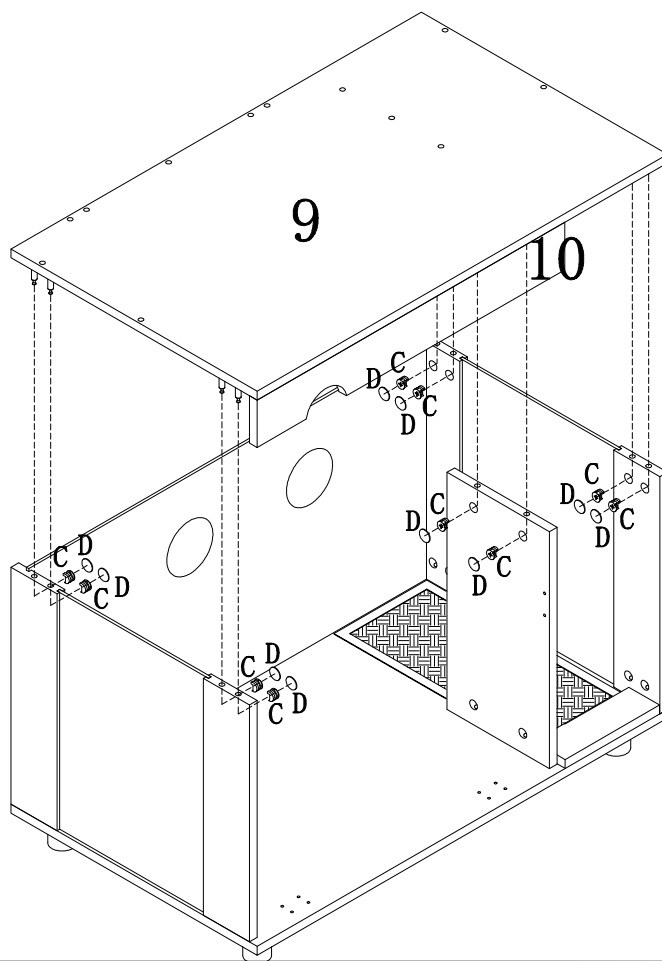
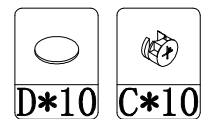
step 5



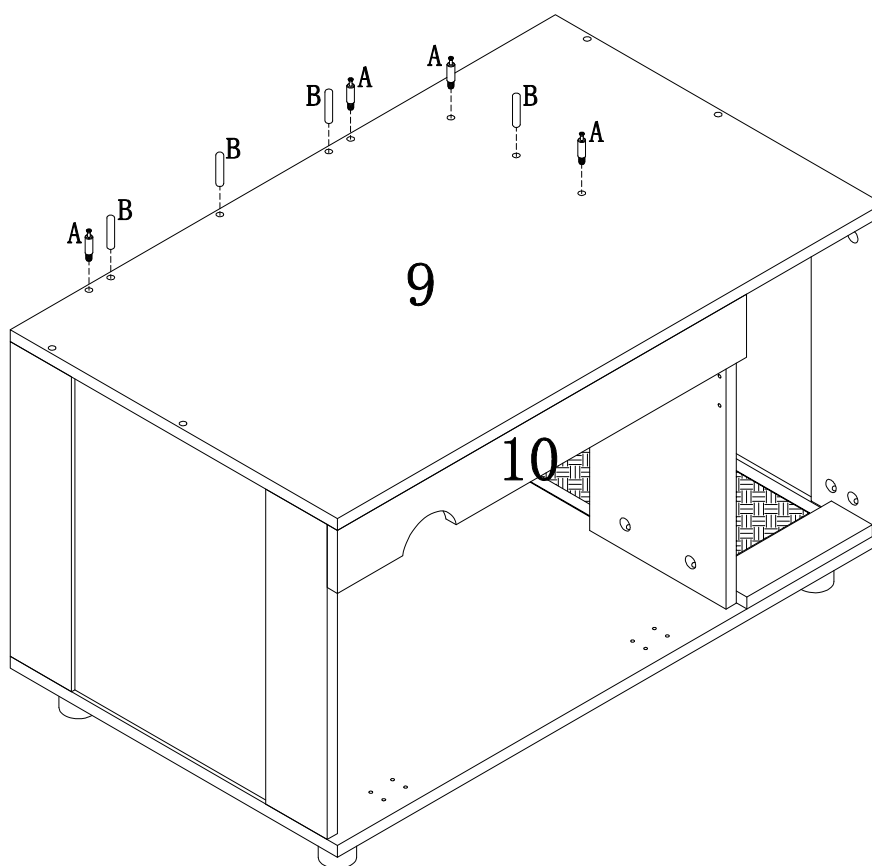
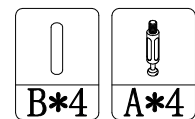
step 6



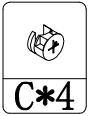
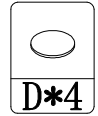
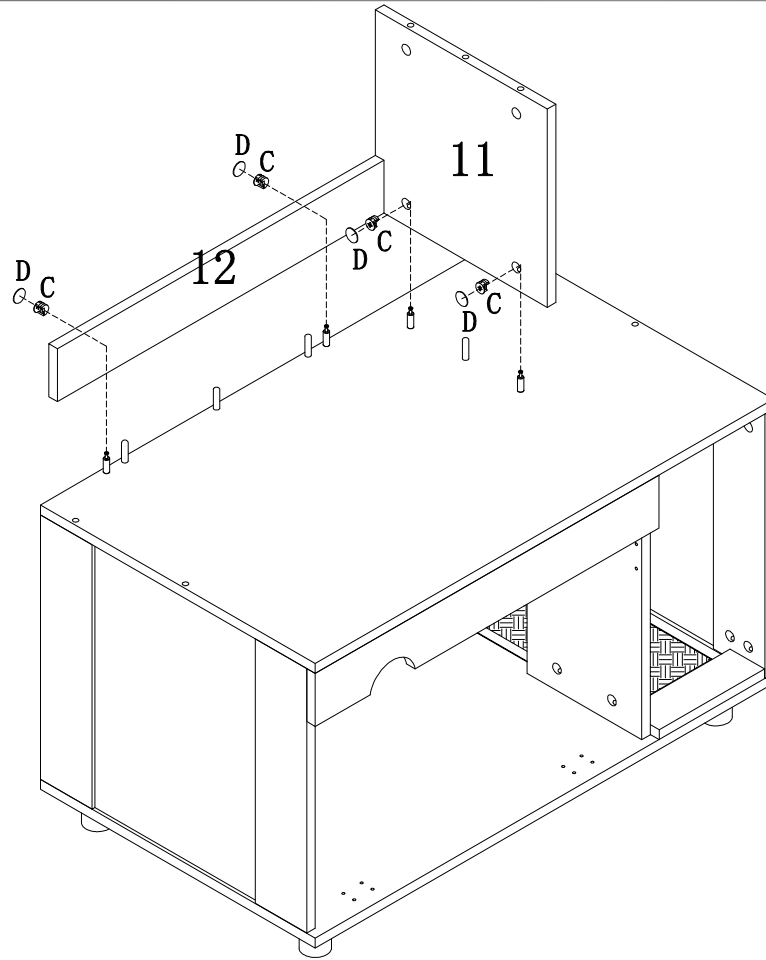
step 7



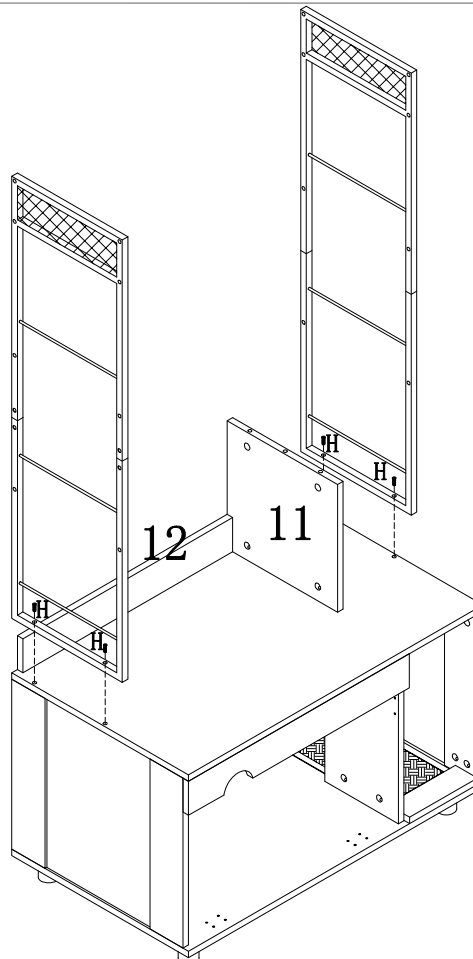
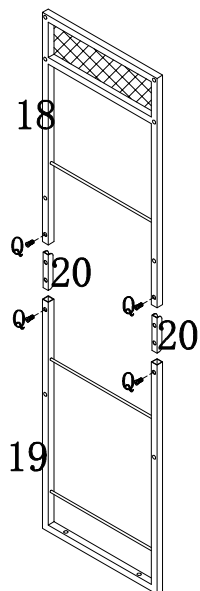
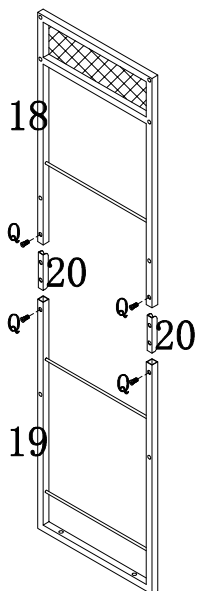
step 8



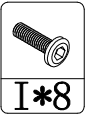
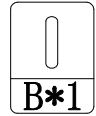
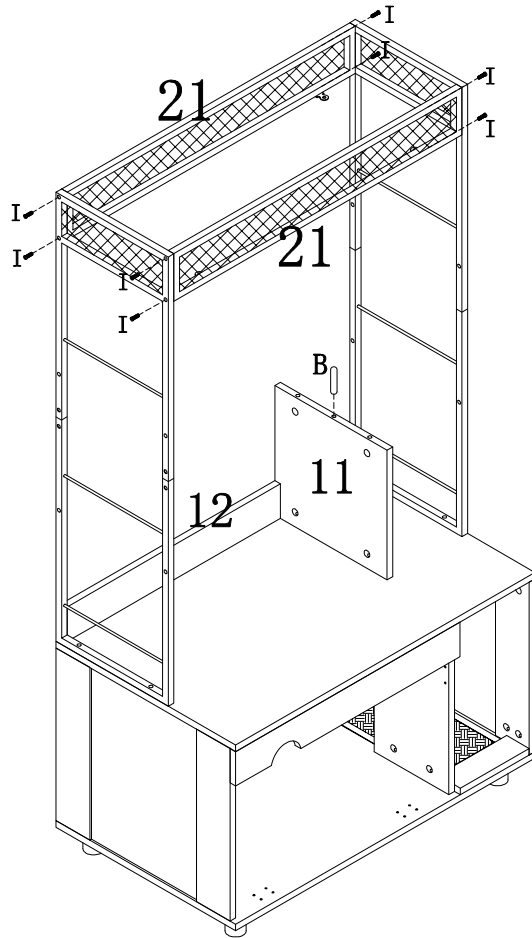
step 9



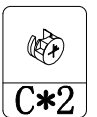
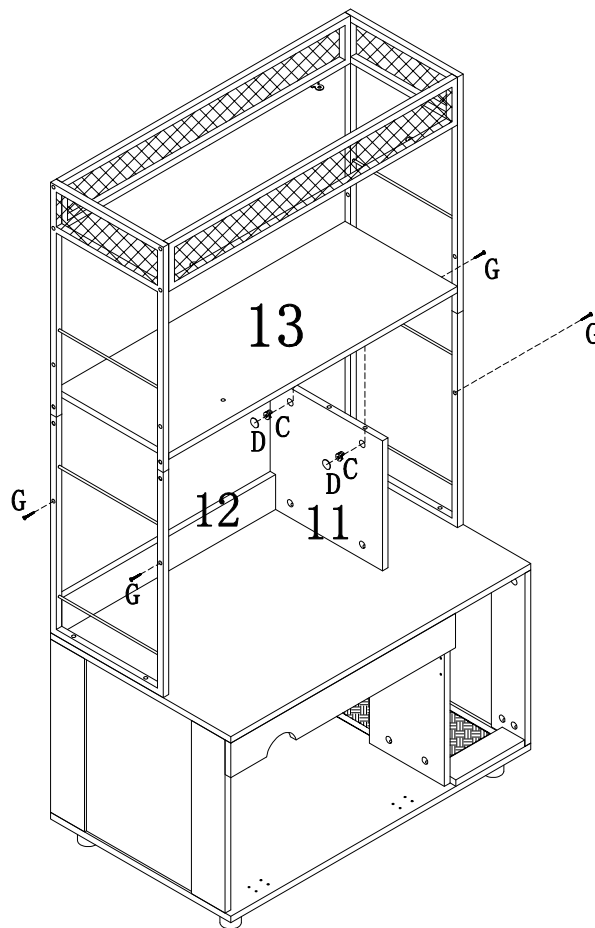
step 10



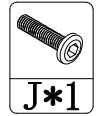
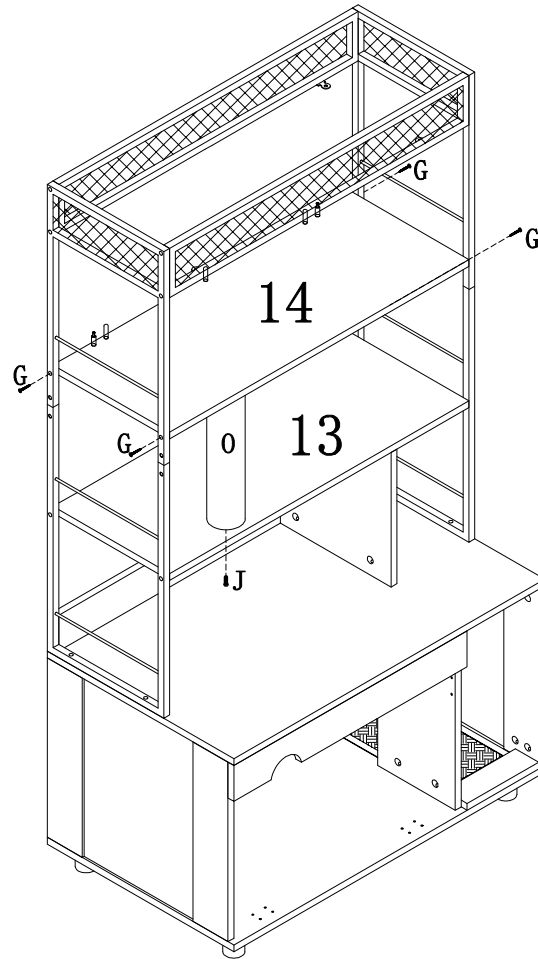
step 11



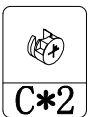
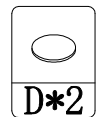
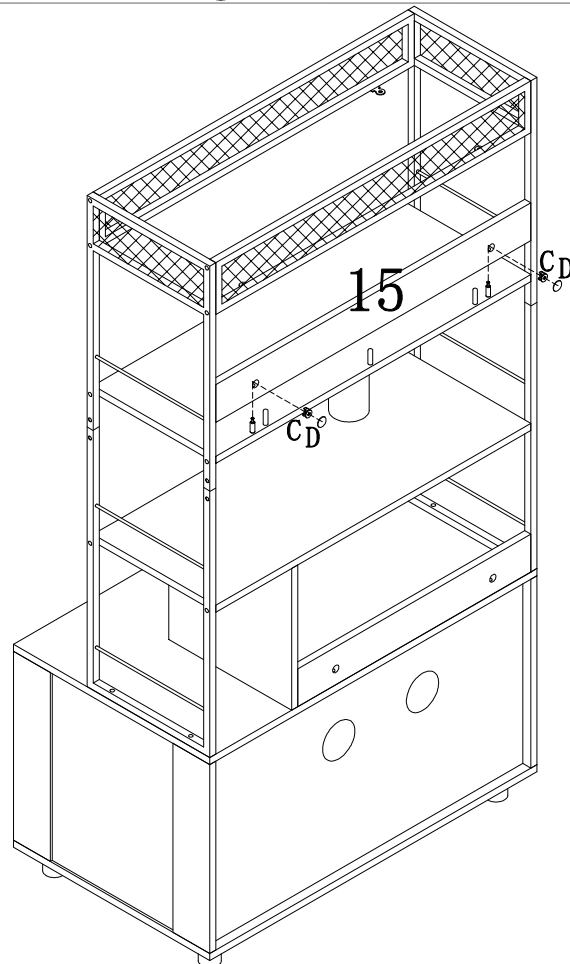
step 12



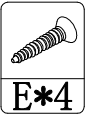
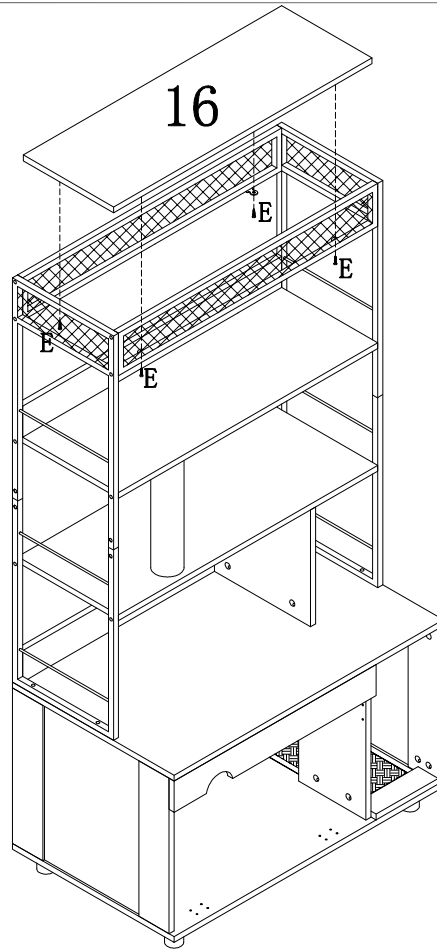
step 13



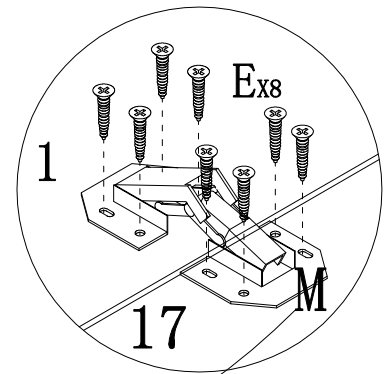
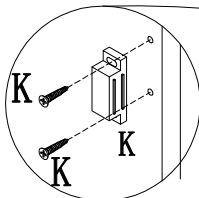
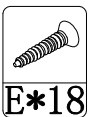
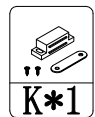
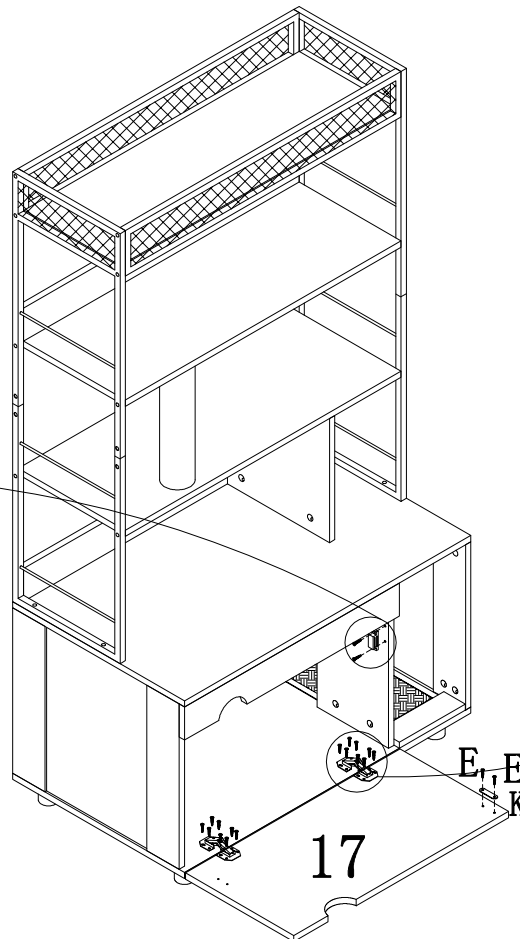
step 14



step 15

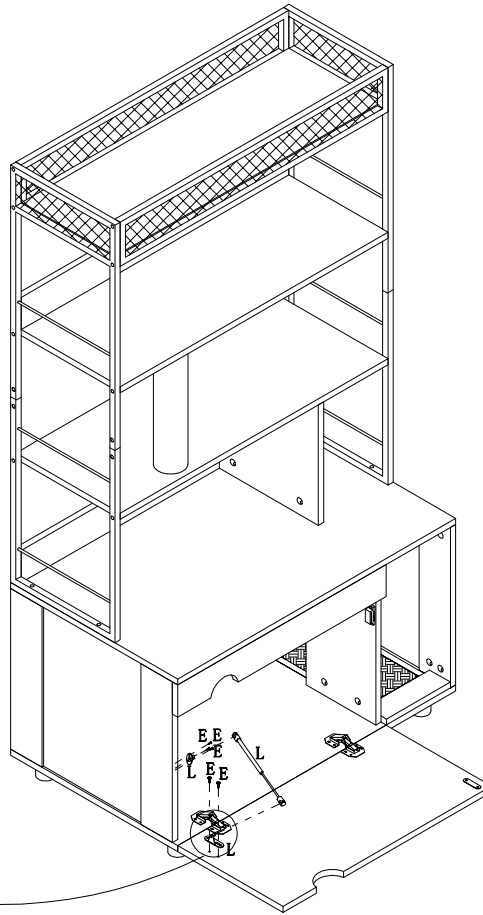
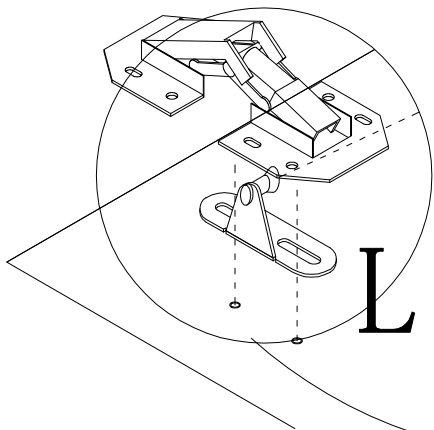
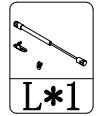


step 16

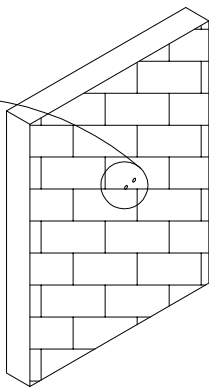
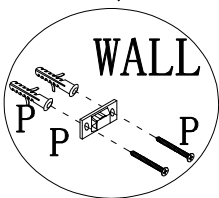
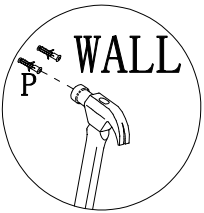
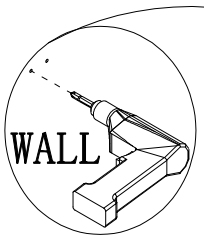
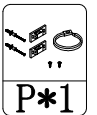


10

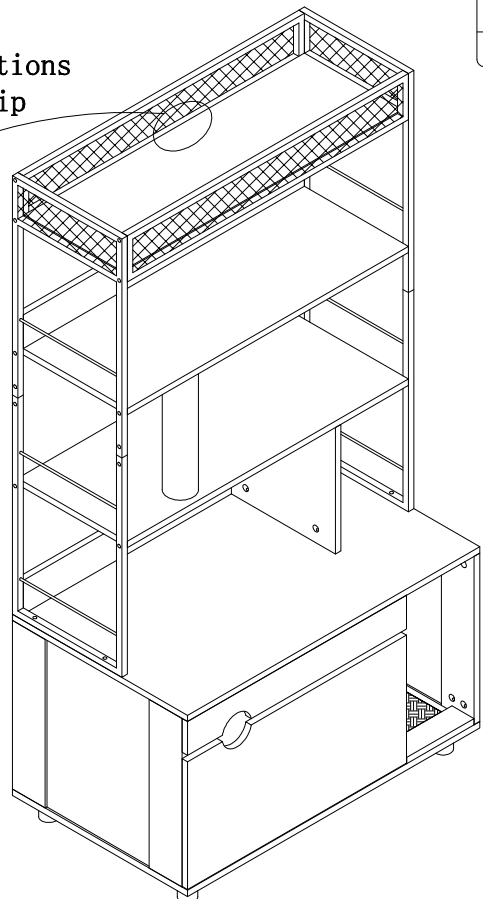
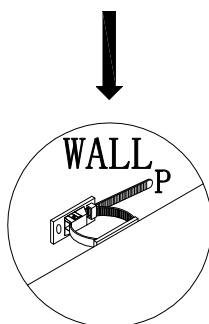
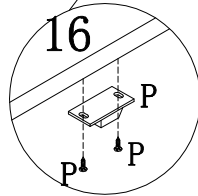
step 17

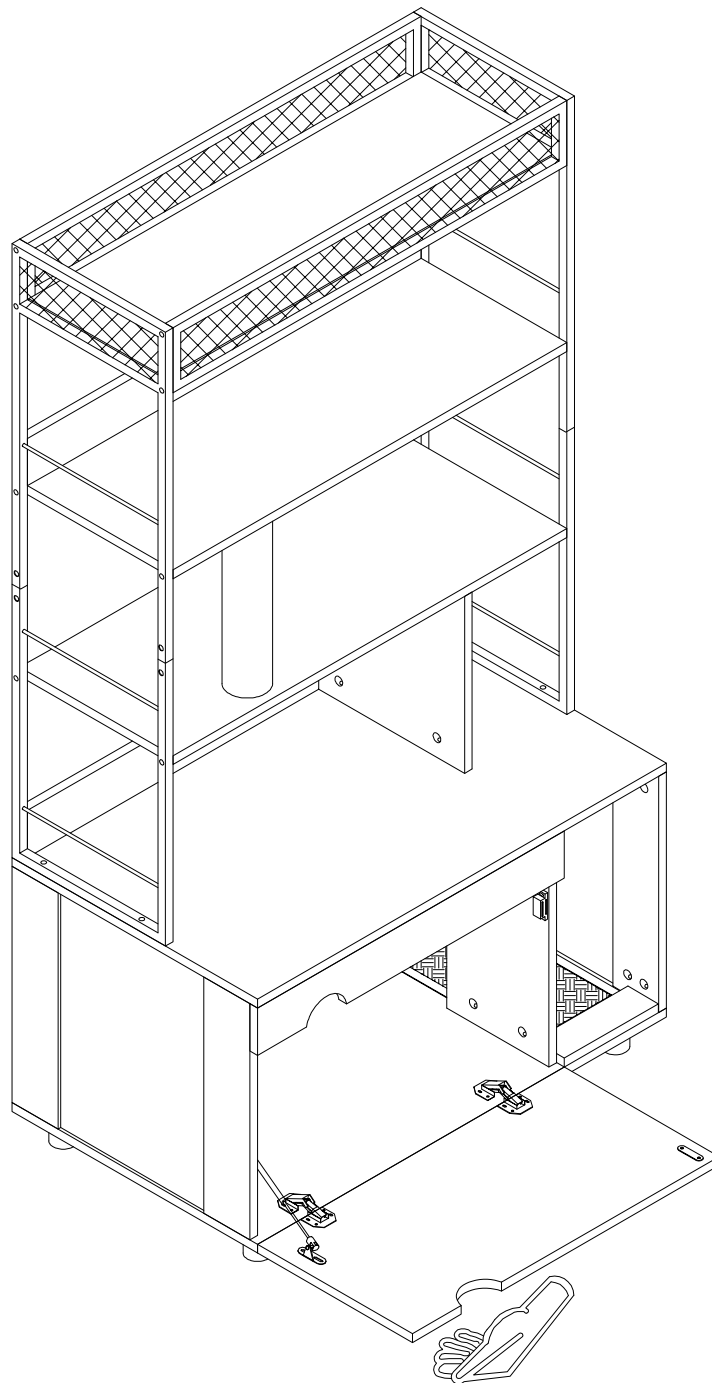


step 17



Installation instructions
for furniture anti-tip
device





When opening the door, please hold onto
the door