




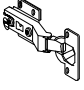
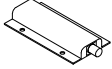


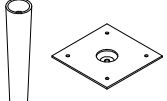
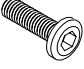
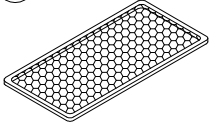
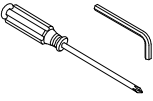
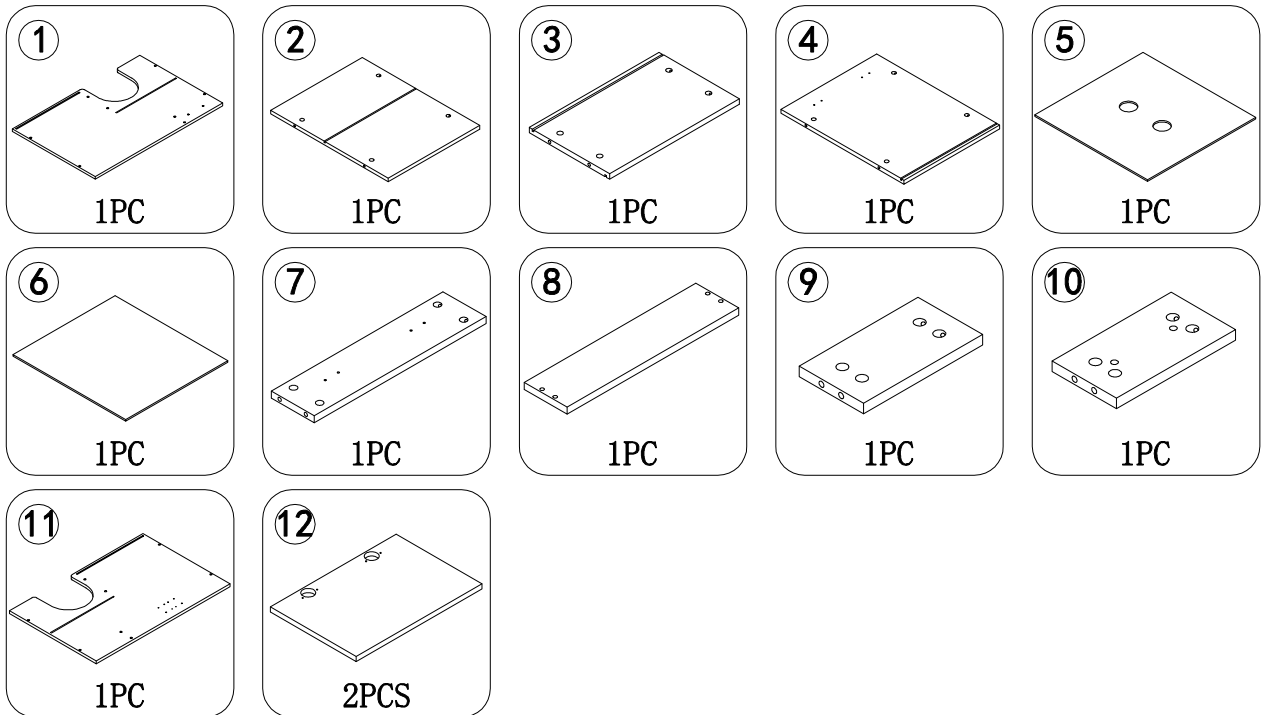


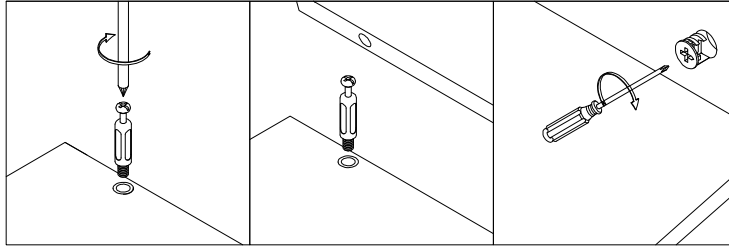
Hardware List

A  24PCS (M6*40)	B  24PCS (ø12*15)	C  12PCS	D  4PCS	E  48PCS (M4*12)
F  4PCS	G  2PCS	H  4PCS (M8*25)	I  4PCS	J  4PCS
K  2PCS (M6*20)	L  1PC	 1PC		

Panel List

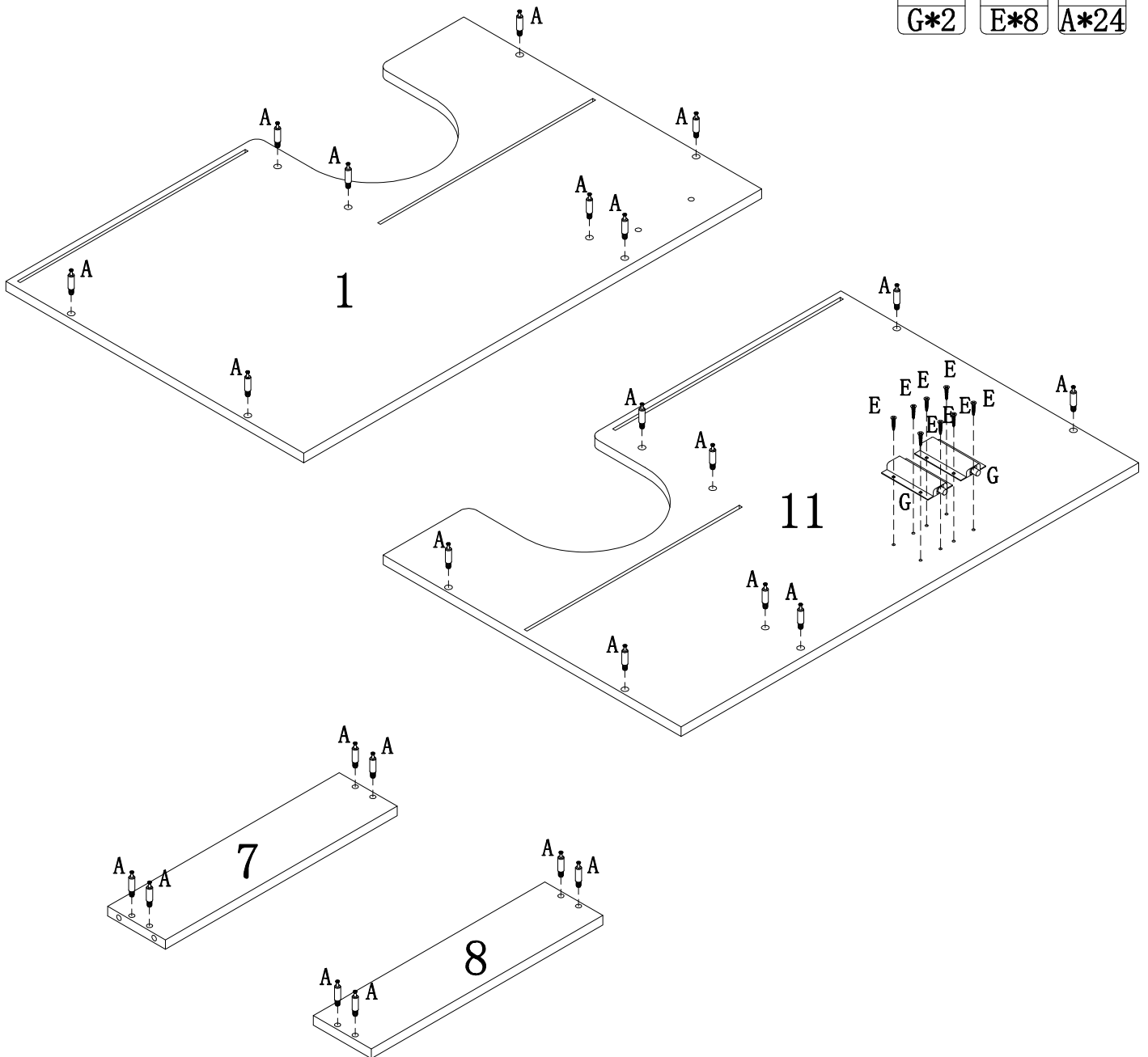
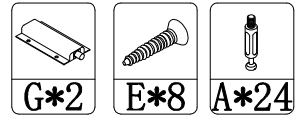


Assembling the unit with camlocks and wood dowels

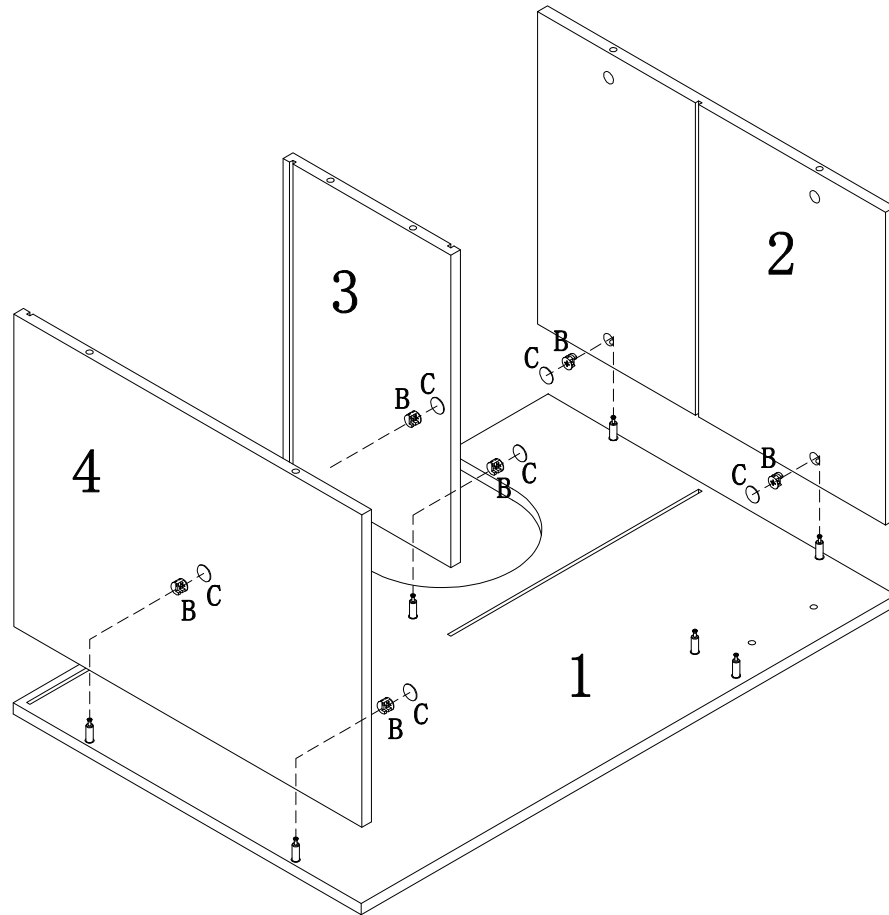
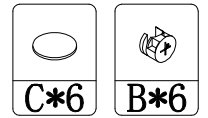


Assembly instructions

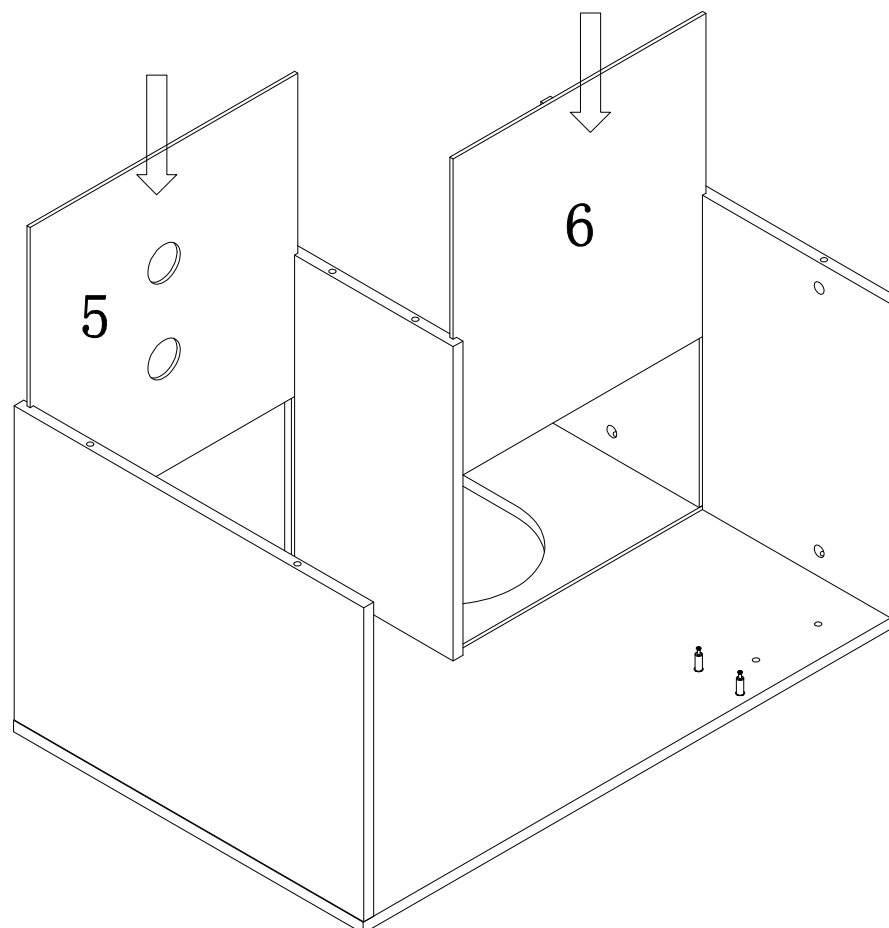
step 1



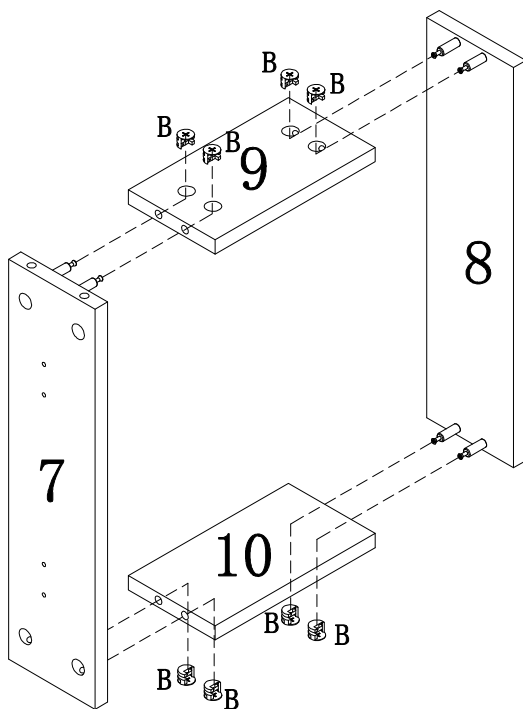
step 2



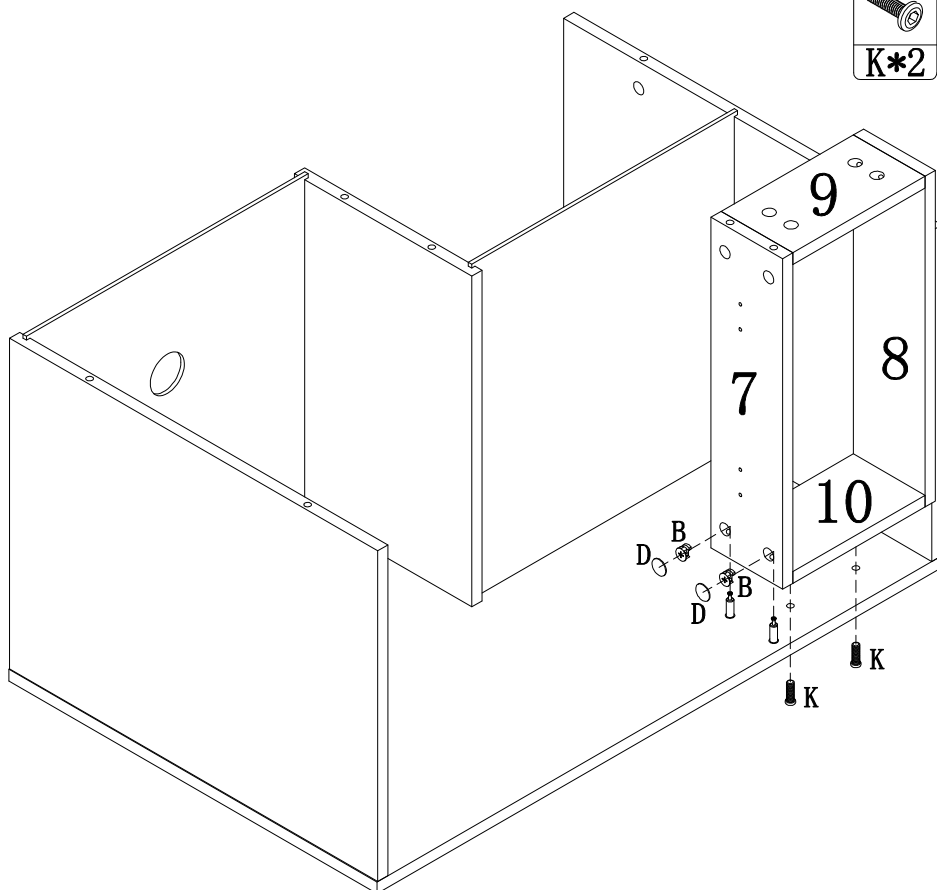
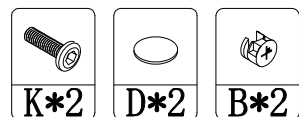
step 3



step 4

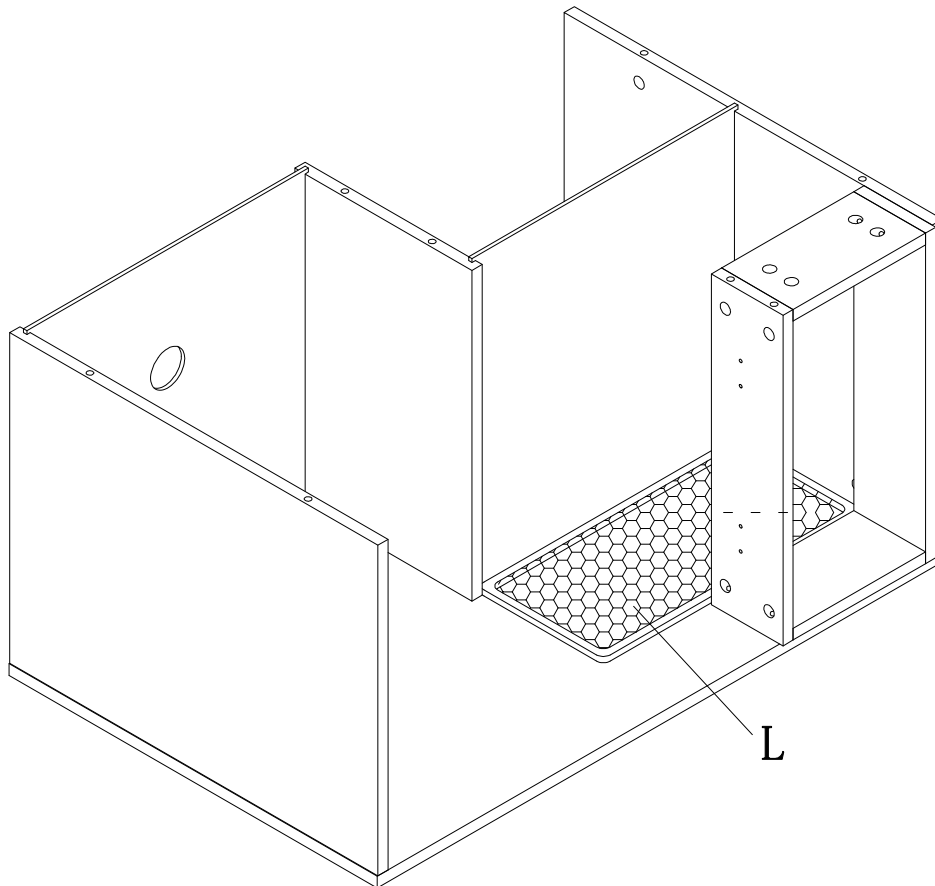


step 5

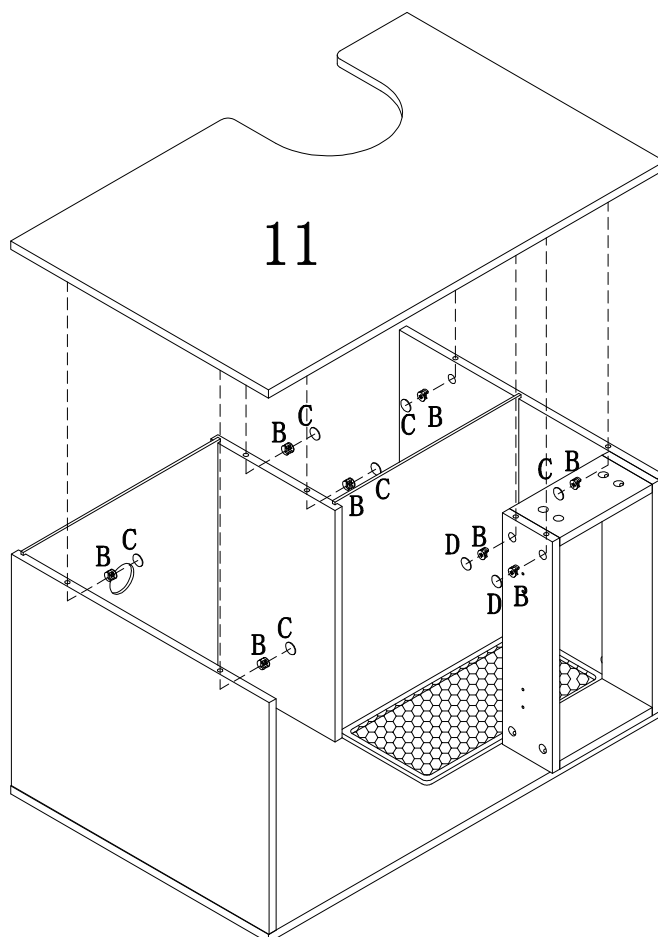


5

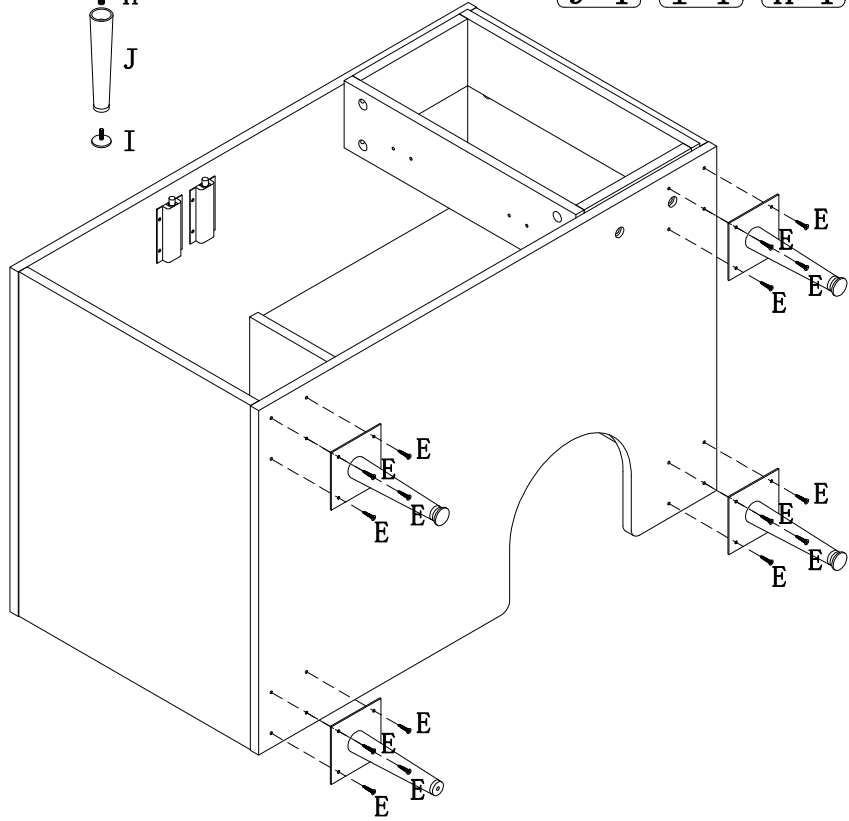
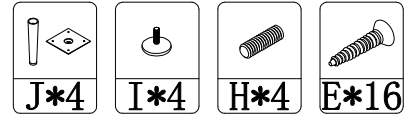
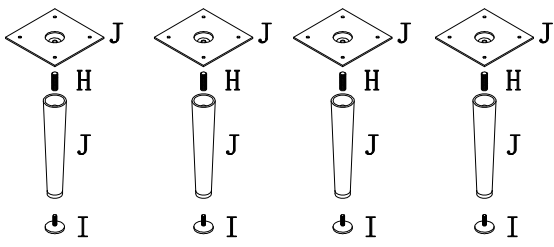
step 6



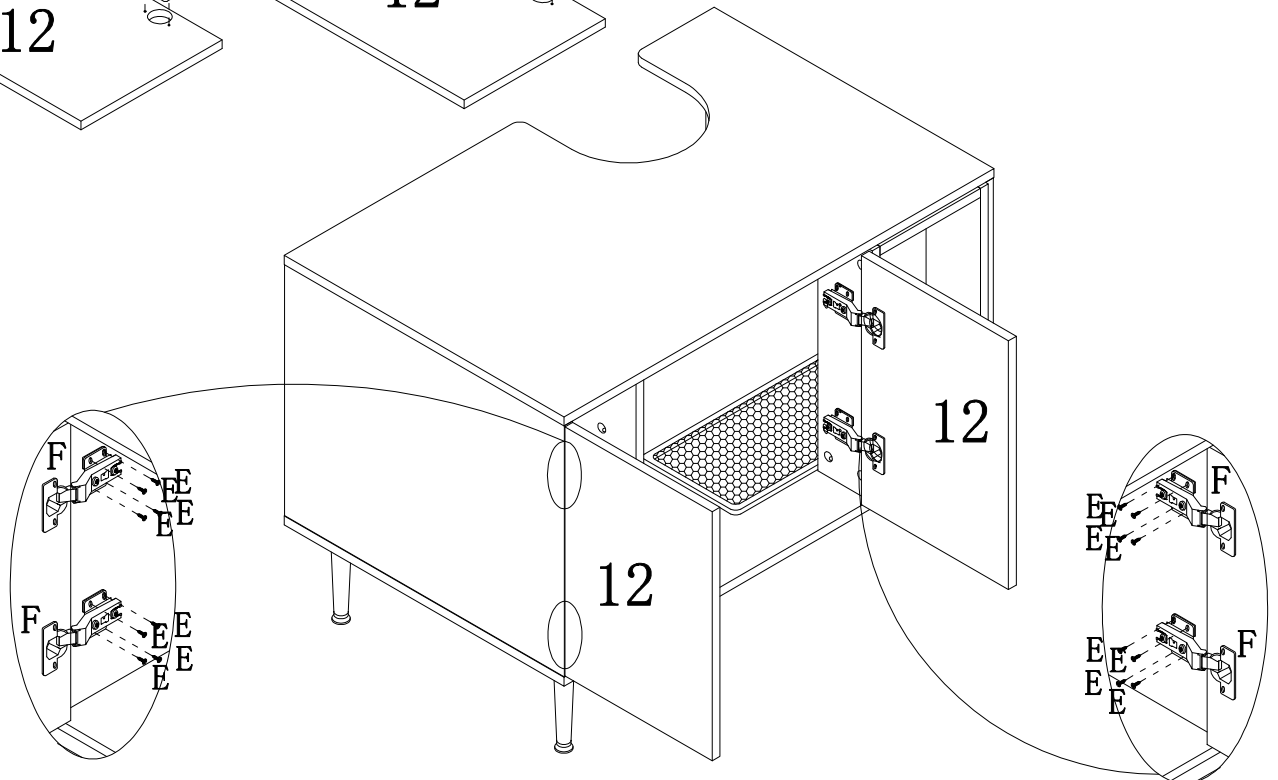
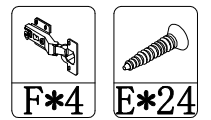
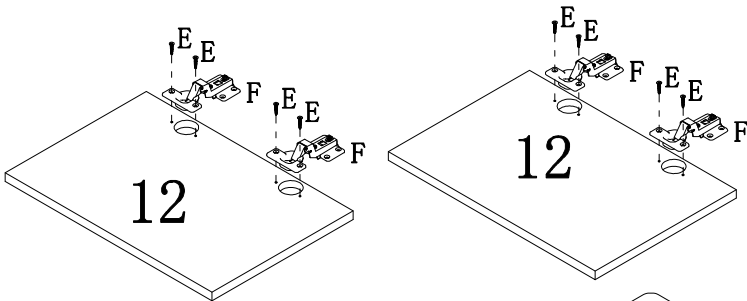
step 7



step 8



step 9



step 10

