


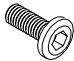
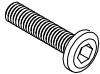


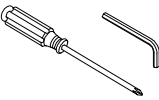
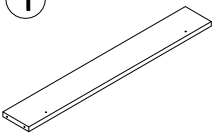
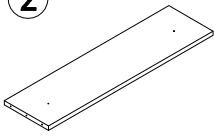
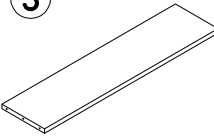
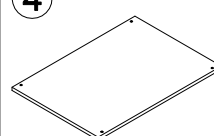
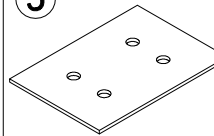
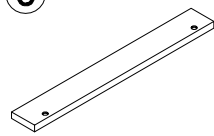
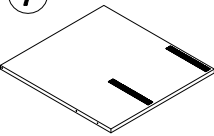
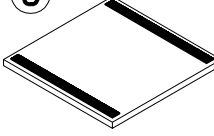
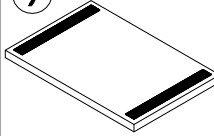
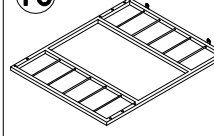
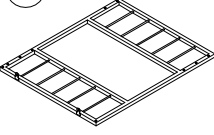
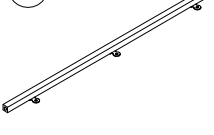
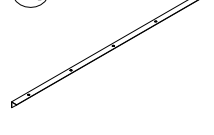
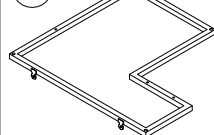
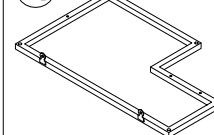
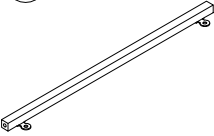
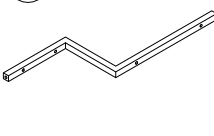
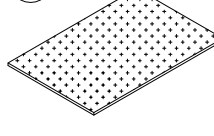
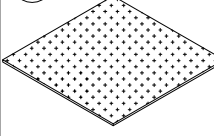
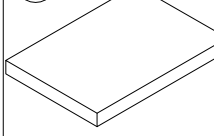
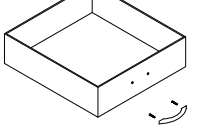


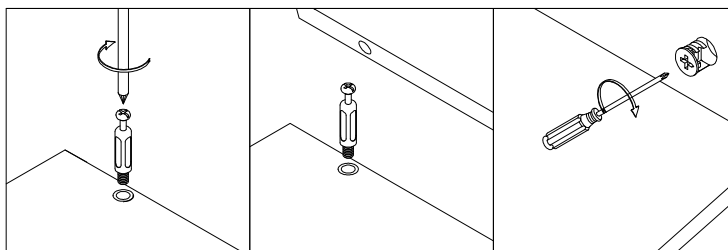
Hardware List

A  38PCS (M4*12)	B  8PCS (M4*25)	C  22PCS (M5*50)	D  8PCS (M6*16)	E  12PCS (M6*30)
F  8PCS	G  1PC	 1PC		

Panel List

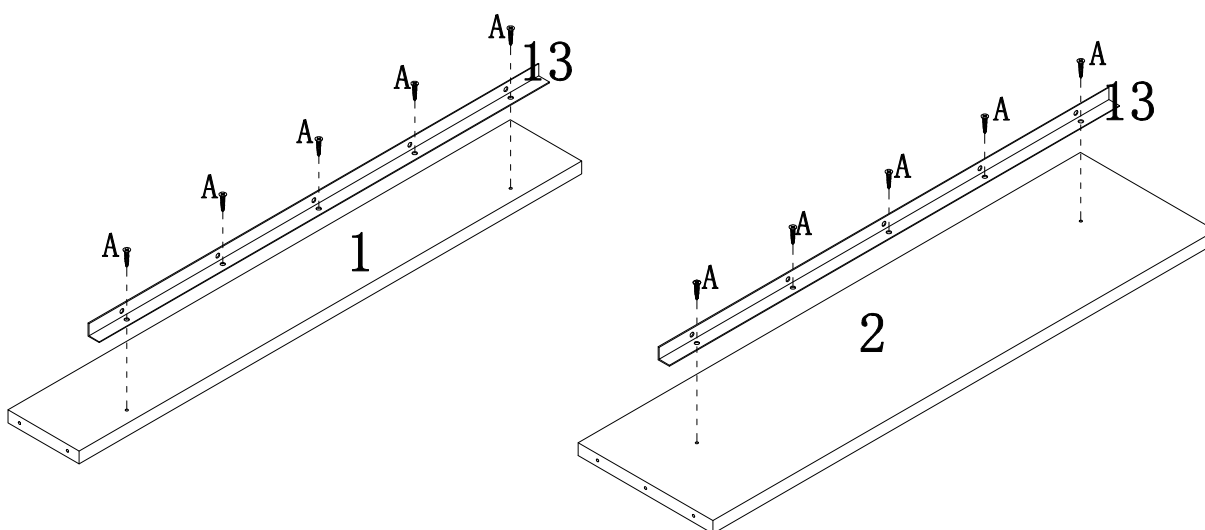
1  1PC	2  1PC	3  1PC	4  1PC	5  1PC
6  2PCS	7  1PC	8  1PC	9  1PC	10  1PC
11  1PC	12  2PCS	13  2PCS	14  1PC	15  1PC
16  2PCS	17  2PCS	18  2PCS	19  1PC	20  1PC
21  1PC				

Assembling the unit with camlocks and wood dowels

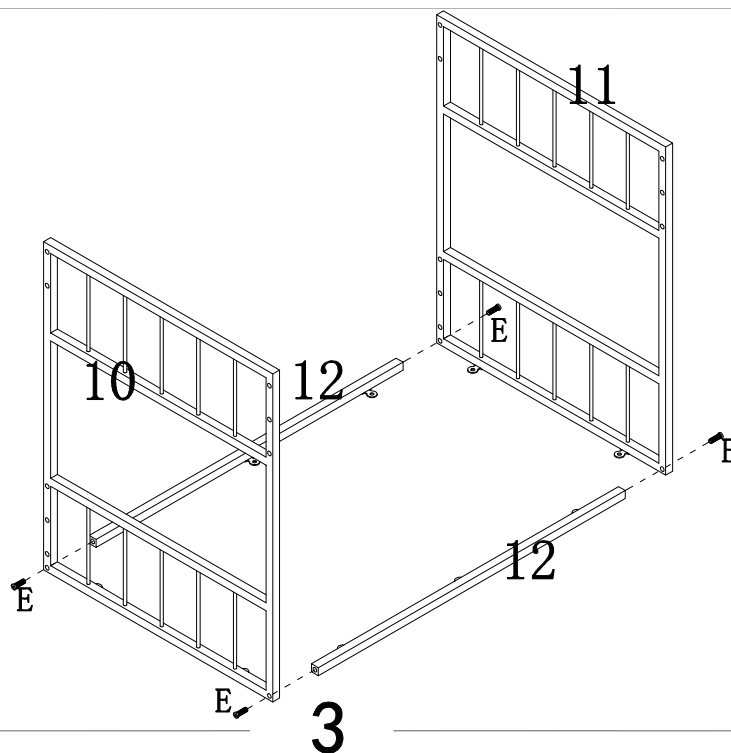


Assembly instructions

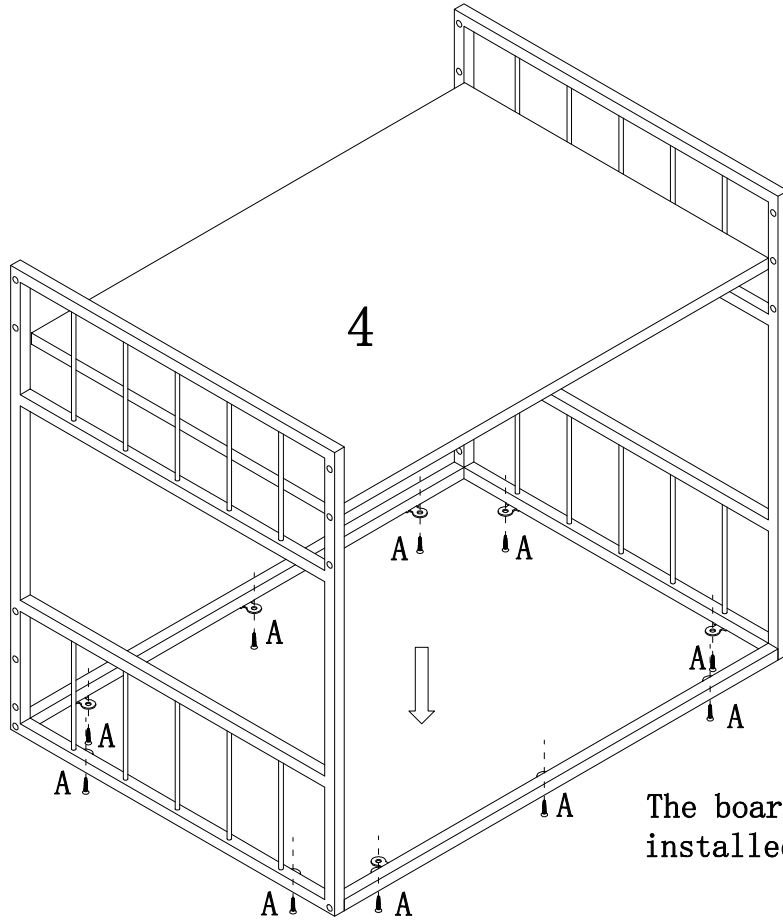
step 1



step 2

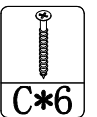
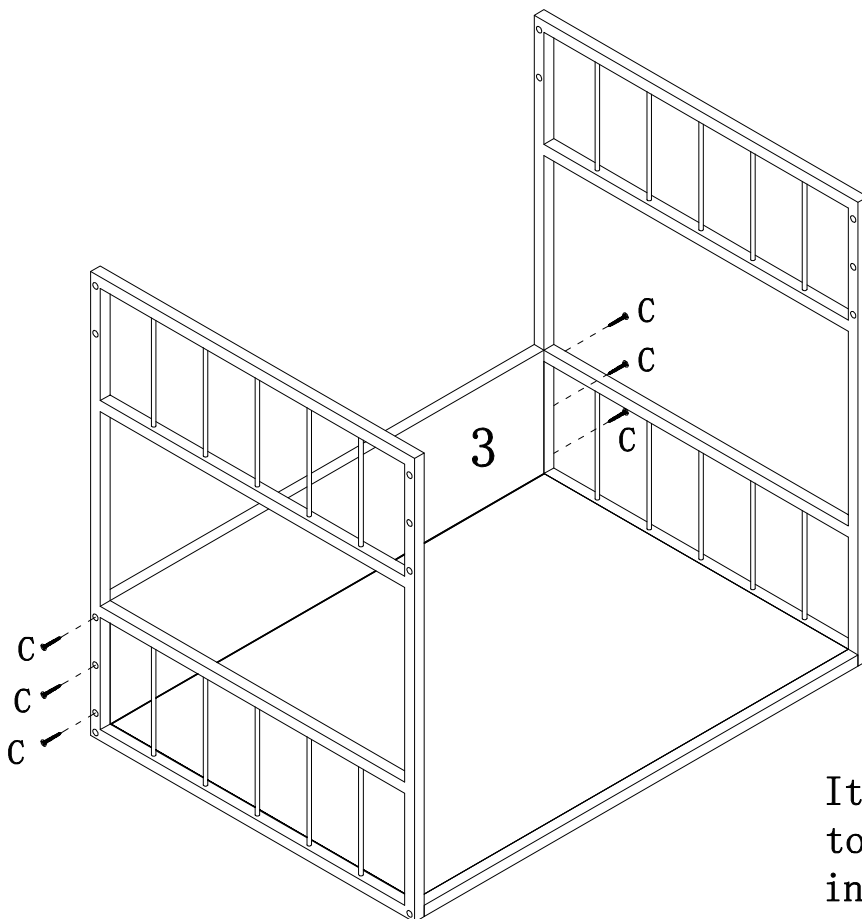


step 3



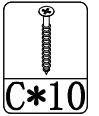
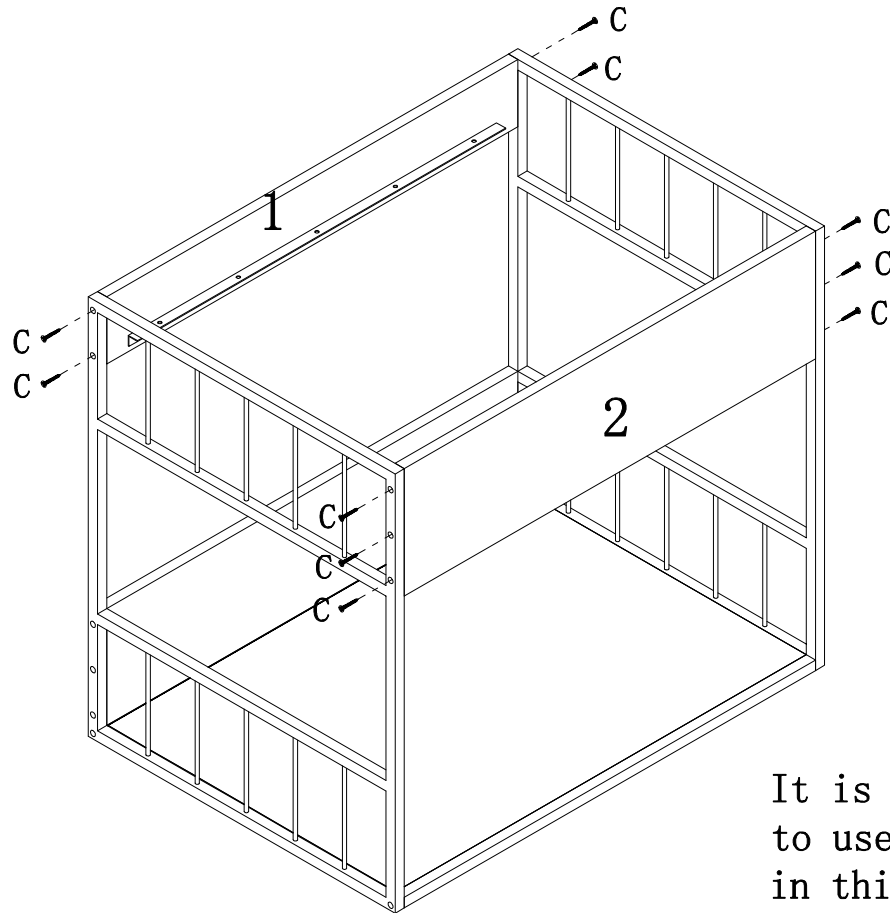
The board number 4 is installed at the bottom

step 4



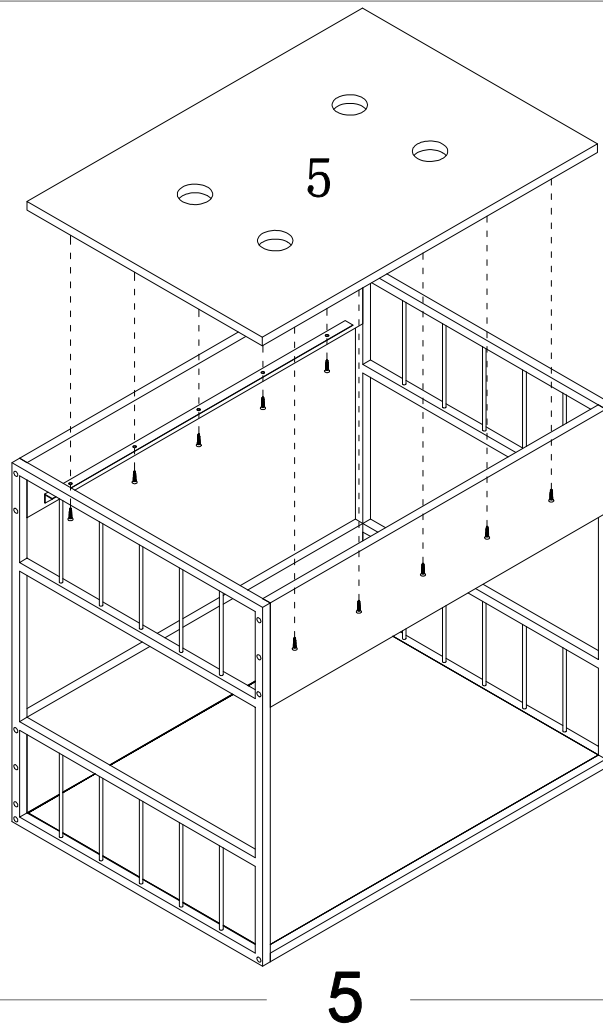
It is recommended to use a power tool in this step

step 5



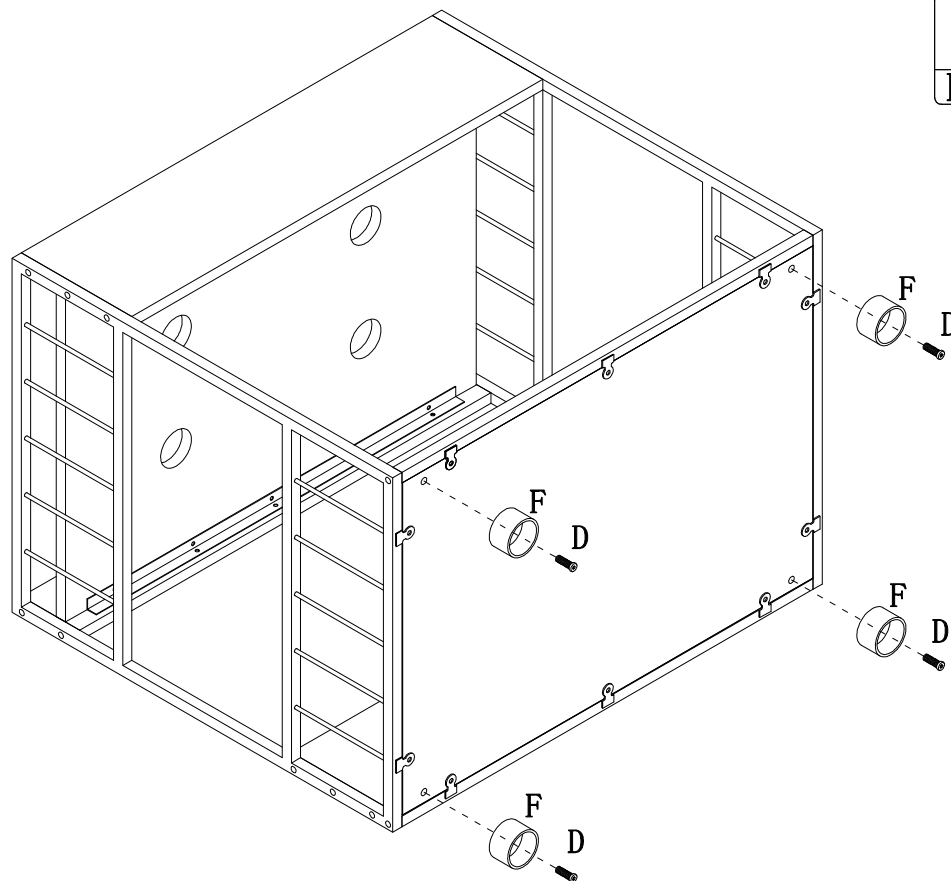
It is recommended to use a power tool in this step

step 6

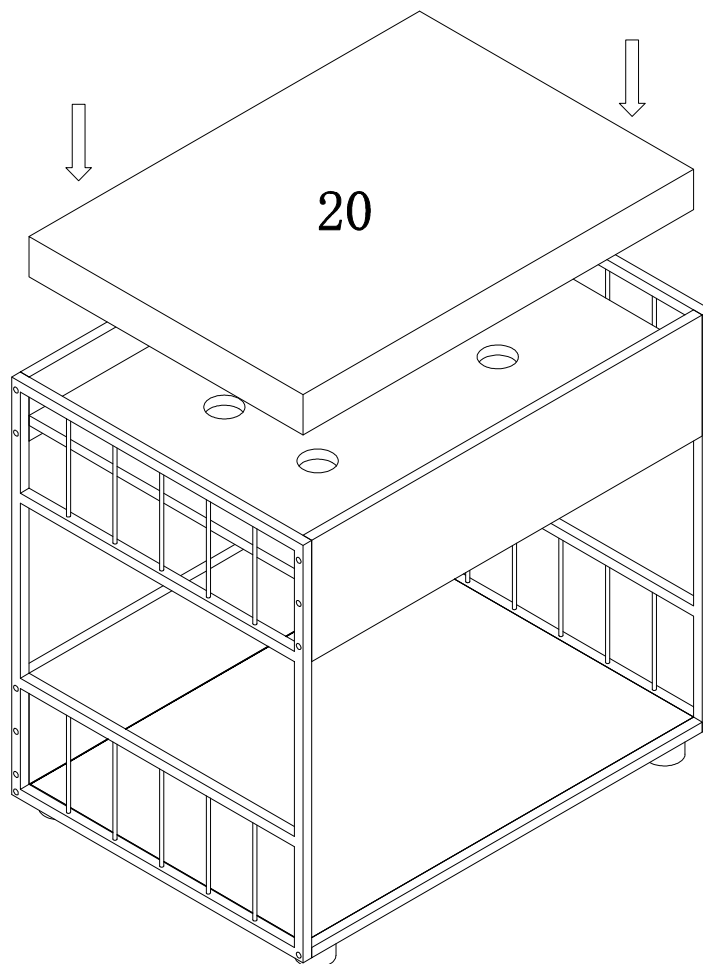


5

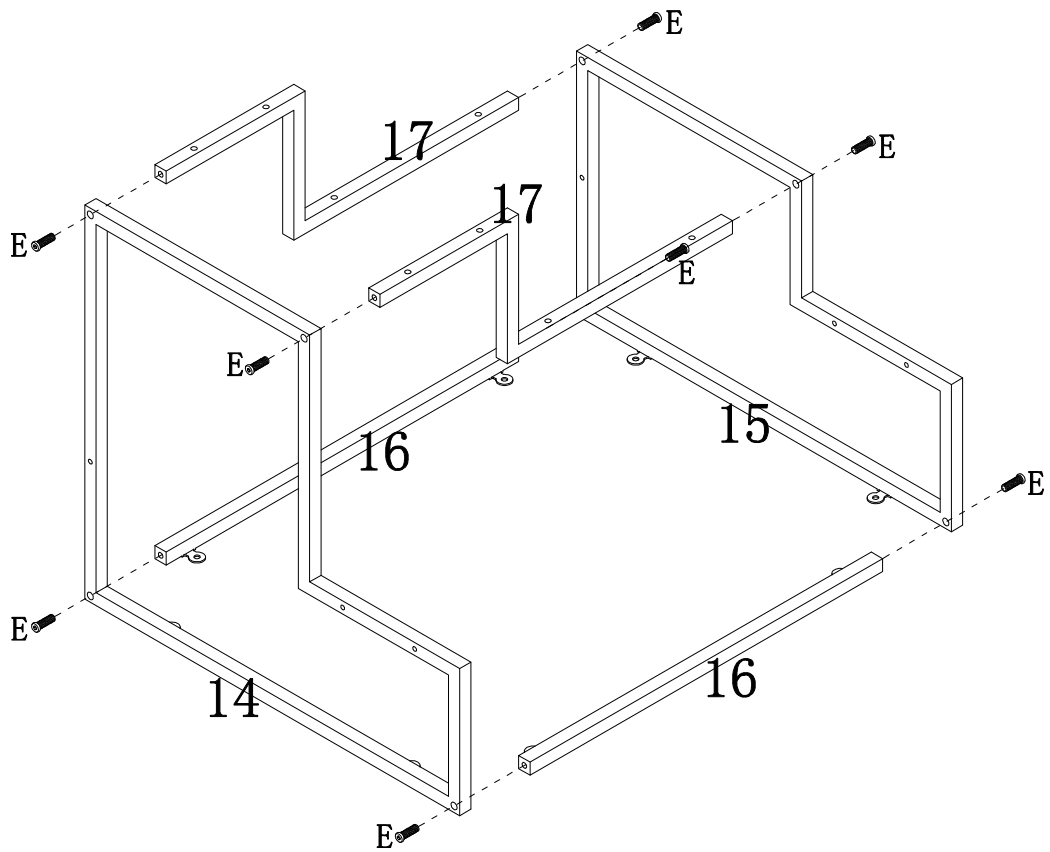
step 7



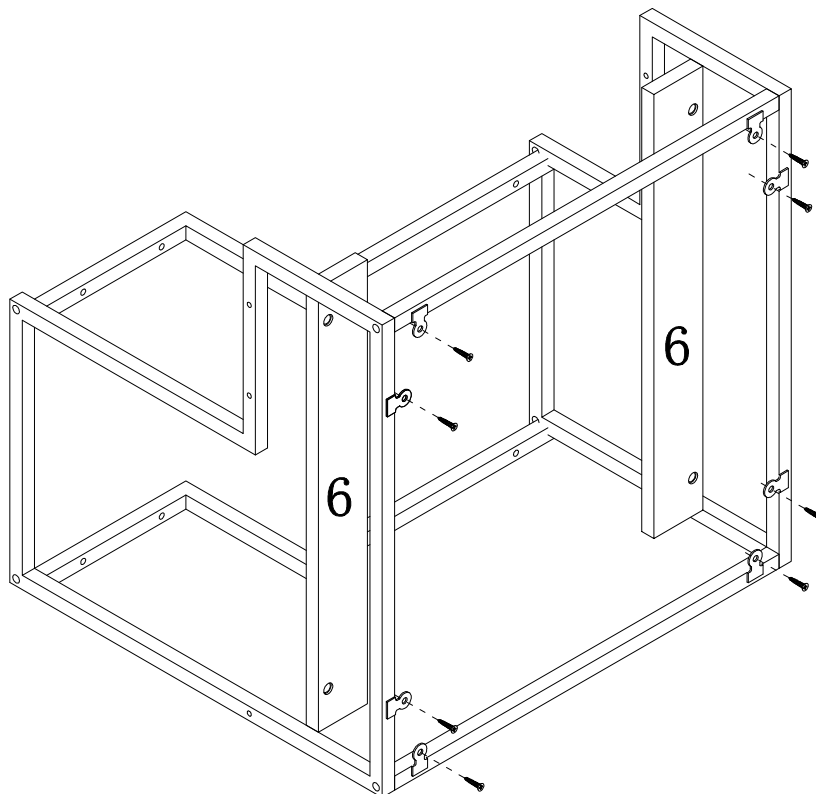
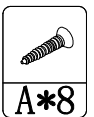
step 8



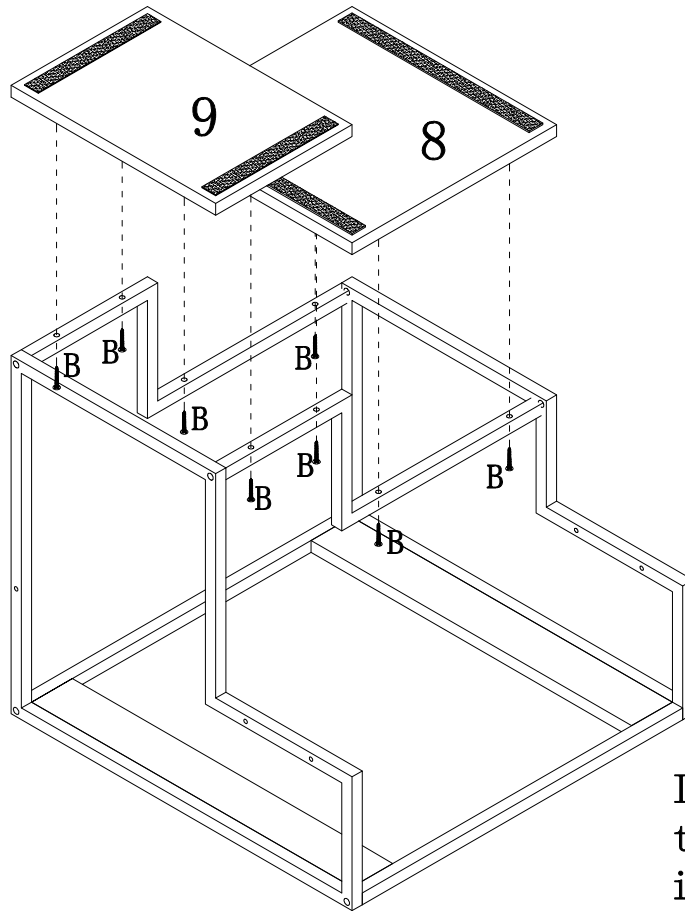
step 9



step 10

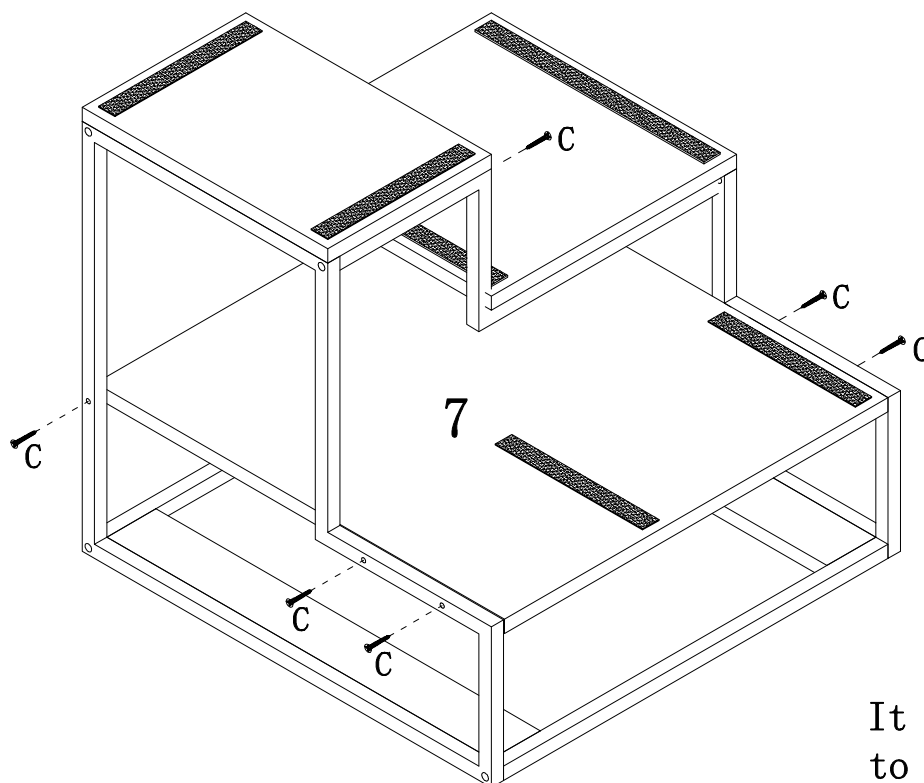


step 11



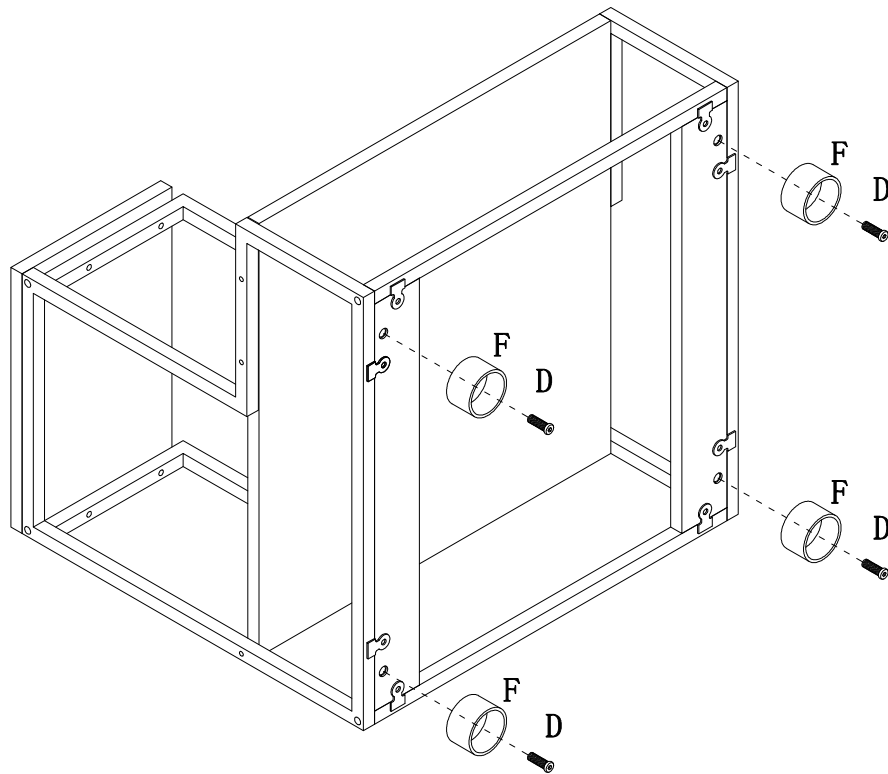
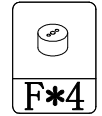
It is recommended to use a power tool in this step

step 12

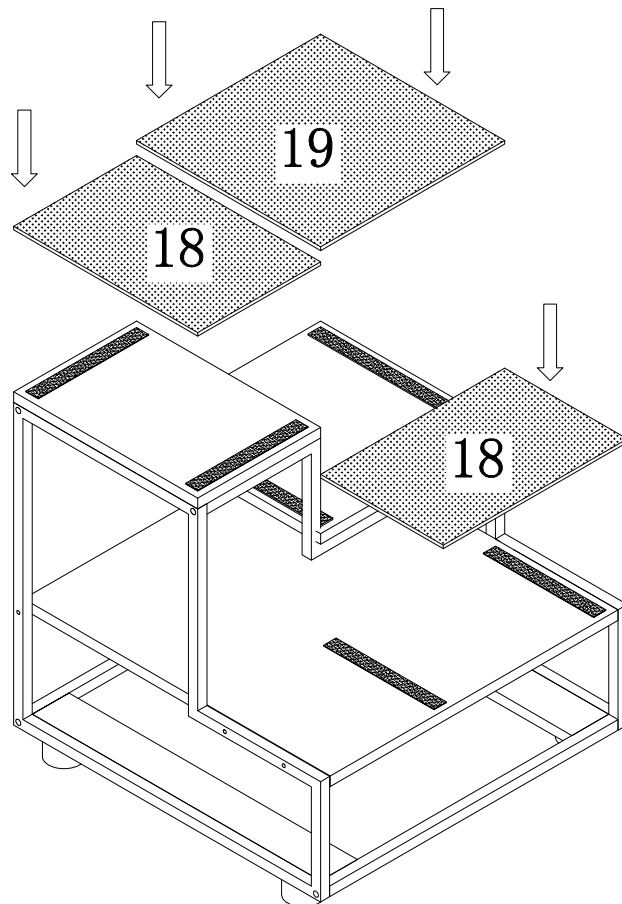


It is recommended to use a power tool in this step

step 13



step 14



step 15

