

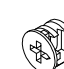

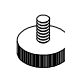
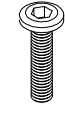



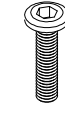




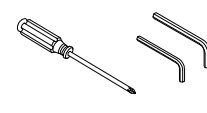
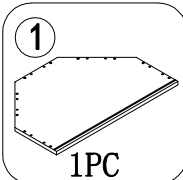
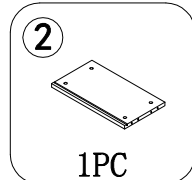
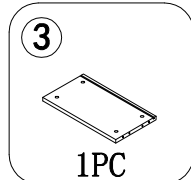
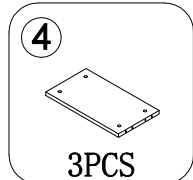
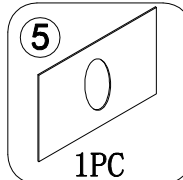
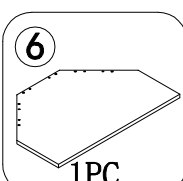
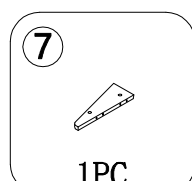
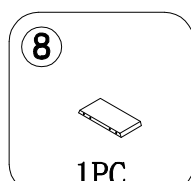
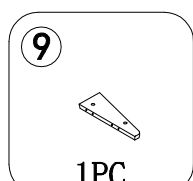
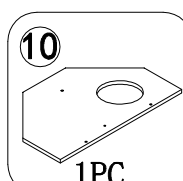
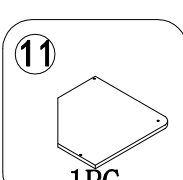
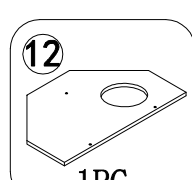
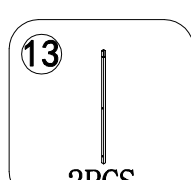
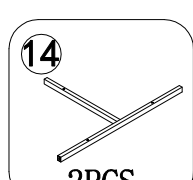
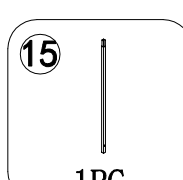
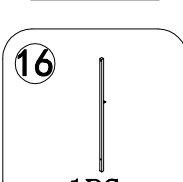
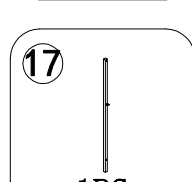
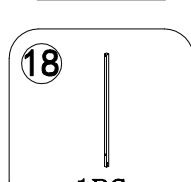
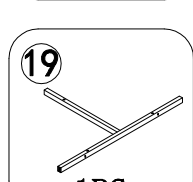
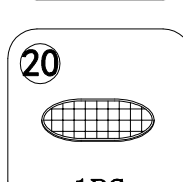
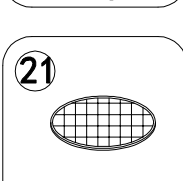


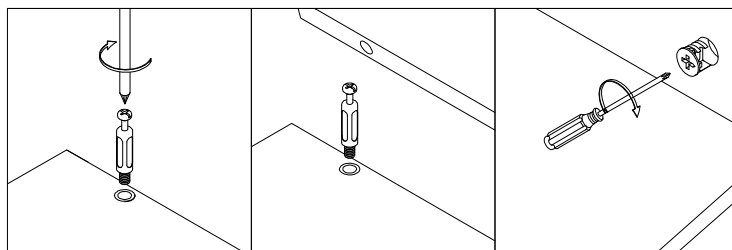
Hardware List

(A)  26PCS (M6*40)	(B)  26PCS (M8*40)	(C)  26PCS (ϕ 12*15)	(D)  26PCS	(E)  3PCS
(F)  9PCS (M6*35)	(G)  9PCS (M6*28)	(H)  2PCS (M6*25)	(I)  8PCS (M6*10)	(J)  1PC (M8*55)
(K)  1PC (M8*50)	(L)  1PC	(M)  1PC	(N)  2PCS	 1PC

Panel List

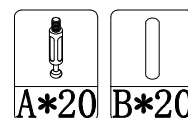
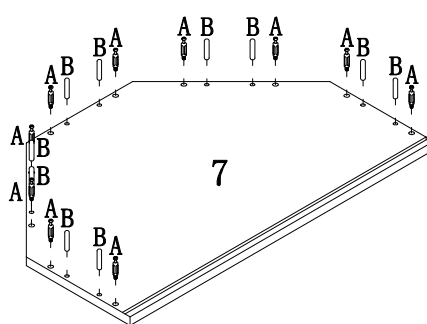
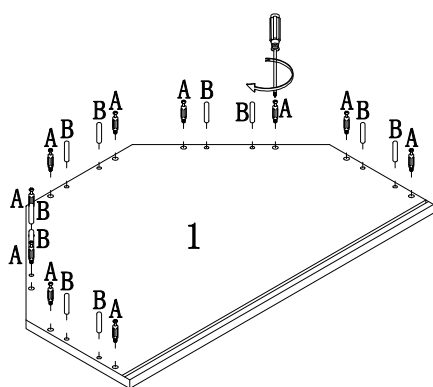
1  1PC	2  1PC	3  1PC	4  3PCS	5  1PC
6  1PC	7  1PC	8  1PC	9  1PC	10  1PC
11  1PC	12  1PC	13  2PCS	14  2PCS	15  1PC
16  1PC	17  1PC	18  1PC	19  1PC	20  1PC
21  2PCS				

Assembling the unit with camlocks and wood dowels

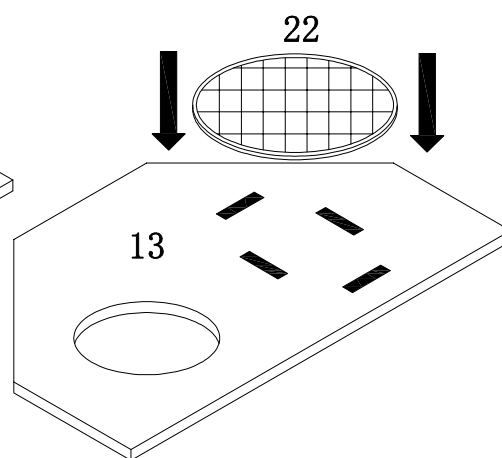
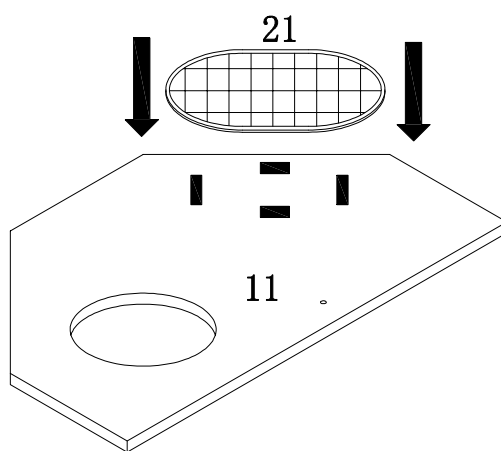
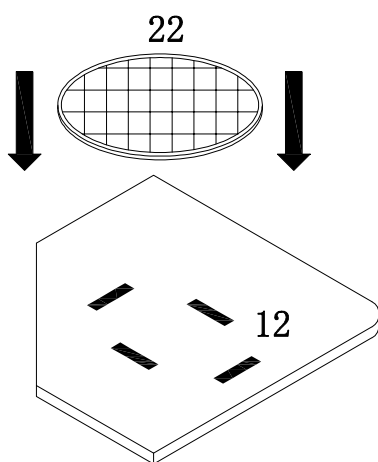


Assembly instructions

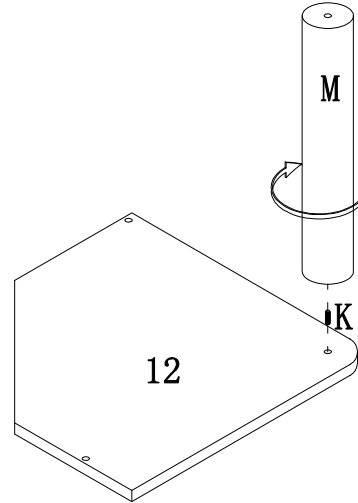
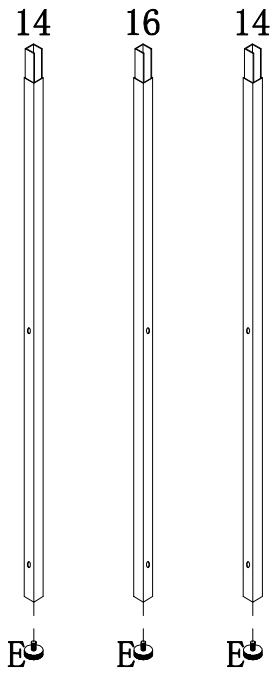
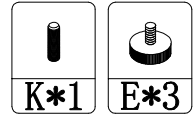
step 1



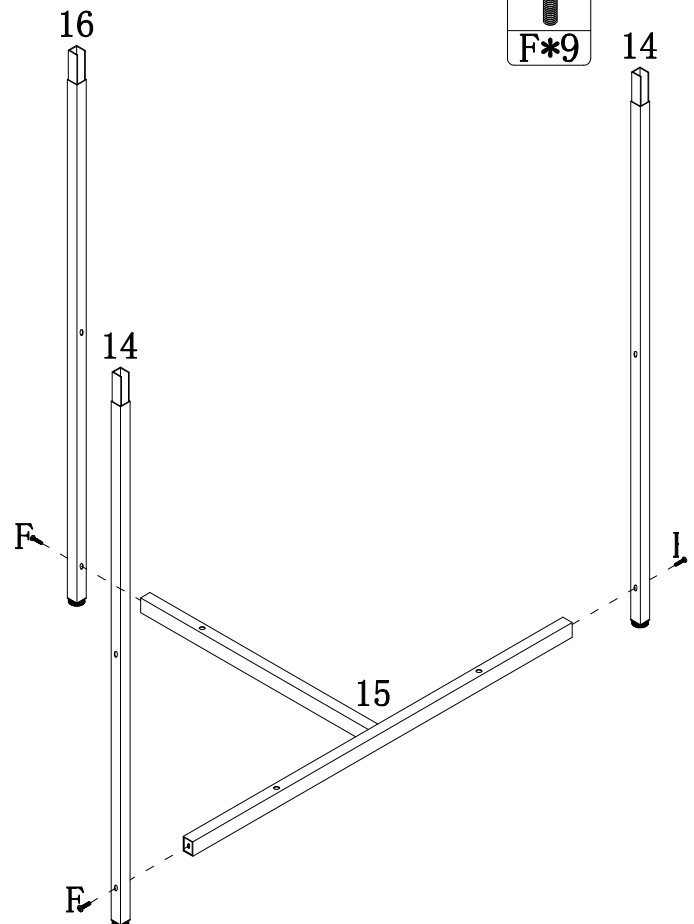
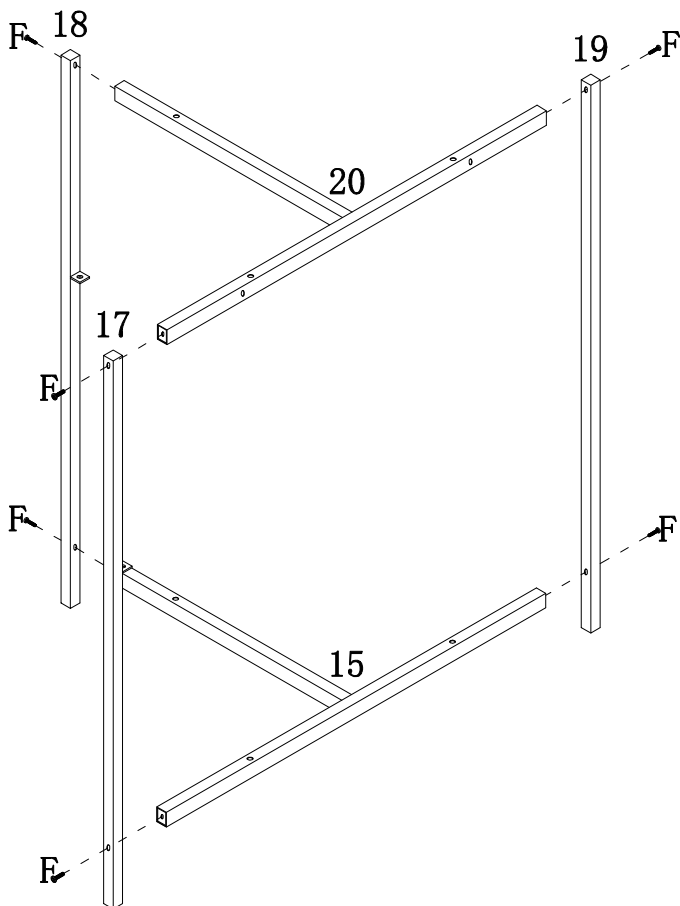
step 2



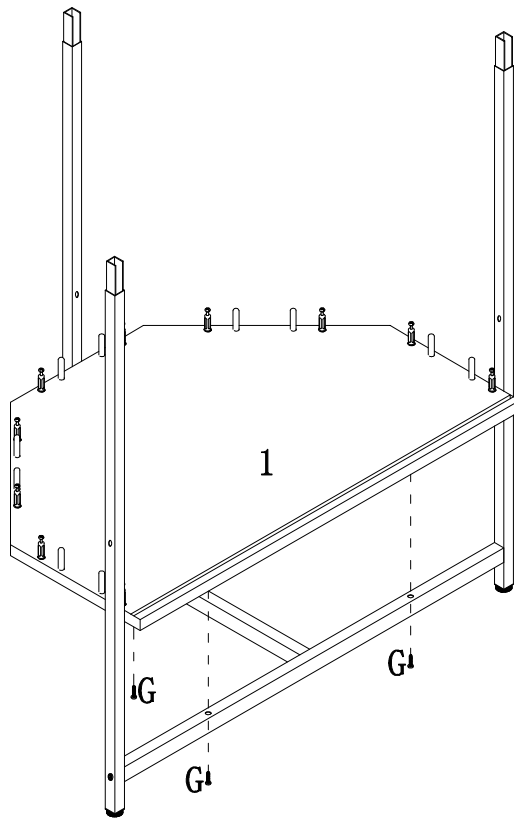
step 3



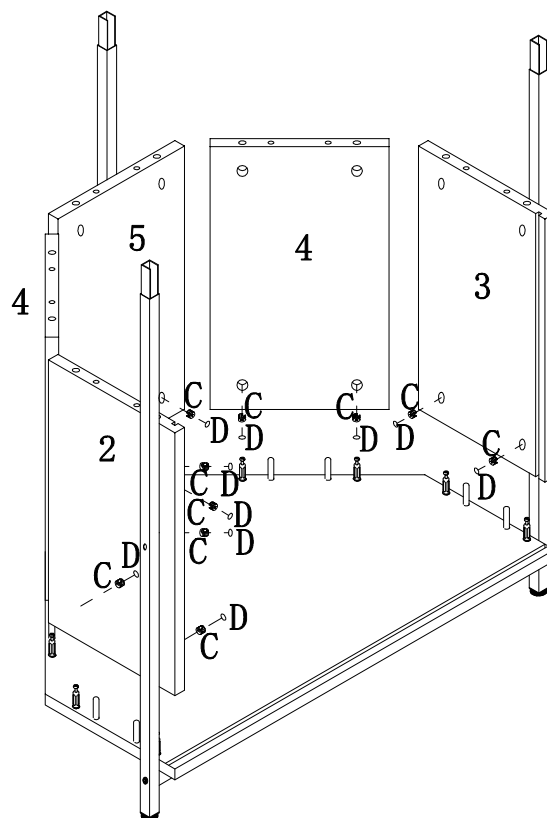
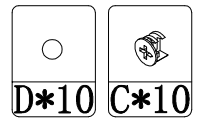
step 4



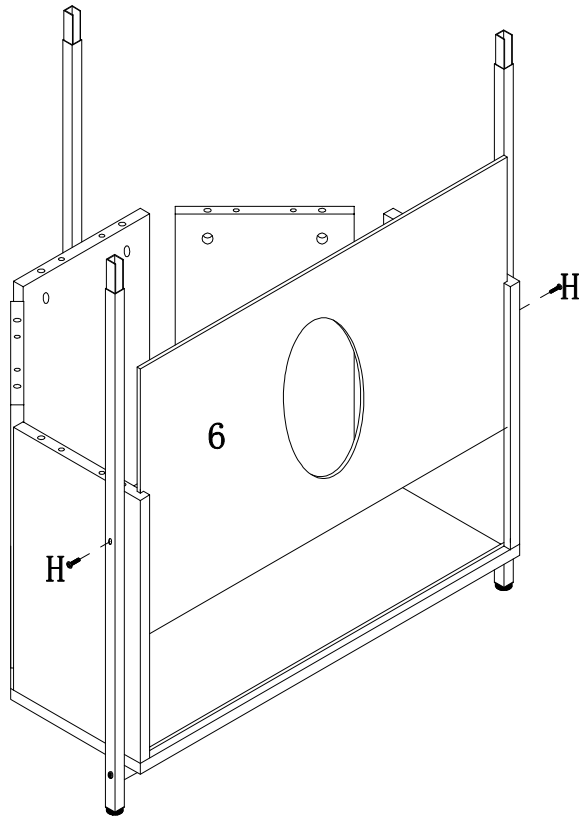
step 5



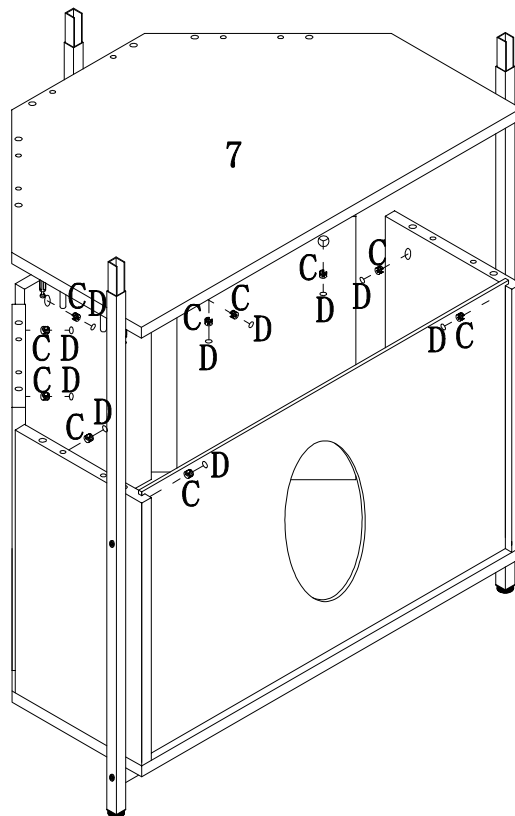
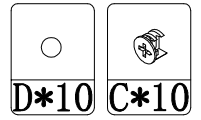
step 6



step 7

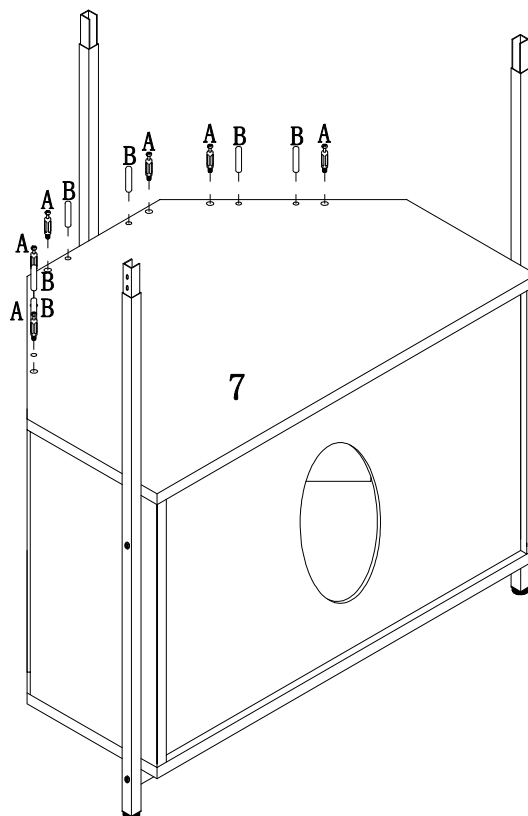
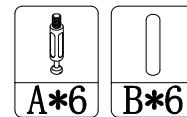


step 8

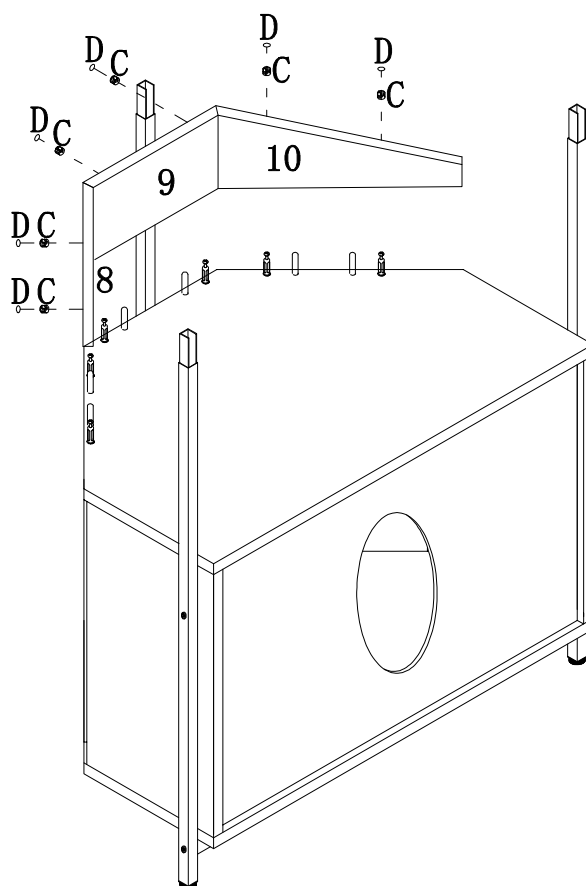
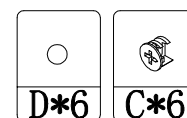


6

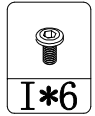
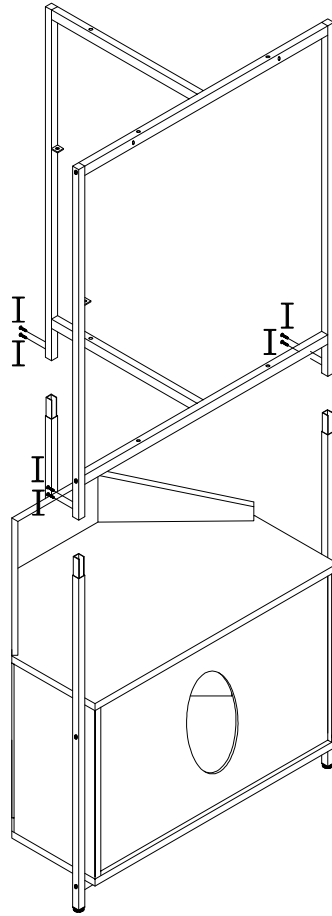
step 9



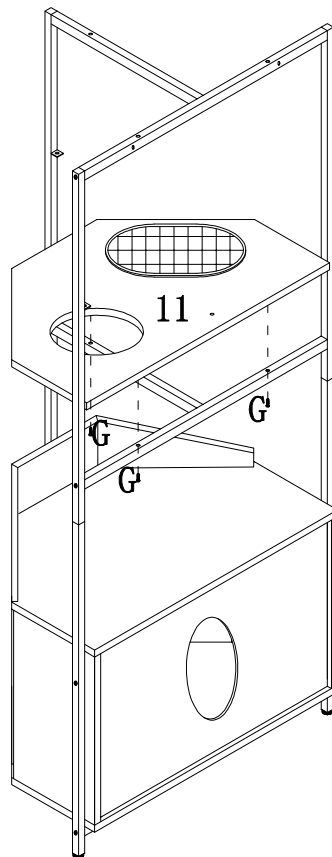
step 10



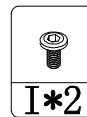
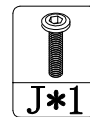
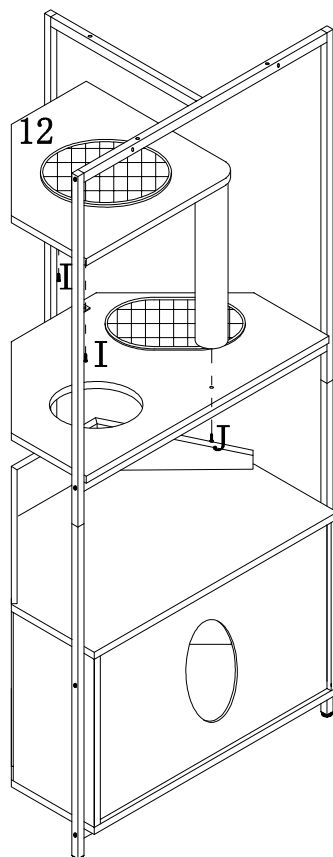
step 11



step 12



step 13



step 14

