


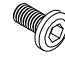
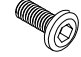
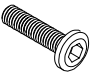
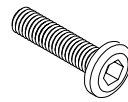

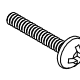

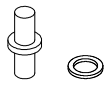
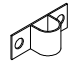
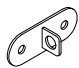
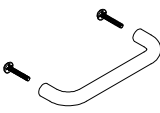
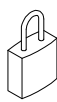
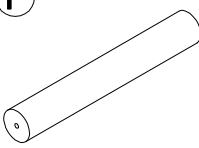
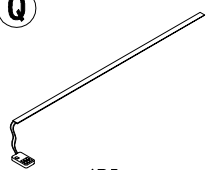

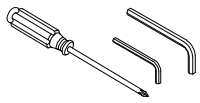
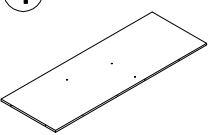
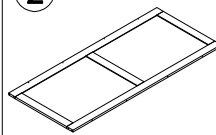
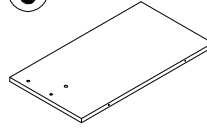
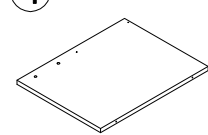
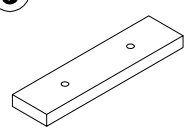
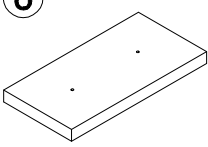
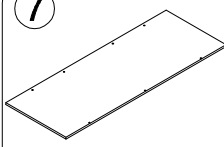
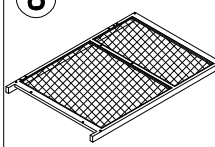
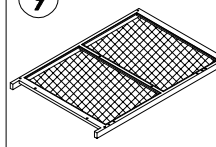
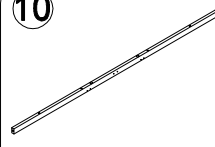
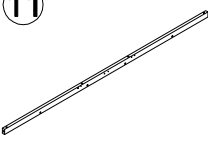
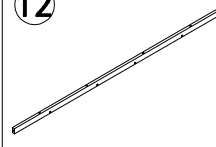
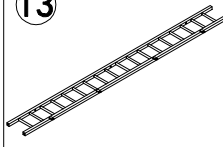
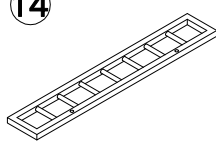
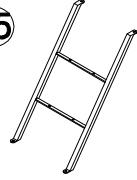
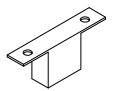
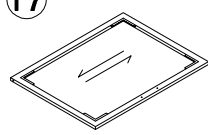
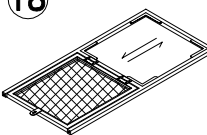
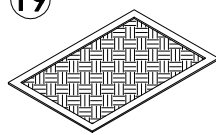
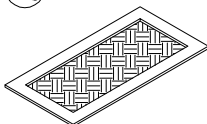
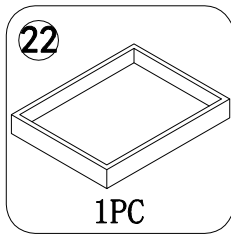
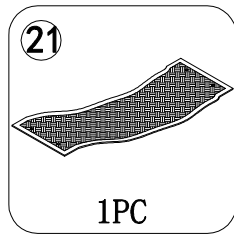


## Hardware List

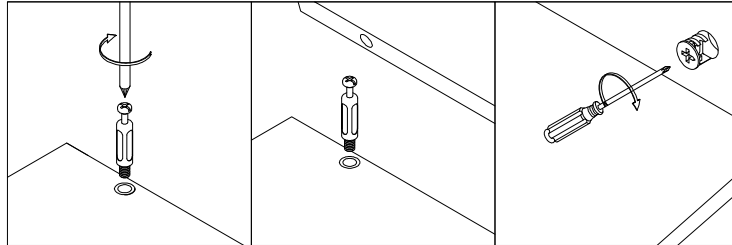
<b>A</b>  30PCS (M5*50)	<b>B</b>  12PCS (M4*12)	<b>C</b>  6PCS (M6*10)	<b>D</b>  2PCS (M6*15)	<b>E</b>  3PCS (M6*25)
<b>F</b>  12PCS (M6*45)	<b>G</b>  1PC (M8*50)	<b>H</b>  1PC (M8*45)	<b>I</b>  12PCS (M3*20)	<b>J</b>  12PCS (M3)
<b>K</b>  4PCS	<b>L</b>  4PCS	<b>M</b>  2PCS	<b>N</b>  2PCS	<b>O</b>  1PC
<b>P</b>  1PC	<b>Q</b>  1PC	<b>R</b>  4PCS (M6*30)	 1PC	

## Panel List

<b>1</b>  1PC	<b>2</b>  1PC	<b>3</b>  1PC	<b>4</b>  1PC	<b>5</b>  2PCS
<b>6</b>  2PCS	<b>7</b>  1PC	<b>8</b>  1PC	<b>9</b>  1PC	<b>10</b>  1PC
<b>11</b>  1PC	<b>12</b>  1PC	<b>13</b>  1PC	<b>14</b>  1PC	<b>15</b>  1PC
<b>16</b>  1PC	<b>17</b>  2PCS	<b>18</b>  1PC	<b>19</b>  1PC	<b>20</b>  2PCS

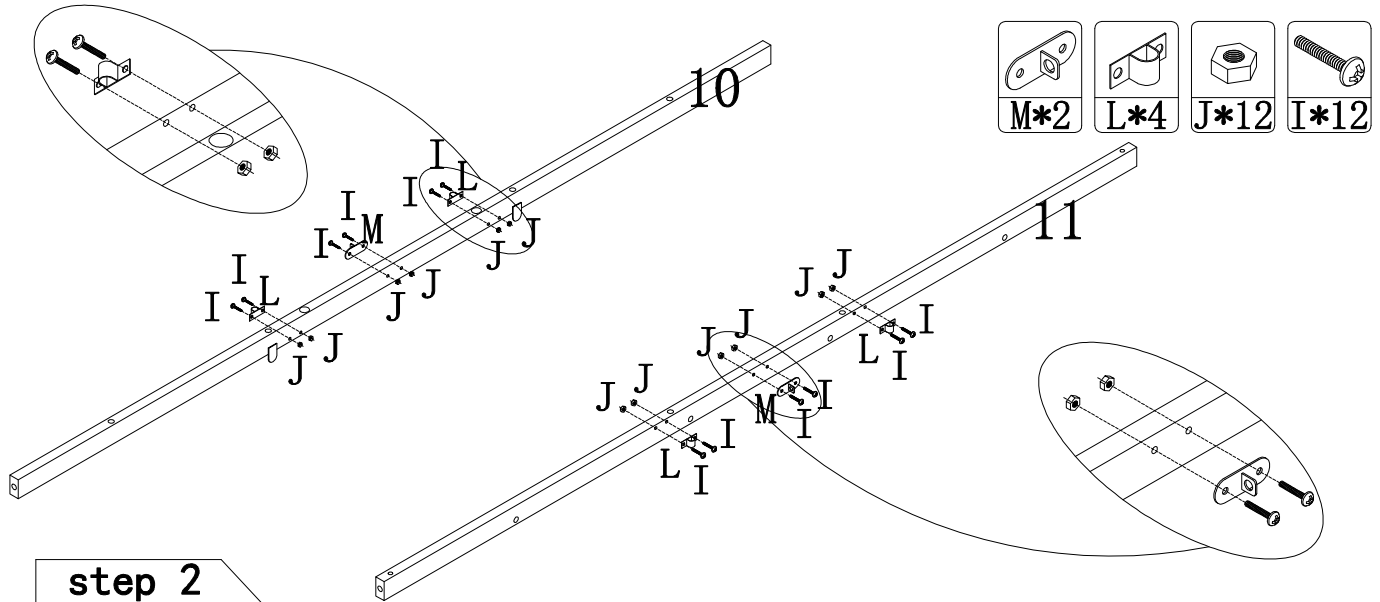


**Assembling the unit with camlocks and wood dowels**

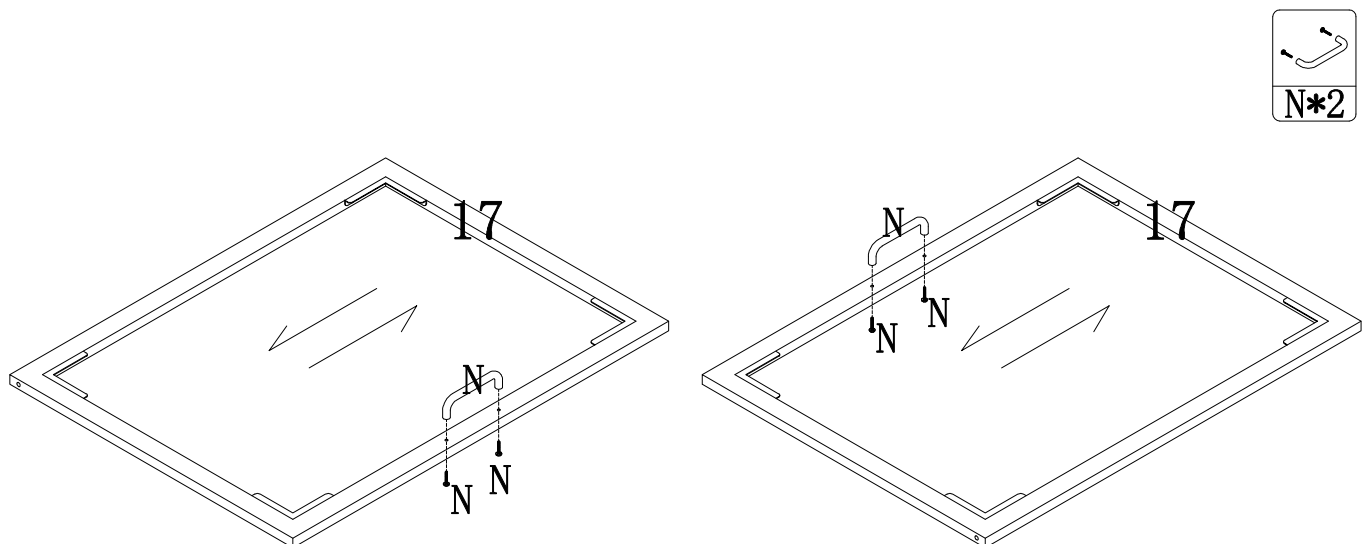


**Assembly instructions**

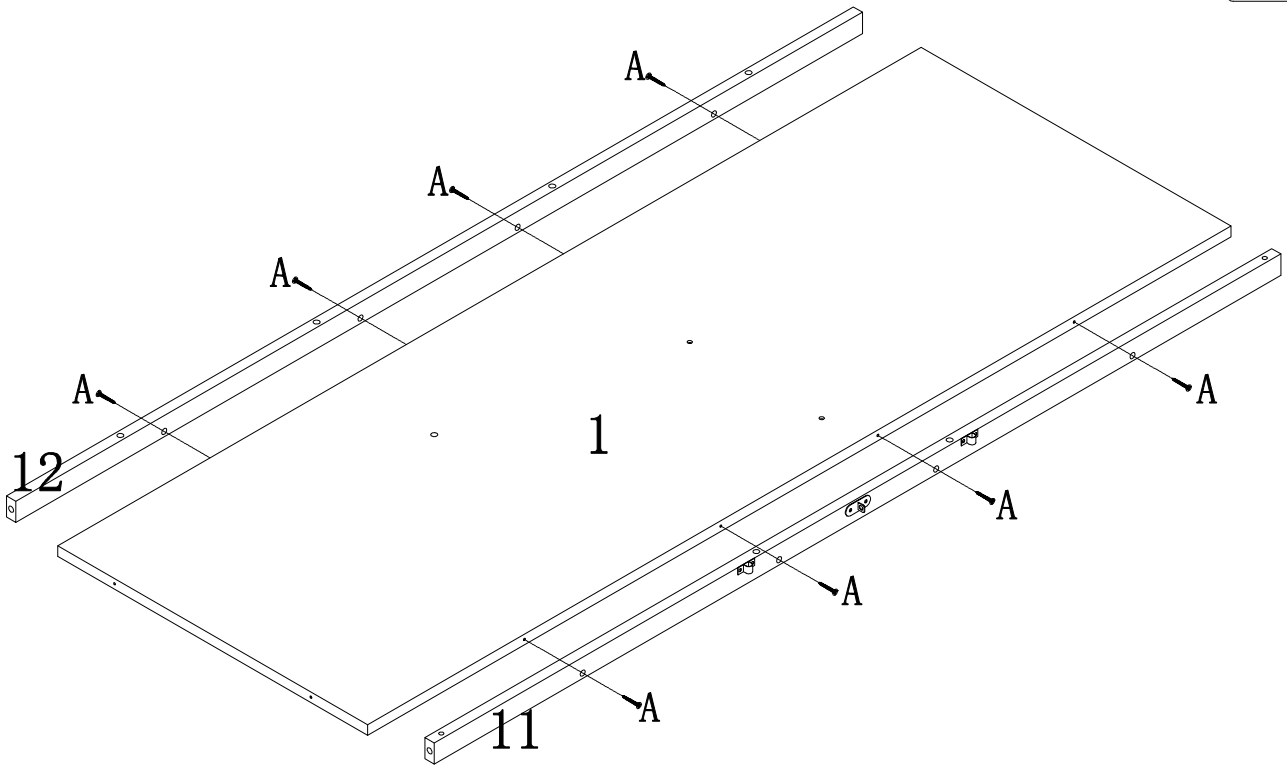
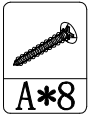
**step 1**



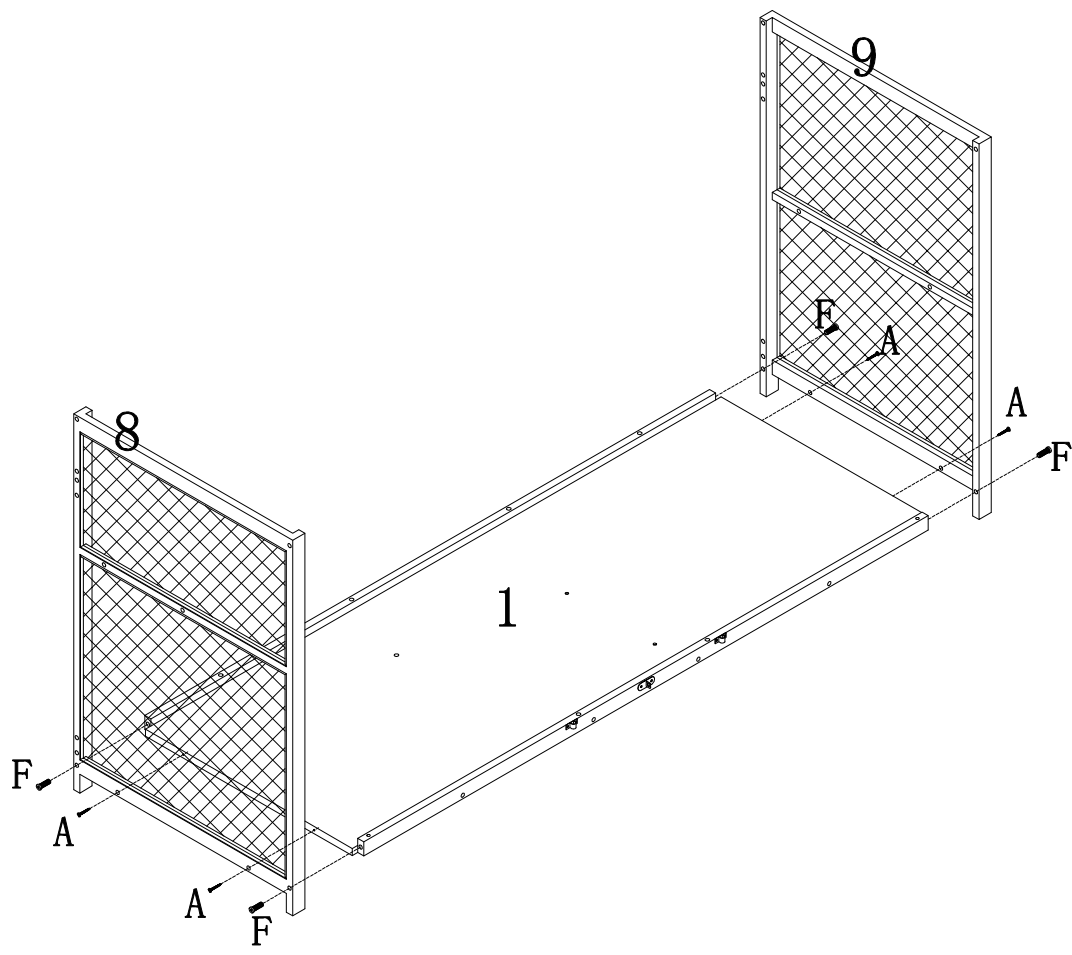
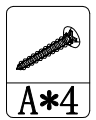
**step 2**



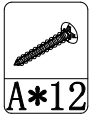
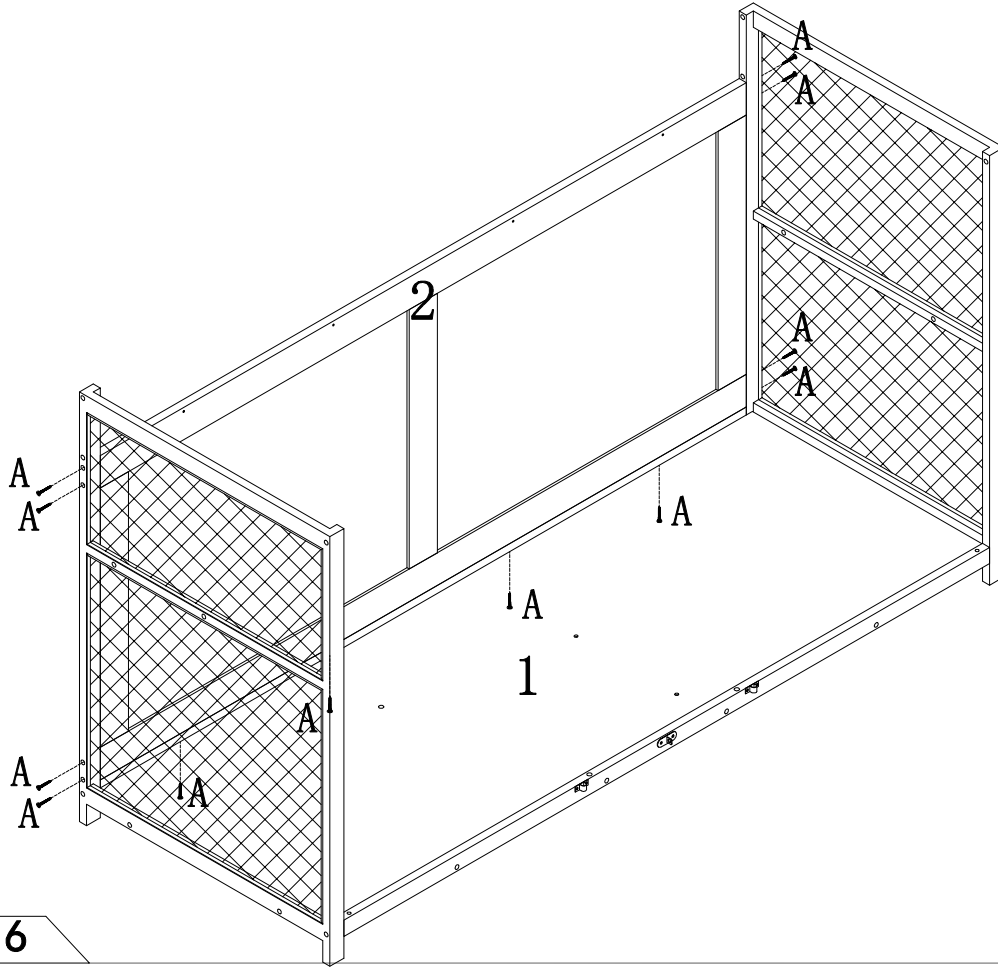
step 3



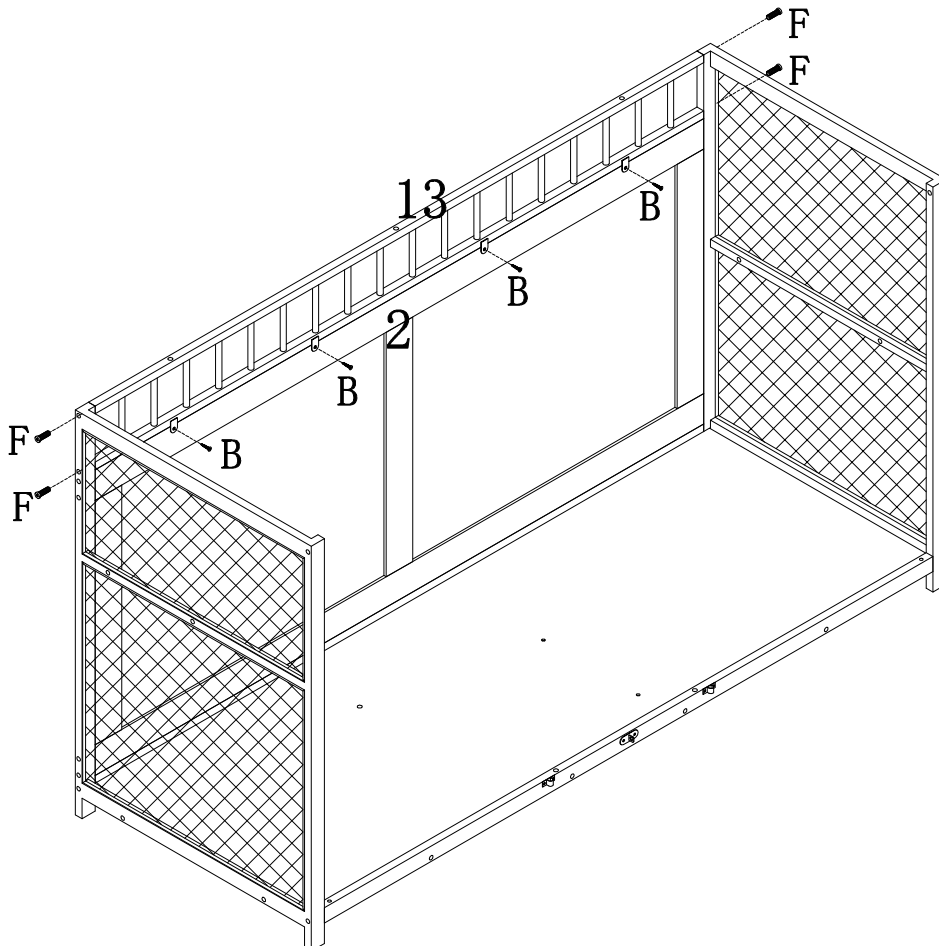
step 4



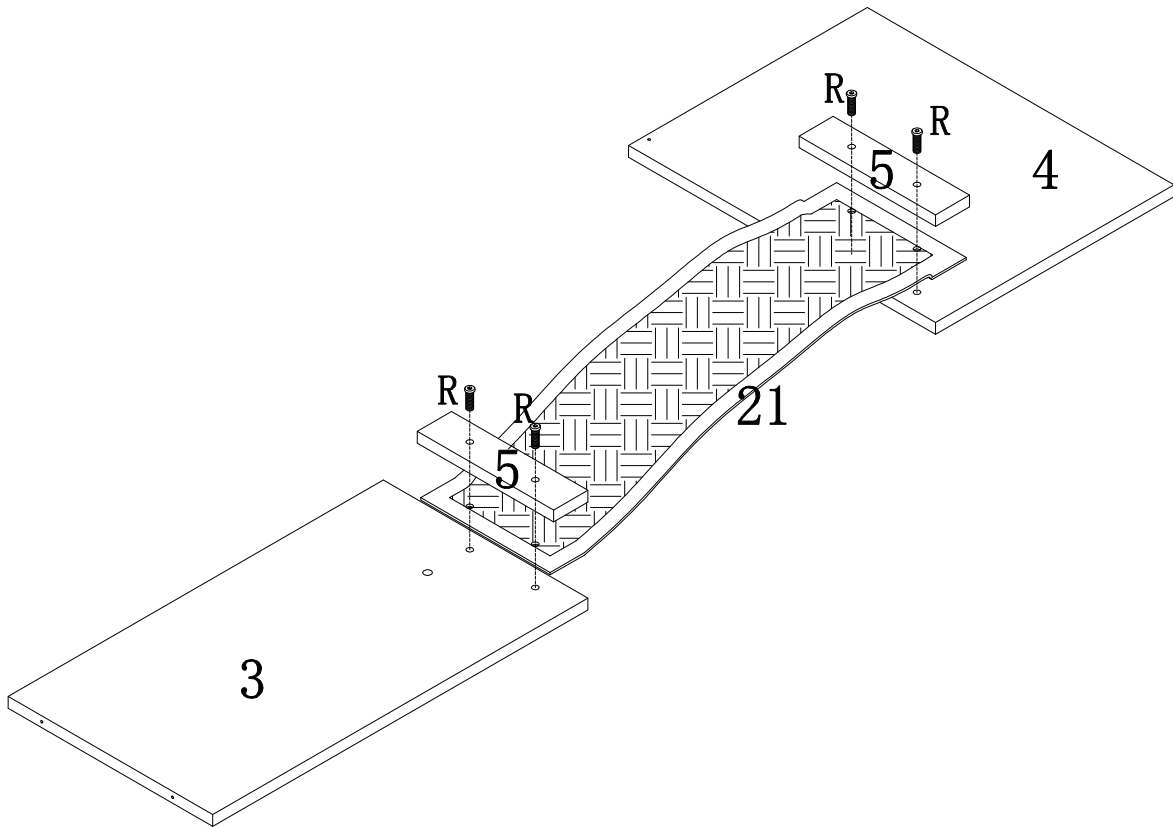
step 5



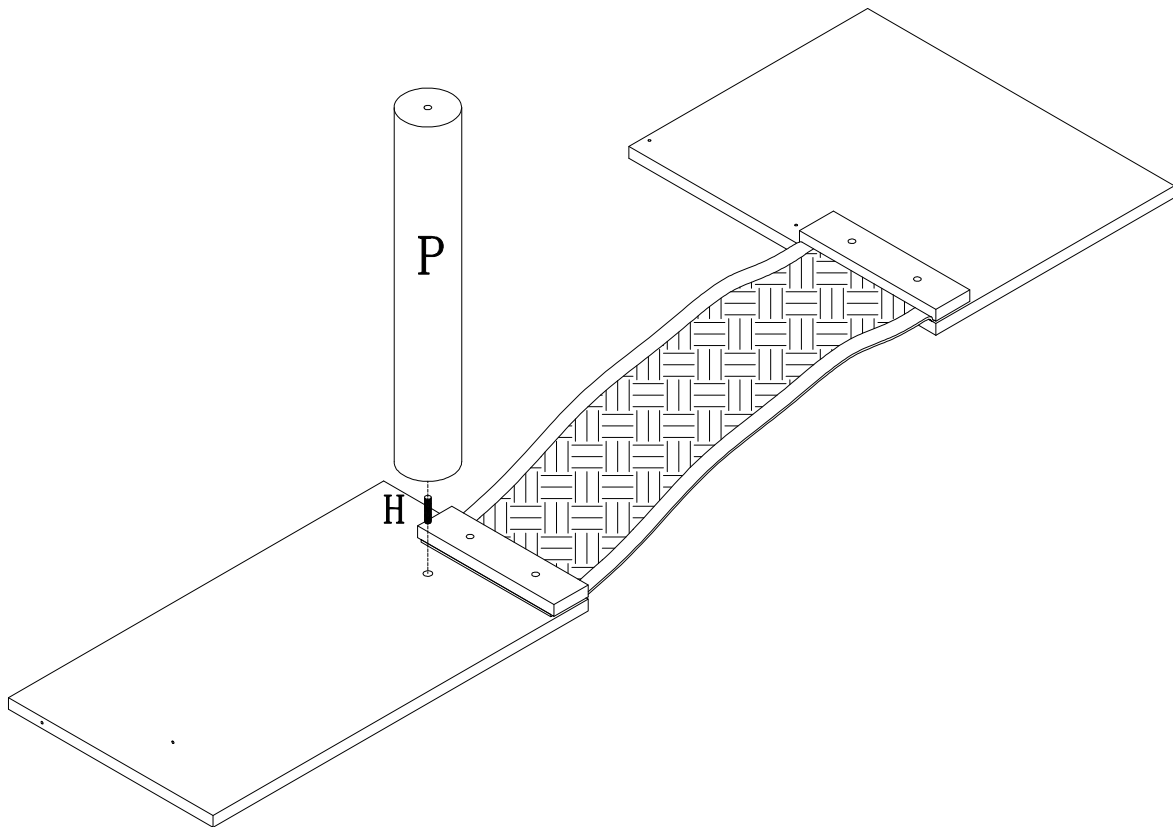
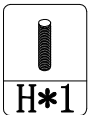
step 6



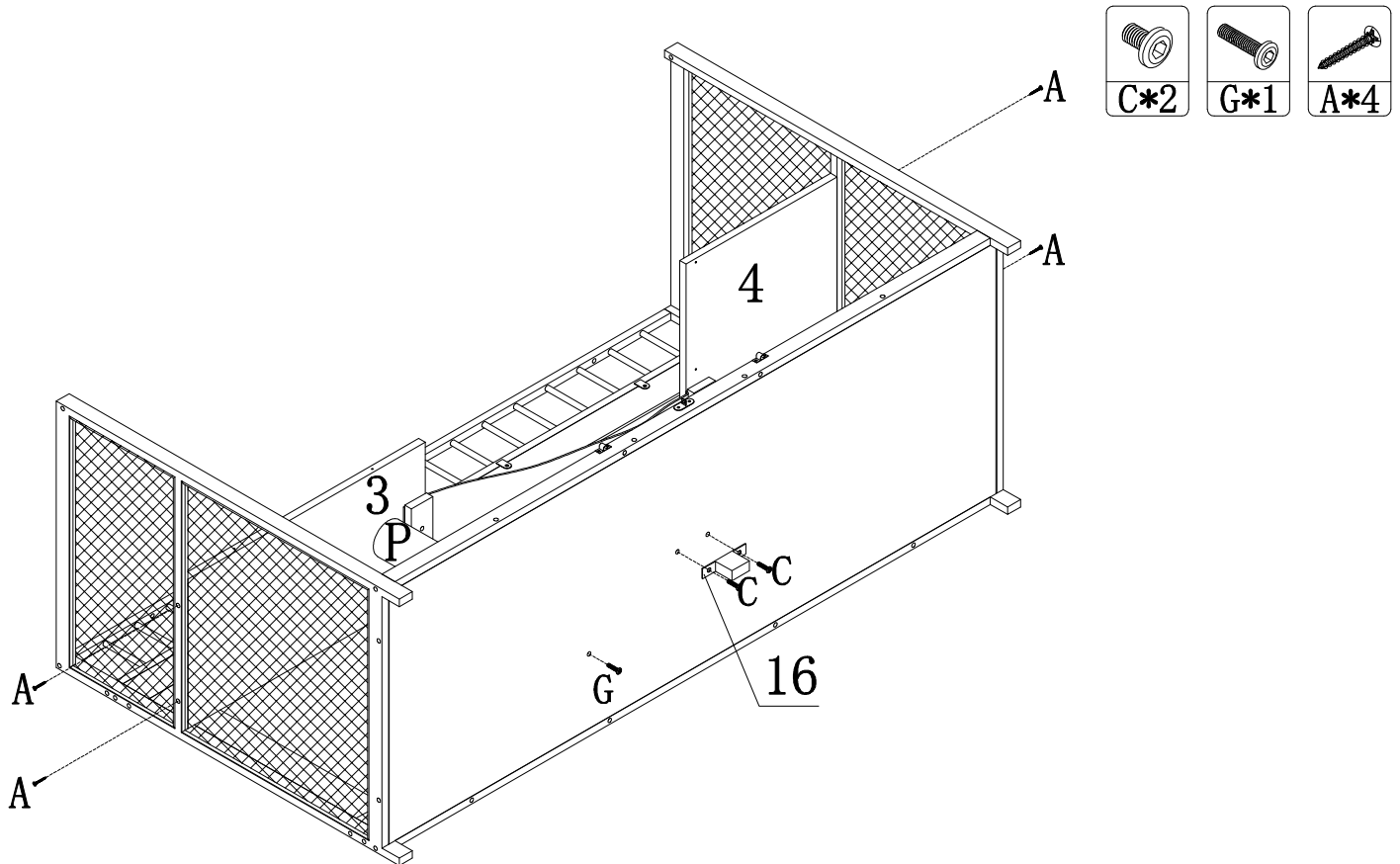
step 7



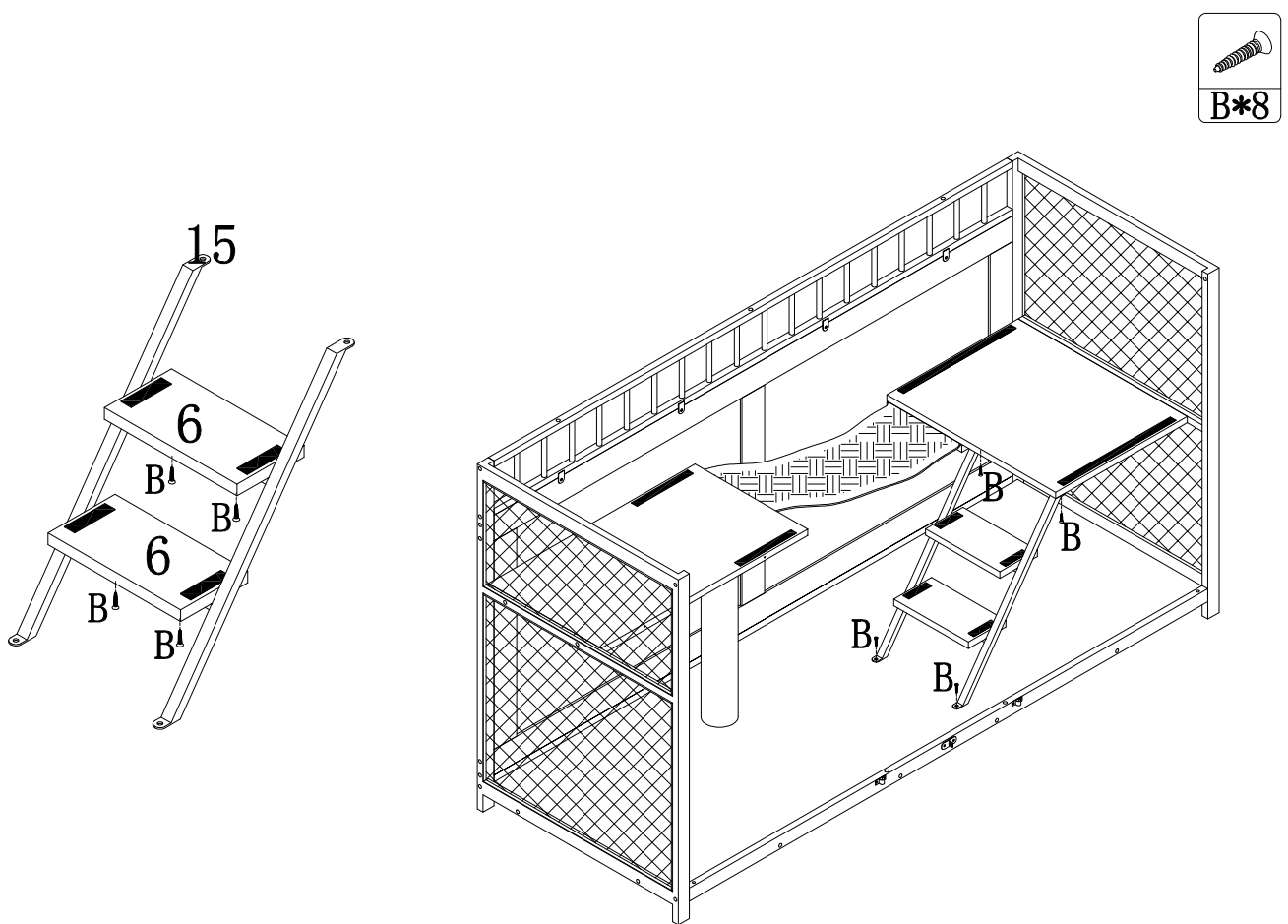
step 8



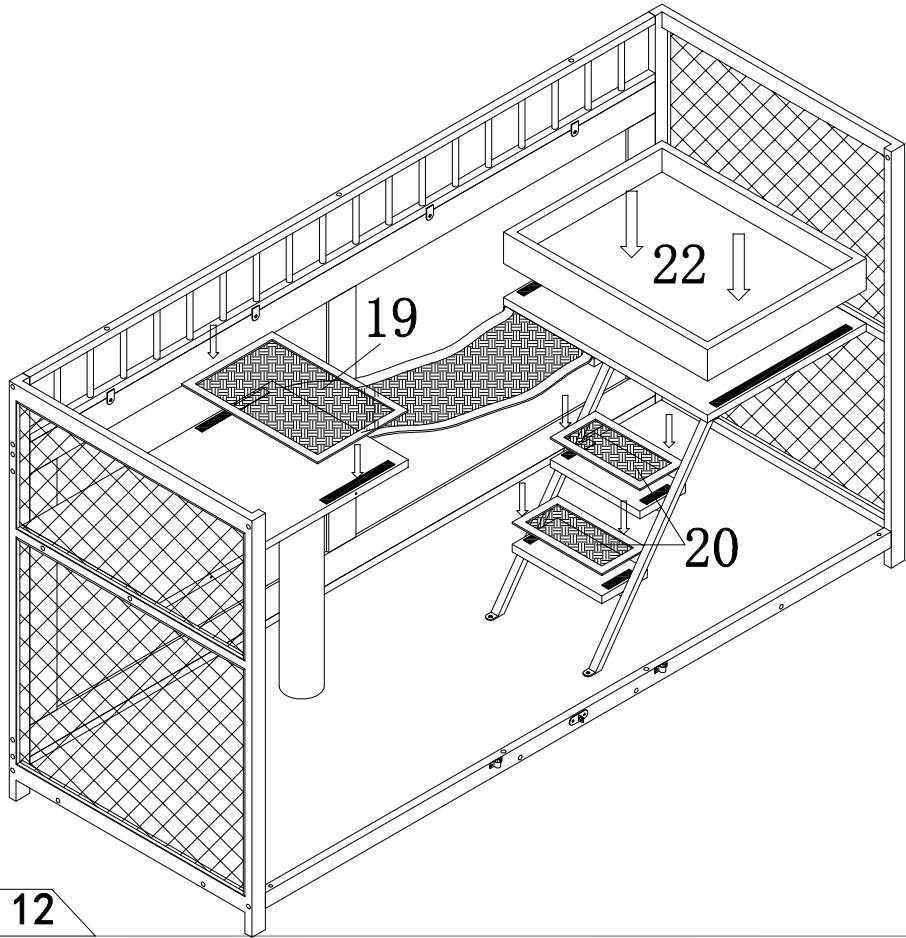
step 9



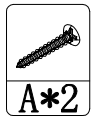
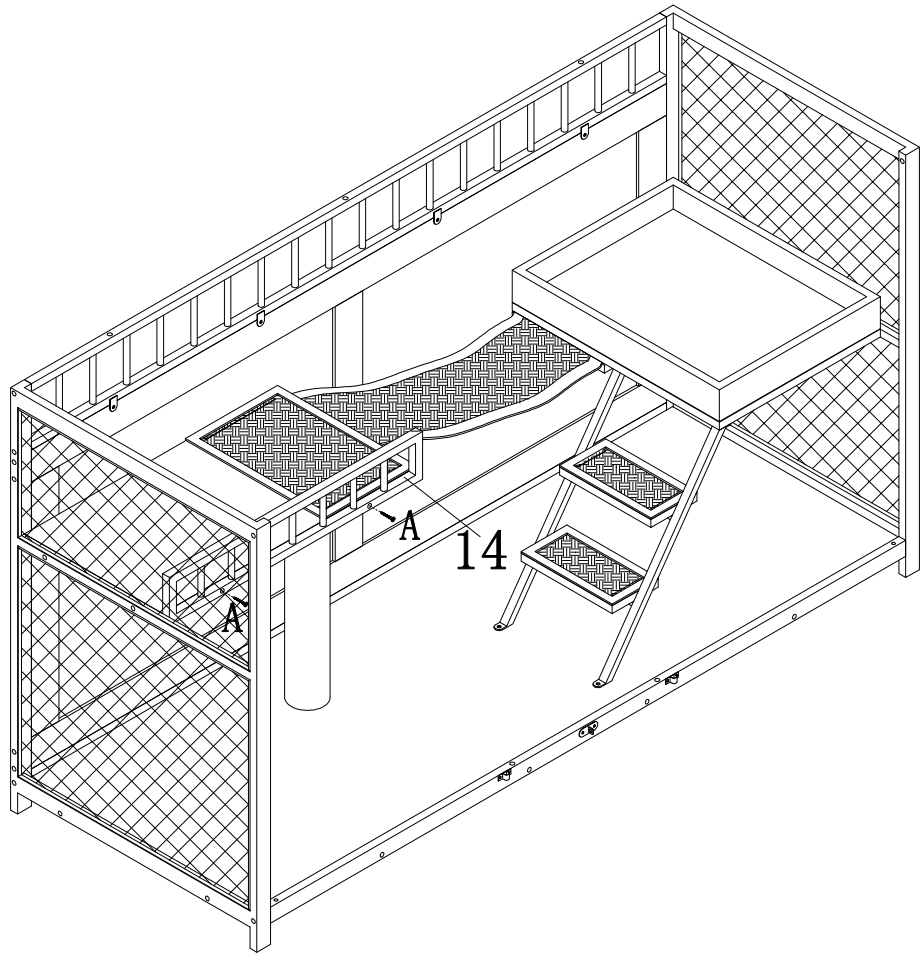
step 10



step 11

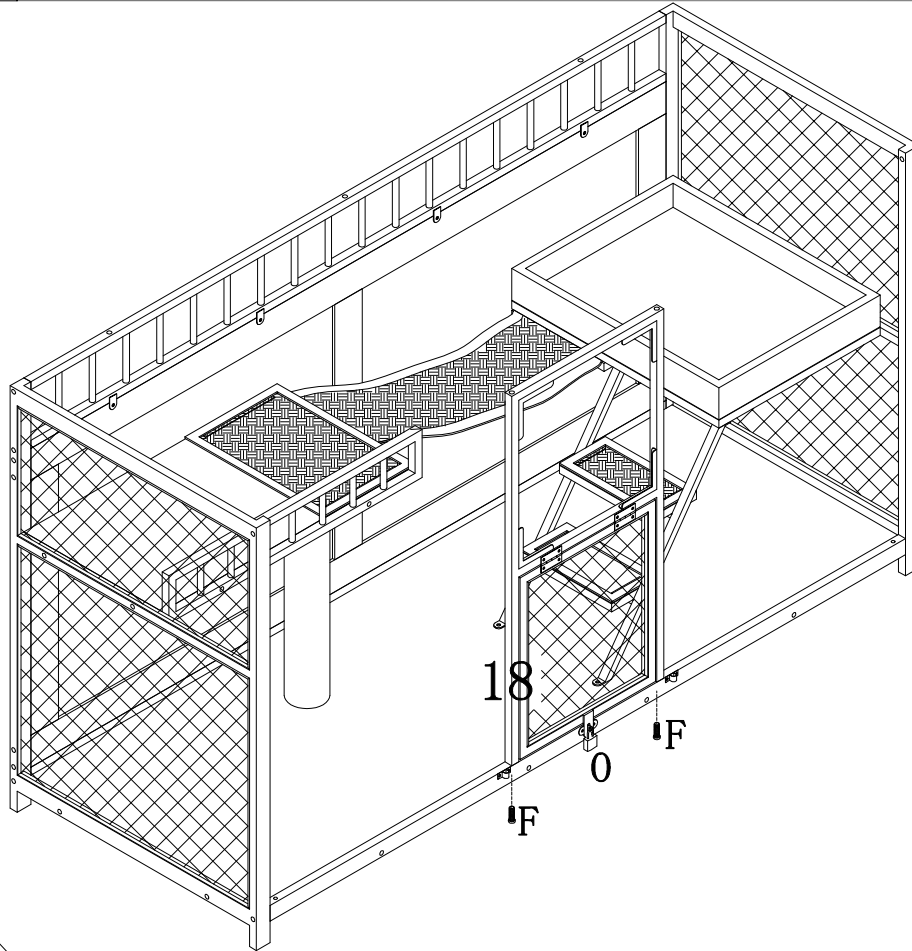


step 12

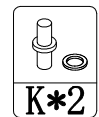
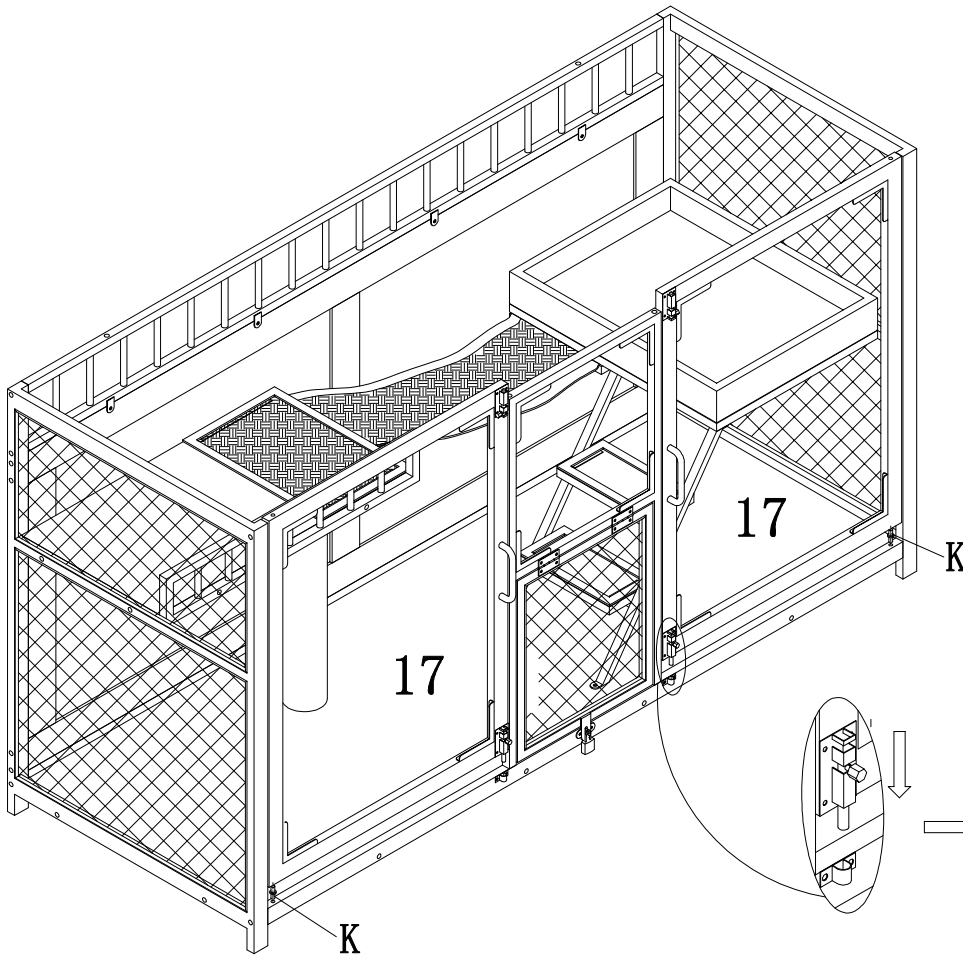




step 13

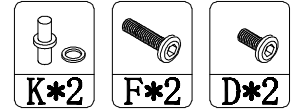
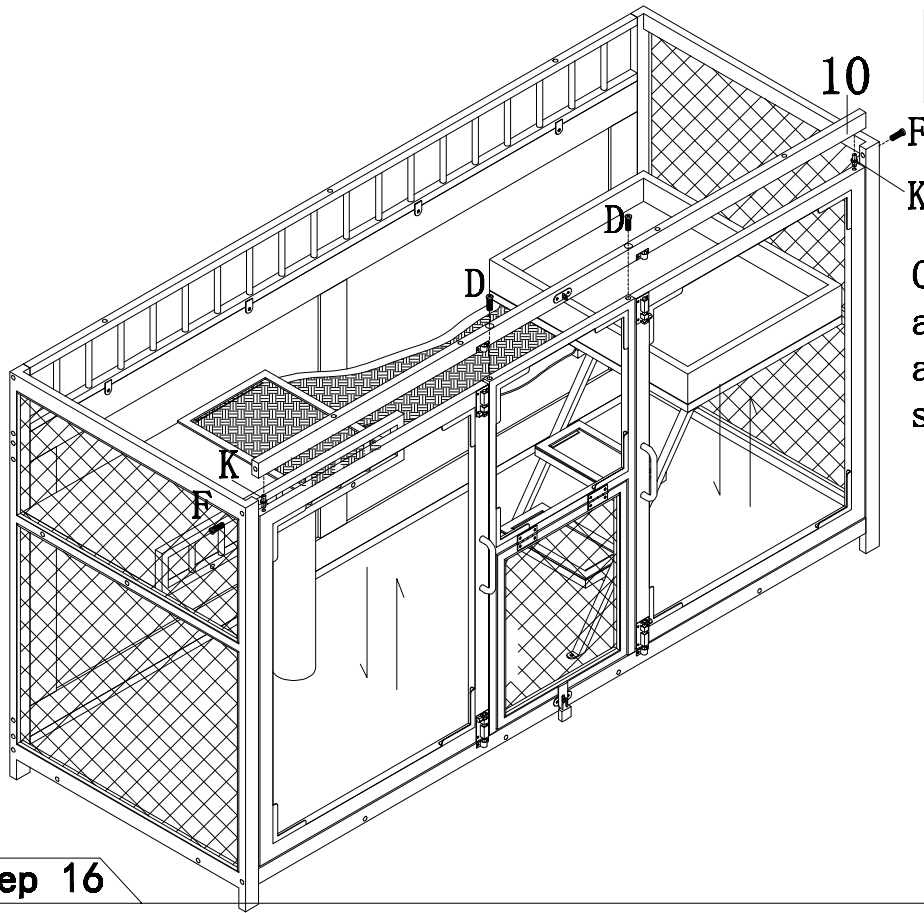


step 14



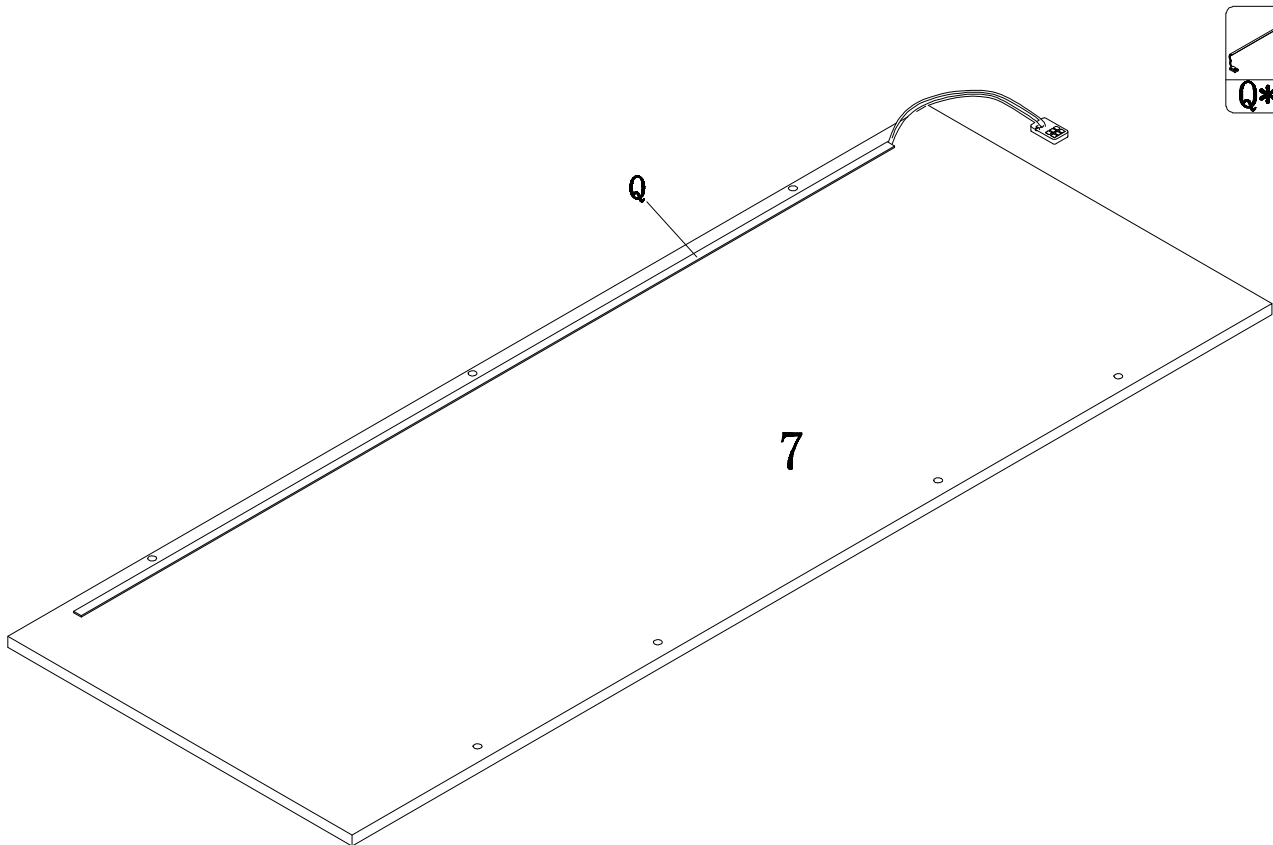
Confirm whether to  
add gasket  
according to the  
size of door seam

**step 15**



Confirm whether to  
add gasket  
according to the  
size of door seam

**step 16**



step 17

