



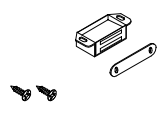

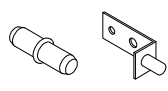
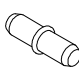

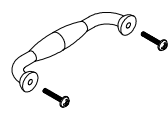
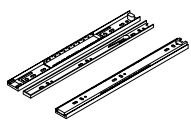
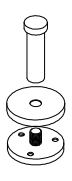
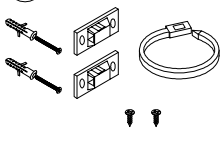

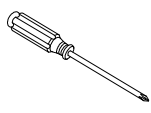
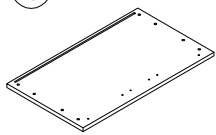
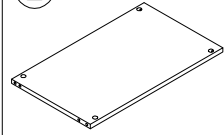
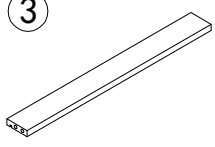
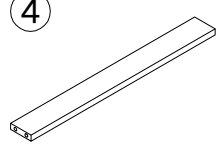
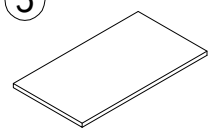
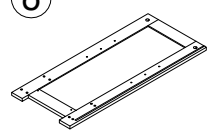
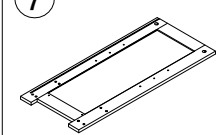
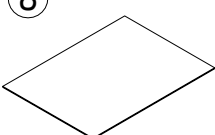
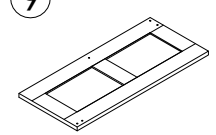
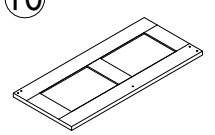
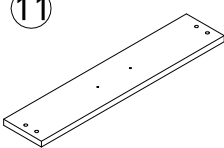
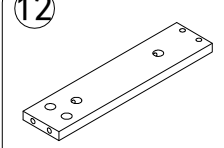
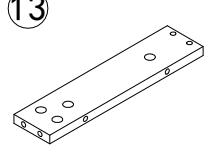
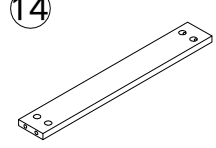
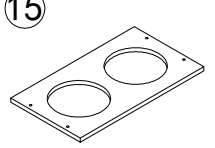


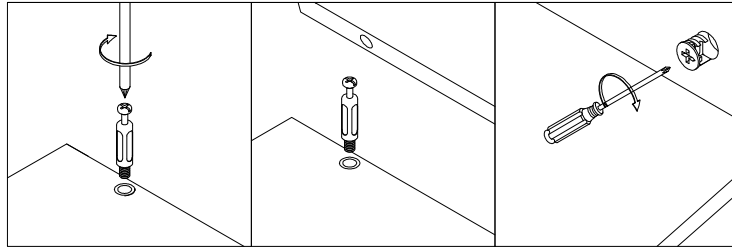
Hardware List

(A)  26PCS (M6*40)	(B)  10PCS (M8*40)	(C)  26PCS (ø12*15)	(D)  4PCS	(E)  2PCS
(F)  29PCS (M4*12)	(G)  2PCS	(H)  4PCS	(I)  2PCS	(J)  1PCS
(K)  1PC	(L)  3PCS	(M)  1PC	 2PCS	 1PC

Panel List

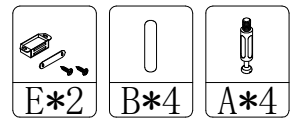
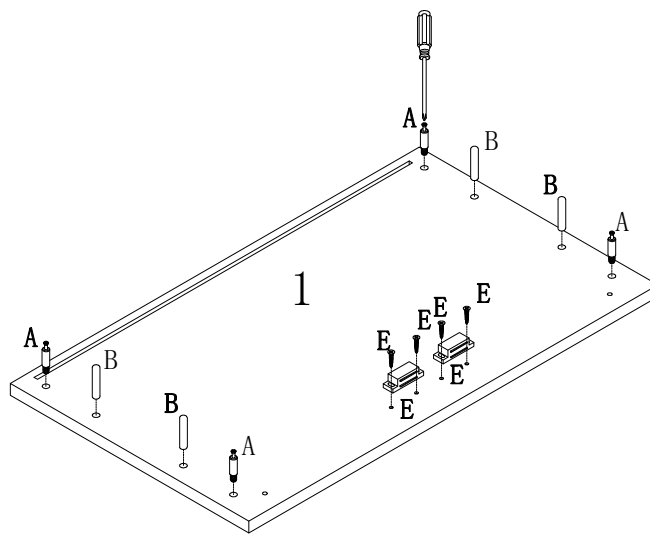
(1)  1PC	(2)  1PC	(3)  1PC	(4)  1PC	(5)  1PC
(6)  1PC	(7)  1PC	(8)  1PC	(9)  1PC	(10)  1PC
(11)  1PC	(12)  1PC	(13)  1PC	(14)  1PC	(15)  1PC

Assembling the unit with camlocks and wood dowels

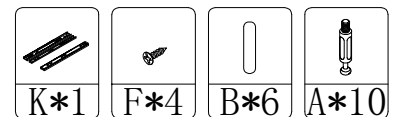
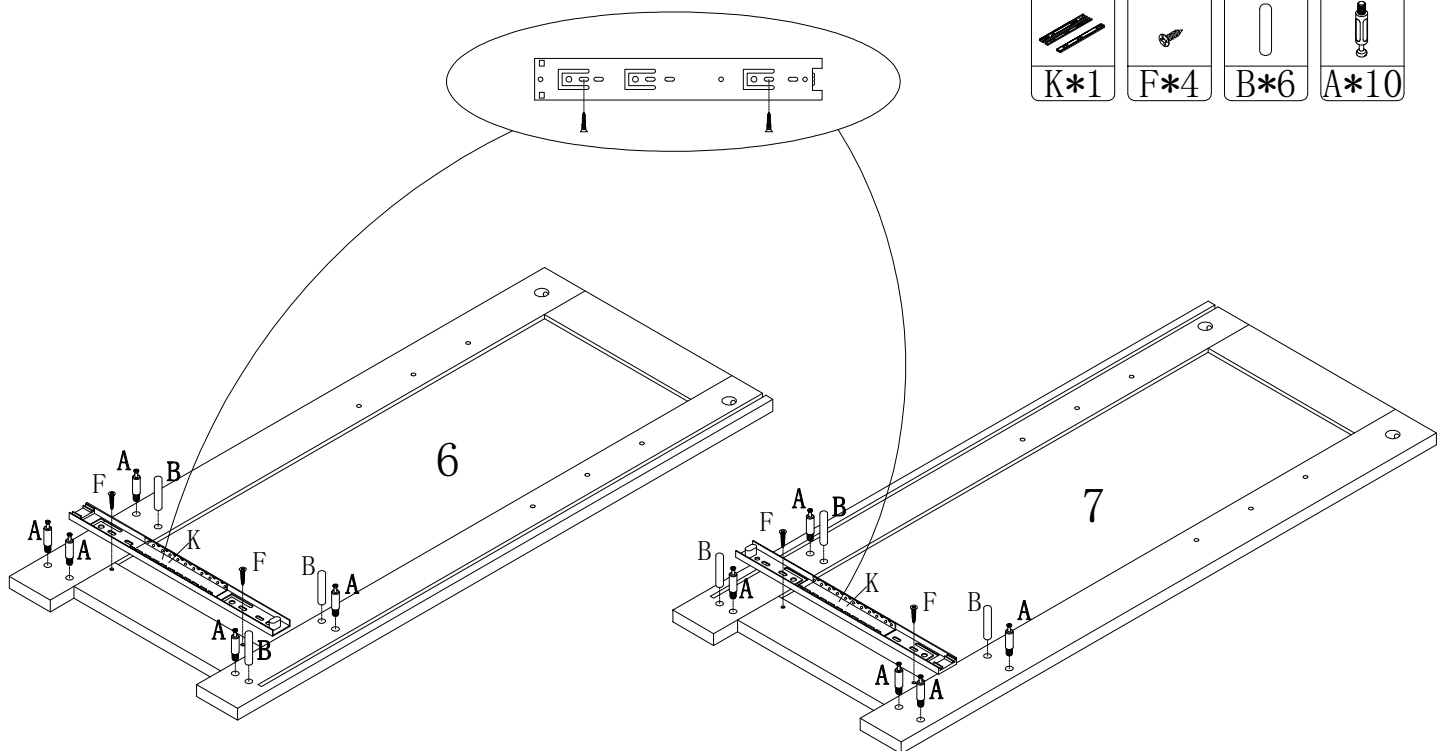


Assembly instructions

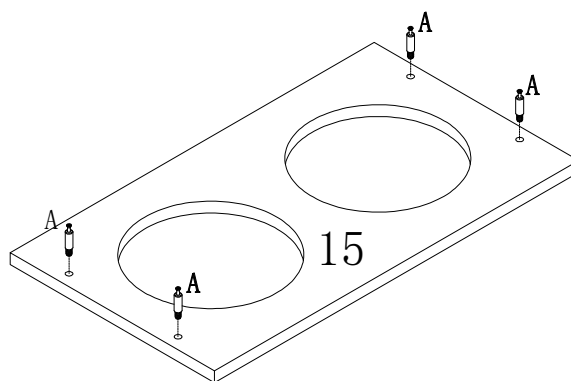
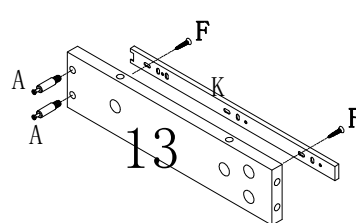
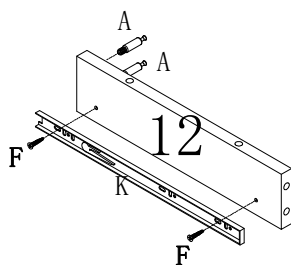
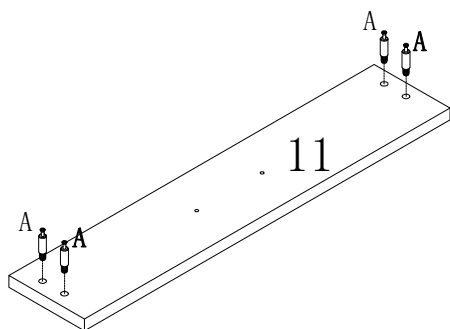
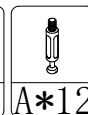
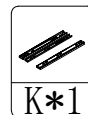
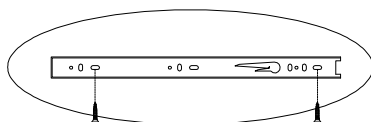
step 1



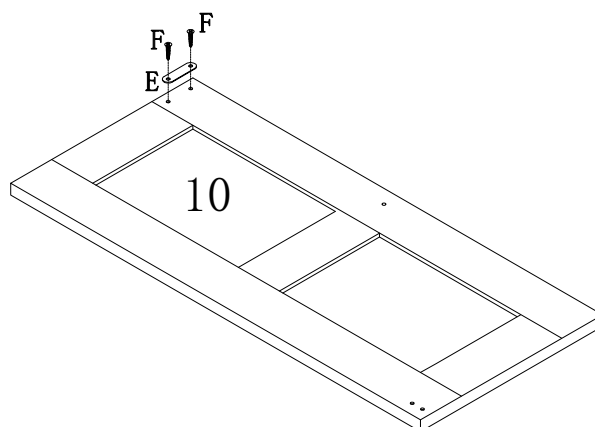
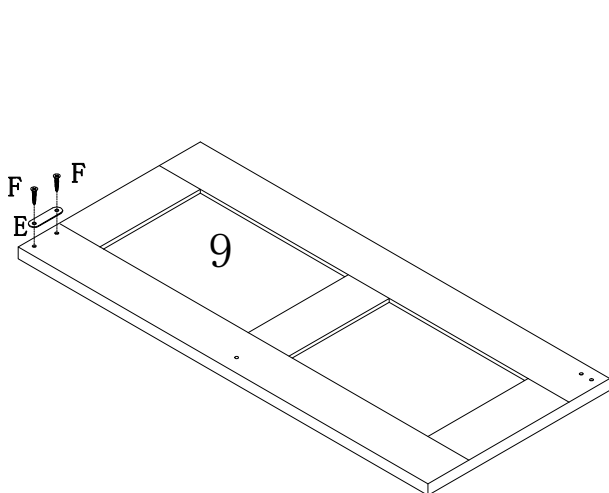
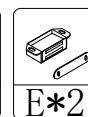
step 2



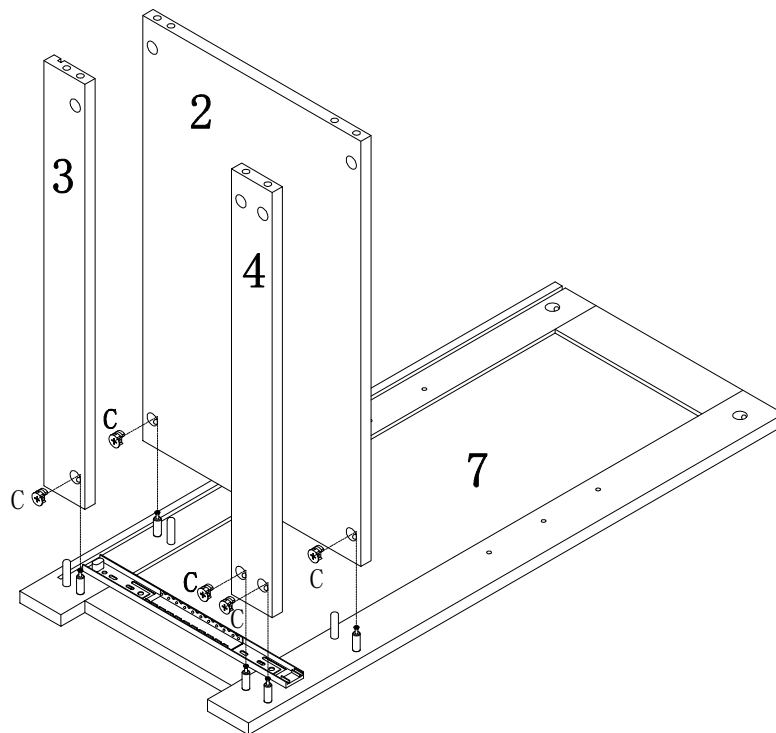
step 3



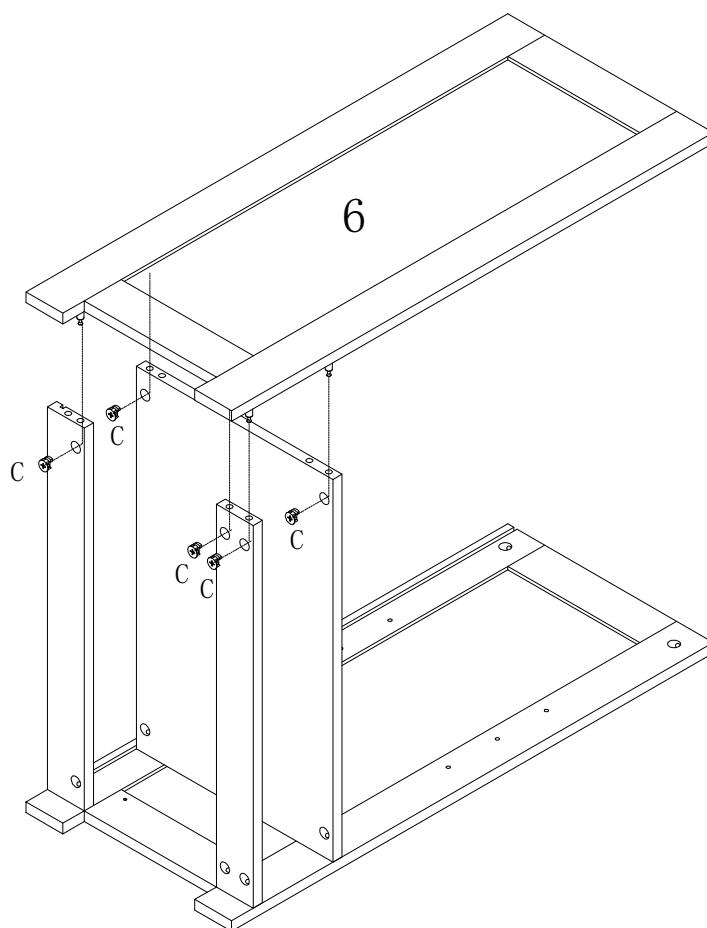
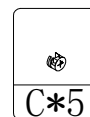
step 4



step 5

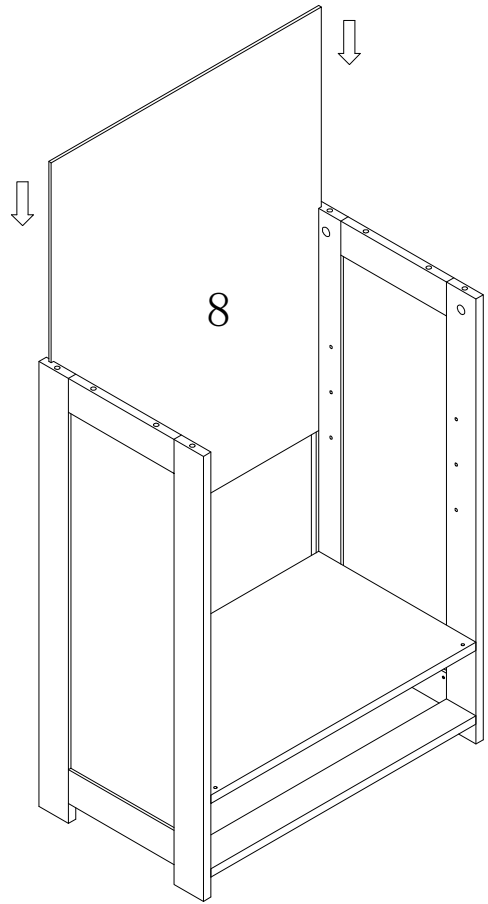


step 6

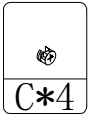
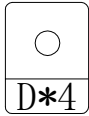
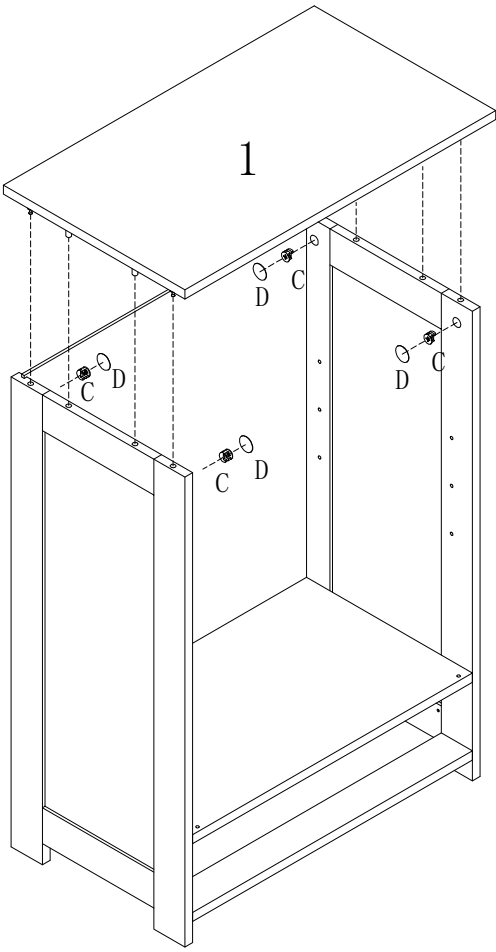


5

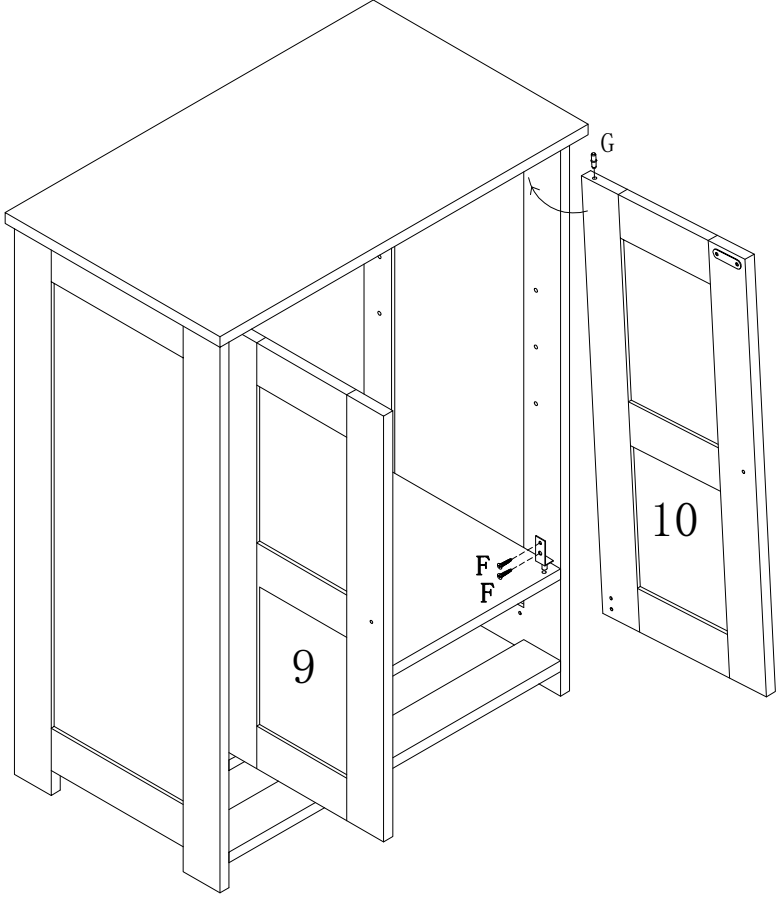
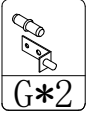
step 7



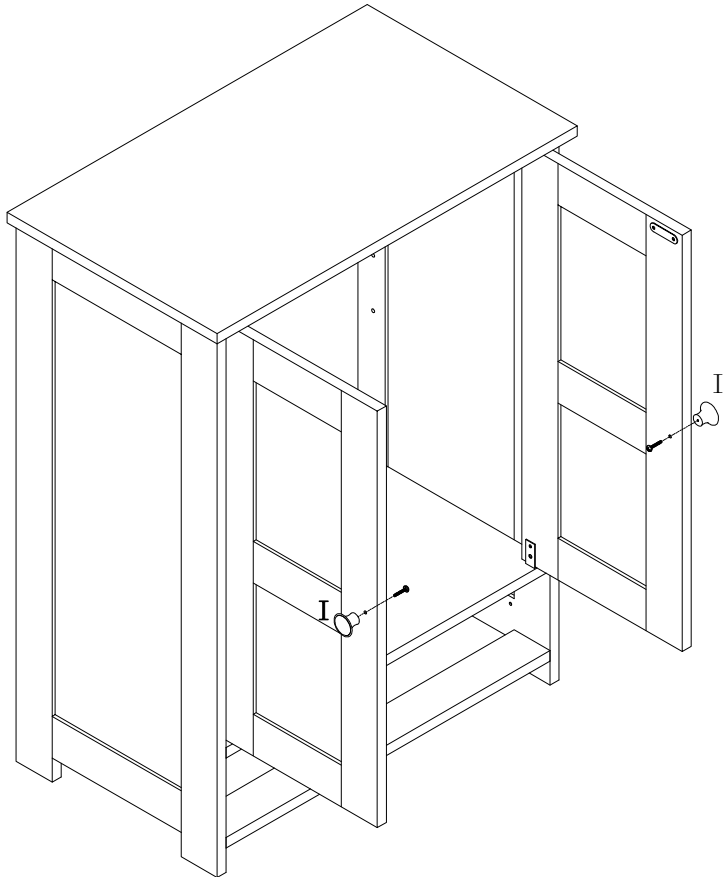
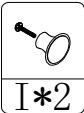
step 8



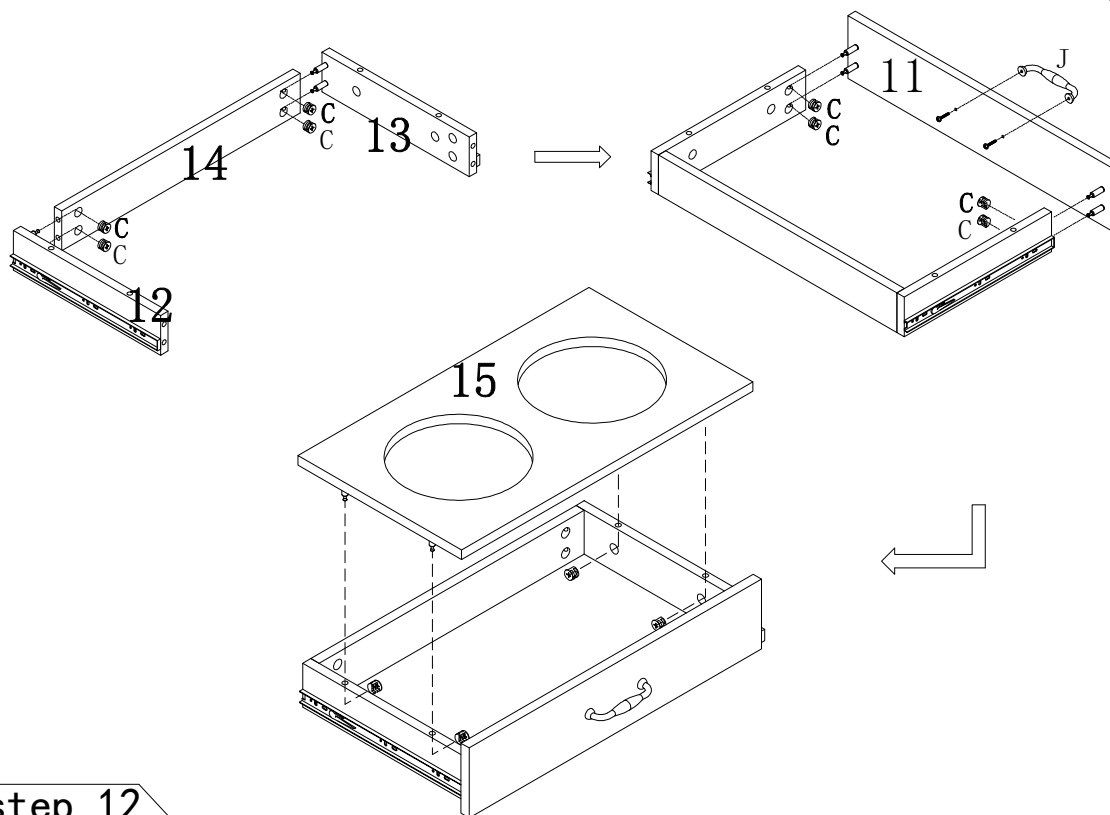
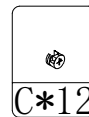
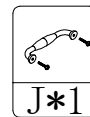
step 9



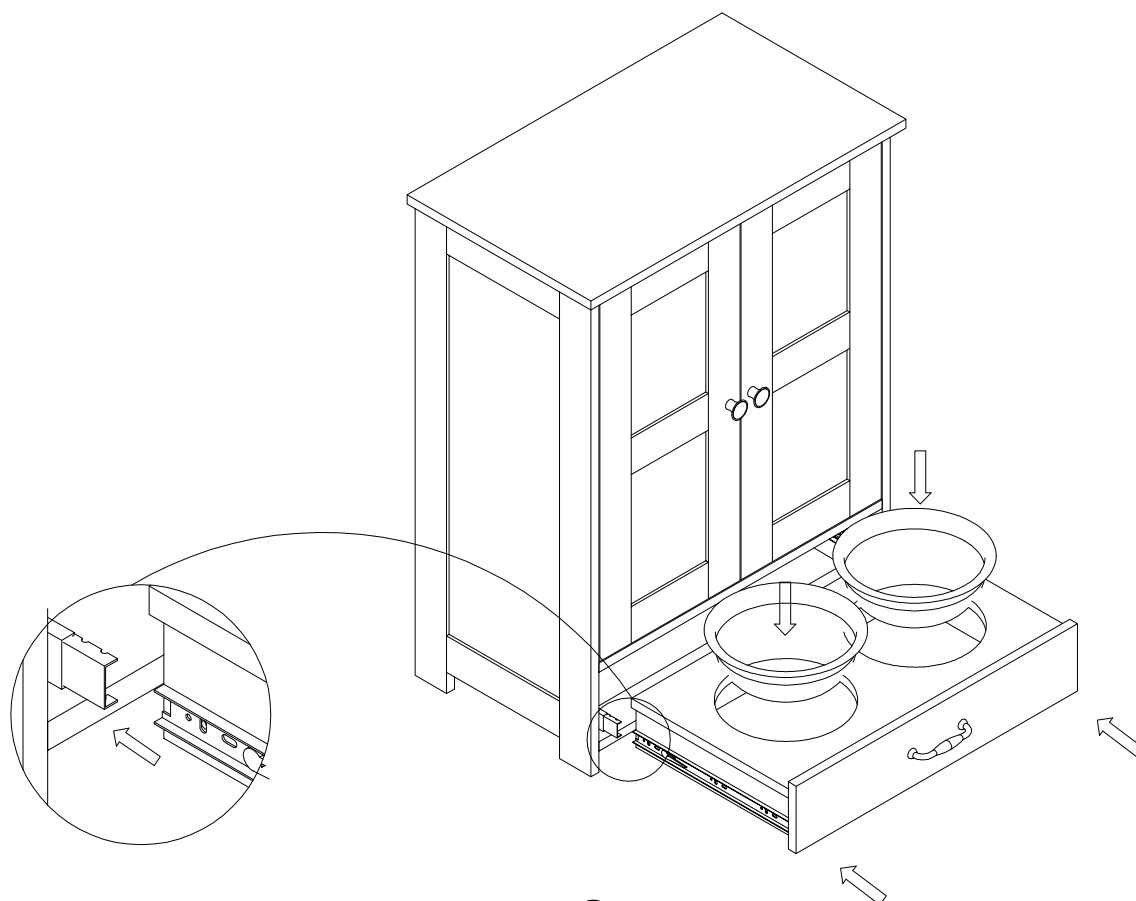
step 10



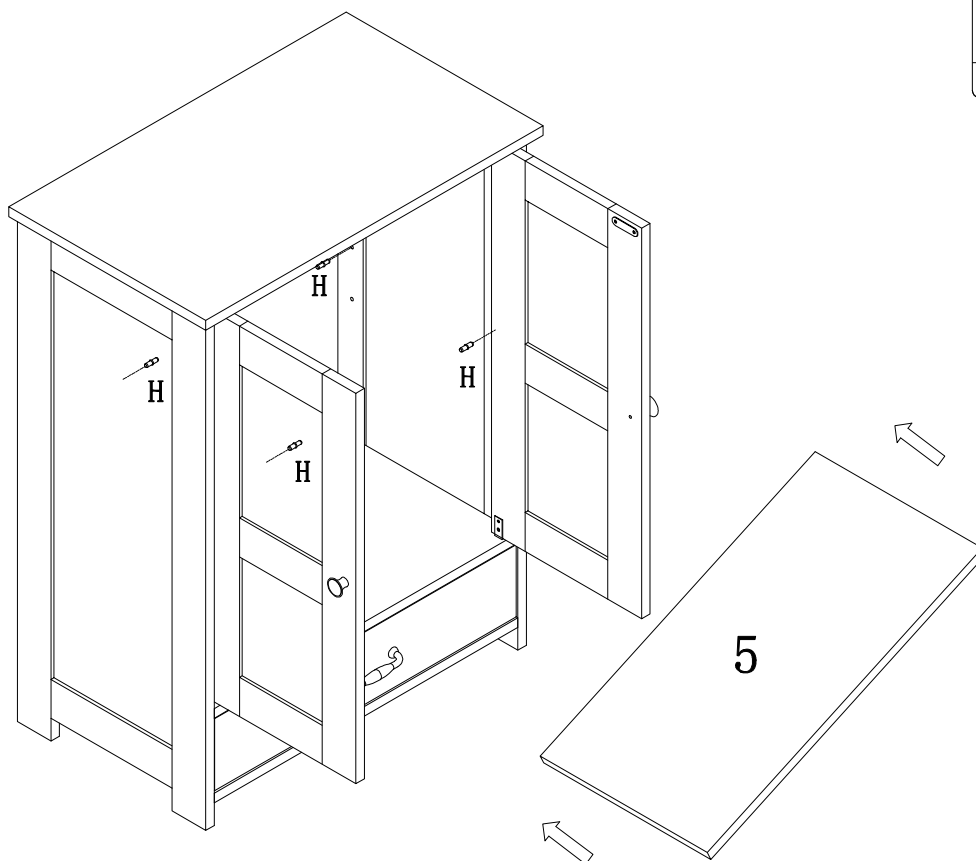
step 11



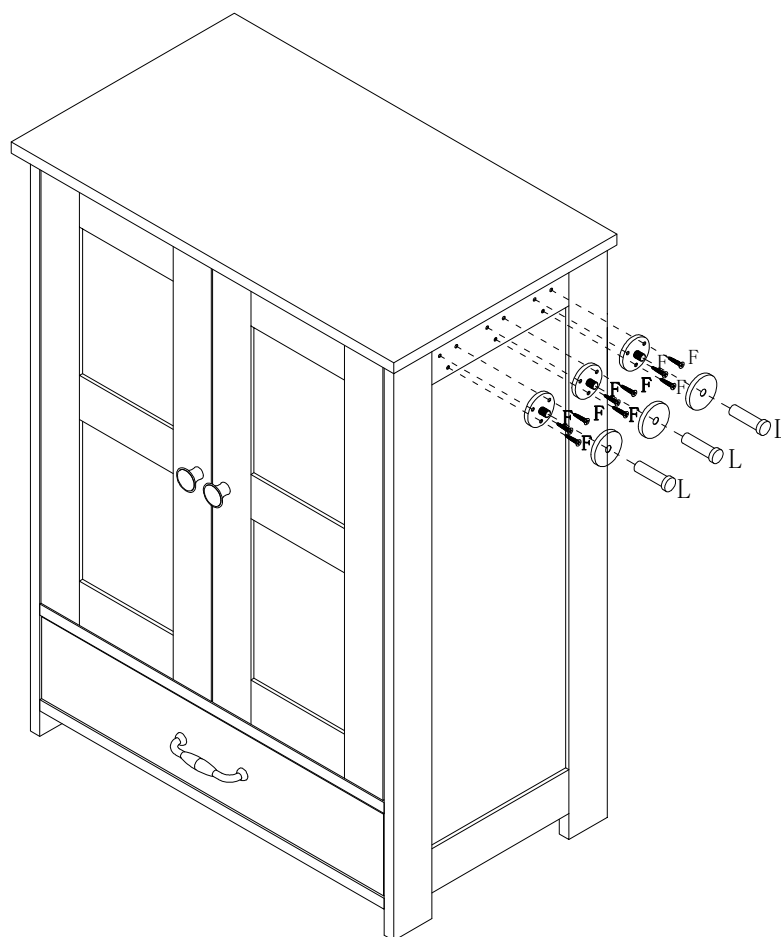
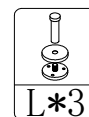
step 12

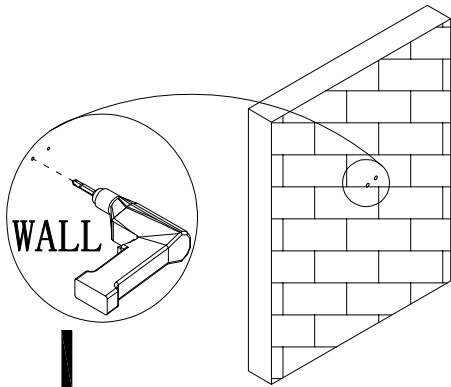
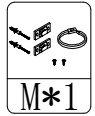


step 13



step 14





Installation instructions for
furniture anti-tip device

