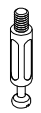





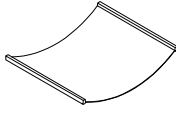
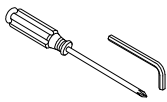
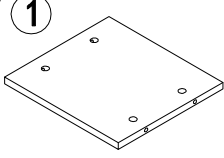
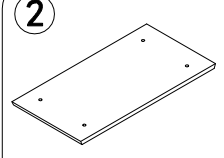
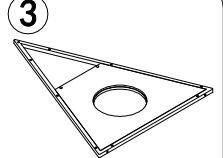
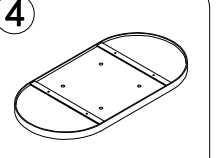
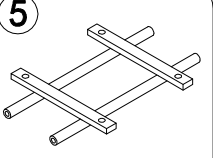
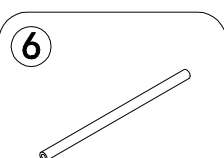
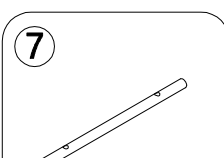


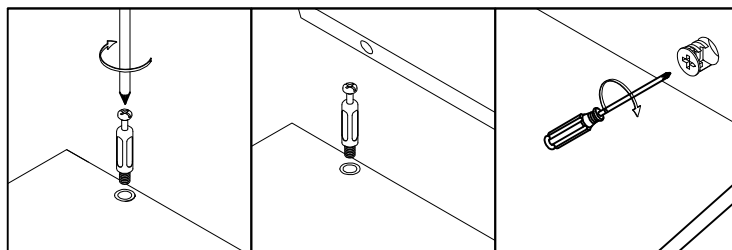
Hardware List

A  4PCS (M6*40)	B  4PCS (ø12*15)	C  18PCS (M6*30)	D  4PCS (M6*23)	E  4PCS (M6*16)
F  4PCS	G  2PCS	 1PC		

Panel List

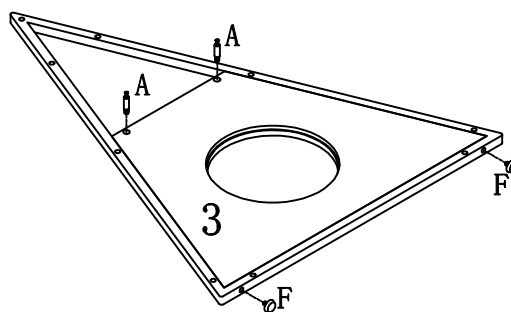
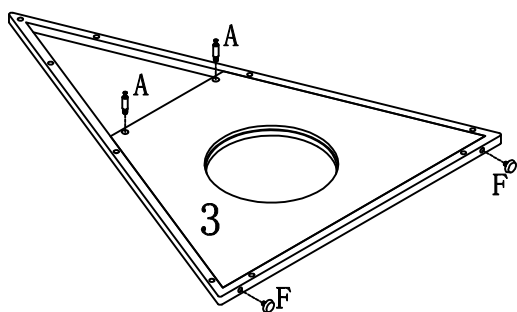
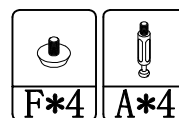
- | | | | | |
|--|--|---|---|--|
| 1

1PC | 2

1PC | 3

2PCS | 4

1PC | 5

1PC |
| 6

5PC | 7

2PC | | | |

Assembling the unit with camlocks and wood dowels

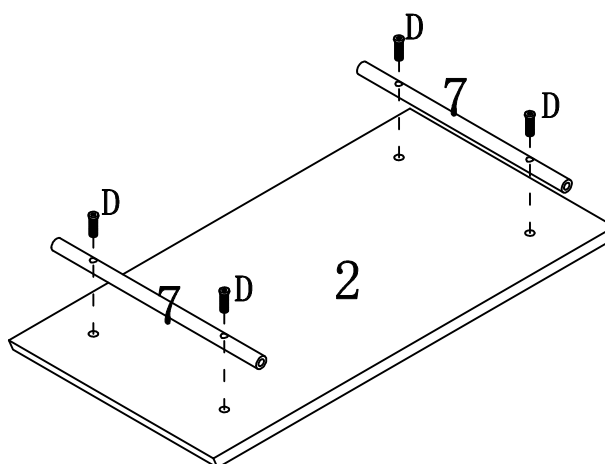
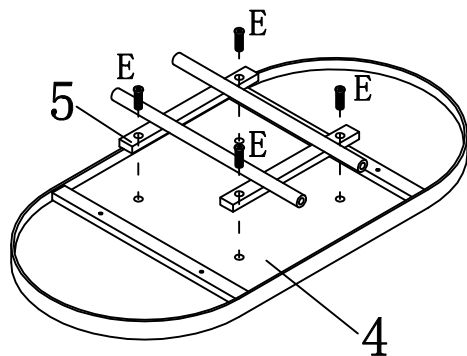
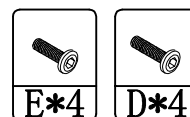


Assembly instructions

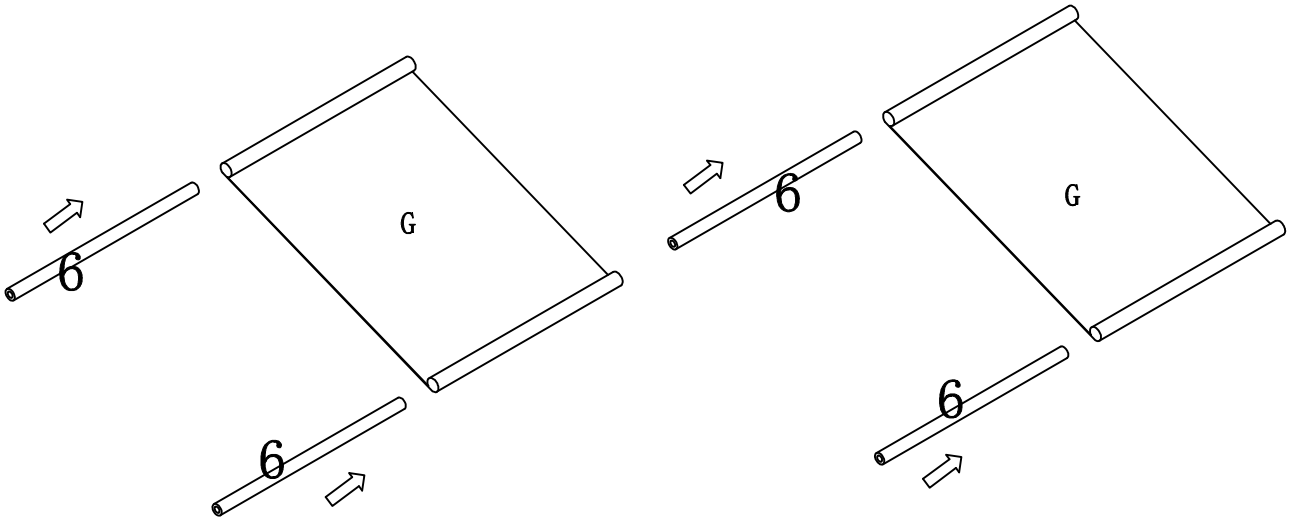
step 1



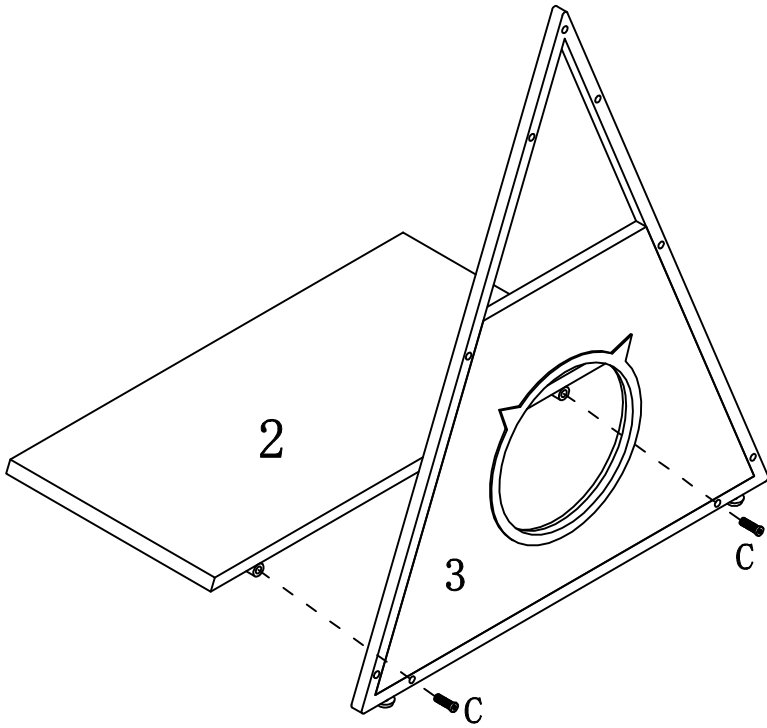
step 2



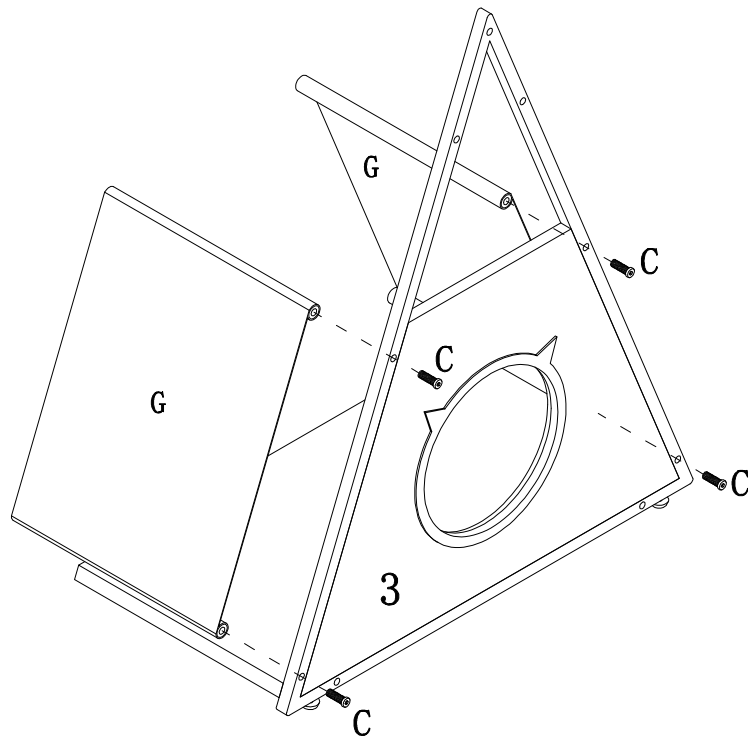
step 3



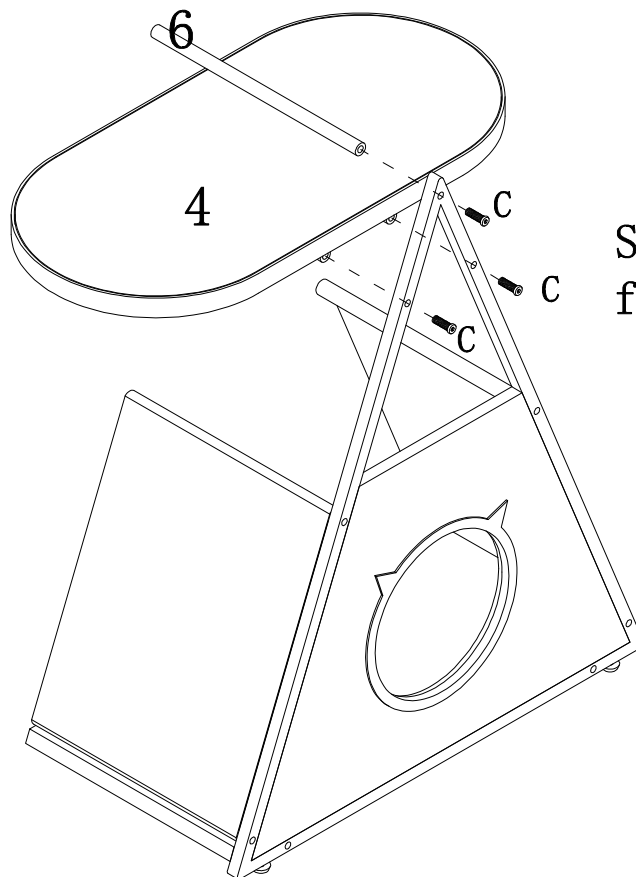
step 4



step 5

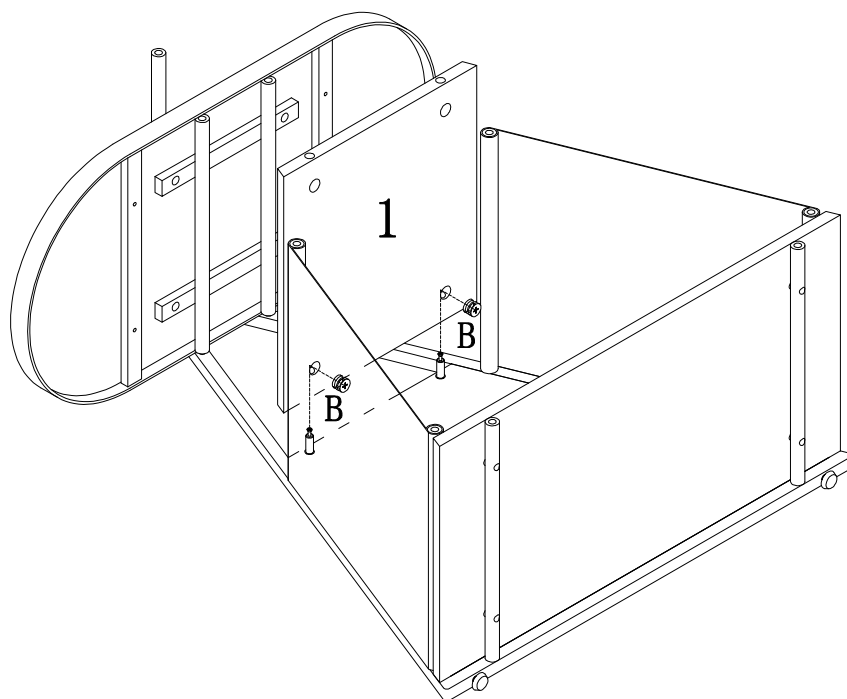
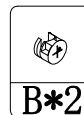


step 6



Screw to 30% , and finally to 100%

step 7



step 8



Screw to 30% , and finally to 100%

