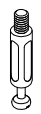




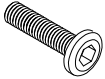
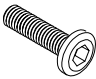
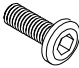


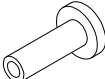


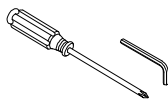
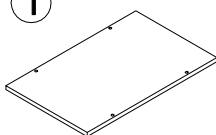
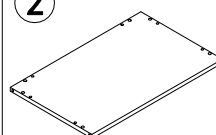
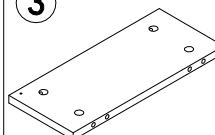
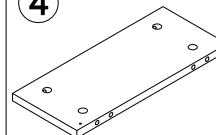
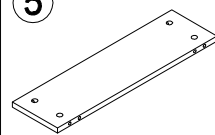
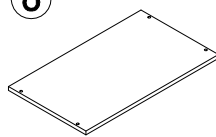
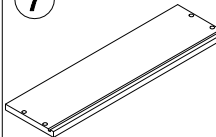
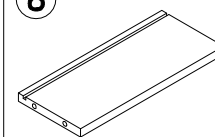
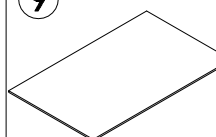
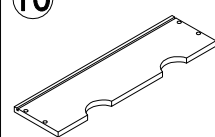
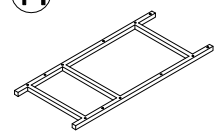
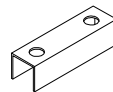
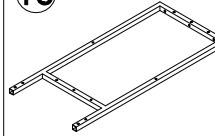
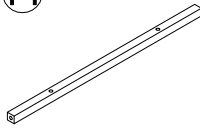
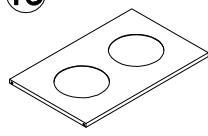
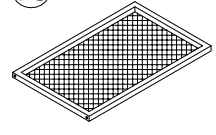
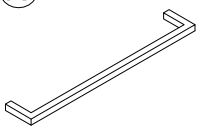


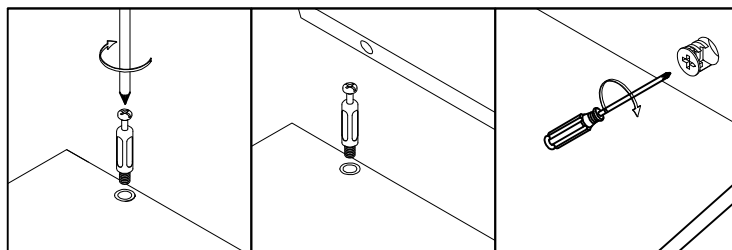
## Hardware List

<b>A</b>  20PCS (M6*40)	<b>B</b>  12PCS (M8*40)	<b>C</b>  20PCS (ø12*15)	<b>D</b>  20PCS	<b>E</b>  8PCS (M5*50)
<b>F</b>  8PCS (M6*35)	<b>G</b>  18PCS (M6*30)	<b>H</b>  2PCS (M6*20)	<b>I</b>  8PCS (M6*10)	<b>J</b>  2PCS
<b>K</b>  6PCS	<b>L</b>  4PCS	 2PCS	 1PC	

## Panel List

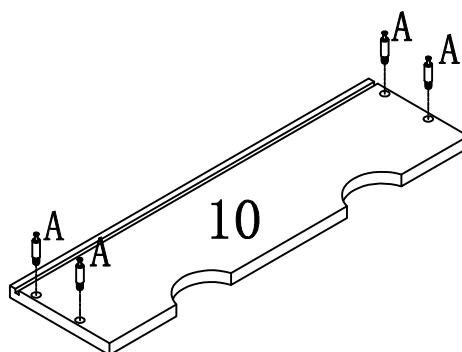
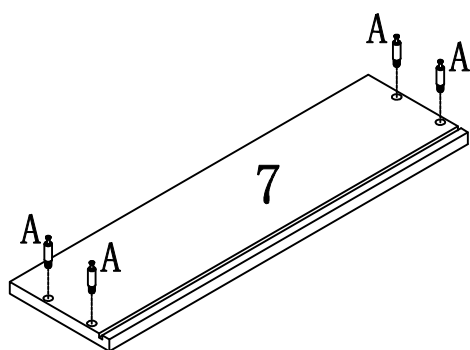
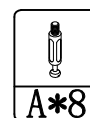
<b>1</b>  1PC	<b>2</b>  2PC	<b>3</b>  1PC	<b>4</b>  1PC	<b>5</b>  1PC
<b>6</b>  1PC	<b>7</b>  1PC	<b>8</b>  2PC	<b>9</b>  1PC	<b>10</b>  1PC
<b>11</b>  2PC	<b>12</b>  4PC	<b>13</b>  2PC	<b>14</b>  2PC	<b>15</b>  1PC
<b>16</b>  1PC	<b>17</b>  1PC			

## Assembling the unit with camlocks and wood dowels

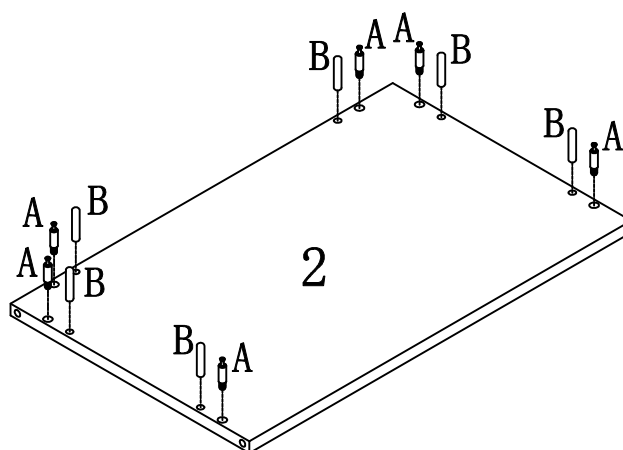
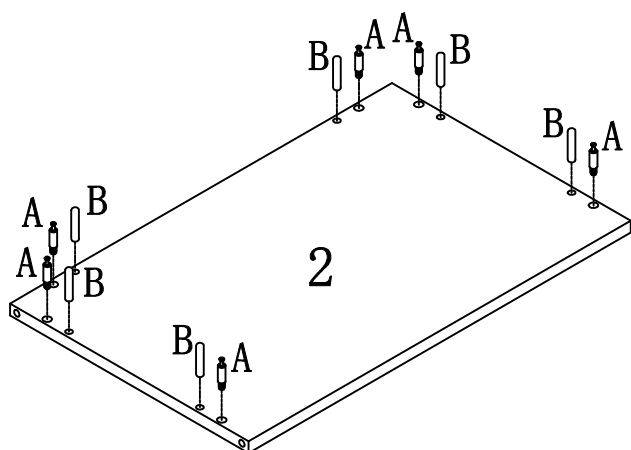
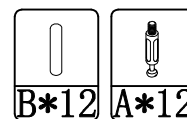


## Assembly instructions

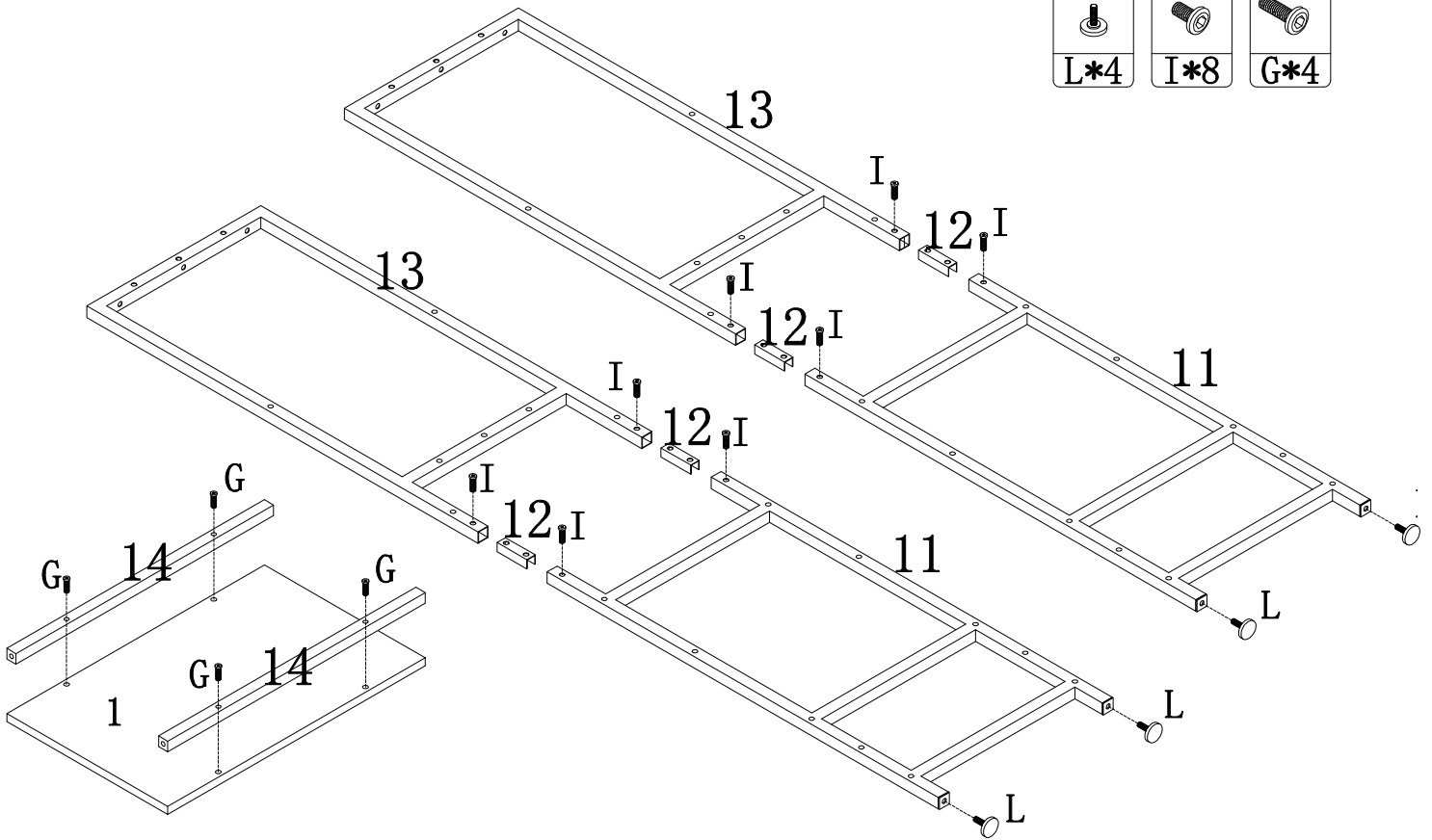
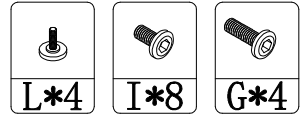
### step 1



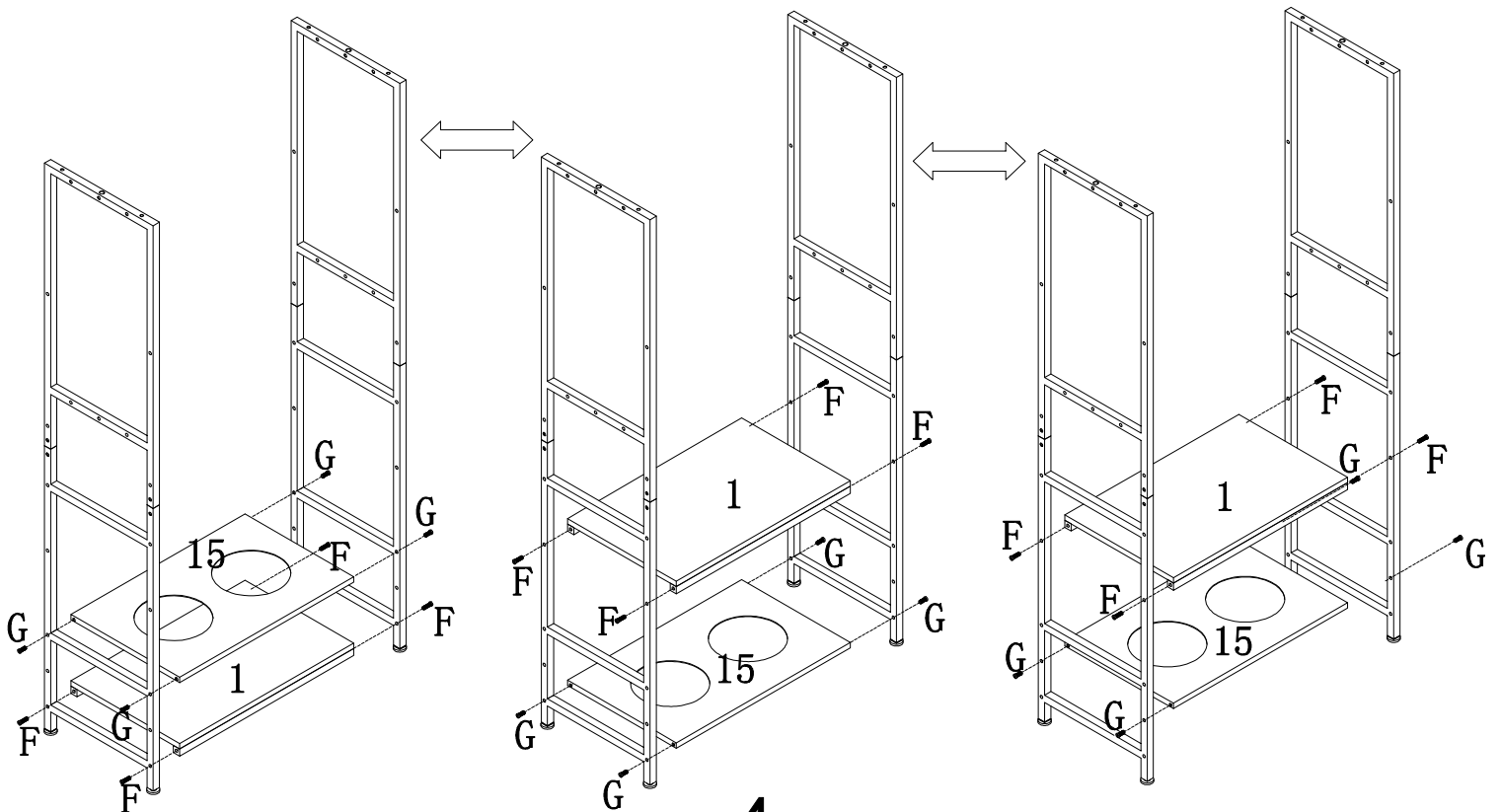
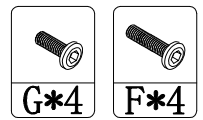
### step 2



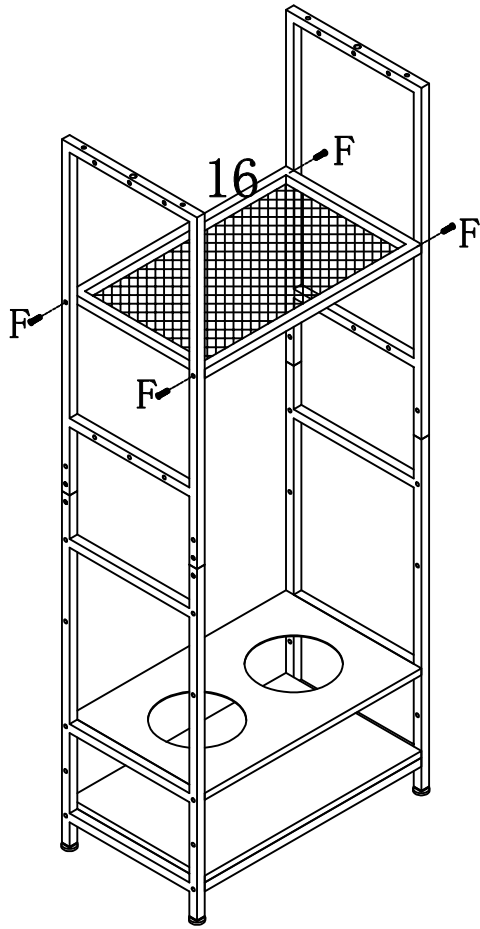
step 3



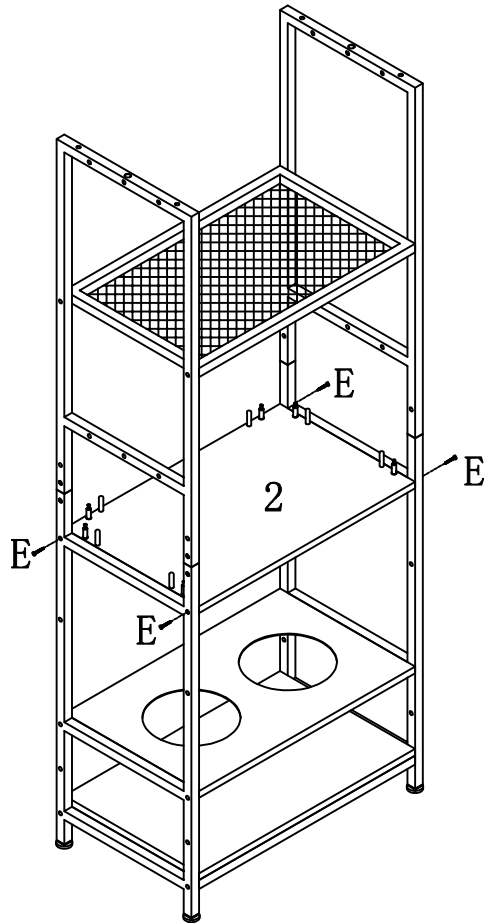
step 4



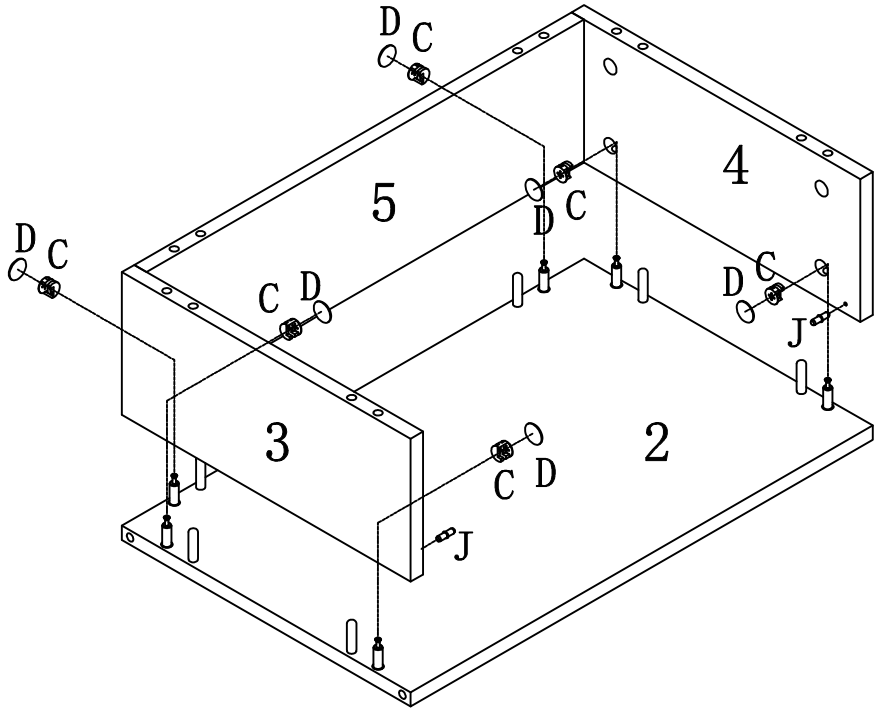
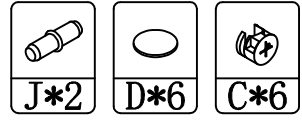
step 5



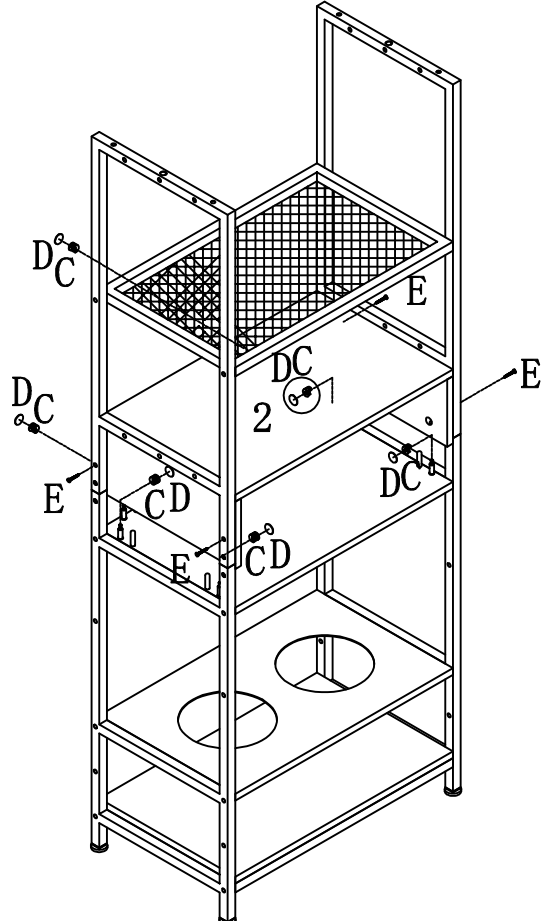
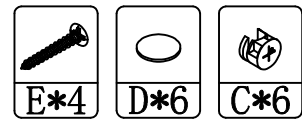
step 6



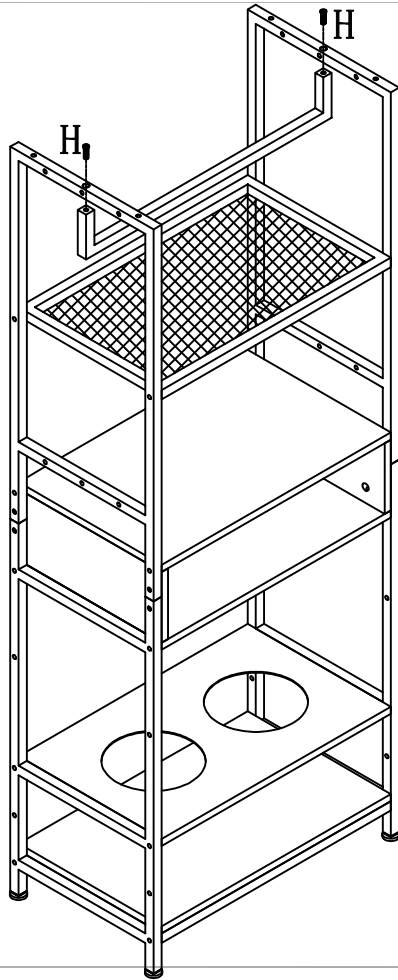
step 7



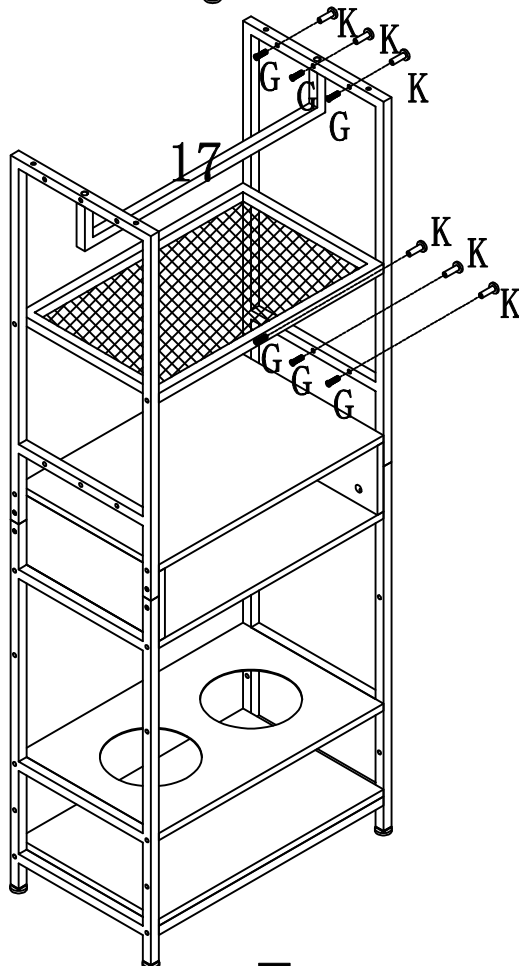
step 8



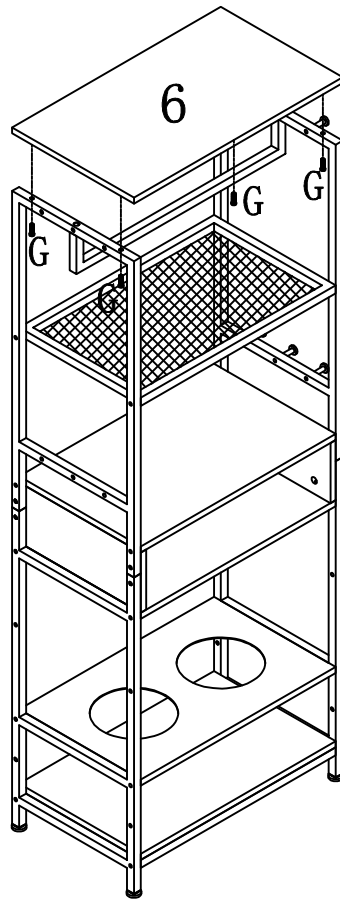
step 9



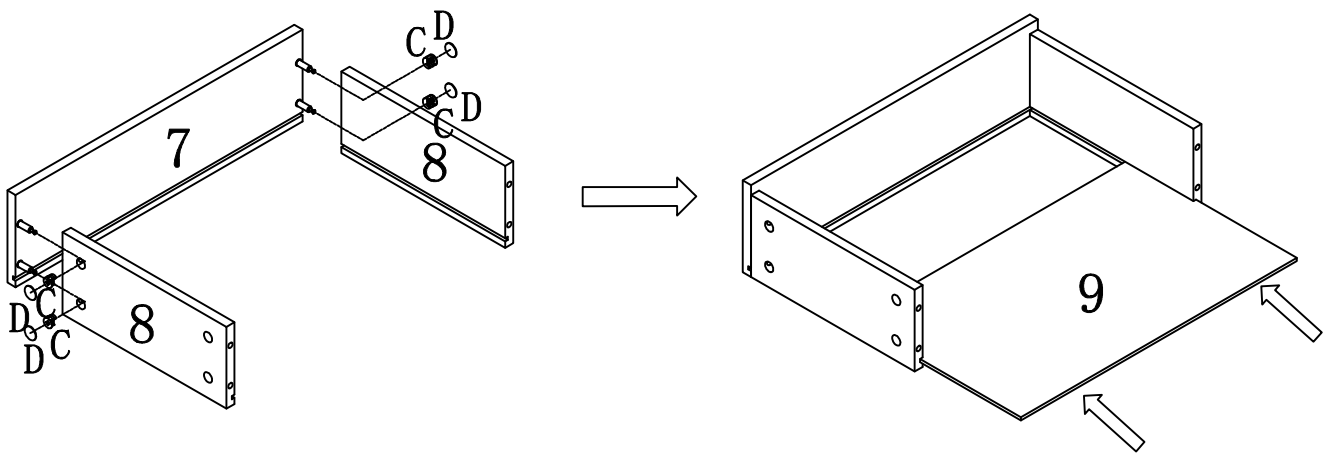
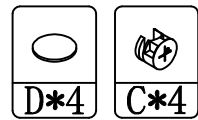
step 10



step 11

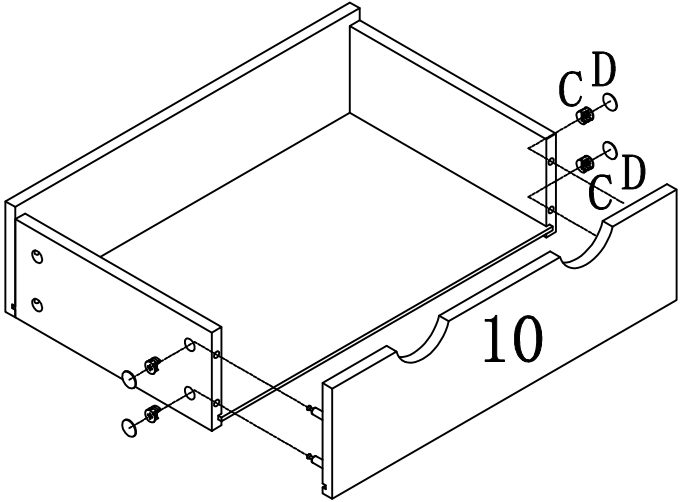
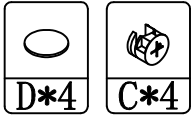


step 12





step 13



step 14

