




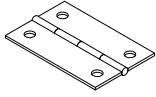
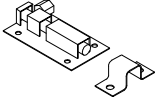

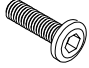
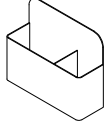

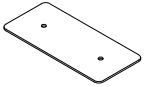
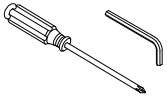
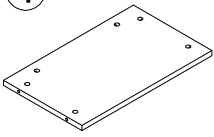
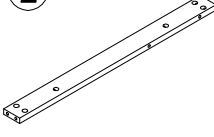
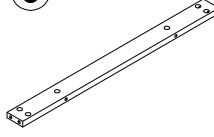
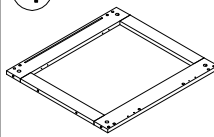
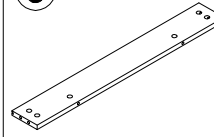
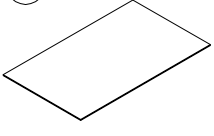
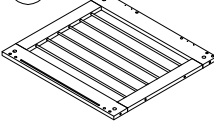
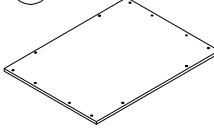
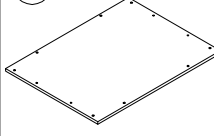
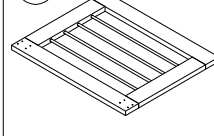


Right-Side Door Installation

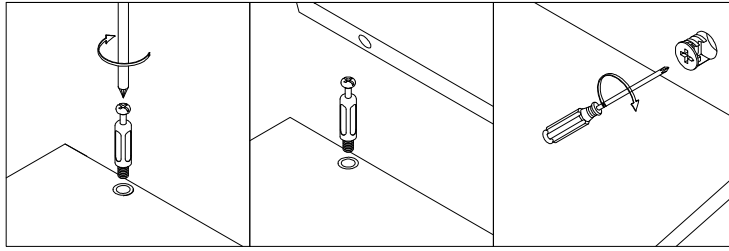
Hardware List

A  38PCS (M6*40)	B  8PCS (M8*40)	C  38PCS (ø12*15)	D  38PCS	E  42PCS (M4*16)
F  4PCS	G  4PCS	H  4PCS	I  4PCS (M6*16)	J  1PC
K  1PC	L  1PC	 1PC		

Panel List

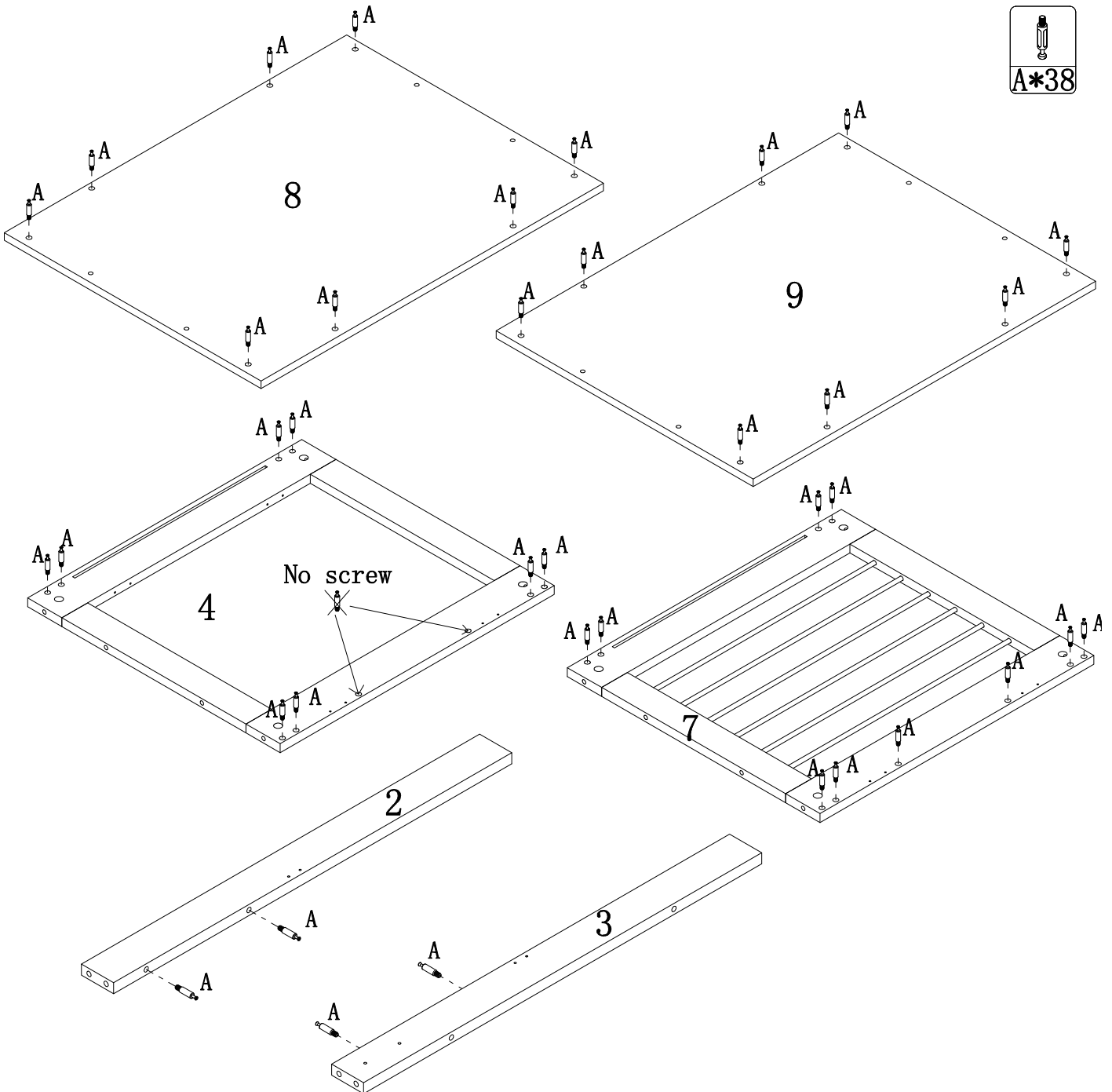
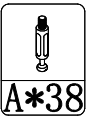
1  1PC	2  1PC	3  1PC	4  1PC	5  2PCS
6  1PC	7  1PC	8  1PC	9  1PC	10  2PCS

Assembling the unit with camlocks and wood dowels

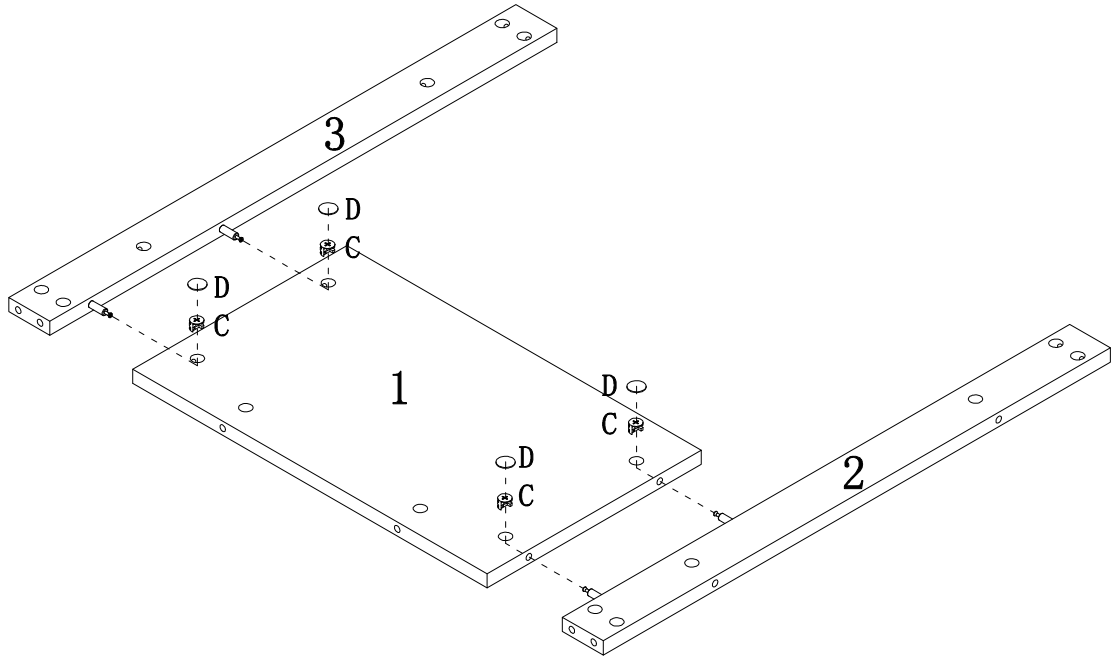
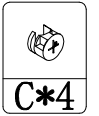
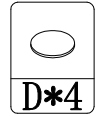


Assembly instructions

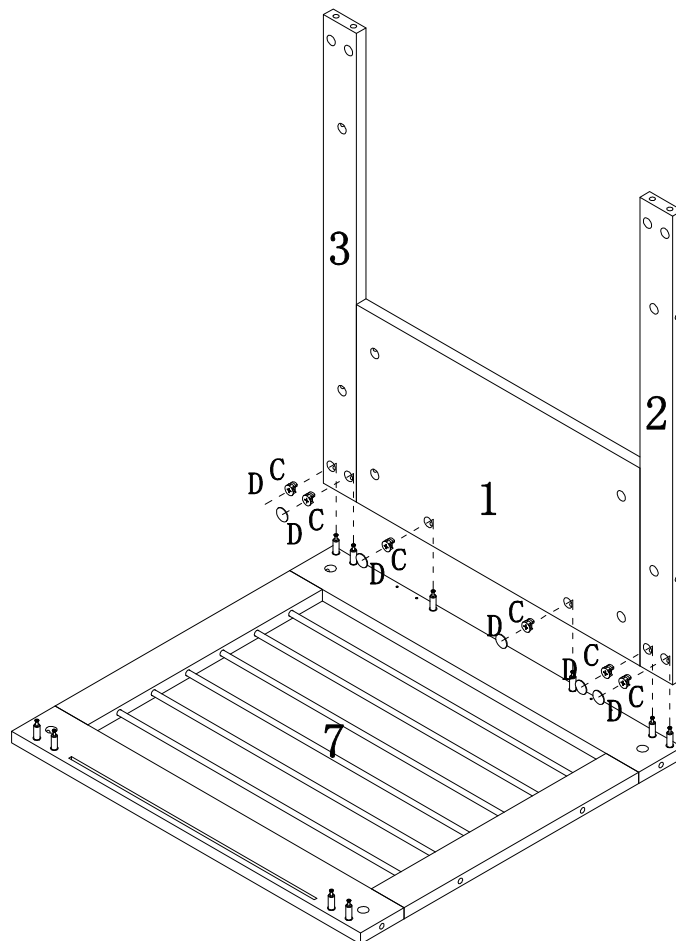
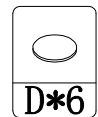
step 1



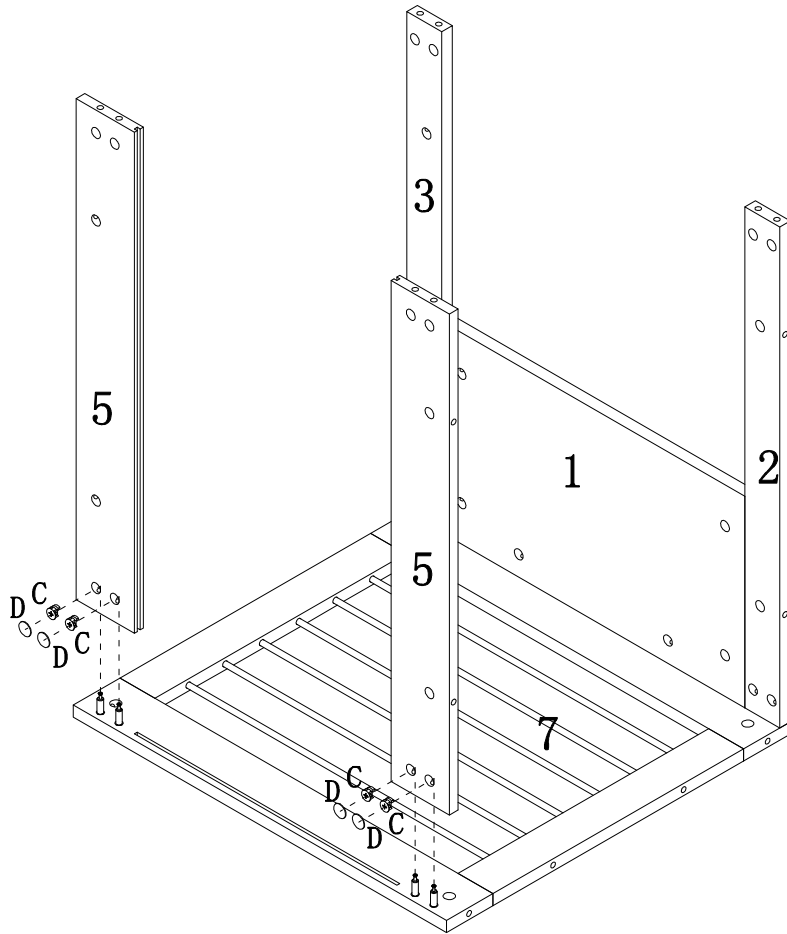
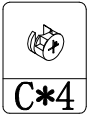
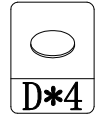
step 2



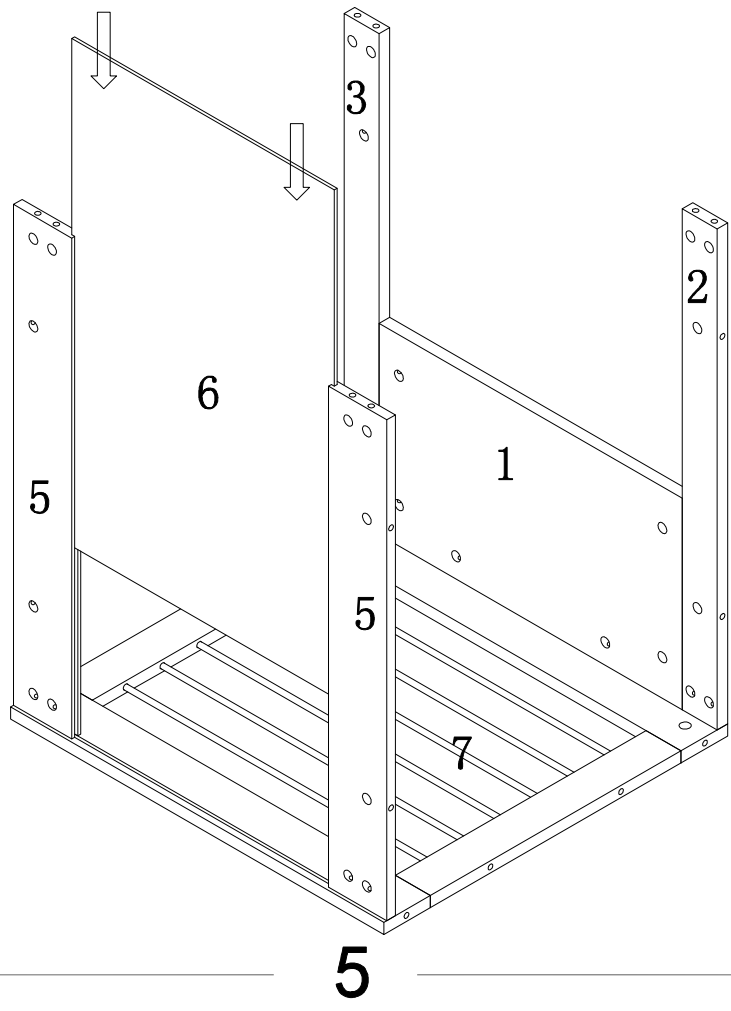
step 3



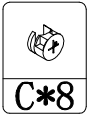
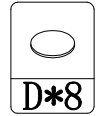
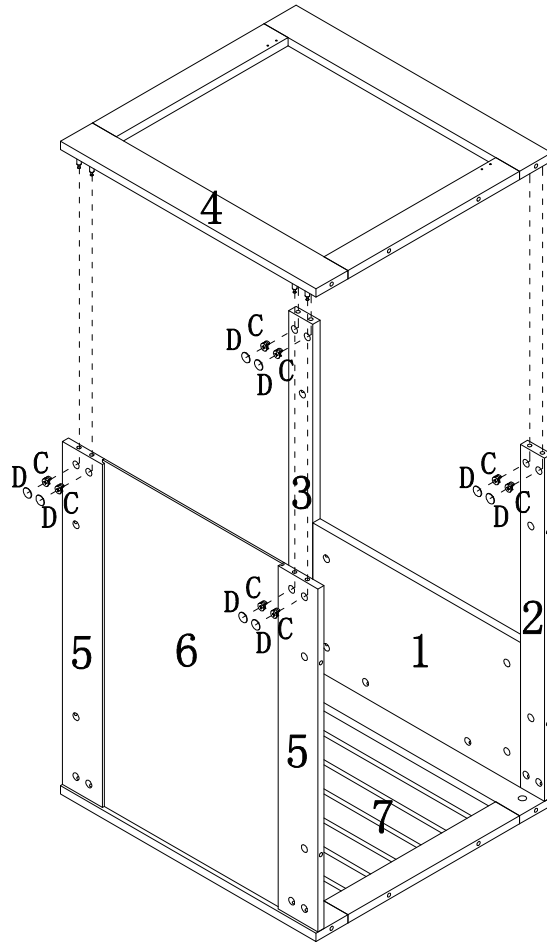
step 4



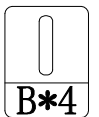
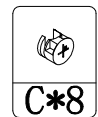
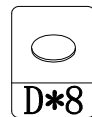
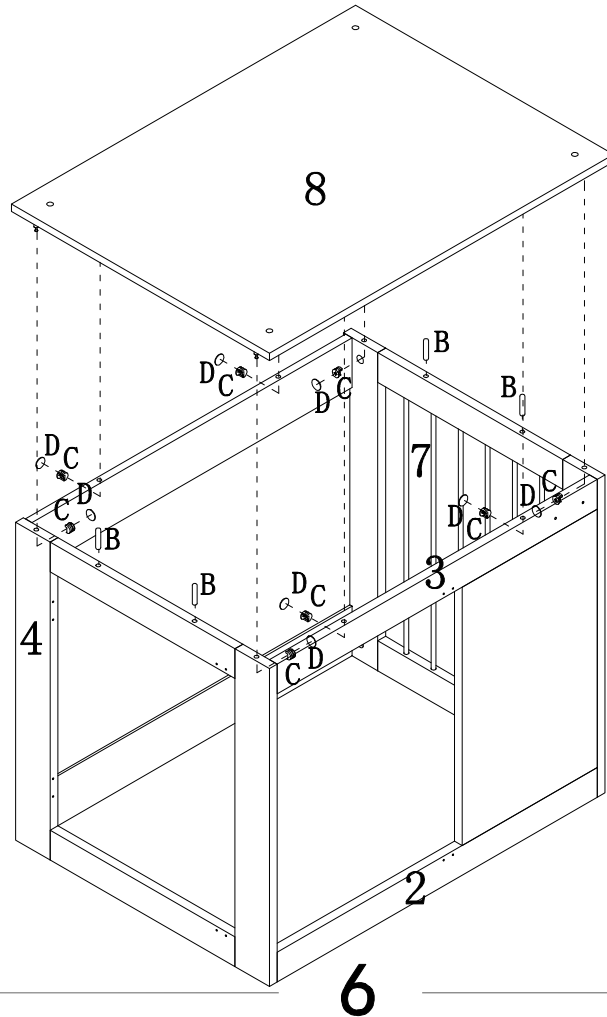
step 5



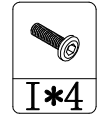
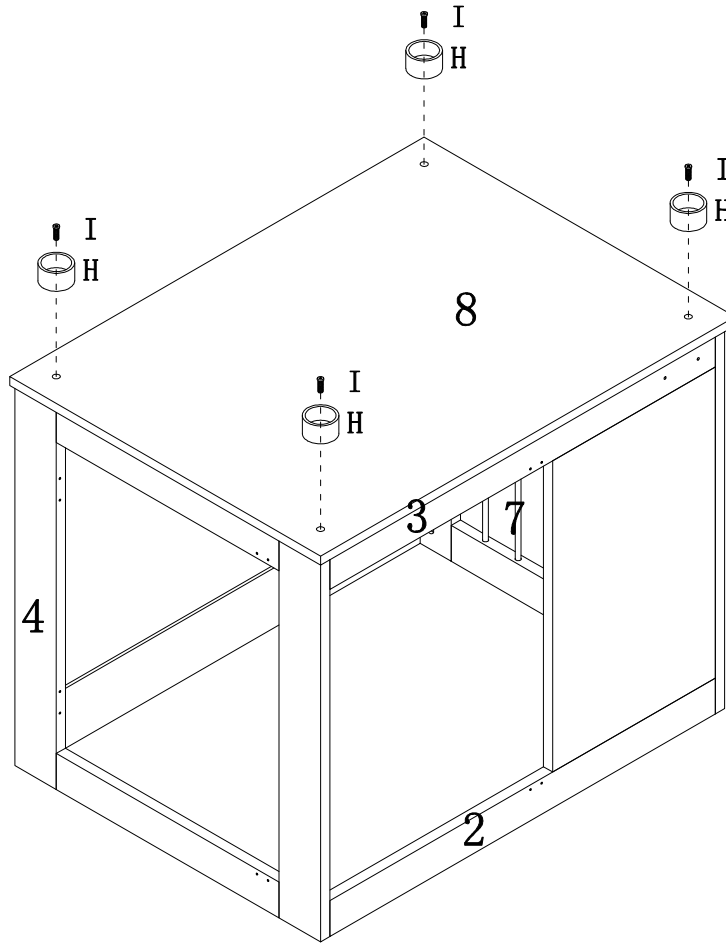
step 6



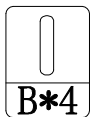
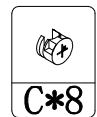
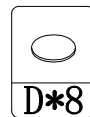
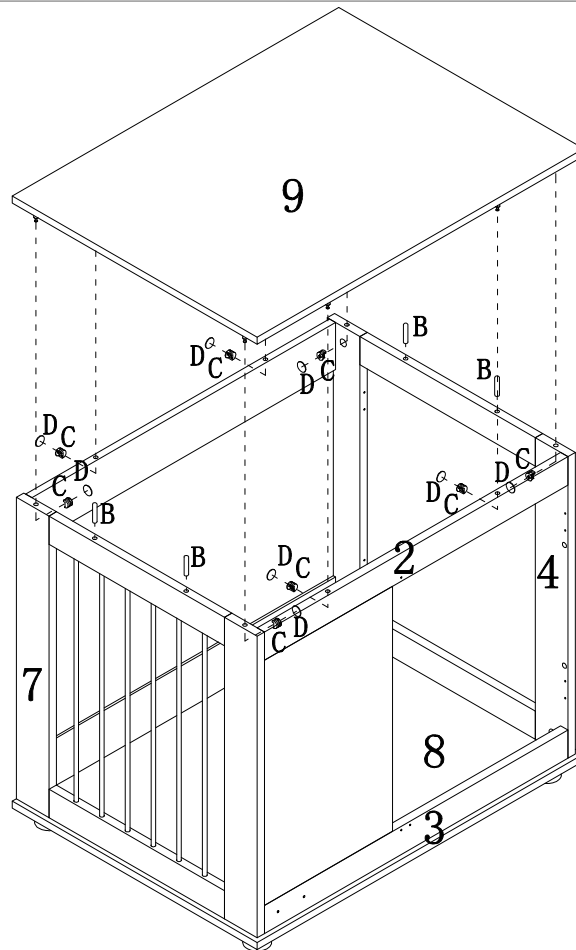
step 7



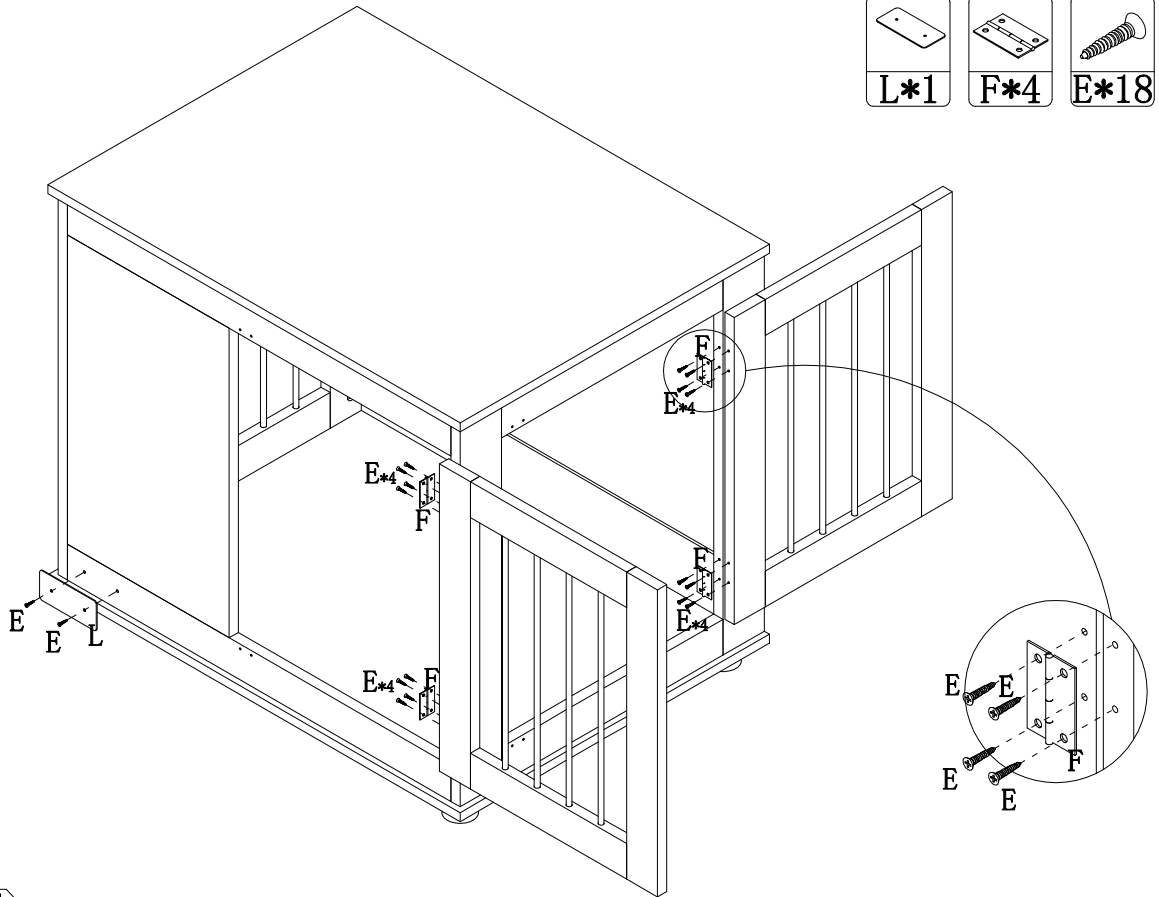
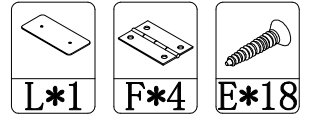
step 8



step 9



step 10



step 11

