




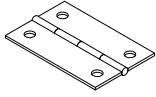
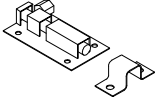

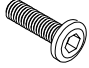
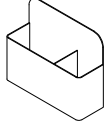

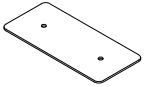
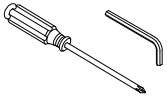


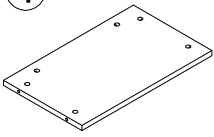
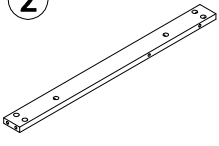
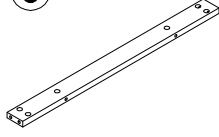
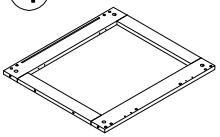
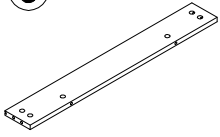
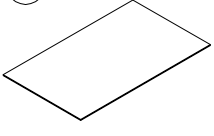
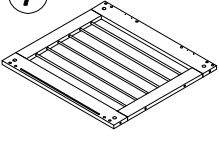
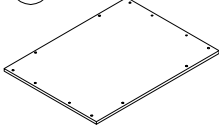
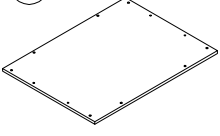
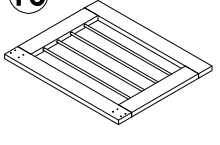
## Left-Side Door Installation

---

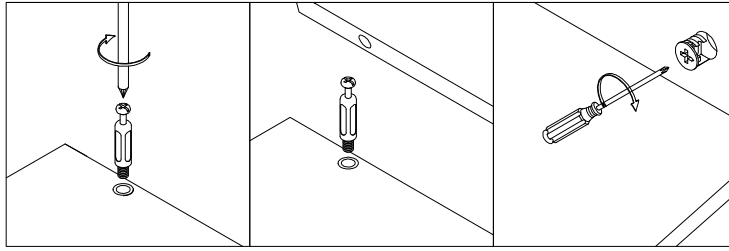
## Hardware List

<b>A</b>  38PCS (M6*40)	<b>B</b>  8PCS (M8*40)	<b>C</b>  38PCS (ø12*15)	<b>D</b>  38PCS	<b>E</b>  42PCS (M4*16)
<b>F</b>  4PCS	<b>G</b>  4PCS	<b>H</b>  4PCS	<b>I</b>  4PCS (M6*16)	<b>J</b>  1PC
<b>K</b>  1PC	<b>L</b>  1PC	 1PC		

## Panel List

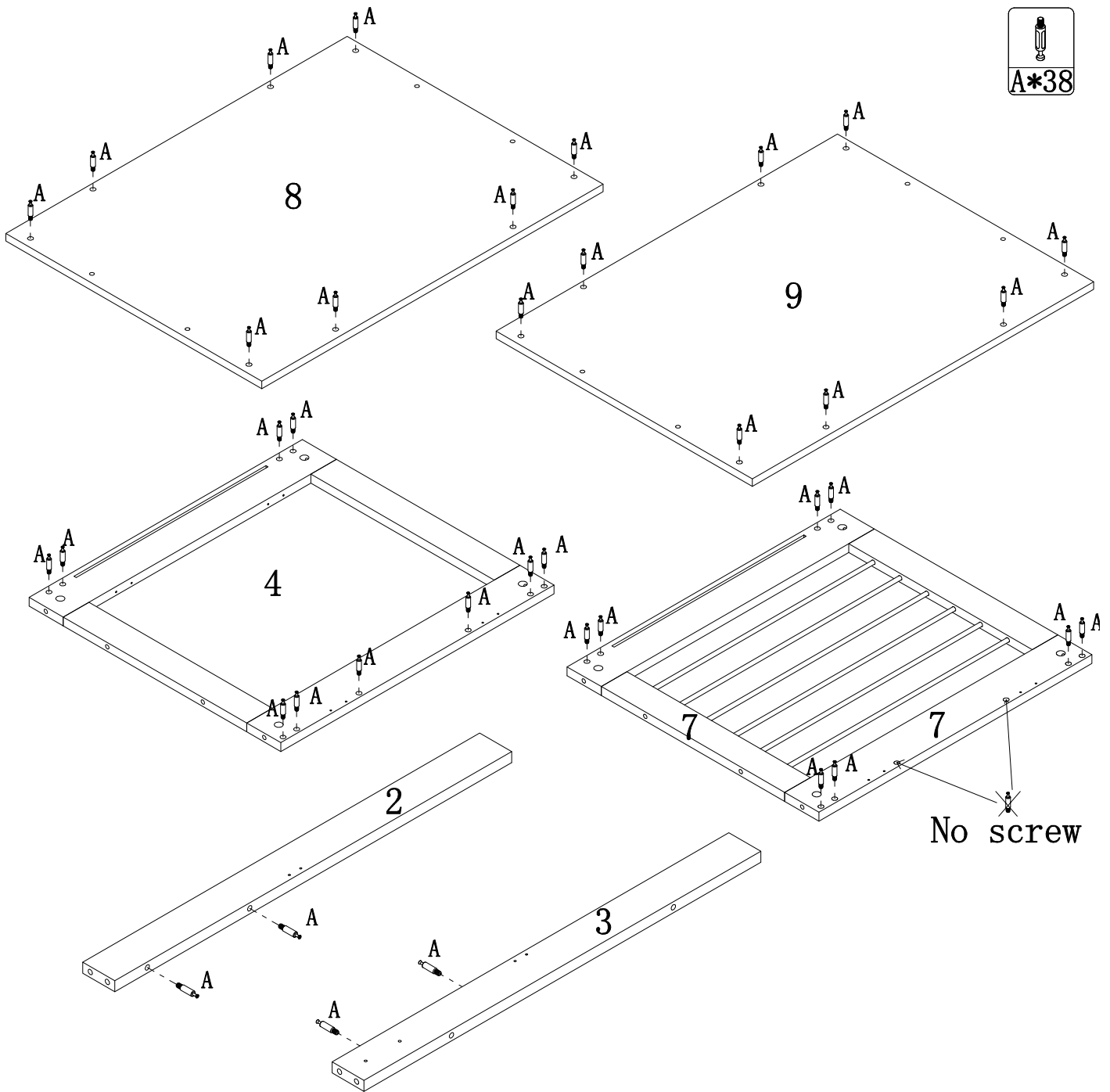
<b>1</b>  1PC	<b>2</b>  1PC	<b>3</b>  1PC	<b>4</b>  1PC	<b>5</b>  2PCS
<b>6</b>  1PC	<b>7</b>  1PC	<b>8</b>  1PC	<b>9</b>  1PC	<b>10</b>  2PCS

## Assembling the unit with camlocks and wood dowels

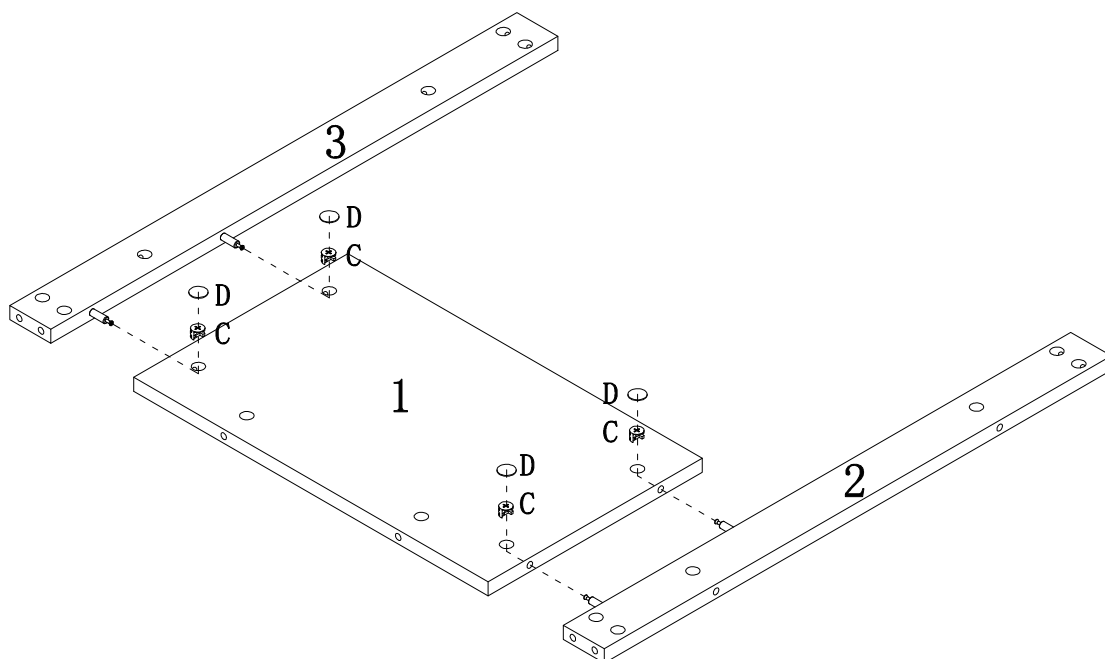
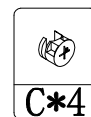
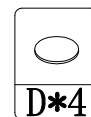


## Assembly instructions

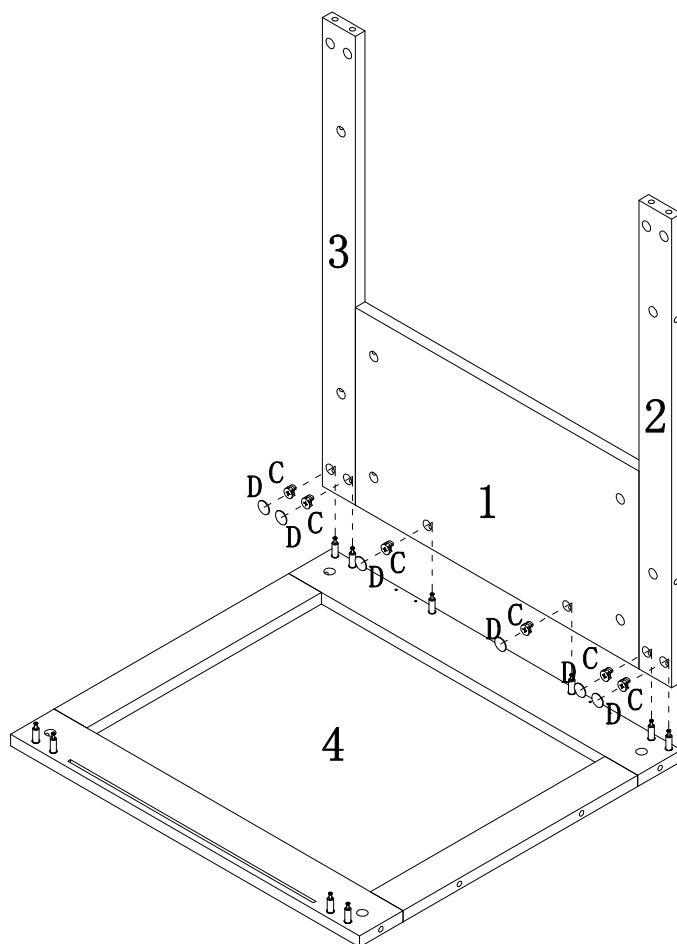
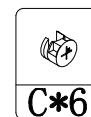
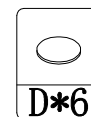
step 1



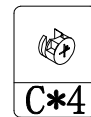
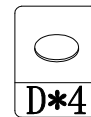
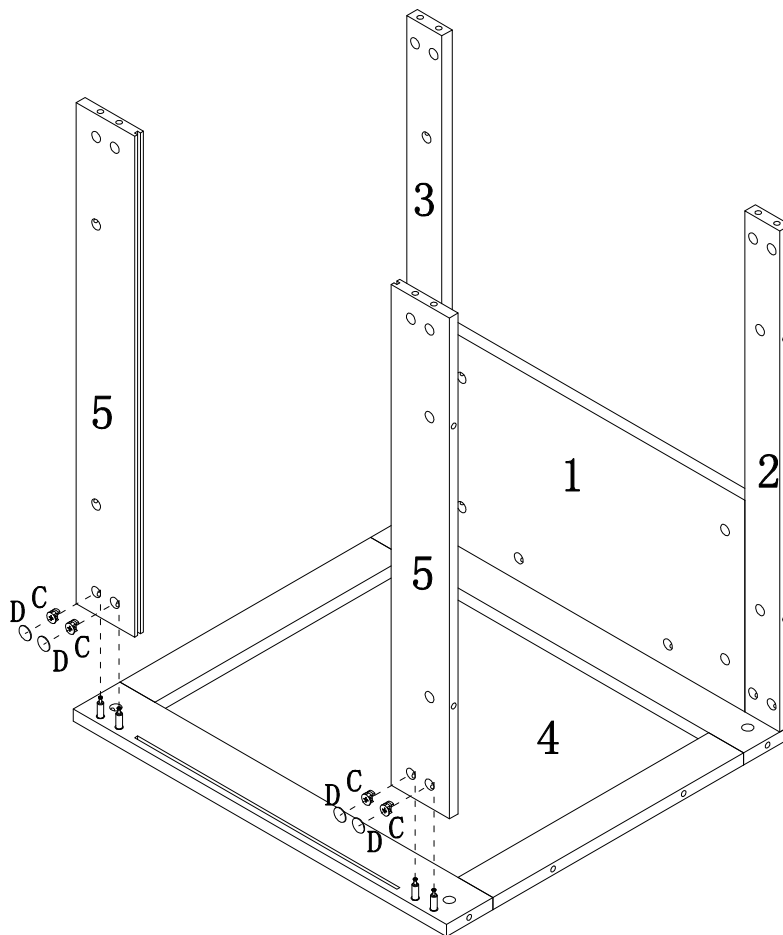
step 2



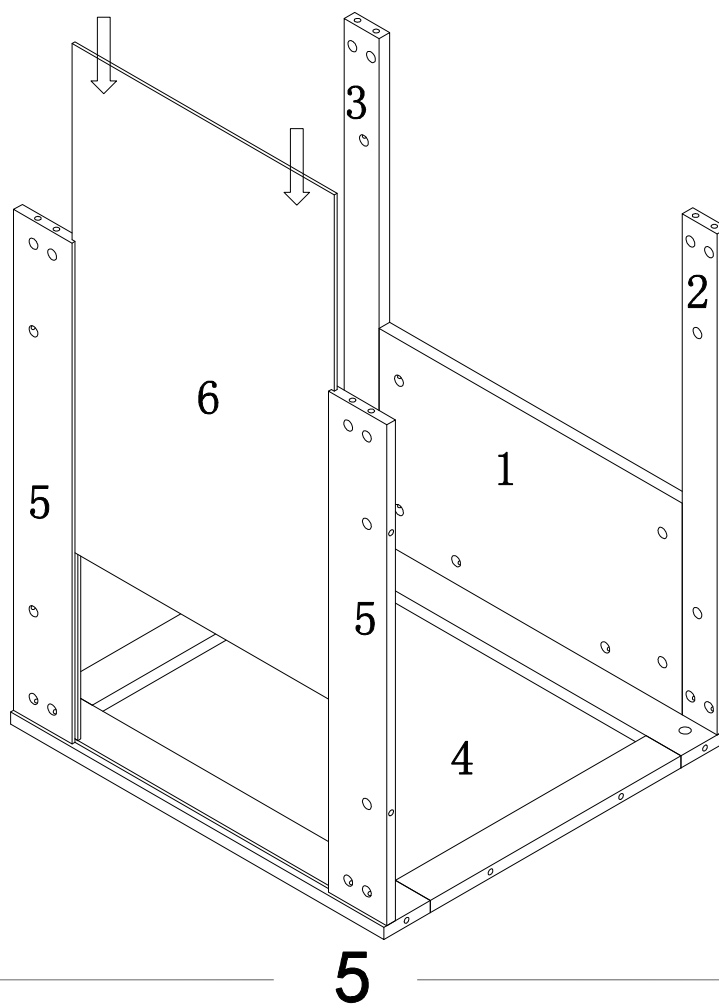
step 3



step 4

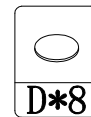
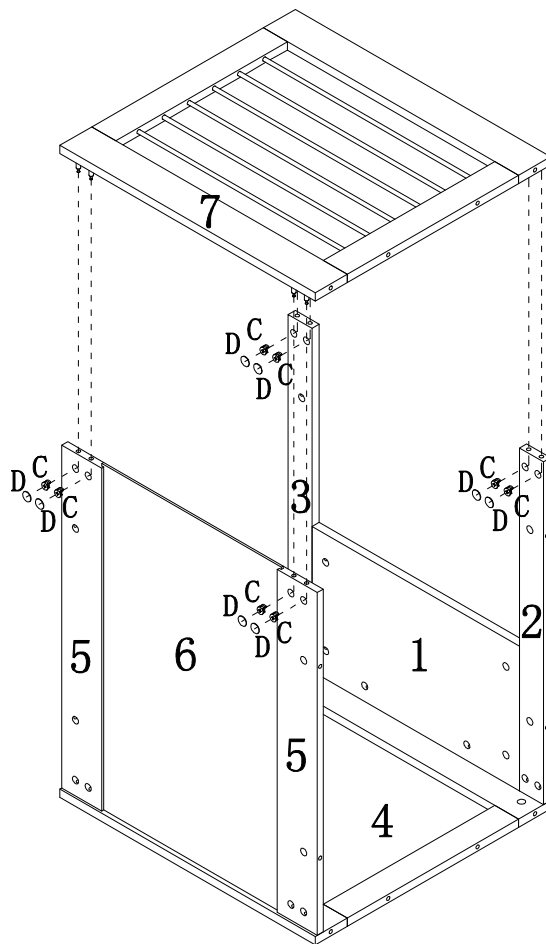


step 5



5

step 6

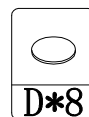
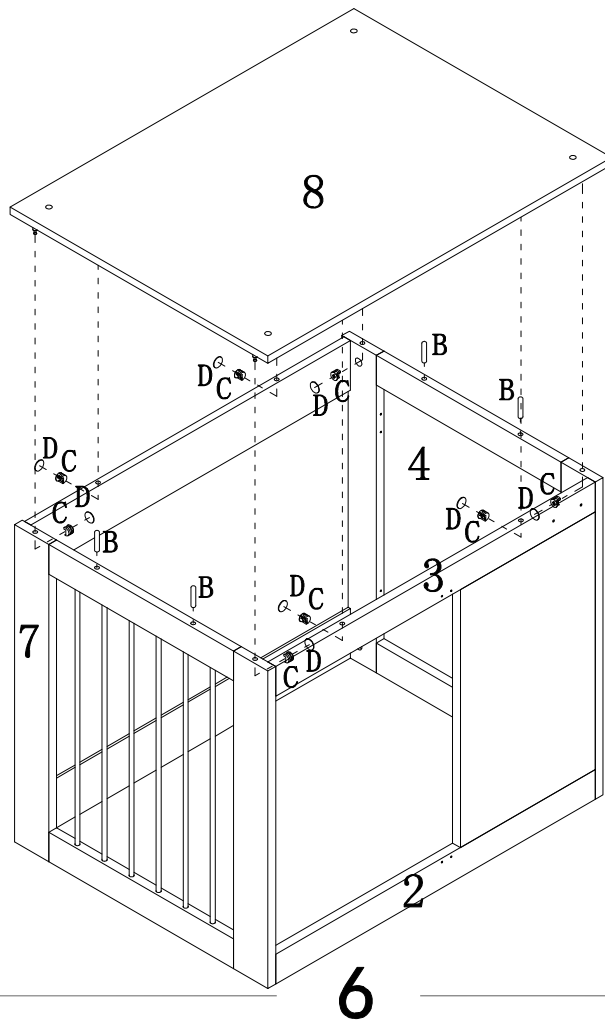


D\*8



C\*8

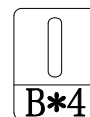
step 7



D\*8

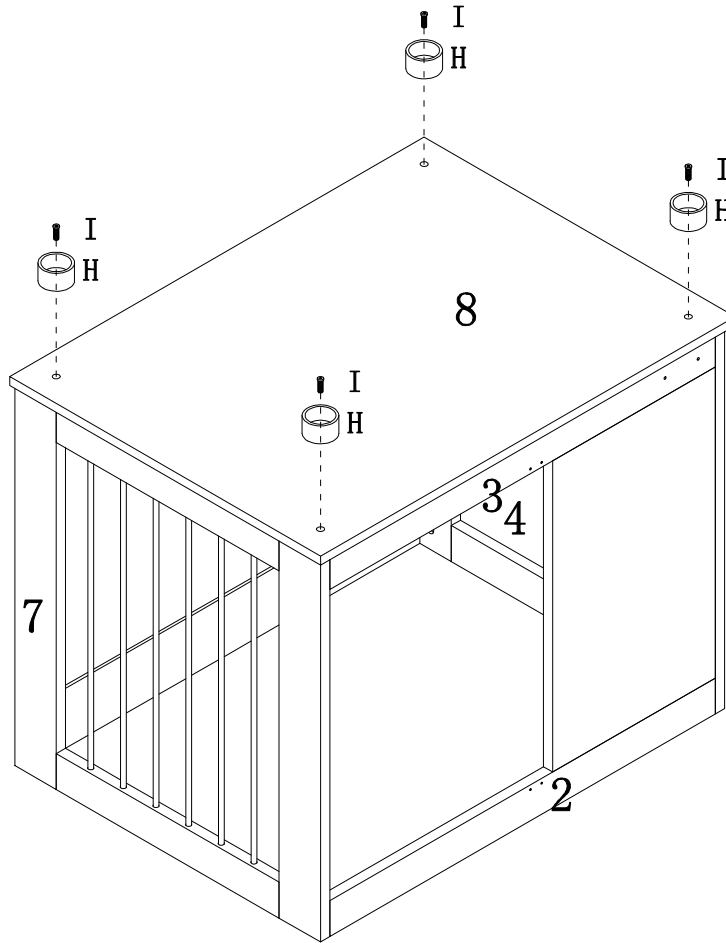


C\*8

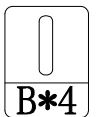
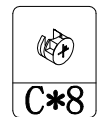
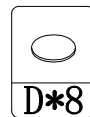
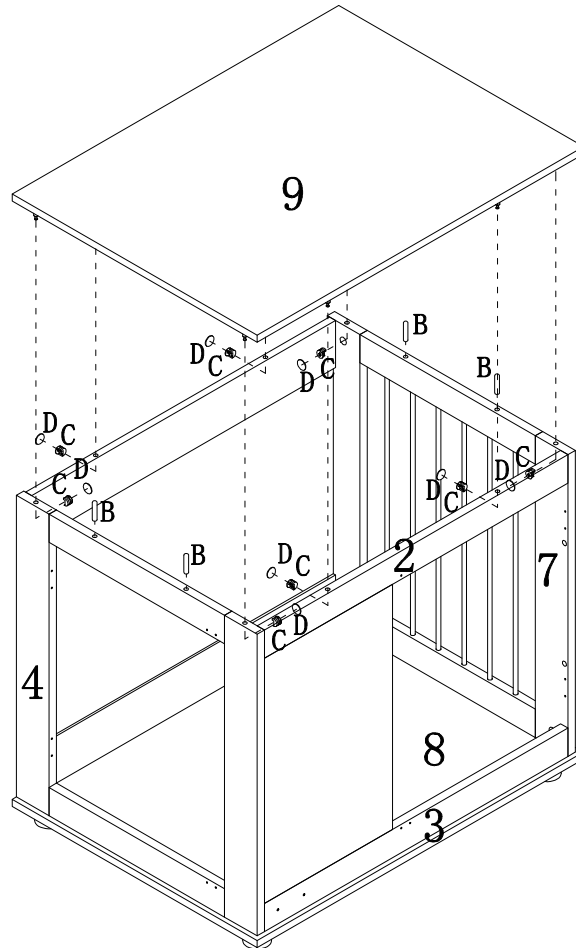


B\*4

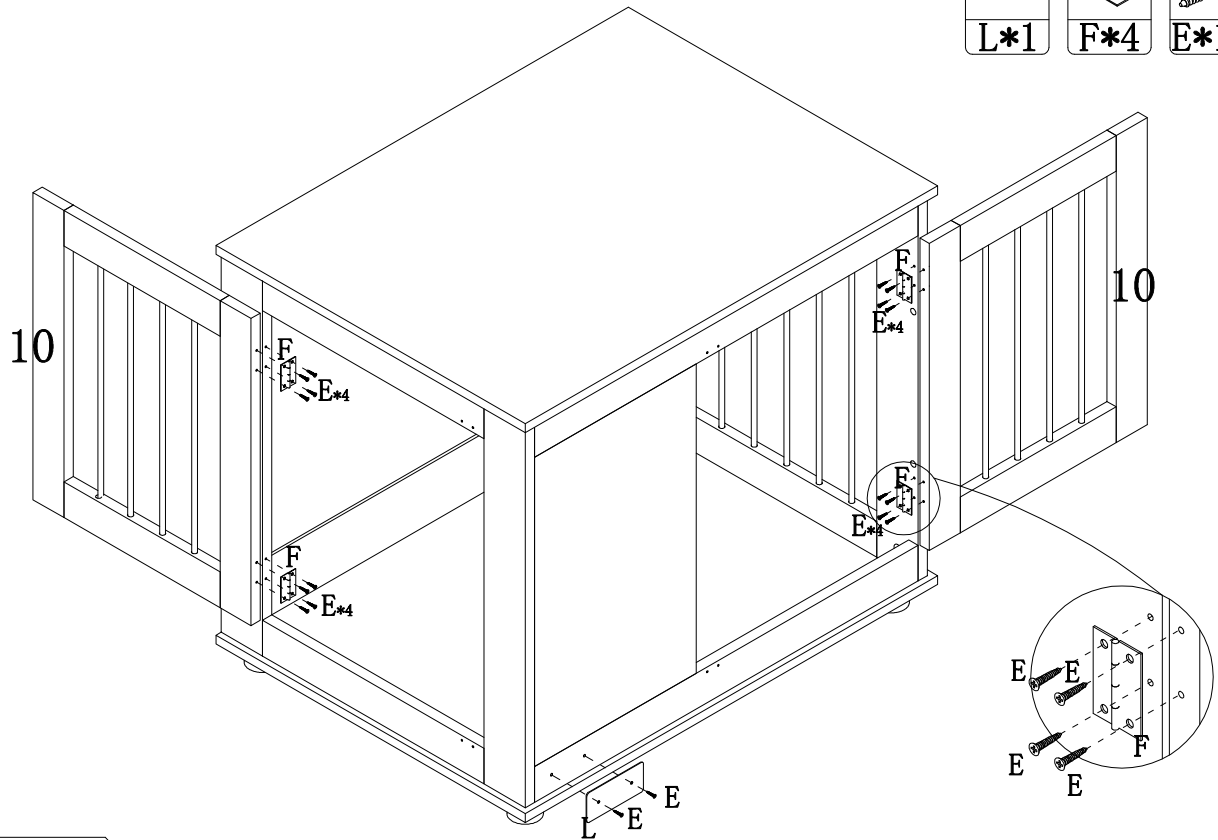
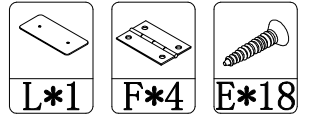
step 8



step 9



step 10



step 11

