




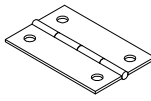
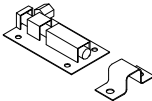

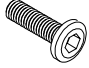
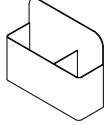

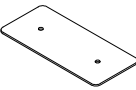

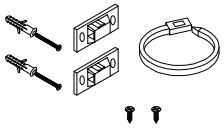
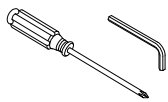
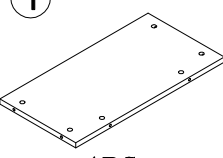
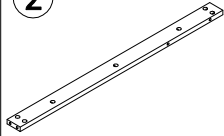
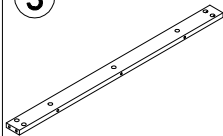
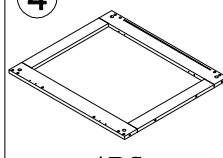
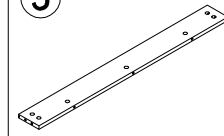
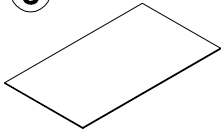
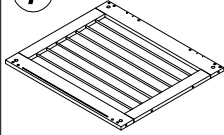
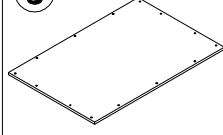
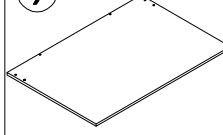
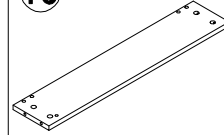
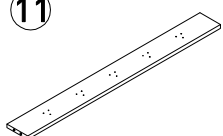
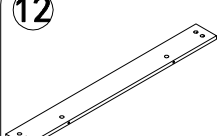
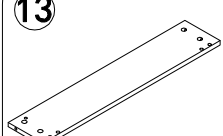
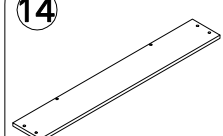
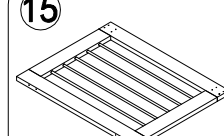
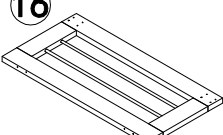
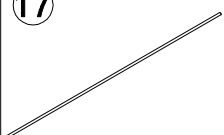


Left-Side Door Installation

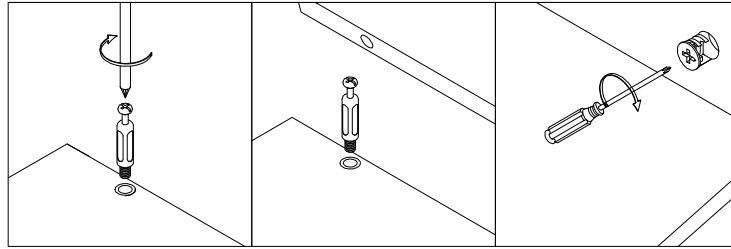
Hardware List

A  62PCS (M6*40)	B  8PCS (M8*40)	C  62PCS (ø12*15)	D  62PCS	E  78PCS (M4*16)
F  6PCS	G  6PCS	H  5PCS	I  5PCS (M6*16)	J  1PC
K  1PC	L  1PC	M  5PCS	N  1PC	 1PC

Panel List

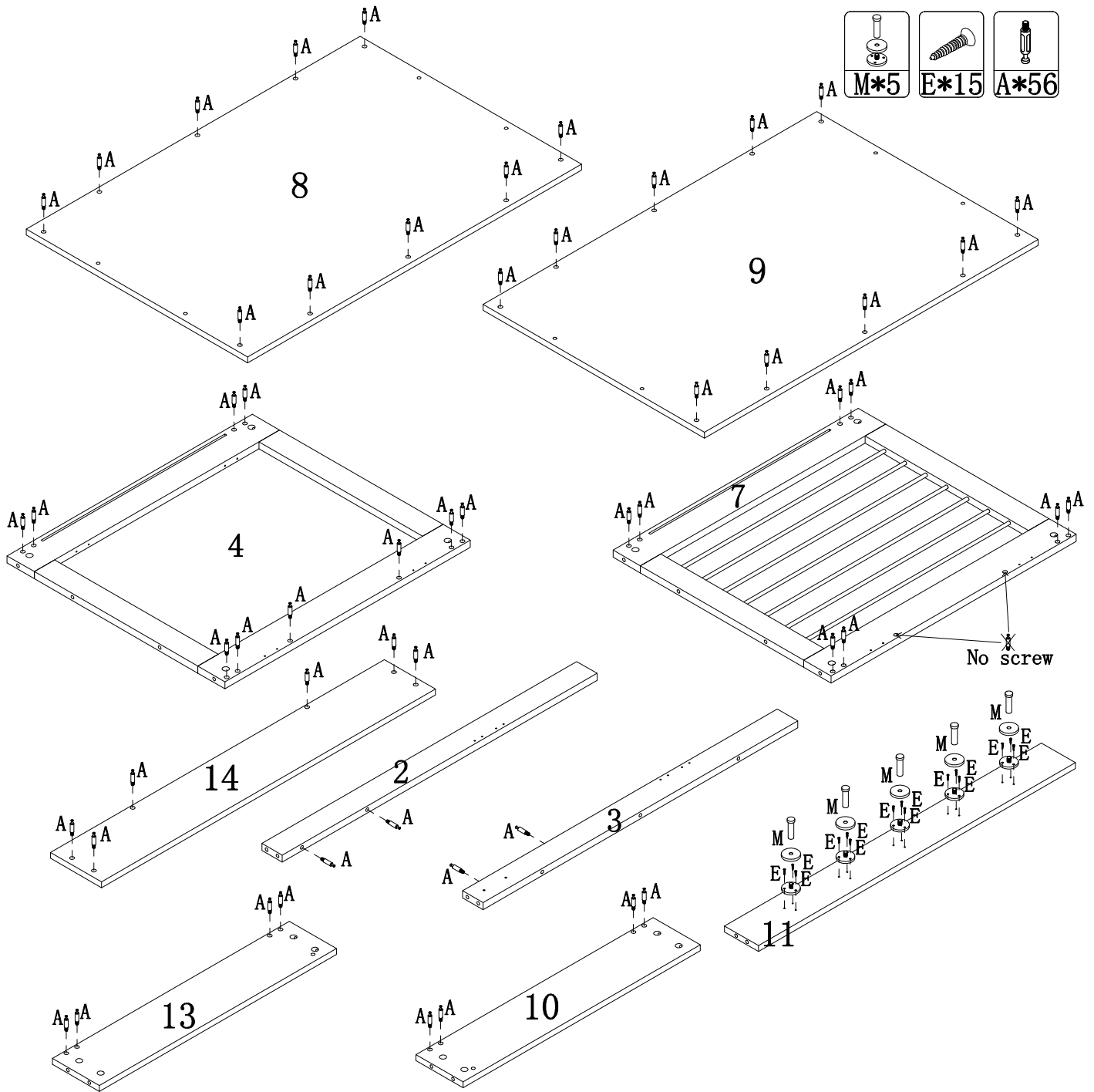
1  1PC	2  1PC	3  1PC	4  1PC	5  2PCS
6  1PC	7  1PC	8  1PC	9  1PC	10  1PC
11  1PC	12  1PC	13  1PC	14  1PC	15  1PC
16  2PCS	17  1PC			

Assembling the unit with camlocks and wood dowels

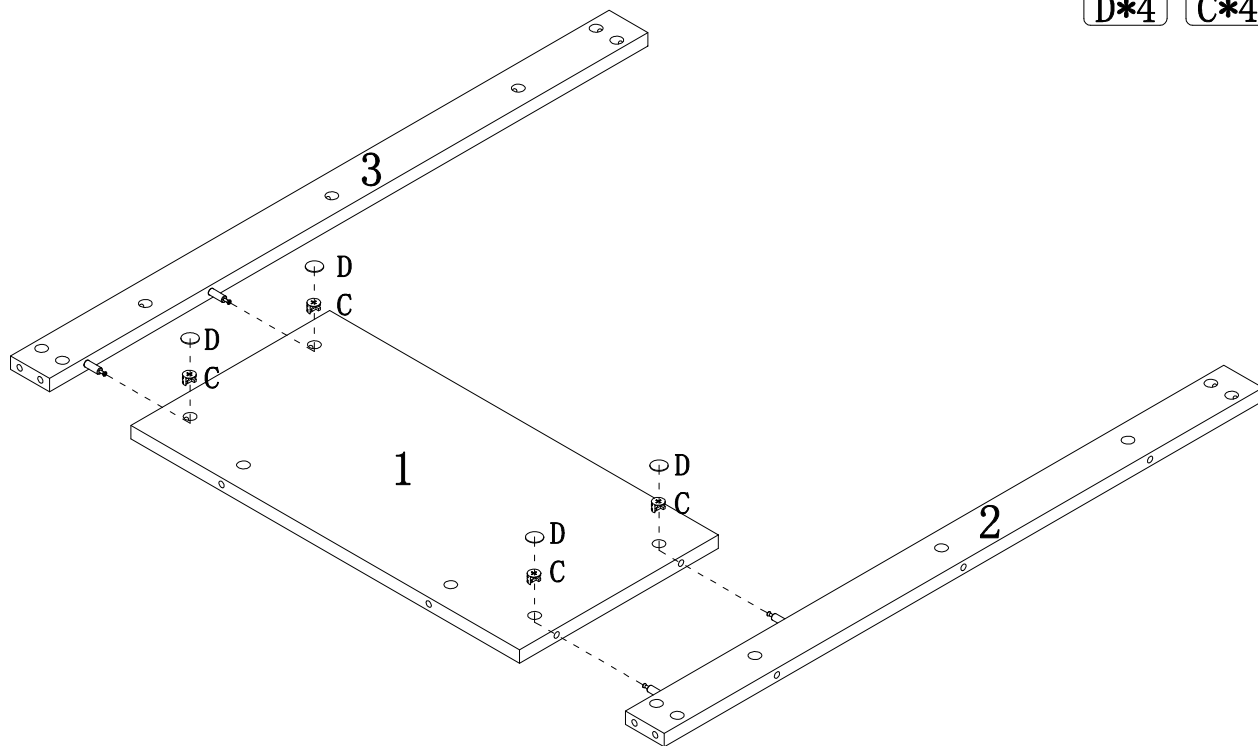
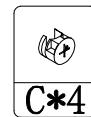
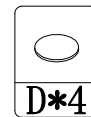


Assembly instructions

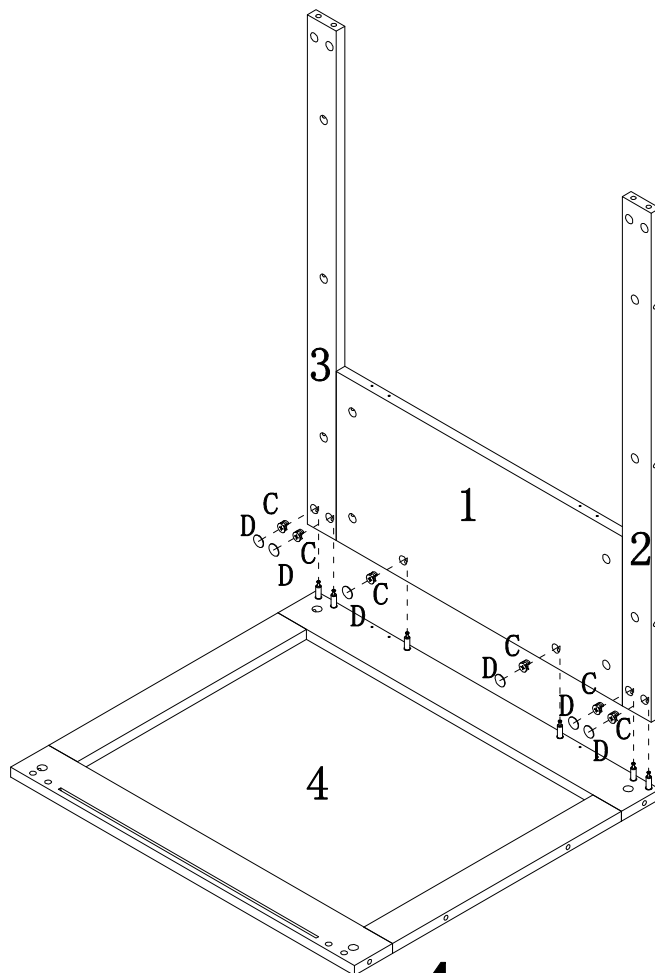
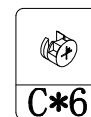
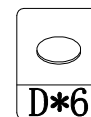
step 1



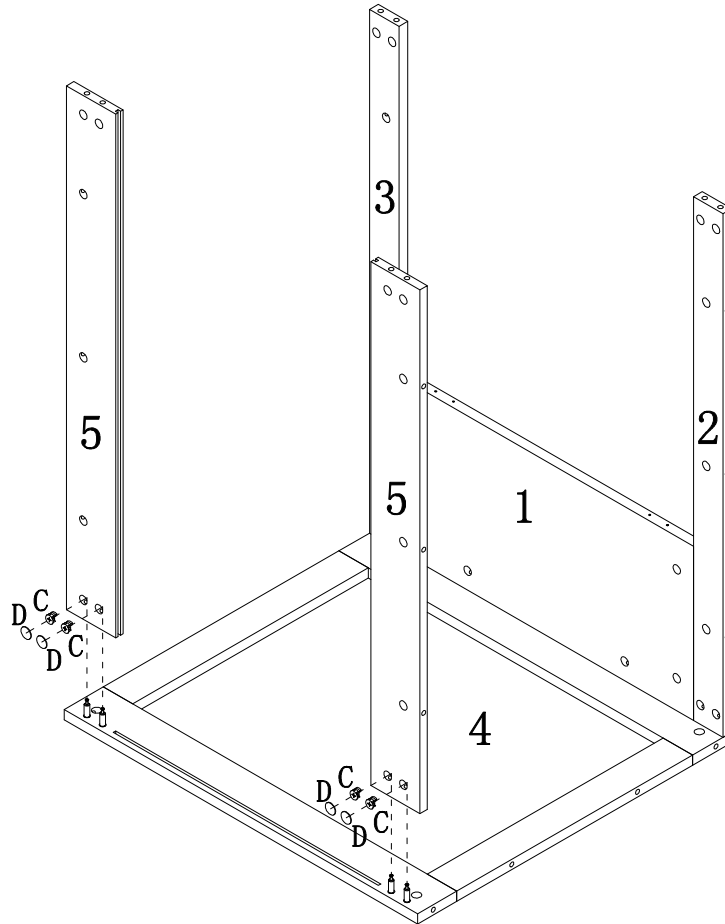
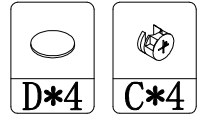
step 2



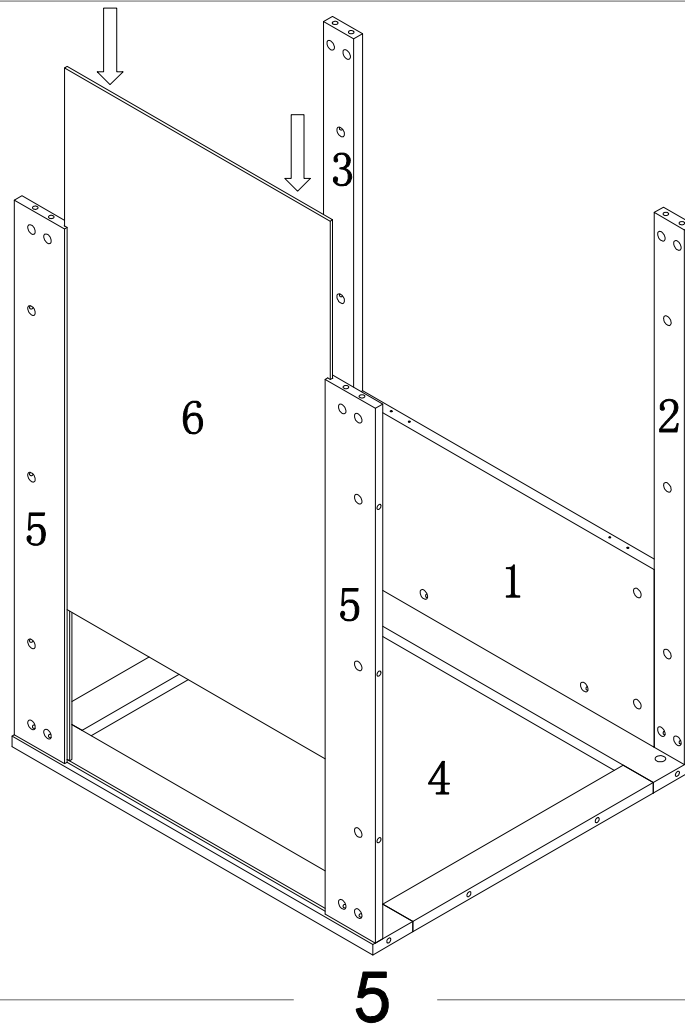
step 3



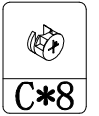
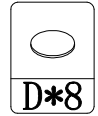
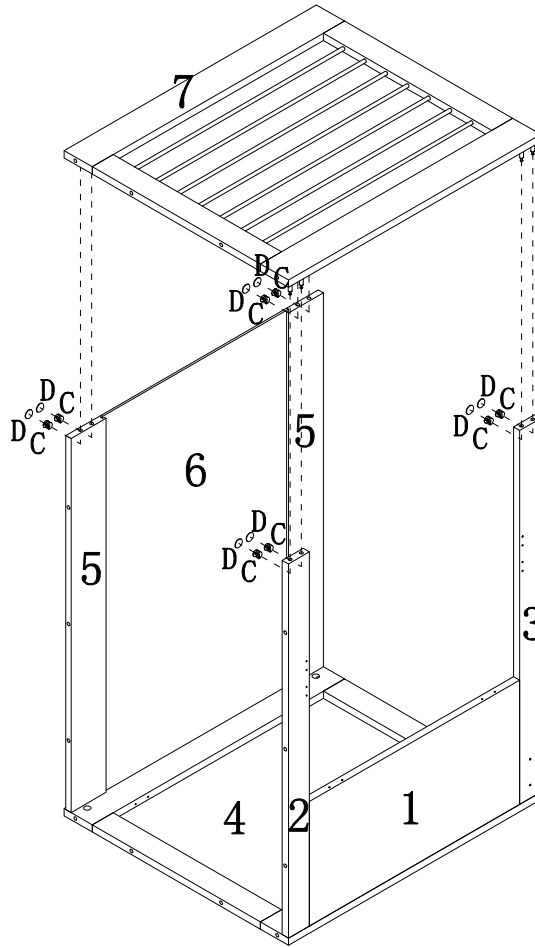
step 4



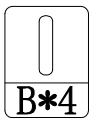
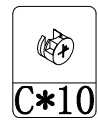
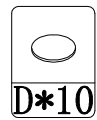
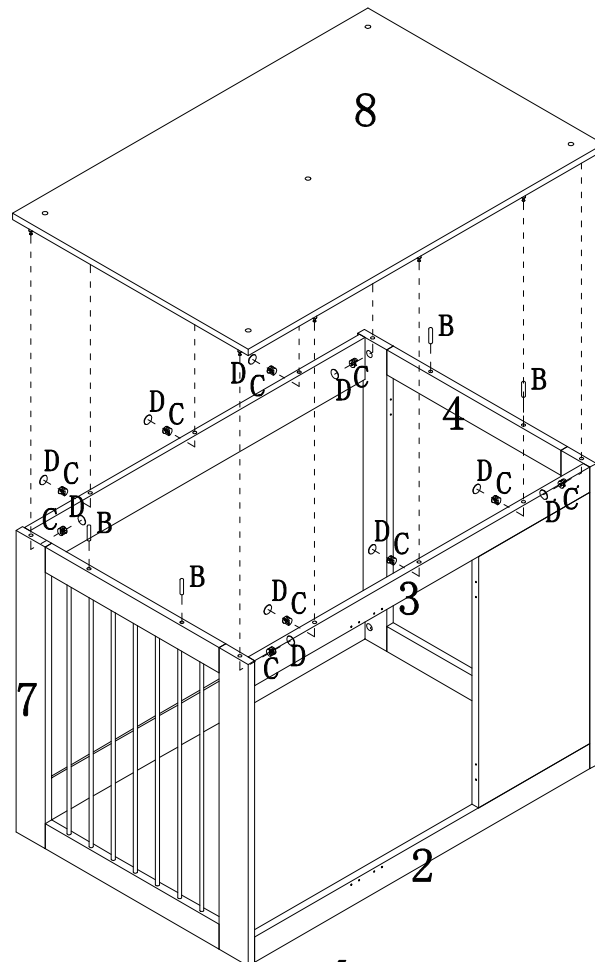
step 5



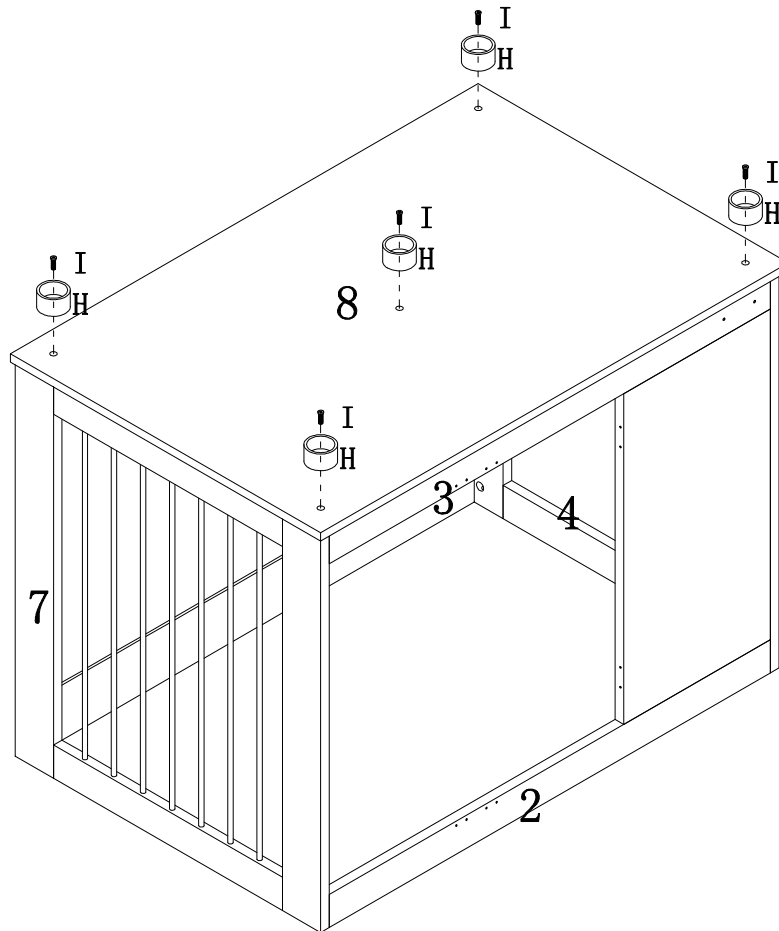
step 6



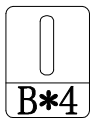
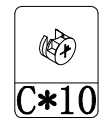
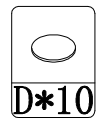
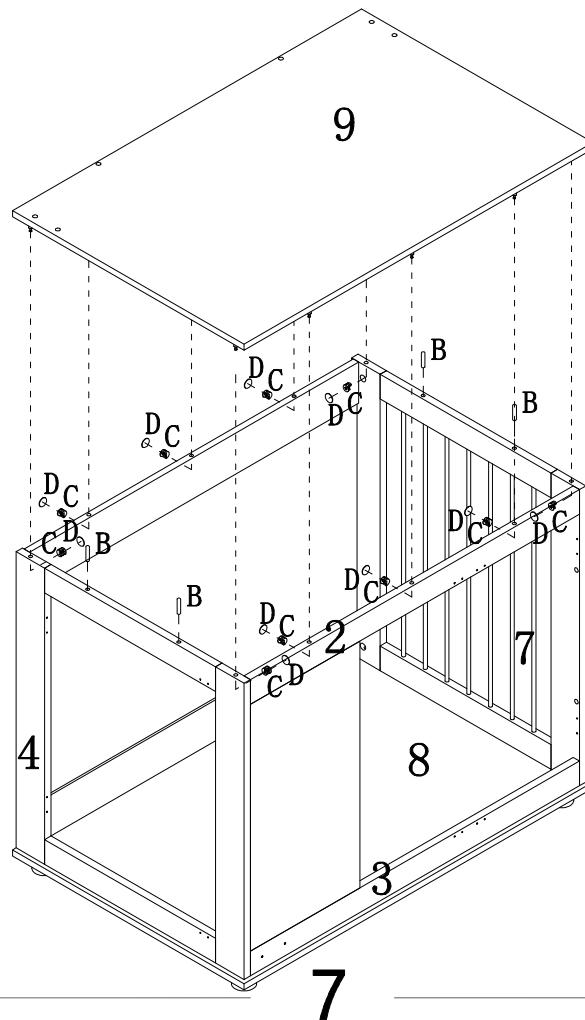
step 7



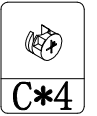
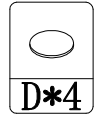
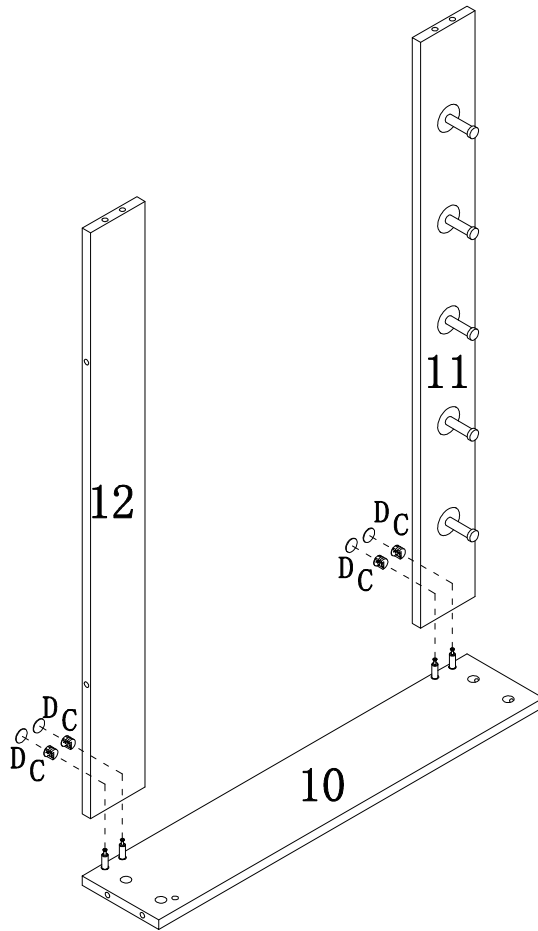
step 8



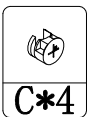
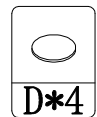
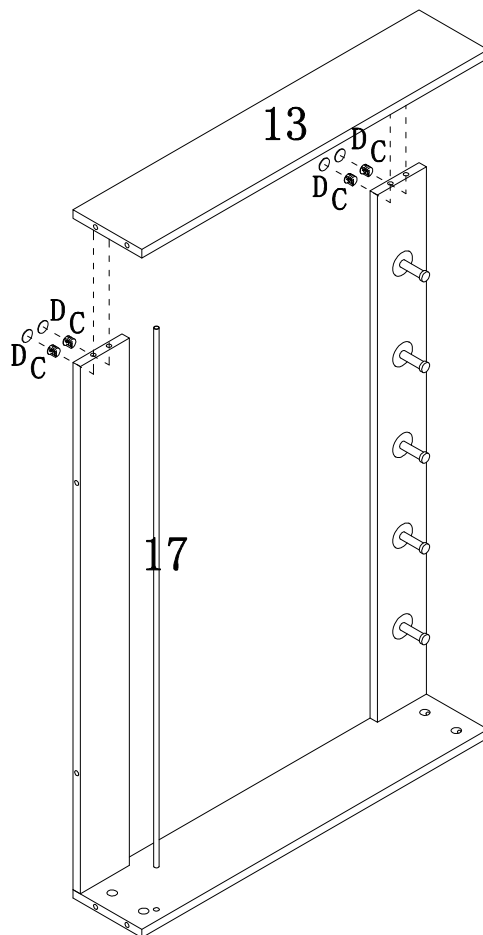
step 9



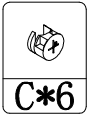
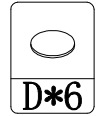
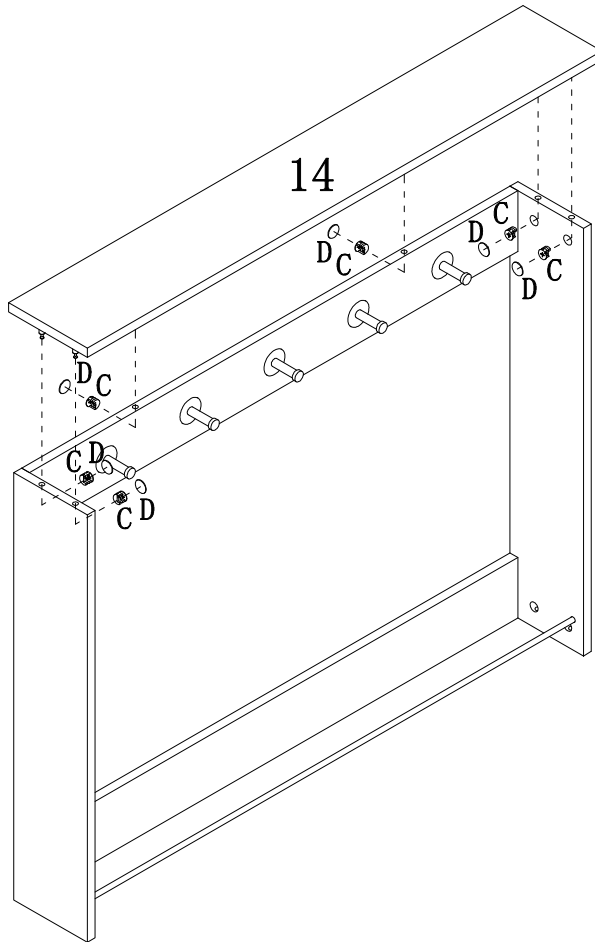
step 10



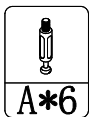
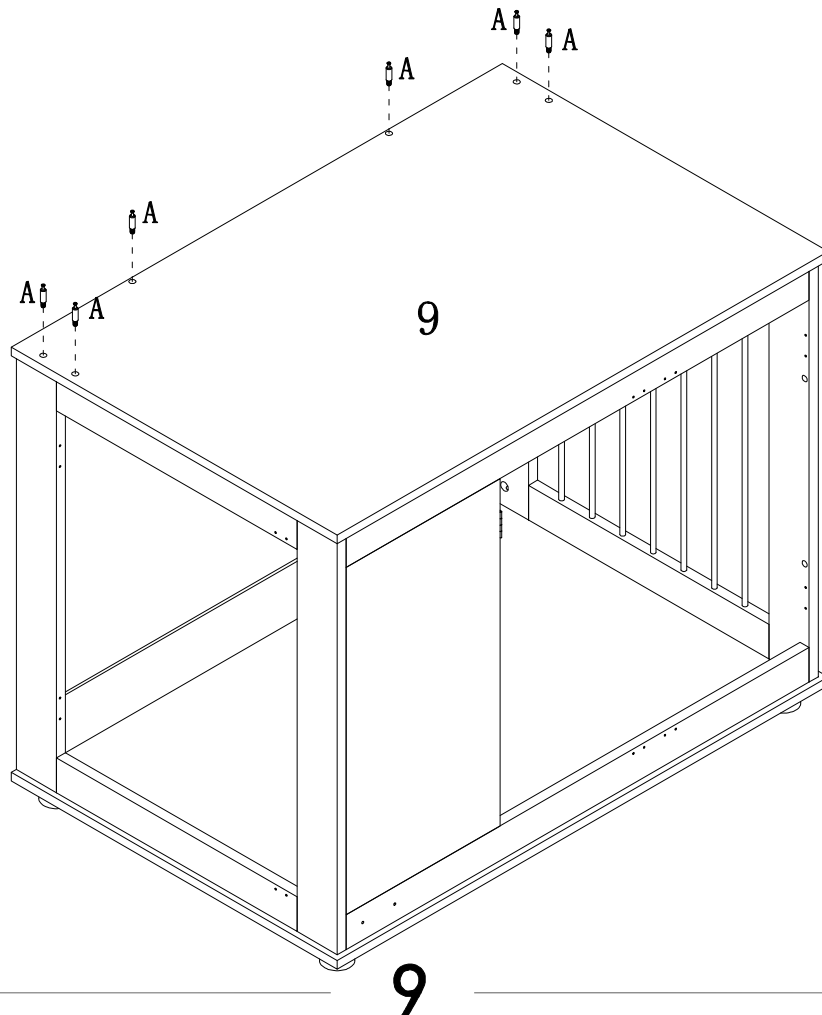
step 11



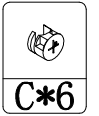
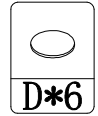
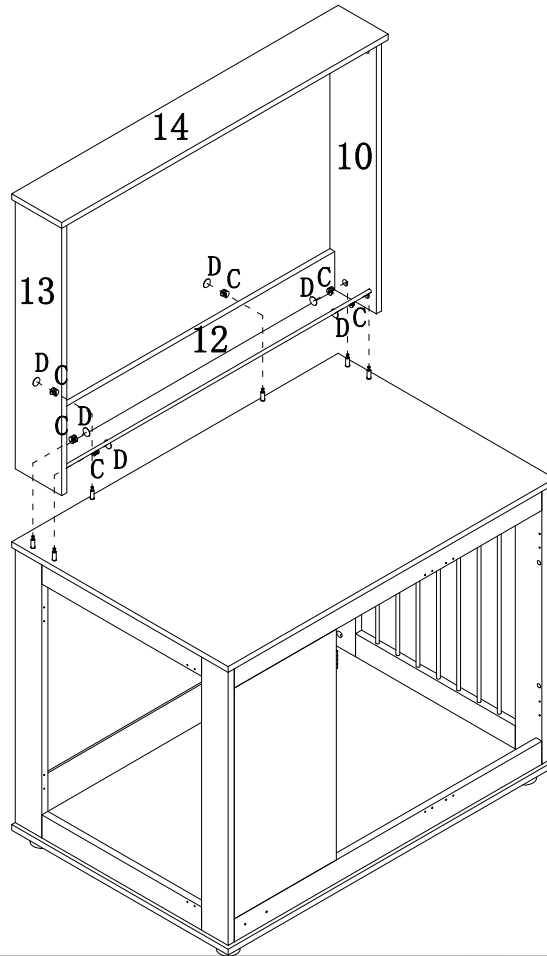
step 12



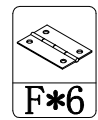
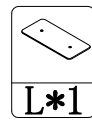
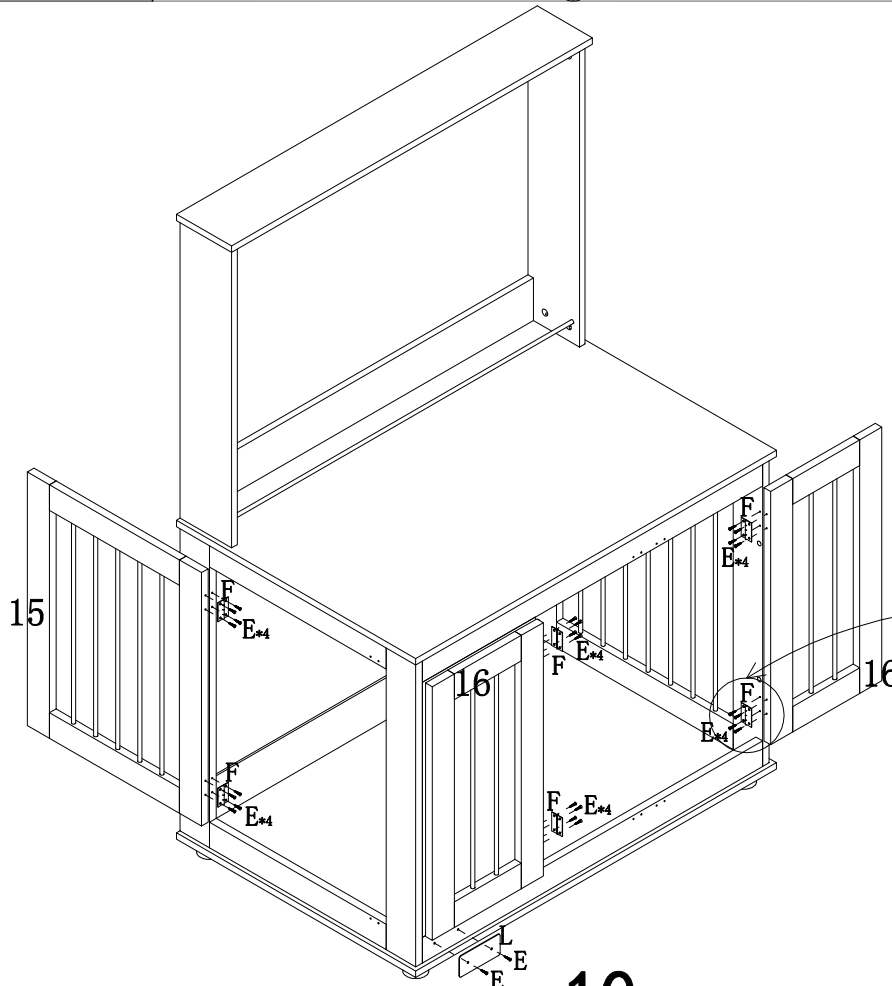
step 13



step 14

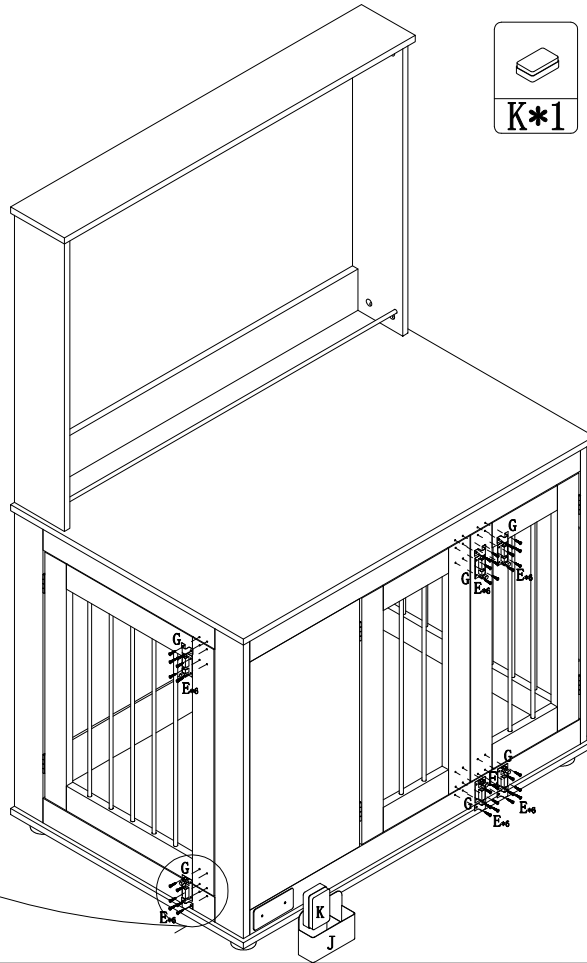
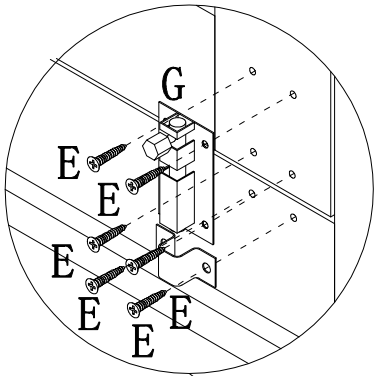
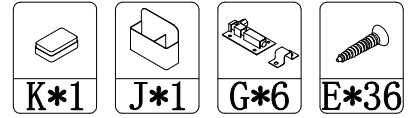


step 15

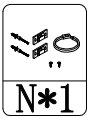


10

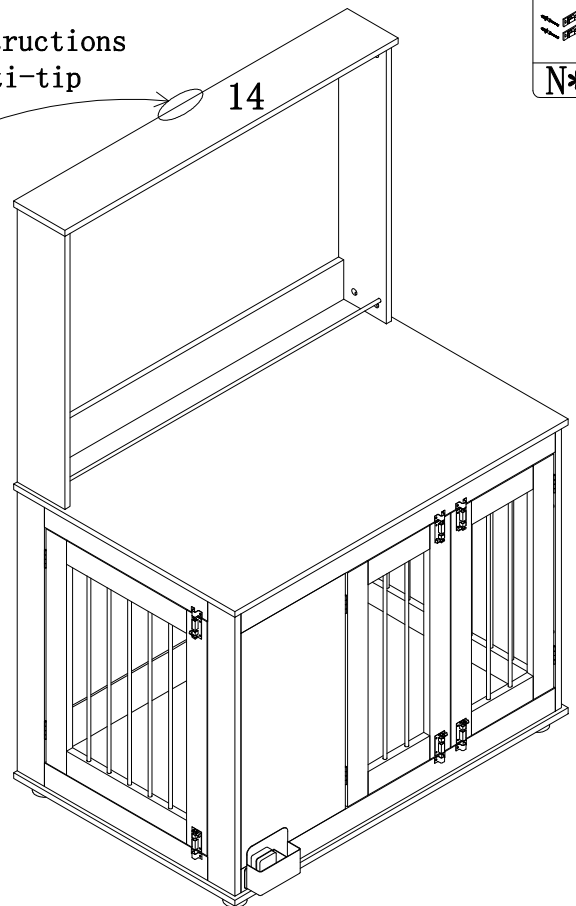
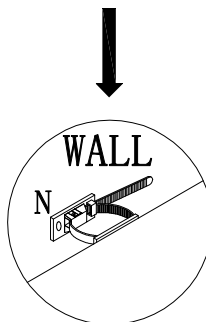
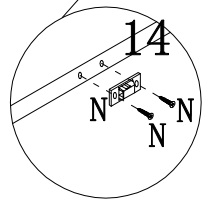
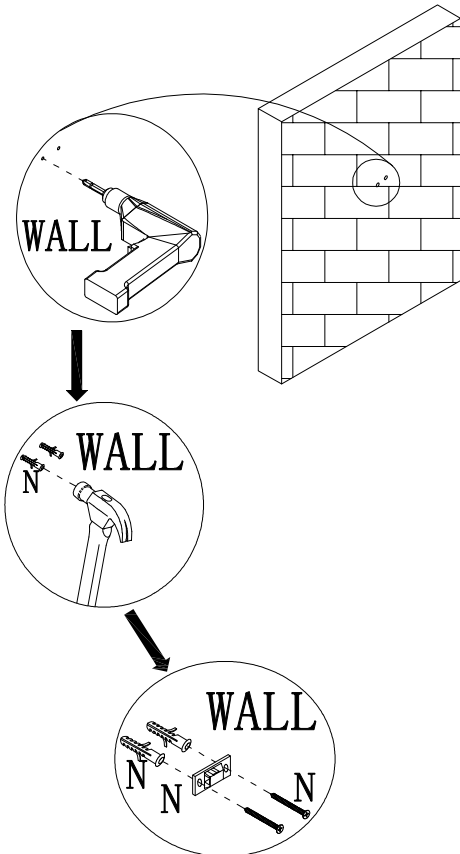
step 16



step 17



Installation instructions
for furniture anti-tip
device



Warning: Tip-Over Hazard!

1. Dangerous tipping may occur, potentially causing death or serious injuries.
2. Prevent tip-over: Use tip-over restraint device provided. Secure to wall where possible.
3. Instructions: Follow the detailed installation instructions.
4. In Emergency: Here's what you should do in the event that the furniture tips over.
Stay Calm: Try to keep calm and assess the situation.
Seek Help: If the situation is serious, immediately dial the emergency services number for medical assistance.
5. If you have any questions, please contact us immediately.

