

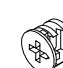








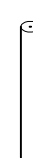


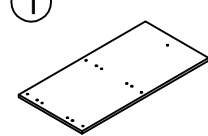
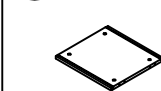


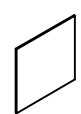
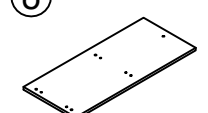


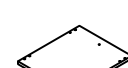



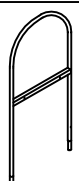
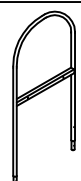
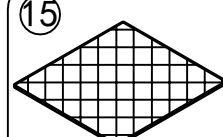
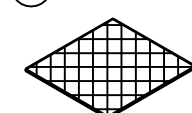
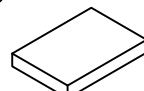


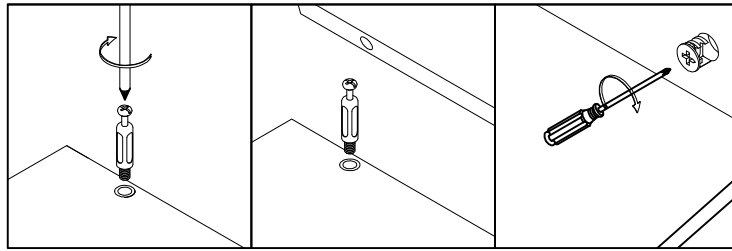
Hardware List

(A)  16PCS (M6*40)	(B)  16PCS (M8*40)	(C)  16PCS (ϕ 12*15)	(D)  16PCS	(E)  4PCS
(F)  6PCS (M6*30)	(G)  4PCS (M6*10)	(H)  10PCS (M5*50)	(I)  3PCS (M8*50)	(J)  2PCS (M8*50)
(K)  1PC	(L)  3PCS	(M)  3PCS	 1PC	

Panel List

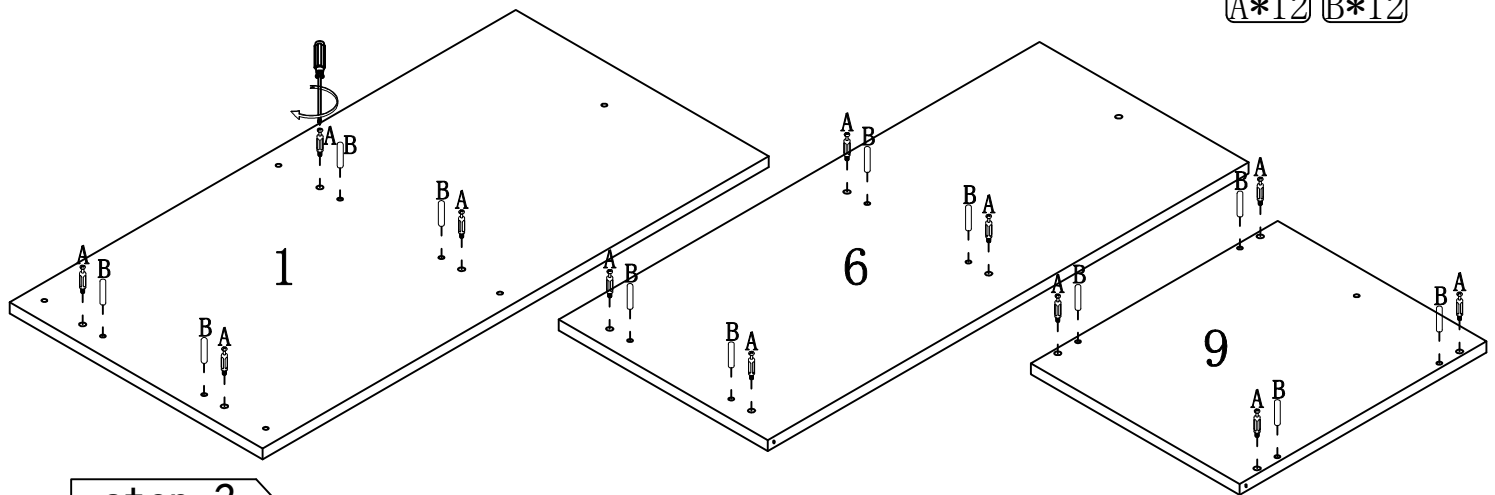
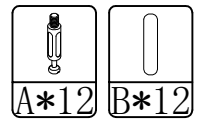
(1)  1PC	(2)  1PC	(3)  1PC	(4)  1PC	(5)  1PC
(6)  1PC	(7)  1PC	(8)  1PC	(9)  1PC	(10)  1PC
(11)  1PC	(12)  4PCS	(13)  1PC	(14)  1PC	(15)  1PC
(16)  1PC	(17)  1PC			

Assembling the unit with camlocks and wood dowels

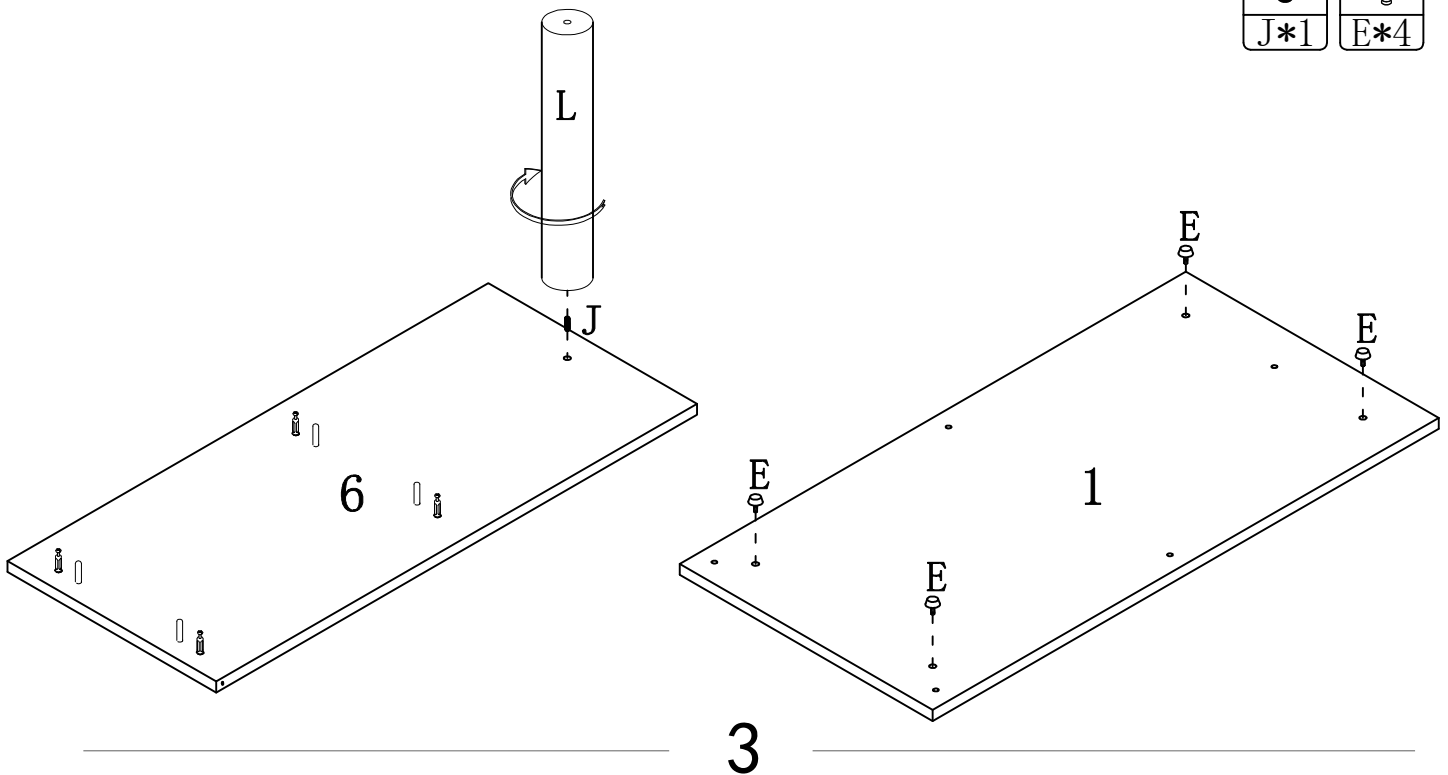
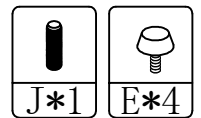


Assembly instructions

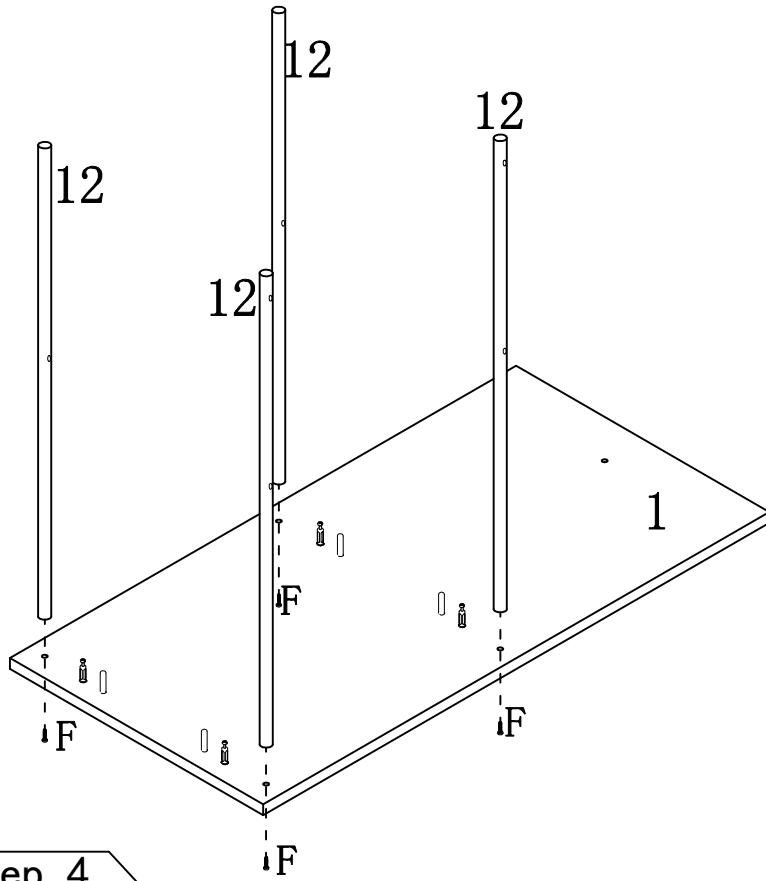
step 1





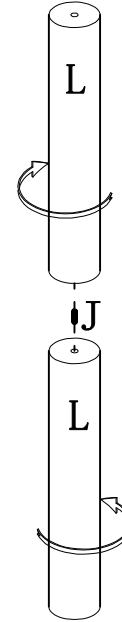
step 2



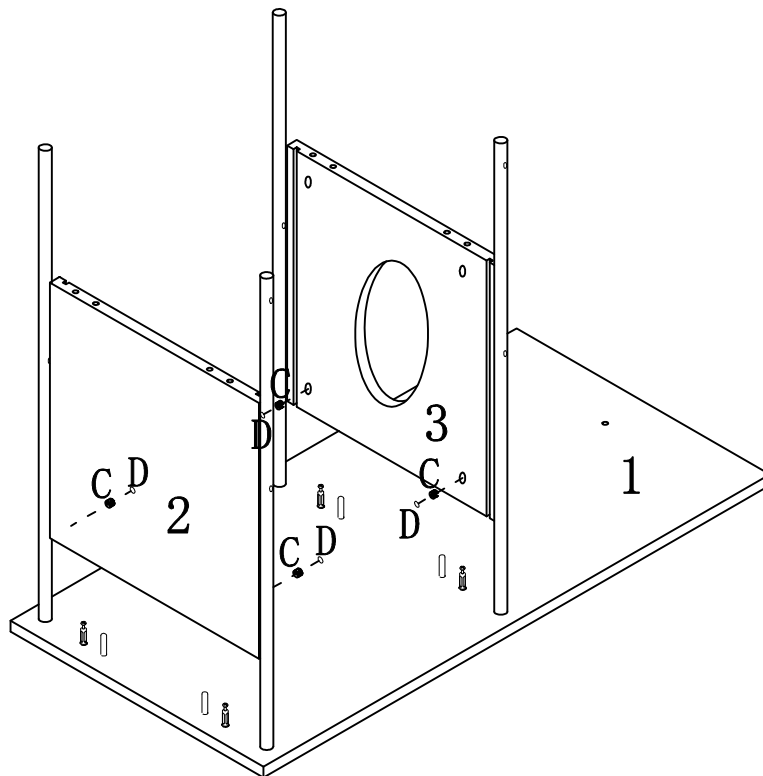
step 3





	
J*1	F*4

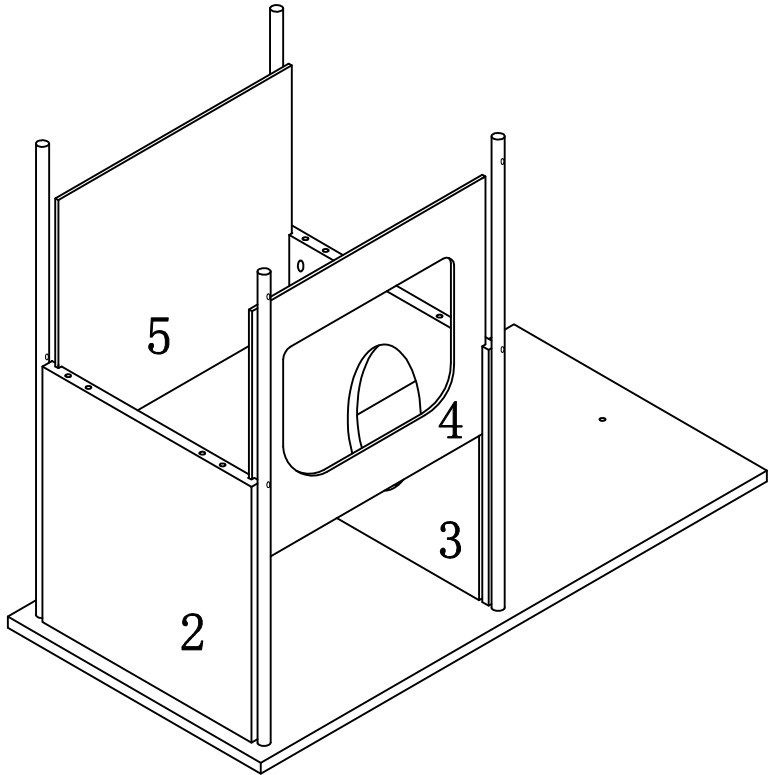


step 4






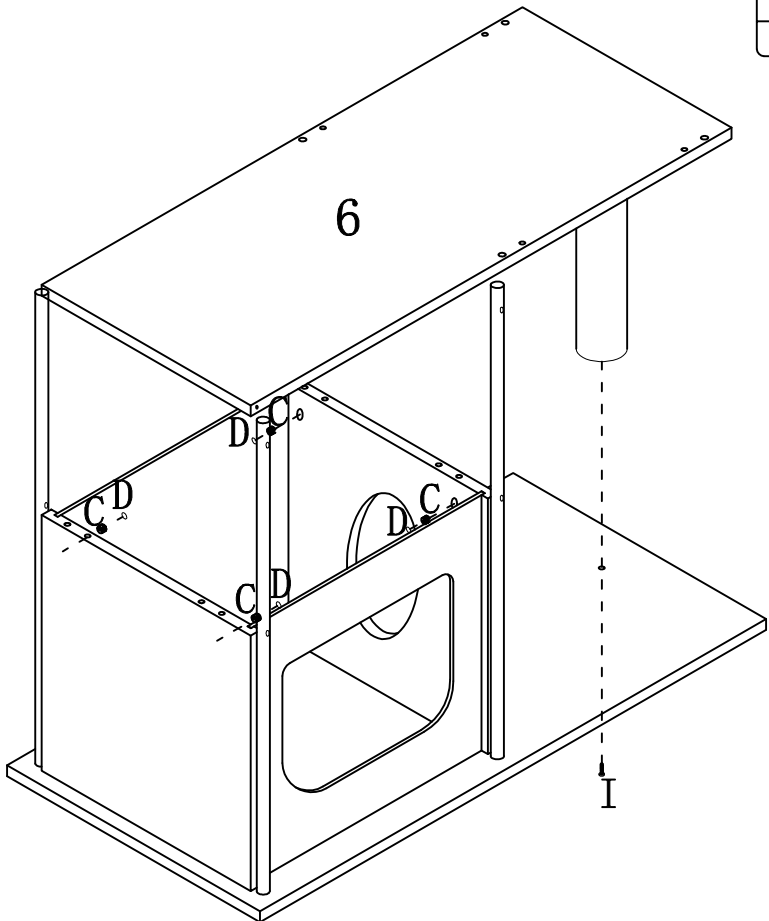
	
C*4	D*4

step 5

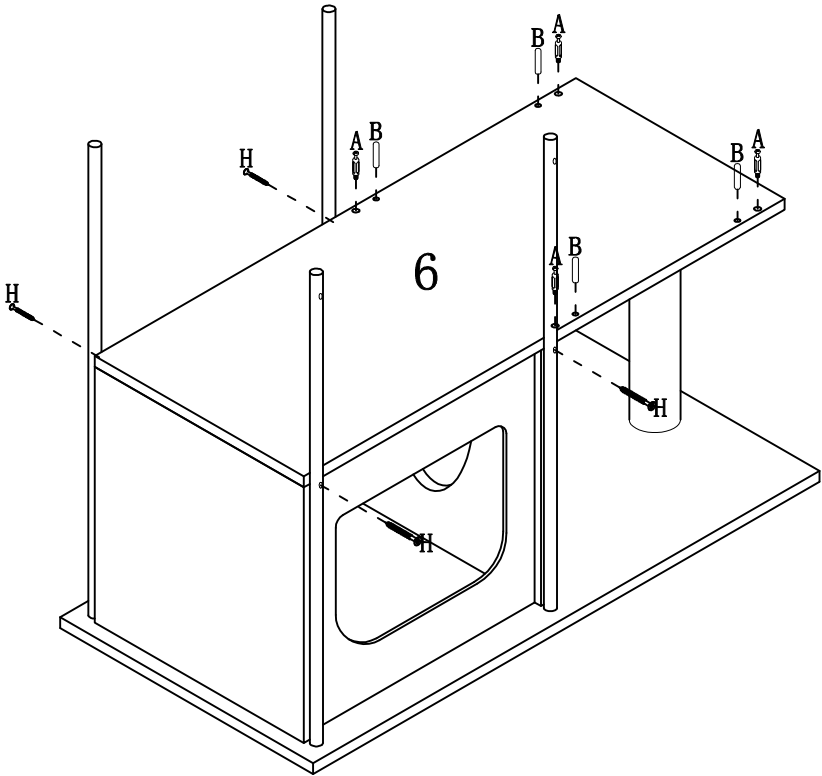
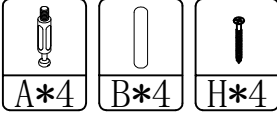


step 6

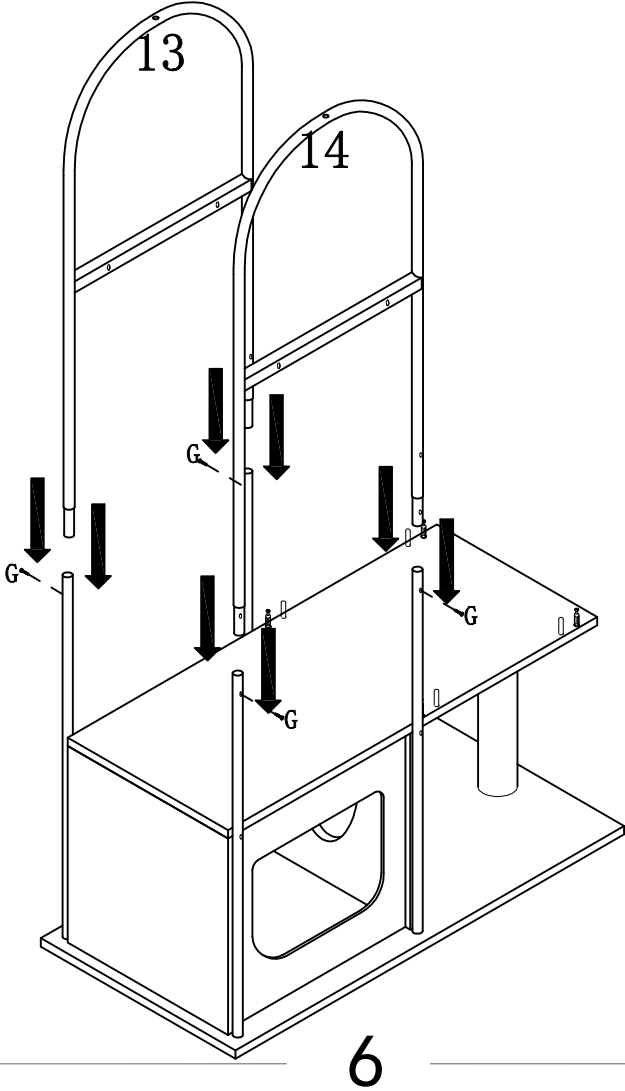
		
I*1	C*4	D*4



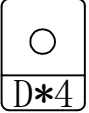
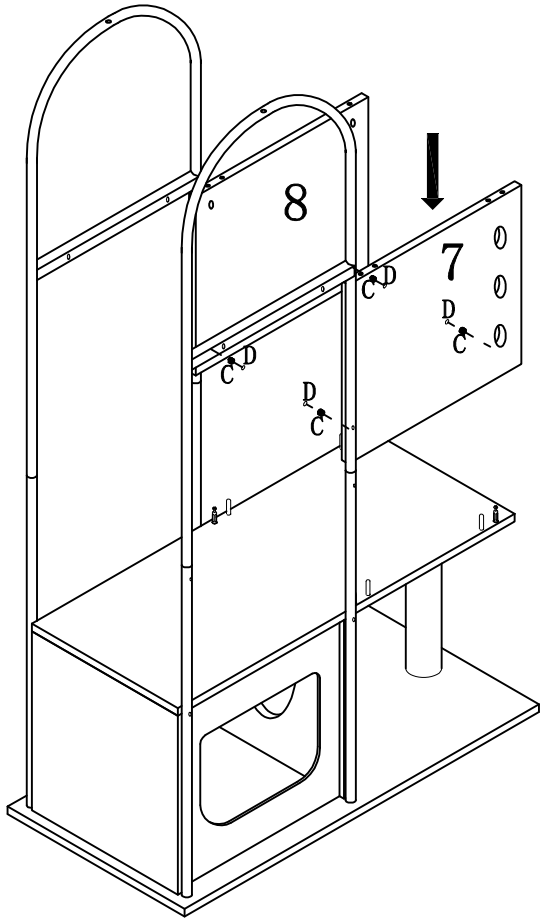
step 7



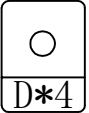
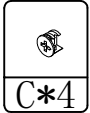
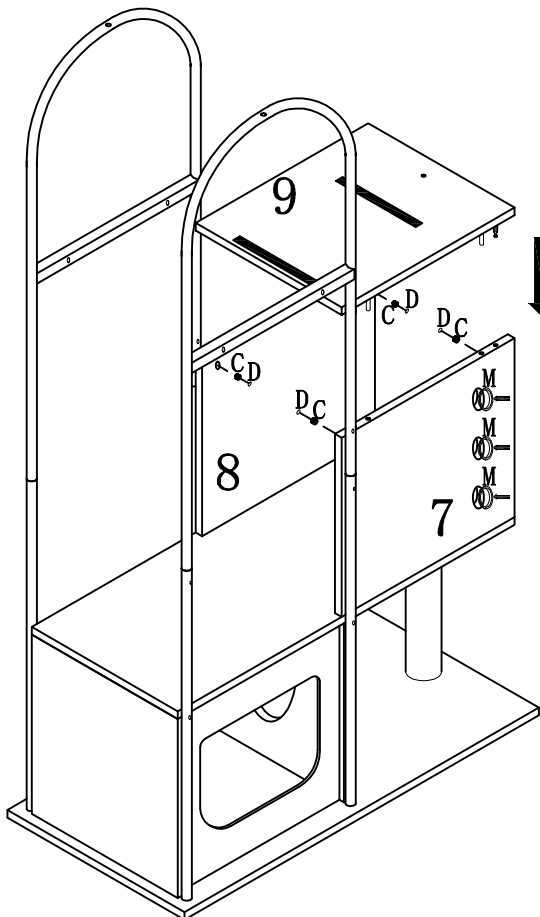
step 8



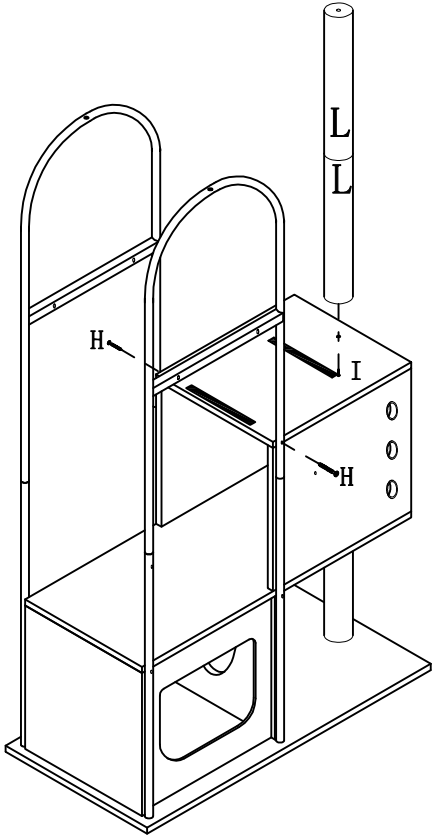
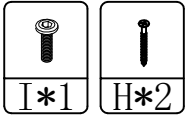
step 9



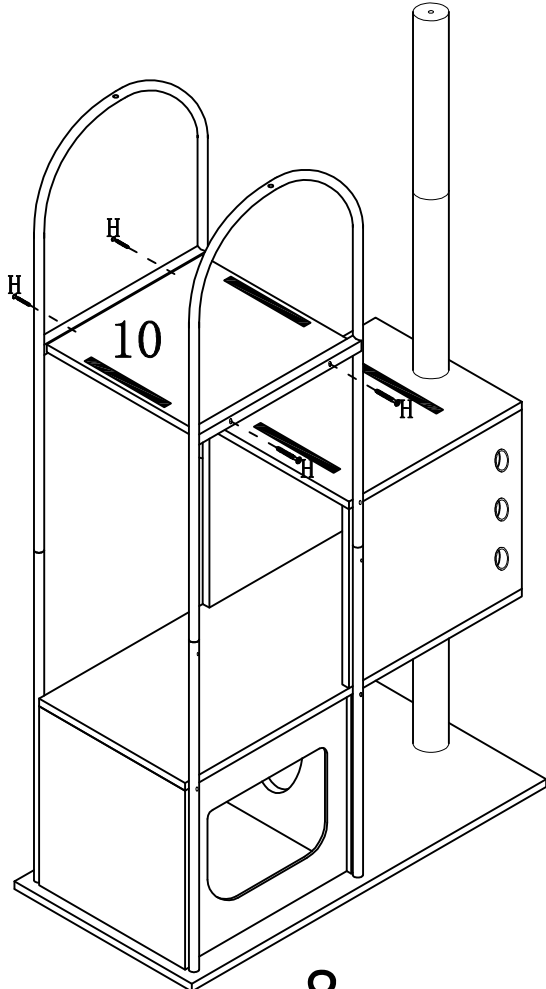
step 10



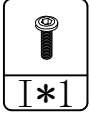
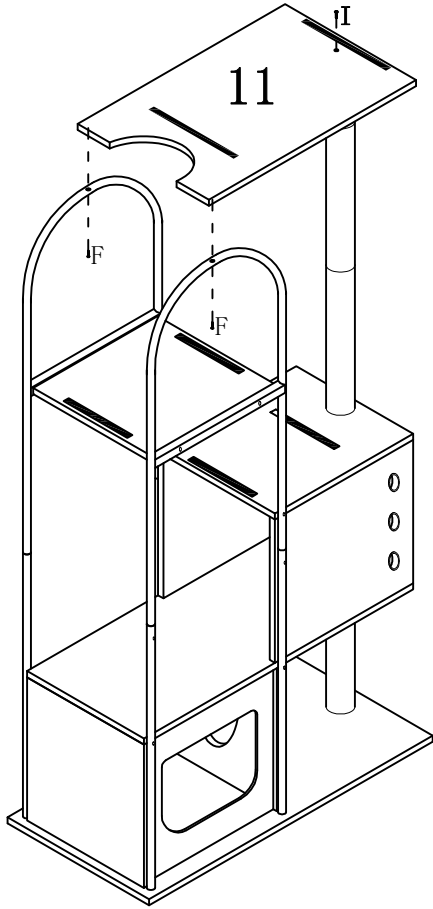
step 11



step 12



step 13



step 14

