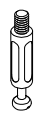

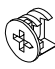


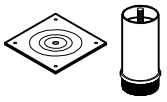
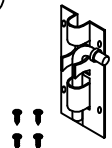

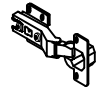




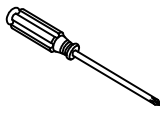
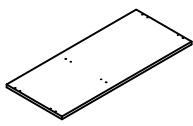
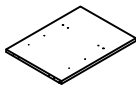
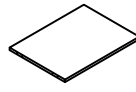
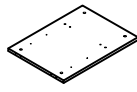
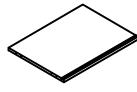
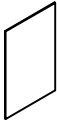
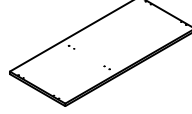


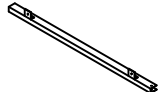
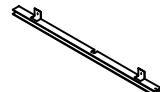


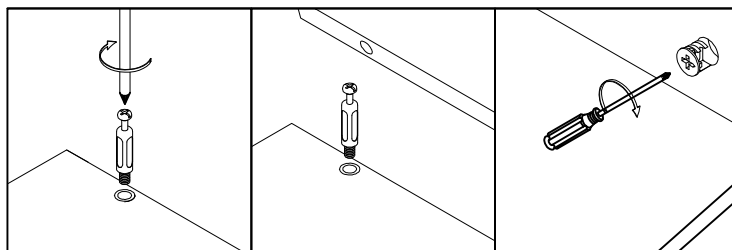
## Hardware List

|   |   |   |  |   |
|---|---|---|--|---|
| <b>(A)</b><br><br>16PCS<br>(M6*40) | <b>(B)</b><br><br>16PCS<br>(M8*40) | <b>(C)</b><br><br>16PCS<br>( $\phi$ 12*15) | <b>(D)</b><br><br>16PCS | <b>(E)</b><br><br>28PCS<br>(M4*10) |
| <b>(F)</b><br><br>4PCS             | <b>(G)</b><br><br>1PC              | <b>(H)</b><br><br>1PC                      | <b>(I)</b><br><br>2PCS   | <b>(J)</b><br><br>1PC              |
| <b>(K)</b><br><br>2PCS             | <b>(L)</b><br><br>2PCS             | <b>(M)</b><br><br>2PCS                     | <br>1PC                  |   |

## Panel List

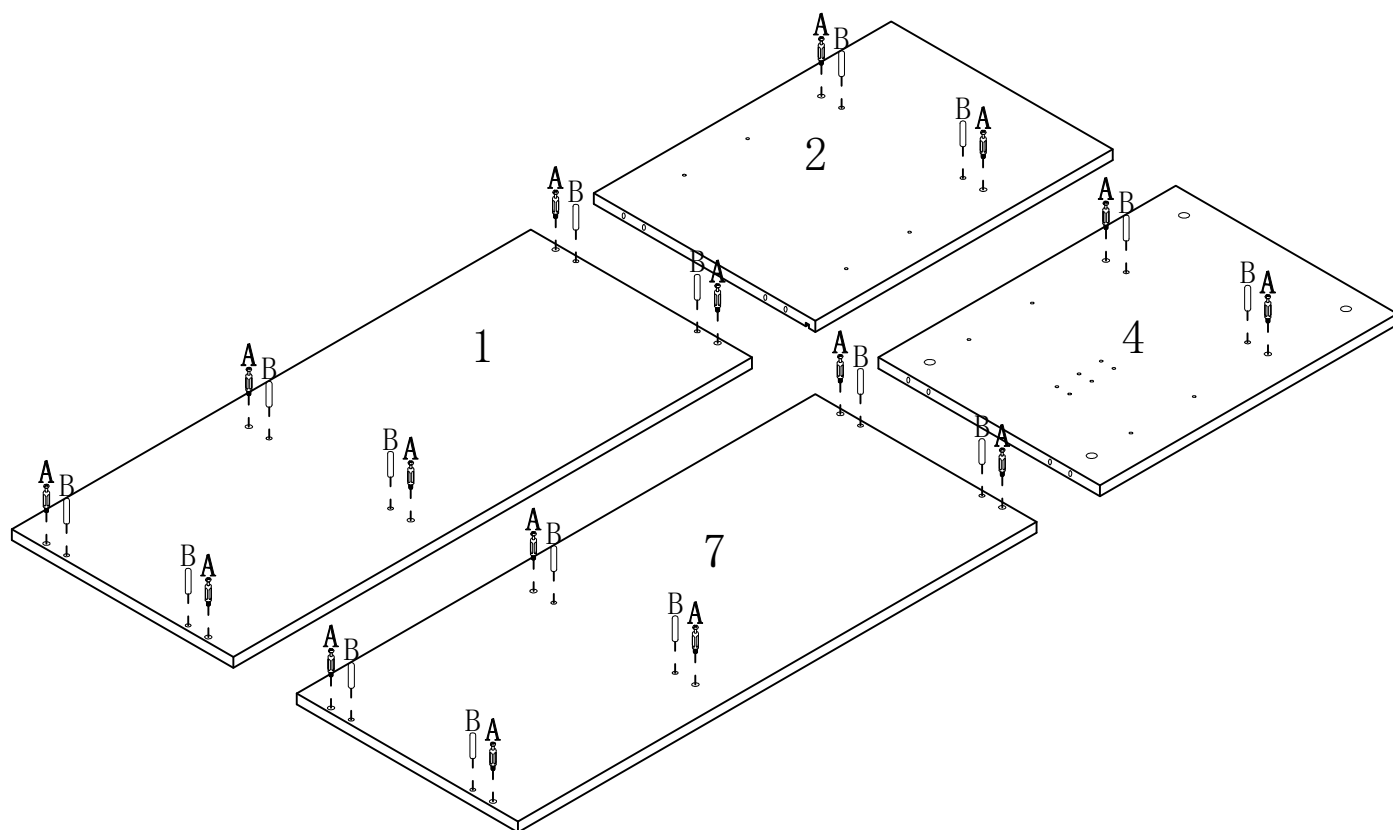
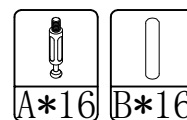
|  |   |  |  |
|--|---|--|--|
| <b>(1)</b><br><br>1PC | <b>(2)</b><br><br>1PC  | <b>(3)</b><br><br>1PC  | <b>(4)</b><br><br>1PC |
| <b>(5)</b><br><br>1PC | <b>(6)</b><br><br>1PC  | <b>(7)</b><br><br>1PC  | <b>(8)</b><br><br>1PC |
| <b>(9)</b><br><br>1PC | <b>(10)</b><br><br>1PC | <b>(11)</b><br><br>1PC |  |

# Assembling the unit with camlocks and wood dowels

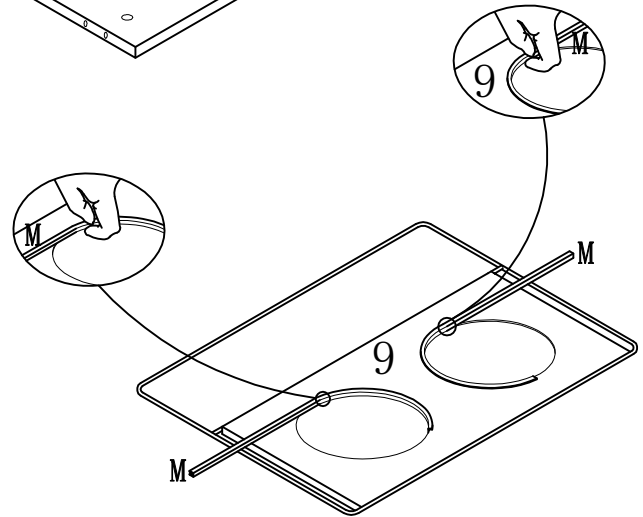
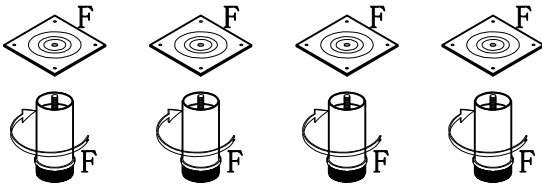
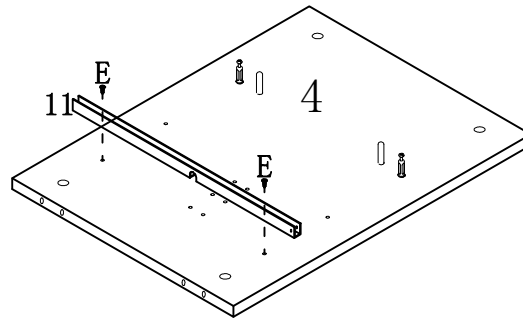
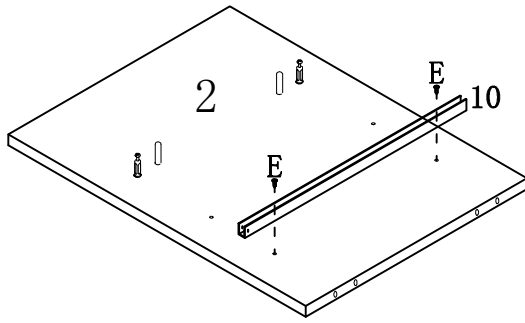


## Assembly instructions

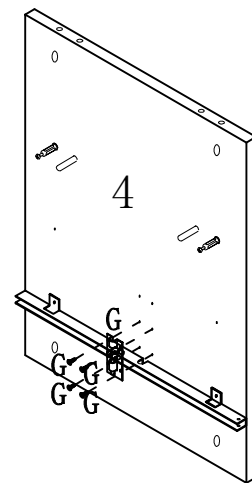
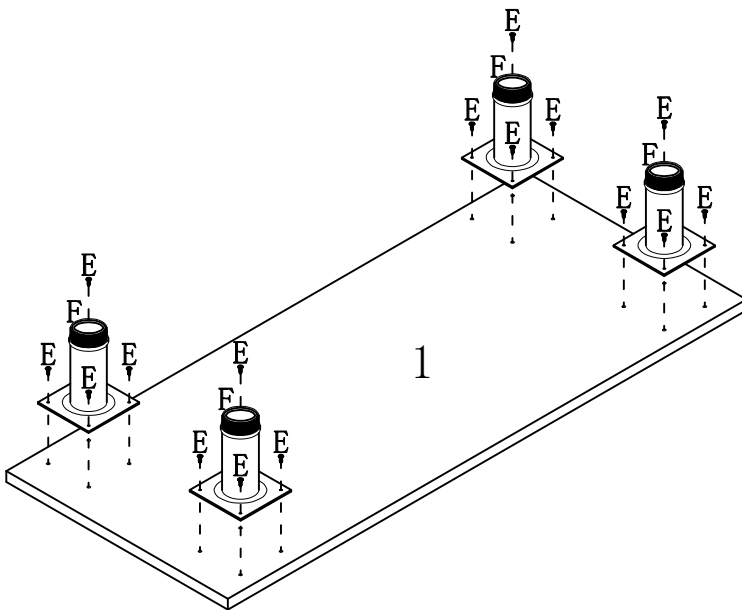
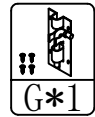
step 1



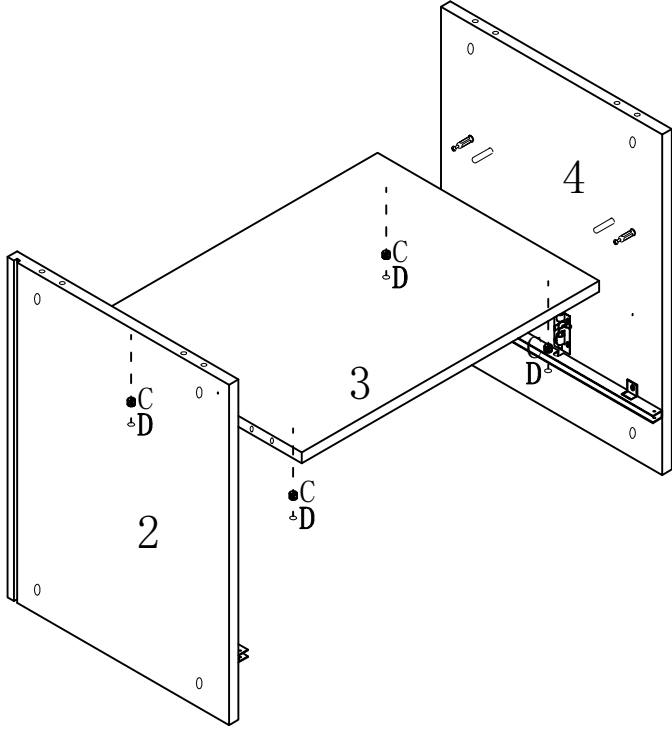
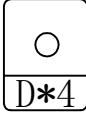
step 2



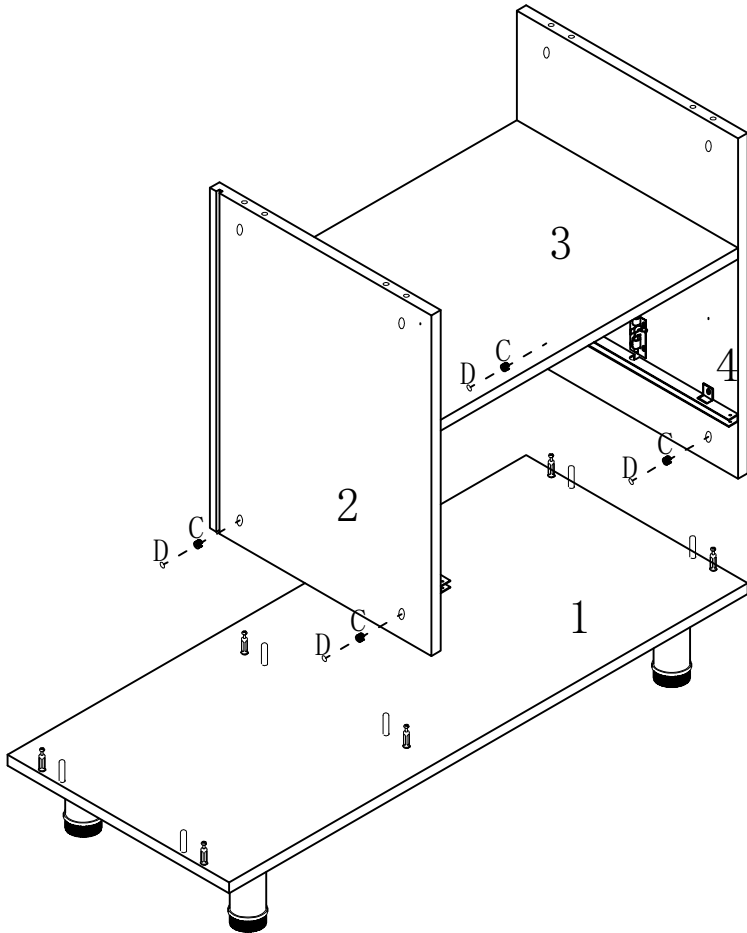
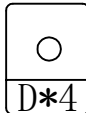
step 3



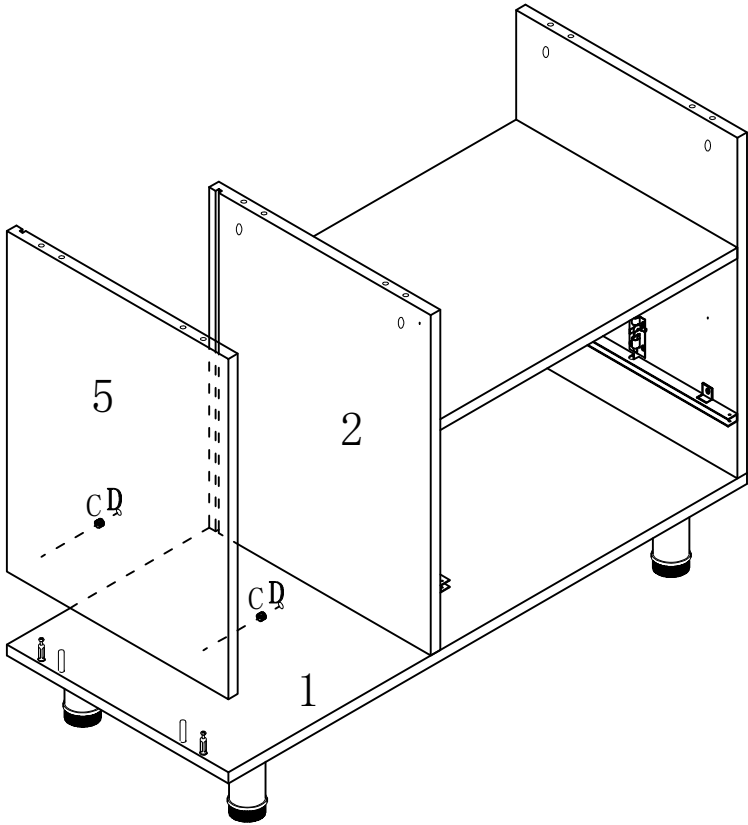
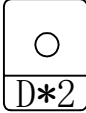
step 4



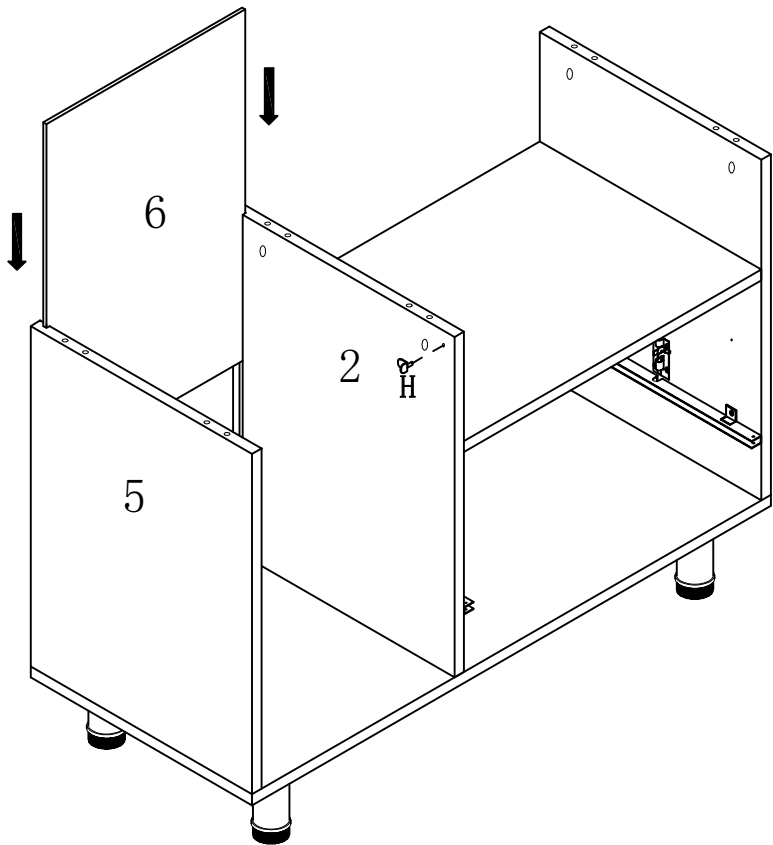
step 5



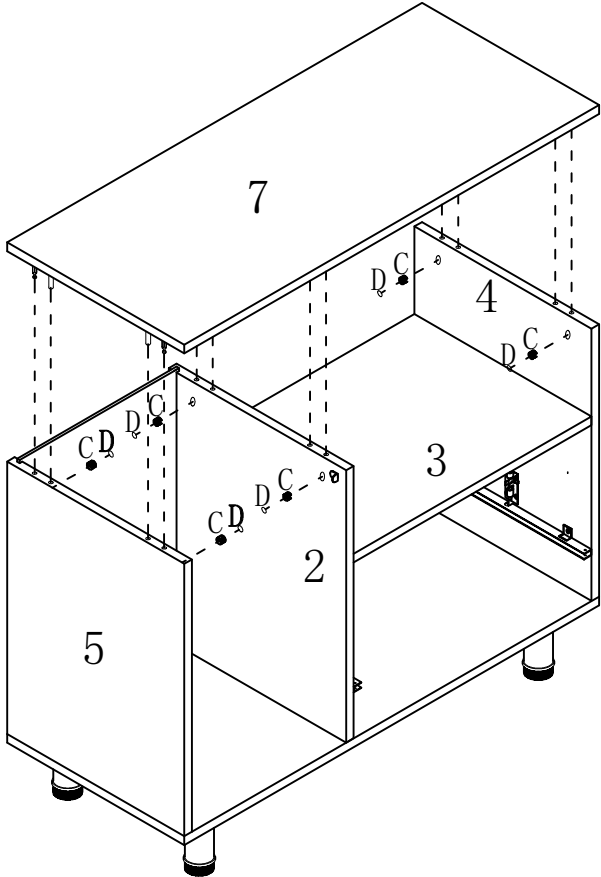
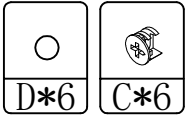
step 6



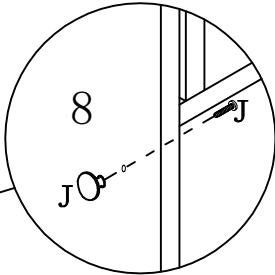
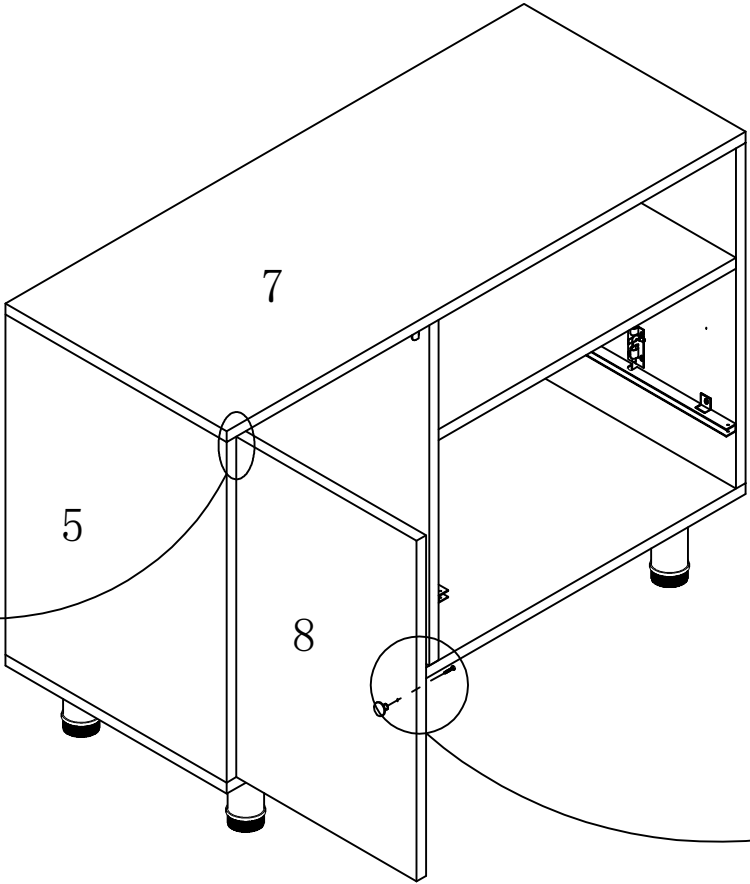
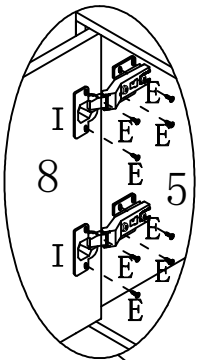
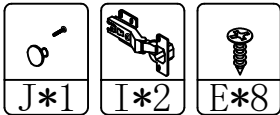
step 7



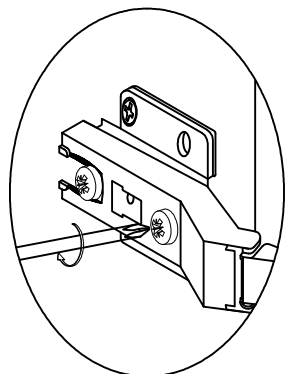
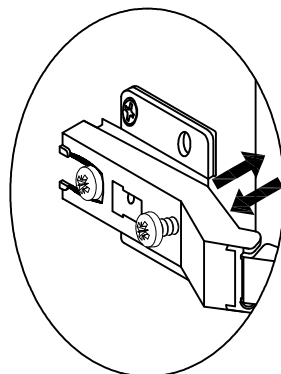
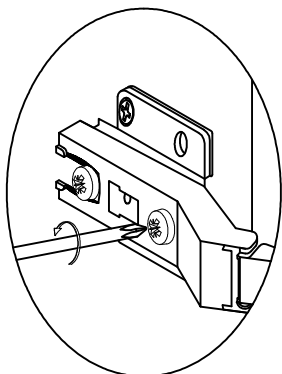
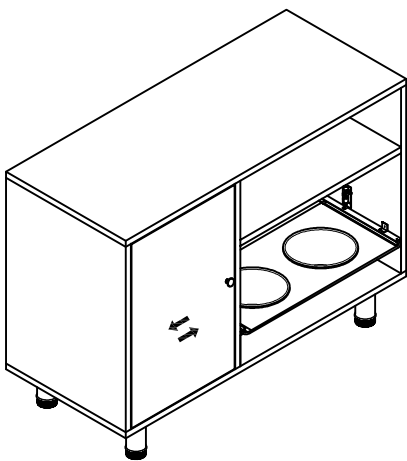
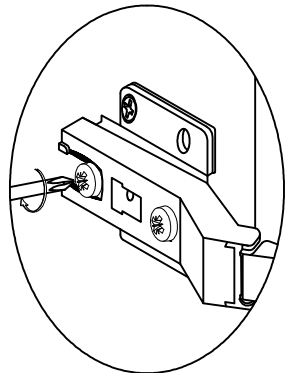
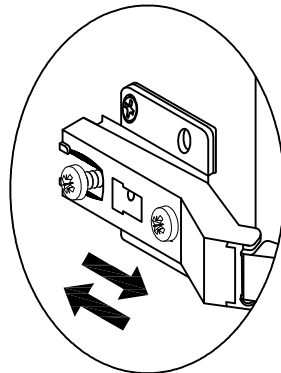
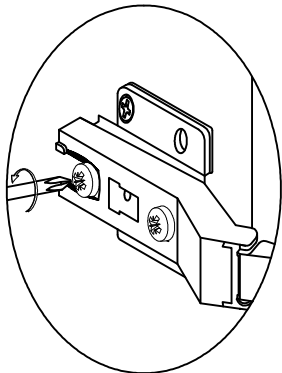
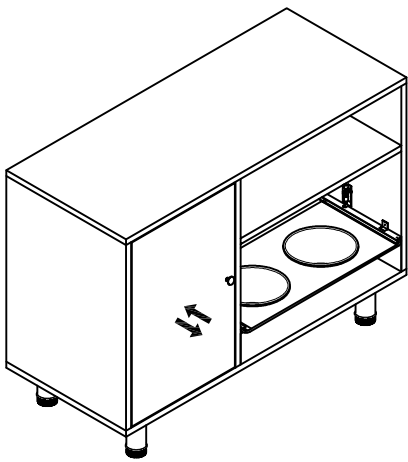
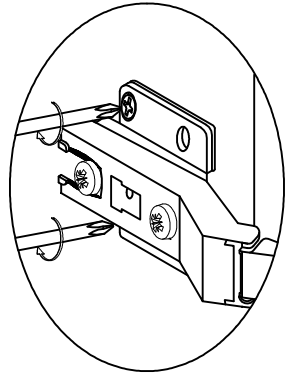
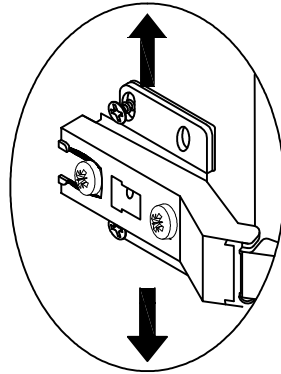
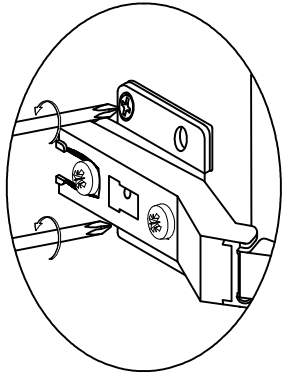
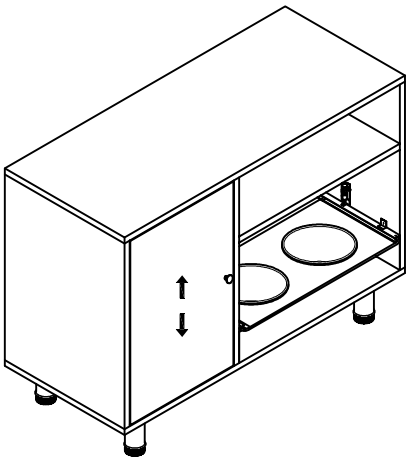
step 8



step 9

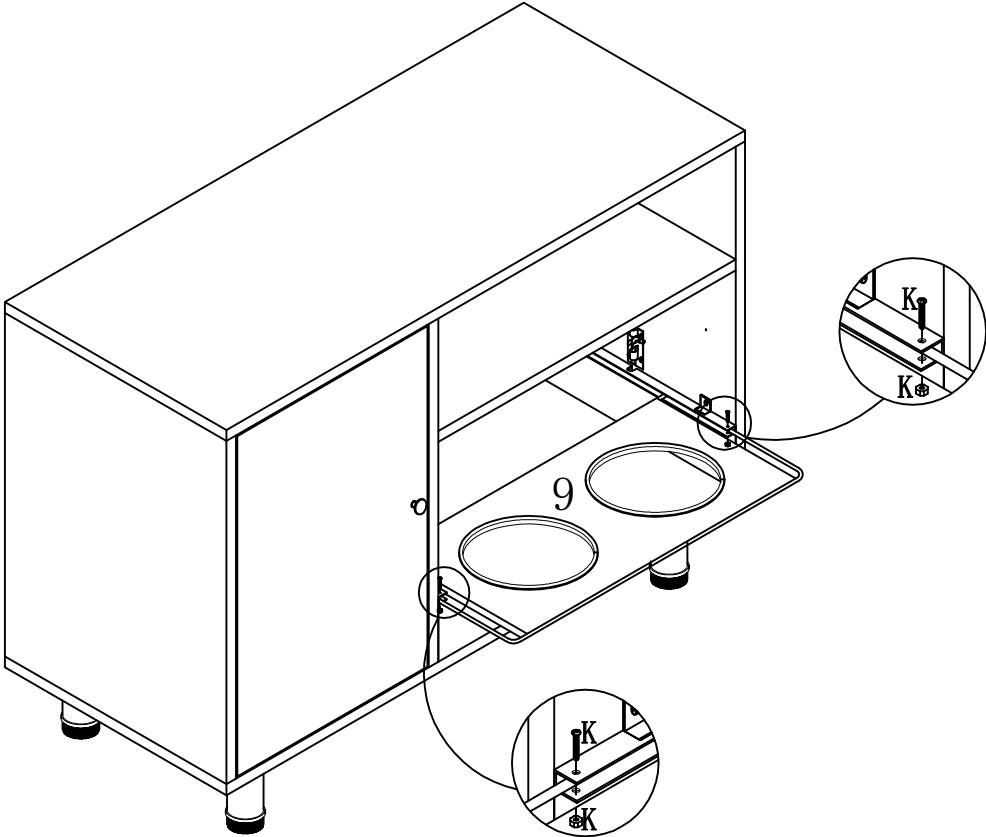
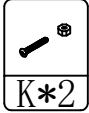


step 10





step 11



step 12

