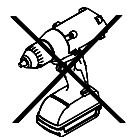
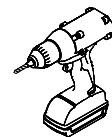
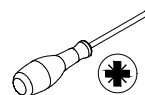
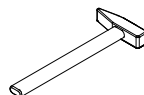
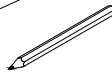
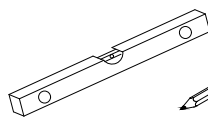
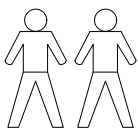
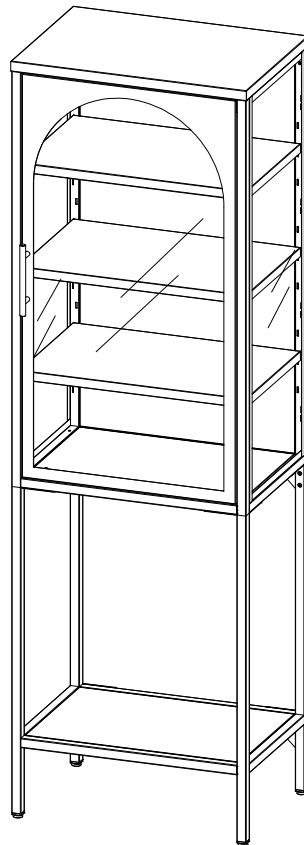
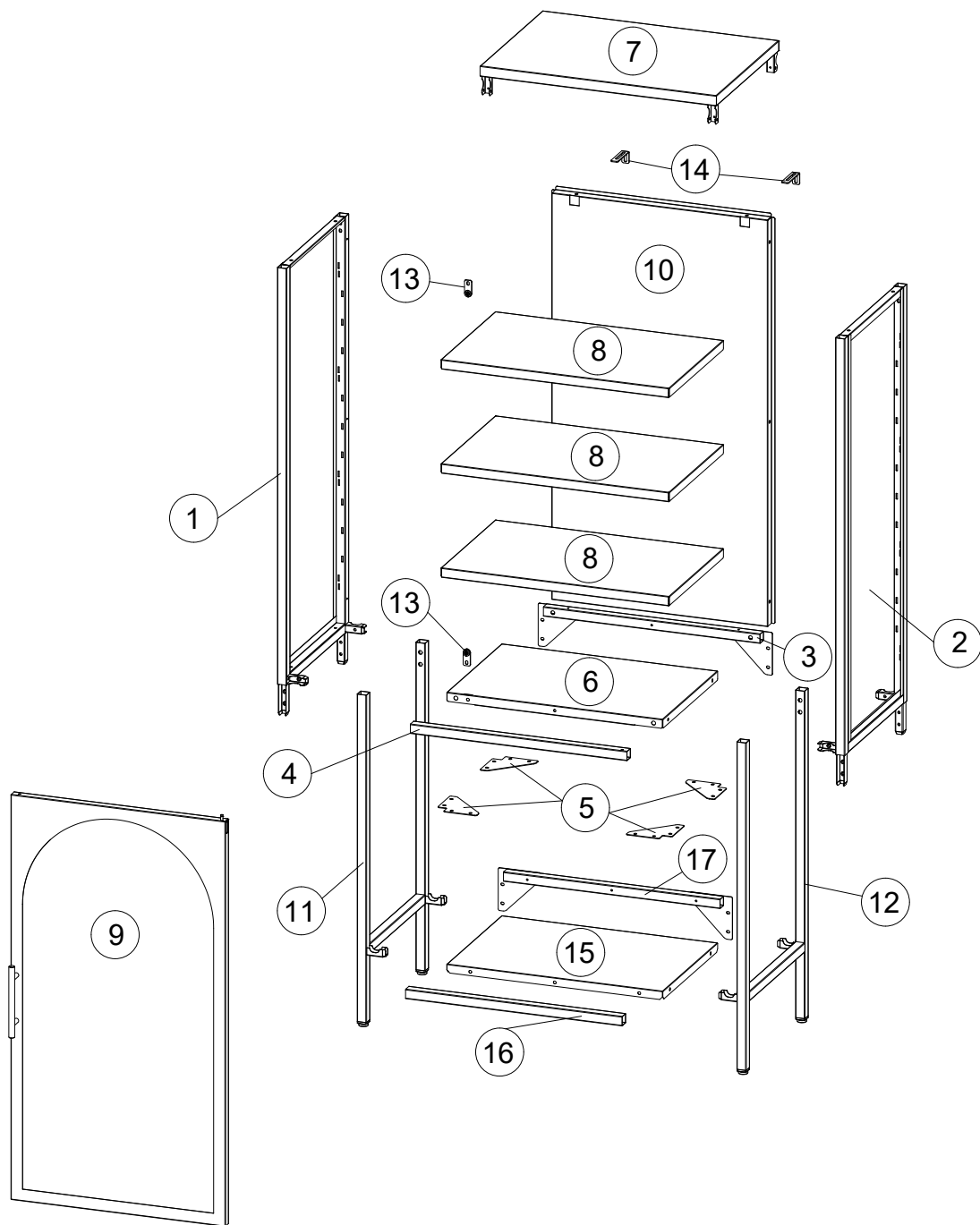


Assembly Instructions

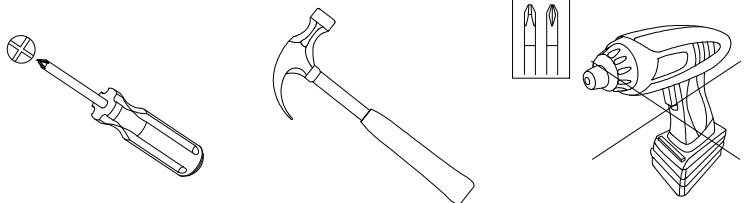
W68766571/W68766572

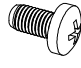
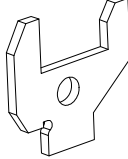
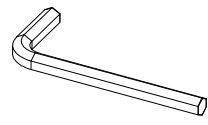
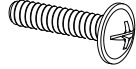


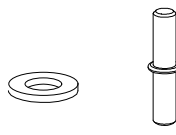
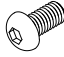
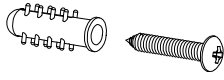
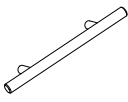




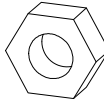

Box 1/1:

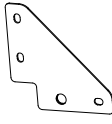


- (1) (2) (3) (4) (5) X4 (6) (7) (8) X3
 (9) (10) (11) (12) (13) X2 (14) X2 (15) (16) (17)




<p>A (48)</p>  <p>M4*8</p>	<p>B (12)</p> 	<p>C (1)</p>  <p>LØ=64mm</p>	<p>D (2)</p>  <p>M4x22mm</p>
---	---	--	---


<p>E (1)</p>  <p>Ø4.8</p>	<p>F (16)</p>  <p>M6*10</p>	<p>G (2)</p>  <p>M6*10</p>	<p>H (1)</p> 
---	--	--	--

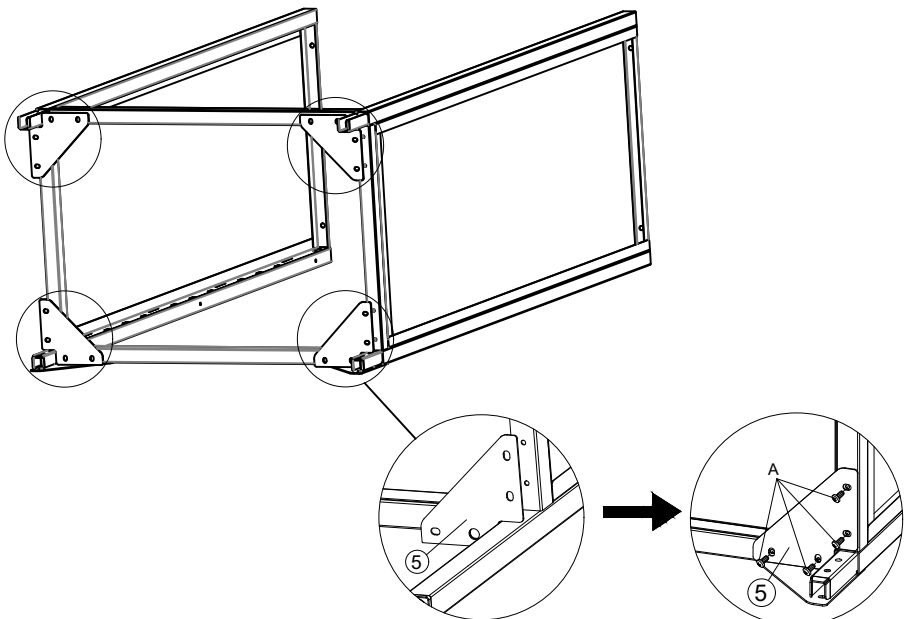
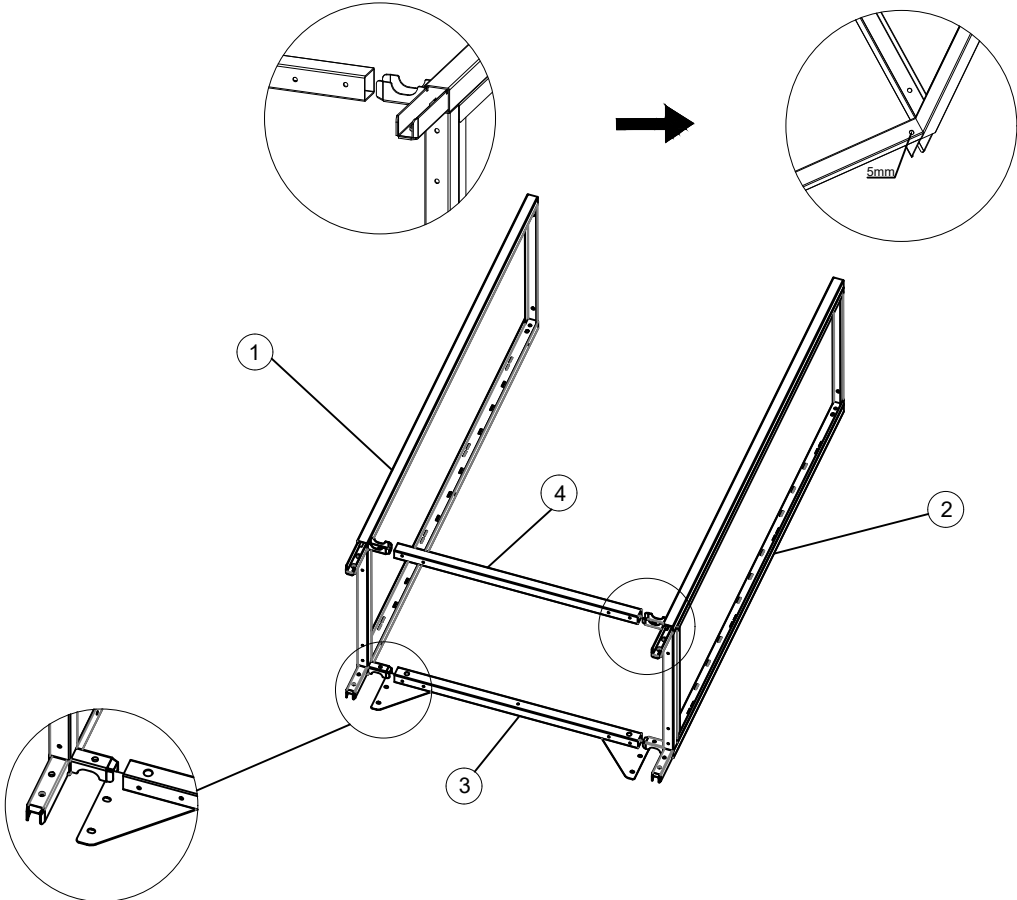
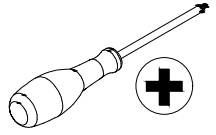
<p>I (2)</p>			
 <p>M3x8MM</p>	 <p>Ø10</p>	 <p>M3</p>	 <p>M3</p>

<p>5 × 8</p> 	<p>13 × 2</p> 	<p>14 × 2</p> 	
--	---	---	--


1


A x 16

M4x8mm

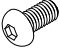
C x 1


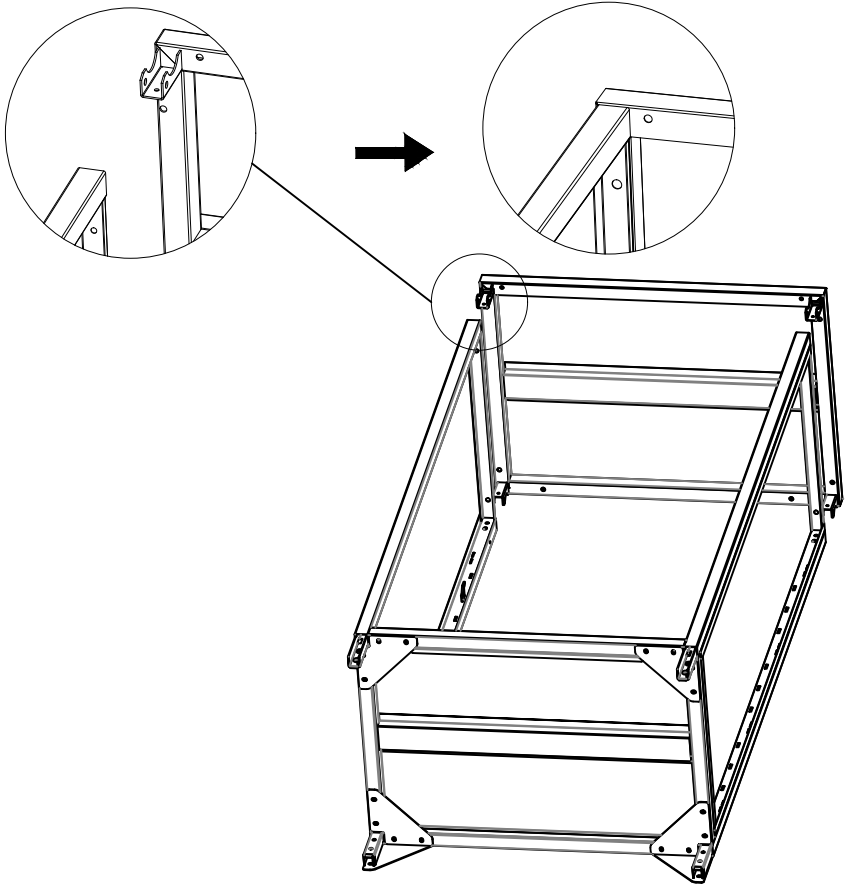
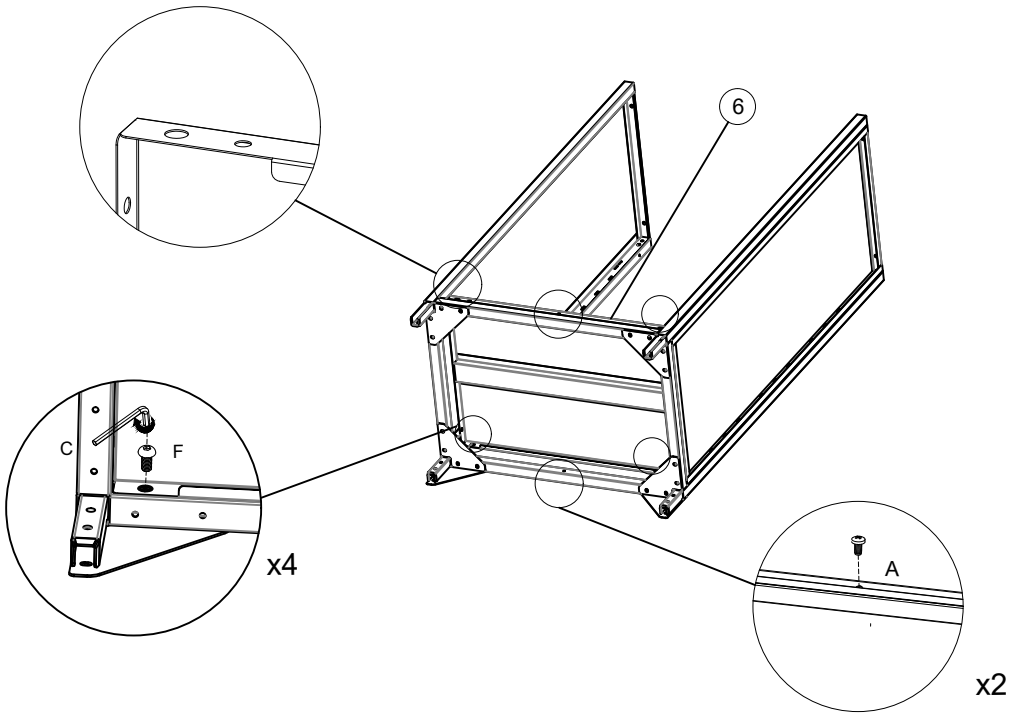
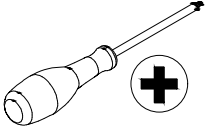


2


A x 2

M4x8mm


C x 1



F x 4

M6x10mm

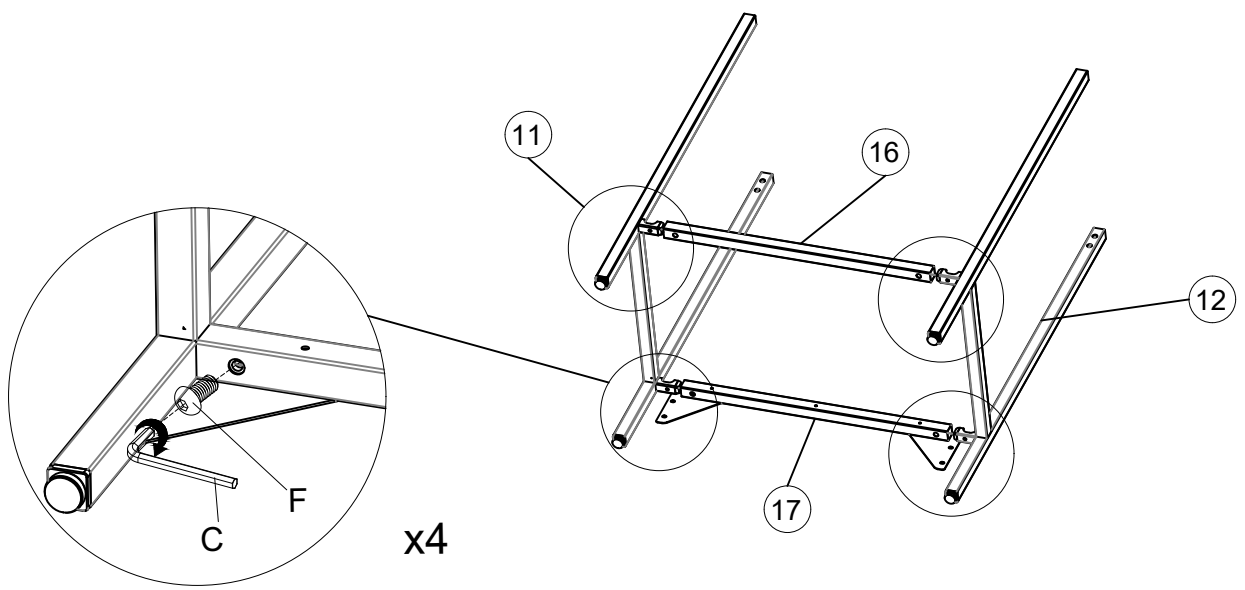
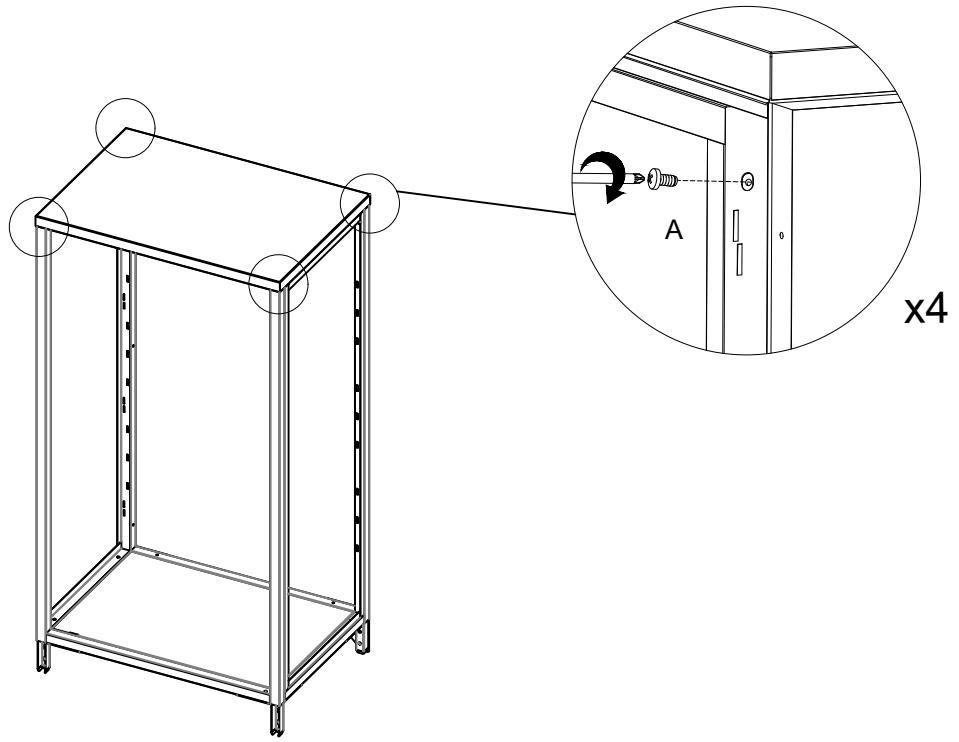
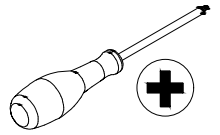


3

A x4

M4x8mm

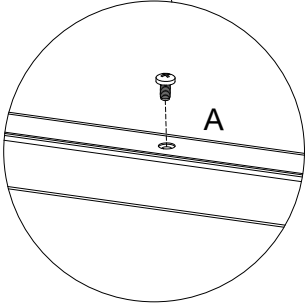
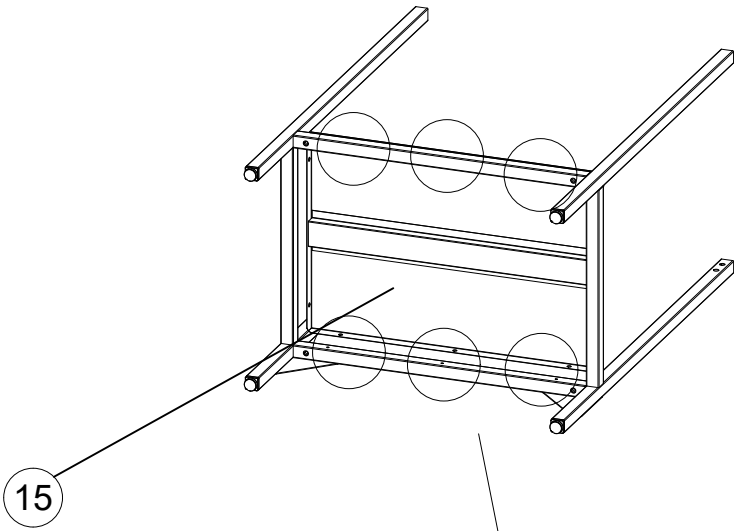
C x 1


F x 4

M6x10mm

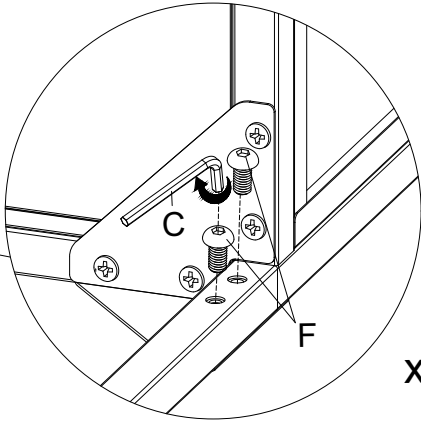
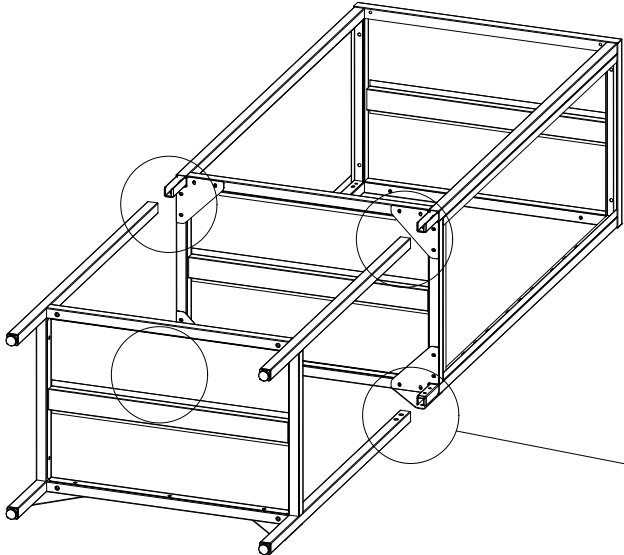


4

A x10  M4x8mm	C x 1 	F x 8  M6x10mm	
--	--	---	---






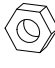

x6

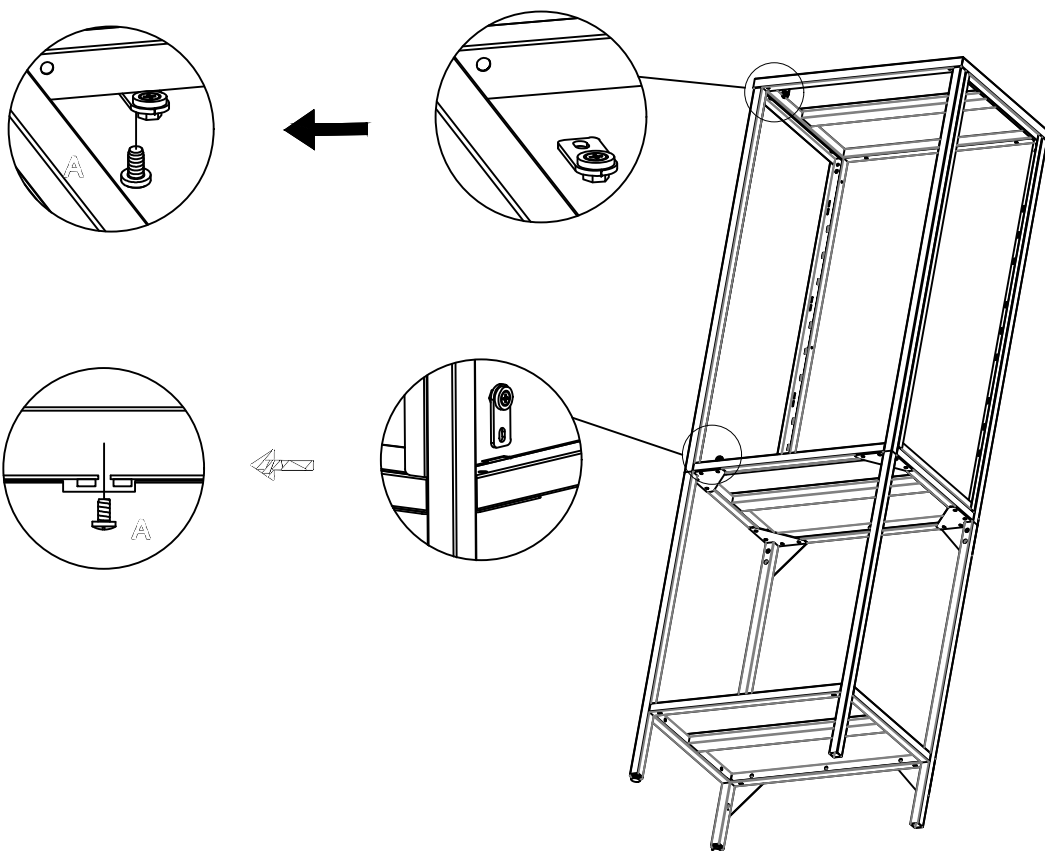
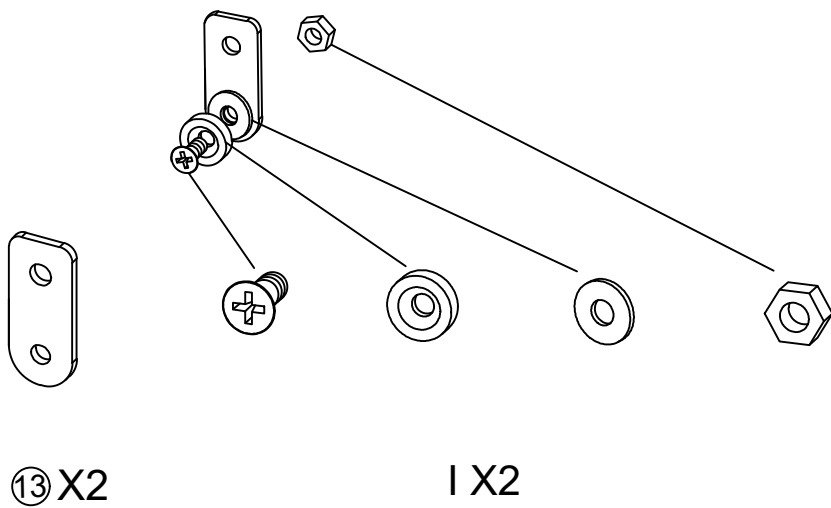
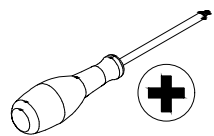


x8

5

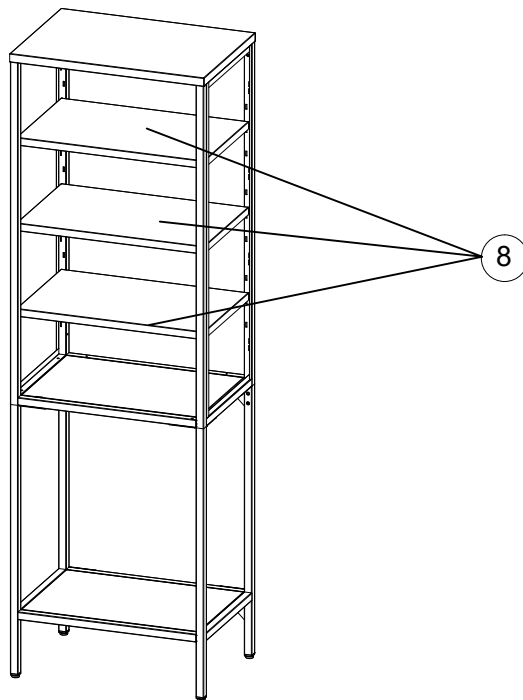
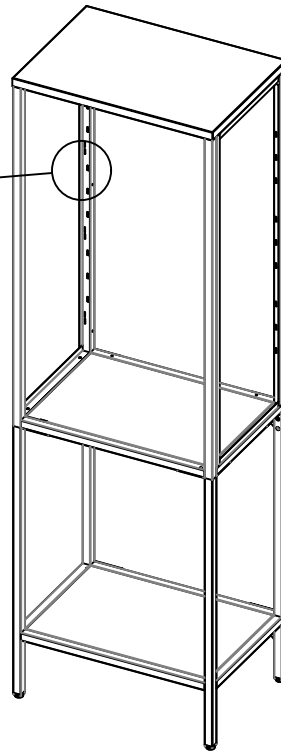
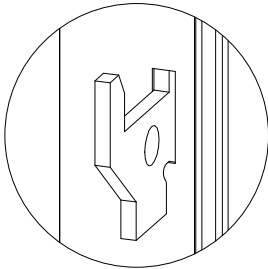
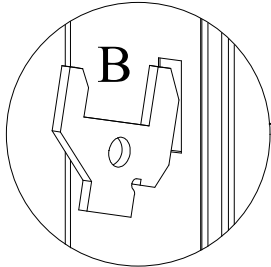
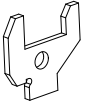
A x 2

M4x8mm

1 x 2
   
M3x8MM Ø10 M3 M3

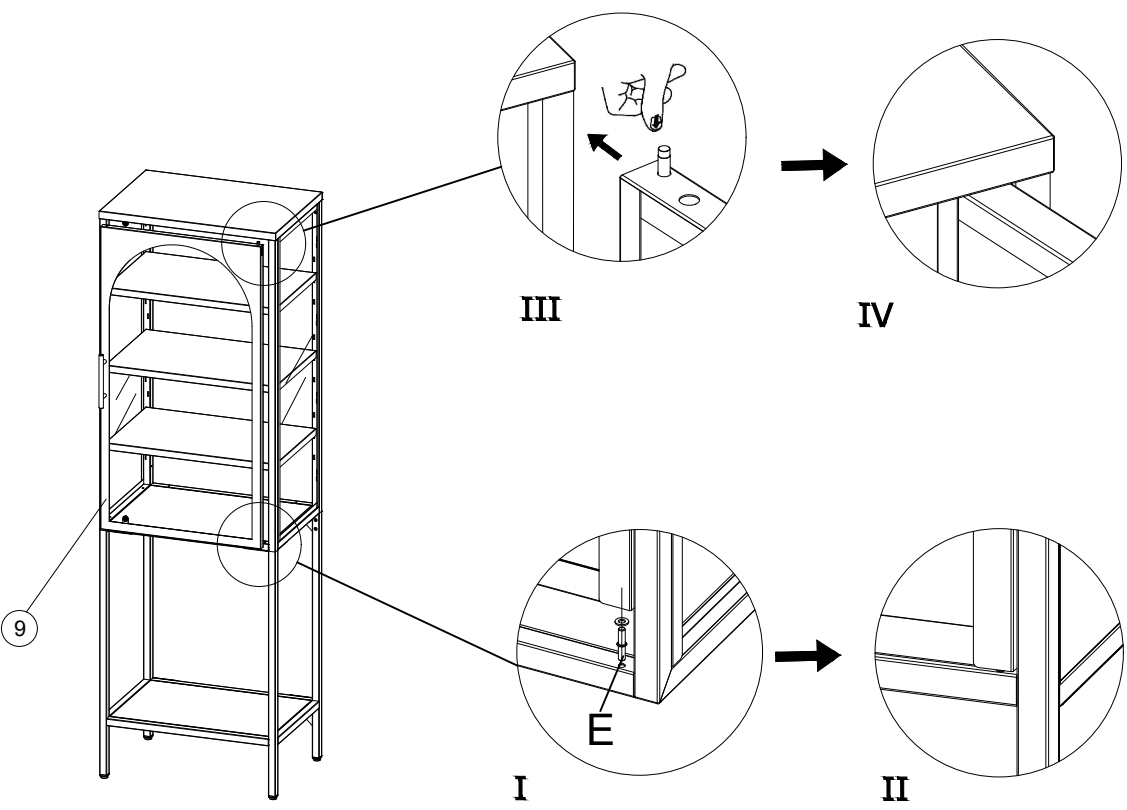
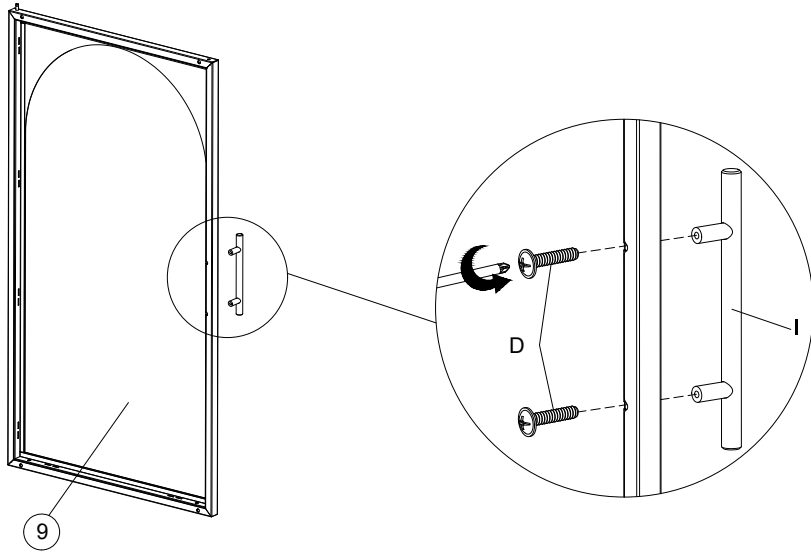
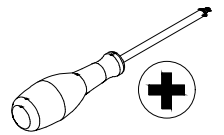
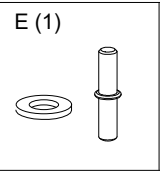
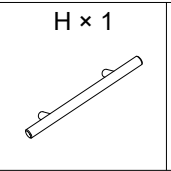
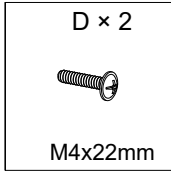


6

B × 12

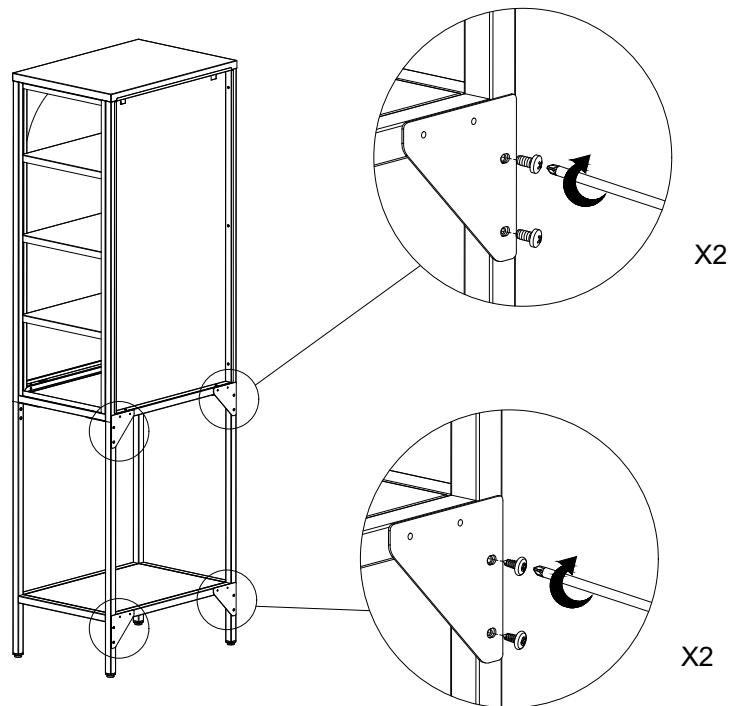
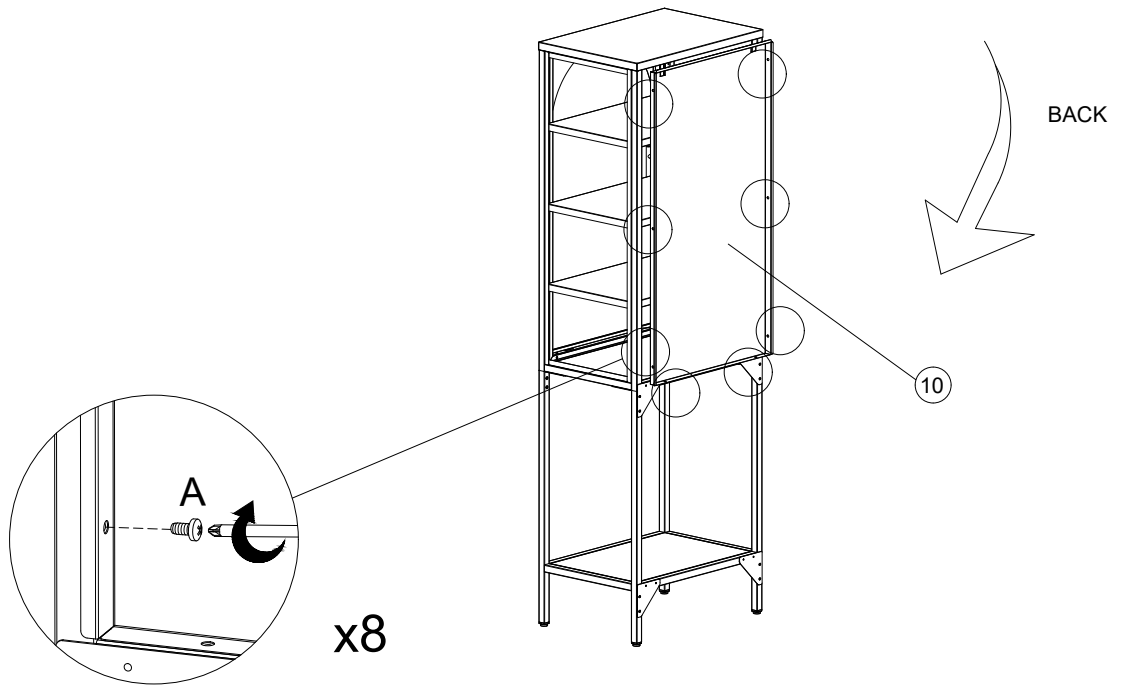


7



8

A x 16  M4x8mm	J x 4  M5x12mm	
---	---	---



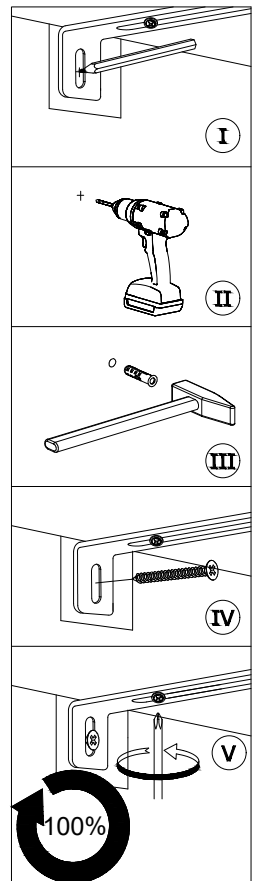
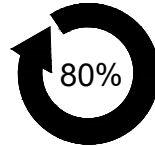
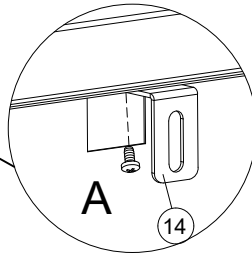
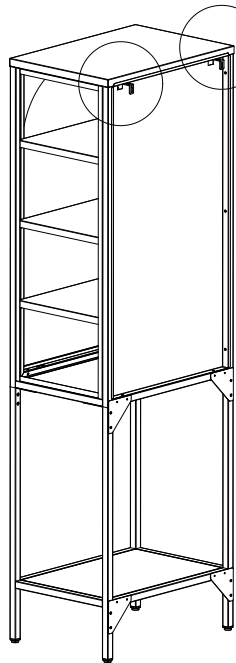
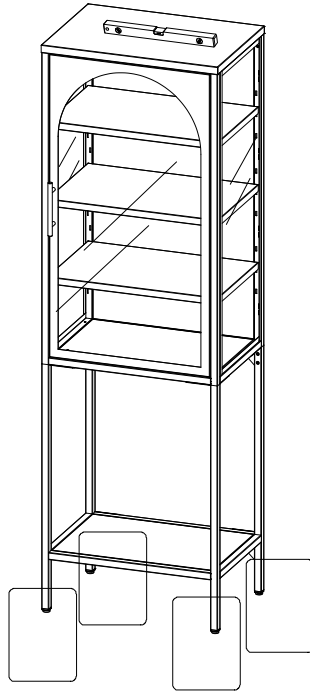
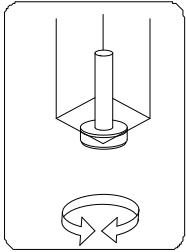
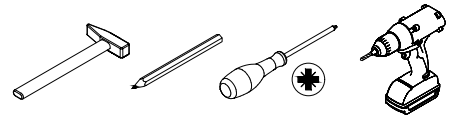
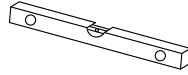
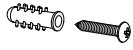
9

A x 2



M4x8mm

G x 2



10

