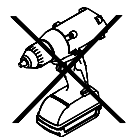
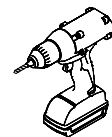
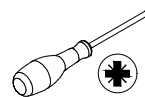
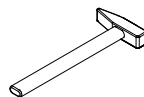
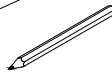
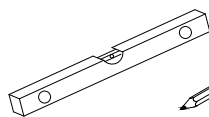
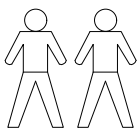
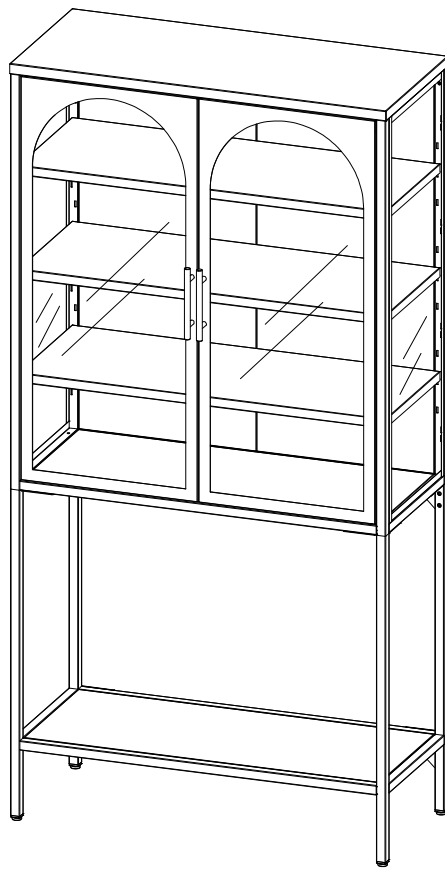
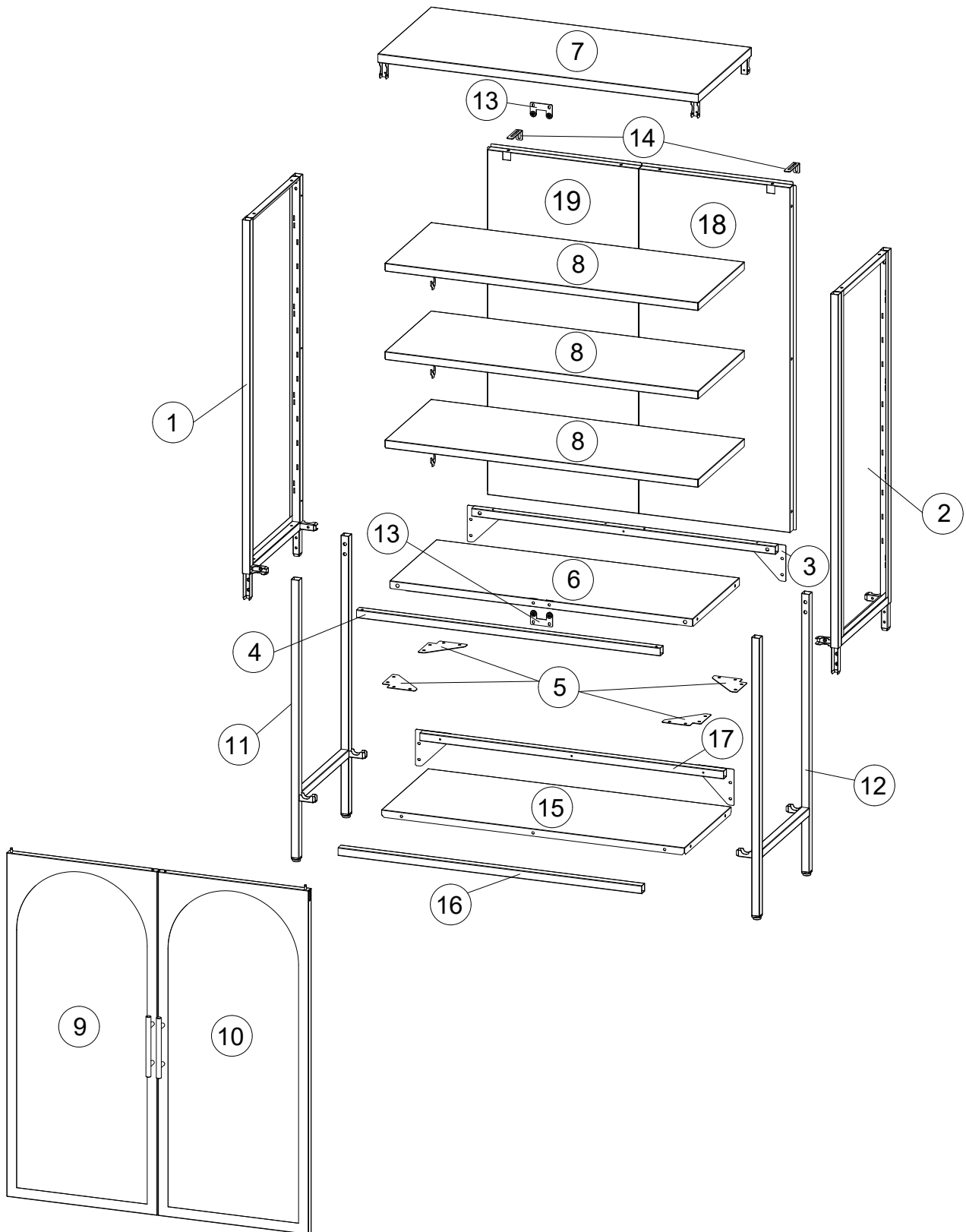


# Assembly Instructions

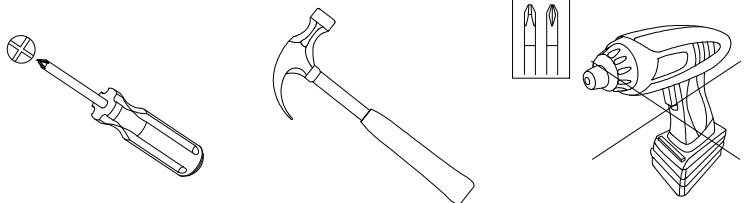
W1673127681/W1673127682/W1673127683

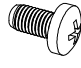
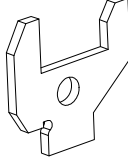
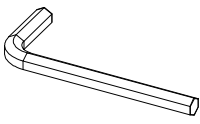
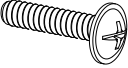


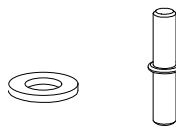
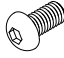
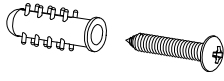
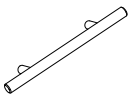




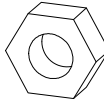

**Box 1/1:**

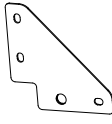

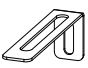
- |   |    |    |    |    |    |    |    |    |    |    |    |    |
|---|----|----|----|----|----|----|----|----|----|----|----|----|
| 1 | 2  | 3  | 4  | 5  | X4 | 6  | 7  | 8  | X3 |    |    |    |
| 9 | 10 | 11 | 12 | 13 | X2 | 14 | X2 | 15 | 16 | 17 | 18 | 19 |



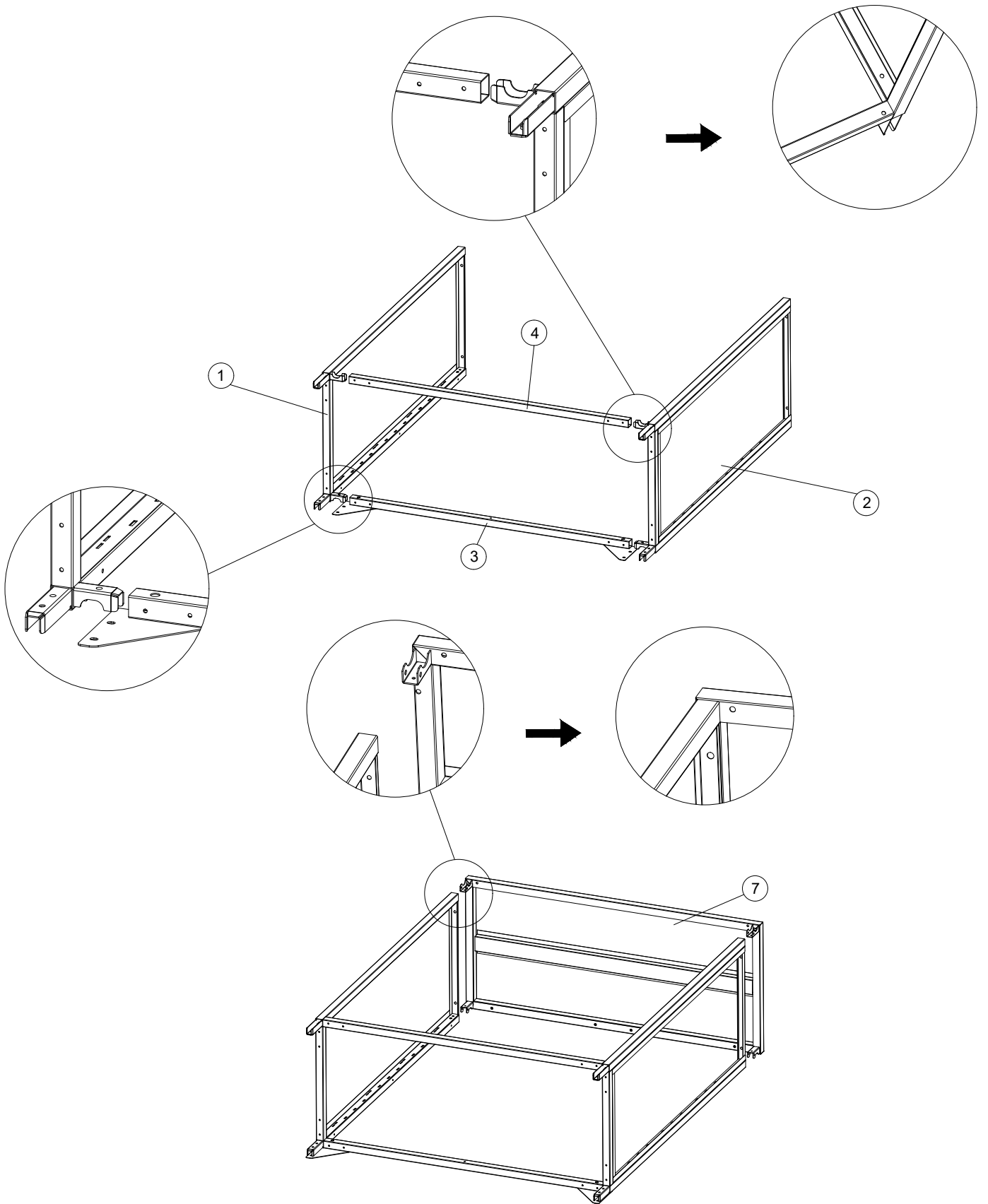
<p>A (56)</p>  <p>M4*8</p>	<p>B (12)</p> 	<p>C (1)</p>  <p>LØ=64mm</p>	<p>D (2)</p>  <p>M4x22mm</p>
---	---	--	---

<p>E (2)</p>  <p>Ø4.8</p>	<p>F (20)</p>  <p>M6*10</p>	<p>G (2)</p>  <p>M6*10</p>	<p>H (1)</p> 
---	--	--	--

<p>I (2)</p>			
 <p>M3x8MM</p>	 <p>Ø10</p>	 <p>M3</p>	 <p>M3</p>

<p>5 × 8</p> 	<p>13 × 2</p> 	<p>14 × 2</p> 	
--	---	--	--

1



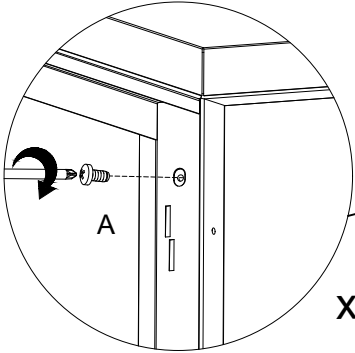
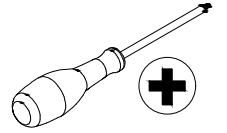
2

A x 20

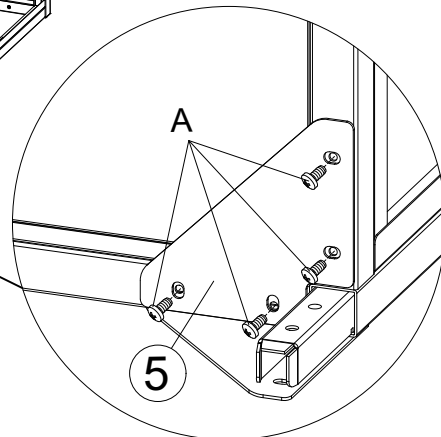
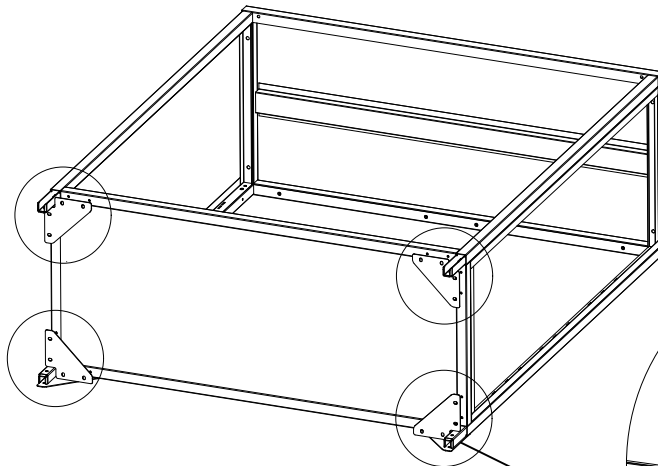
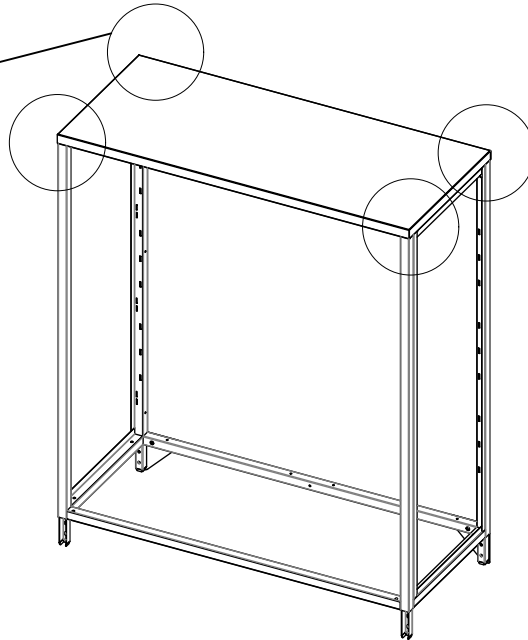


M4x8mm

C x 1



x4



x4

3

A x 1



M4x8mm

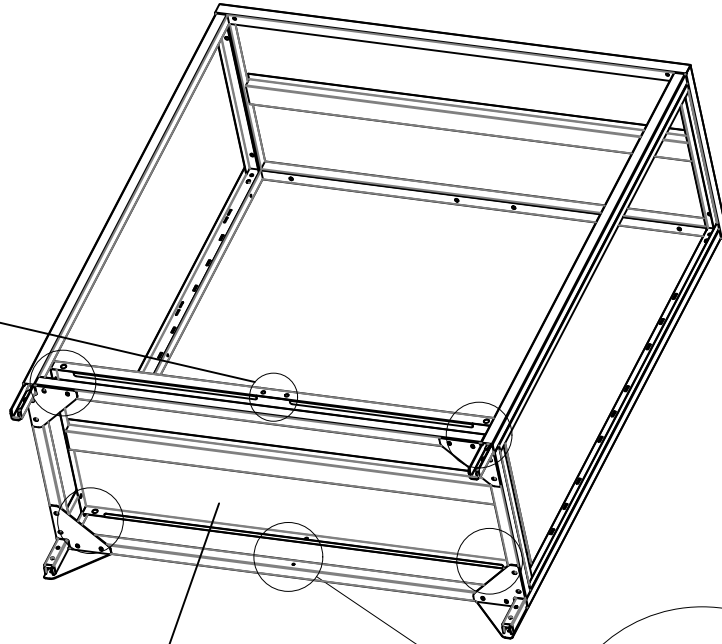
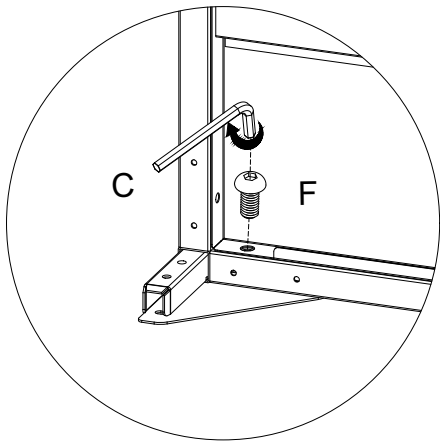
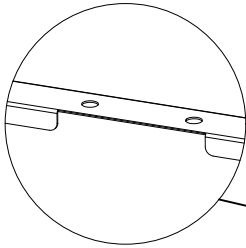
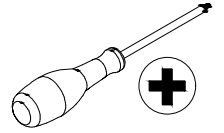
C x 1



F x 8

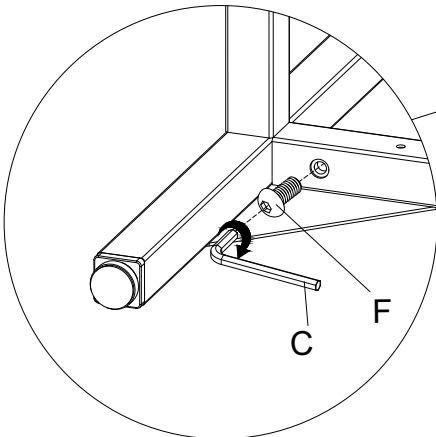
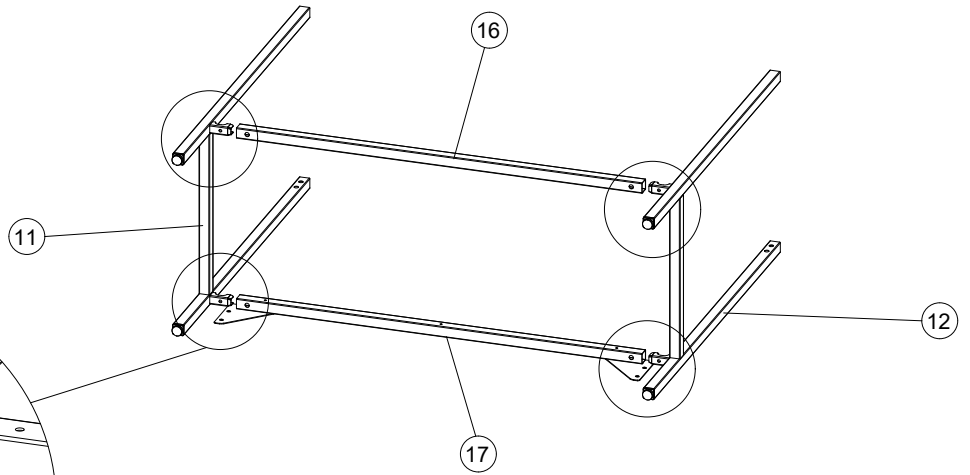
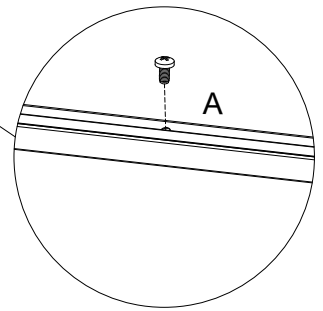


M6x10mm




x4


6




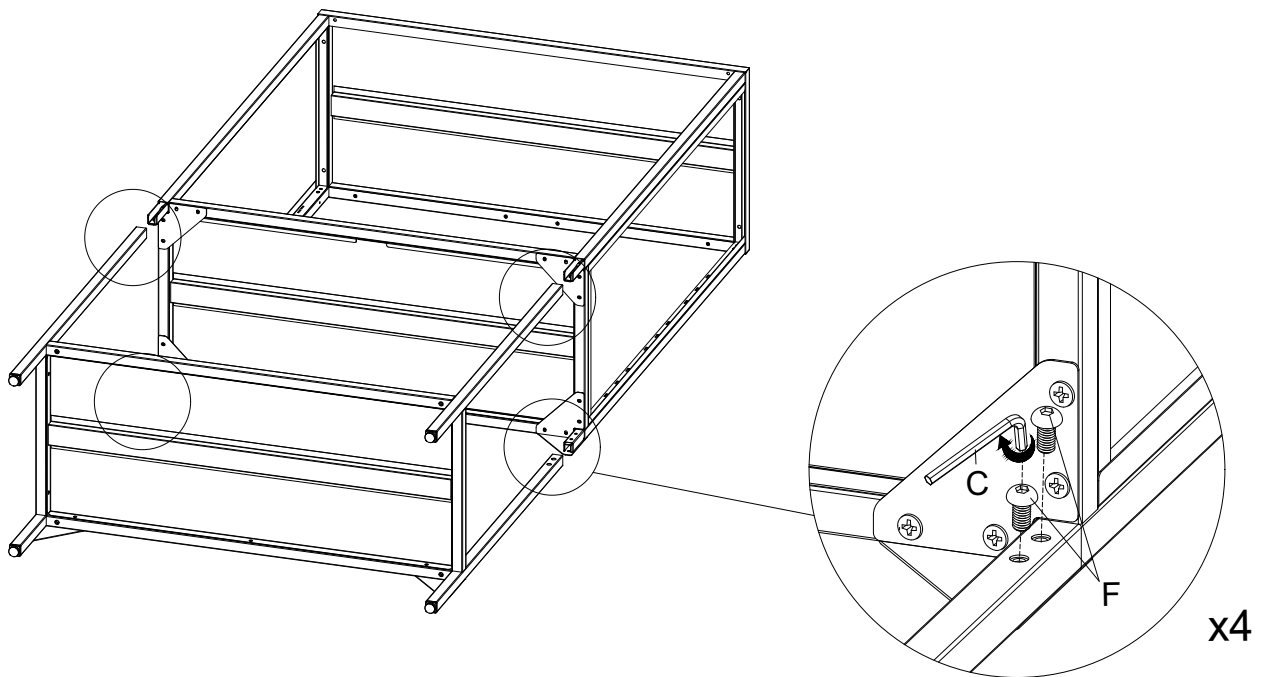
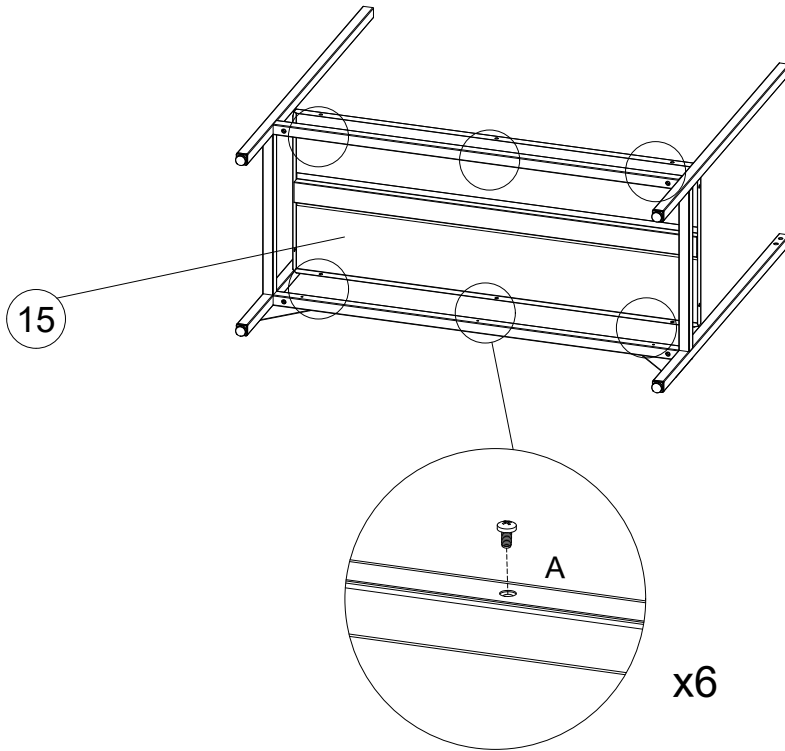
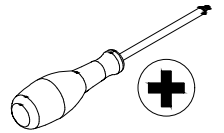
x4

4




A x 6  
  
M4x8mm

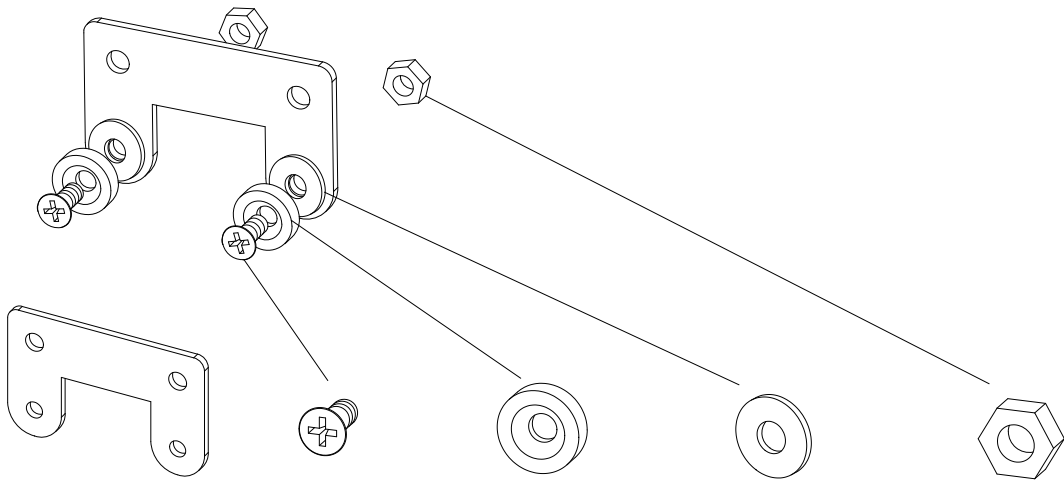
C x 1  


F x 8  
  
M6x10mm



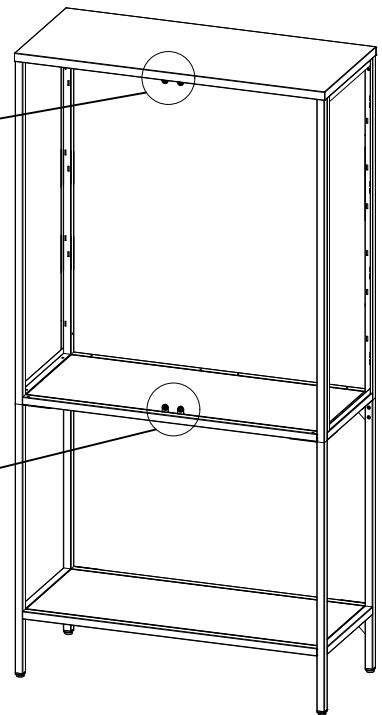
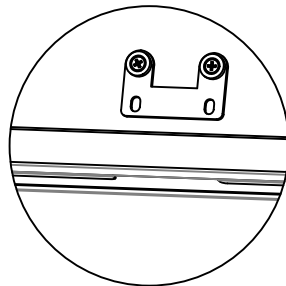
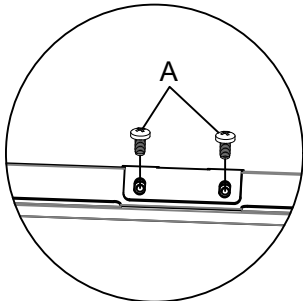
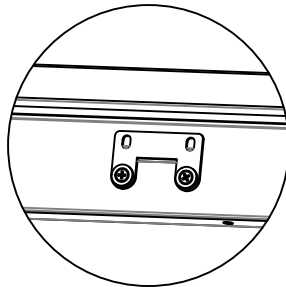
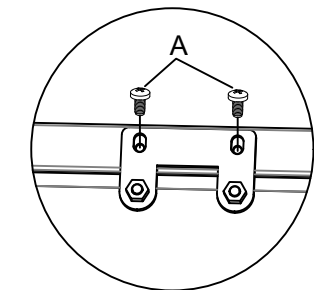
5

<p>E x 2</p>  <p>Ø4.8    Ø5</p>	<p>I x 4</p>  <p>M3x8mm    M3    T=3mm    Ø3</p>	<p>A x 4</p>  <p>M4x8mm</p>	
--	---	--	--



13 X2

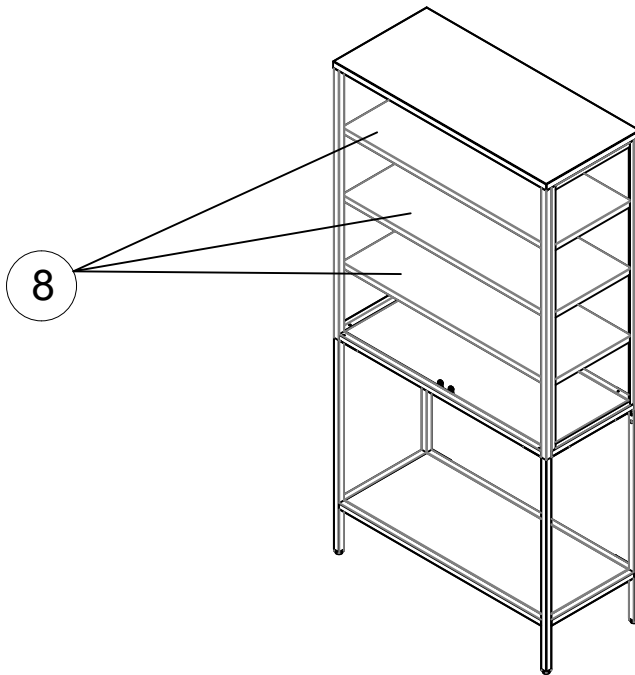
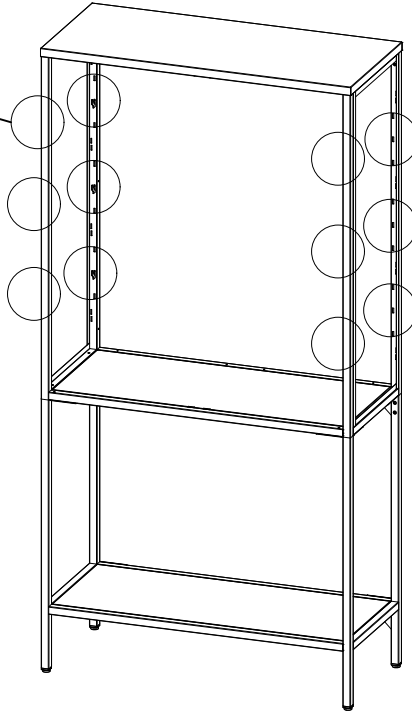
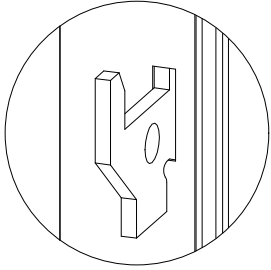
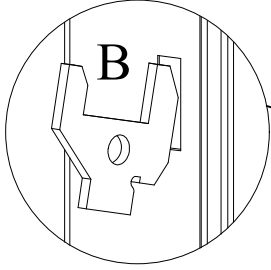
I X4





6

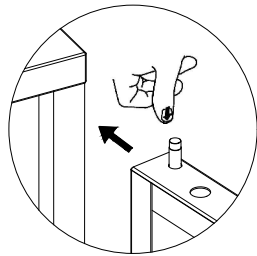
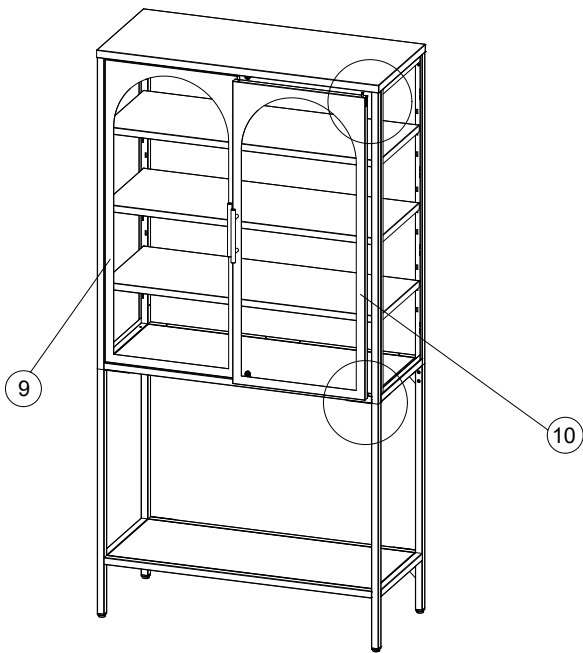
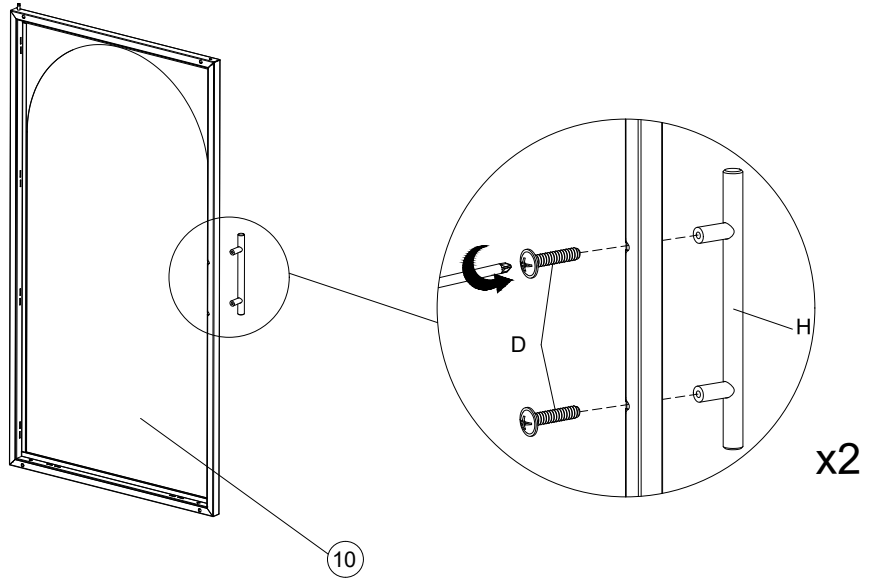
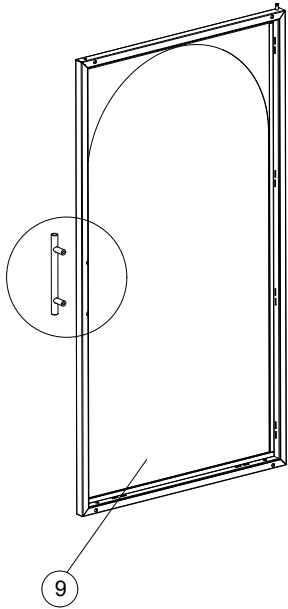
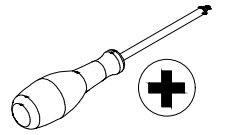
B (12)



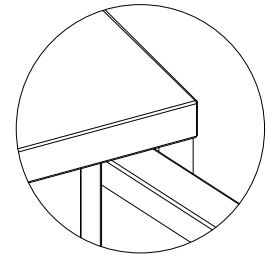
7

D × 4  
M4x22mm

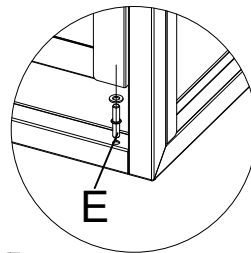
H × 2



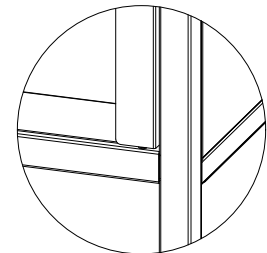
III



IV



I



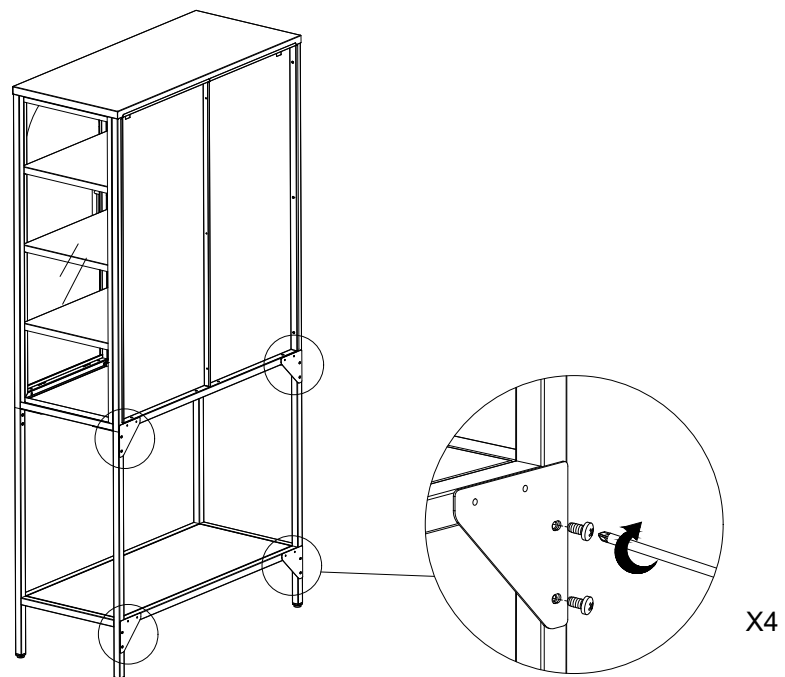
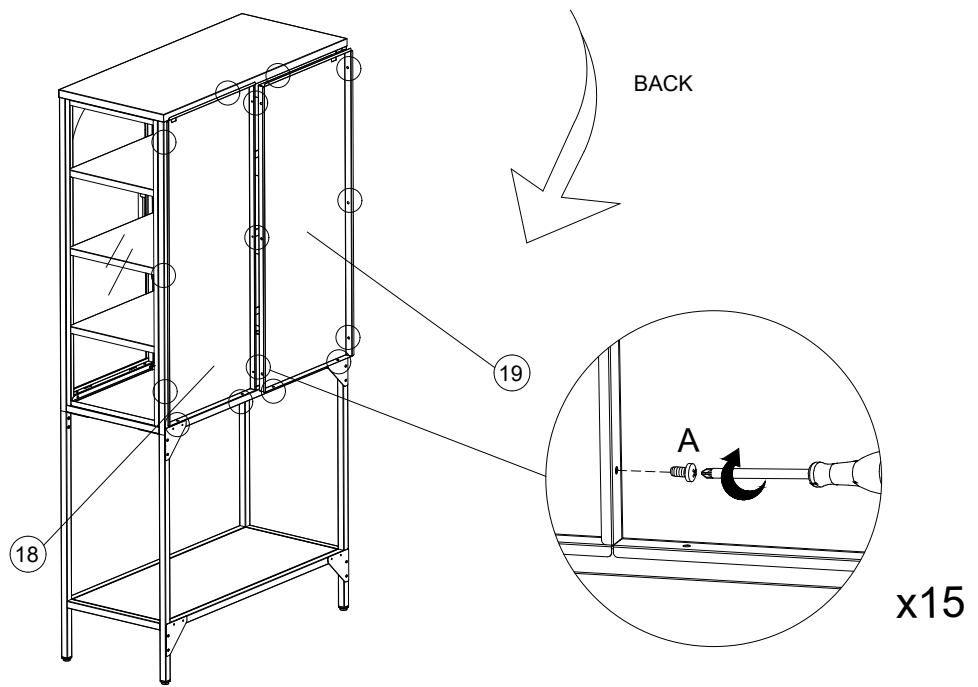
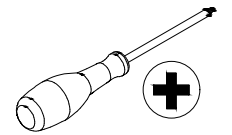
II

8

A x 23



M4x8mm



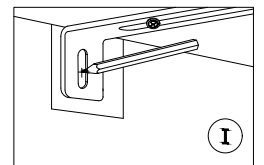
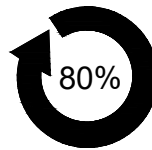
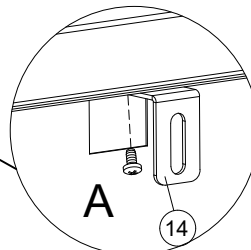
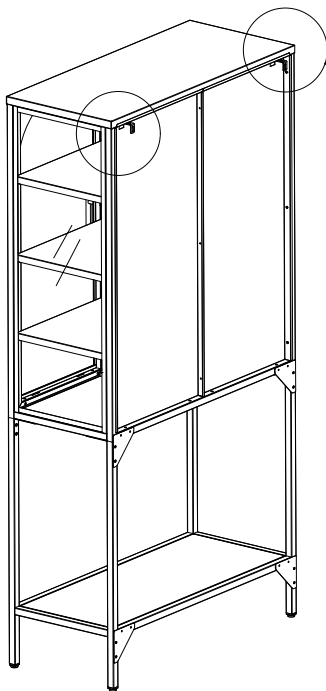
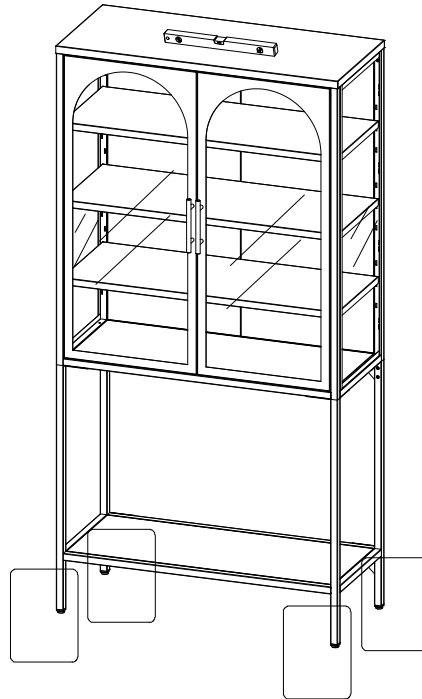
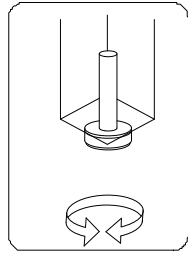
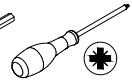
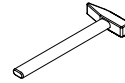
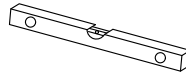
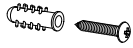
9

A x 2

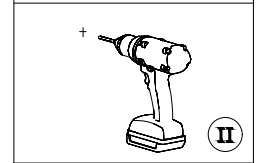


M4x8mm

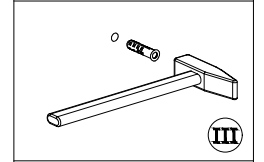
G x 2



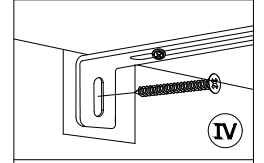
I



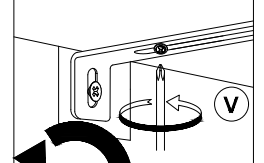
II



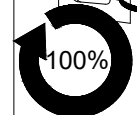
III



IV



V



10

