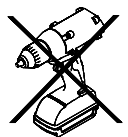
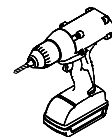
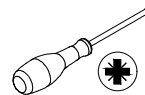
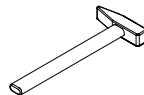
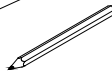
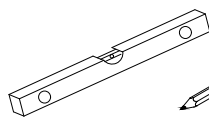
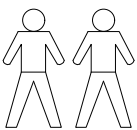
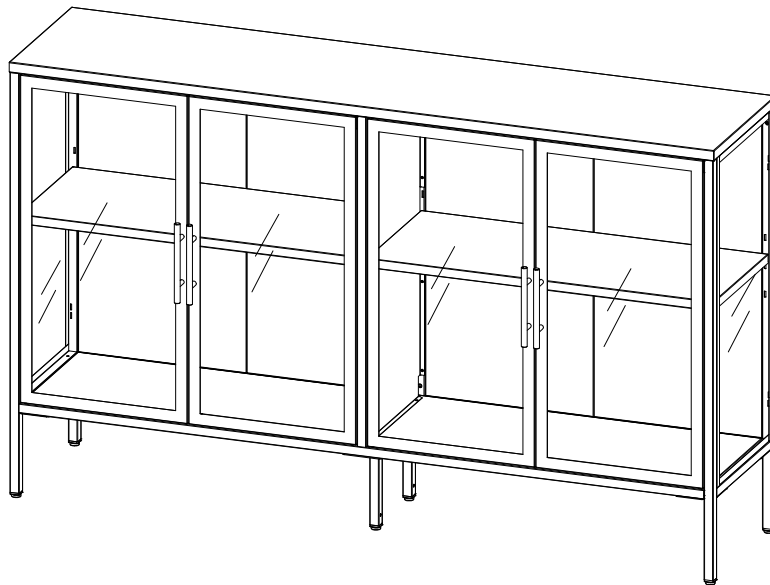
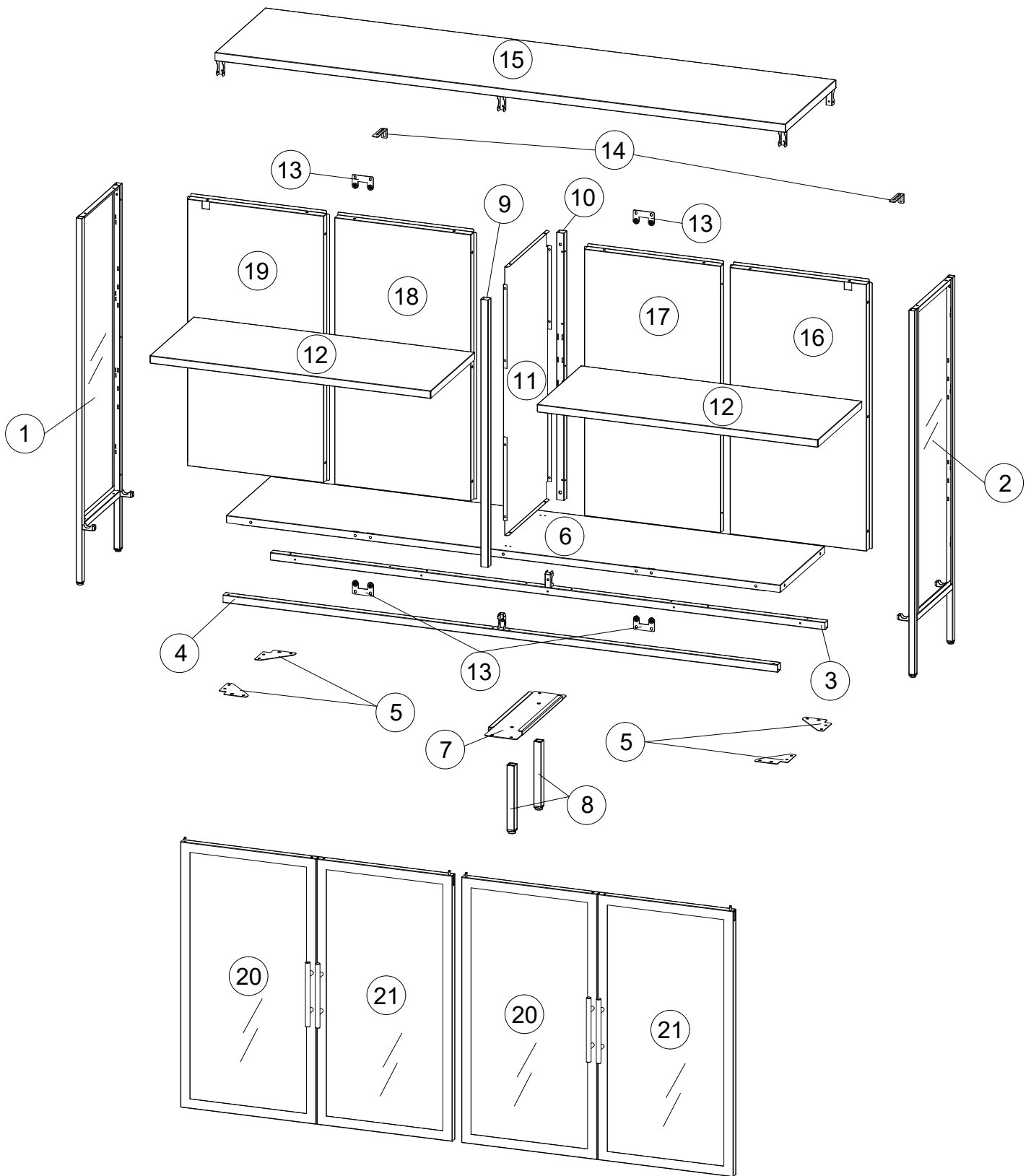


# Assembly Instructions

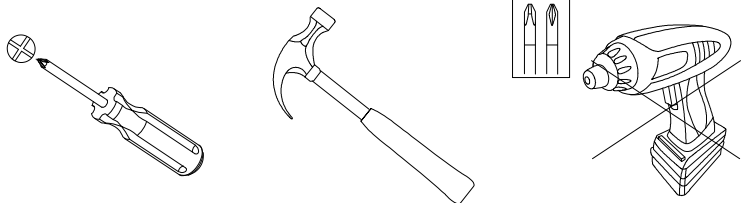
W1673127684/W1673127685/W1673127686

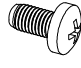
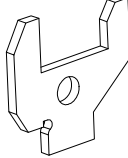
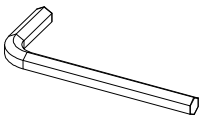
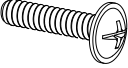


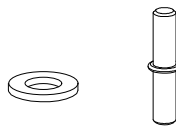
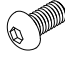
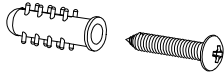
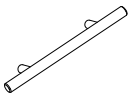




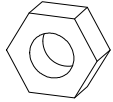
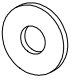
**Box 1/1:**

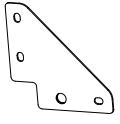
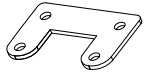
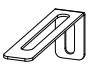
- (1) (2) (3) (4) (5) X4 (6) (7) (8) X2 (9) (10) (11)  
 (12) X2 (13) X4 (14) X2 (15) (16) (17) (18) (19) (20) X2 (21) X2



<p>A (84)</p>  <p>M4*8</p>	<p>B (8)</p> 	<p>C (1)</p>  <p>LØ=64mm</p>	<p>D (8)</p>  <p>M4x22mm</p>
---	--	--	---

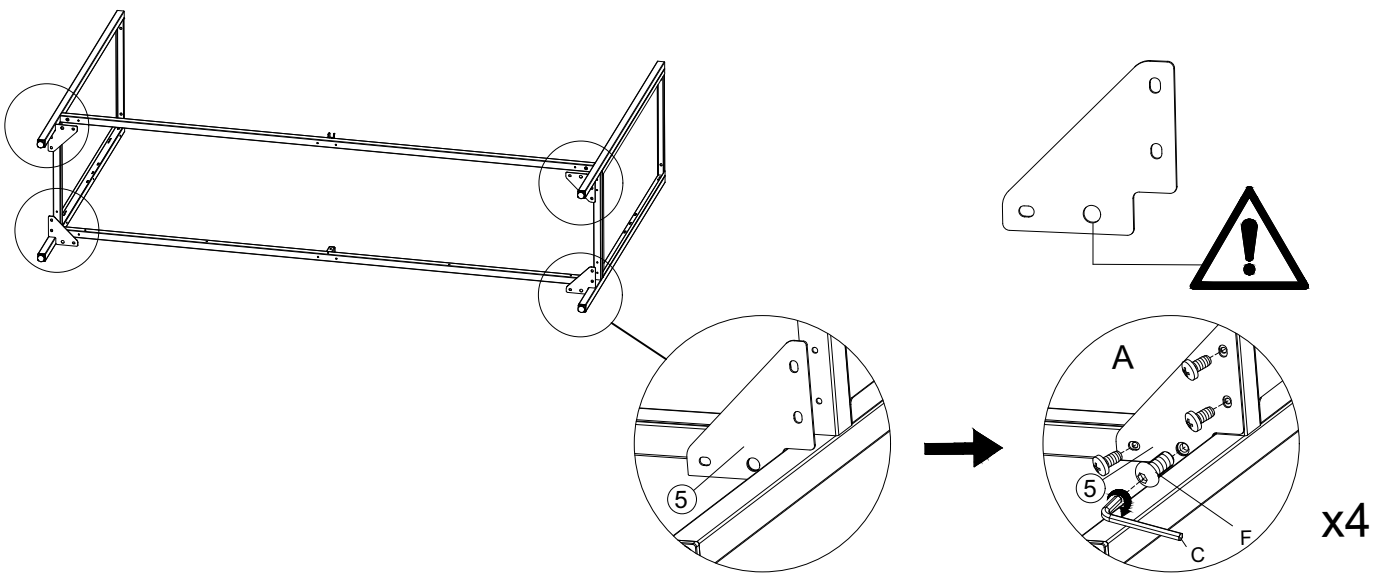
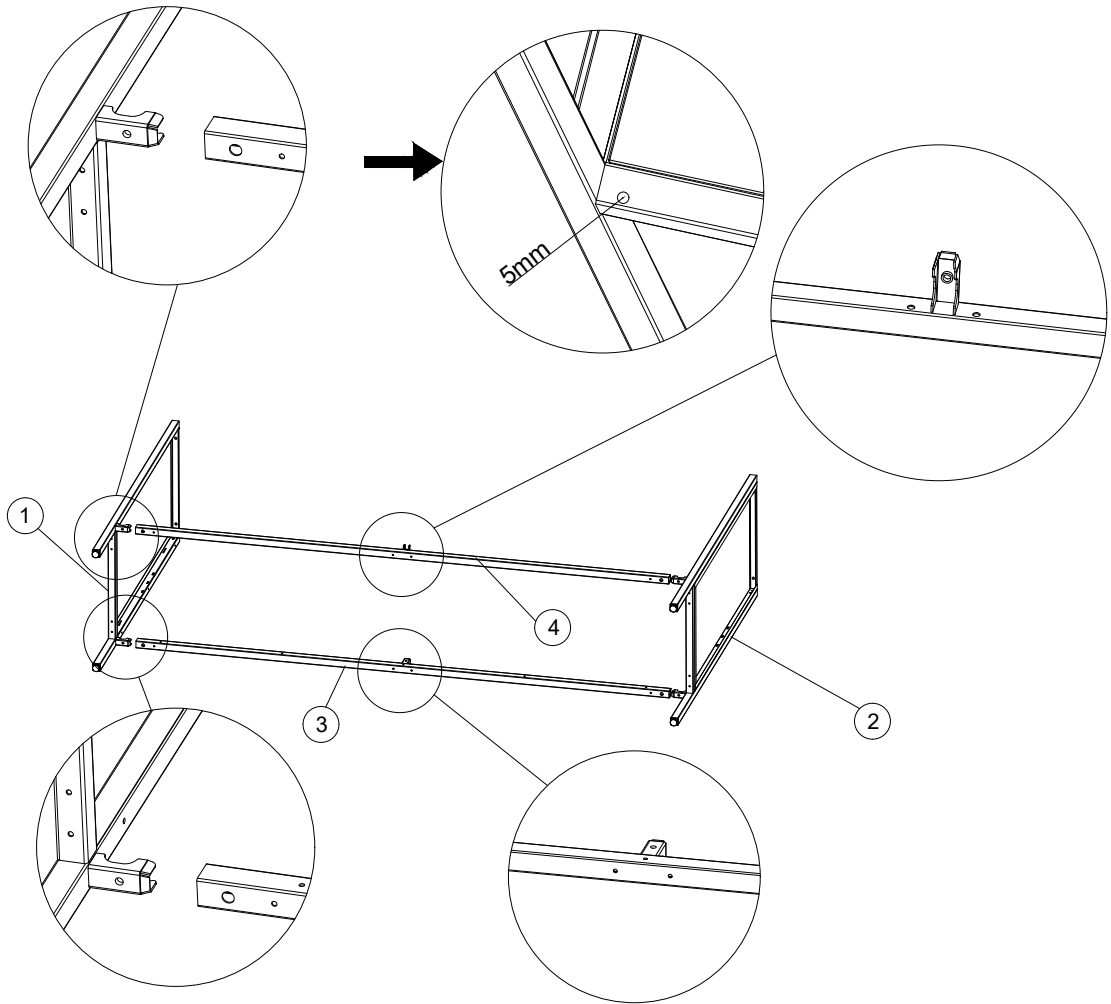
<p>E (2)</p>  <p>Ø4.8</p>	<p>F (8)</p>  <p>M6*10</p>	<p>G (4)</p>  <p>M6*10</p>	<p>H (4)</p> 
---	---	--	--

<p>I (8)</p>			
 <p>M3x8MM</p>	 <p>Ø10</p>	 <p>M3</p>	 <p>M3</p>

<p>5 × 4</p> 	<p>13 × 4</p> 	<p>14 × 2</p> 	
--	---	--	--

1

A x 12  M4x8mm	C x 1 	F x 4  M6x10mm	 
---	--	---	---

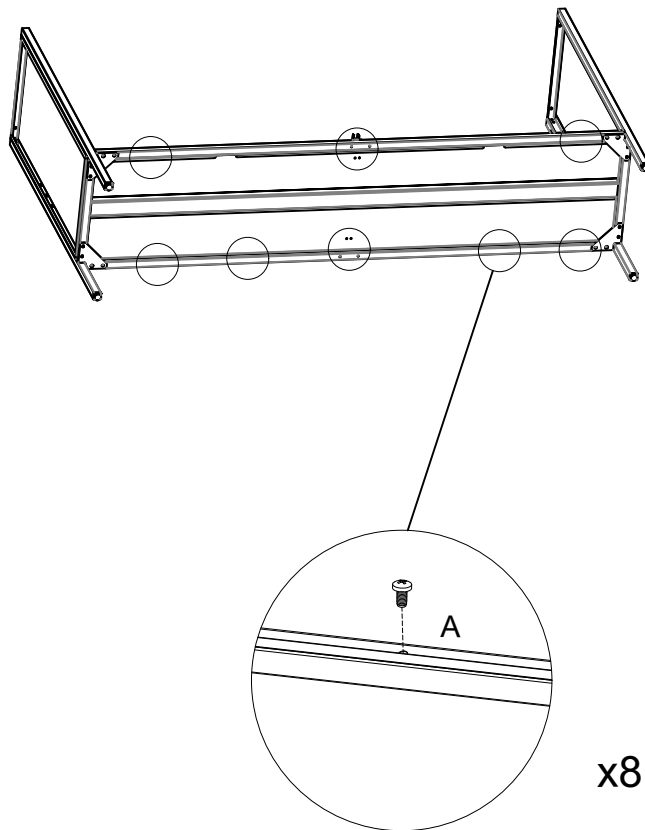
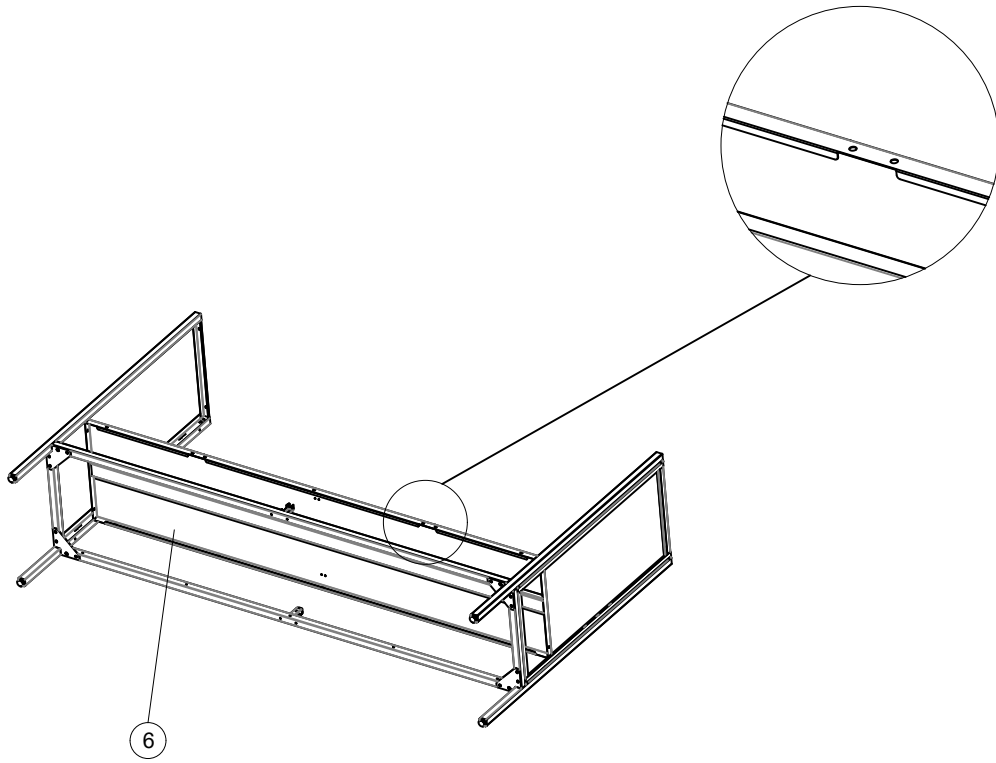
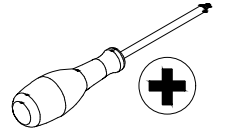


2


A x 8





M4x8mm

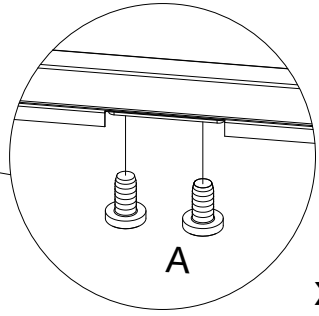
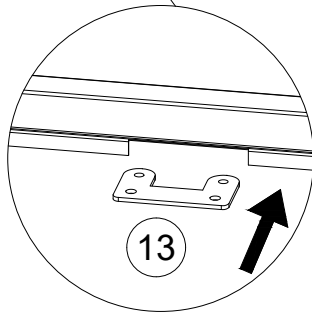
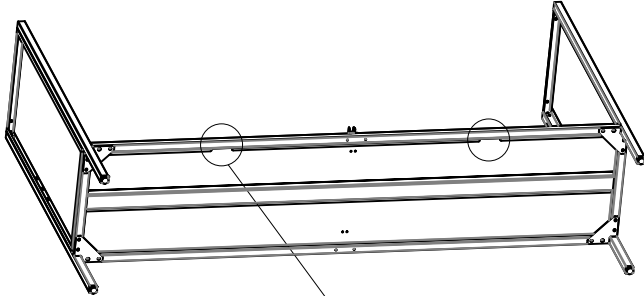
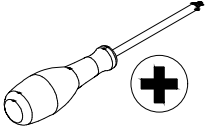


3

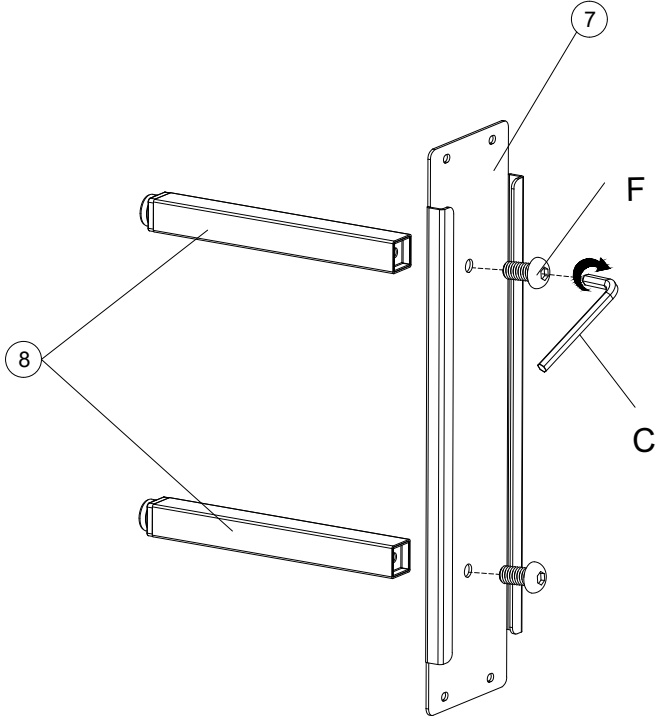
A x 4  
  
M4x8mm

C x 1  


F x 2  
  
M6x10mm



x2

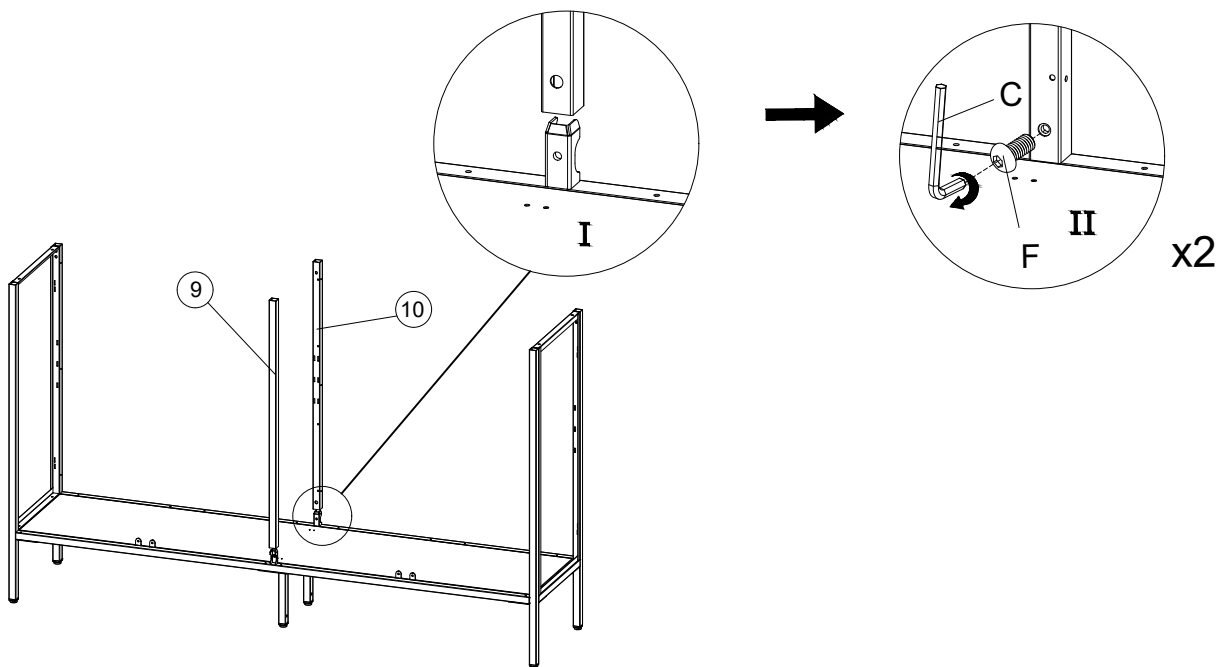
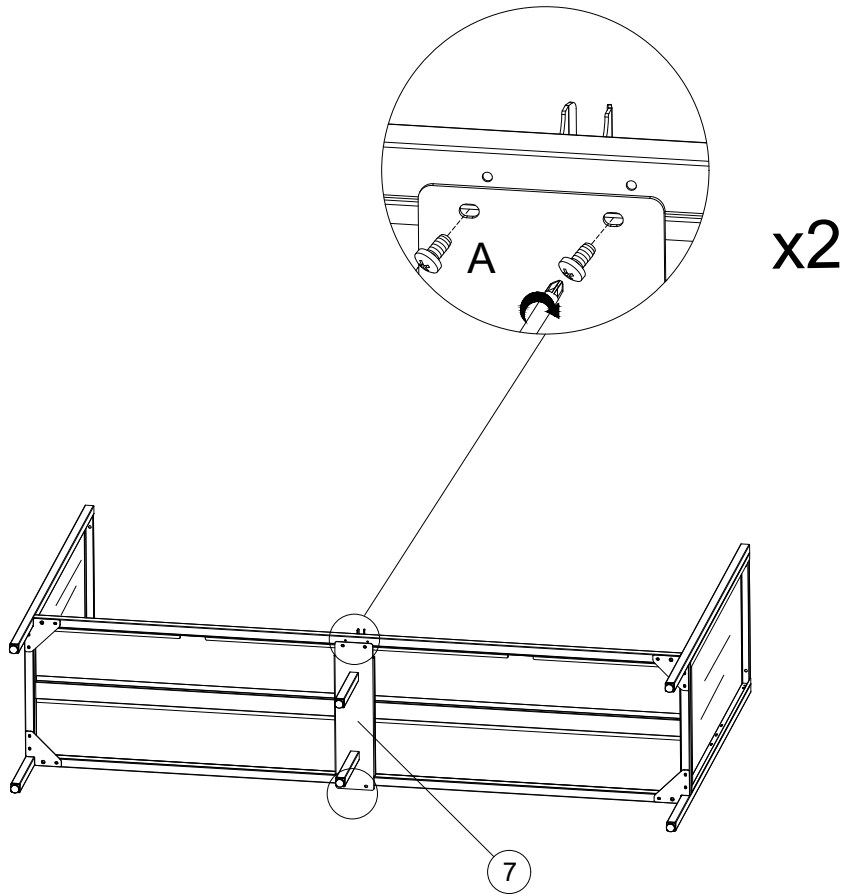
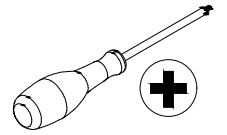


4


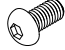
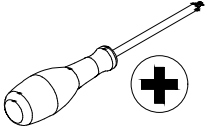
A x 4

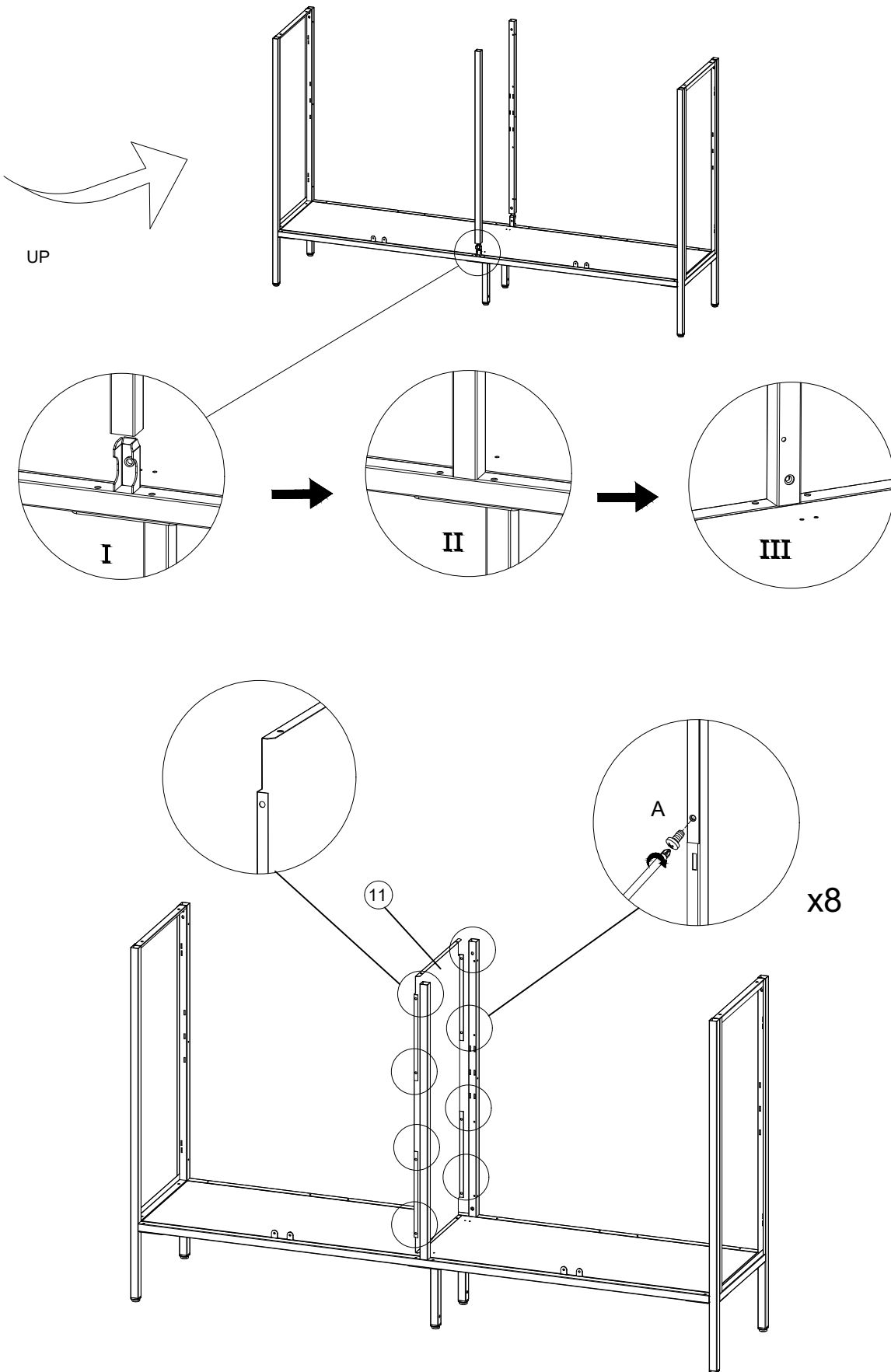


M4x8mm



5

C x 1 	F x 2  M6x10mm	
--	---	---



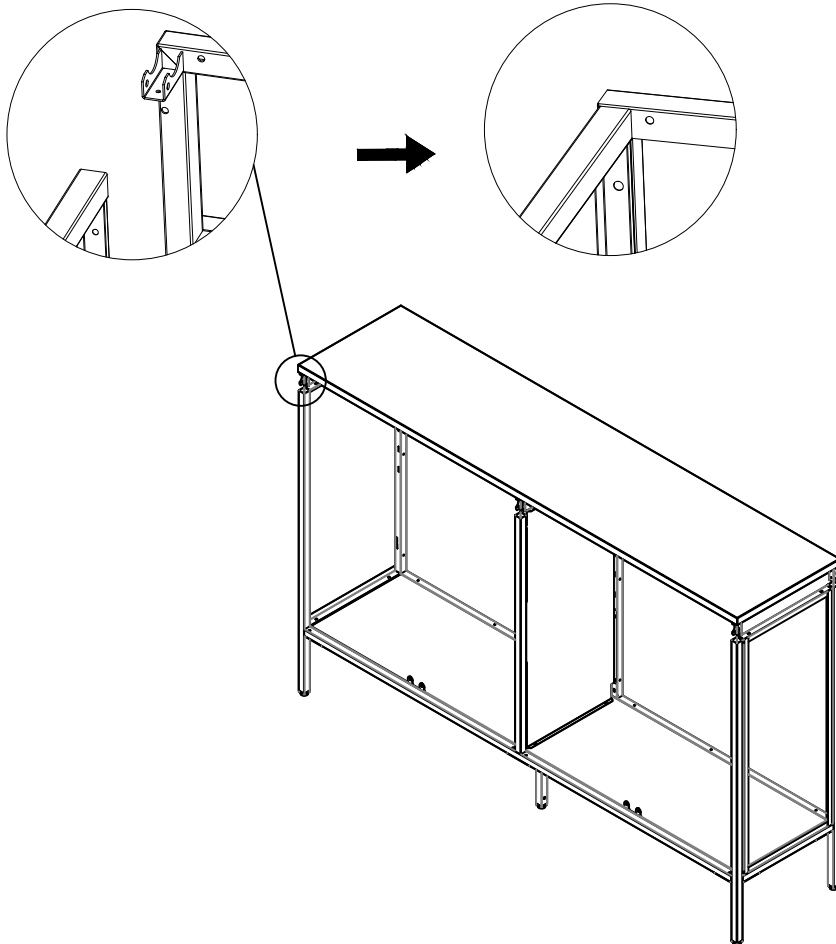
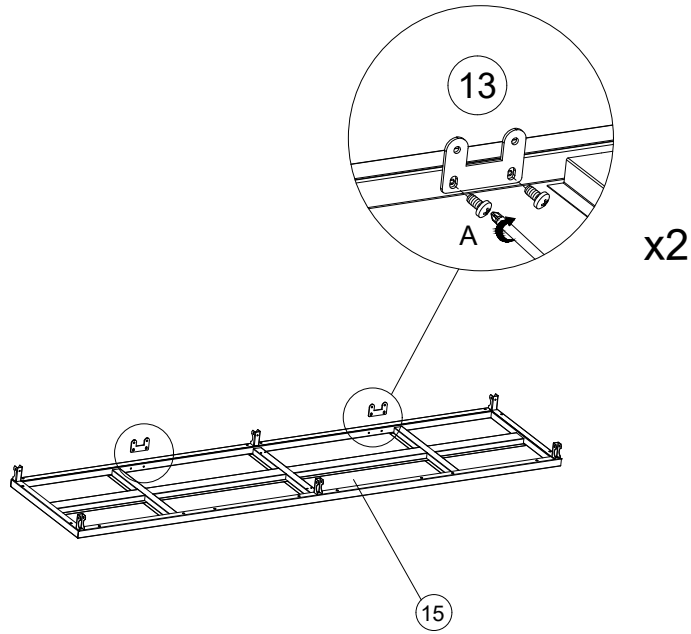
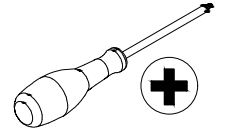


6

A x 12



M4x8mm

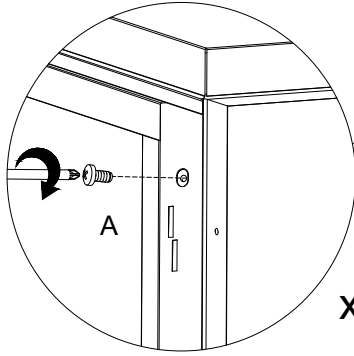
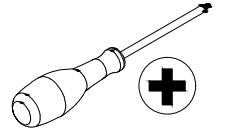


7

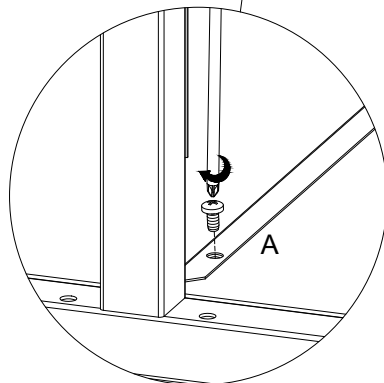
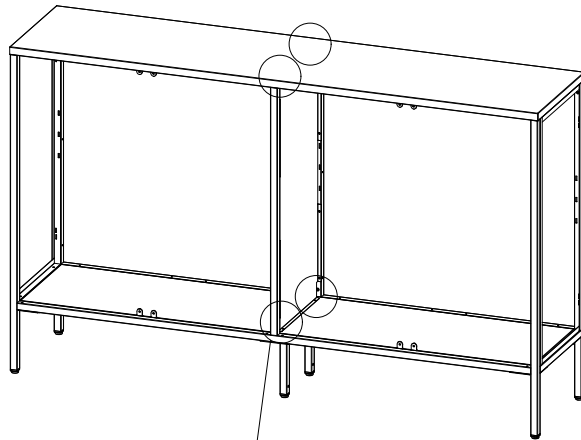
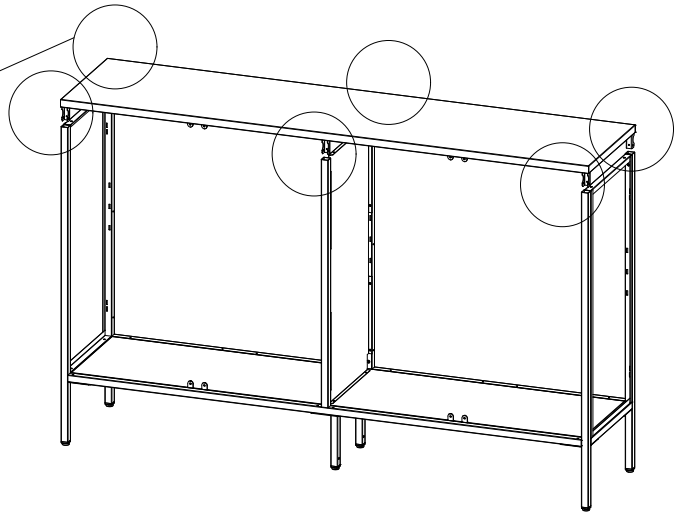
A x 10



M4x8mm



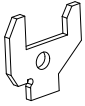
x6



x4

8

B x 8



M3x8mm



M3

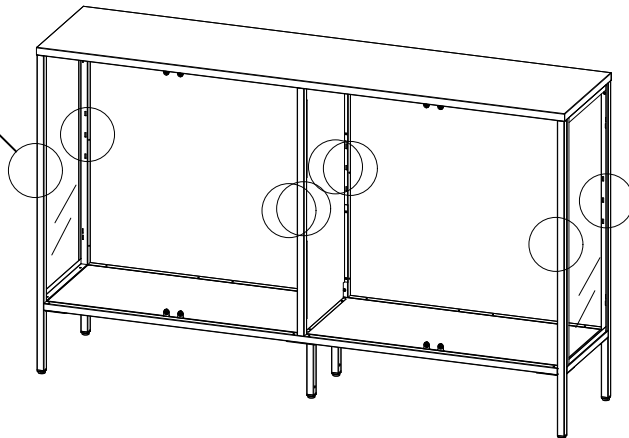
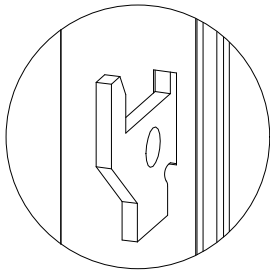
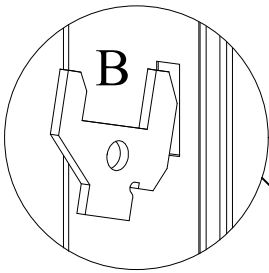
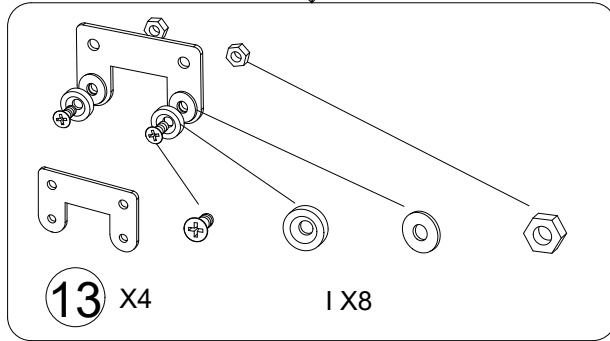
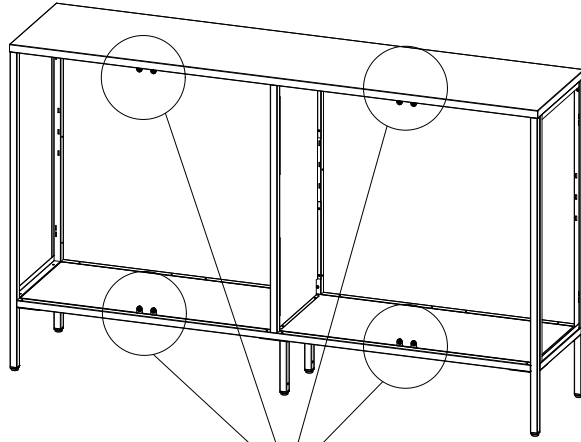
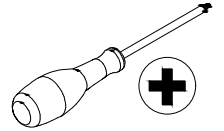


T=3mm



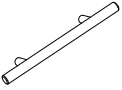
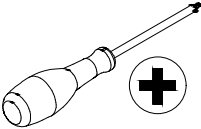


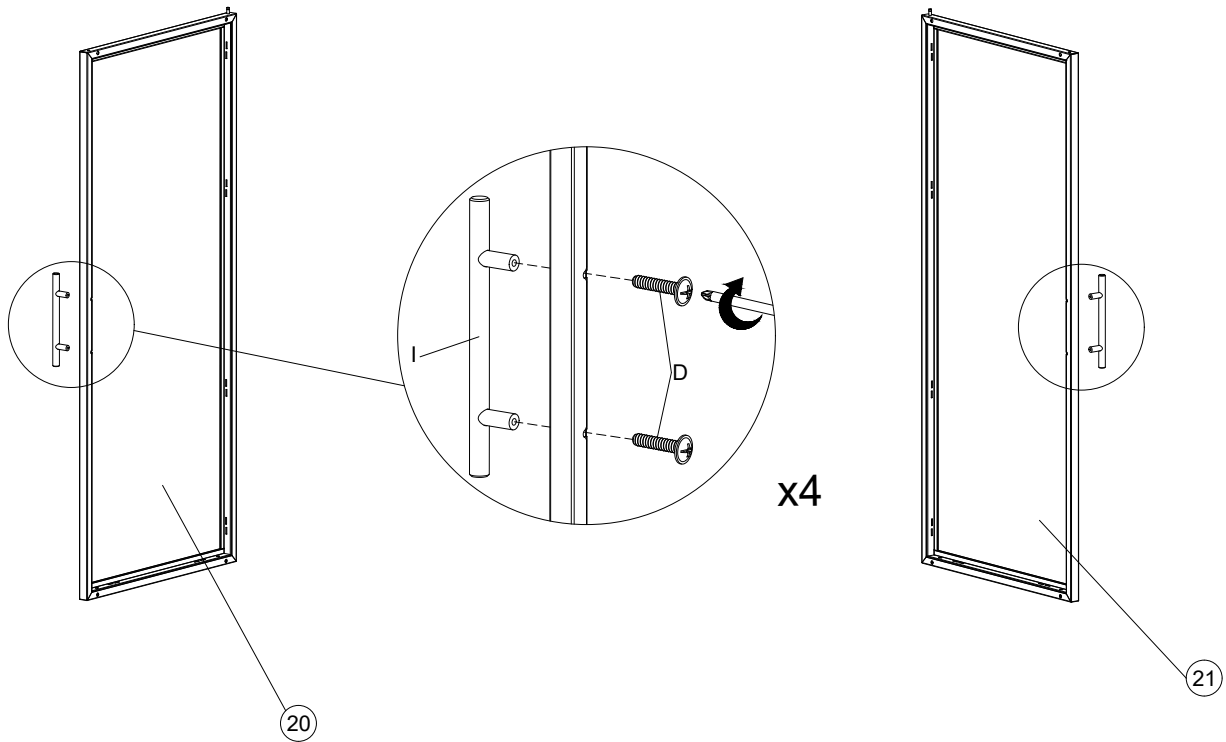
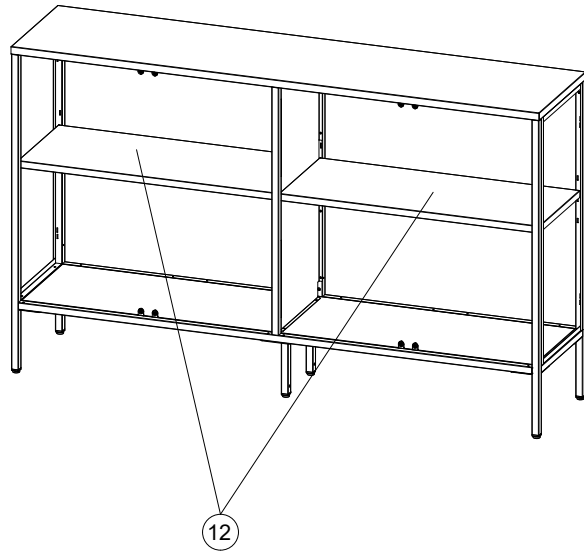
Ø3

1 x 8

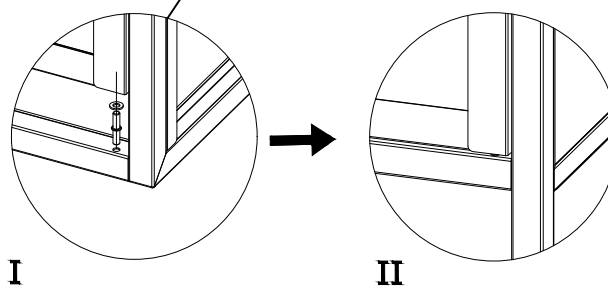
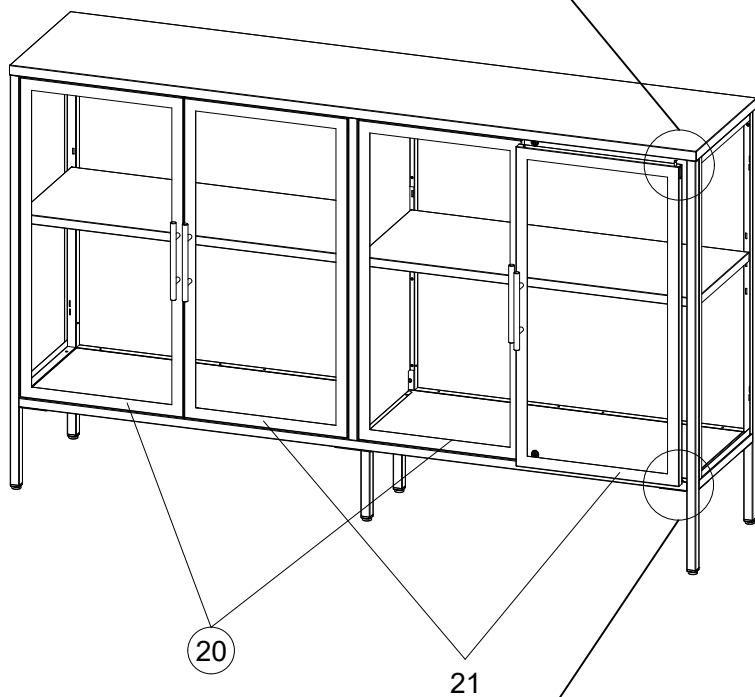
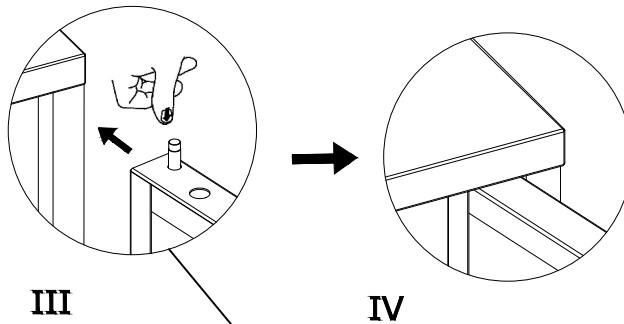
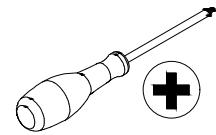


9

<p>D × 8</p>  <p>M4x22mm</p>	<p>E × 4</p>  <p>Ø4.8    Ø5</p>	<p>H × 4</p> 	
---	--	--	---



10

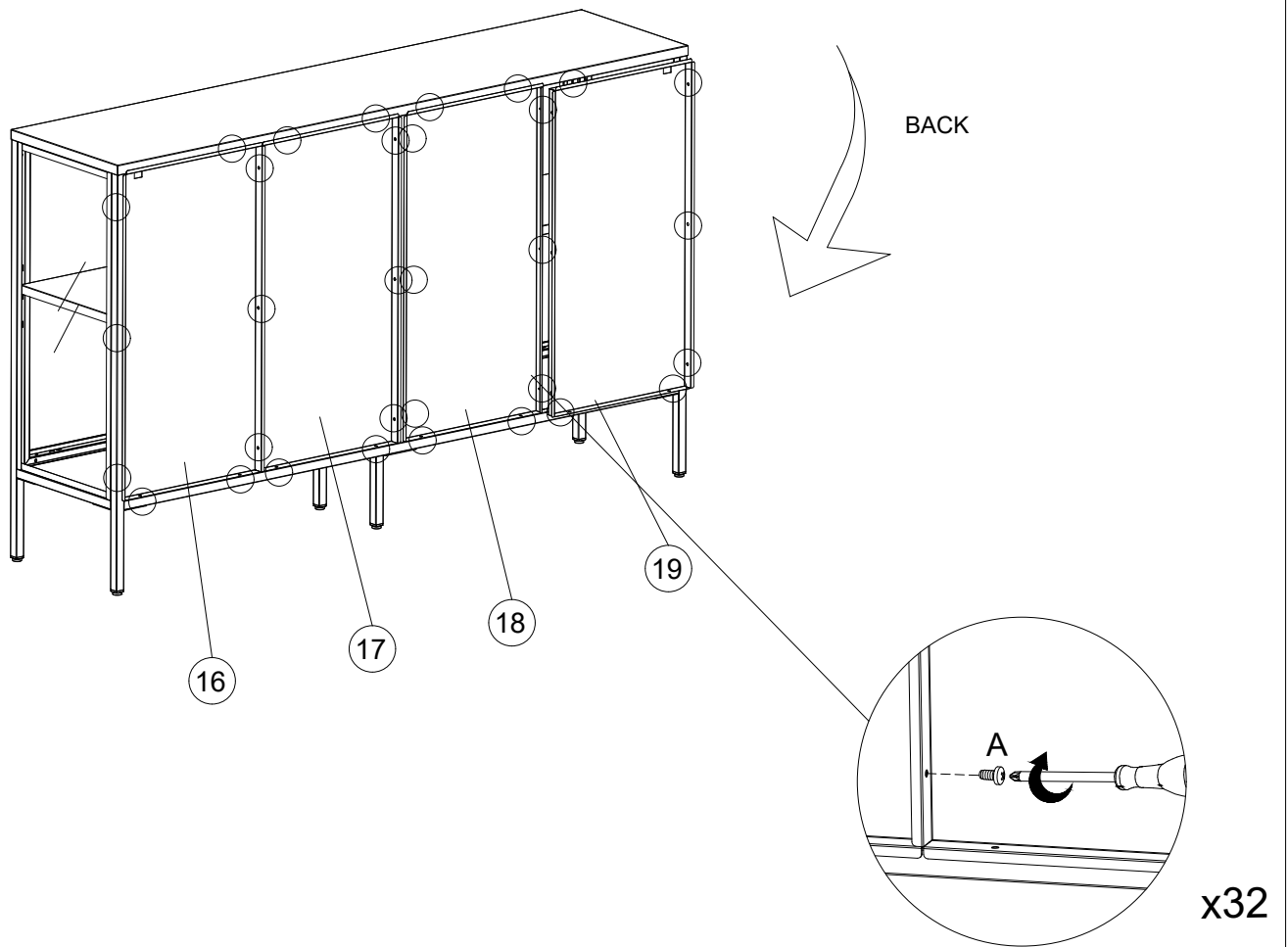
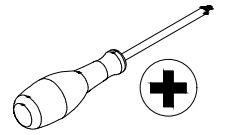


11

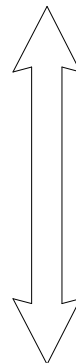
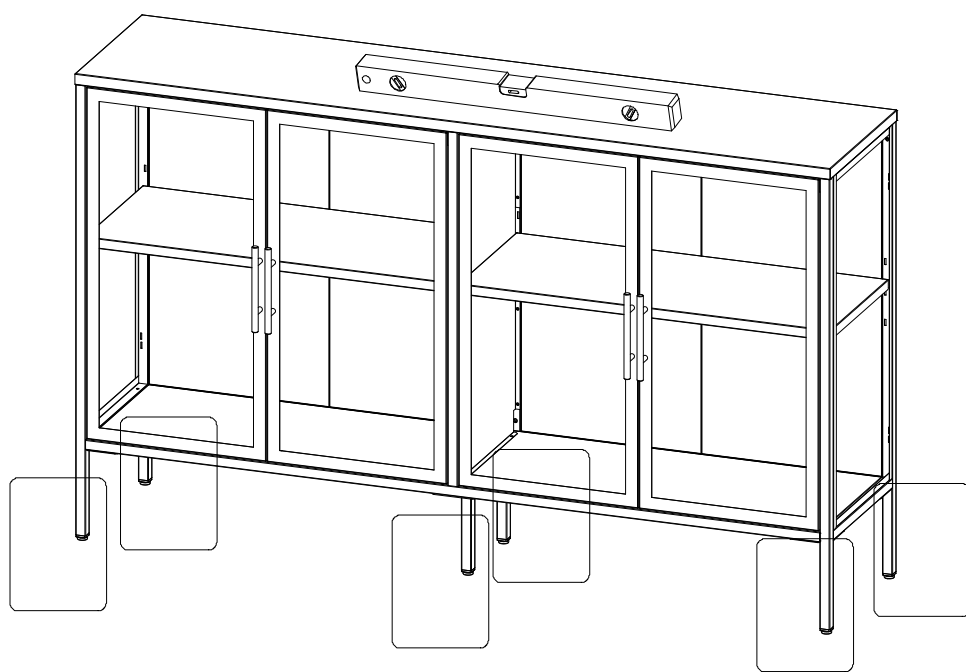
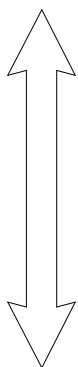
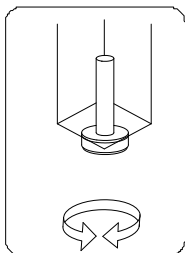
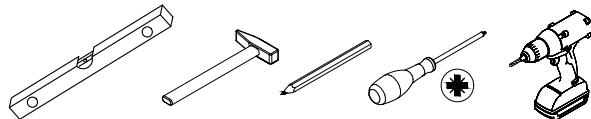
A x 32



M4x8mm



12



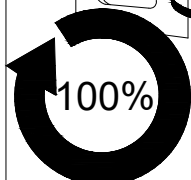
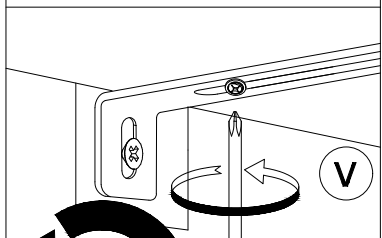
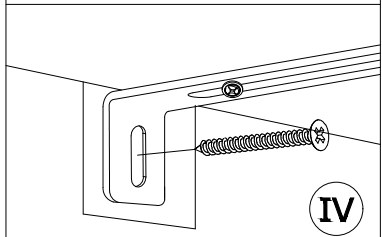
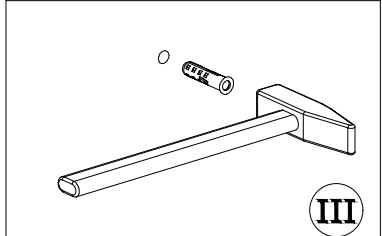
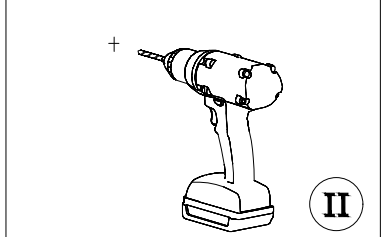
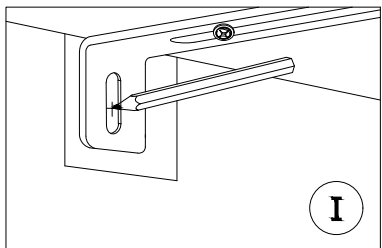
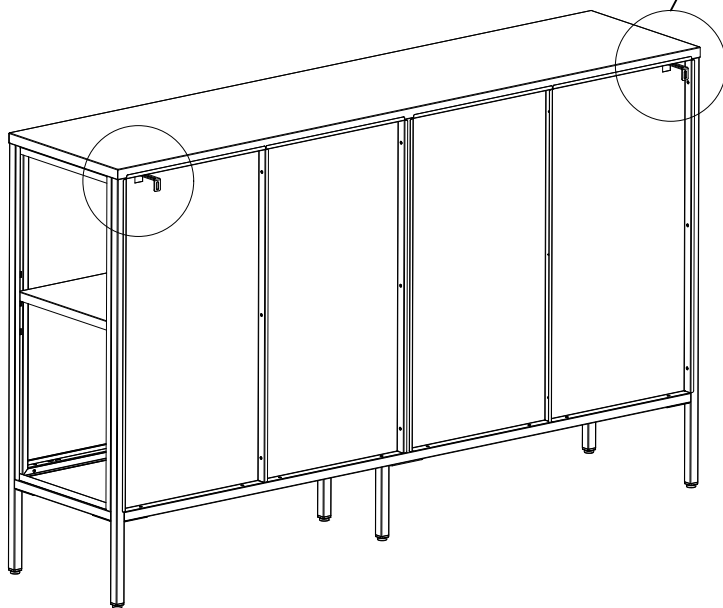
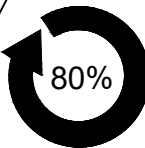
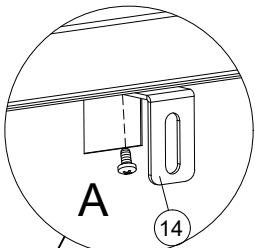
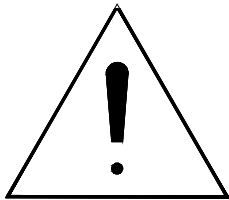
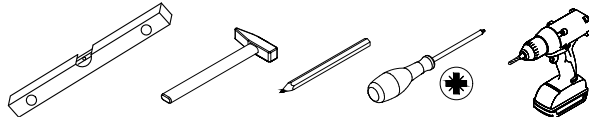
13

A x 2



M4x8mm

G x 2





14

