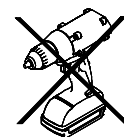
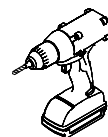
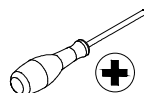
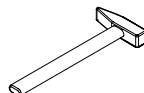
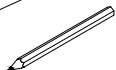
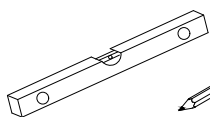
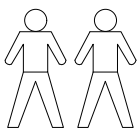
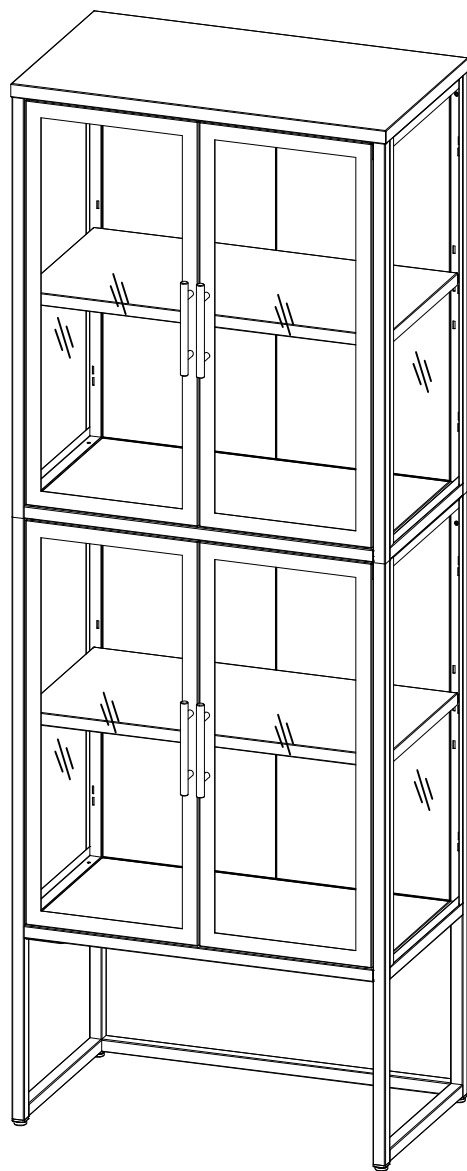
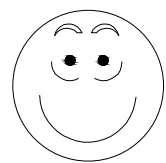
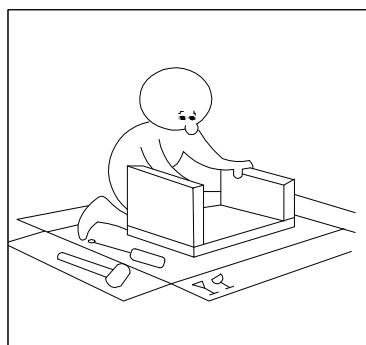
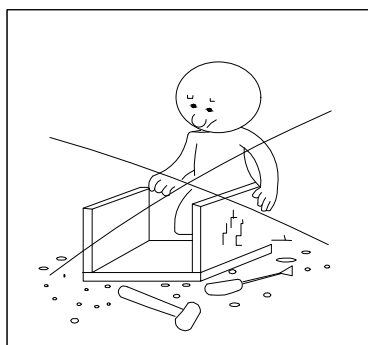
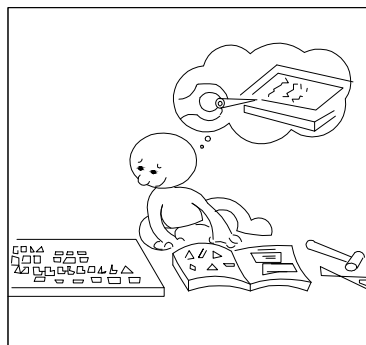
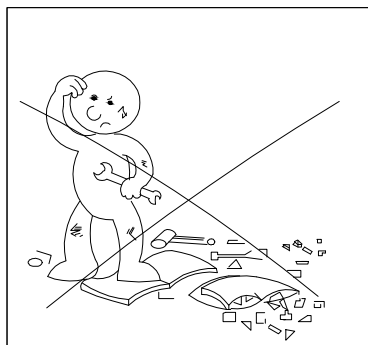
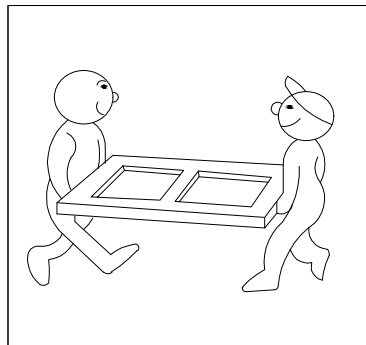
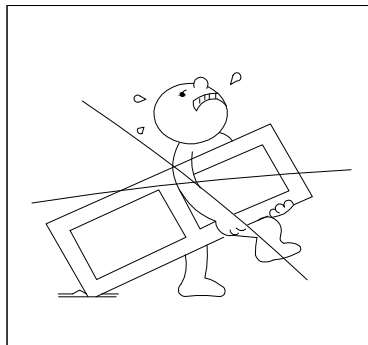
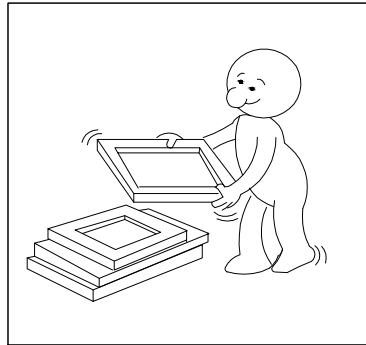
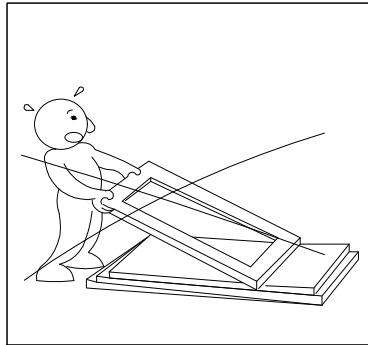
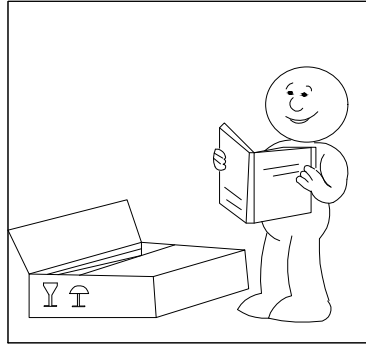
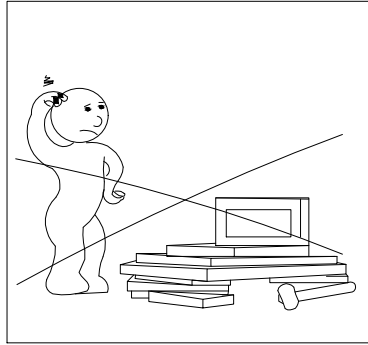
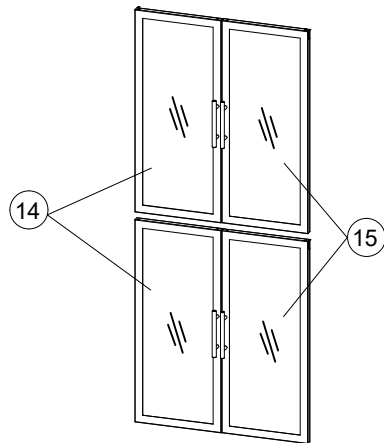
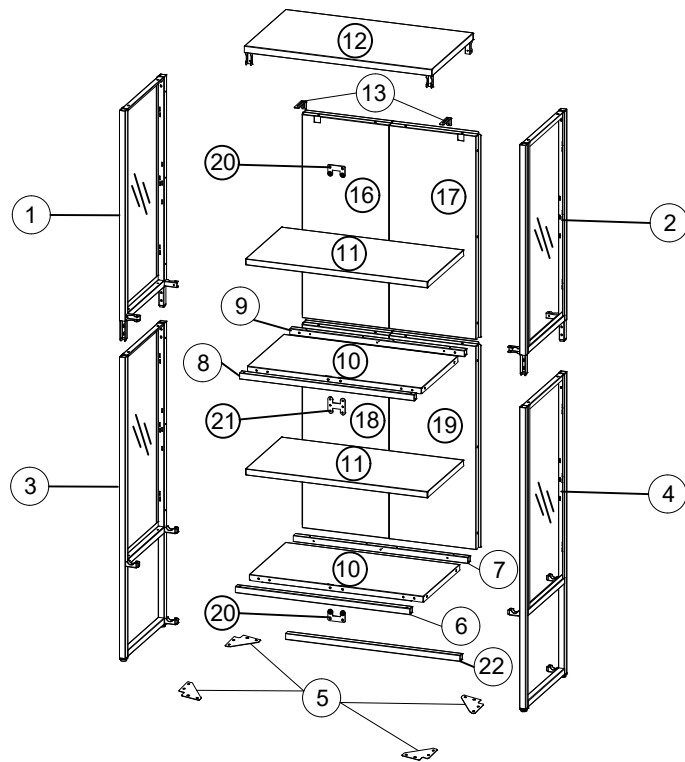


Assembly Instructions

W1673127687/W1673127688/W1673127689

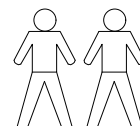



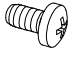
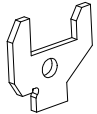
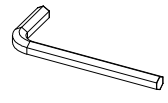



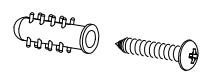





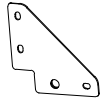







Box 1/1:

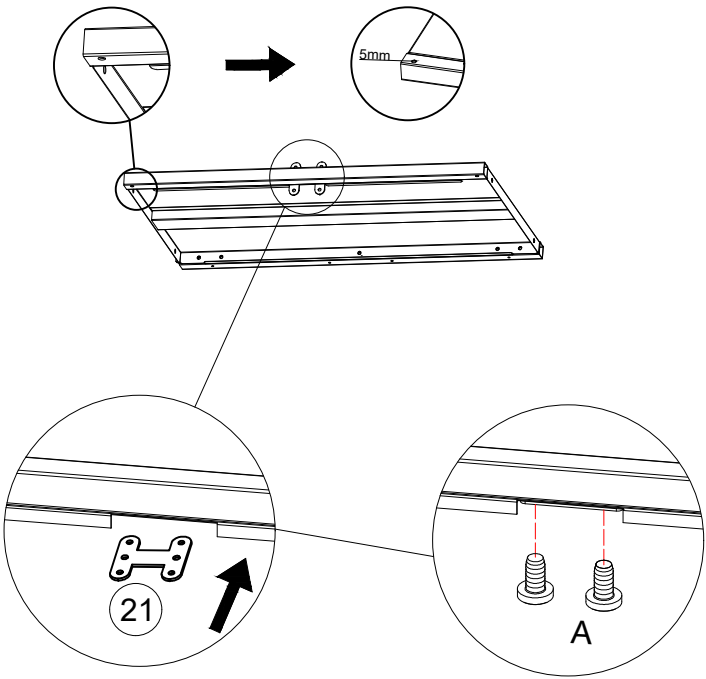
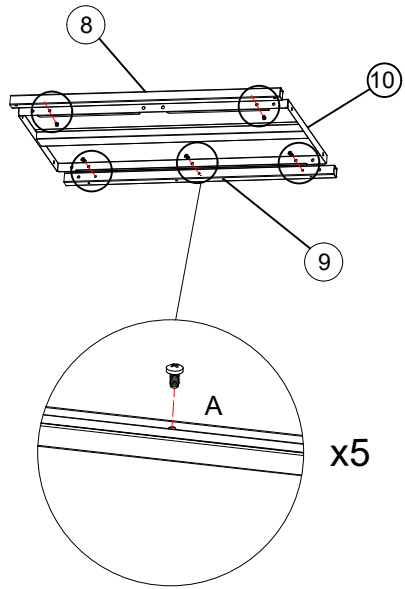
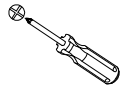
- ① ② ③ ④ ⑤ x4 ⑥ ⑦ ⑧ ⑨ ⑩ x2 ⑪ x2 ⑫
 ⑬ x2 ⑭ x2 ⑮ x2 ⑯ ⑰ ⑱ ⑲ ⑳ x2 ㉑ ㉒



			
A (78)  M4x8mm	B (8) 	C (1) 	D (8)  M4x22mm
E (4)  96mm	F (6)  M6x10mm	G (2) 	H (4)  Ø4.8
I (8)			
 M3x8mm	 Ø10	 M3	 M3
5 × 4 	13 × 2 	20 × 2 	21 

1

A (7)
M4x8mm

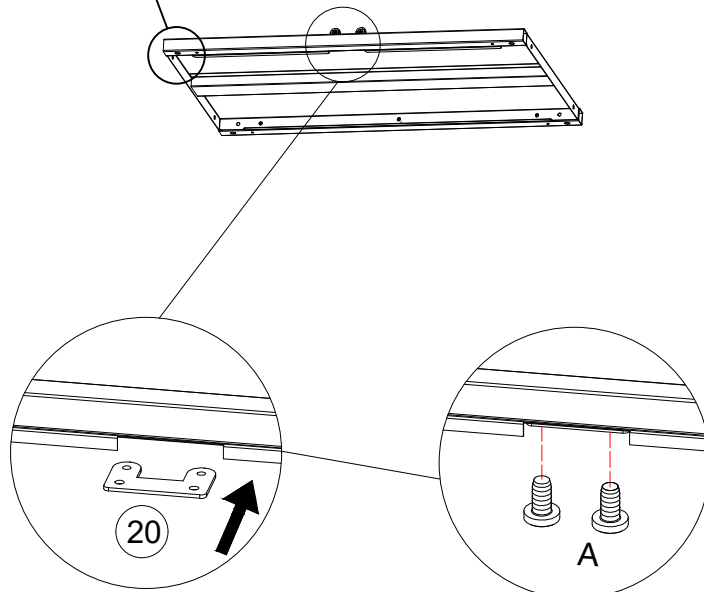
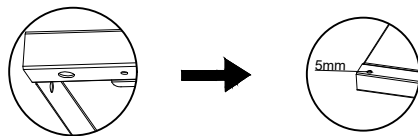
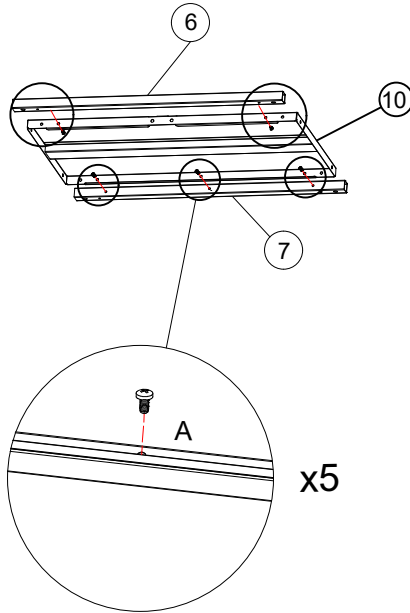
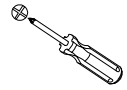


2

A (7)



M4x8mm

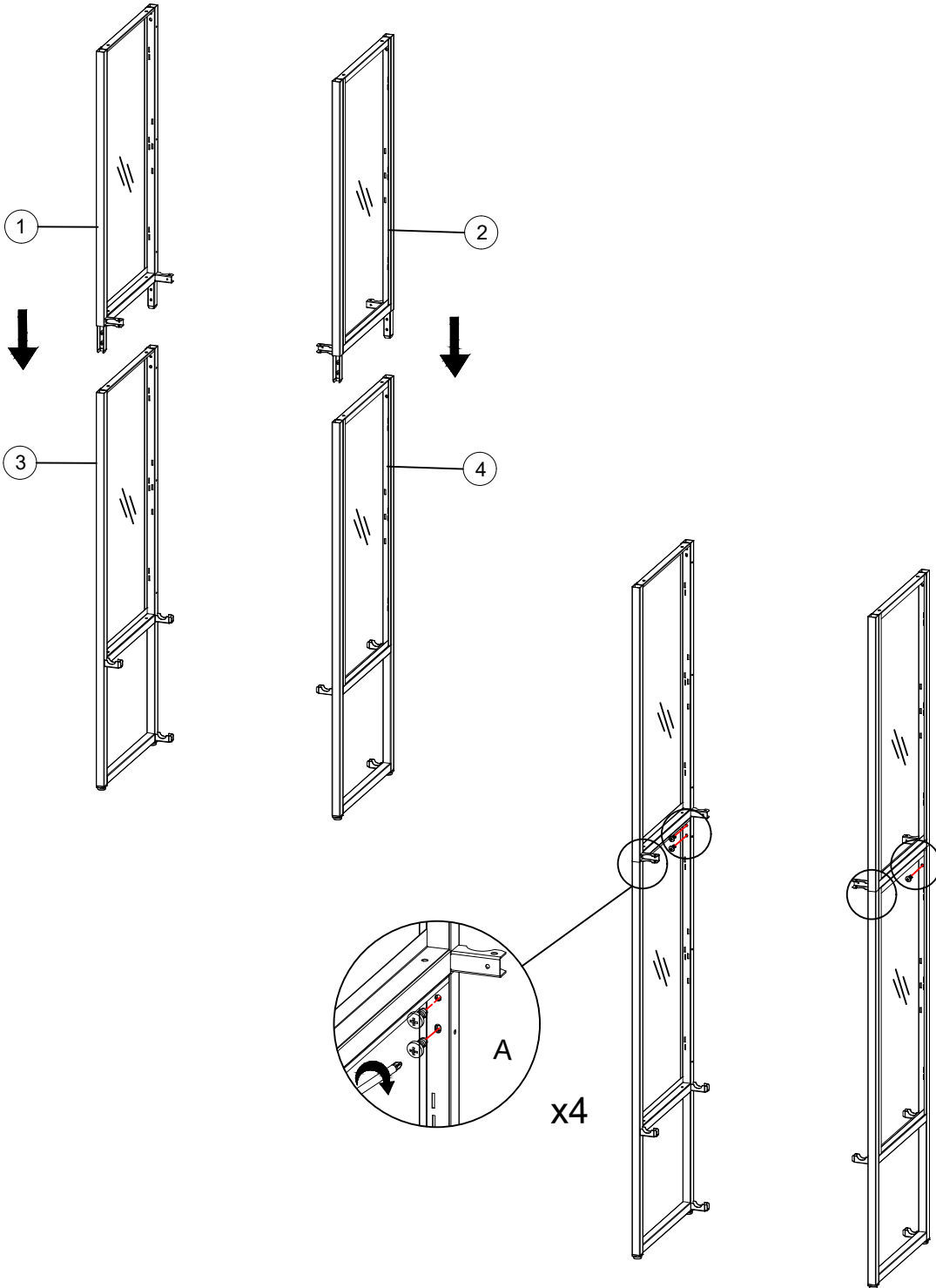
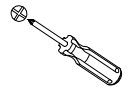


3

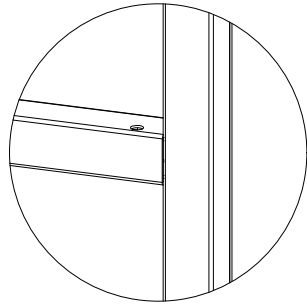
A (8)



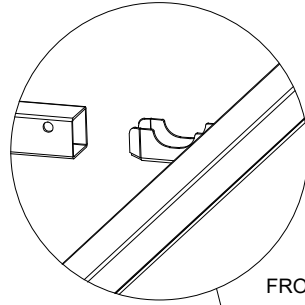
M4x8mm



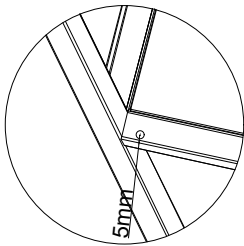
4



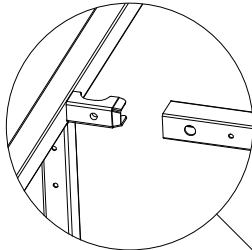
FROM TOP VIEW



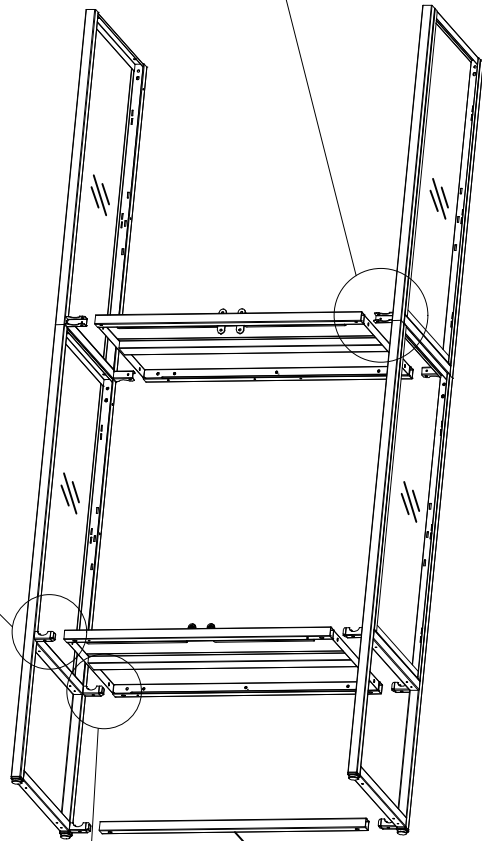
FROM THE BOTTOM VIEW



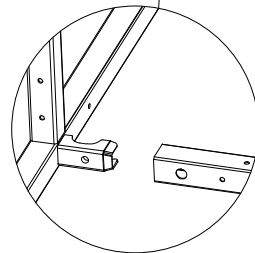
FROM TOP VIEW






FROM THE BOTTOM VIEW

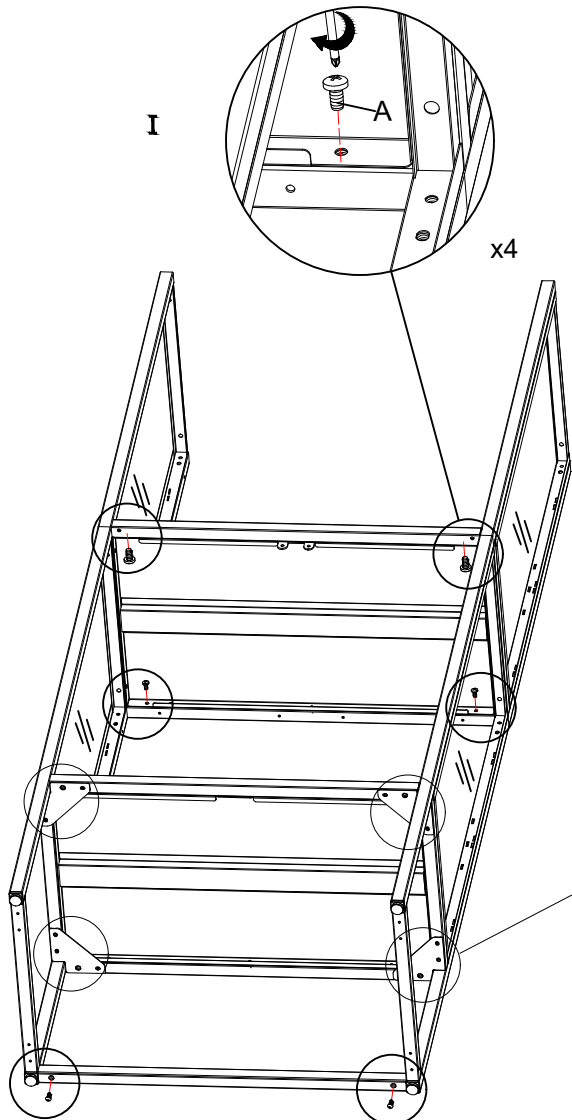
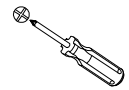


22



5

A (16)  M4x8mm	C (1) 	F (6)  M6x10mm
---	--	---

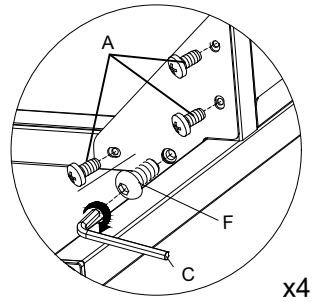


I

x4

II

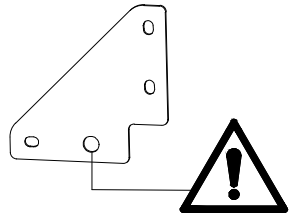
5



x4

III

x2

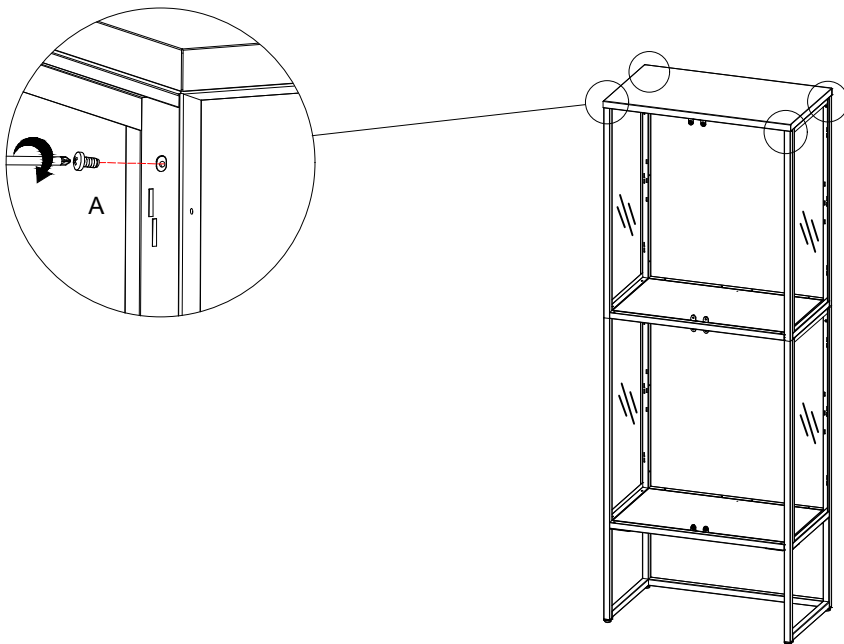
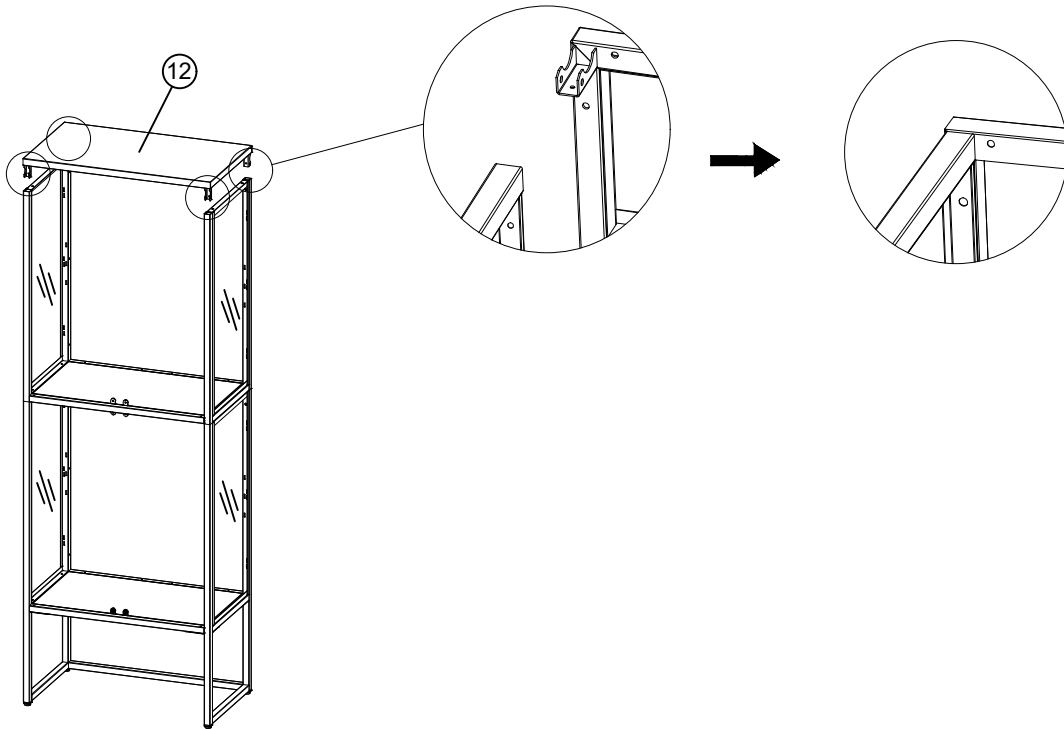
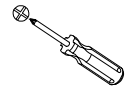


6





A (4)

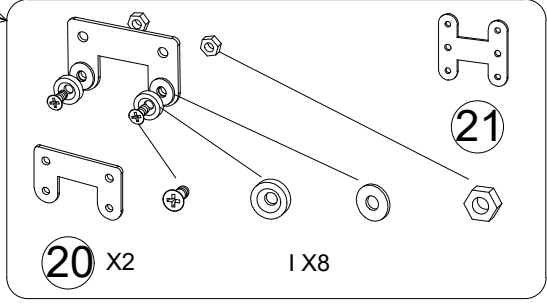
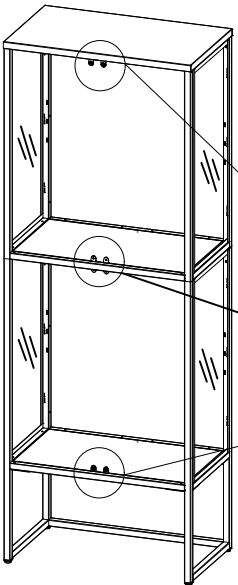
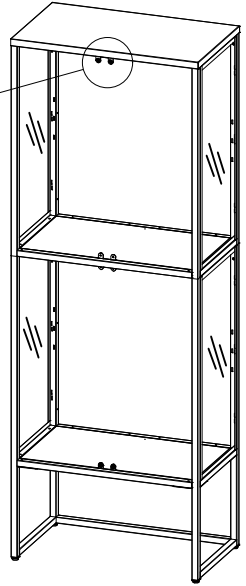
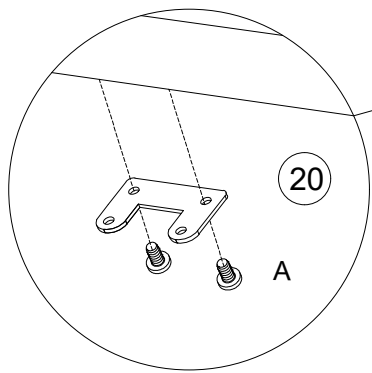


M4x8mm



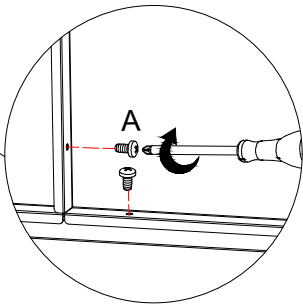
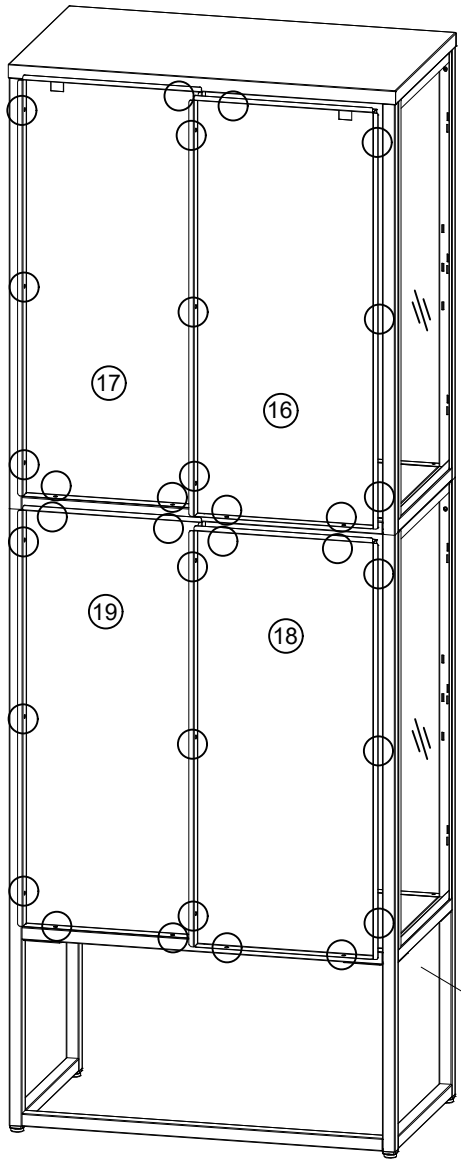
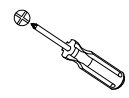
7

			
M3x8mm	M3	Ø10	M3



8

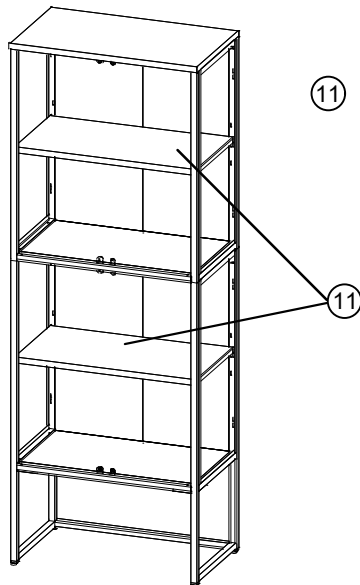
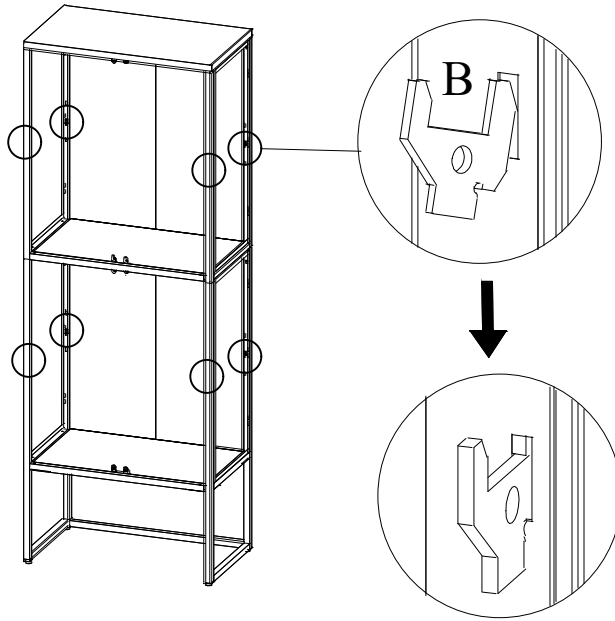
A (32)
M4x8mm



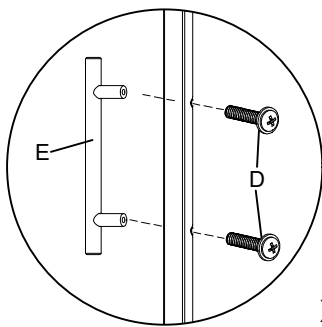
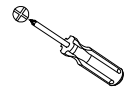
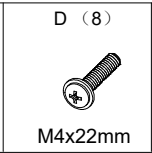
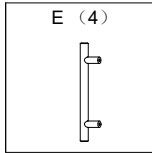
x32

9

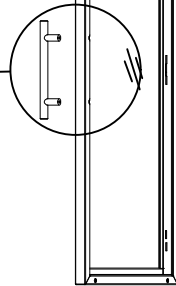
B (8)



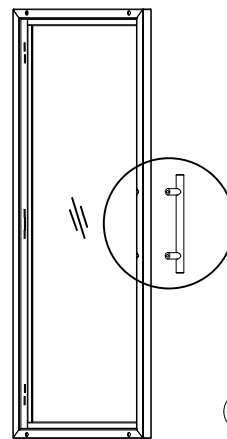
10



x4



14 x2



15 x2

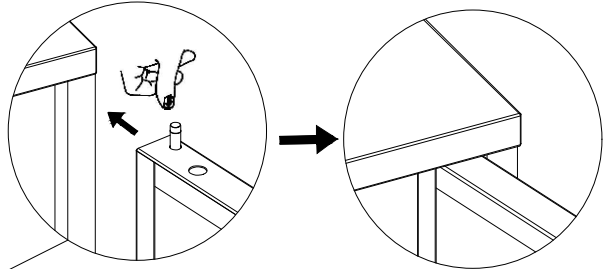
11

H (4)

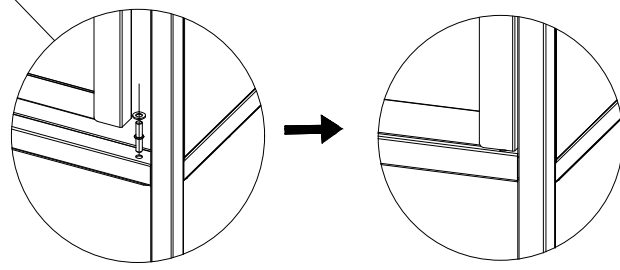
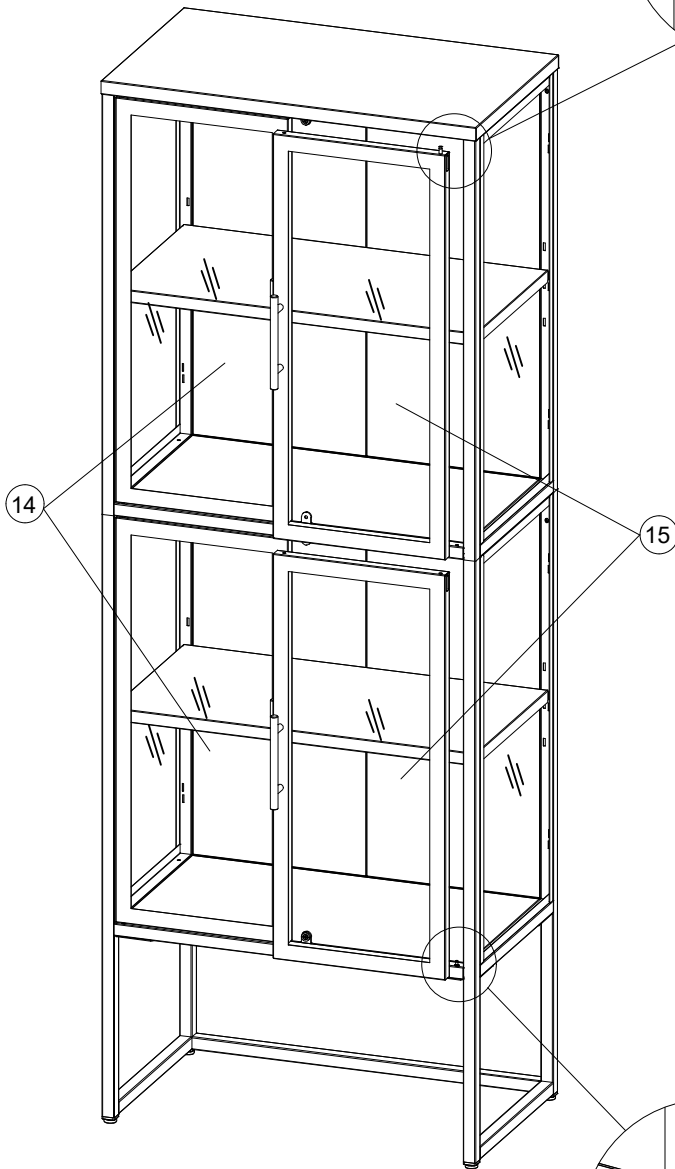


Ø4.8

Ø5

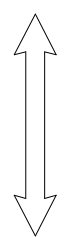
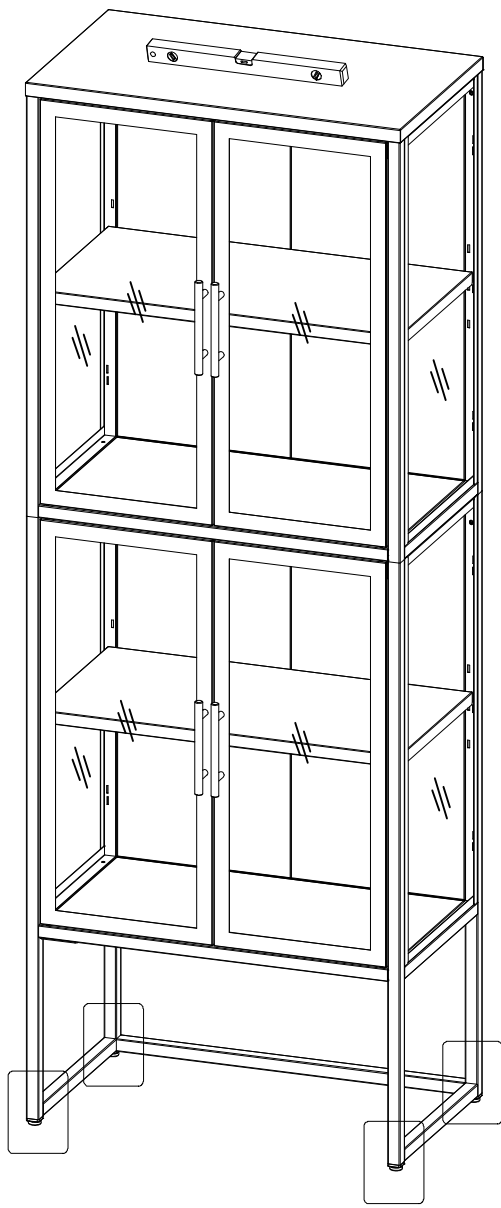
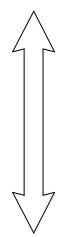
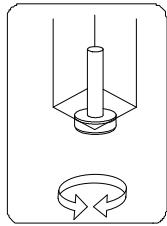
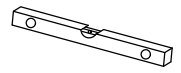


II



I

12



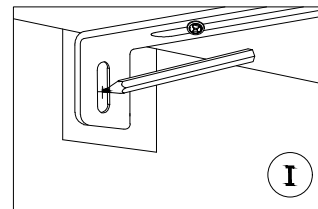
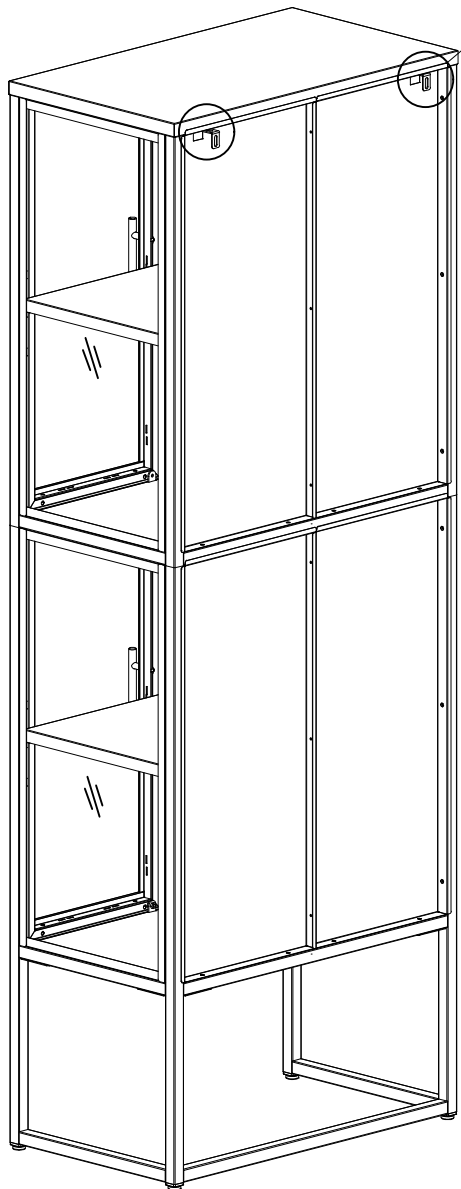
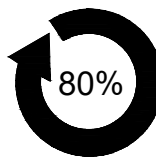
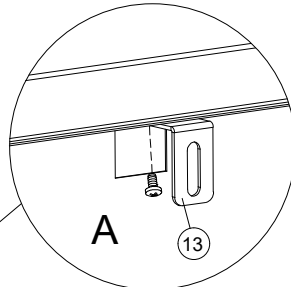
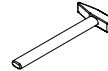
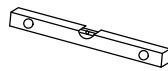
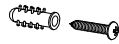
13

A (2)

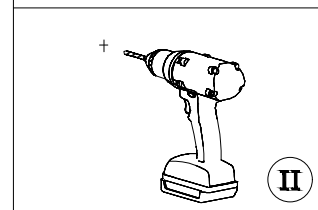


M4x8mm

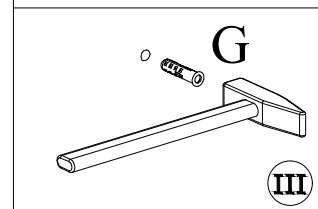
G (2)



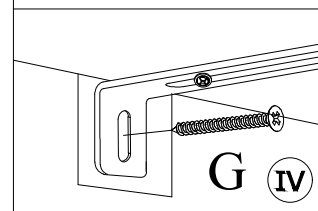
I



II

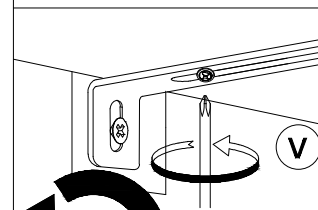


III

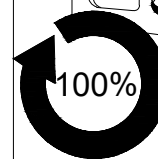


G

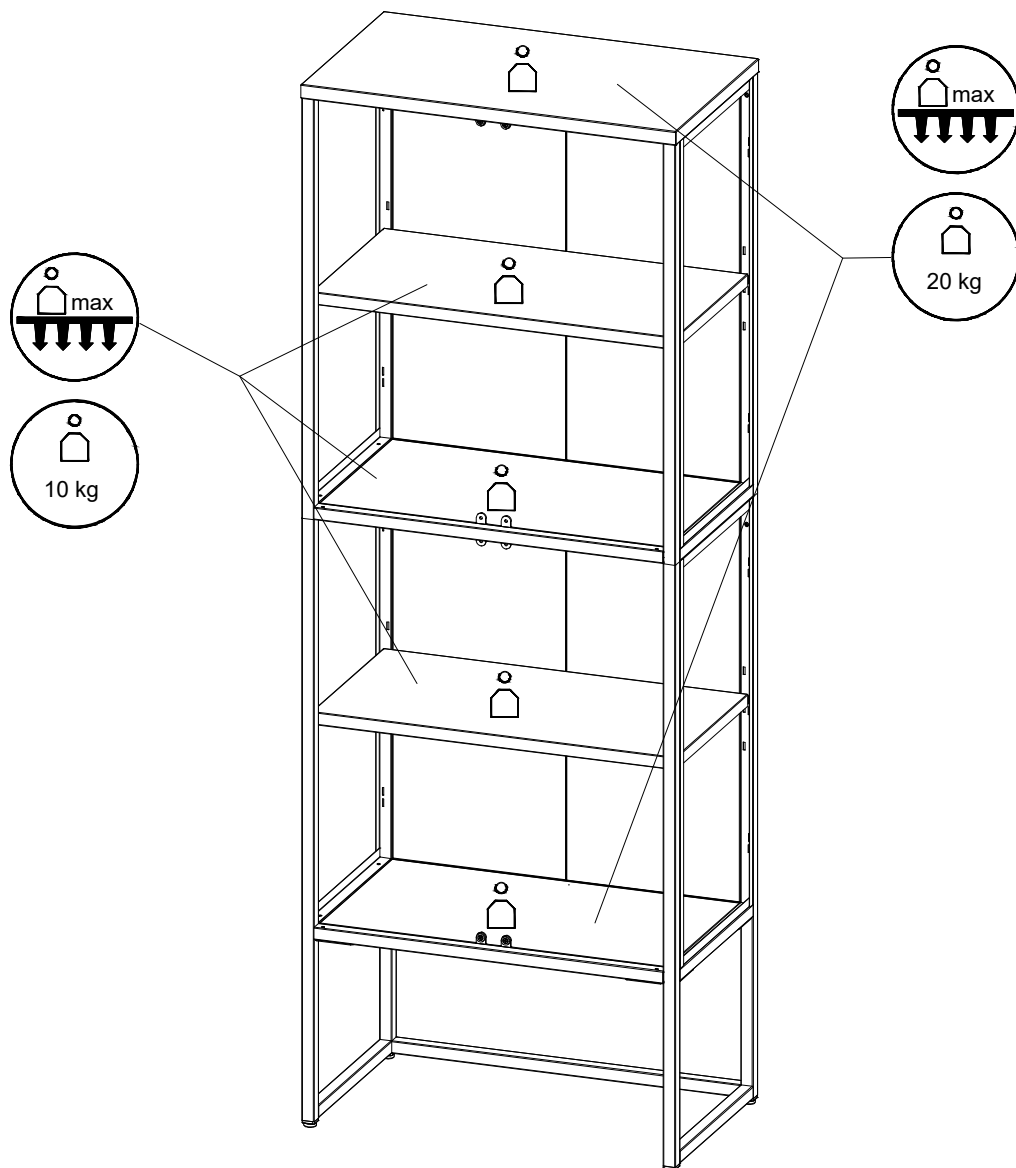
IV



V



14



15

