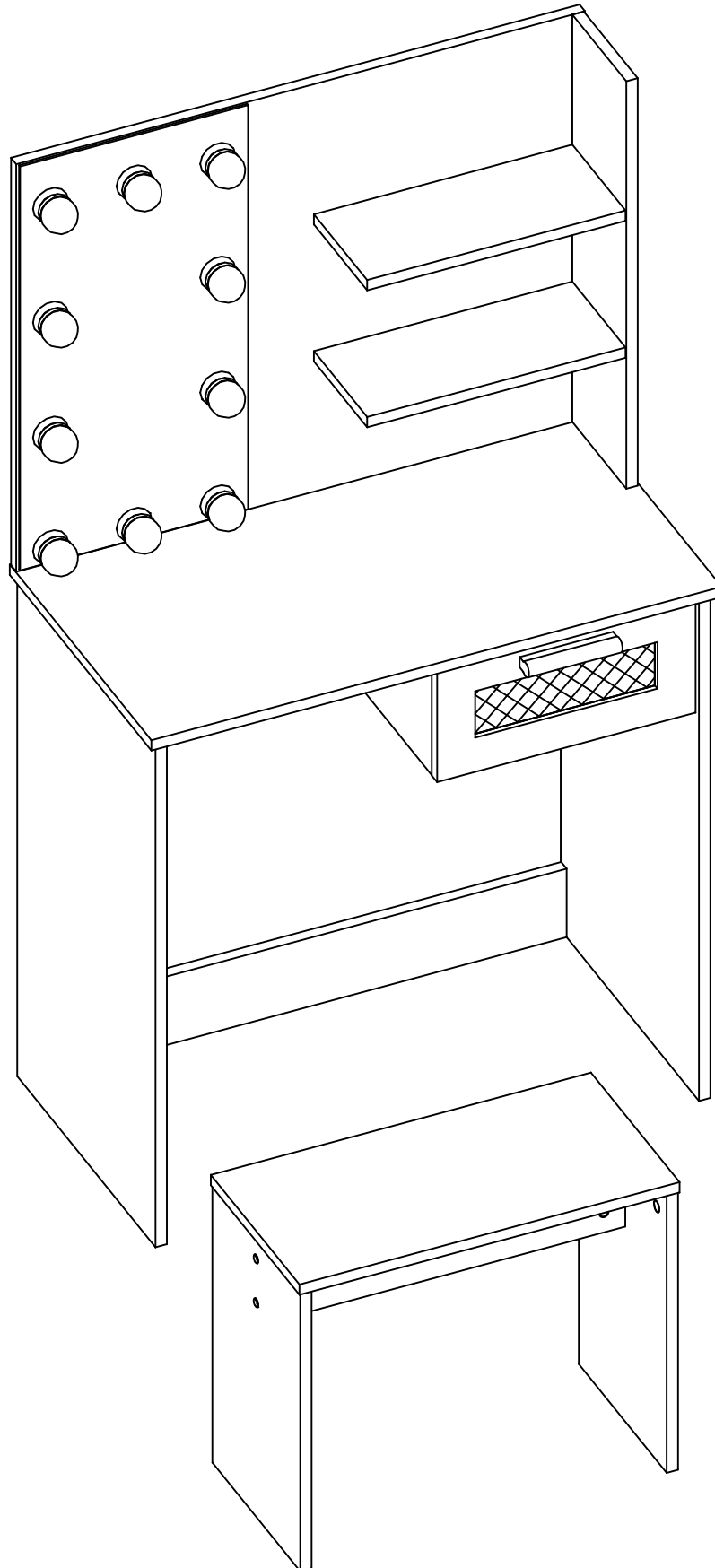
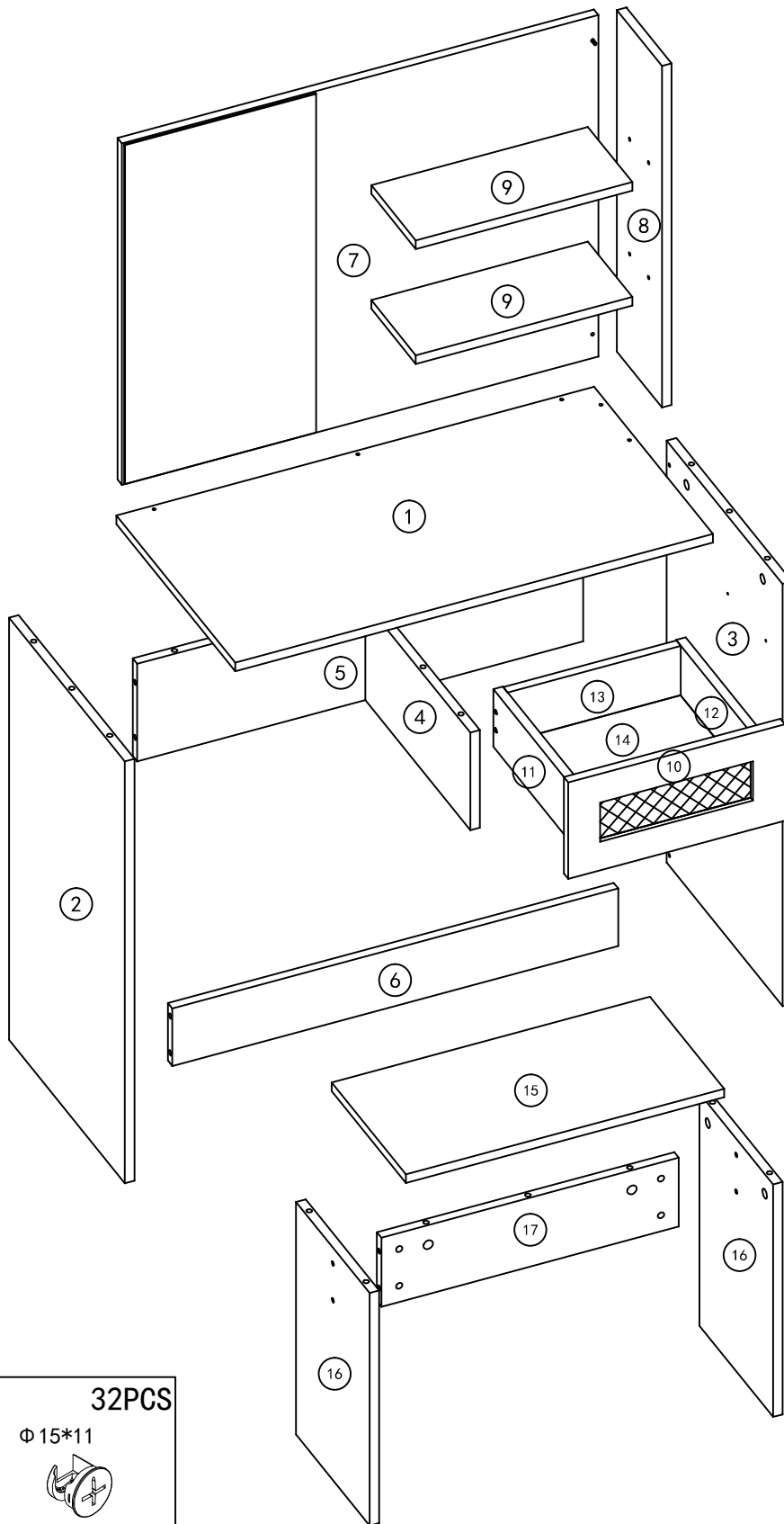


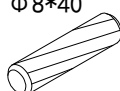

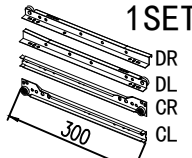
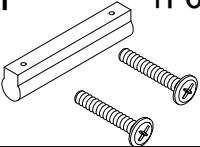


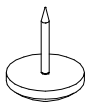
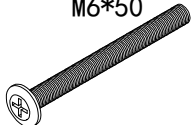

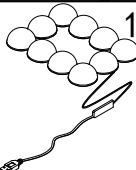
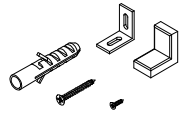



Assembly Instructions


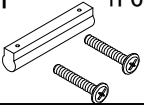
W1673123628

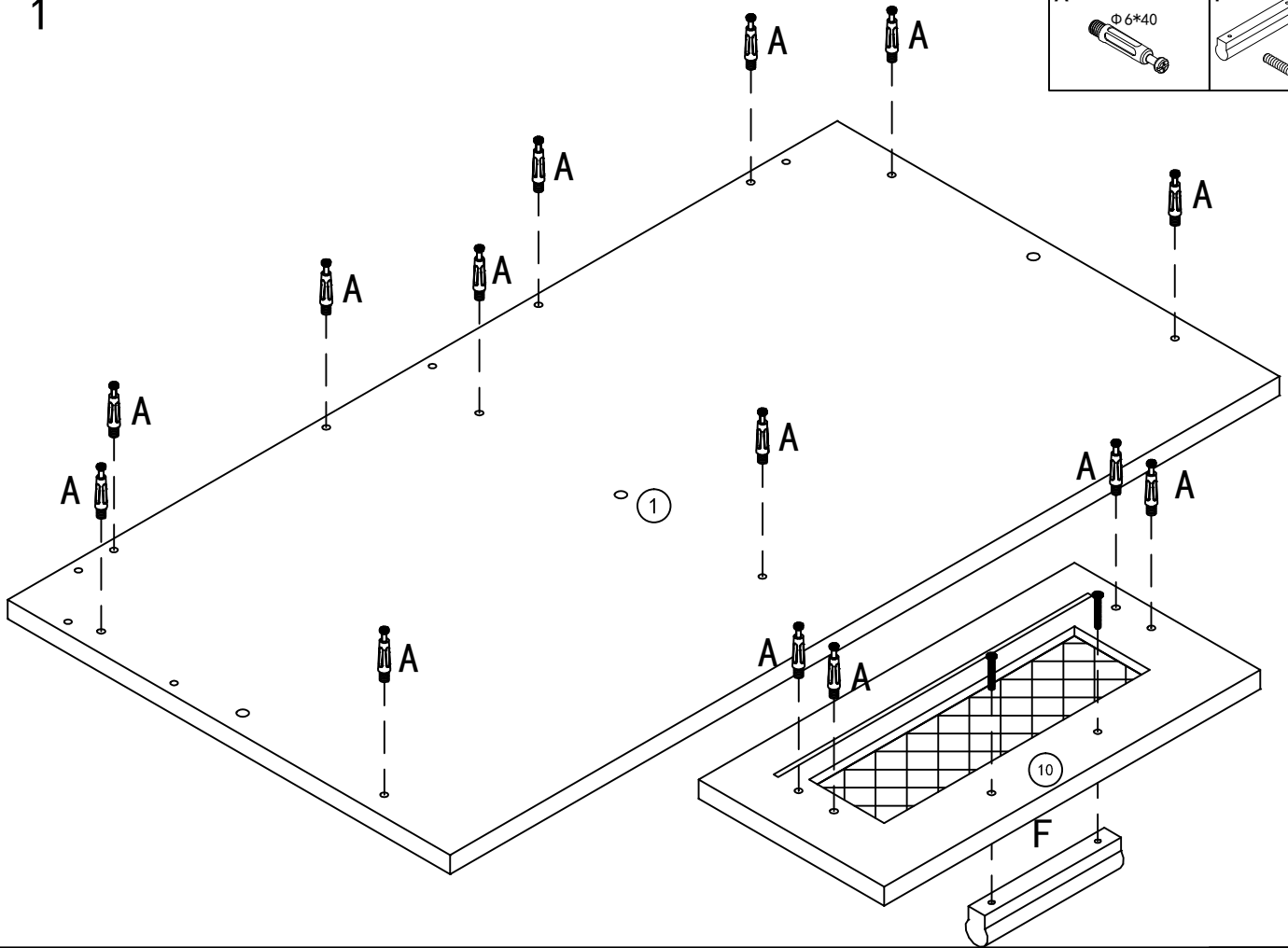





A 32PCS 	B 32PCS 						
C 4PCS 	D 14PCS 	E 1SET 	F 1PCS 	G 4PCS 	H 8PCS 		
J 8PCS 	K 4PCS 	L 4PCS 	M 1PCS 	N 2PCS 	O 4PCS 		

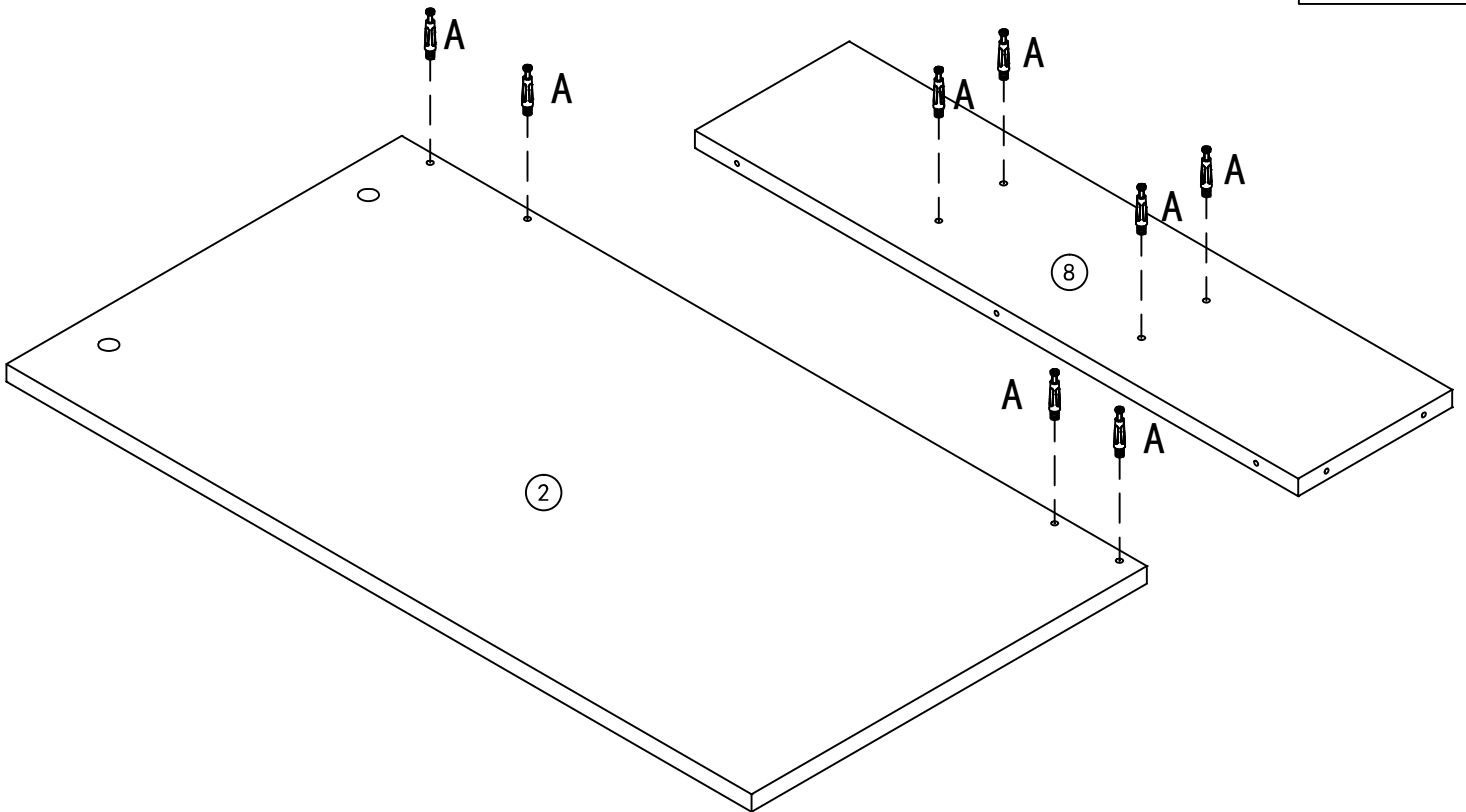
1

A	14PCS	F	1PCS
			



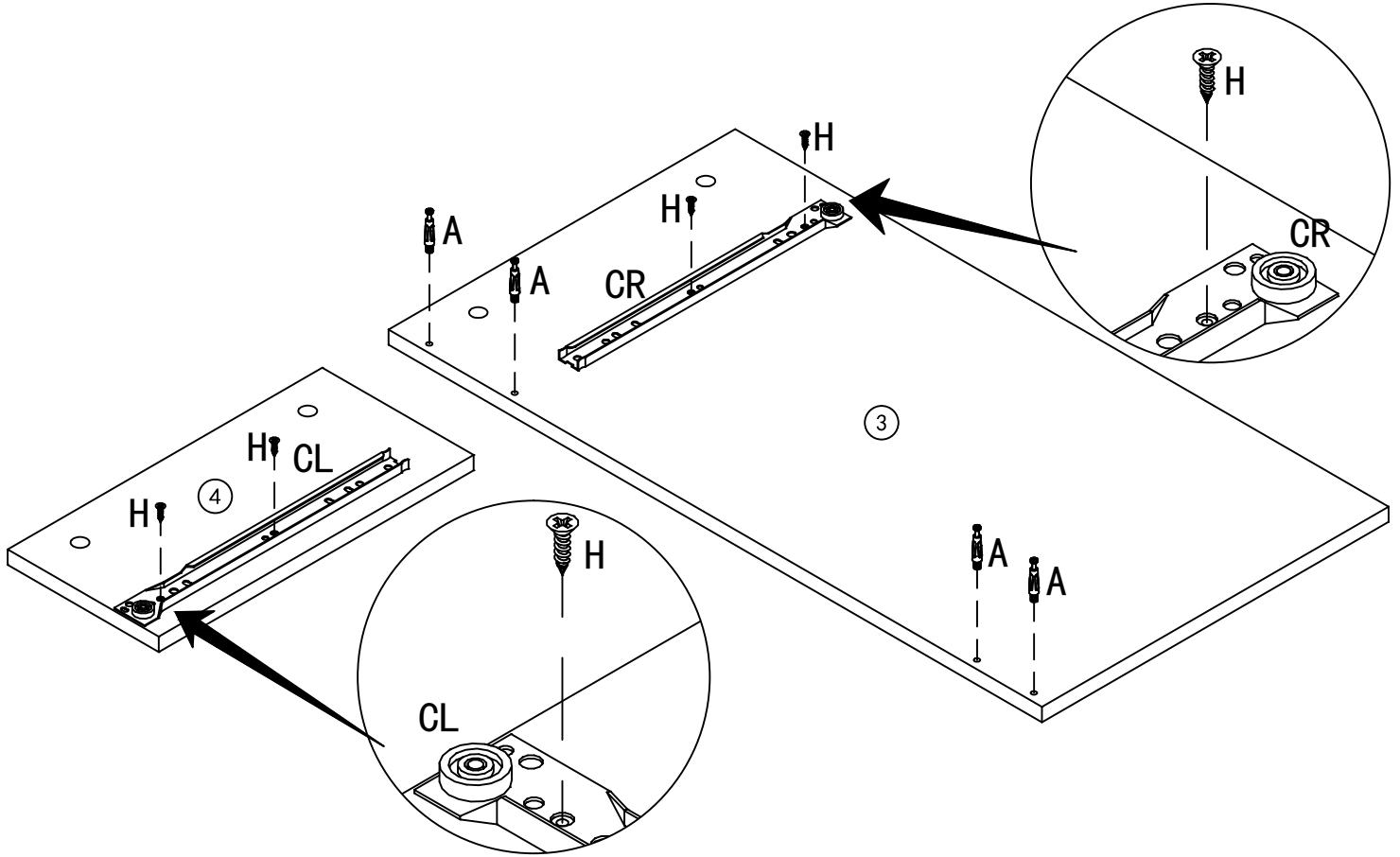
2

A	8PCS
	



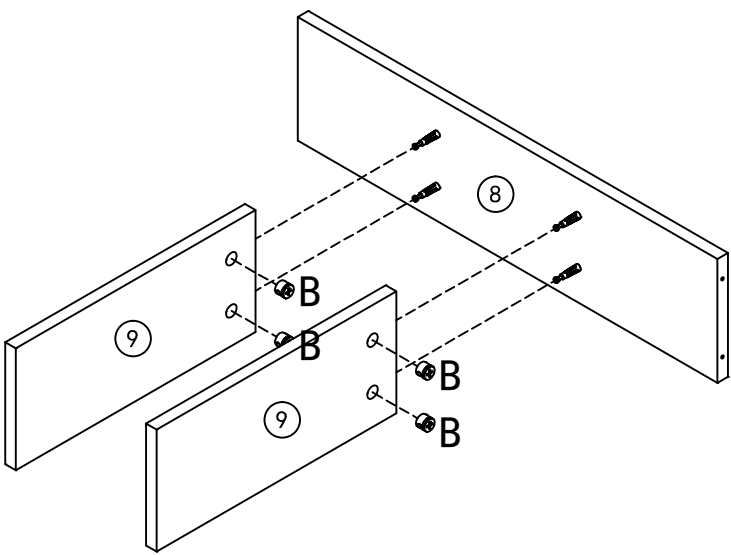
3

A 4PCS Φ 6*40	E 1SET DR DL CR CL	H 4PCS M3.5*14
-------------------------	---------------------------------------	--------------------------



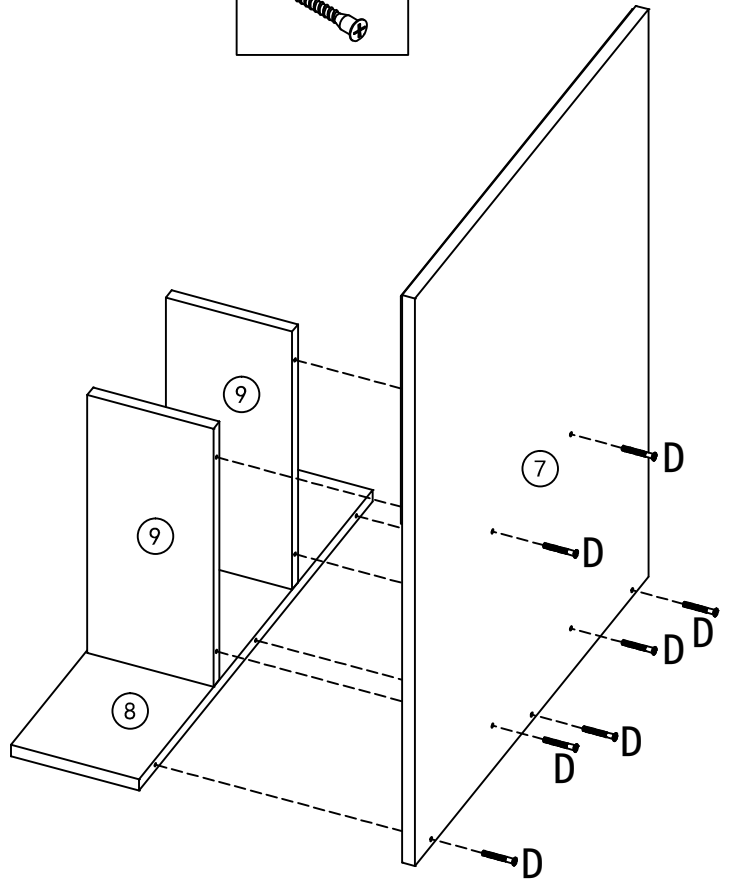
4

B 4PCS Φ 15*11



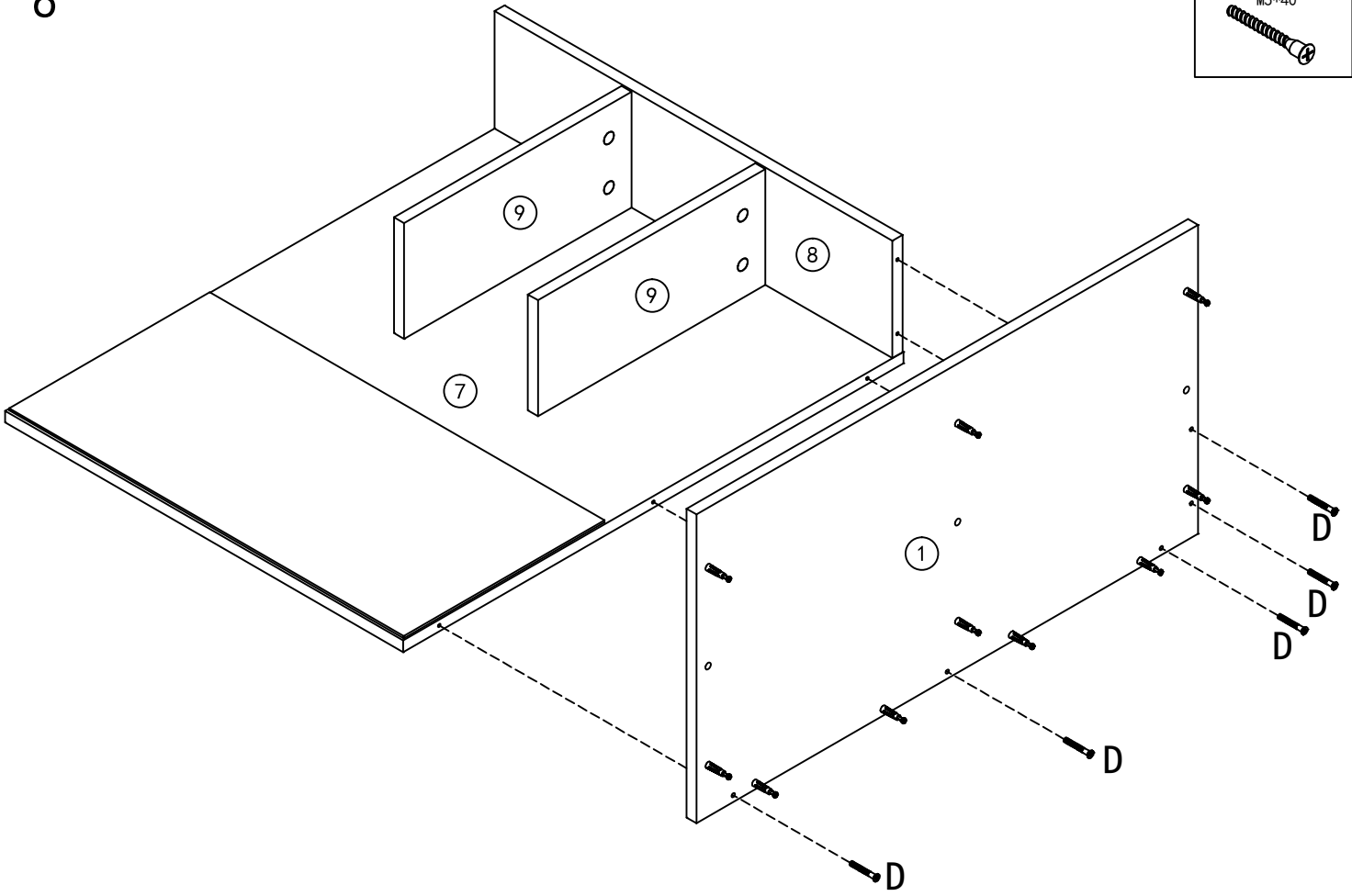
5

D 7PCS M5*40



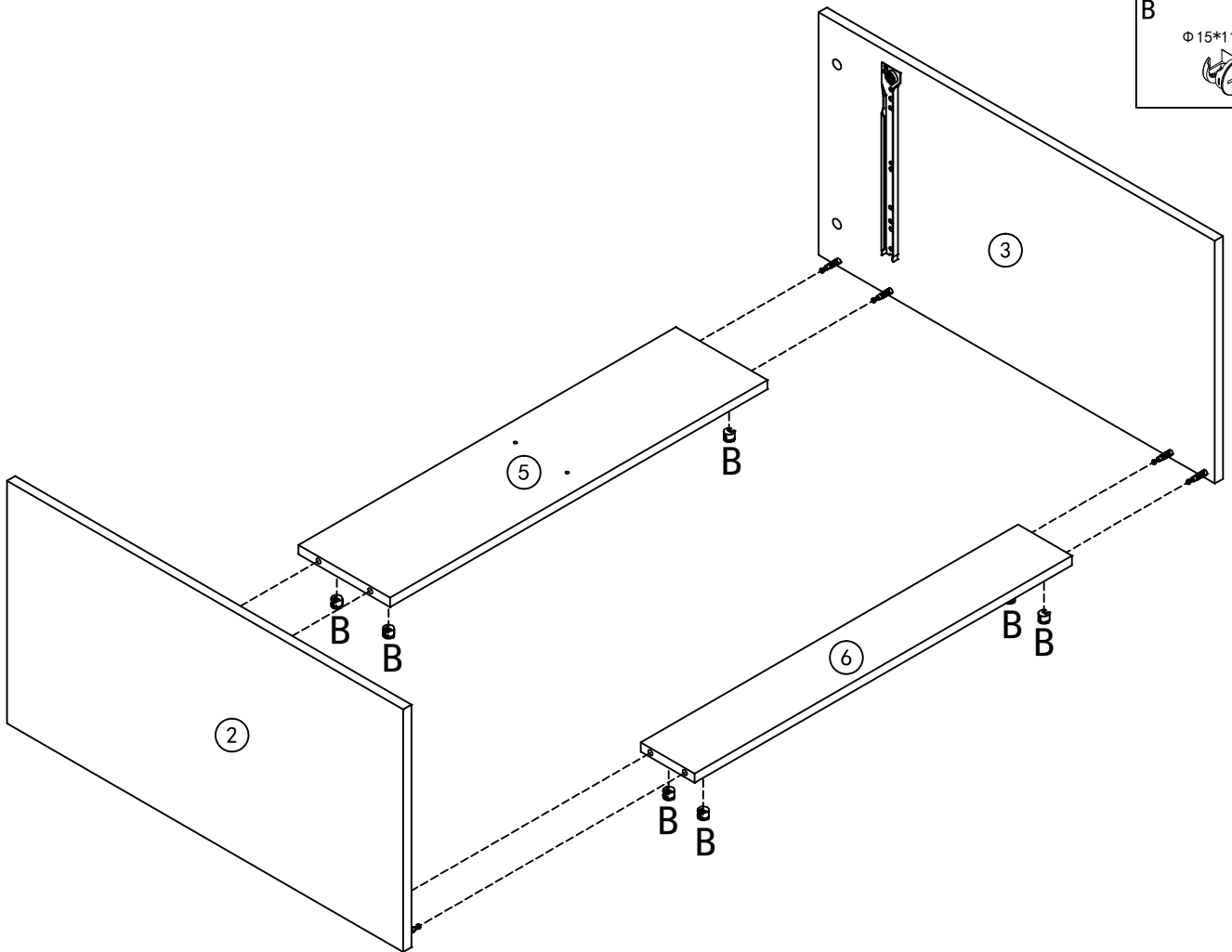
6

D 5PCS
M5*40



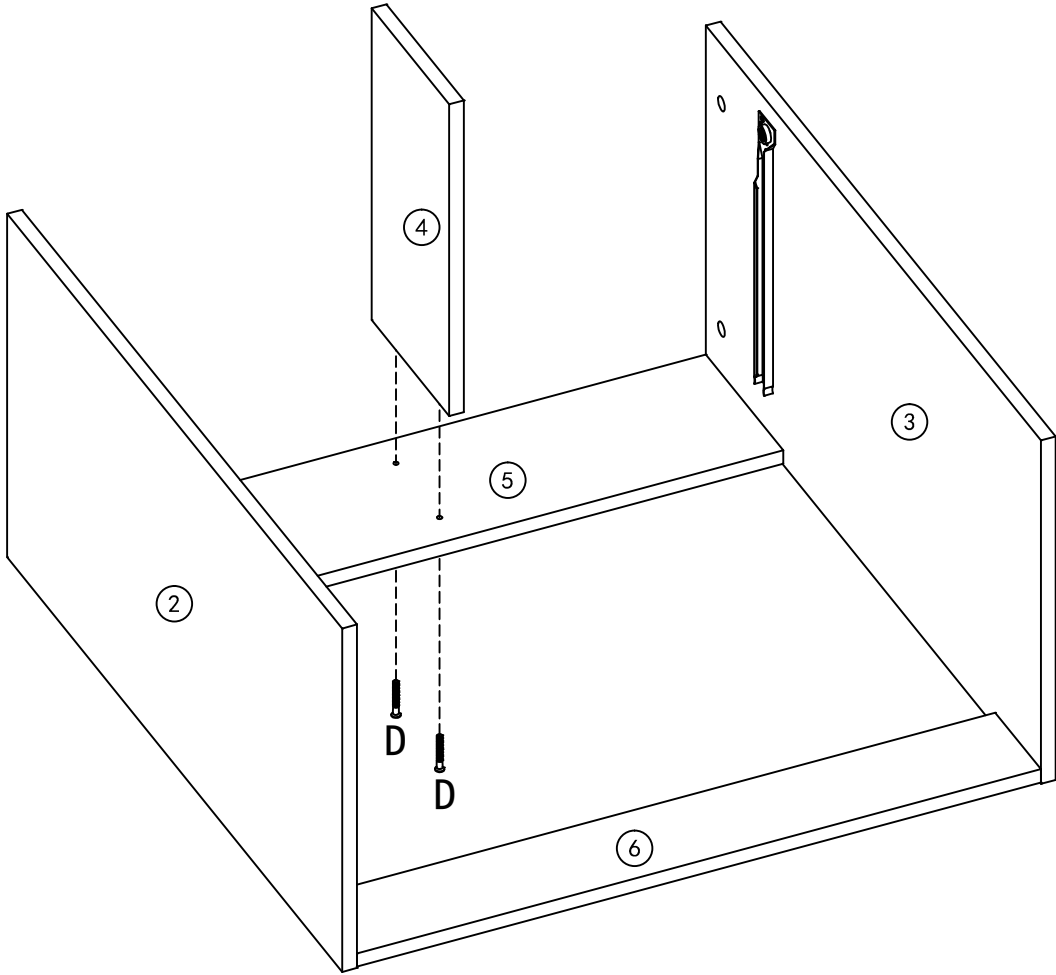

7

B 8PCS
Ø 15*11


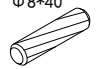



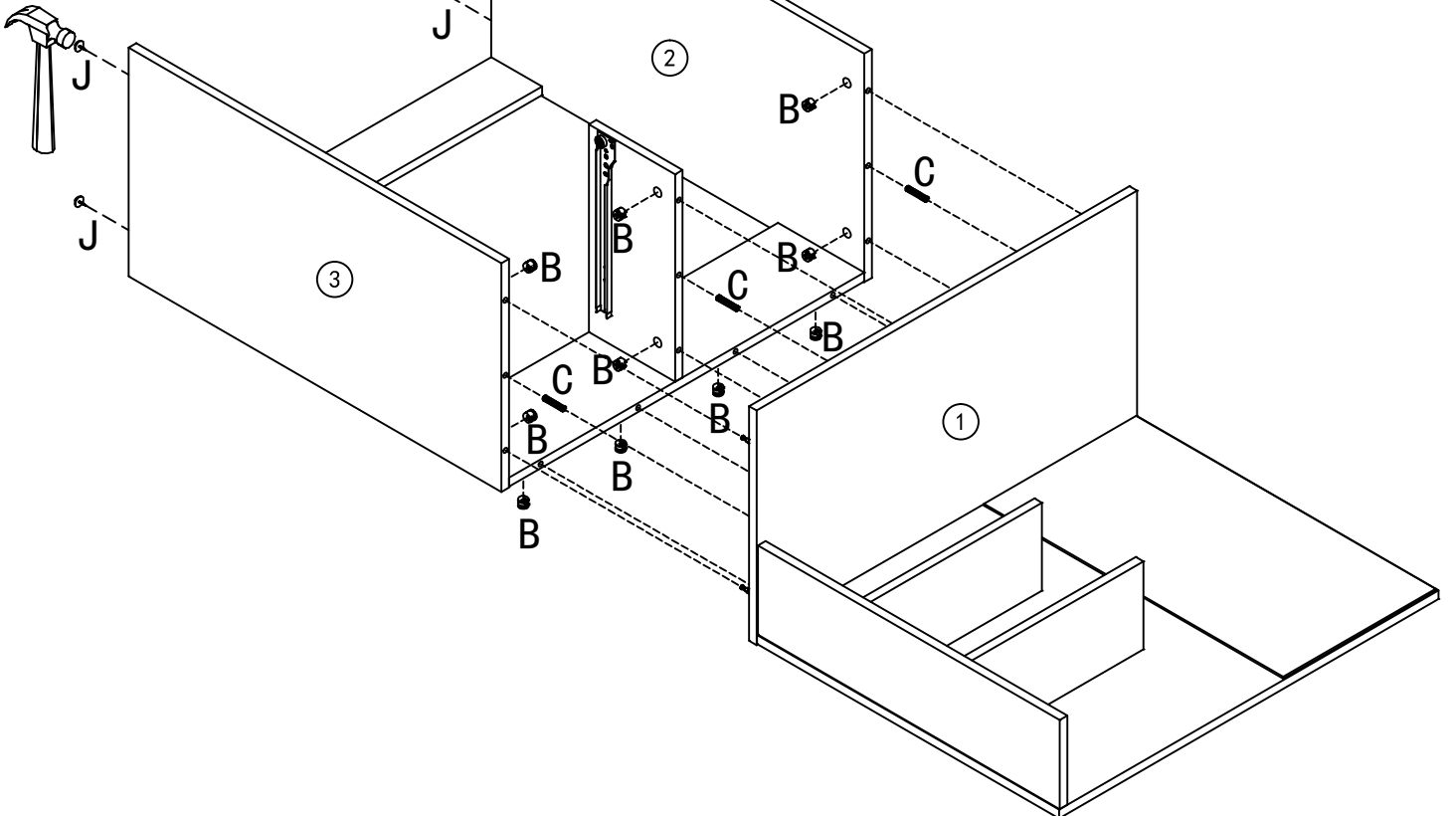
8

D 2PCS
M5*40

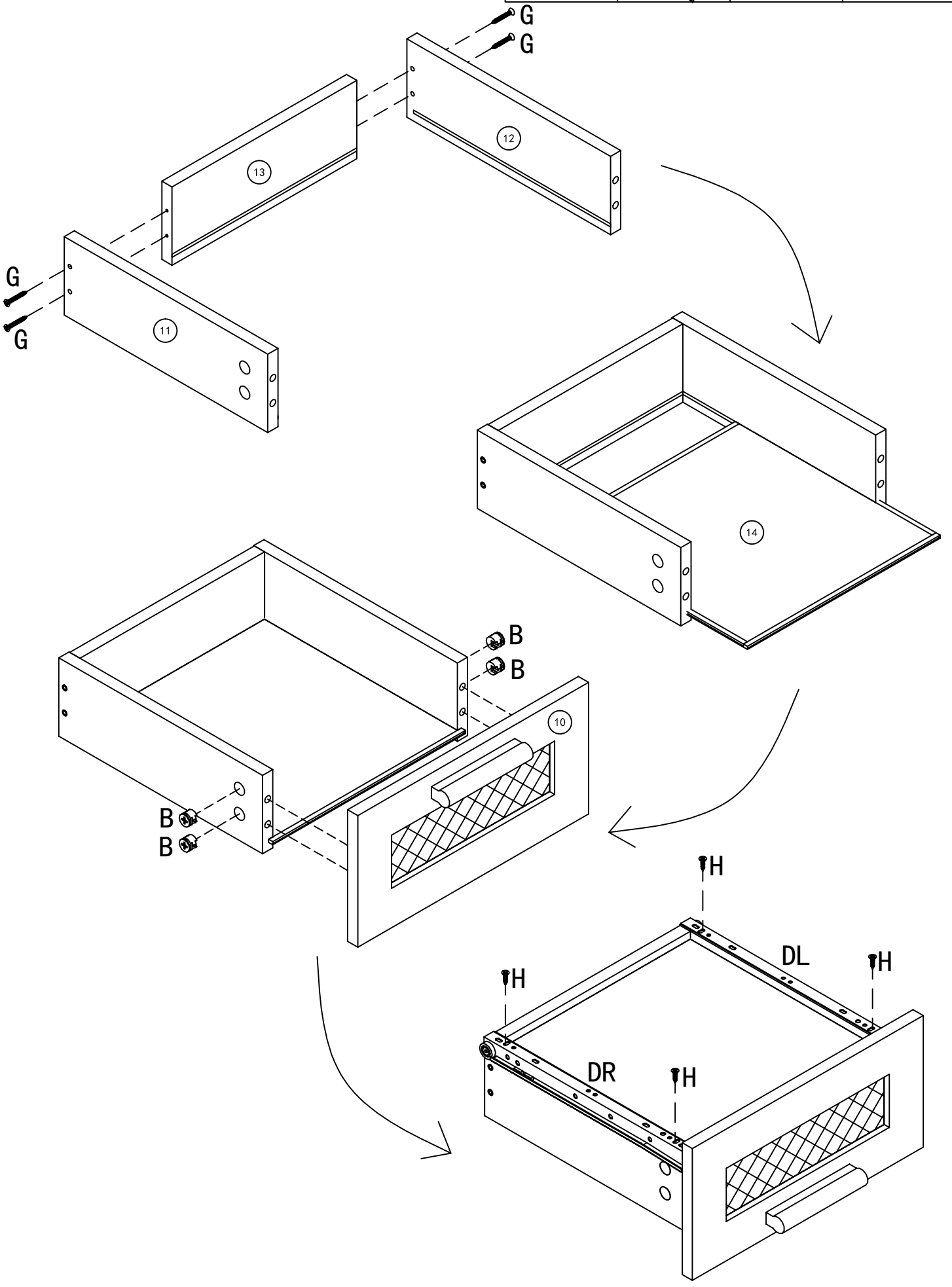


9

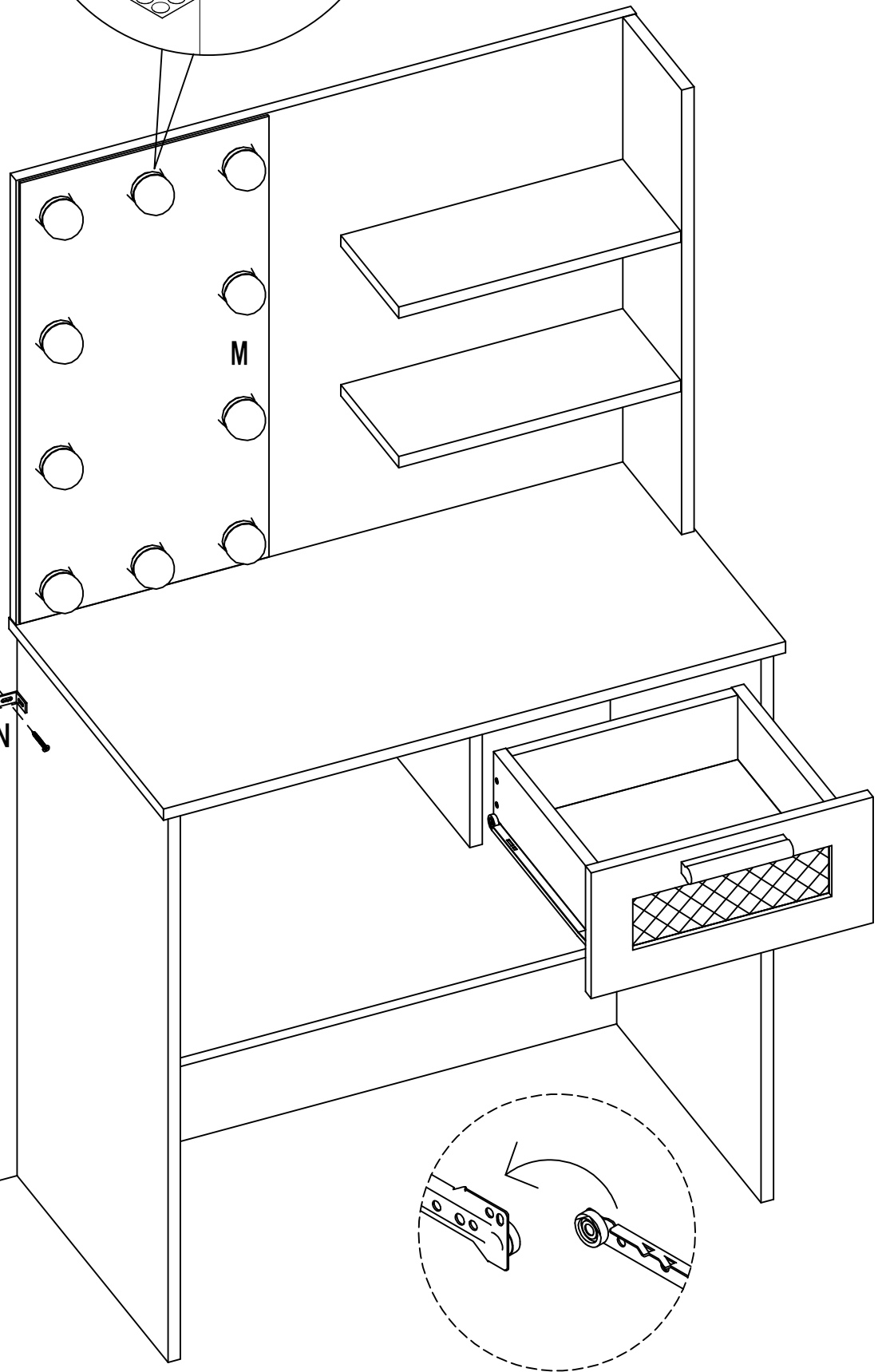
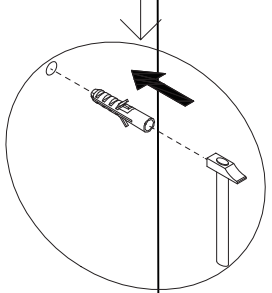
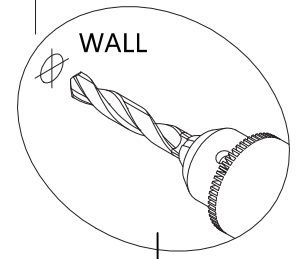
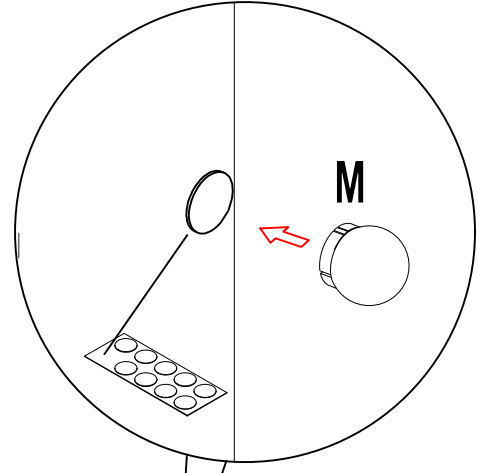
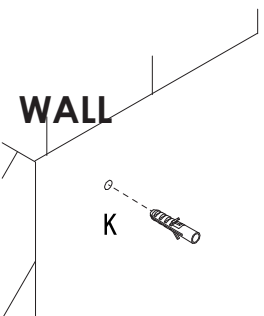
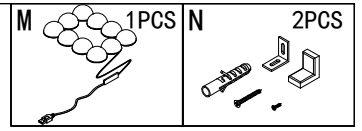
B	10PCS	C	3PCS	J	4PCS
$\Phi 15*11$		$\Phi 8*40$			



B Φ 15*11 4PCS	E 1SET DR DL CR CL	G M3.5*35 4PCS	H M3.5*14 4PCS
-----------------------------	--	-----------------------------	-----------------------------

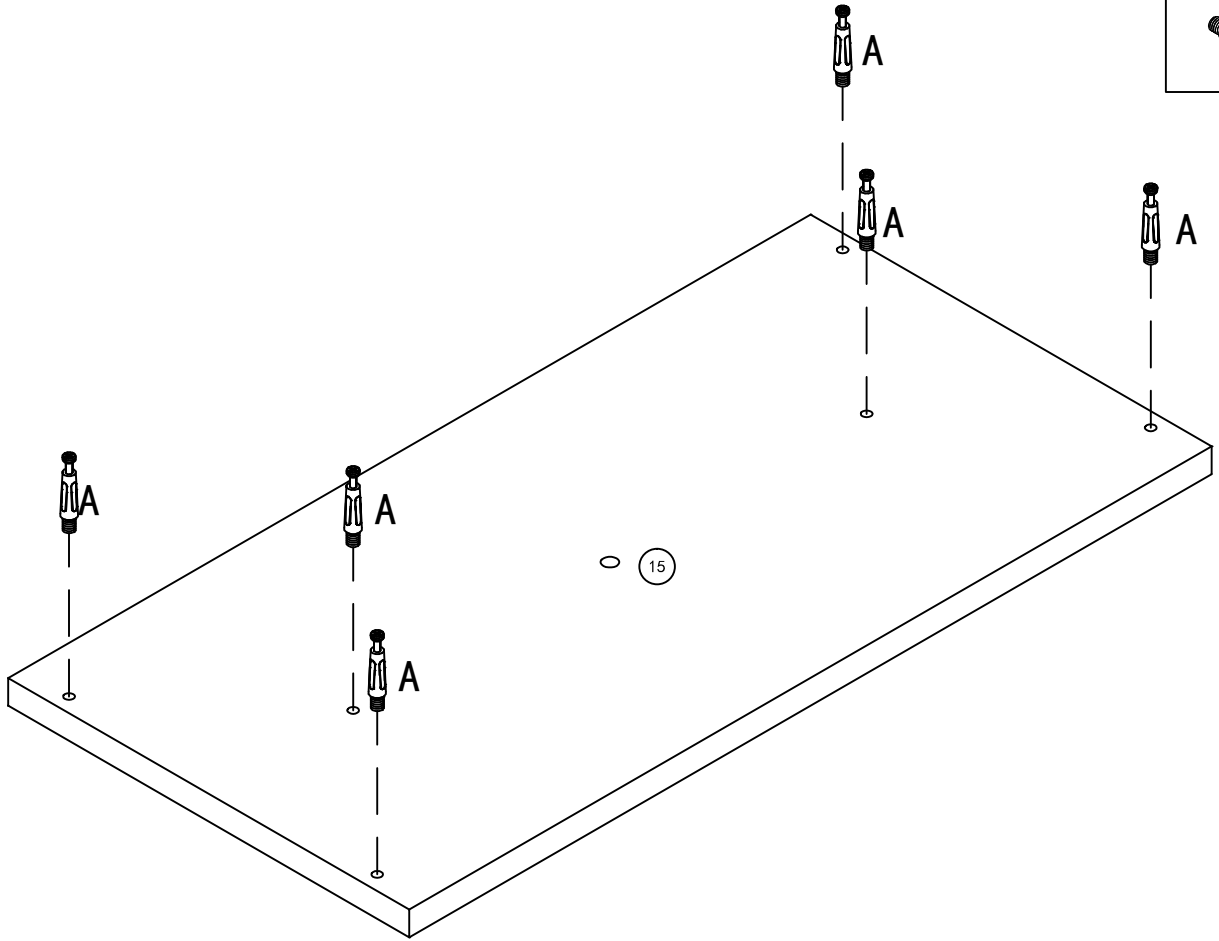



11



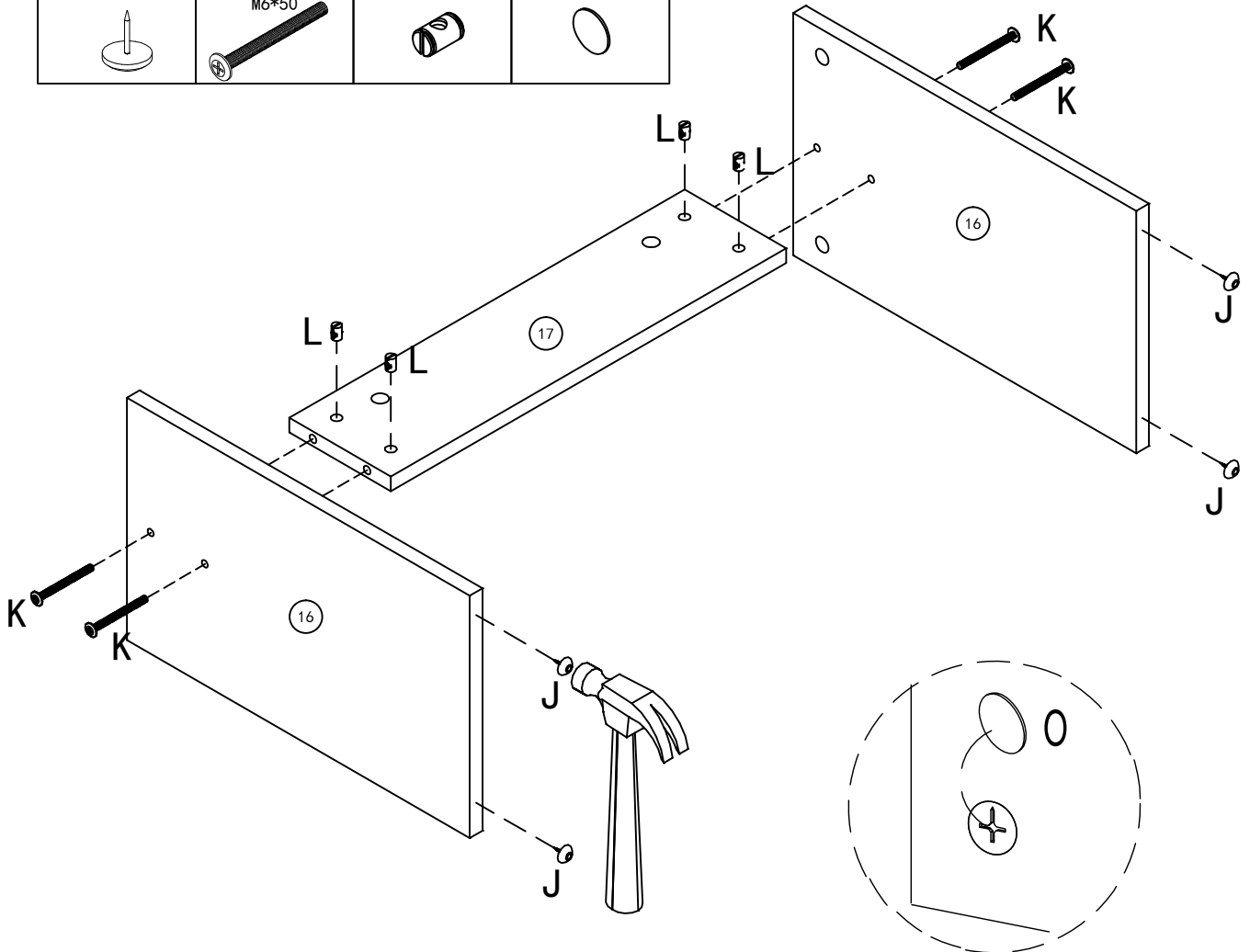



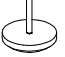
12

A 6PCS
Ø 6*40

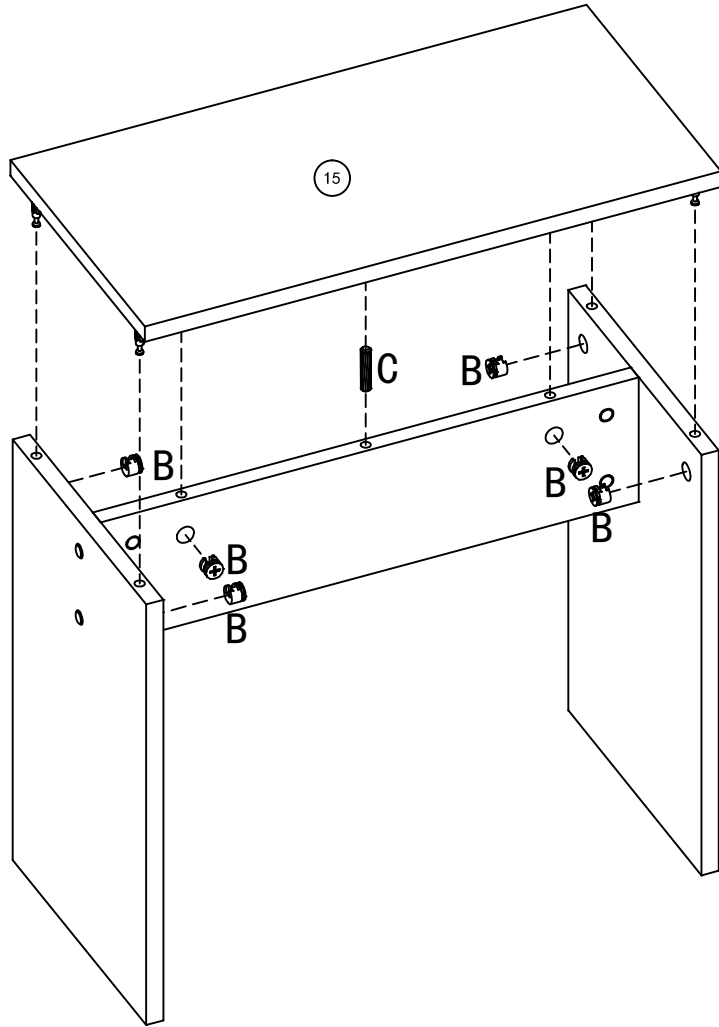



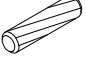
13

J 4PCS	K 4PCS M6*50	L 4PCS	O 4PCS
--------	-----------------	--------	--------



14



B	6PCS	C	1PCS
	$\Phi 15 \times 11$		$\Phi 8 \times 40$
			

15

