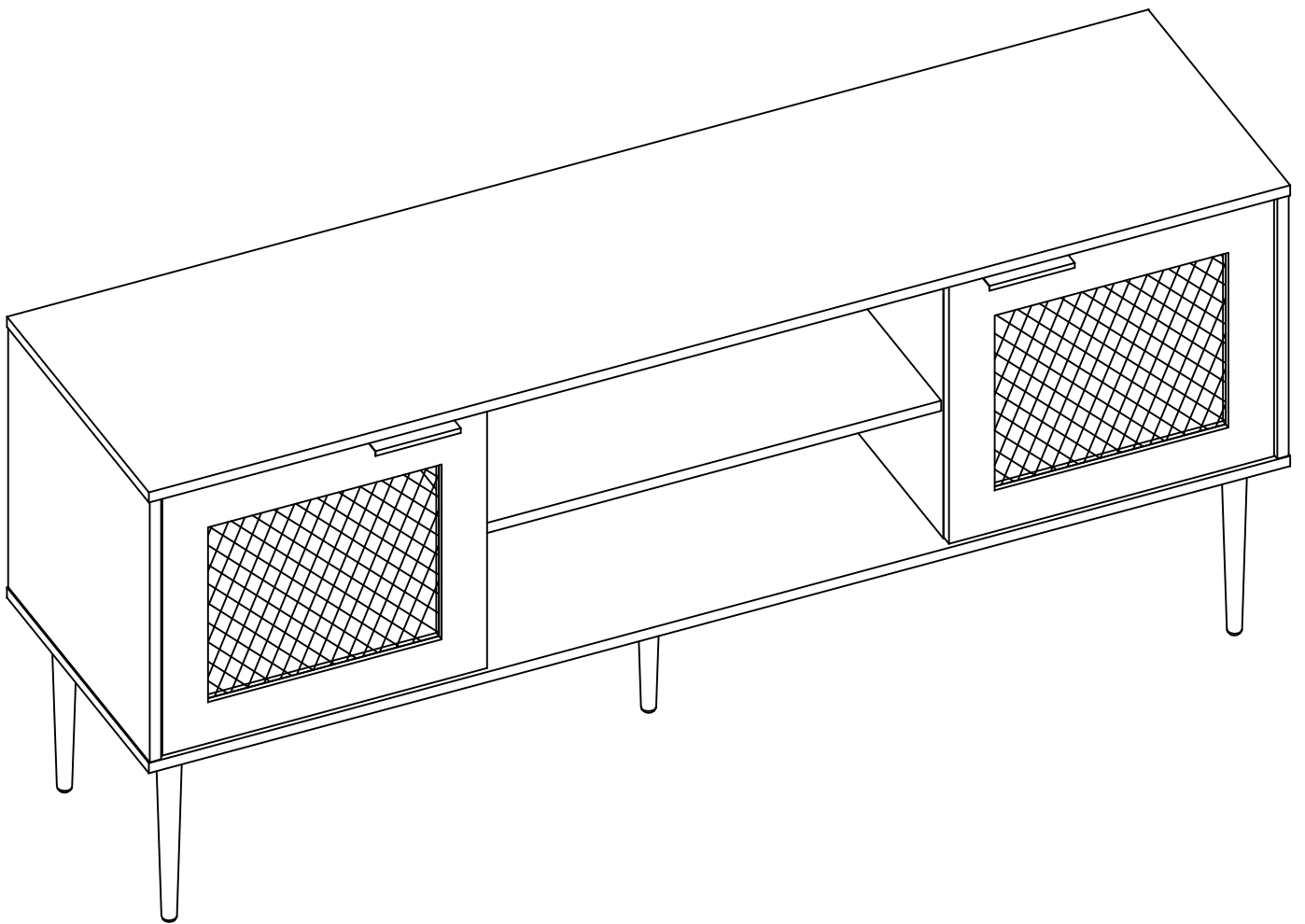
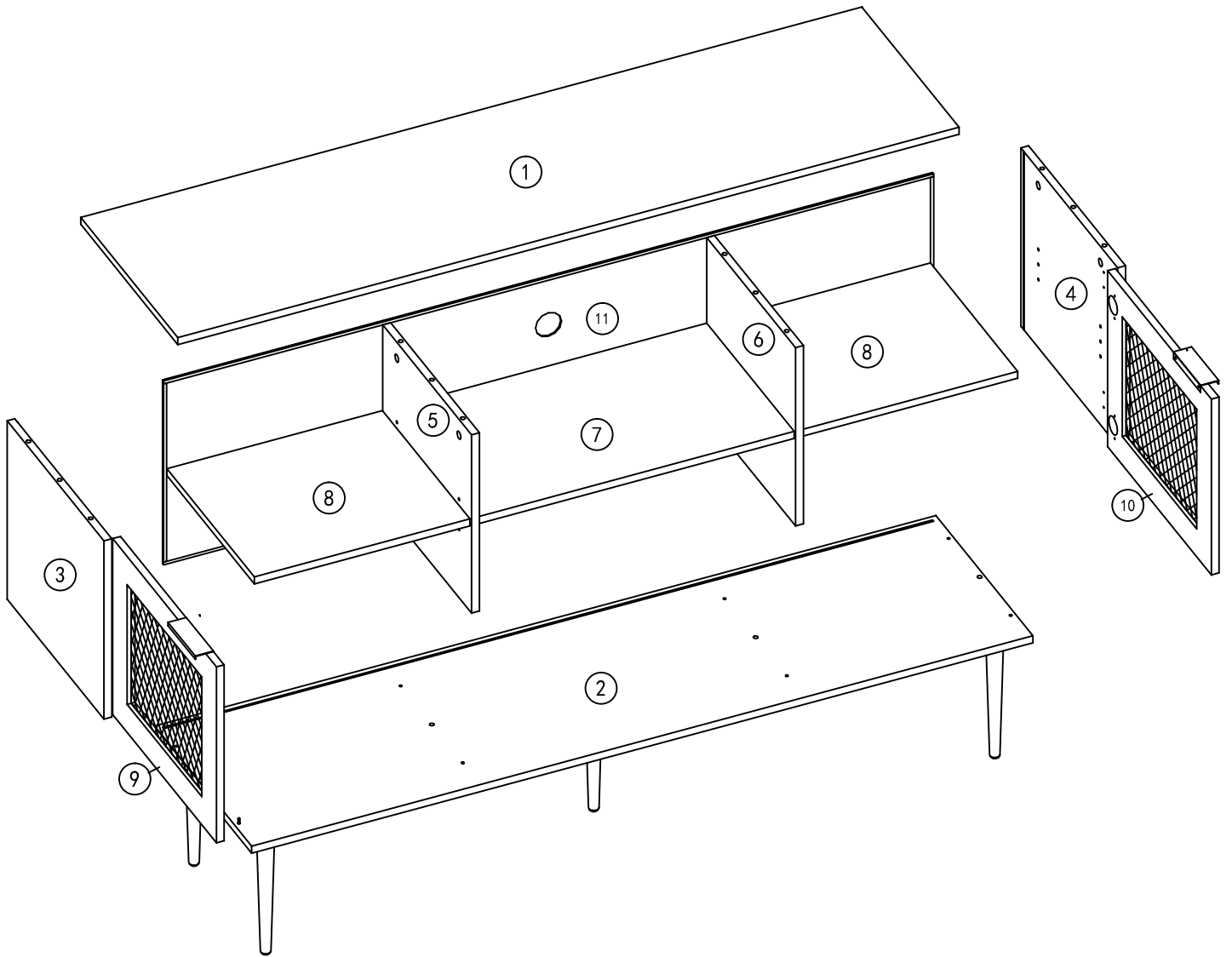


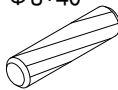

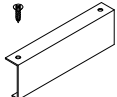
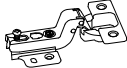
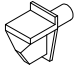

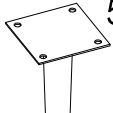
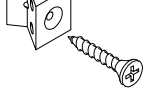


Assembly Instructions

W167382607

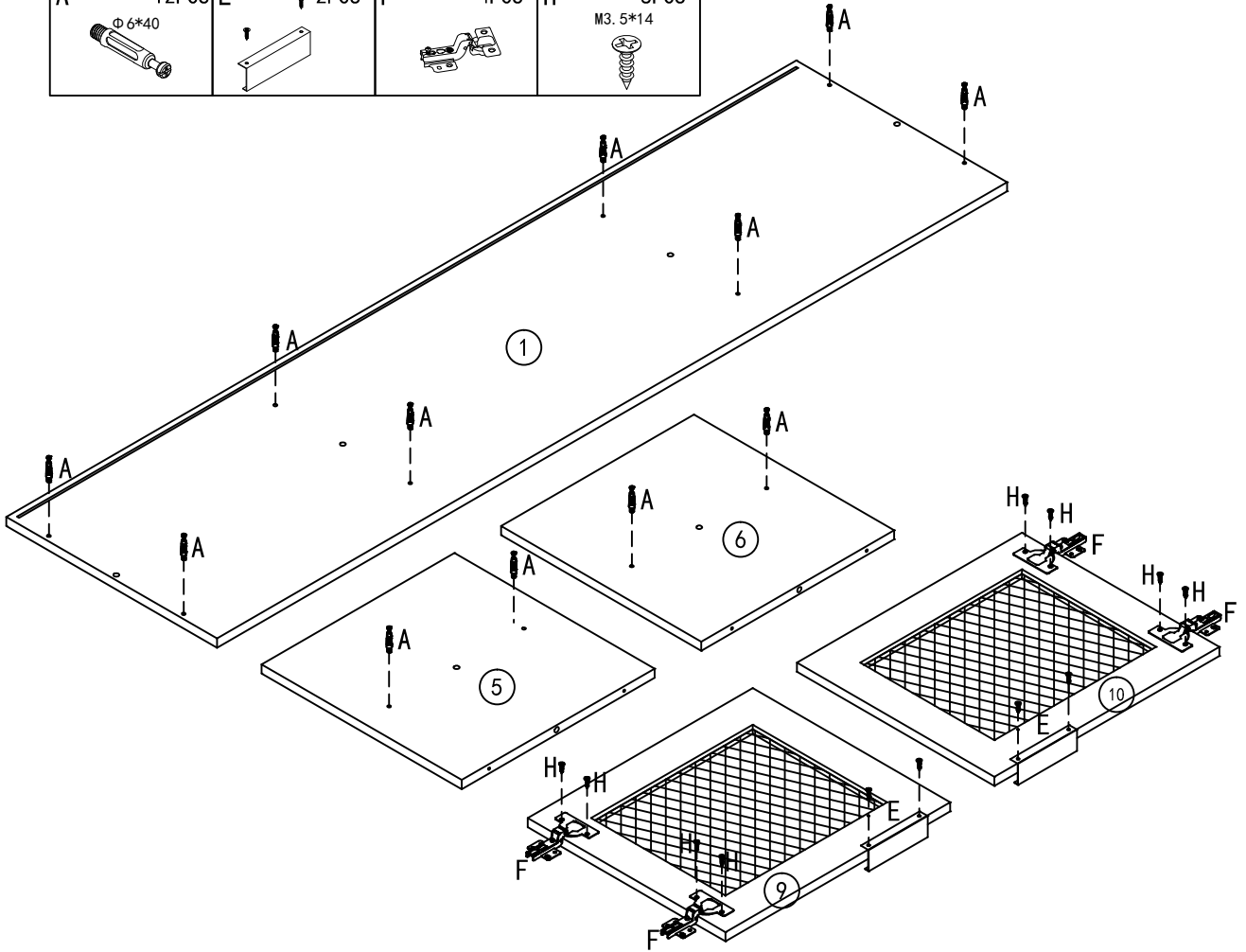




A 12PCS  $\Phi 6*40$	B 12PCS  $\Phi 15*11$	C 10PCS  $\Phi 8*40$	D 8PCS  M5*40	E 2PCS 
F 4PCS 	G 8PCS 	H 44PCS  M3.5*14	J 5PCS  H=260mm	K 8PCS 

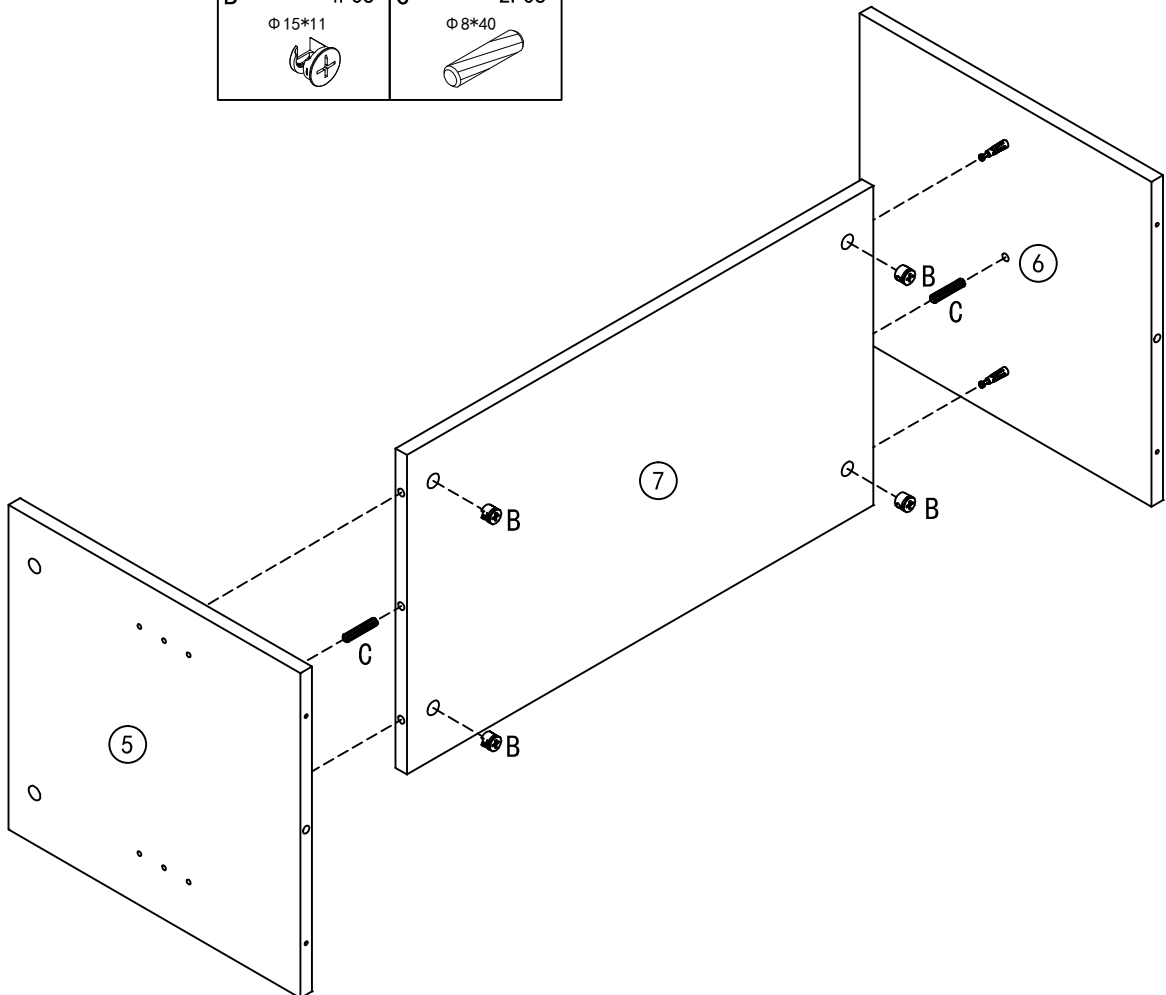
1

A	12PCS Φ 6*40	E	2PCS	F	4PCS	H	8PCS M3.5*14
---	-----------------	---	------	---	------	---	-----------------

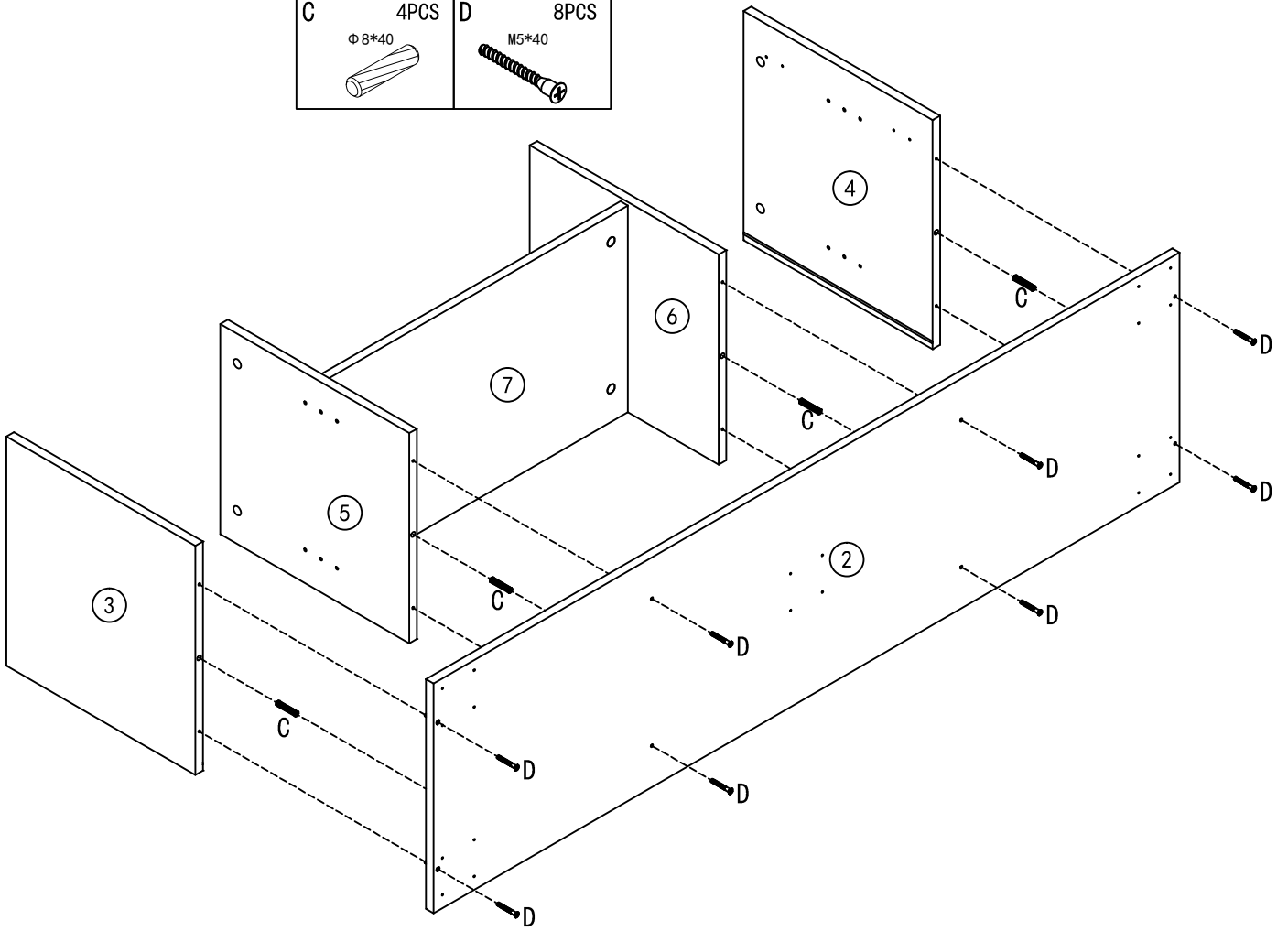
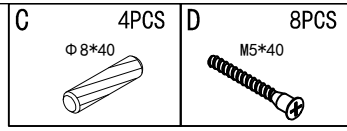


2

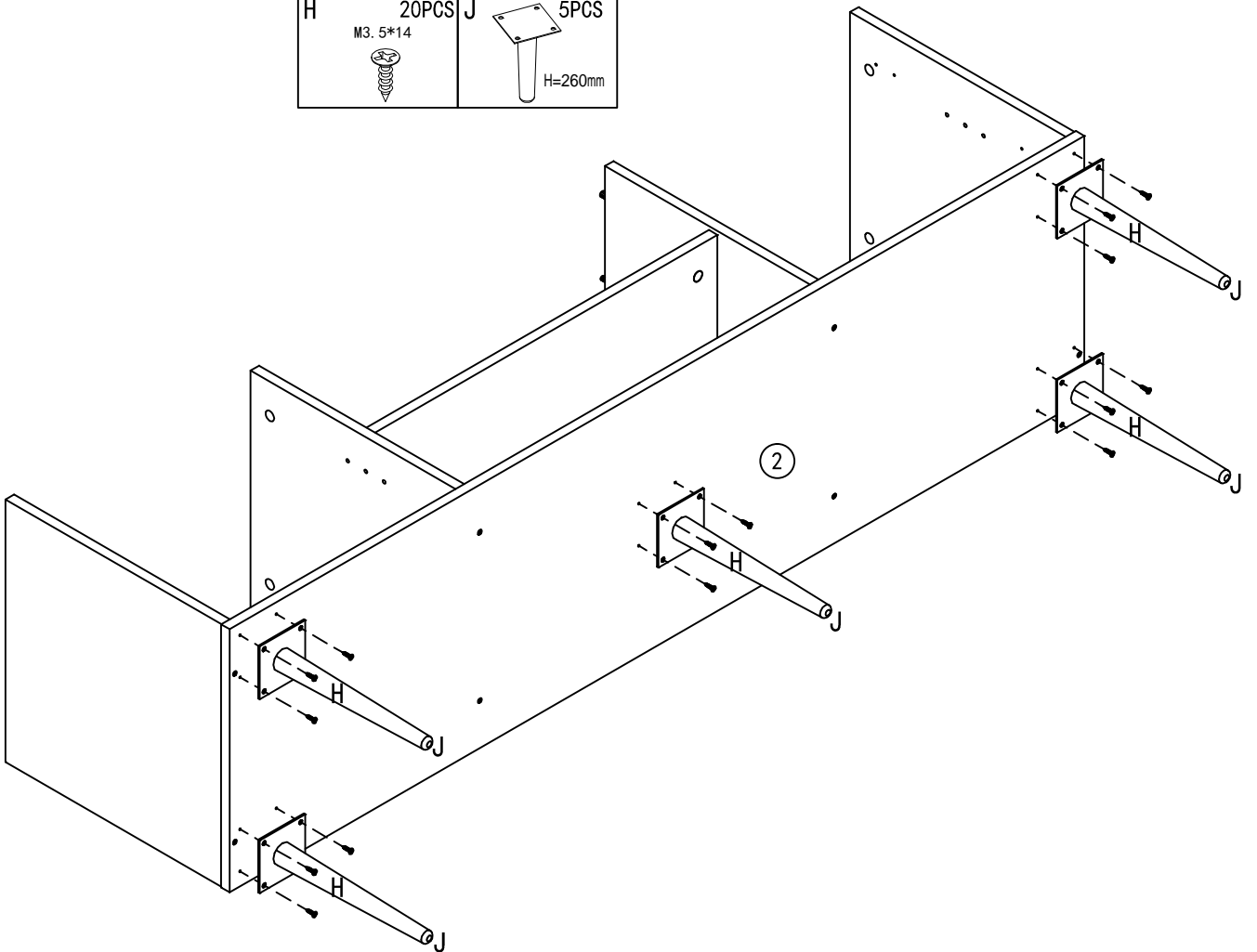
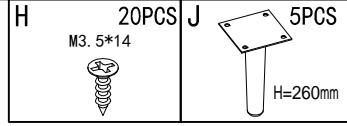
B	4PCS Φ 15*11	C	2PCS Φ 8*40
---	-----------------	---	----------------



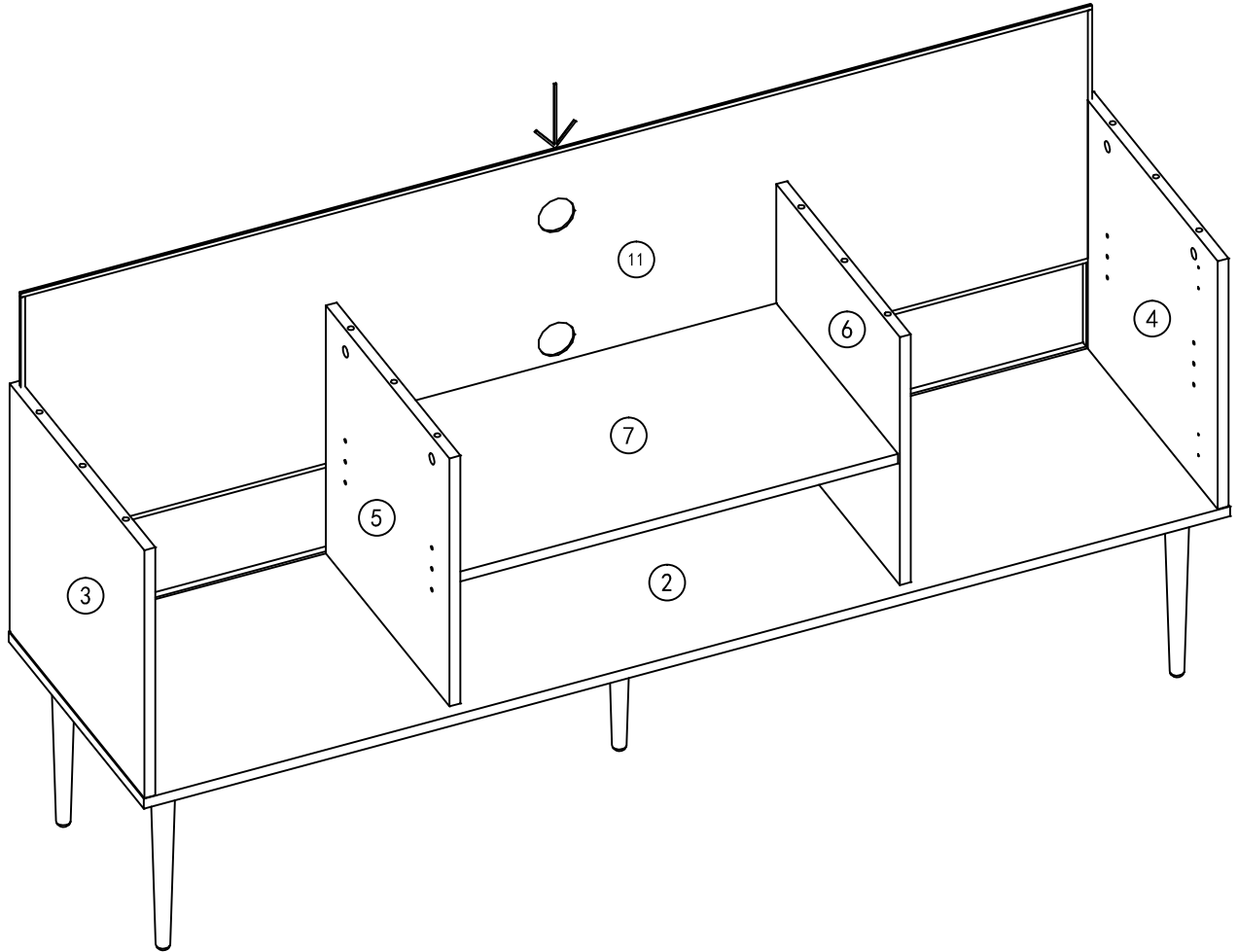
3





4

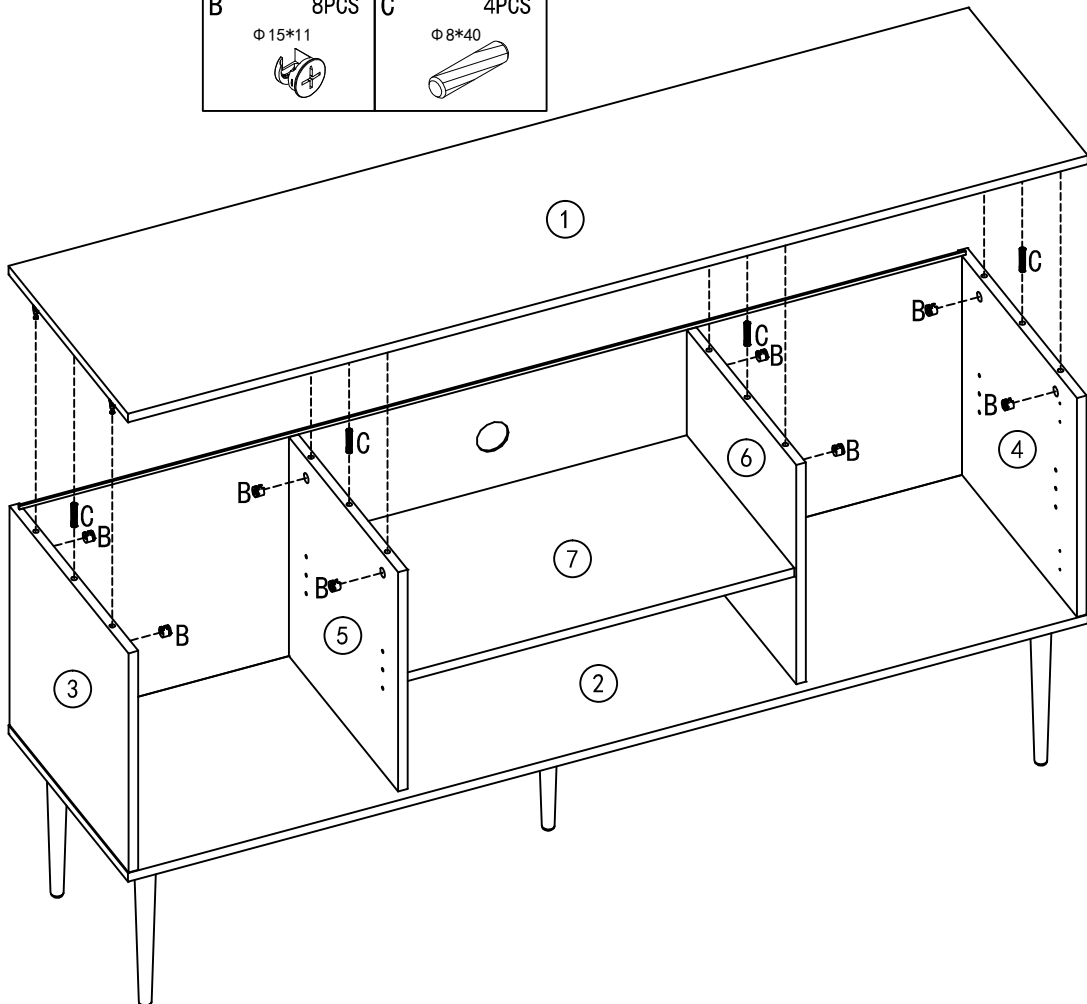


5

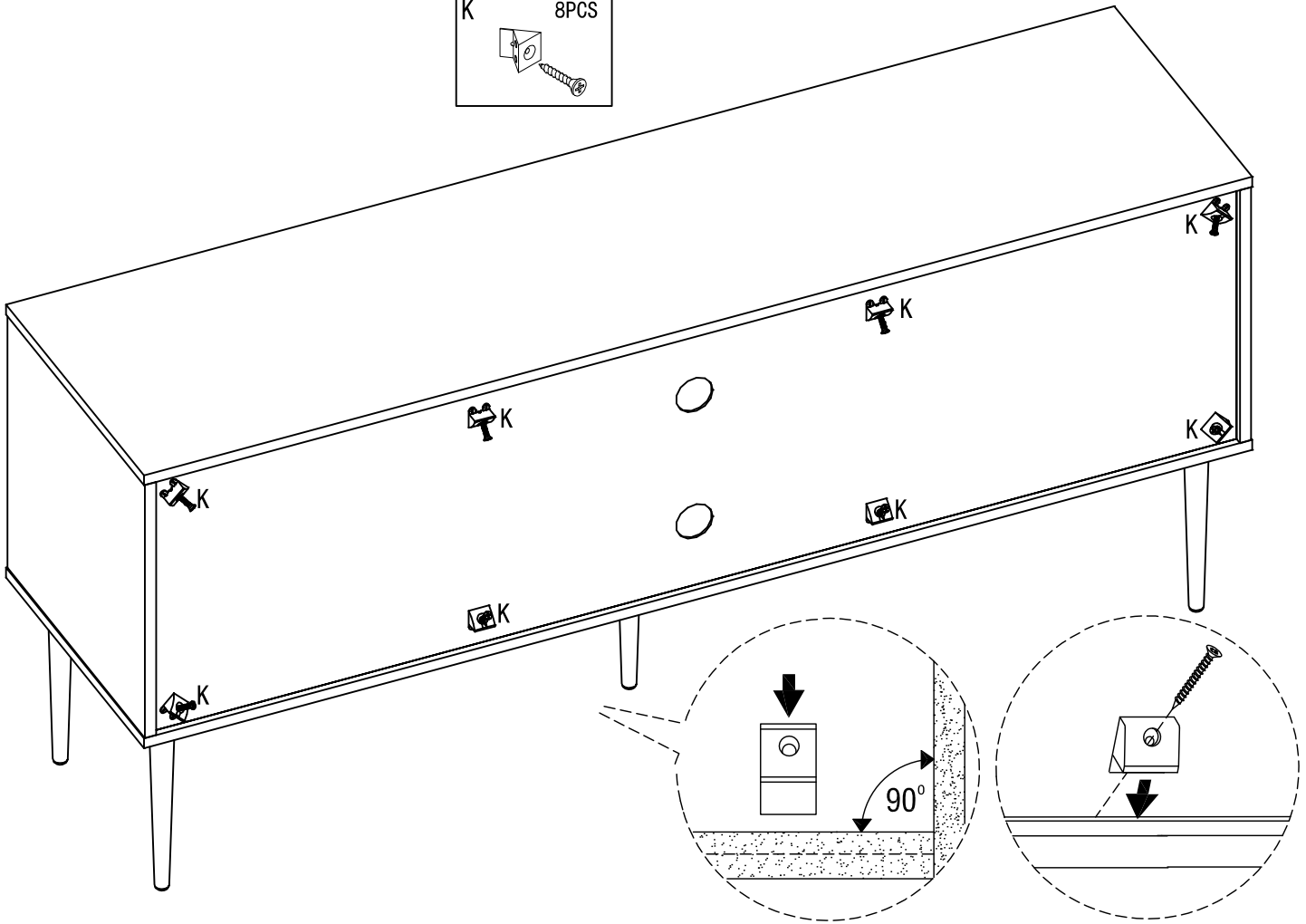
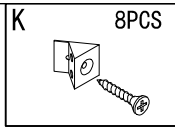


6

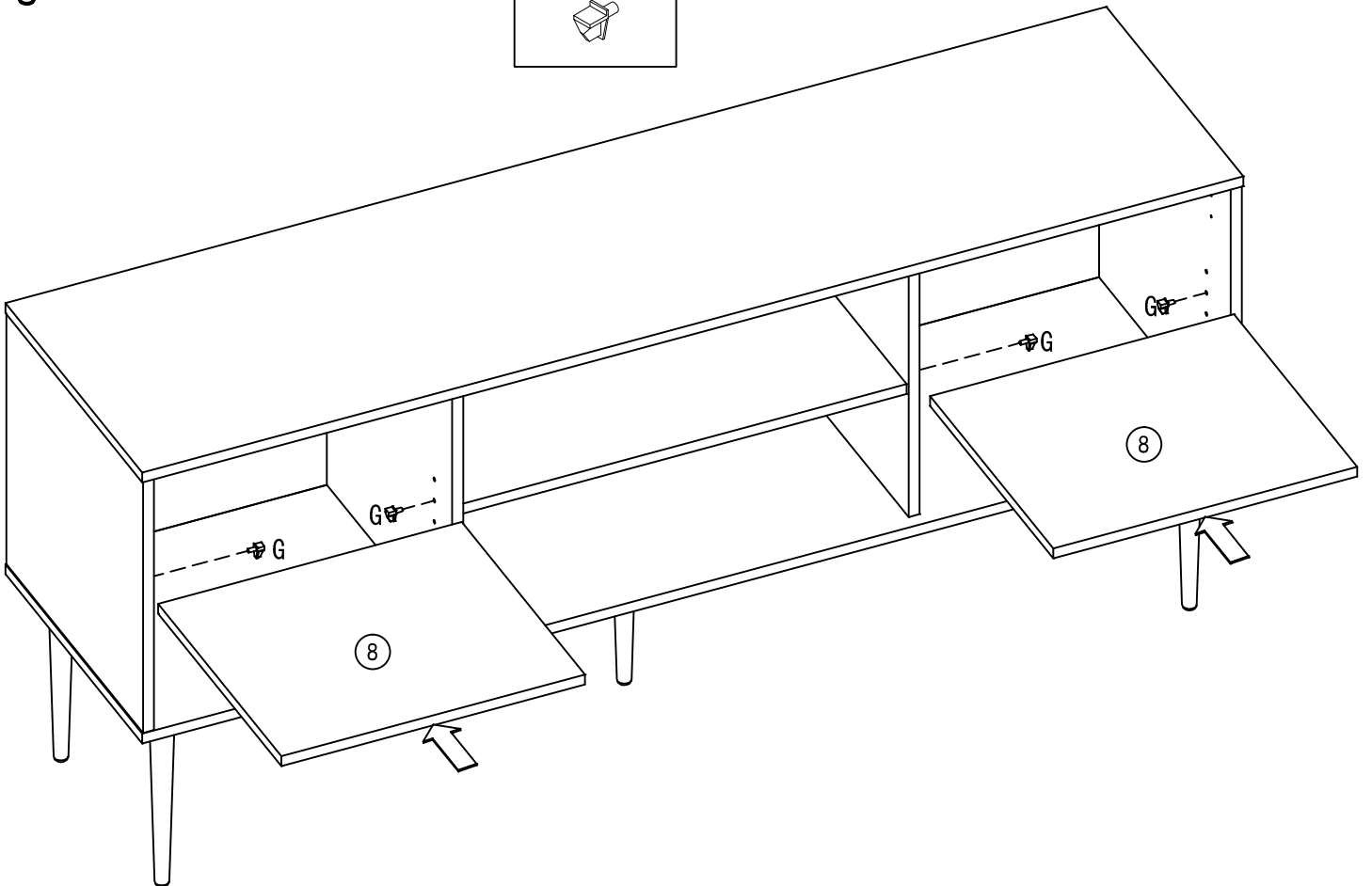
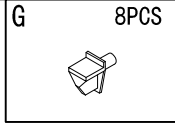
B	8PCS	C	4PCS
	Φ 15*11		Φ 8*40
			

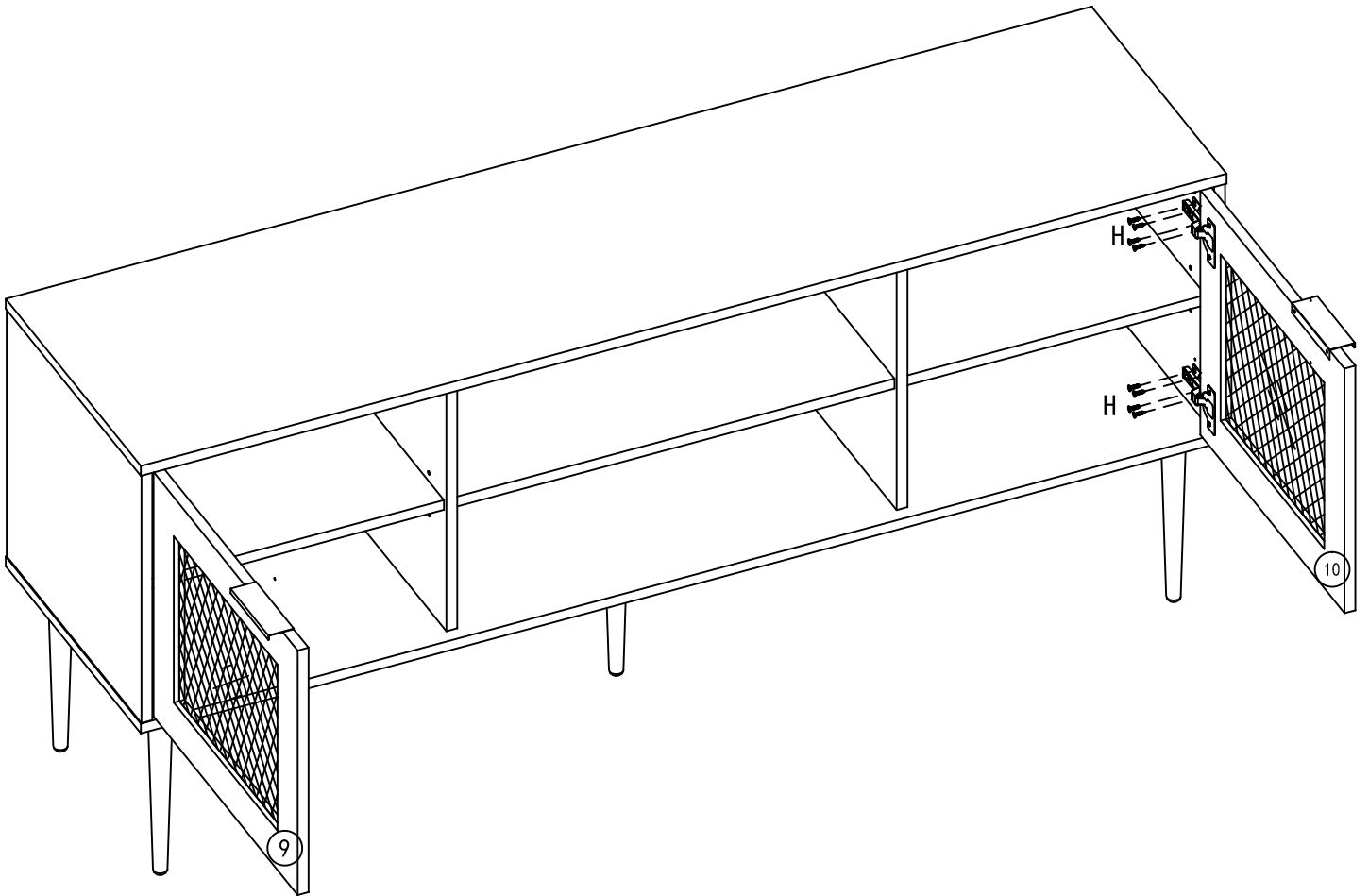


7

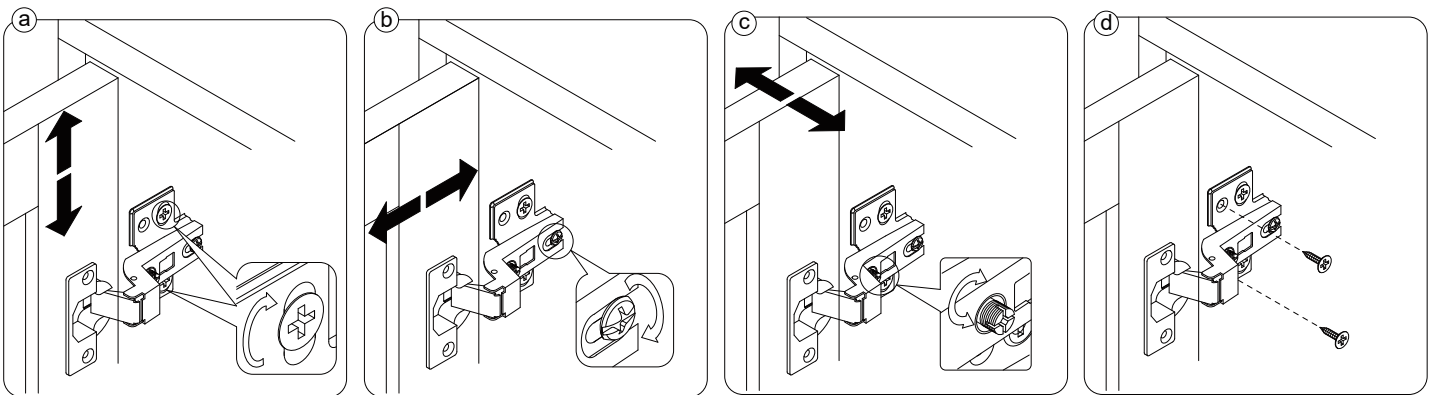


8





When the hinges are installed, you can refer to the pictures to adjust crevice of the doors till it's perfect:



1. To adjust the doors up and down, please refer to step (a)
2. To adjust the distance between the doors and side panels, please refer to step (b)
3. To adjust the gap between two doors, please refer to step (c)
4. After the adjustment finished, please tight the screws, refer to step (d)