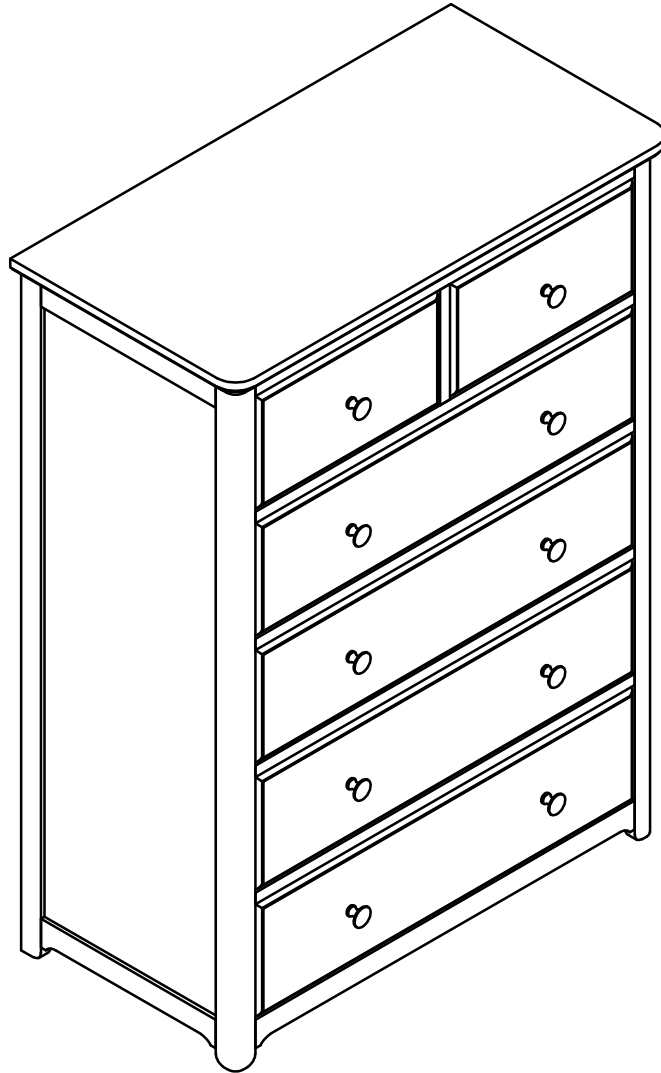


ASSEMBLY INSTRUCTION

SKU CODE: (WF297097)



⚠ WARNING!

SUFFOCATION HAZARD-FOR CHANGER UNIT

BABIES HAVE SUFFOCATED WHILE SLEEP ON CHANGING TRAYS.
CHANGING TRAYS ARE NOT DESIGNED FOR SAFE SLEEPING.

- . Never allow baby to sleep on changing pad.

⚠ WARNING!

FALL HAZARD-CHANGER UNIT

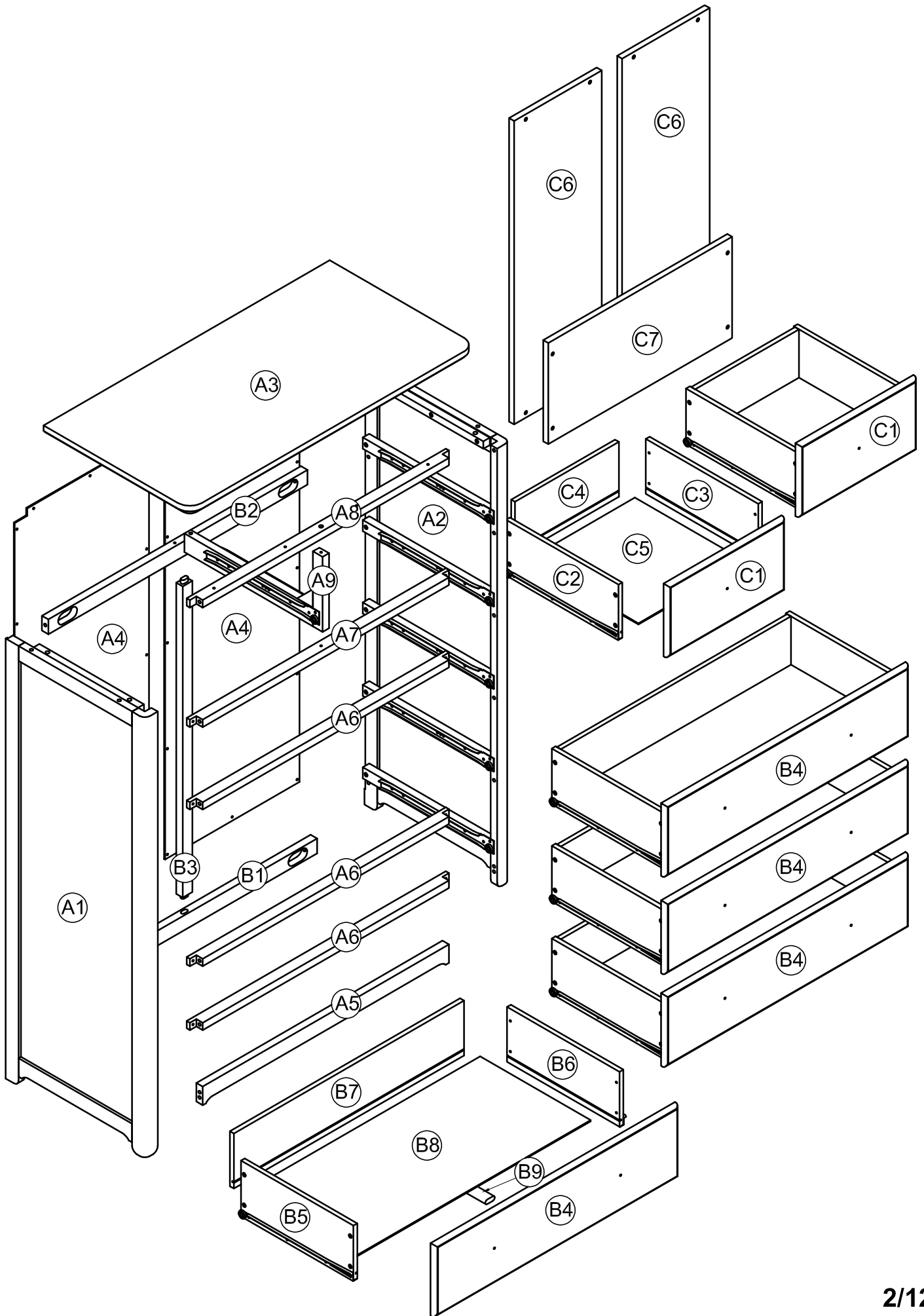
CHILDREN HAVE SUFFERED SERIOUS INJURIES AFTER FALLING
FROM CHANGING AREAS. FALLS CAN HAPPEN QUICKLY.

- . Stay within arms' reach of your child

ALWAYS secure this [unit/pad] to the support
[surface/ frame] by (manufacturer's instructions for
securing the changing unit/pad). See instructions.

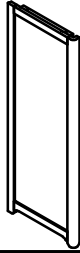
- . Never leave the child unattended.
 - . Keep the child in view while child is in the changing table.
 - . Can only retain child with weight up to 30 lbs.
 - . Changing Pad size: 34-1/4" W x 16" D x 1" H.
- Parents should ensure a safe environment for their children by checking the furniture regularly before placing children in the products. Please make sure every component is properly and securely in place. Periodically check for loose or worn parts, tighten, repair, or replace as needed

ASSEMBLY INSTRUCTION



Part List & Hardware List (WF297097)

A1



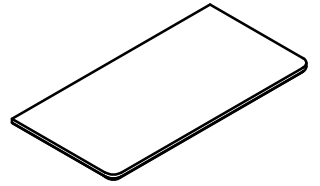
Left frame- 1pc

A2



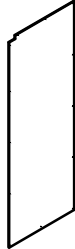
Right frame- 1pc

A3



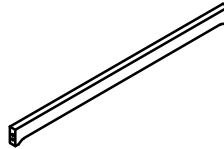
Top Panel-1pc

A4



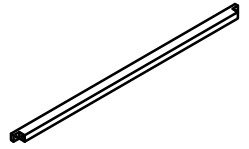
Back panel-2pcs

A5



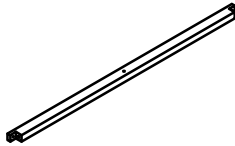
WoodBar-1pc

A6



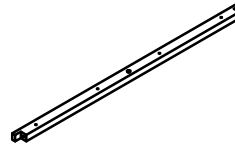
WoodBar-3pcs

A7



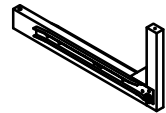
WoodBar-1pc

A8



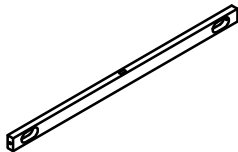
WoodBar-1pc

A9



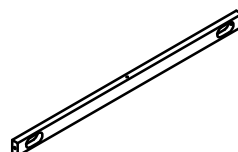
WoodBar-1pc

B1



WoodBar-1pc

B2



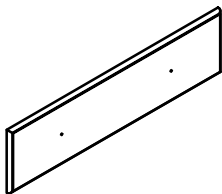
WoodBar-1pc

B3



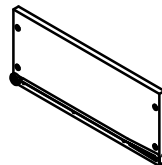
WoodBar-1pc

B4



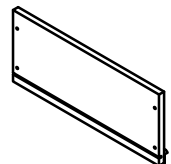
Drawer front -4pcs

B5



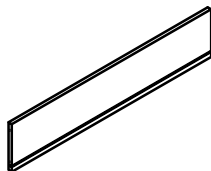
Drawer Left-4pcs

B6



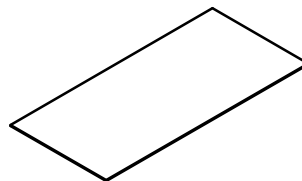
Drawer Right-4pcs

B7



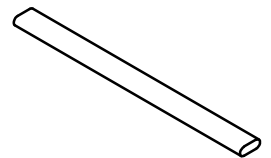
Drawer Rear-4pcs

B8



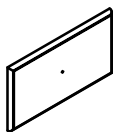
Drawer Bottom Panels-4pcs

B9



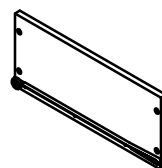
WoodBar-4pcs

C1



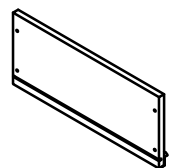
Drawer front -2pcs

C2



Drawer Left-2pcs

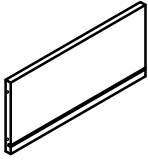
C3



Drawer Right-2pcs

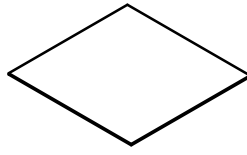
Part List & Hardware List (WF297097)

C4



Drawer Rear-2pcs

C5



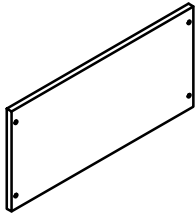
Drawer Bottom Panels-2pcs

C6




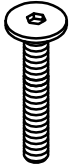
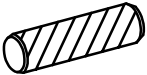
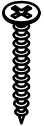




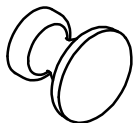



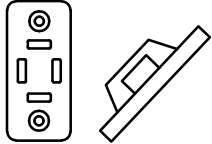



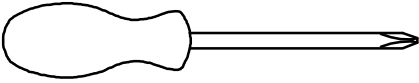
Panels-2pcs

C7




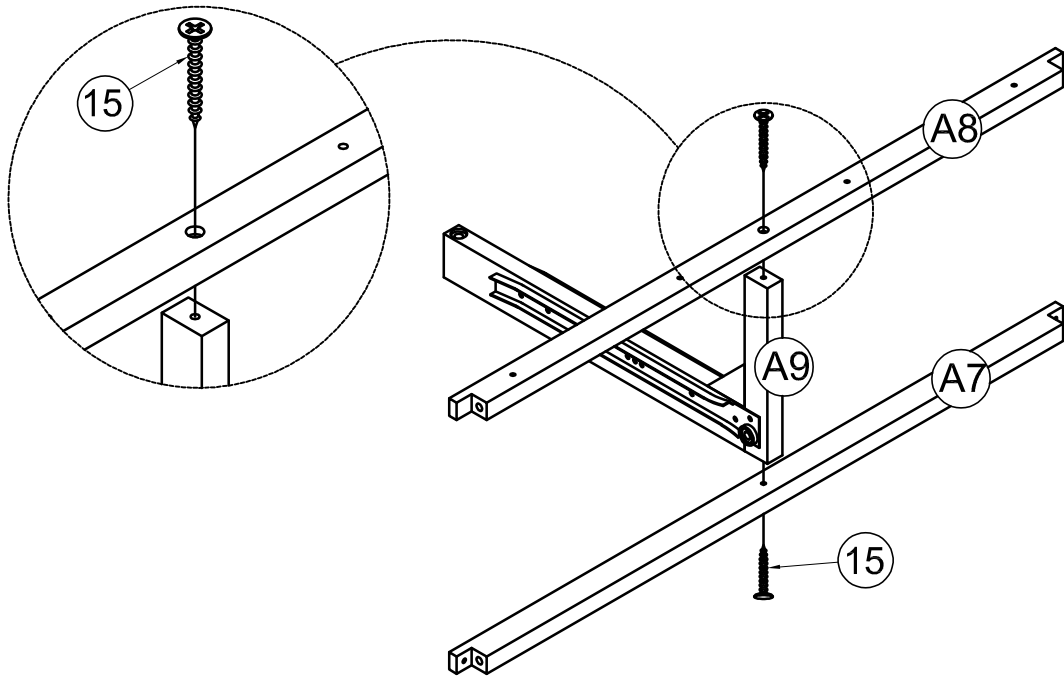
Panels-1pc

Hardware List (WF297097)


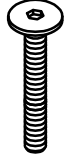
<p>1</p>  <p>Ø1/4" x 35 mm Hex-Head bolts 4pcs</p>	<p>2</p>  <p>Ø1/4" x 45 mm Hex-Head bolts 6pcs</p>	<p>3</p>  <p>Ø8 x 30 mm Wood dowel 16pcs</p>
<p>4</p>  <p>M4 x 20 mm Wood Screws 12pcs</p>	<p>5</p>  <p>4pcs</p>	<p>6</p>  <p>M4 x 30 mm Wood Screws 64pcs</p>
<p>7</p>  <p>M4 x 15 mm Wood Screws 26pcs</p>	<p>8</p>  <p>M4 x 25 mm Wood Screws 10pcs</p>	<p>9</p>  <p>Handle Wood 10pcs</p>
<p>10</p>  <p>Allen Key 1pc</p>	<p>11</p>  <p>6pcs</p>	<p>12</p>  <p>Safety Straps 2pcs</p>
<p>13</p>  <p>Brackets 4pcs</p>	<p>14</p>  <p>Screws 1/4" x70 1pc</p>	<p>15</p>  <p>M4 x 35 mm Wood Screws 6pcs</p>
<p>16</p>  <p>M4 x 40 mm Wood Screws 4pcs</p>	 <p>Assembly Tools Required (Not Included)</p>	

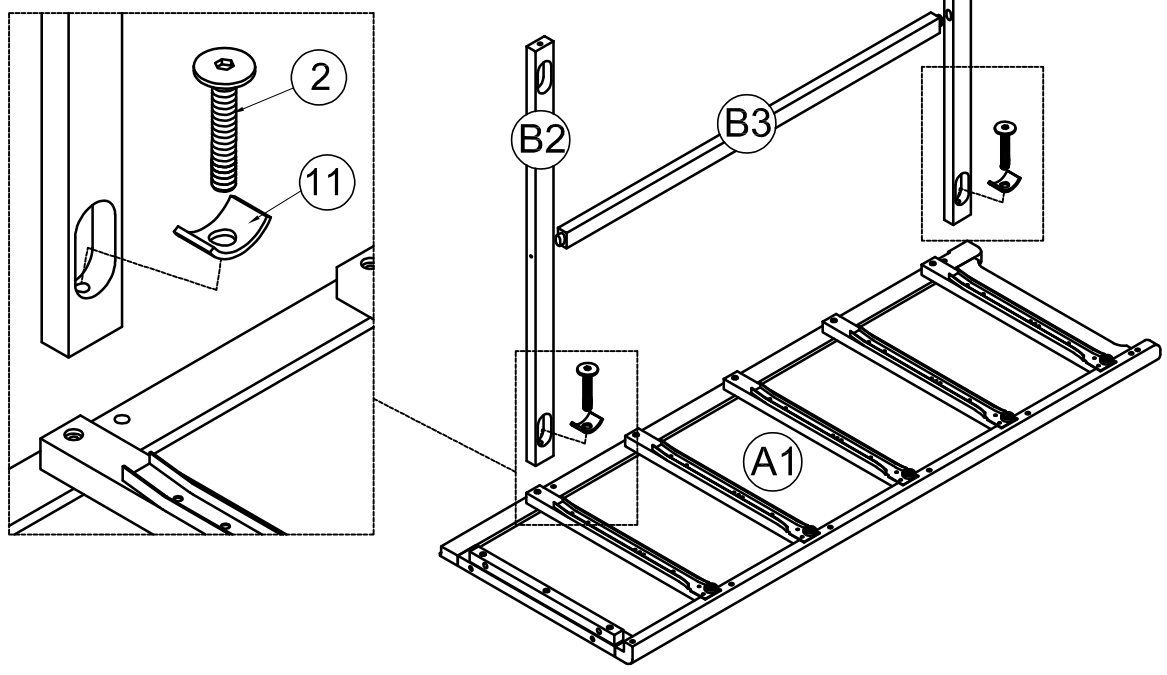
STEP1: Following below illustration.

15	
2(pcs)	

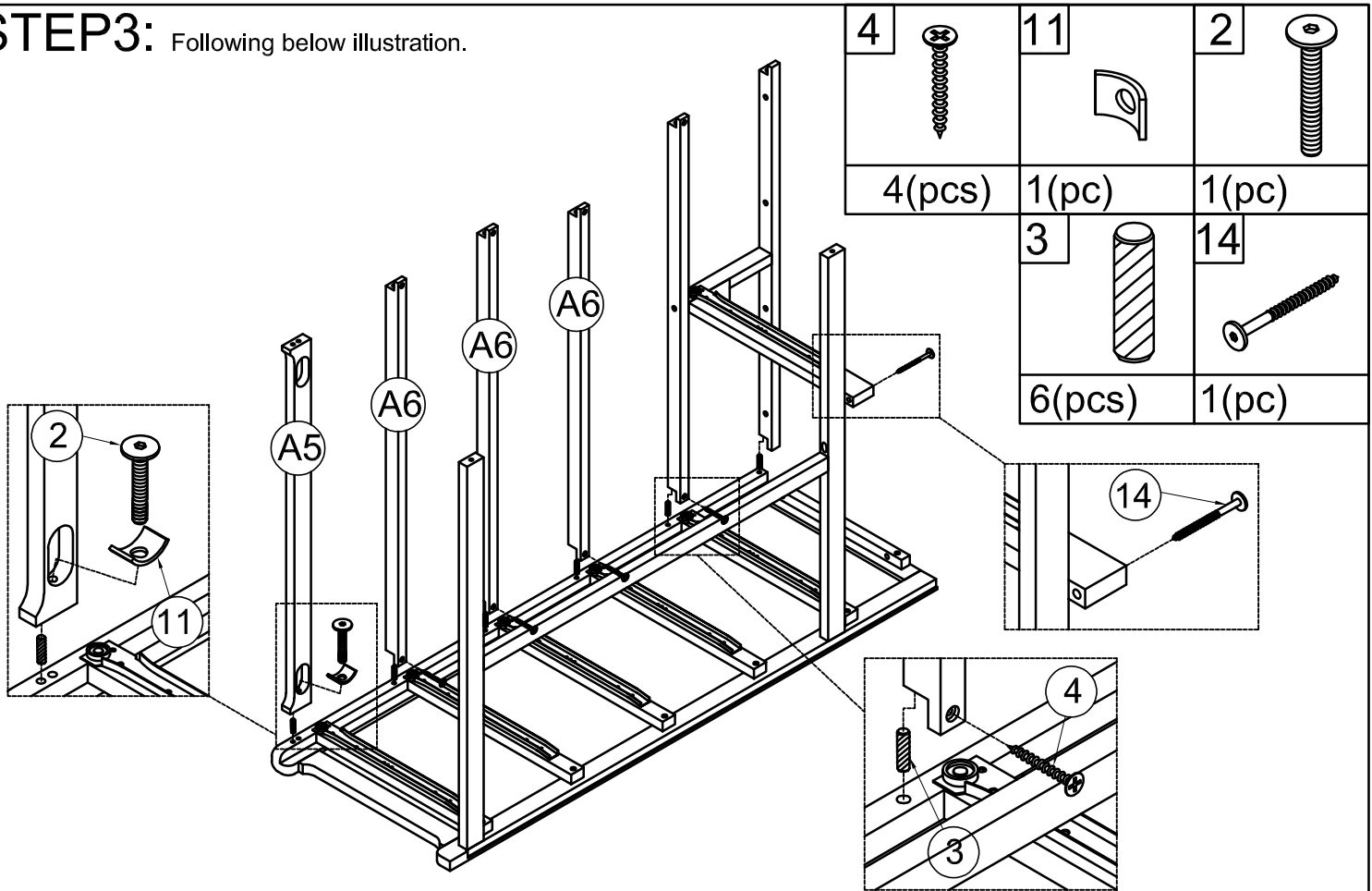


STEP2: Following below illustration.

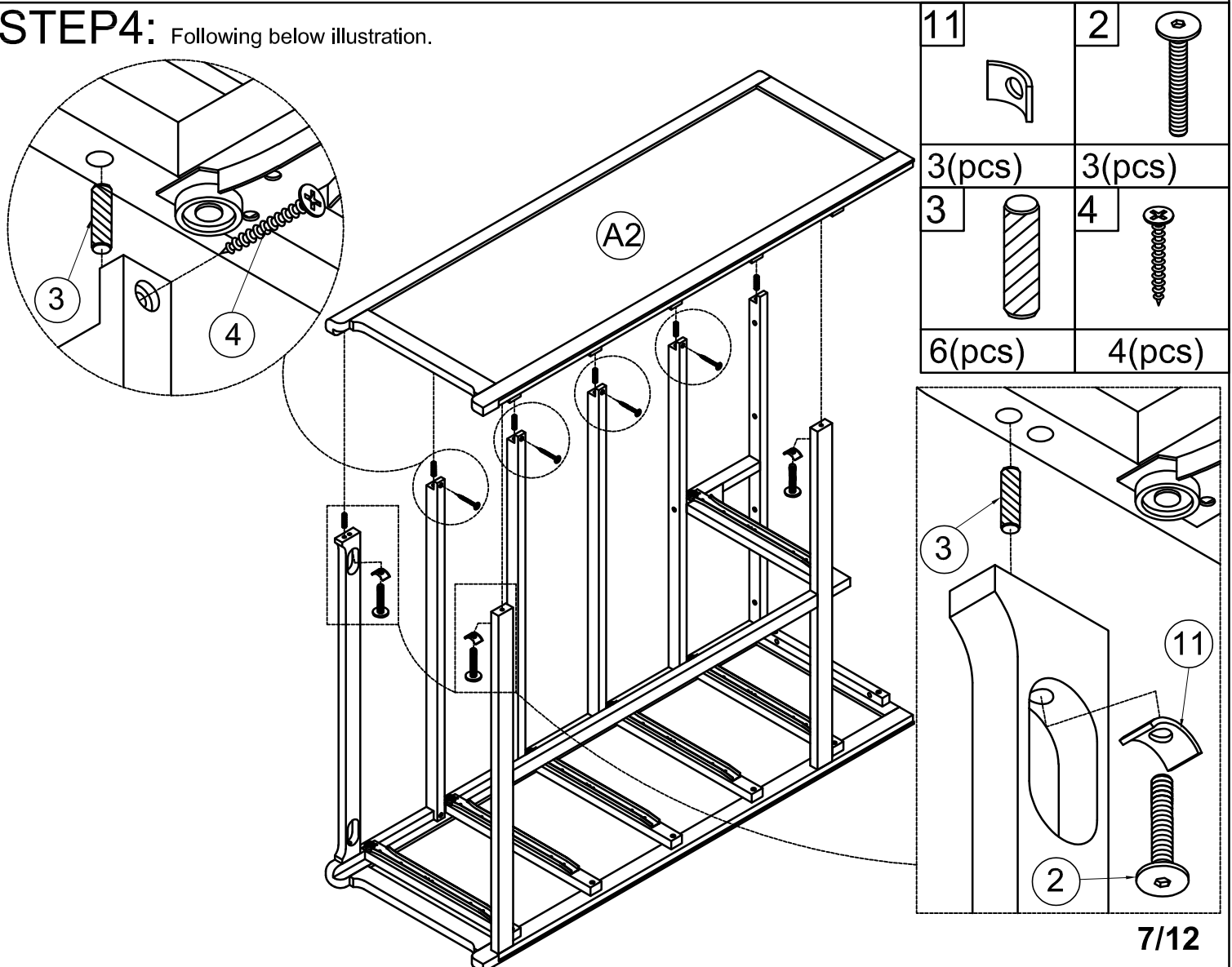
11		2	
2(pcs)		2(pcs)	



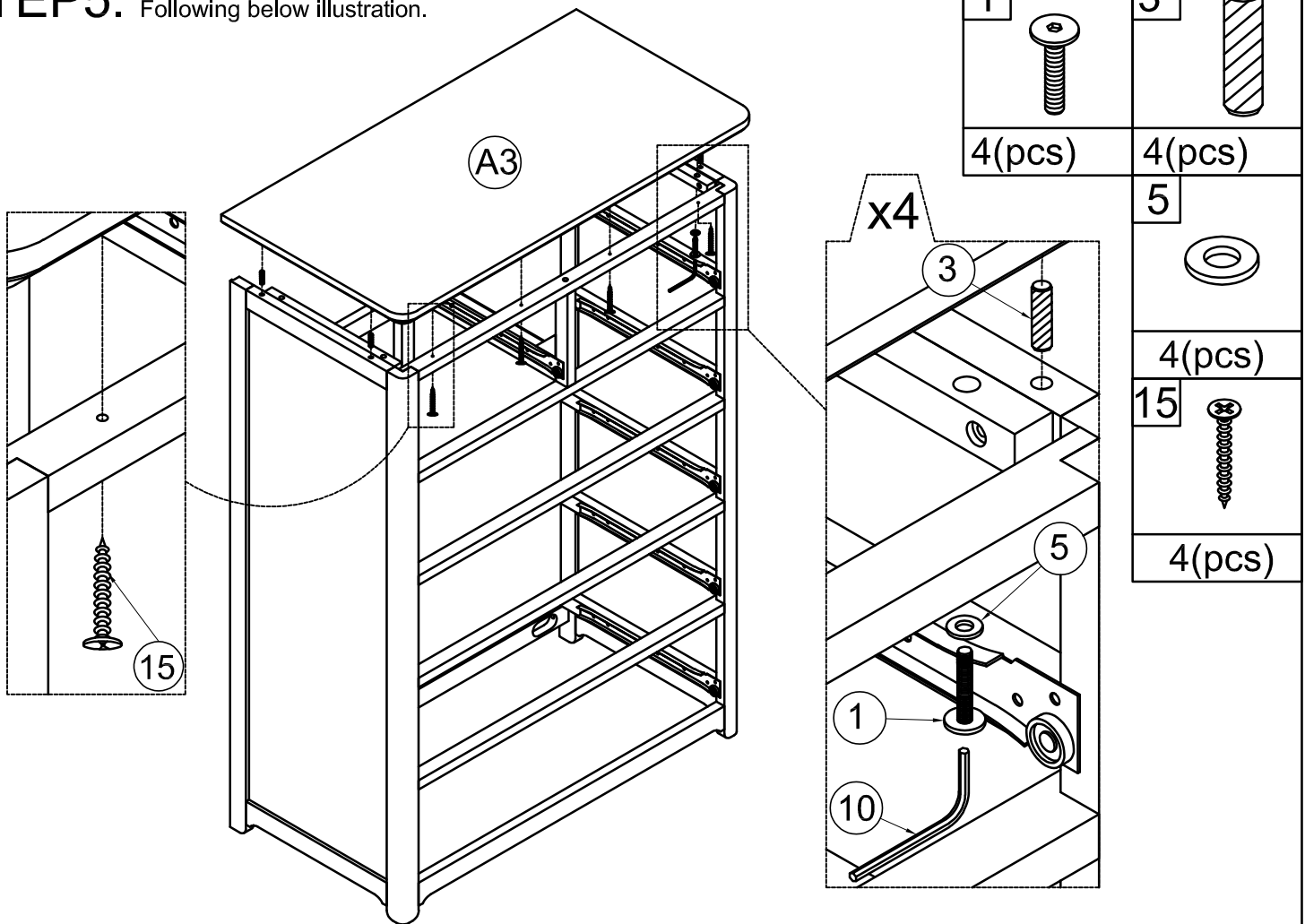
STEP3: Following below illustration.



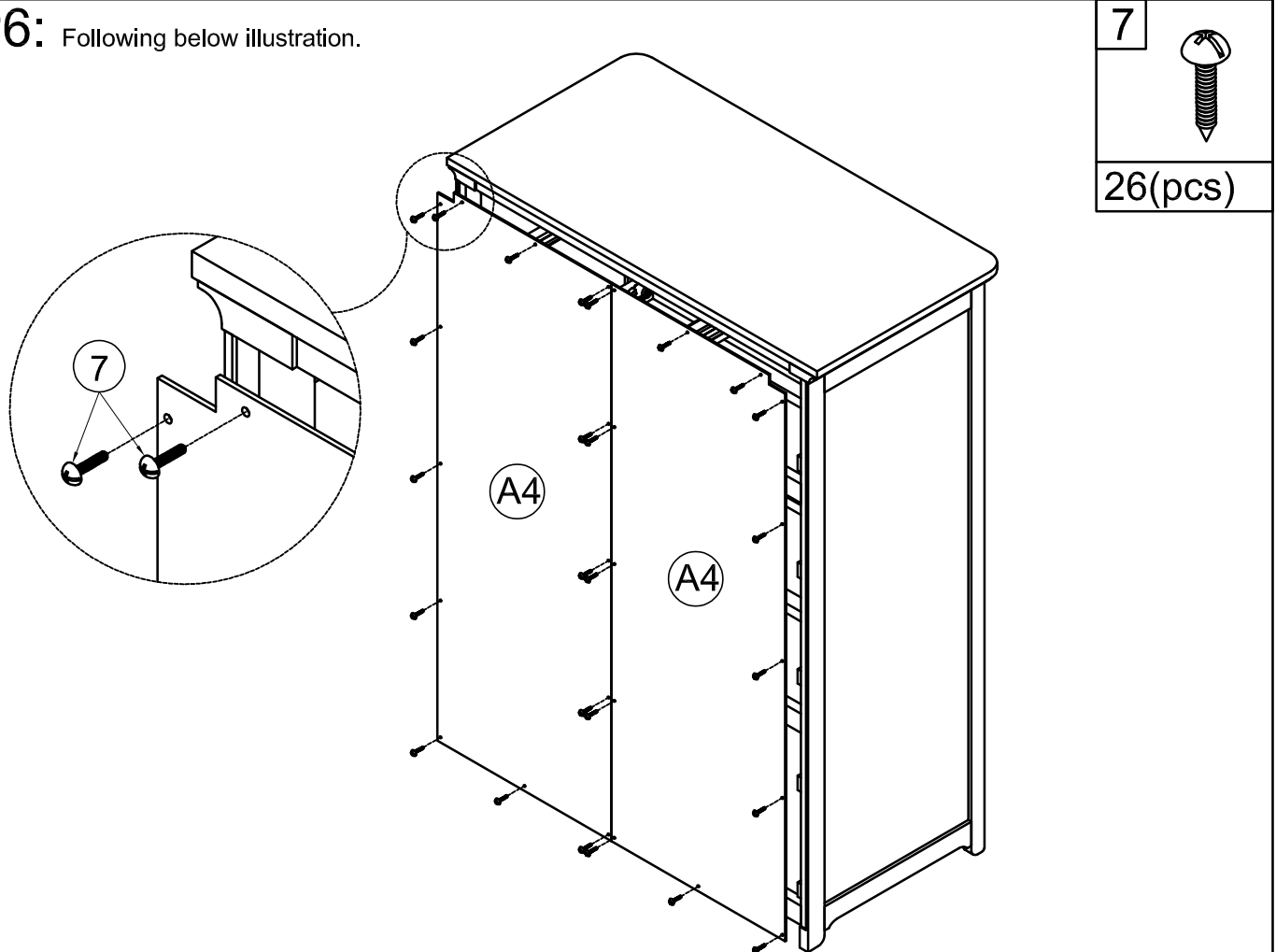
STEP4: Following below illustration.



STEP5: Following below illustration.

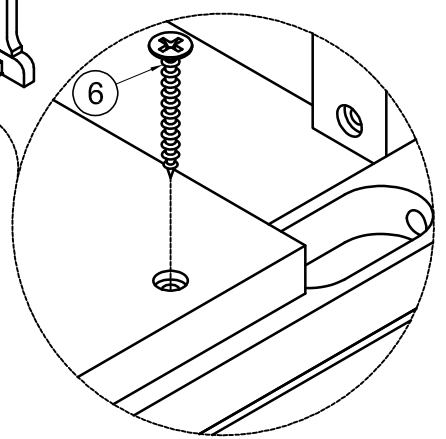
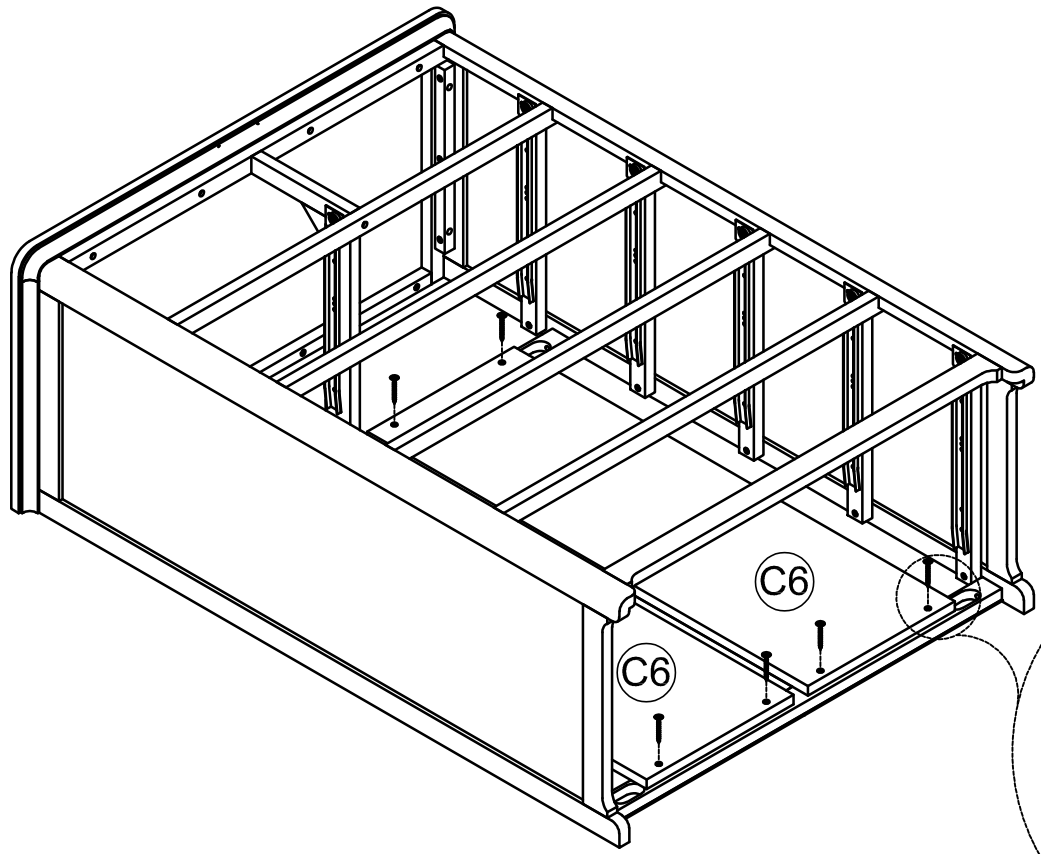


STEP6: Following below illustration.



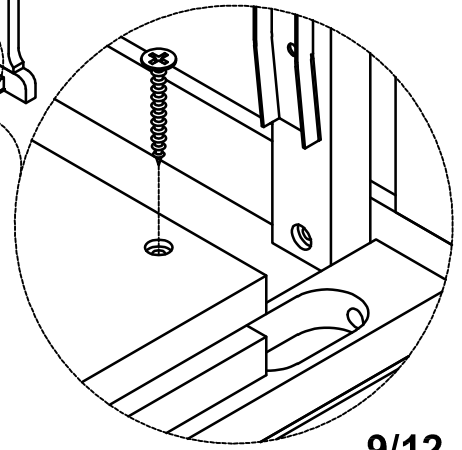
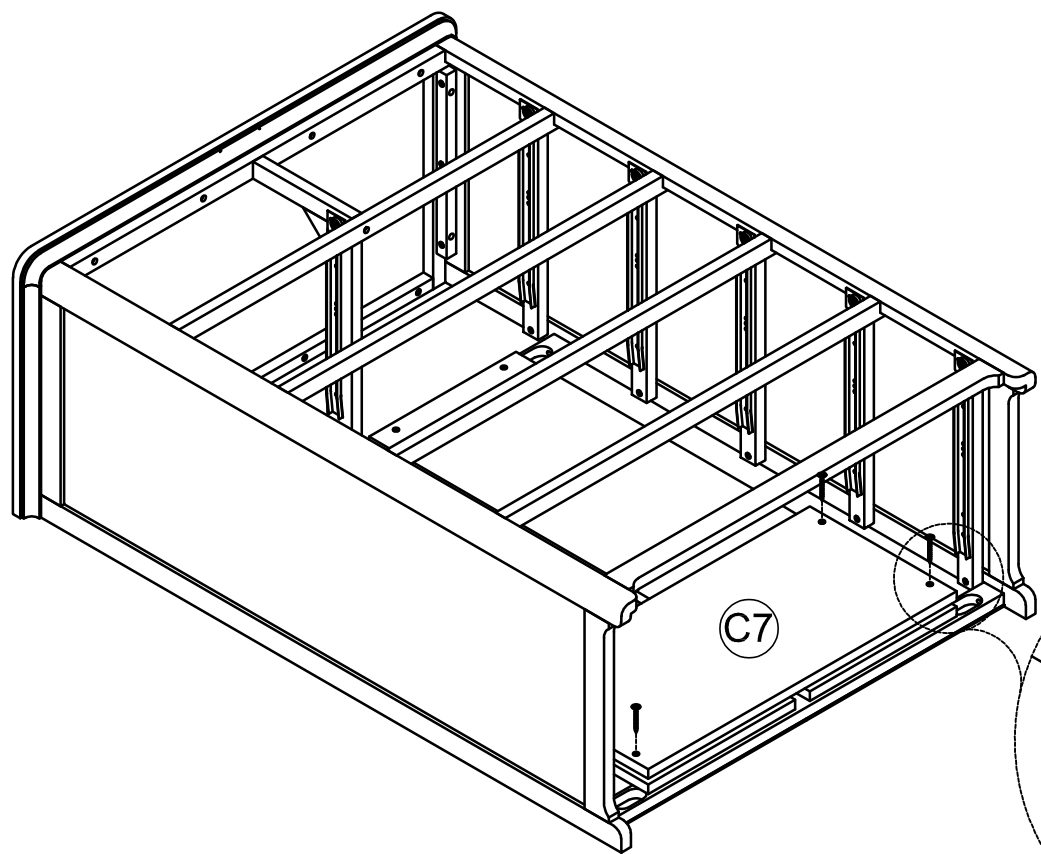
STEP7: Following below illustration.

6
8(pcs)

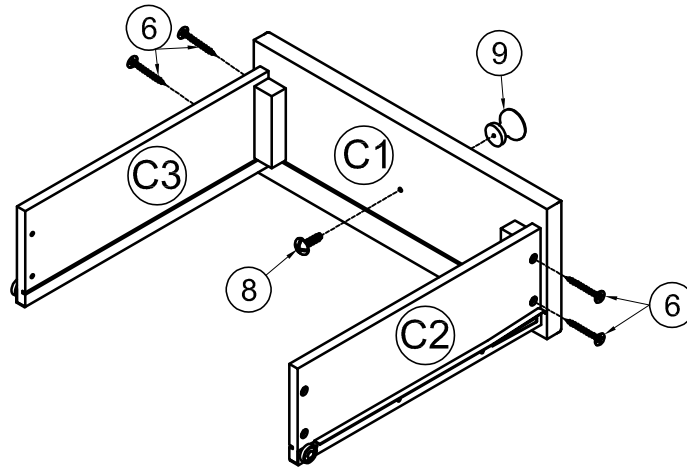





STEP8: Following below illustration.

6
4(pcs)

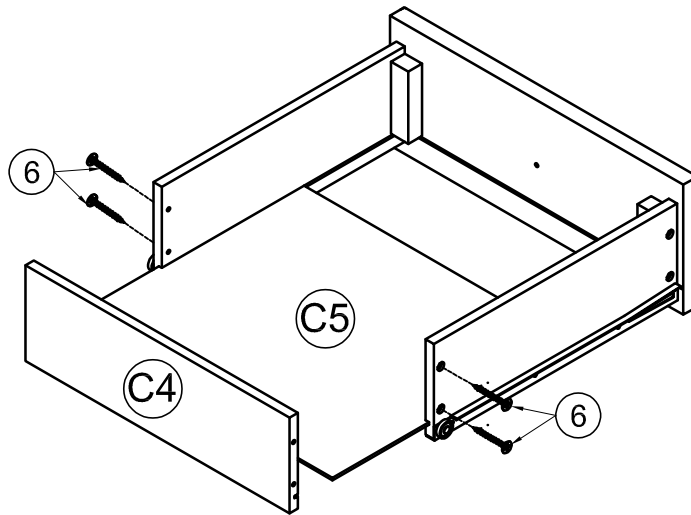



STEP9 x 2: Following below illustration.



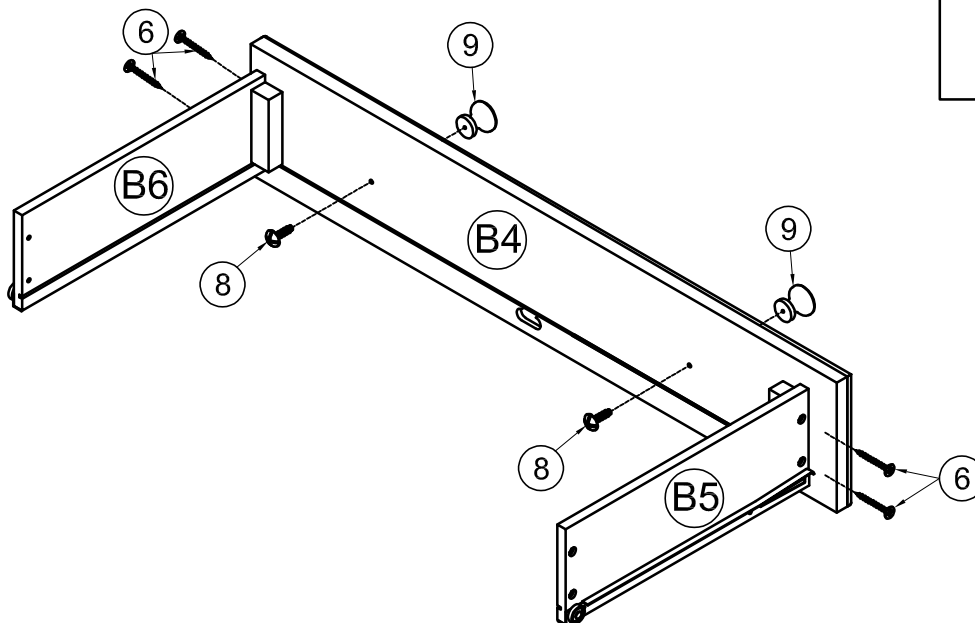
9	8
	
2(pcs)	2(pcs)
	6
	
	8(pcs)




STEP10 x 2: Following below illustration.



6

8(pcs)

STEP11 x 4: Following below illustration.



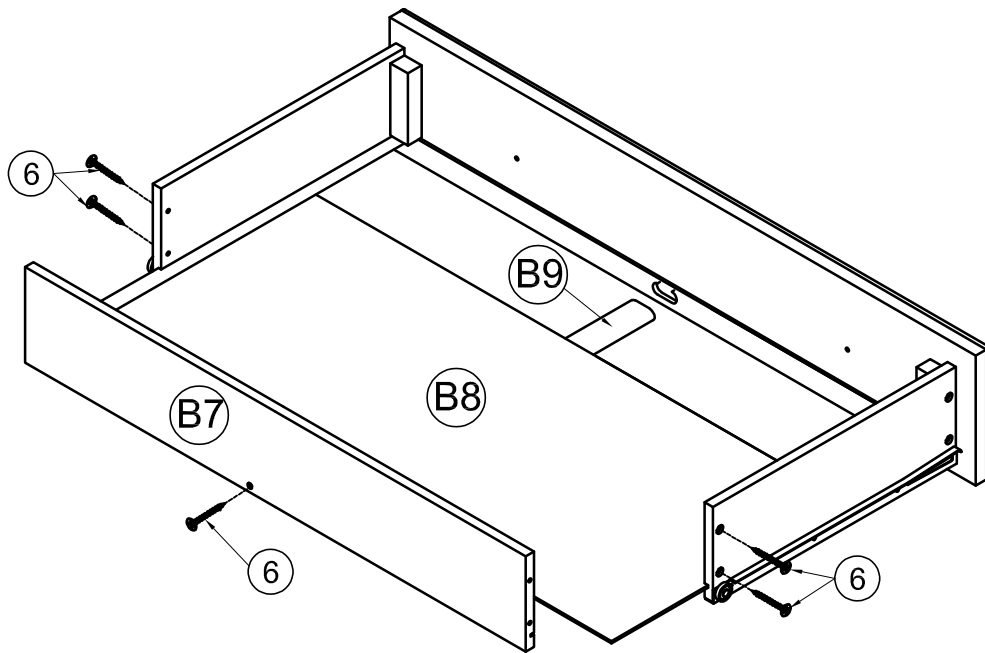
9	8
	
8(pcs)	8(pcs)
	6
	
	16(pcs)

STEP12 x 4: Following below illustration.

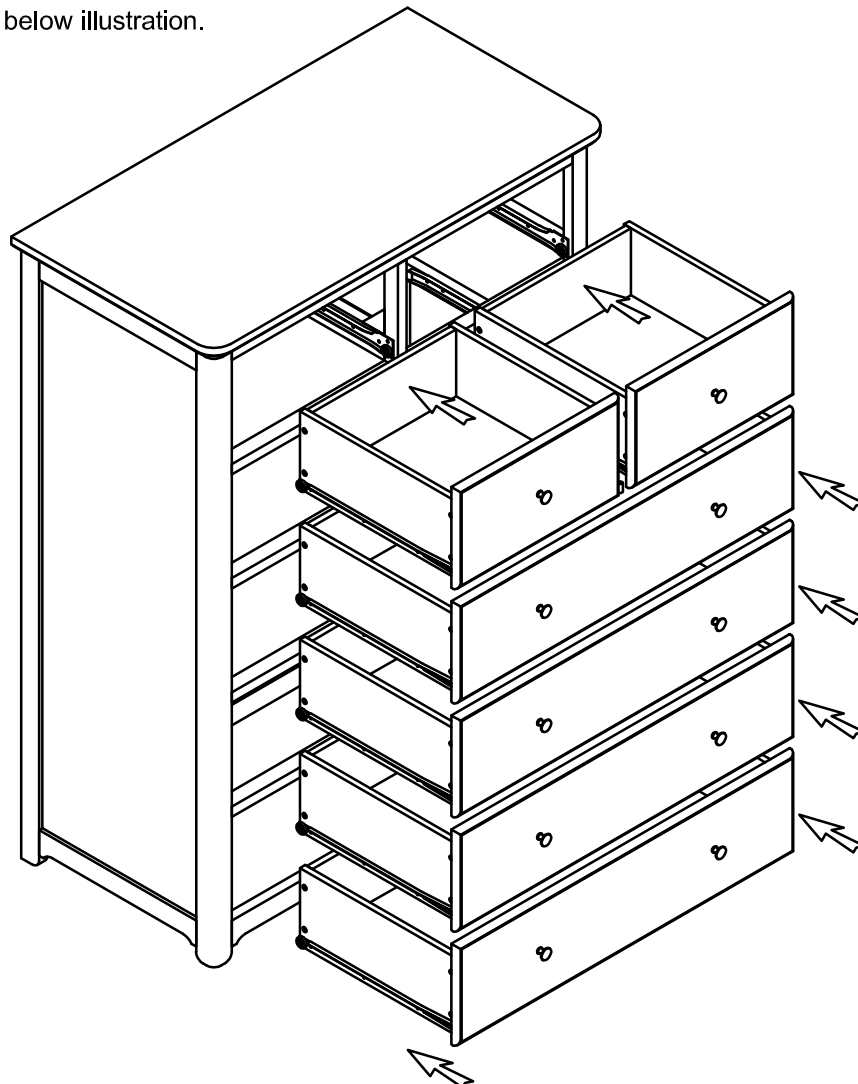
6



20(pcs)



STEP13: Following below illustration.

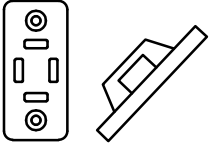


WALL STUD

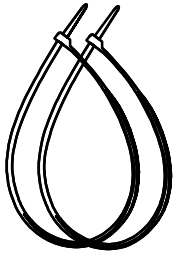
SAFETY BRACKET INSTRUCTIONS

PARTS ENCLOSED:

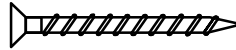
13 (4) BRACKETS



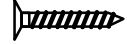
12 (2) SAFETY STRAPS



16 (4) 1-1/2" (3.8 cm) WOOD SCREWS



4 (4) 3/4" (1.9 cm) WOOD SCREWS

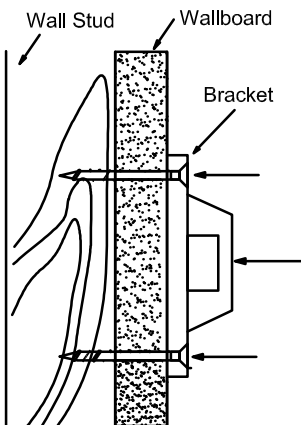


IMPORTANT: Tipping furniture can injure young children. Use of this safety bracket hardware is highly recommended. This safety hardware, when properly installed, can provide further protection against unexpected accidental tipping of furniture due to improper use.

Step 1

Attach a bracket to the wall board with the 1-1/2" (3.8 cm) wood screws provided:

- It is recommended that you locate a wall stud behind the furniture unit. If a wall stud is not used, a suitable "Hollow-Wall Anchor Bolt (not provided)" should be used in lieu of the wall stud.
- Position the wall bracket on the stud about 1" (2.5 cm) below the top the furniture piece.
- Mark the position for the bracket placement on the wall and drill a pilot hole into the stud.
- Attach the bracket to the wallboard with the 1-1/2" (3.8 cm) screws provided.



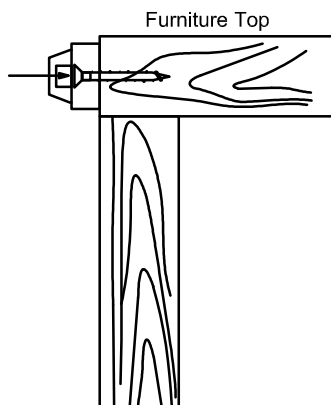
Step 2

To attach a bracket to the furniture frame below the top with the short 3/4" (1.9 cm) screws provided:

- Move the furniture piece temporarily to its final position to the wall.
- Mark the location of the bracket on the back of the furniture in relation to the previously mounted wall bracket.
- Move the furniture piece away from the wall mounted bracket and place the other bracket on the mark position on the back of the furniture piece.
- Drill a pilot hole as shown in the figure or into the back furniture frame.

Caution: Make sure you do not drill completely through the back of the furniture.

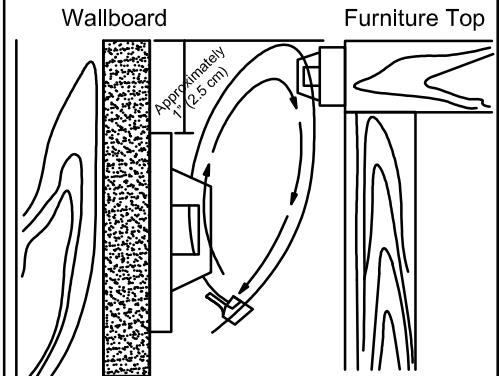
- Attach the bracket to the back of the furniture with the 3/4" (1.9 cm) screws provided.



Step 3

To attach the safety strap:

- Move the furniture back to its final position.
- Thread the safety strap through both of the mounted brackets as shown in the illustration.
- Tighten the strap until snug.
- Do not over tighten.



Important: Make sure the brackets are firmly attached to the wall stud and furniture frame and the safety strap is snug.

Warning: This product is not to be a substitute for proper parental supervision which is the only proper deterrent to prevent improper use of this unit. The manufacturer assumes no liability for improper installation or excessive loads placed on the safety straps, bracket or mounting screws. This hardware will not insure against tipping.

Note: For taller or heavier pieces of furniture, two safety brackets may be installed.

GIGACLOUD TECHNOLOGY(USA) INC
18961 ARENTH AVENUE,
CITY OF INDUSTRY, CA, 91748
626-912-8886 Ext.100
Made in Binh Duong, Viet Nam
10/2023