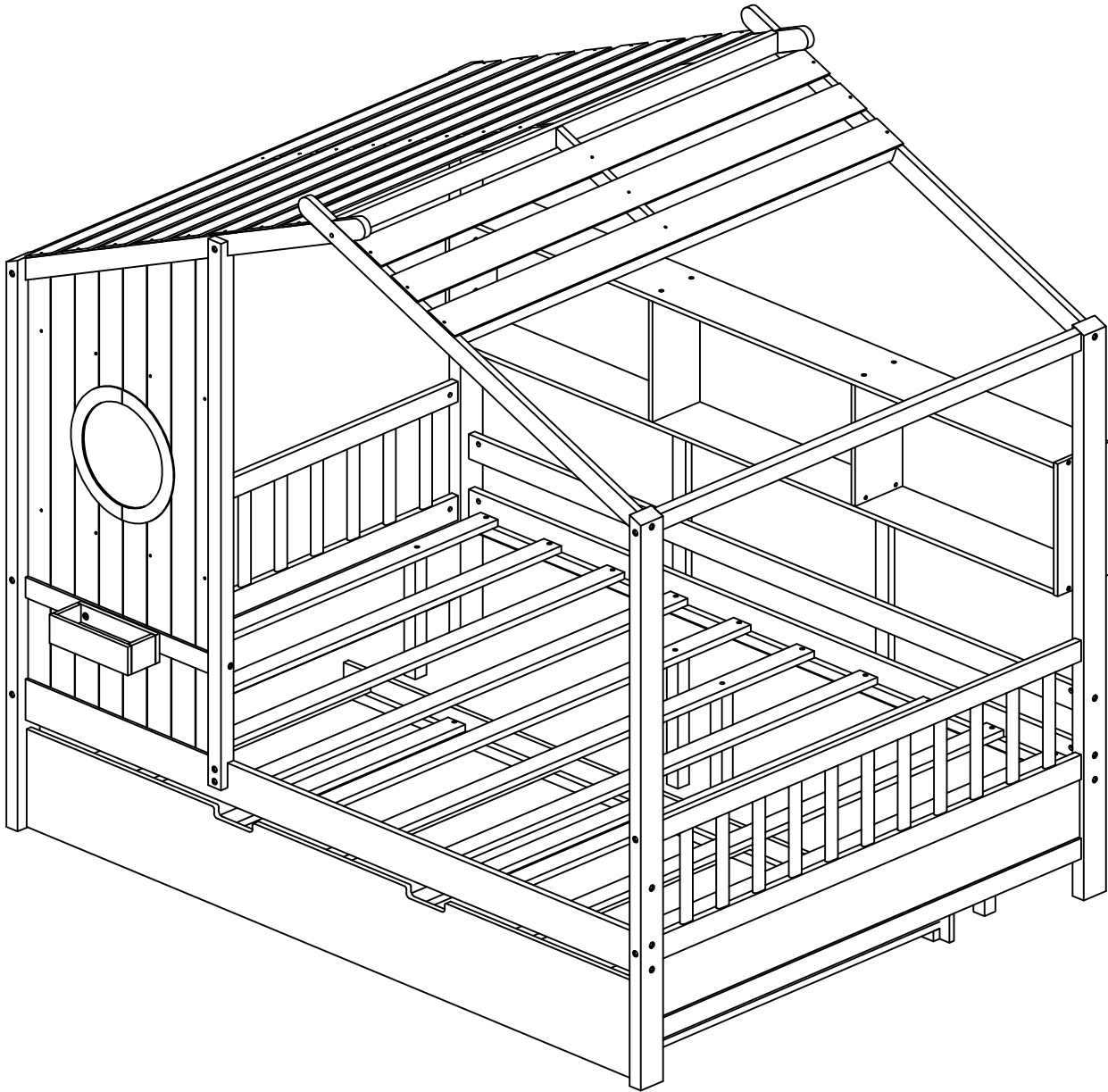
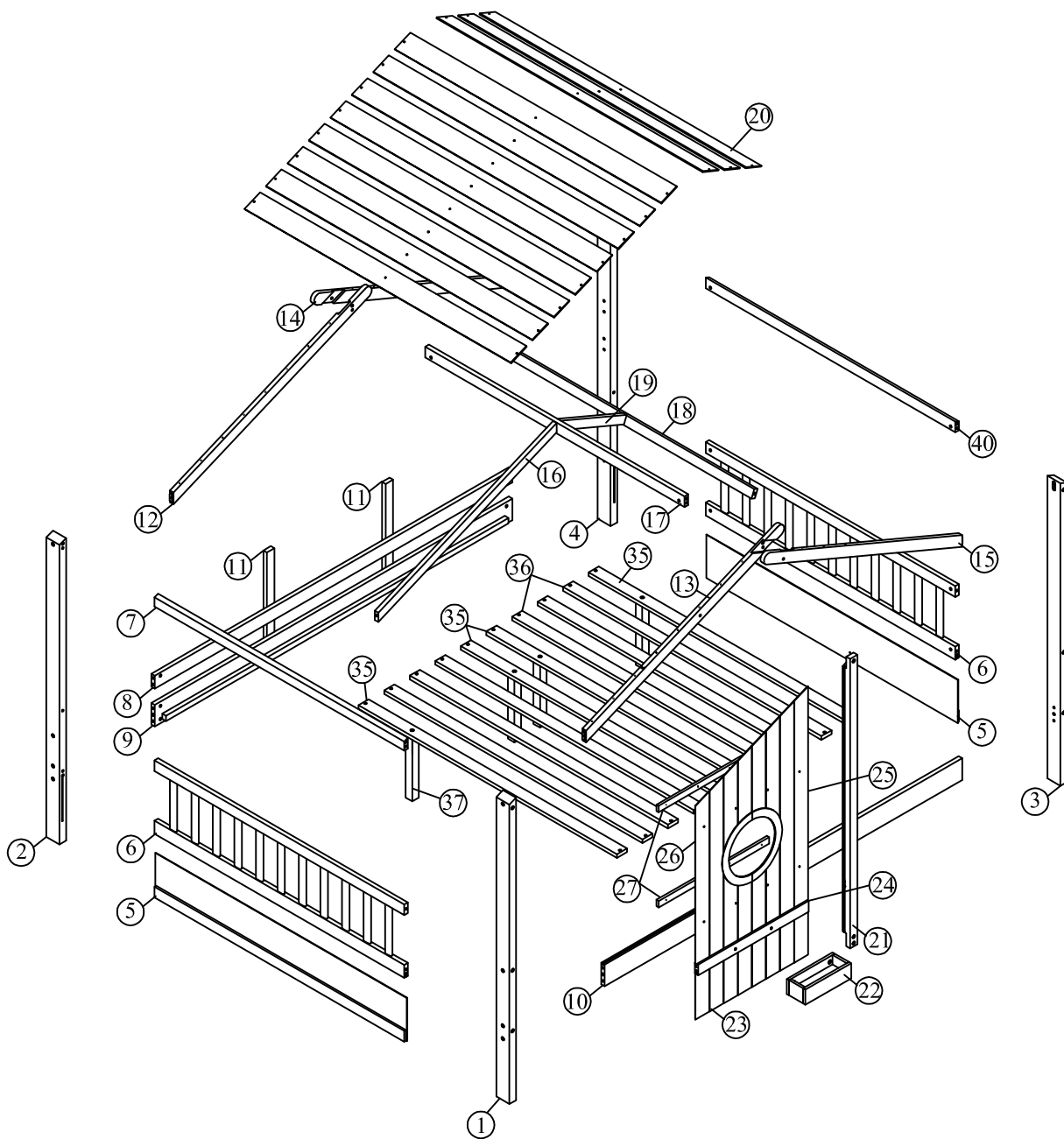


ASSEMBLY INSTRUCTION

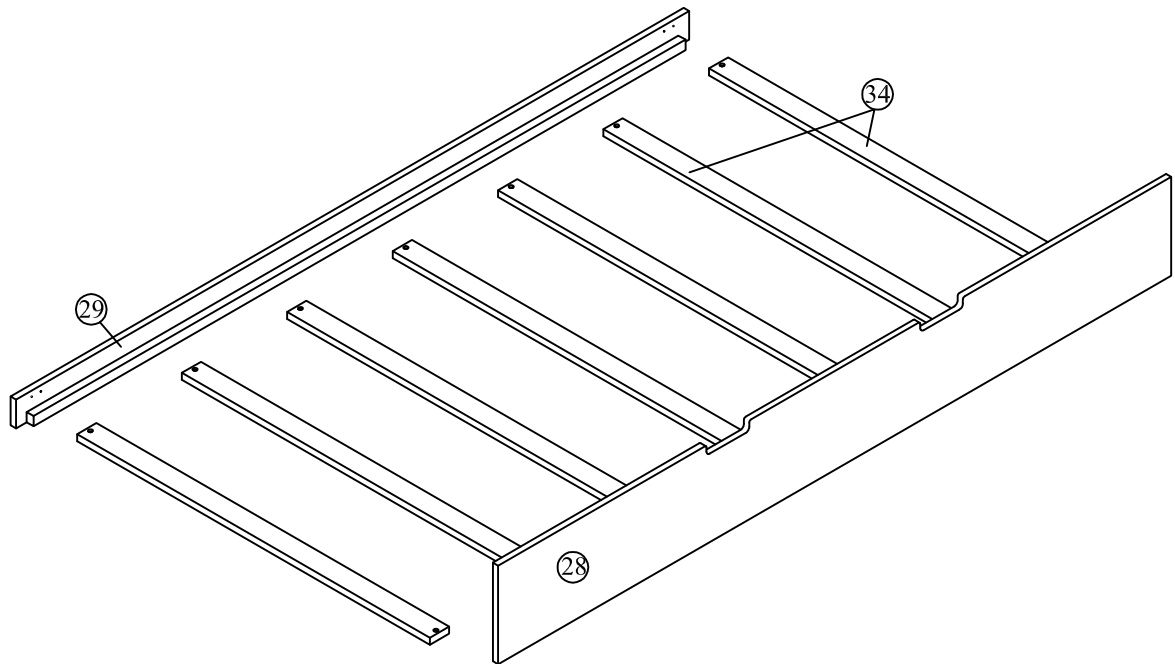
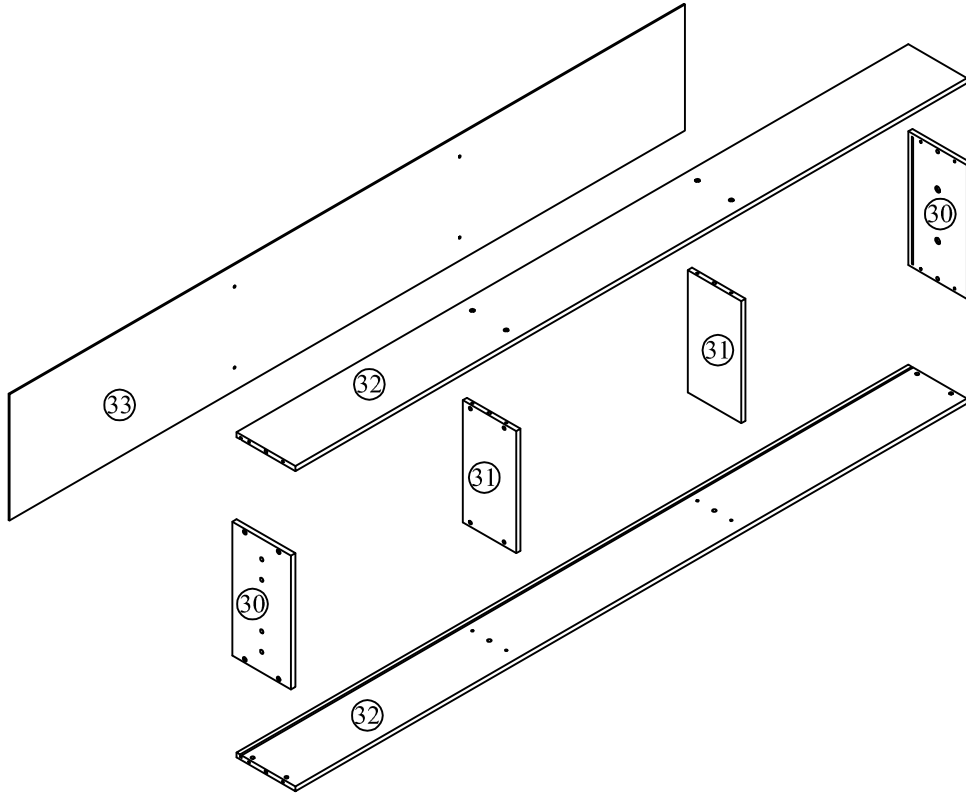
SKU CODE: WF324647/WF324648



Detail view

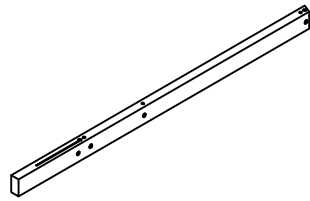


Detail view



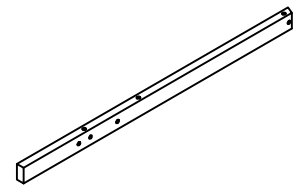
Part List (WF324647)

① x1



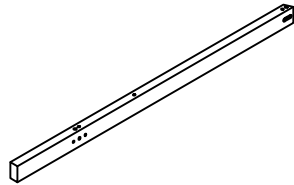
Front Left Leg

② x1



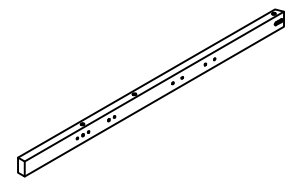
Back Left Leg

③ x1



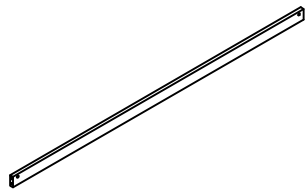
Front Right Leg

④ x1



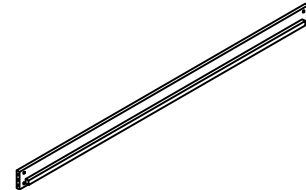
Back Right Leg

⑧ x1



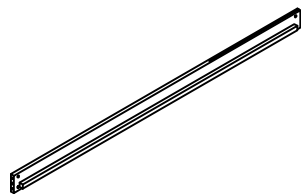
Guard Side Rail

⑨ x1



Side Rail

⑩ x1



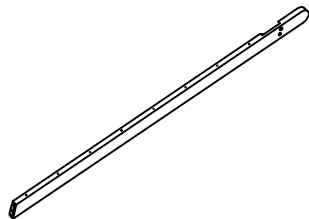
Side Rail

⑪ x2



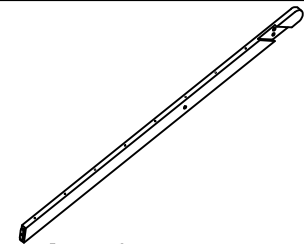
Support Side Rail

⑫ x1



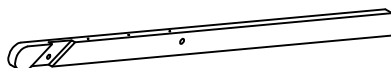
Back Left Roof Rail

⑬ x1



Front Left Roof Rail

⑭ x1



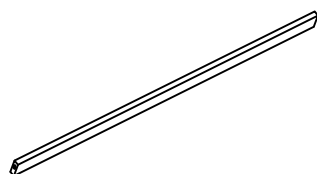
Back Right Roof Rail

⑮ x1



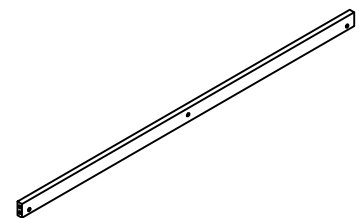
Front Right Roof Rail

⑯ x1



Roof Rail

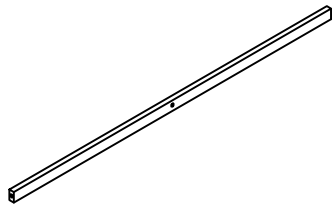
⑰ x1



Roof Rail

Part List (WF324647)

①⑧ x1



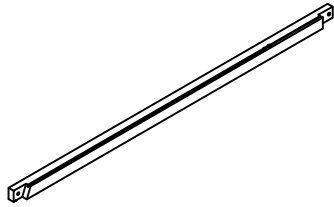
Roof Rail

①⑨ x1



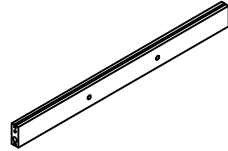
Roof Rail

②① x1



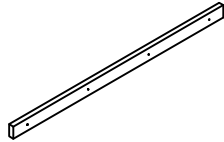
Front Vertical Post

②④ x1



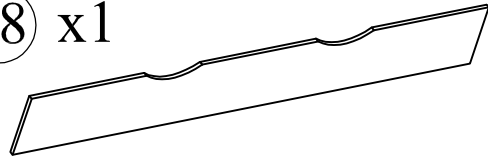
Frame Panel

②⑦ x2



Frame Panels

②⑧ x1



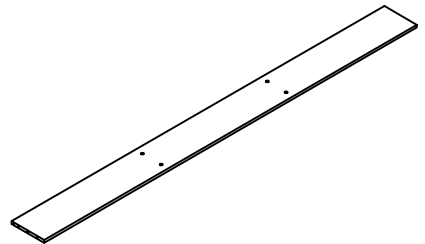
Front Trunle

②⑨ x1



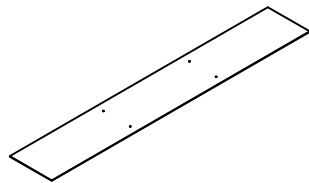
Back Trunle

③② x2



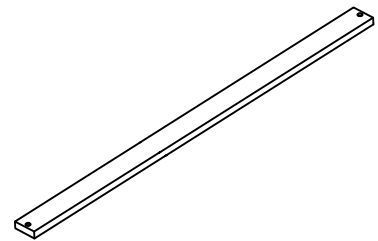
Shelf

③③ x1



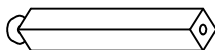
Back Shelf

③④ x7



Slats

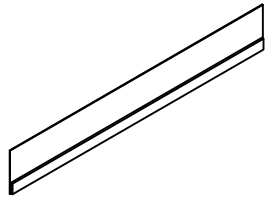
③⑦ x4



Support Slats

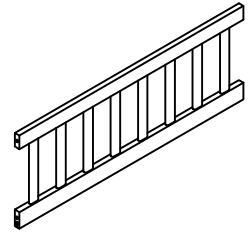
Part List (WF324648)

⑤ x2



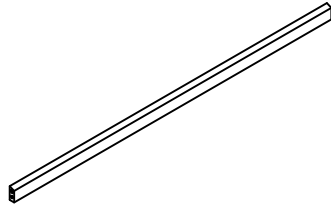
Panel Frames Headboard - Footboard

⑥ x2



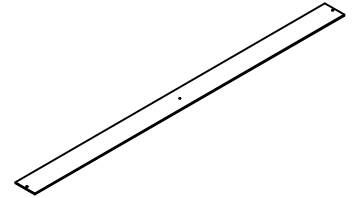
Frames Headboards

⑦ x1



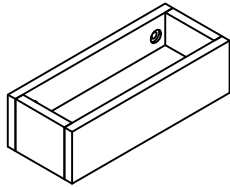
Headboard Guards

⑳ x11



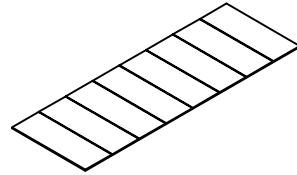
Panel Roof Rail

㉒ x1



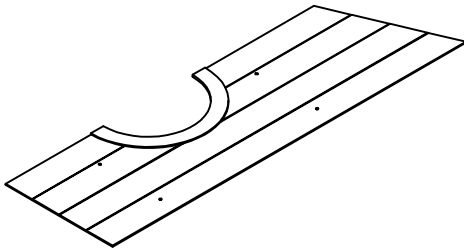
Box

㉓ x1



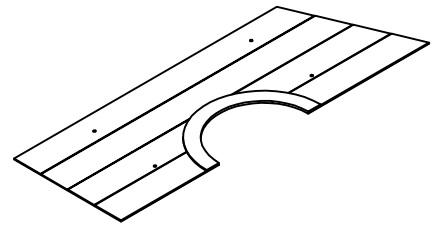
Panel

㉕ x1



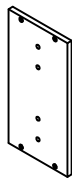
Panel

㉖ x1



Panel

③① x2



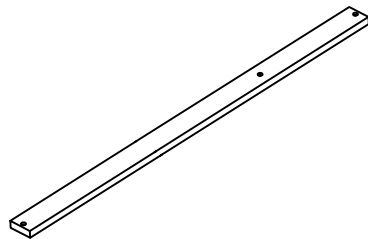
Side Shelf

③① x2



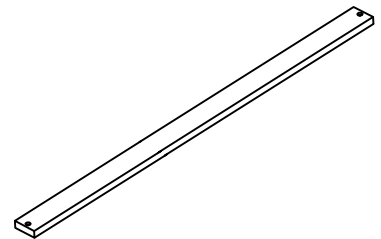
Shelf

③⑤ x4



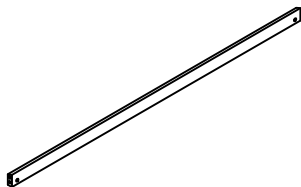
Slats

③⑥ x6




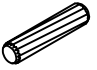

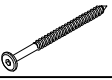





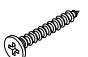





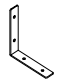
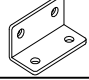



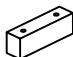
Slats

④① x1

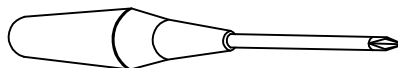


Foodboard Guard

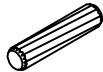

Hardware List (WF324647)

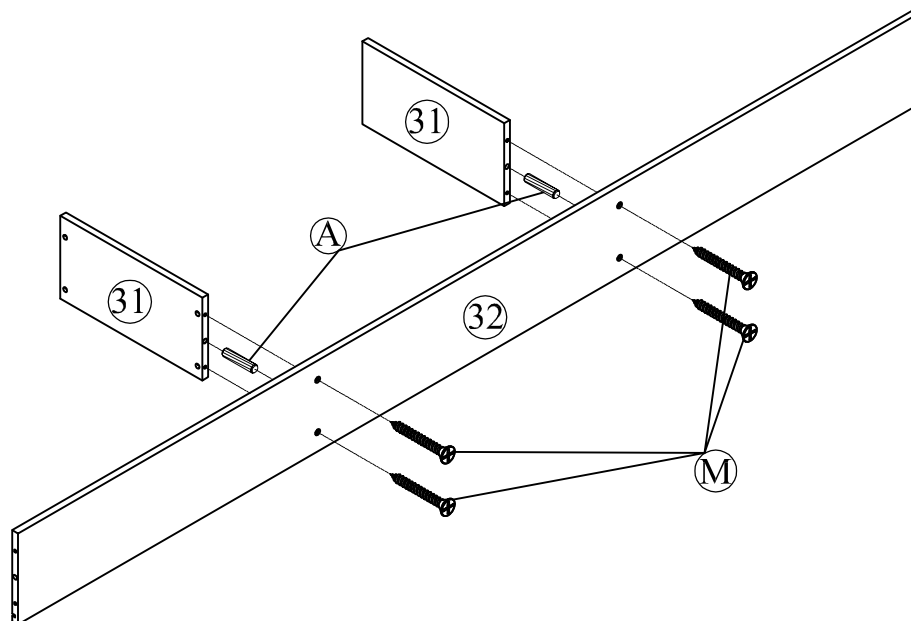
No.	OUTLOOK	DESC	QTY
(A)		Dowel Ø8*30mm	12
(B)		Dowel Ø10*40mm	23
(C)		Screws Ø6.5*30mm	4
(D)		Screws Ø6.5*70mm	6
(E)		Bolts 1/4"*25mm	2
(F)		Bolts 1/4"*30mm	11
(G)		Bolts 1/4"*70mm	12
(H)		Bolts 1/4"*100mm	12
(I)		Cross dowel 1/4"*13mm	24
(J)		Screws #6*12mm	40
(K)		Screws #8*12mm	4
(L)		Screws #8*30mm	40
(M)		Screws #8*40mm	16
(N)		Round head screw #8*12mm	8
(O)		Round head screw #8*20mm	37
(P)		Base L big	2
(Q)		Base L small	2
(R)		Allen key 60*22*4mm	1
(S)		Base L	6
(T)		Wheels	4
(U)		Stop Wood	3

ASSEMBLY TOOLS REQUIRED (NOT INCLUDED)

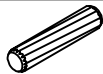



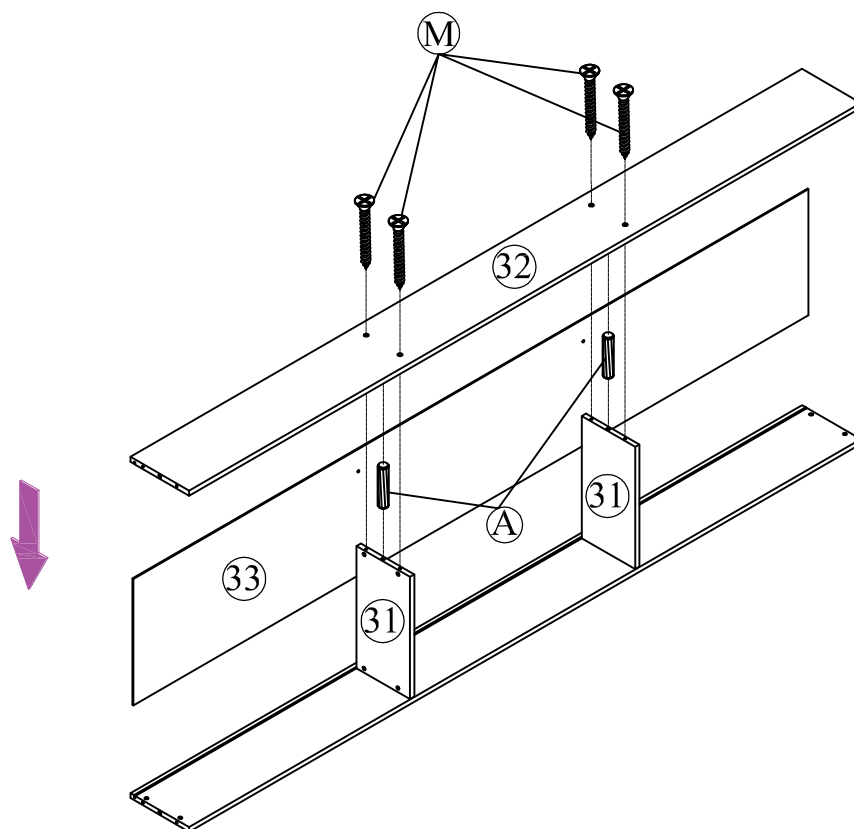
STEP 1:

(A)		02
(M)		04

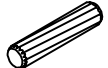



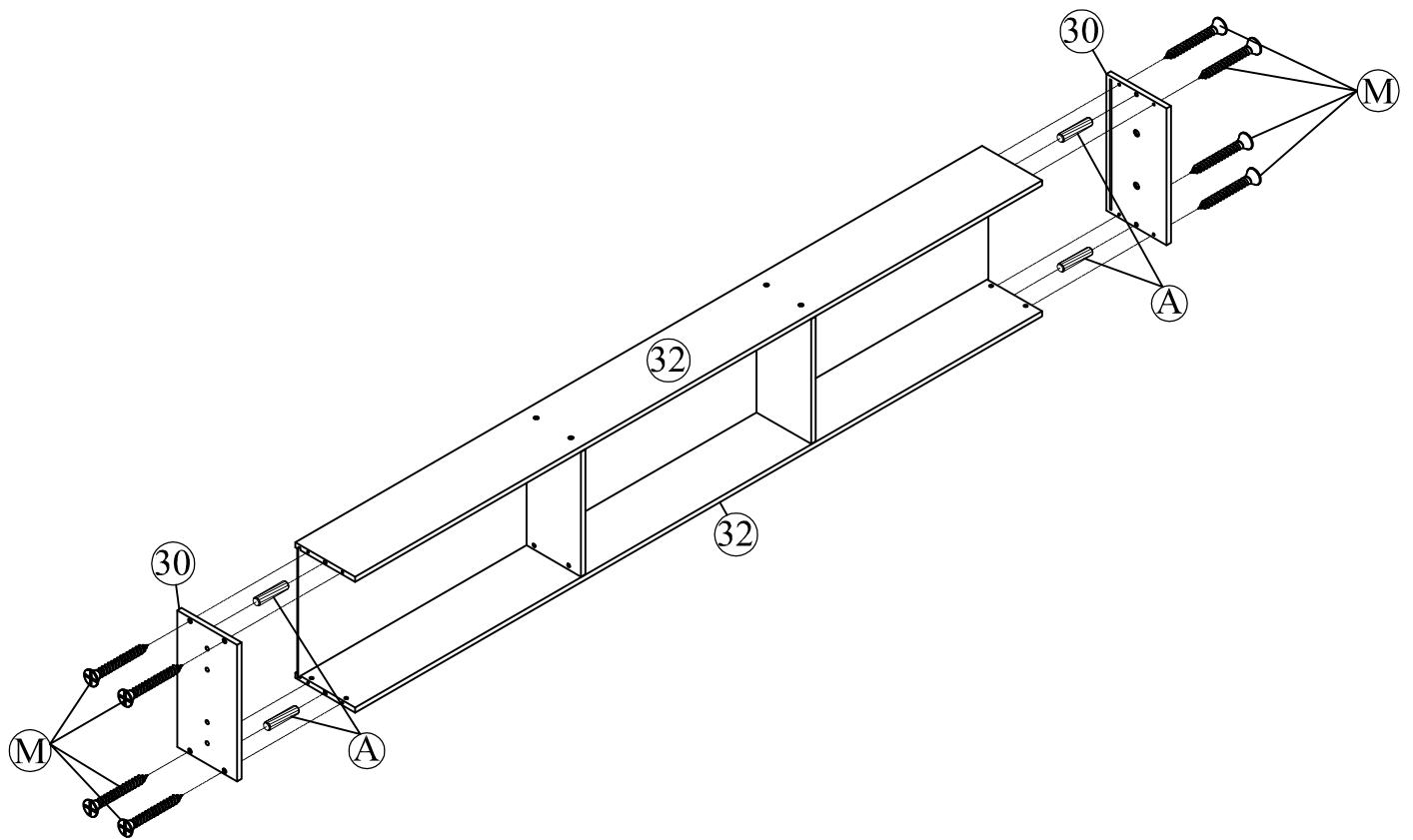
STEP 2:

(A)		02
(M)		04



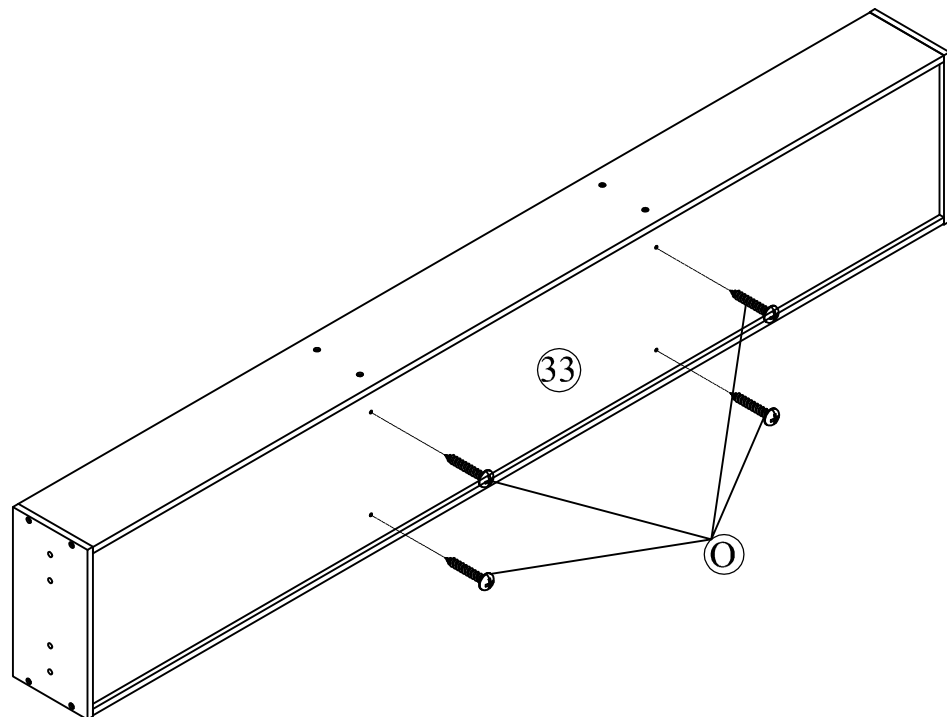
STEP 3:

(A)		04
(M)		08

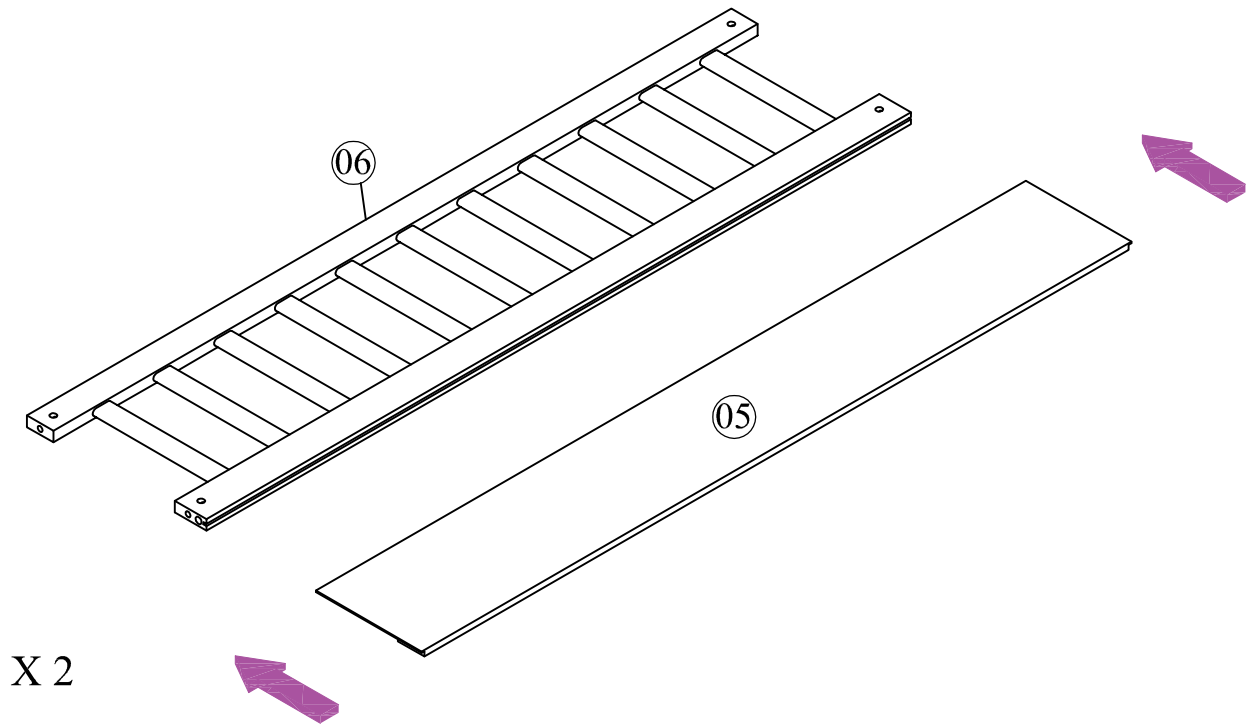


STEP 4:

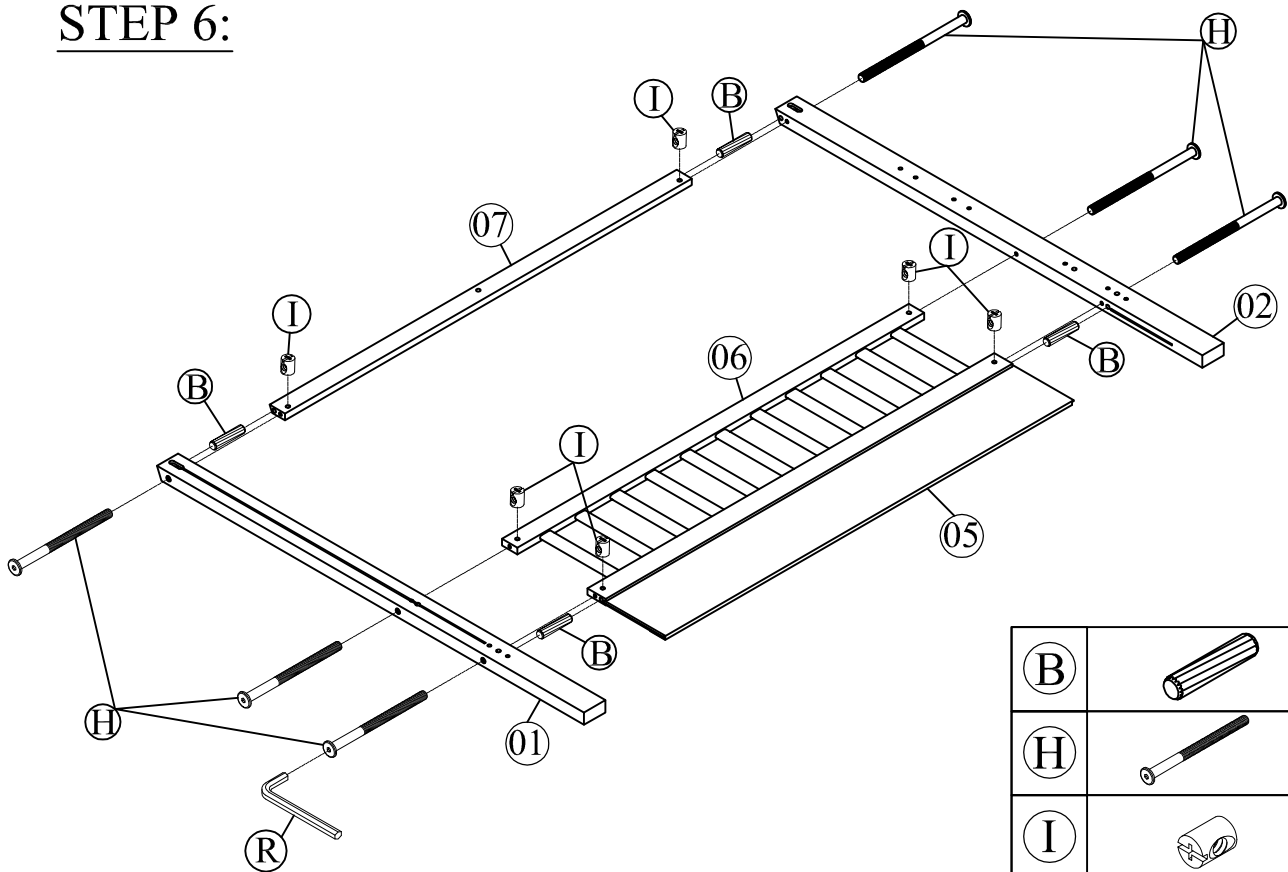
(O)		04
-----	---	----

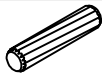
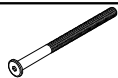




STEP 5:

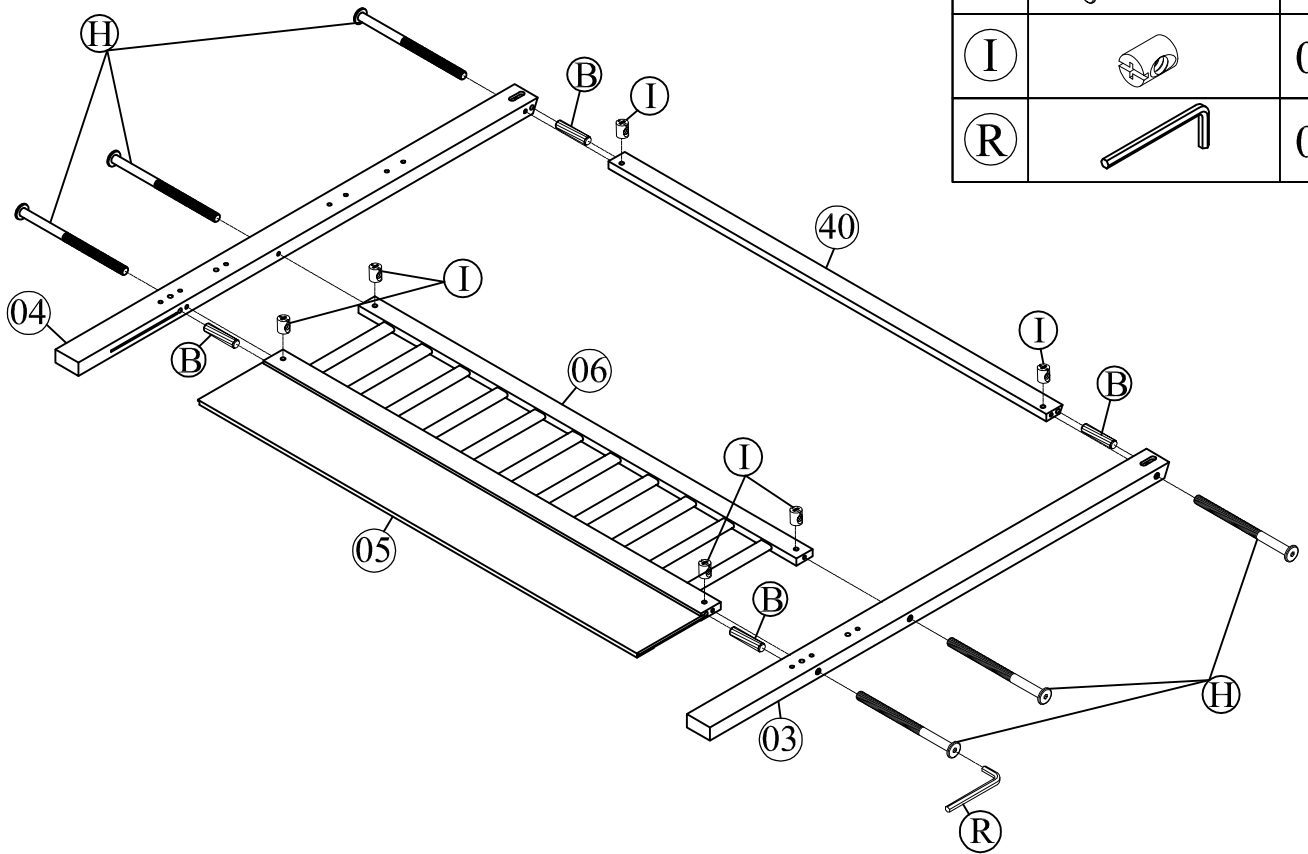


STEP 6:



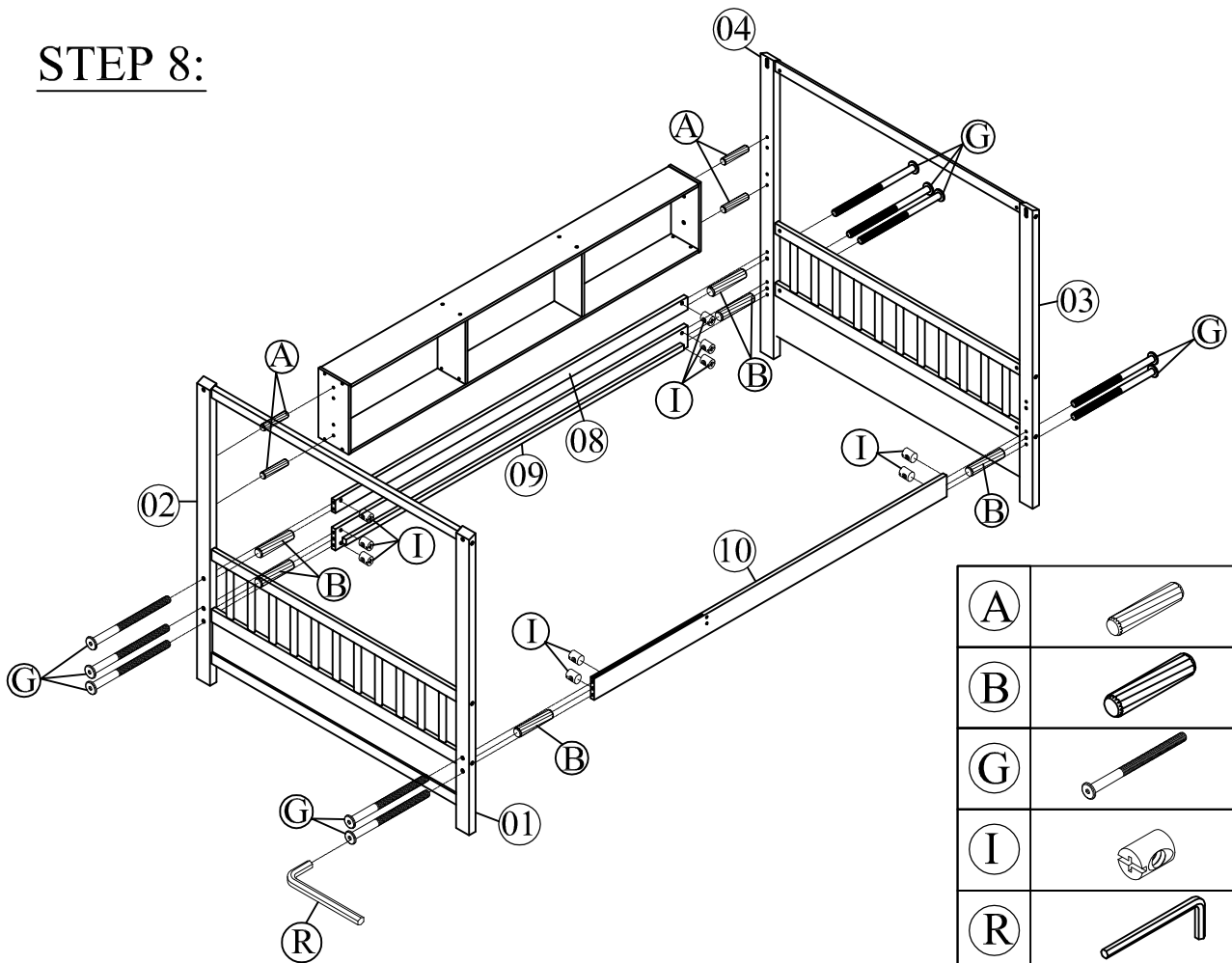
(B)		04
(H)		06
(I)		06
(R)		01

STEP 7:



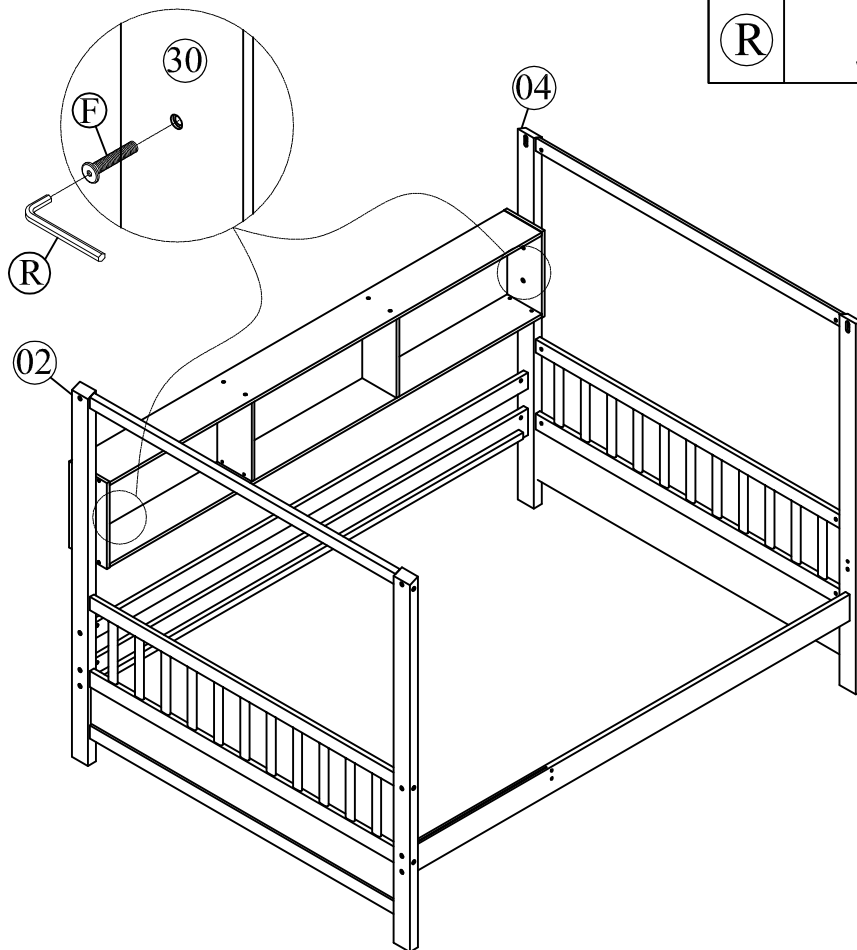
(B)		04
(H)		06
(I)		06
(R)		01

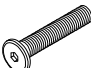

STEP 8:



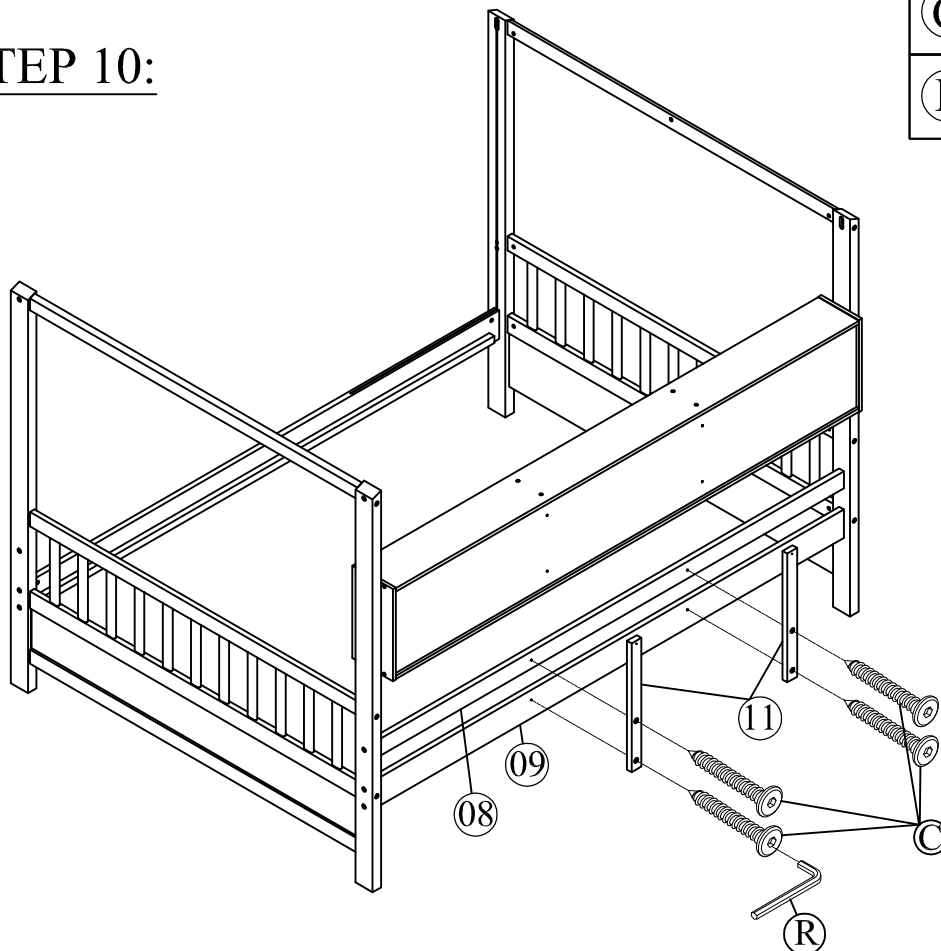
(A)		04
(B)		06
(G)		10
(I)		10
(R)		01

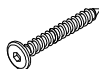

STEP 9:



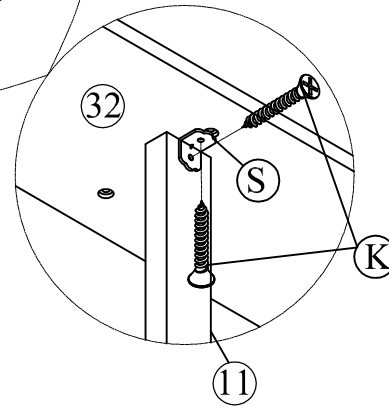
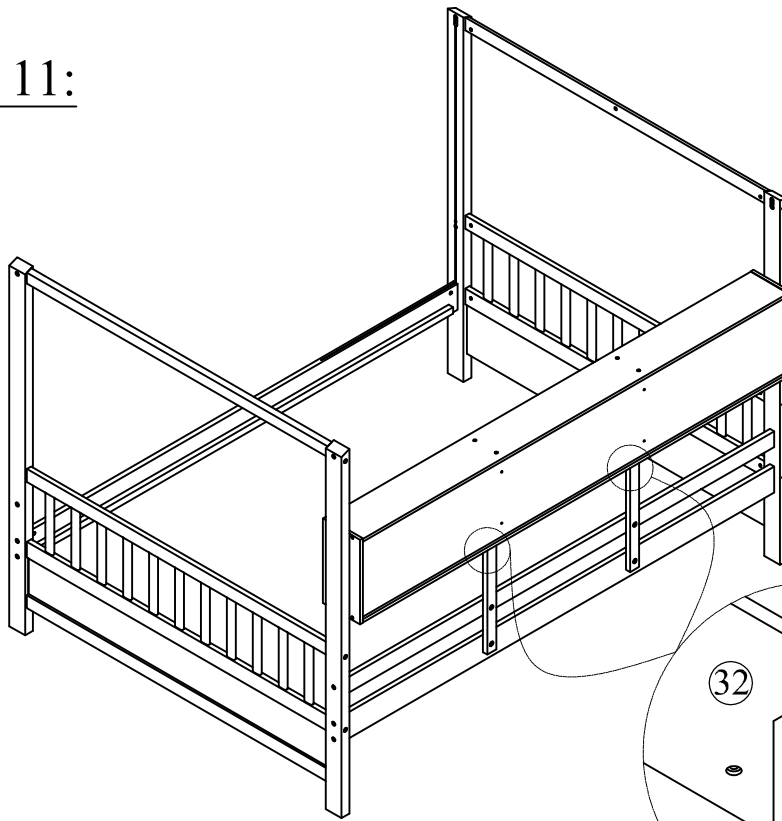
(F)		04
(R)		01

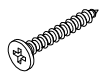

STEP 10:



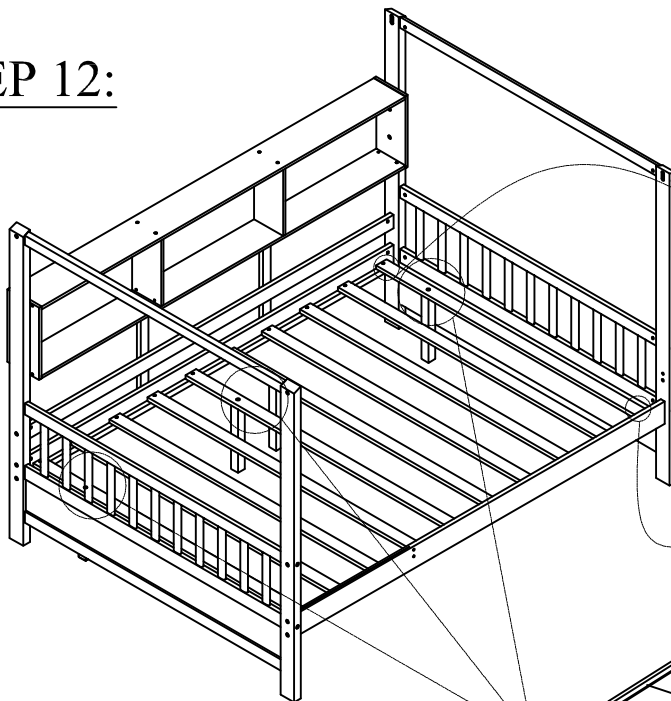
(C)		04
(R)		01

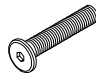
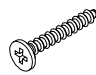

STEP 11:

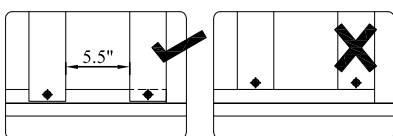
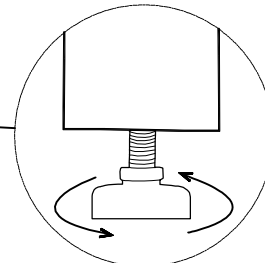
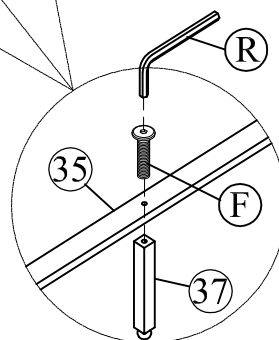
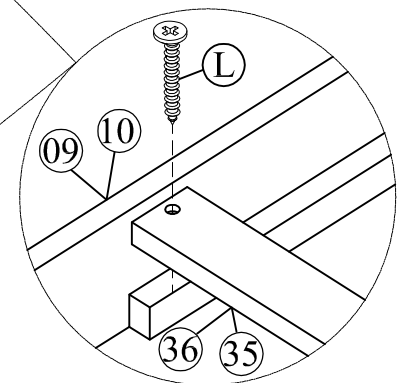


(K)		04
(S)		02

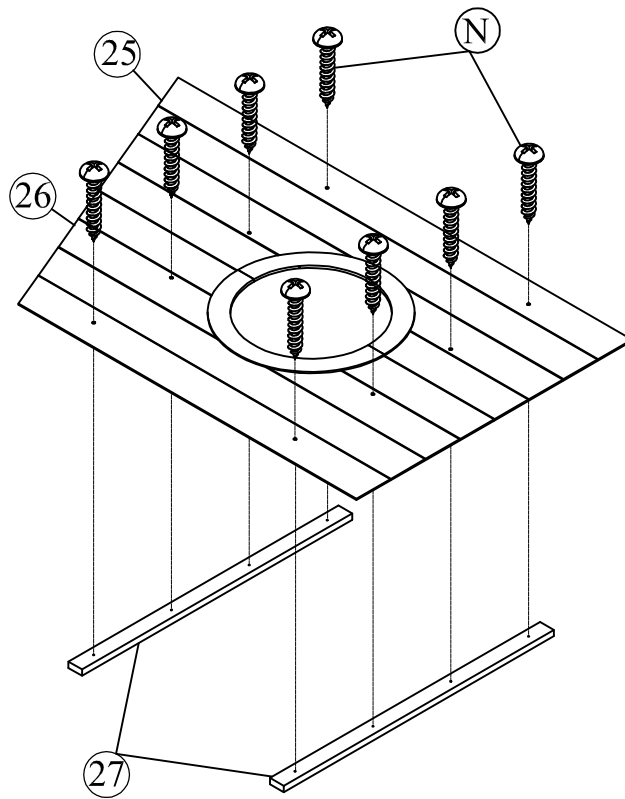
STEP 12:





(F)		04
(L)		20
(R)		01

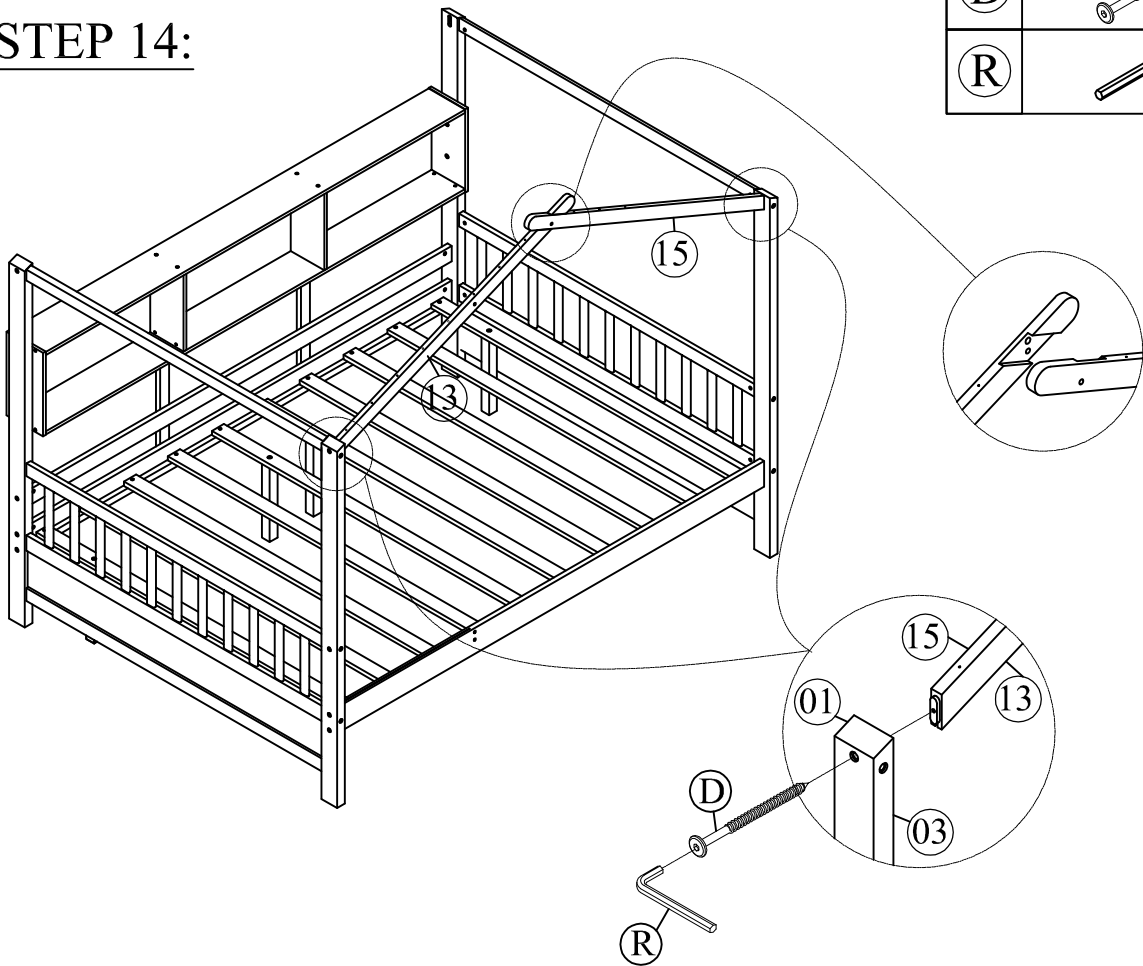


STEP 13:

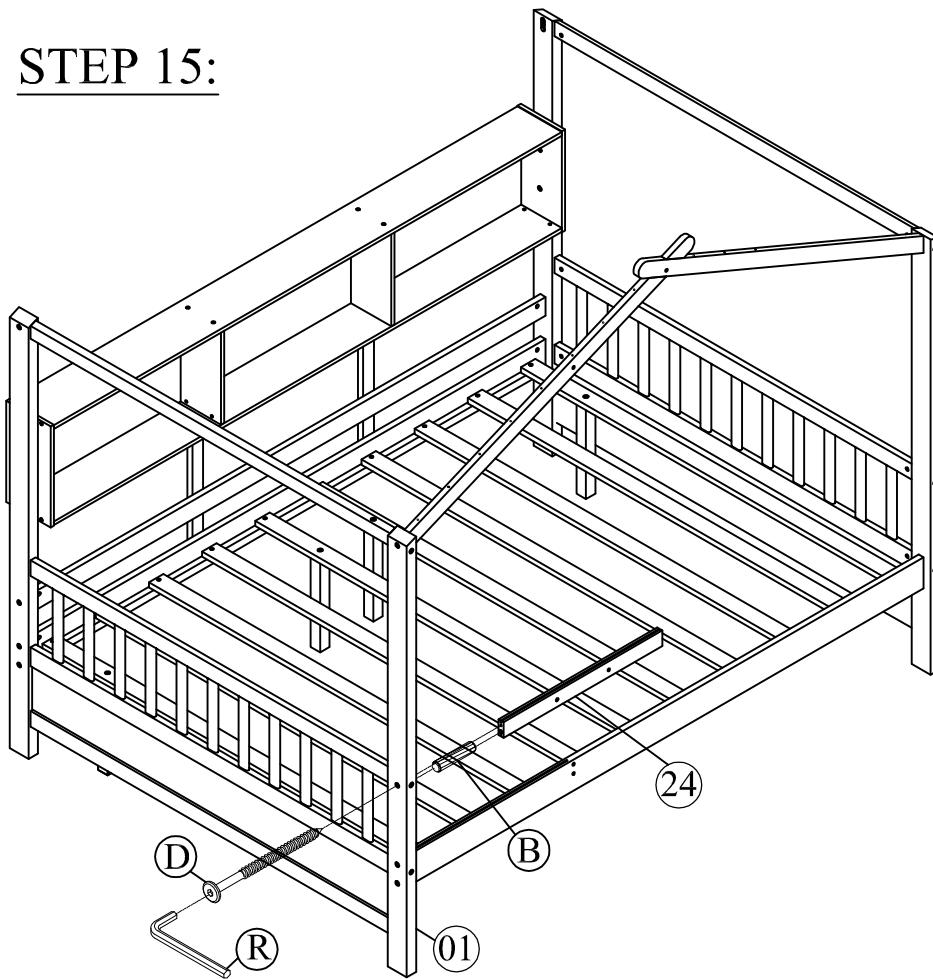



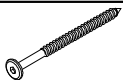

STEP 14:

D		02
R		01

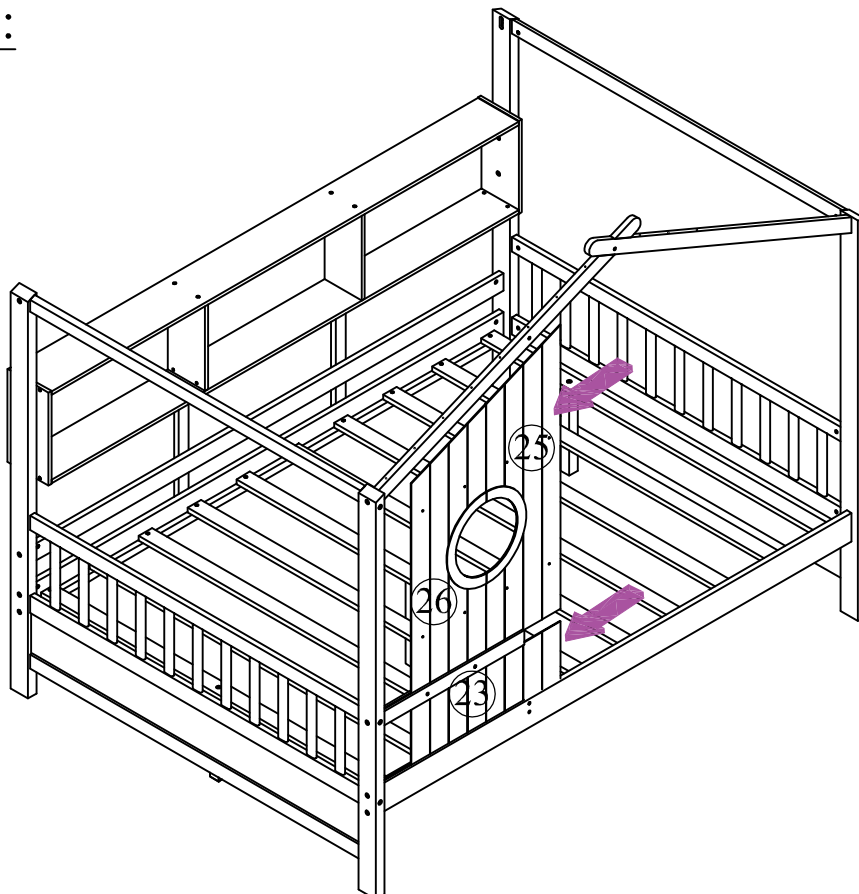


STEP 15:

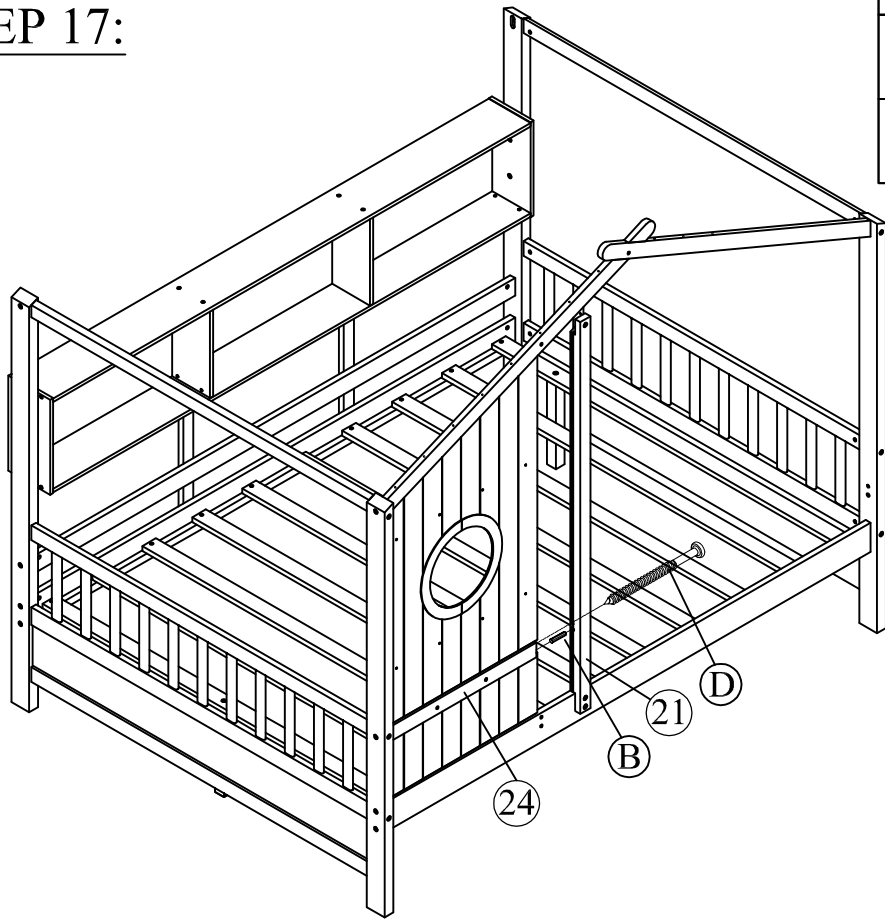


(B)		01
(D)		01
(R)		01

STEP 16:

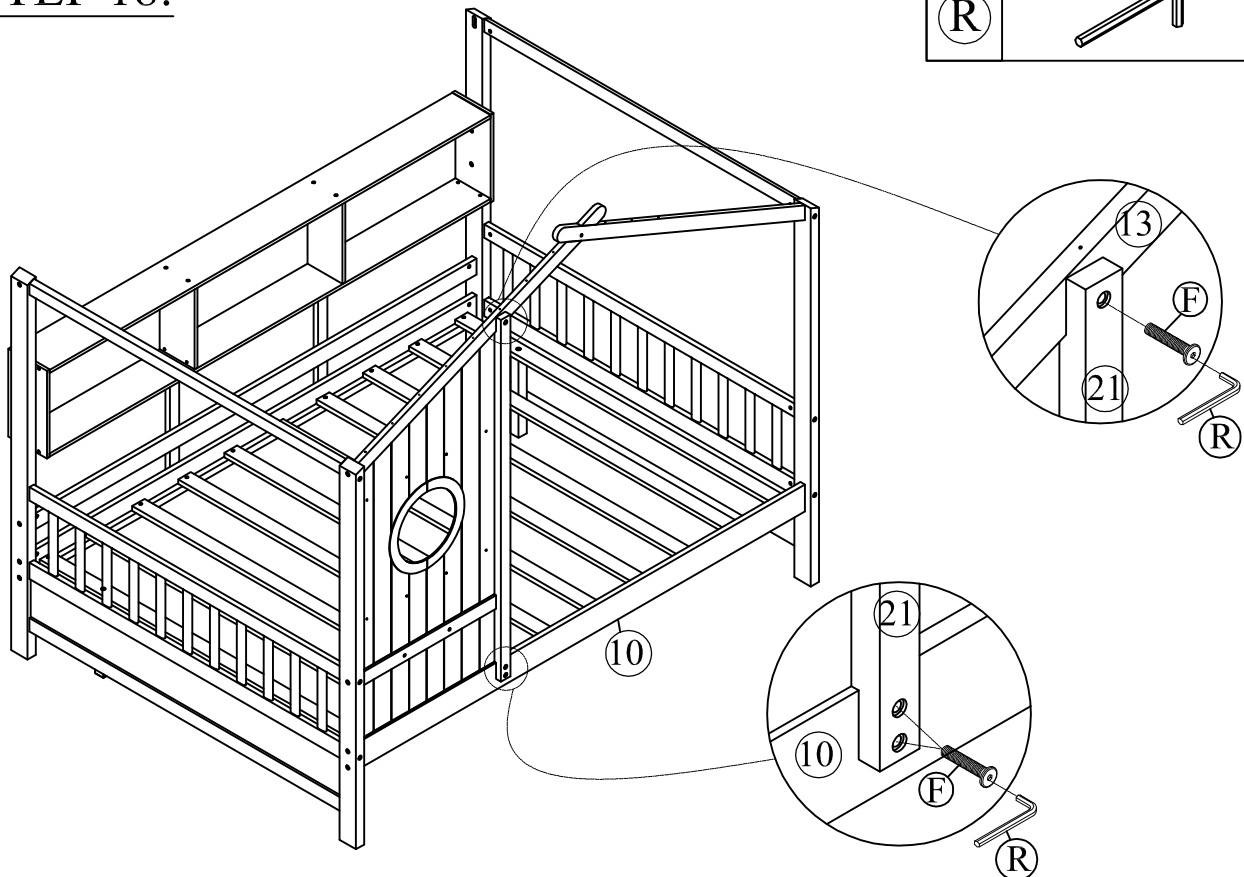


STEP 17:



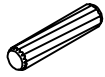
(B)		01
(D)		01
(R)		01

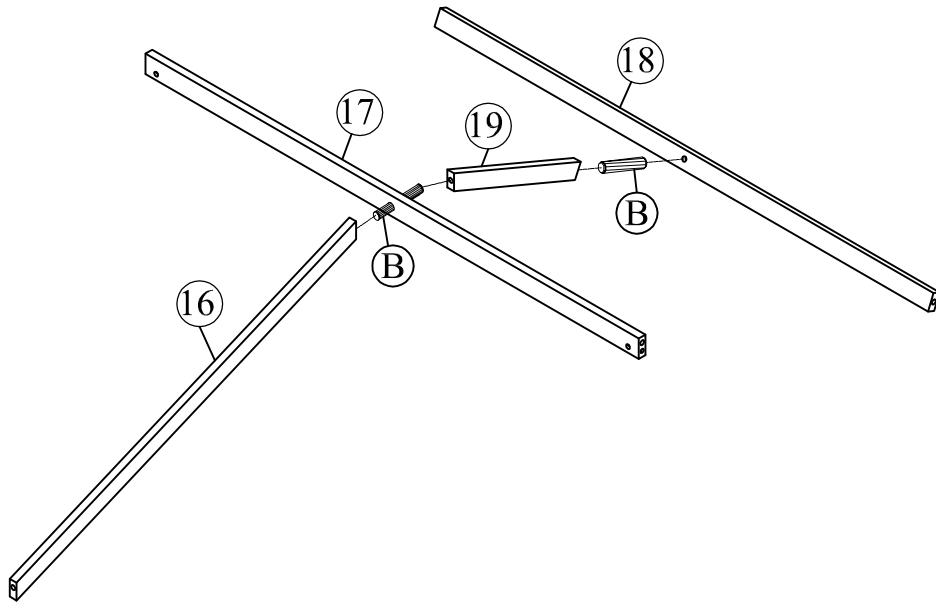
STEP 18:



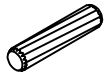



(F)		03
(R)		01

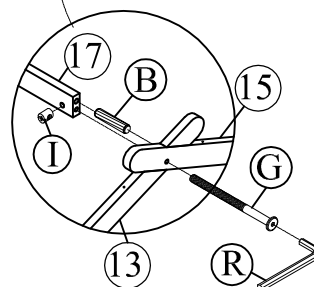
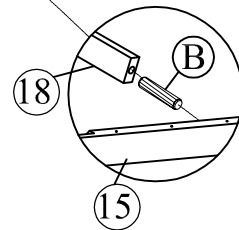
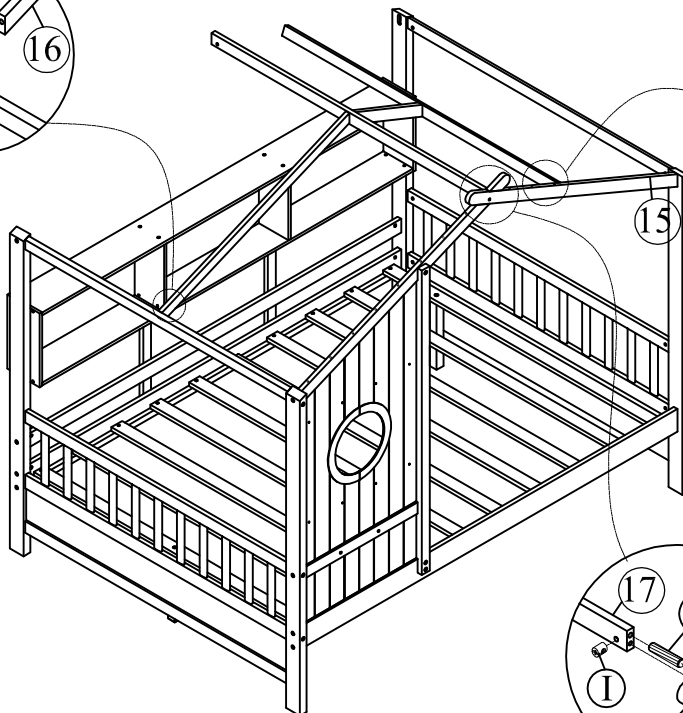
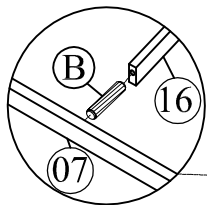
STEP 19:

(B)		02
-----	--	----





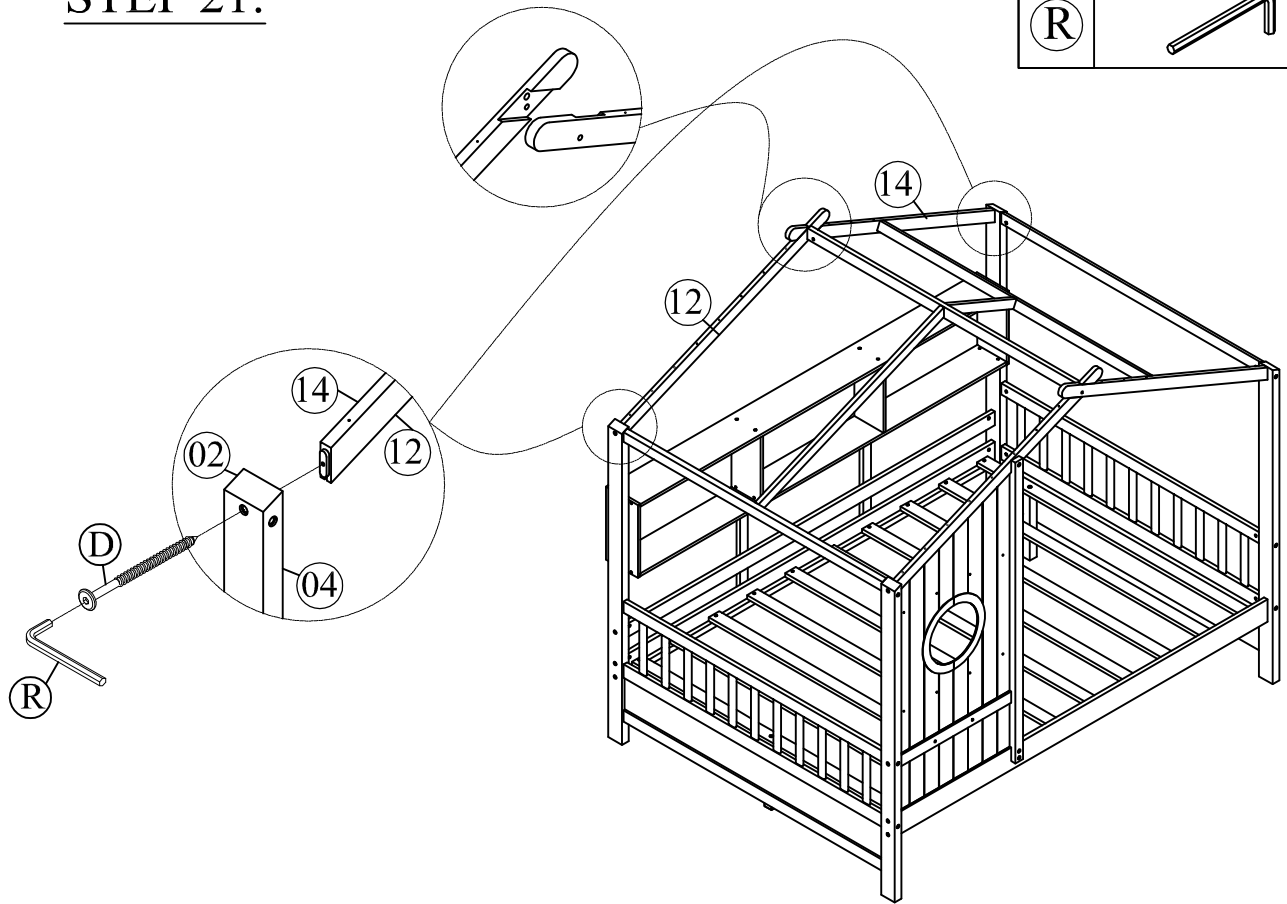
STEP 20:

(B)		03
(G)		01
(I)		01
(R)		01

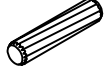







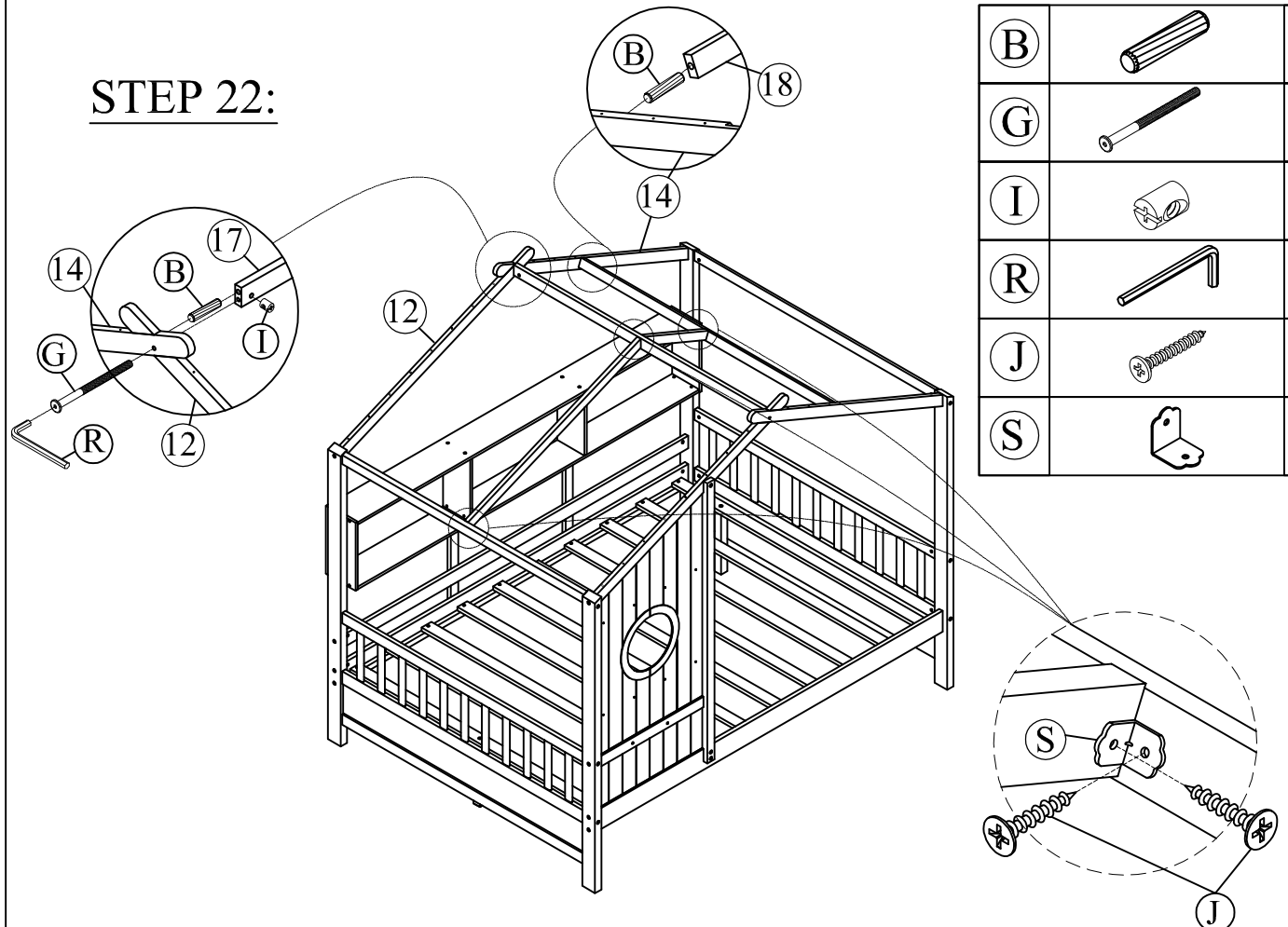
STEP 21:

(D)		02
(R)		01

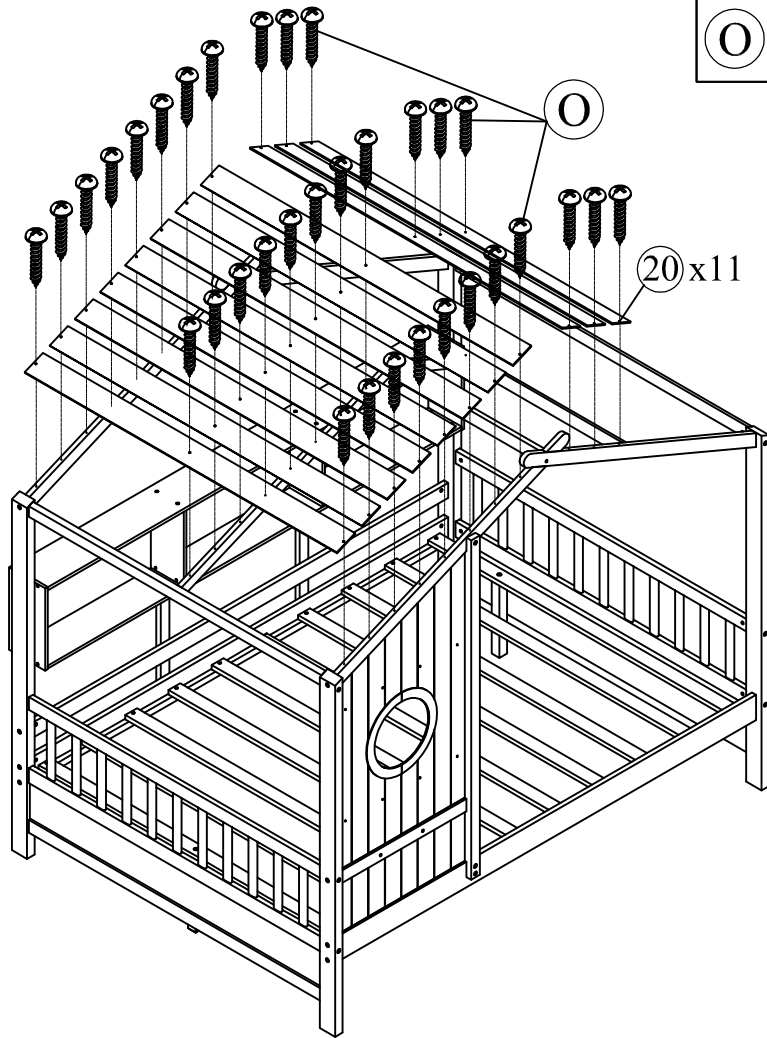


STEP 22:

(B)		02
(G)		01
(I)		01
(R)		01
(J)		08
(S)		04

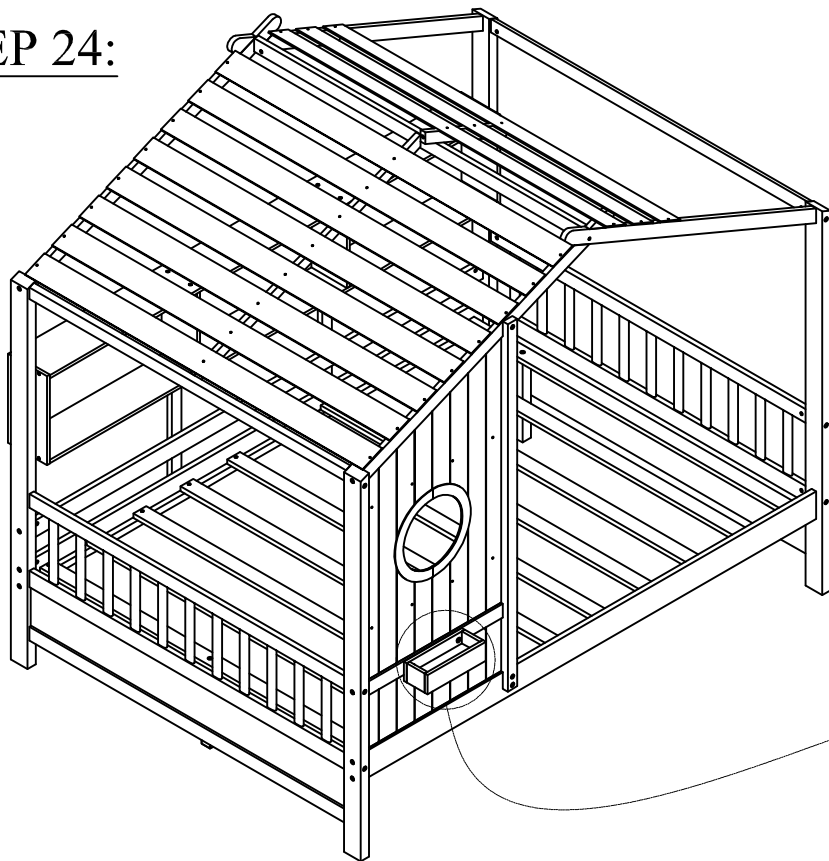


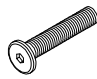

STEP 23:

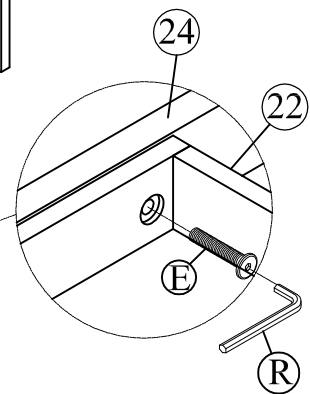


O		33
---	--	----

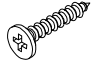

STEP 24:

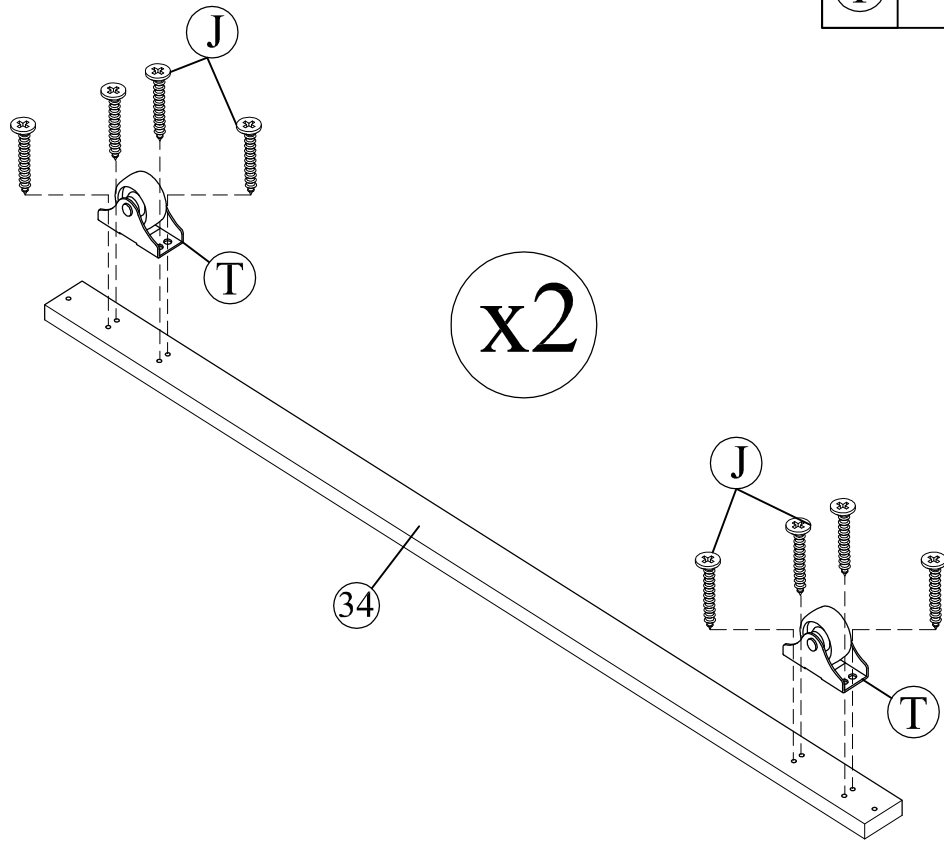


E		02
R		01

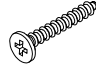


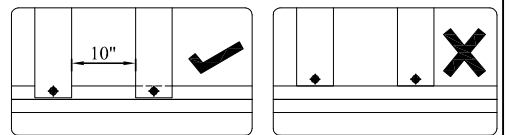
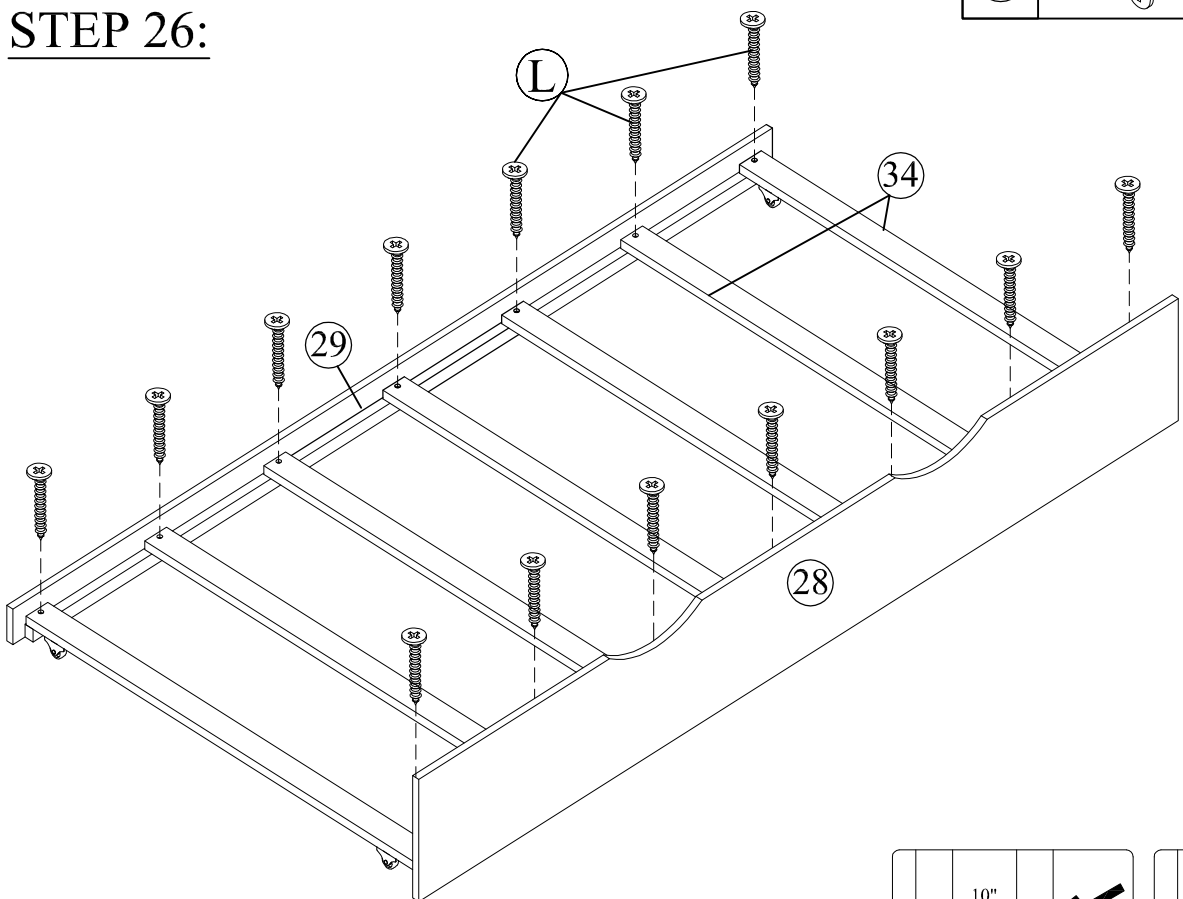
STEP 25:

(J)		16
(T)		04


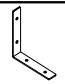
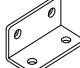


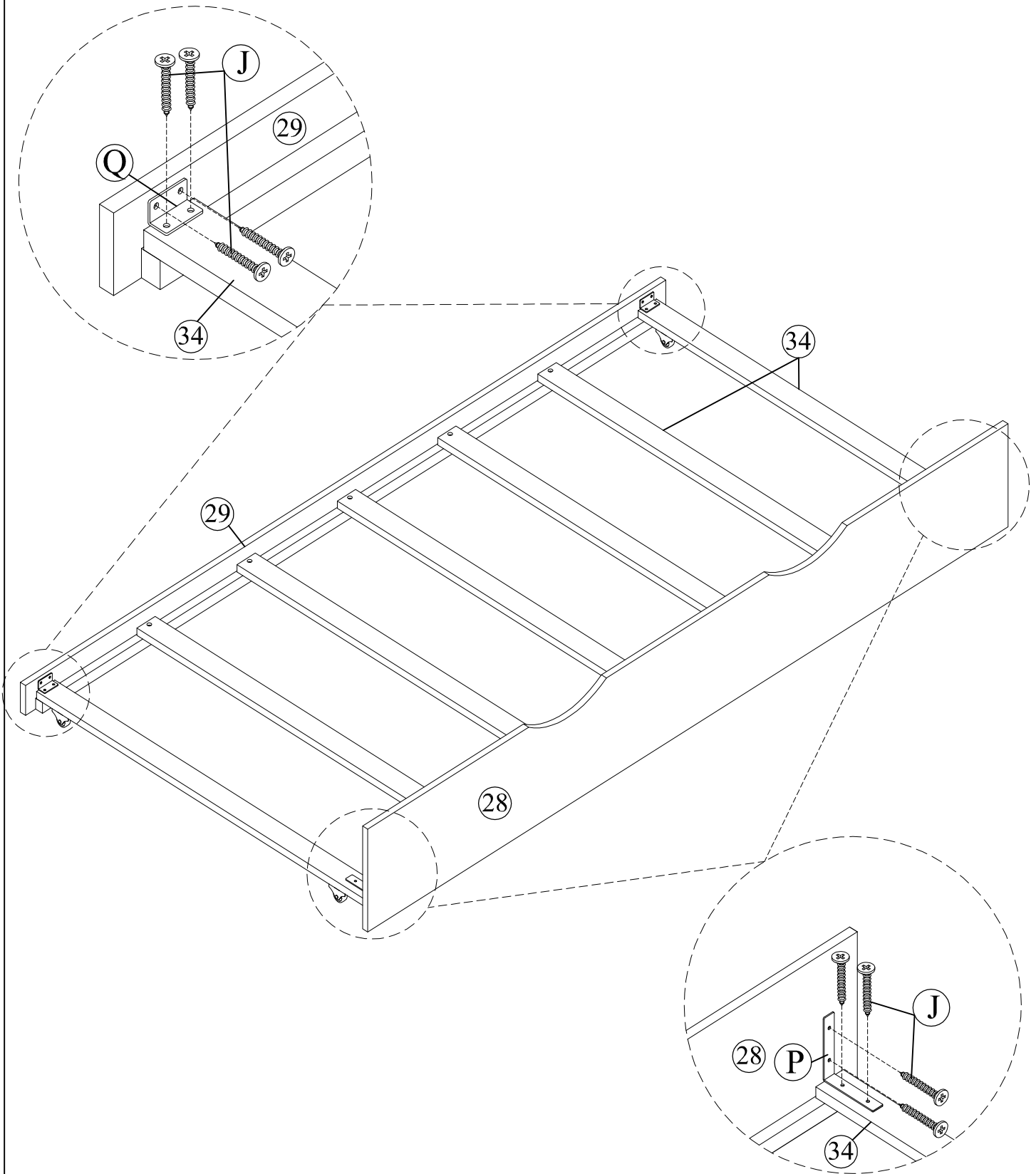
STEP 26:

(L)		14
-----	---	----


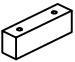


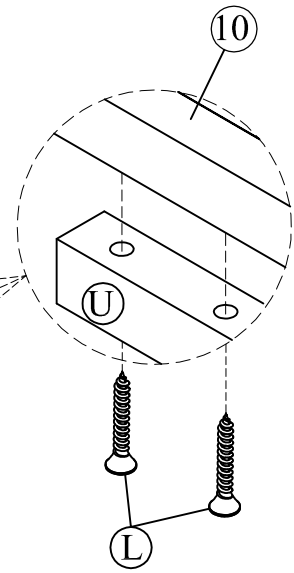
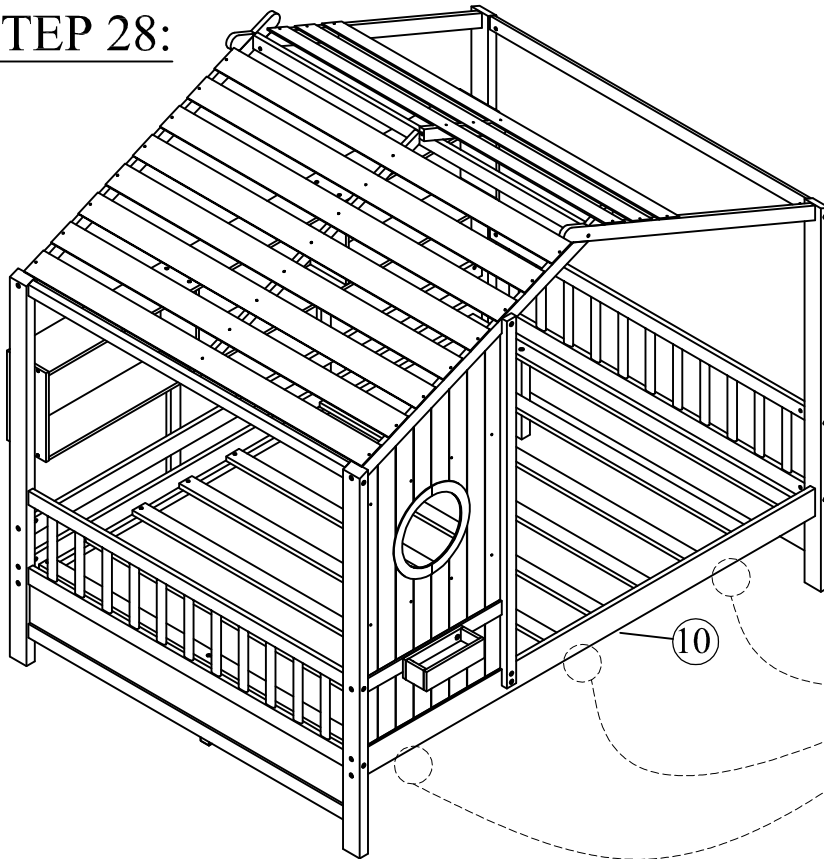
STEP 27:

J		16
P		02
Q		02



STEP 28:

(L)		06
(U)		03



FINAL:

