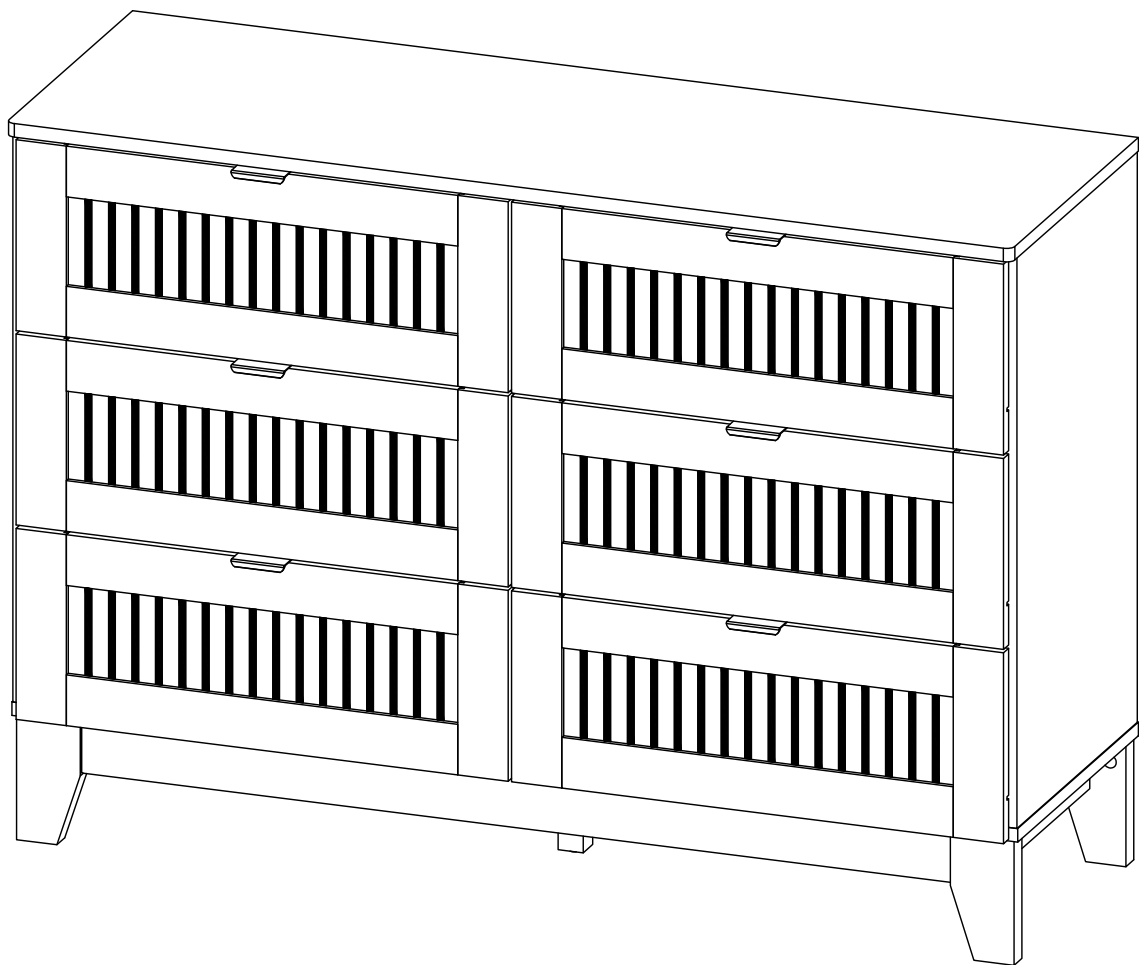


ASSEMBLY INSTRUCTION

MODEL : DS 24 INTERLOCK

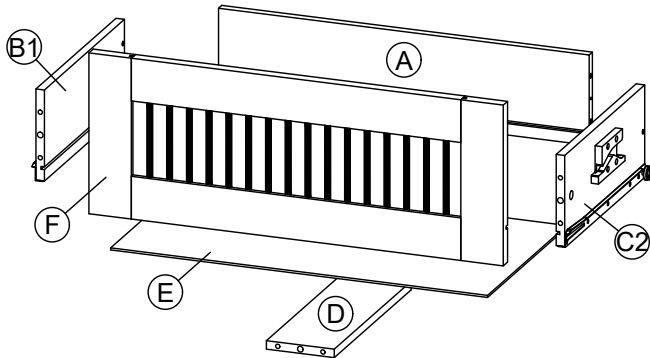
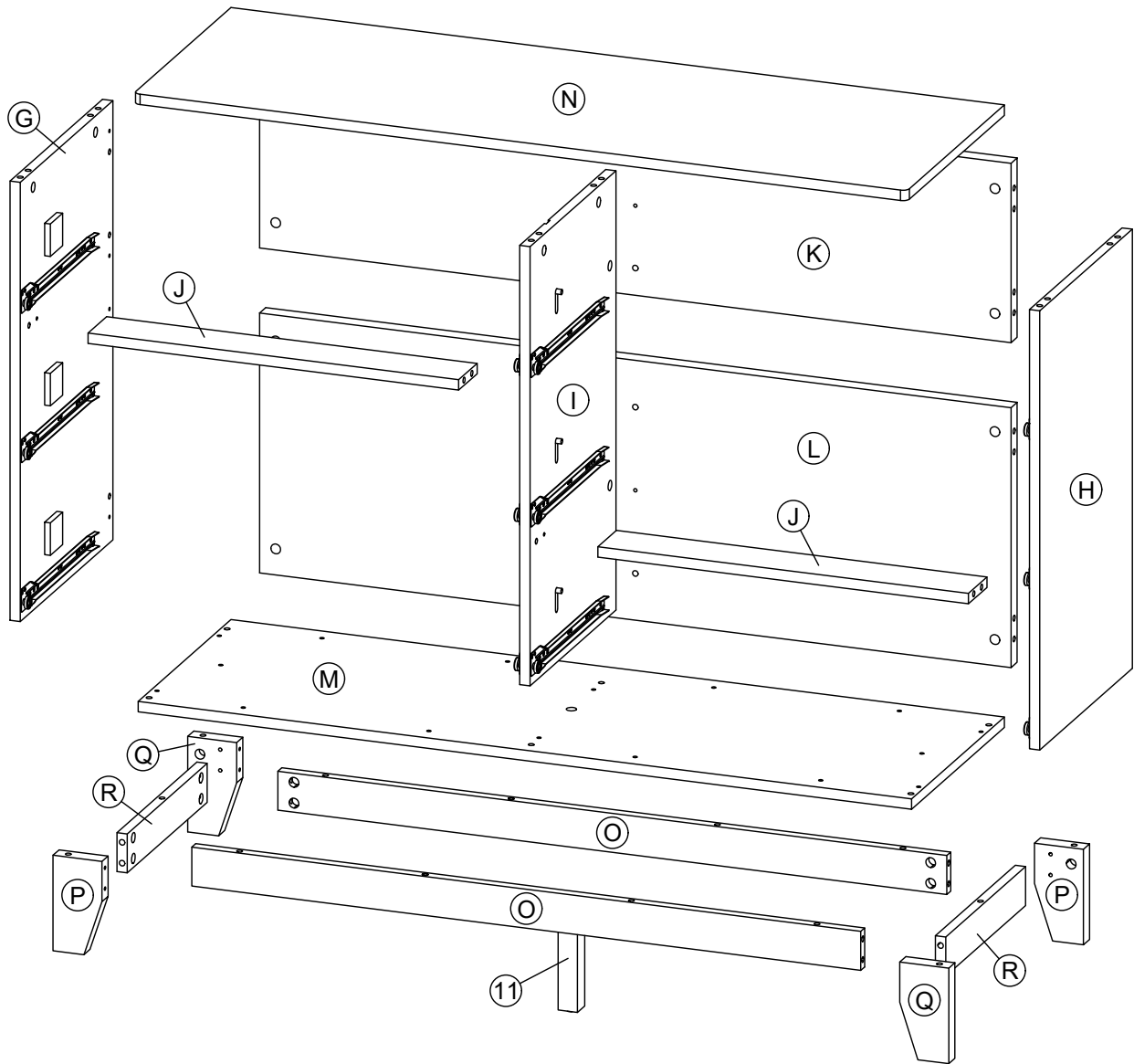
WF 530908



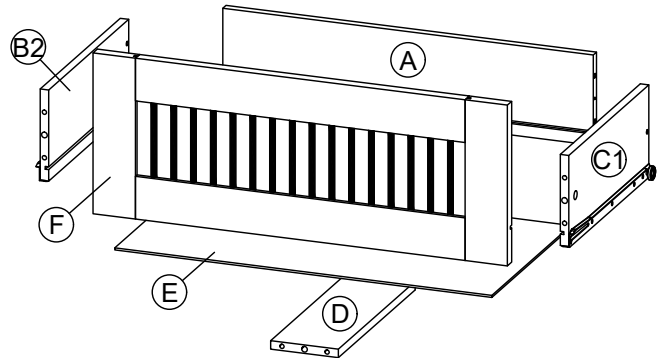
ASSEMBLY INSTRUCTION

MODEL : DS 24 INTERLOCK

WF 530908



x3



x3

ASSEMBLY INSTRUCTION

PART LIST

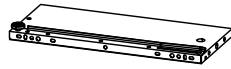
A



DRAWER BACK

x 6

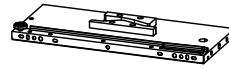
B1



DRAWER SIDE - L

x 3

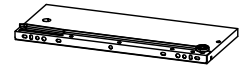
B2



DRAWER SIDE - R

x 3

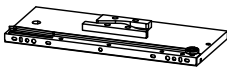
C1



DRAWER SIDE - R

x 3

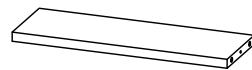
C2



DRAWER SIDE - L

x 3

D



DRAWER SUPPORT

x 6

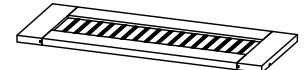
E



DRAWER BOTTOM

x 6

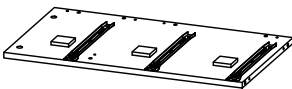
F



DRAWER HEAD

x 6

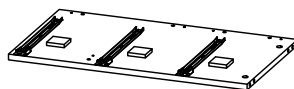
G



SIDE PANEL - L

x 1

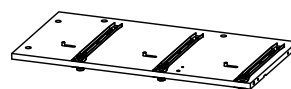
H



SIDE PANEL - R

x 1

I



CENTER PANEL

x 1

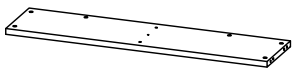
J



MIDDLE PANEL

x 2

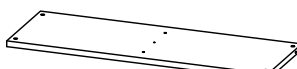
K



BACK PANEL - UP

x 1

L



BACK PANEL - DOWN

x 1

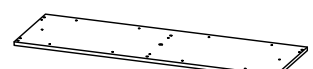
N



TOP PANEL

x 1

M



BOTTOM PANEL

x 1

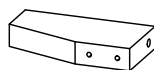
O



BOTTOM LEG SUPPORT -
FRONT & BACK

x 2

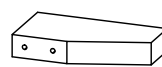
P



SIDE LEG - L

x 2

Q



SIDE LEG - R

x 2

R



BOTTOM LEG SUPPORT -
L & R

x 2

ASSEMBLY INSTRUCTION

HARDWARE LIST

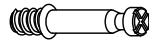
①



MINI FIX CAM NUT

x 60

②



MINI FIX CAM BOLT

x 60

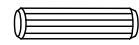
③



M8 x 25mm WOOD
DOWEL

x 28

④



M6 x 30mm WOOD
DOWEL

x 72

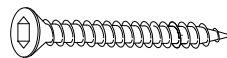
⑤



ALLEN KEY M4

x 1

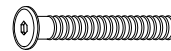
⑥



M6 x 50mm CSK CAP
WOOD SCREW

x 16

⑦



M8 x 30mm JCBC
SCREW

x 1

⑧



M4 x 38mm C.B SCREW

x 18

⑨



M3.5 x 12mm C.B
SCREW

x 12

⑩



L HANDLE - 32mm

x 6

⑪

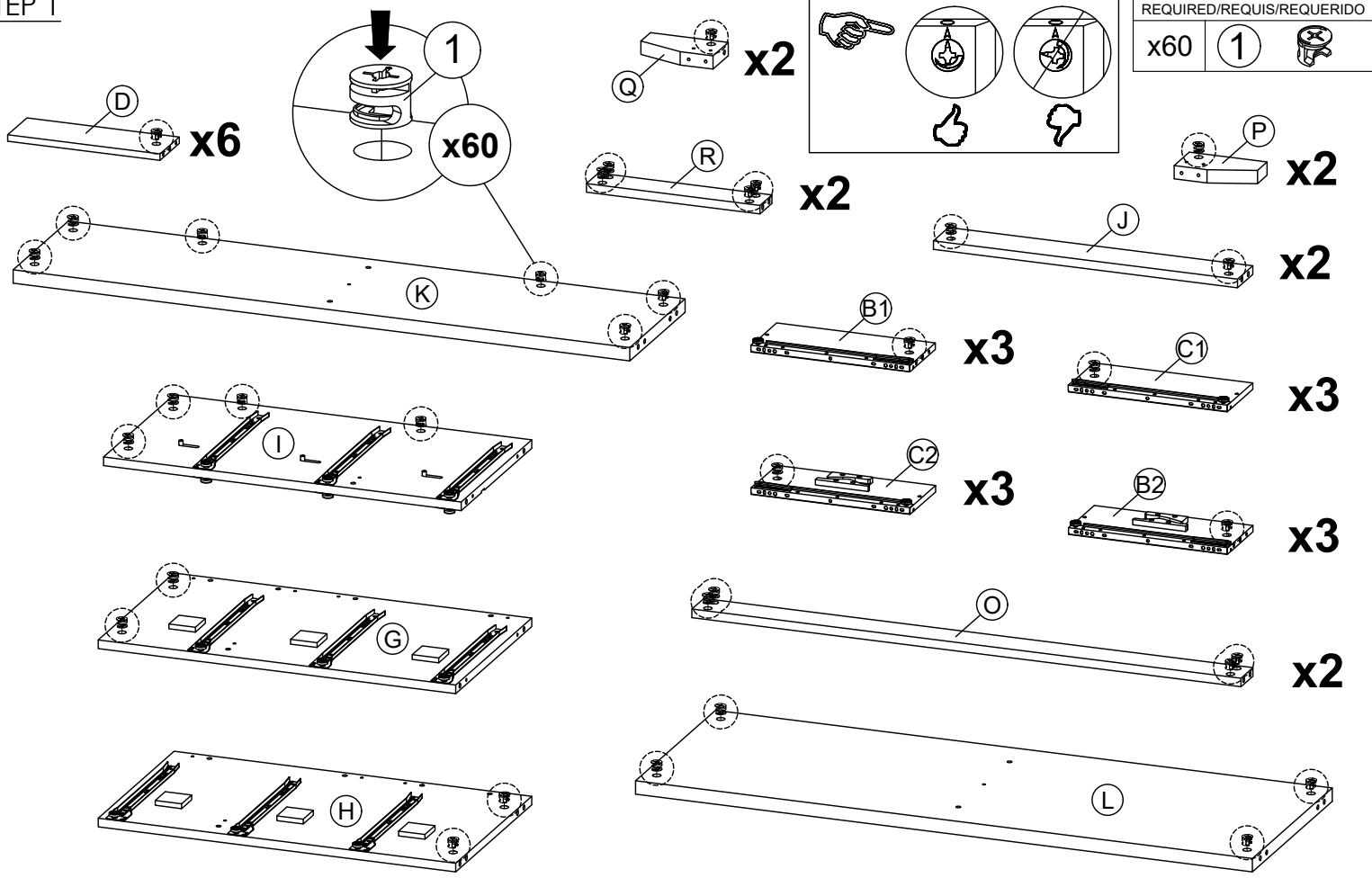


CENTER LEG

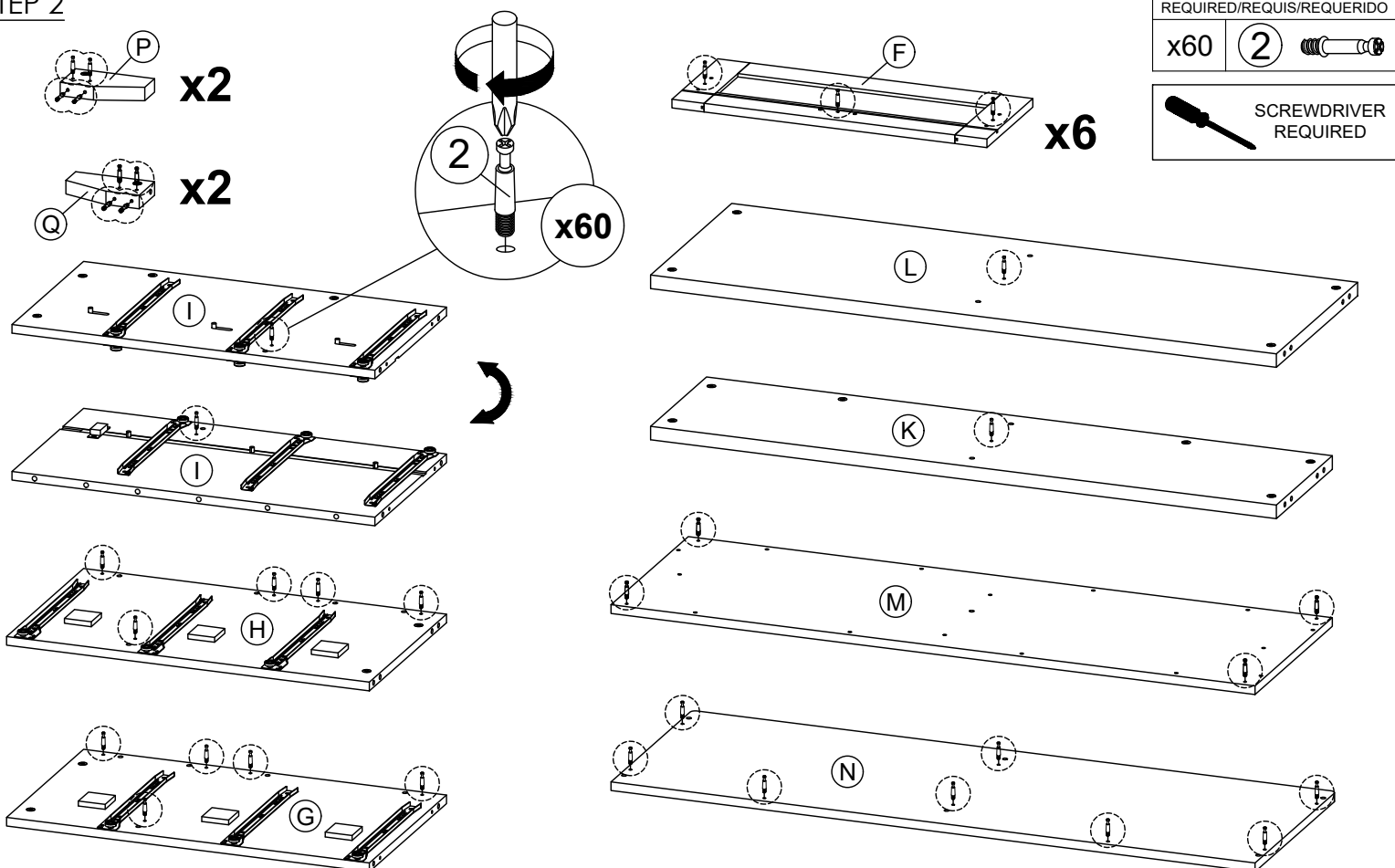
x 1

ASSEMBLY INSTRUCTION

STEP 1







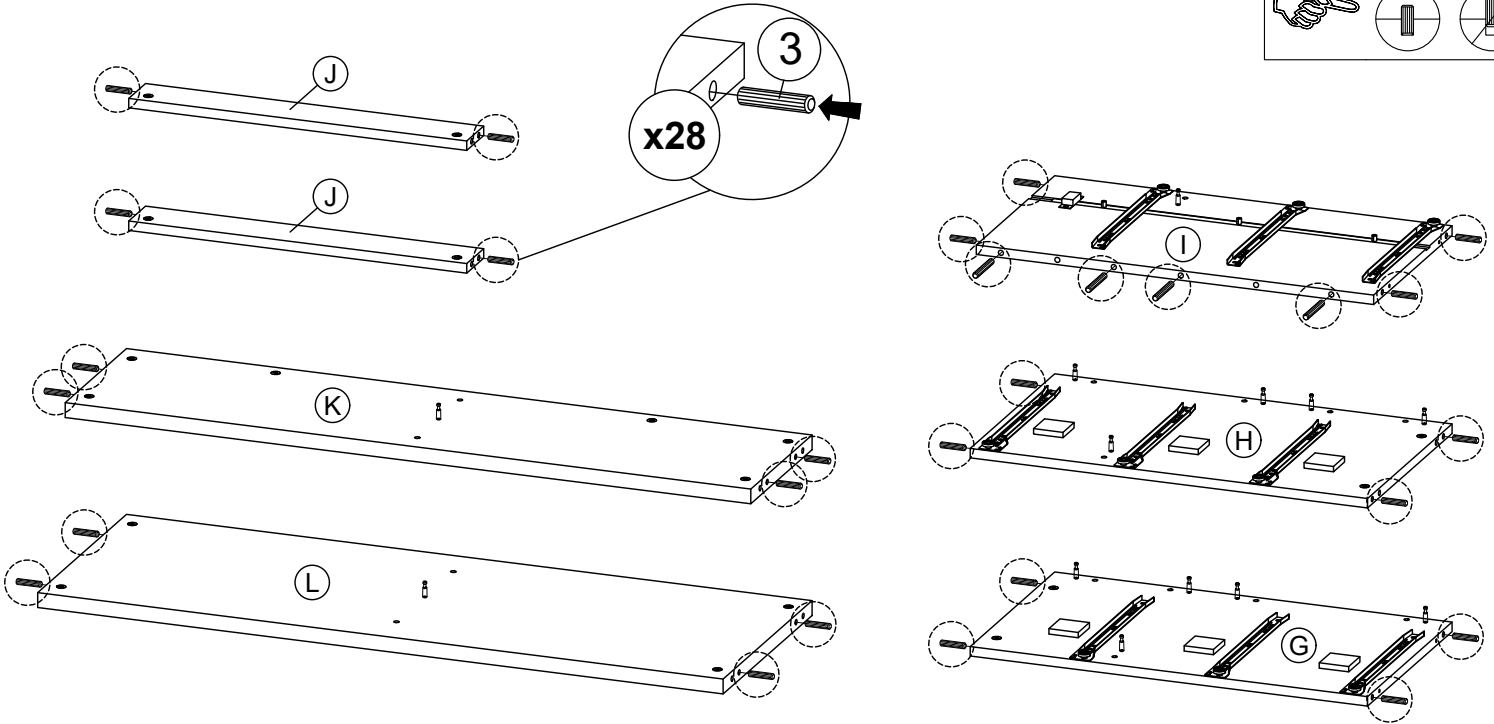
STEP 2



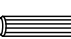



ASSEMBLY INSTRUCTION

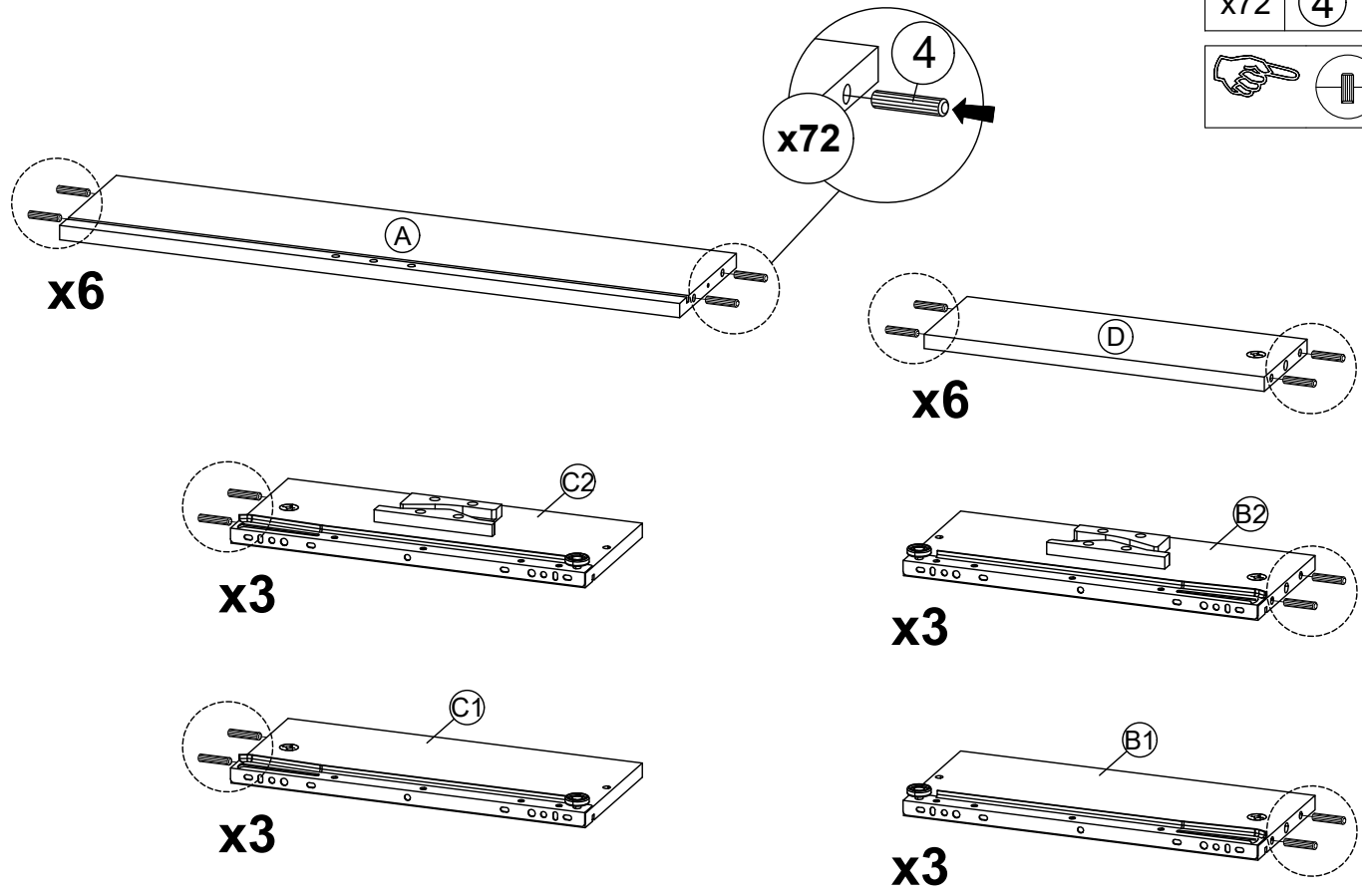
STEP 3

REQUIRED/REQUIS/REQUERIDO		
x28	3	
		





STEP 4

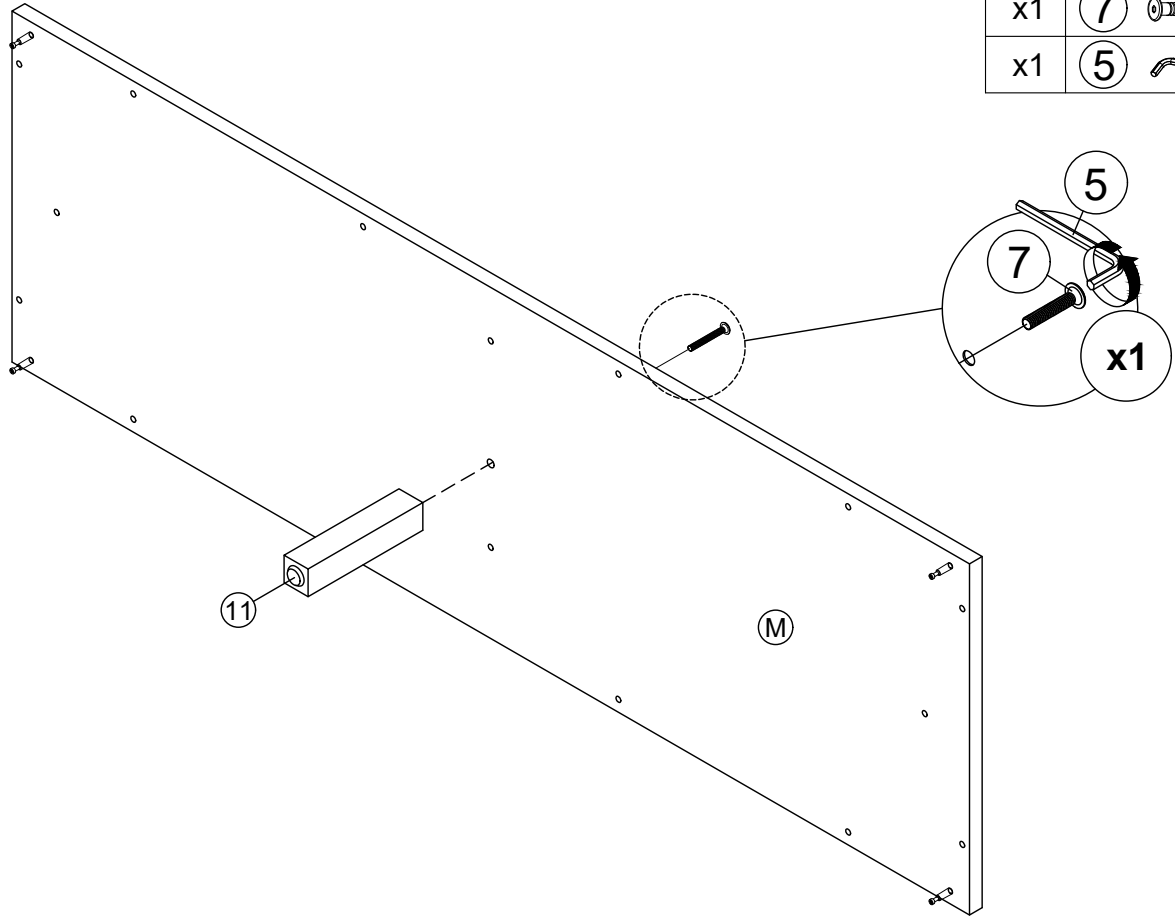
REQUIRED/REQUIS/REQUERIDO		
x72	4	
		




ASSEMBLY INSTRUCTION

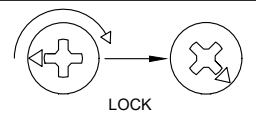
STEP 5

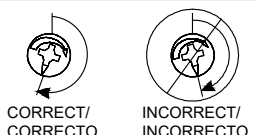
REQUIRED/REQUIS/REQUERIDO		
x1	7	
x1	5	

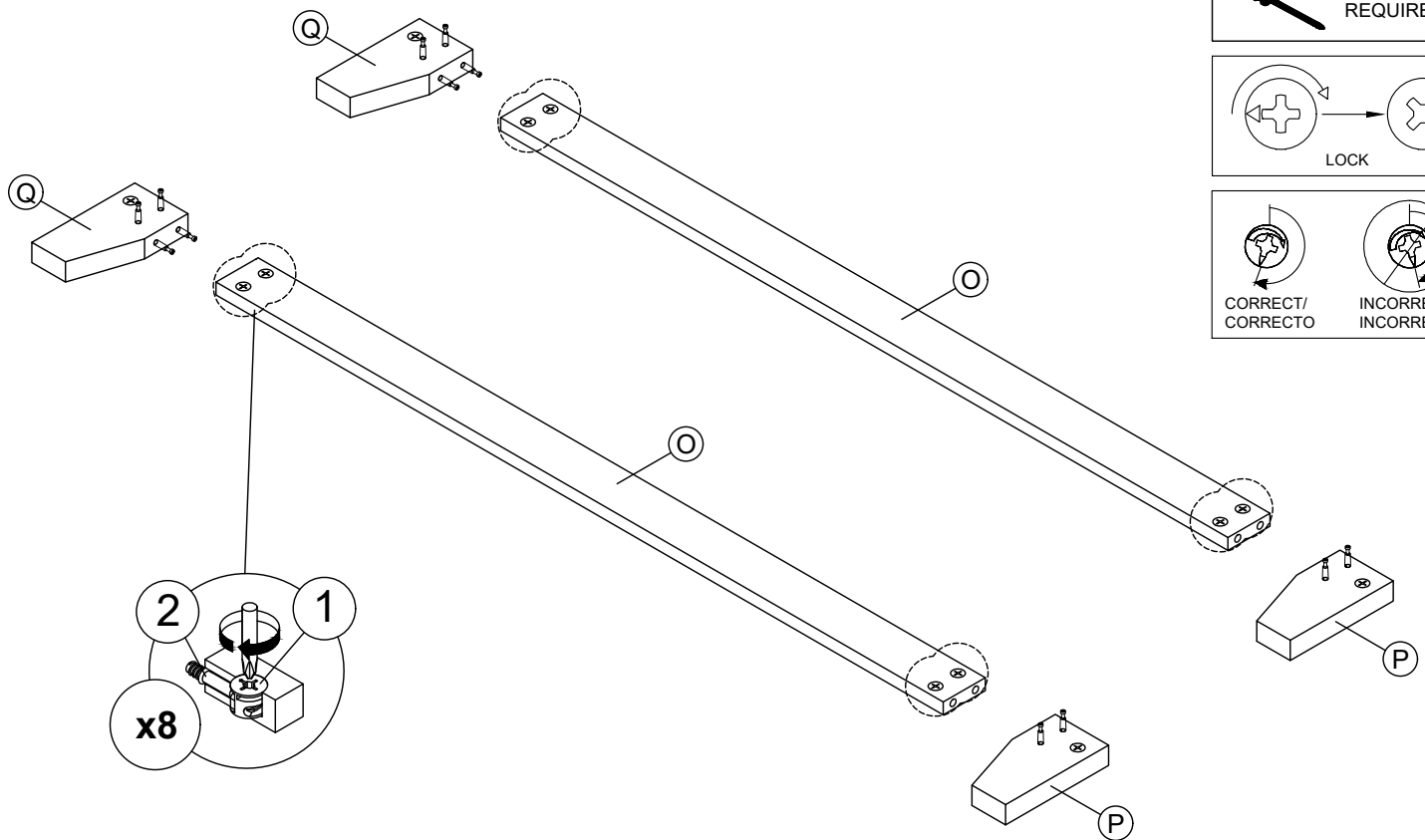


STEP 6

 **SCREWDRIVER REQUIRED**

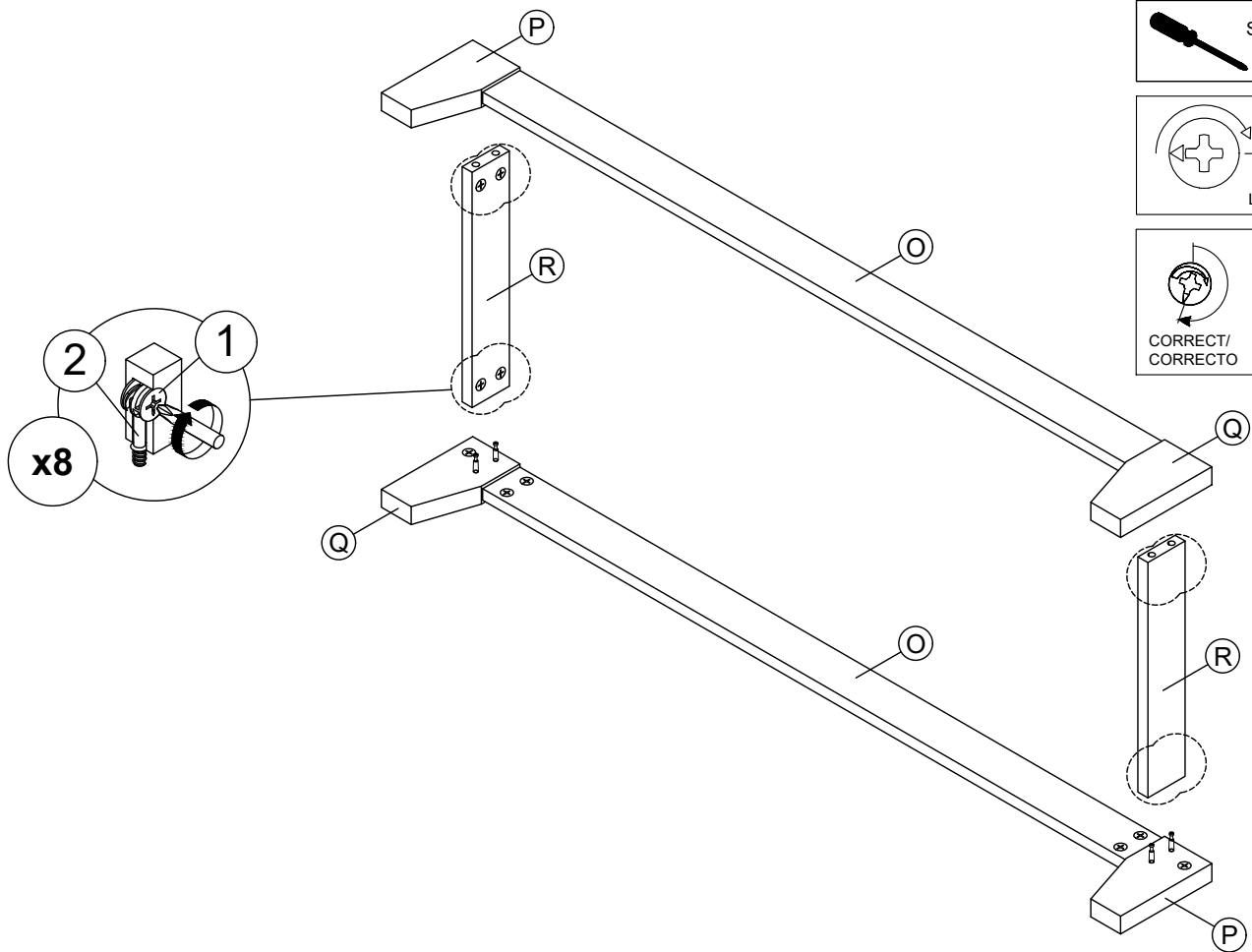
 **LOCK**

 **CORRECT/CORRECTO** **INCORRECT/INCORRECTO**

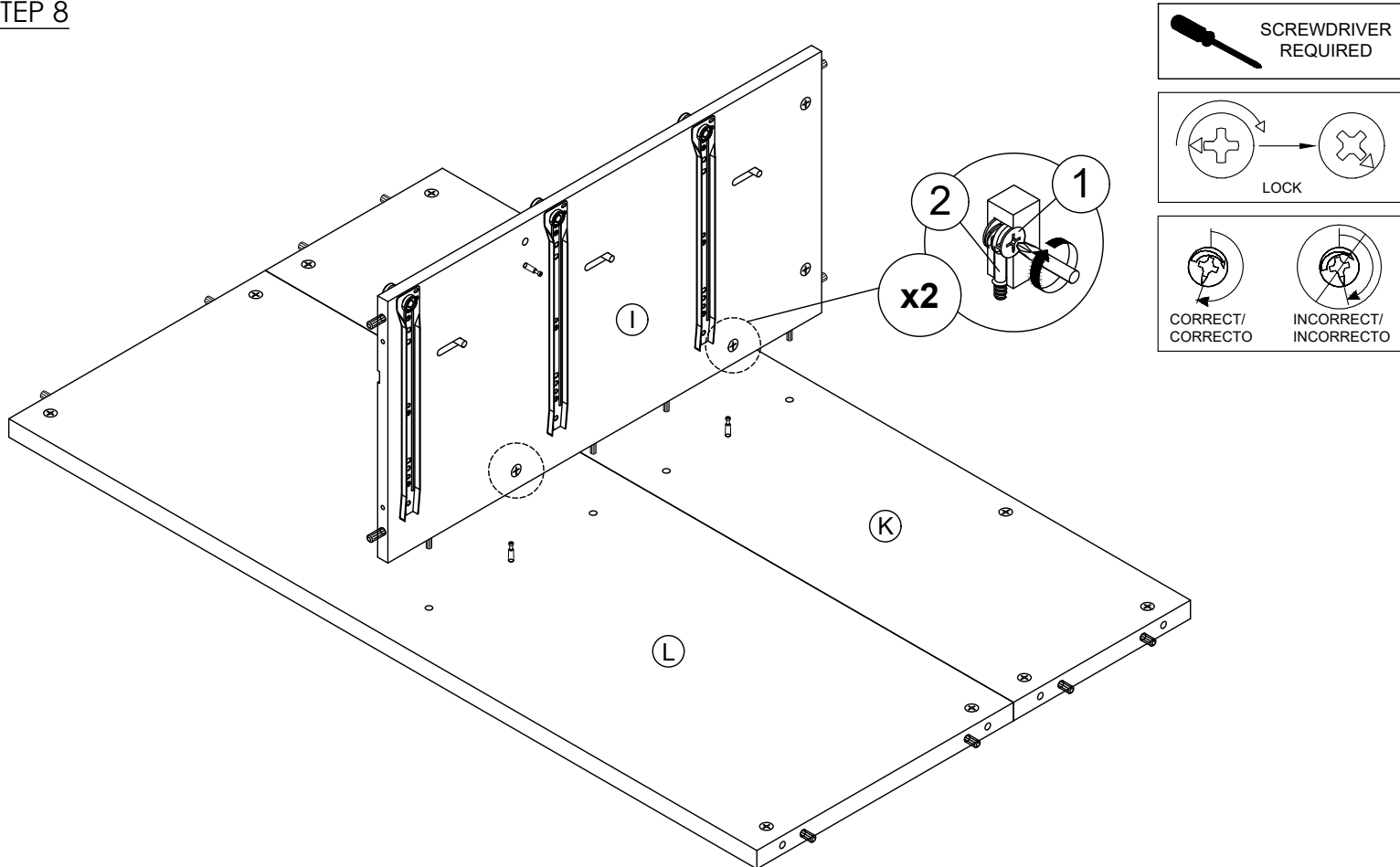


ASSEMBLY INSTRUCTION

STEP 7

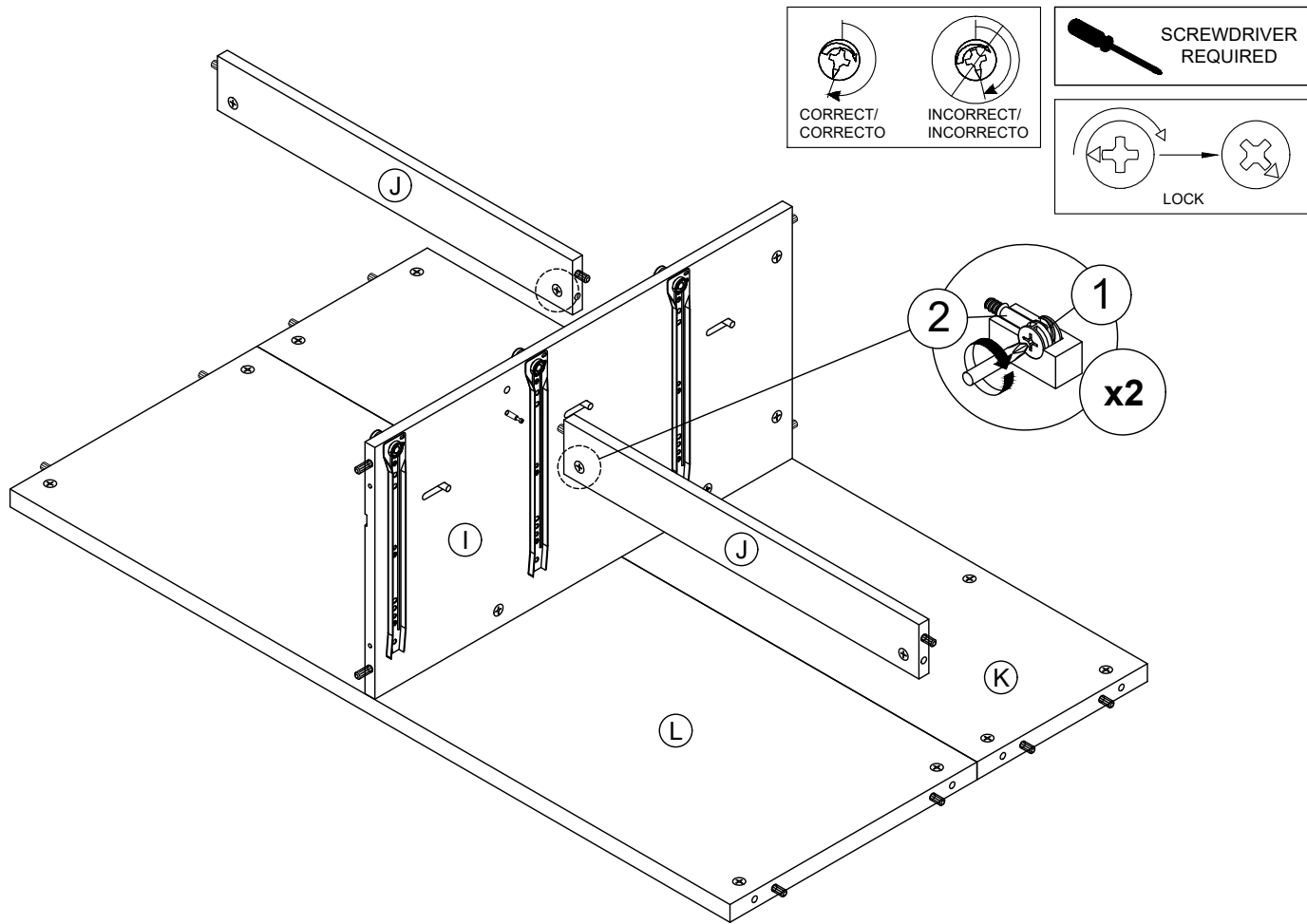


STEP 8

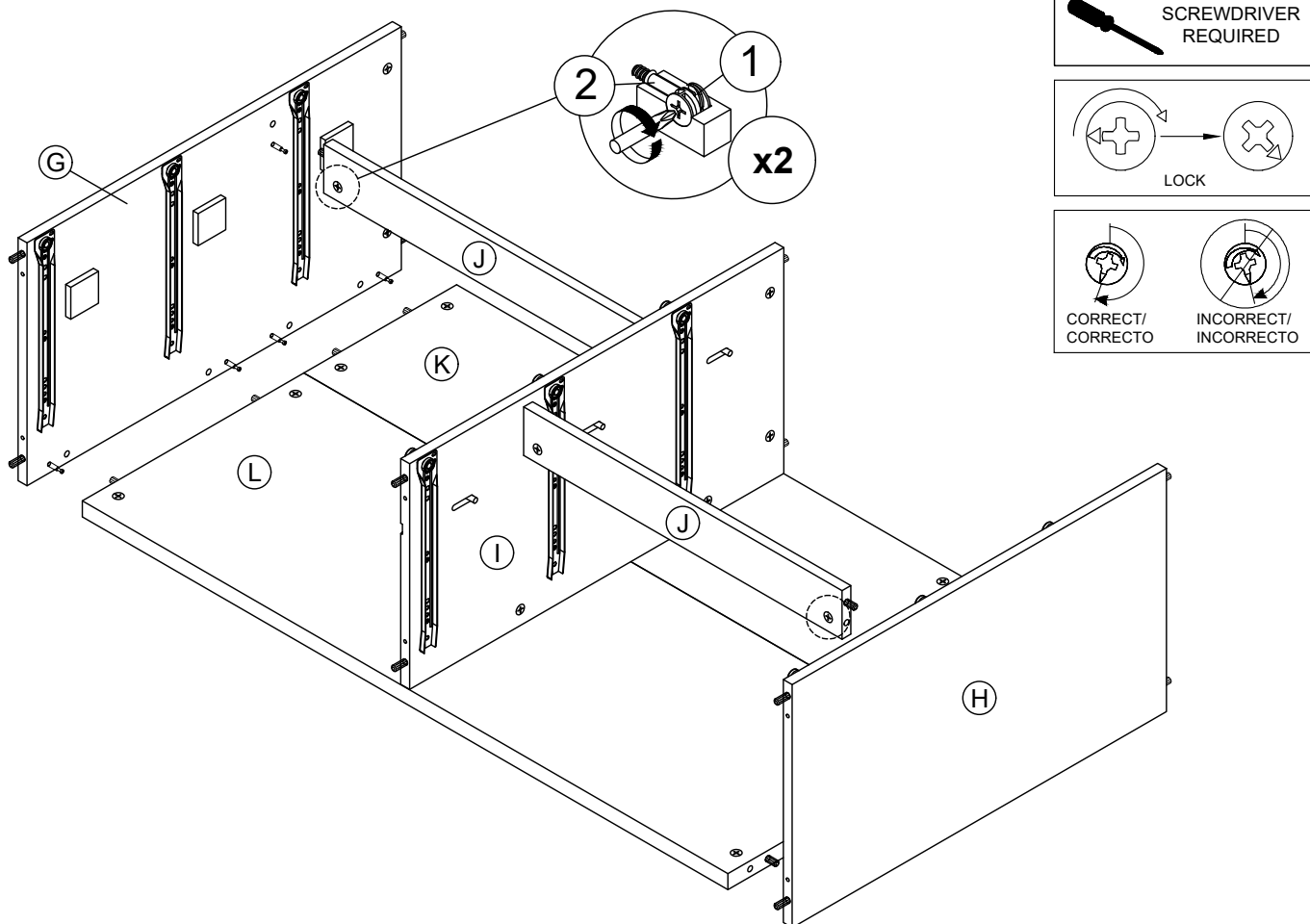


ASSEMBLY INSTRUCTION

STEP 9

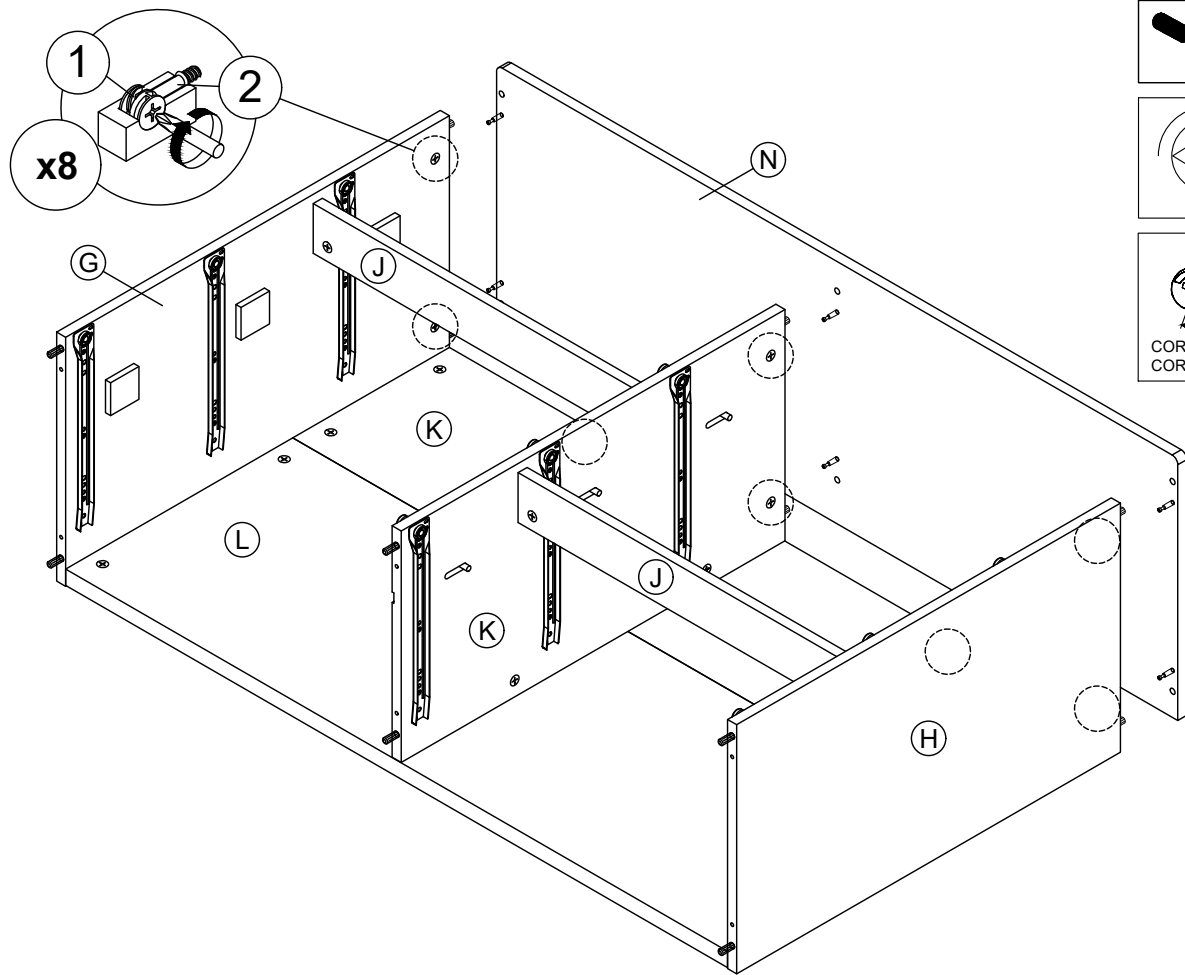


STEP 10



ASSEMBLY INSTRUCTION

STEP 11



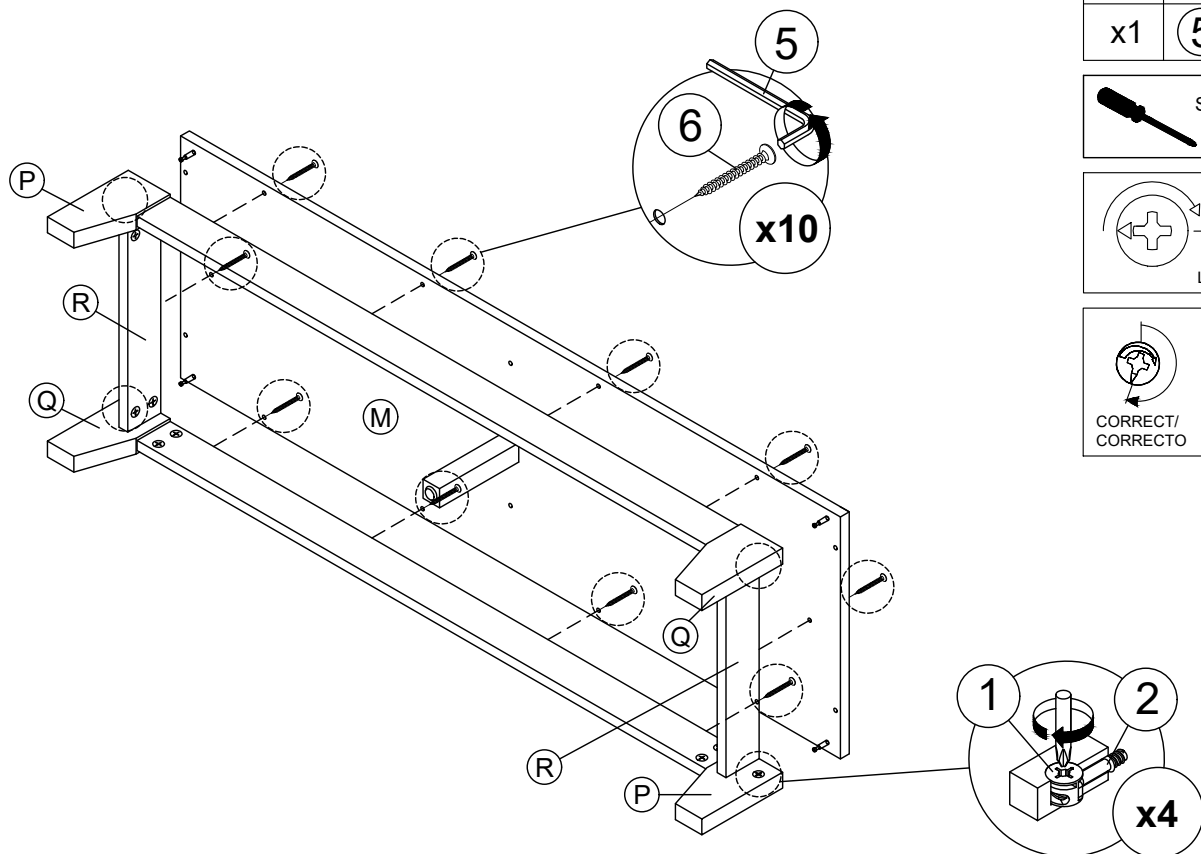
SCREWDRIVER
REQUIRED



LOCK

CORRECT/
CORRECTO

INCORRECT/
INCORRECTO

STEP 12



REQUIRED/REQUIS/REQUERIDO	
x10	(6) 
x1	(5) 

SCREWDRIVER
REQUIRED

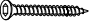

LOCK

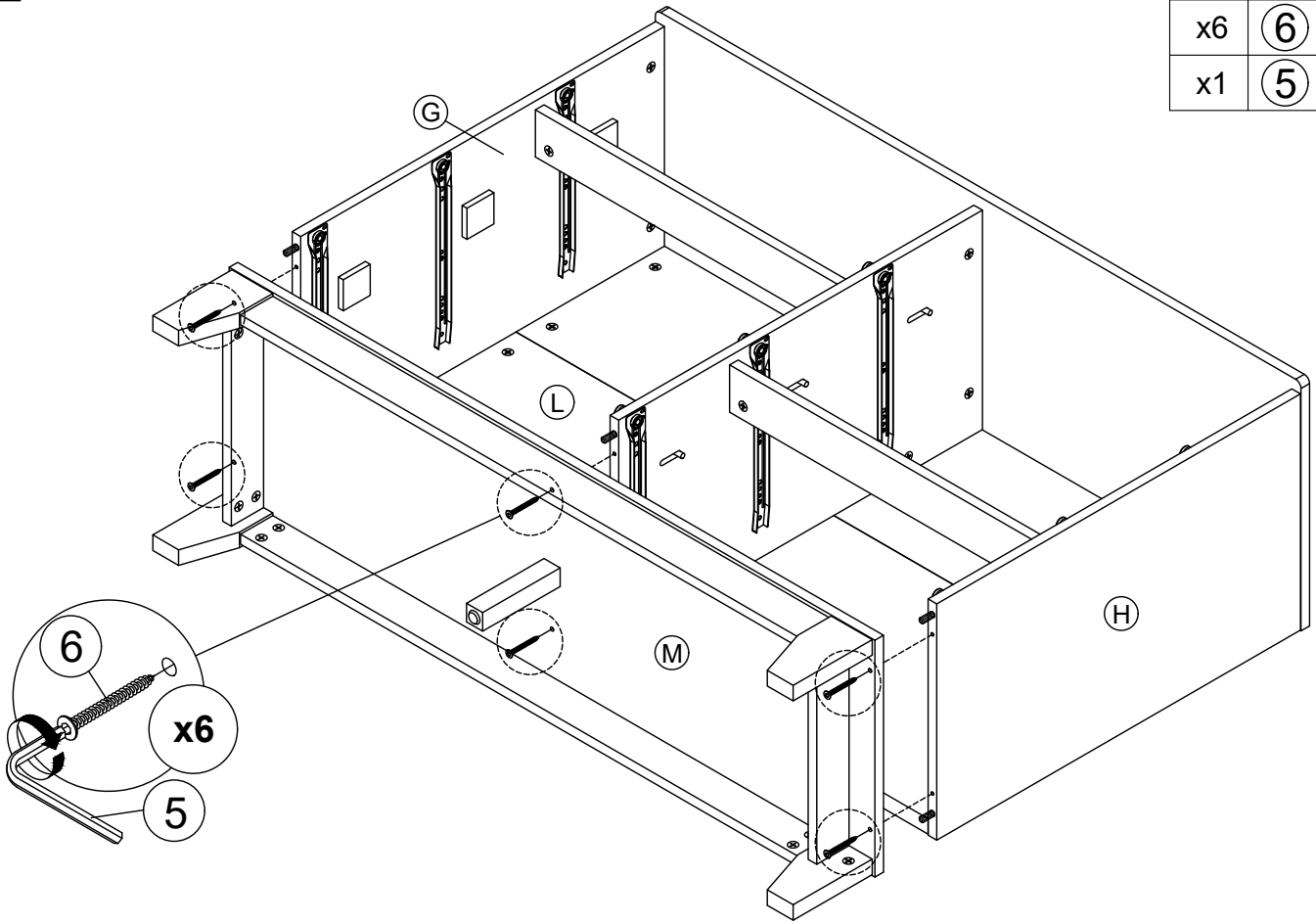
CORRECT/
CORRECTO

INCORRECT/
INCORRECTO

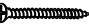

ASSEMBLY INSTRUCTION

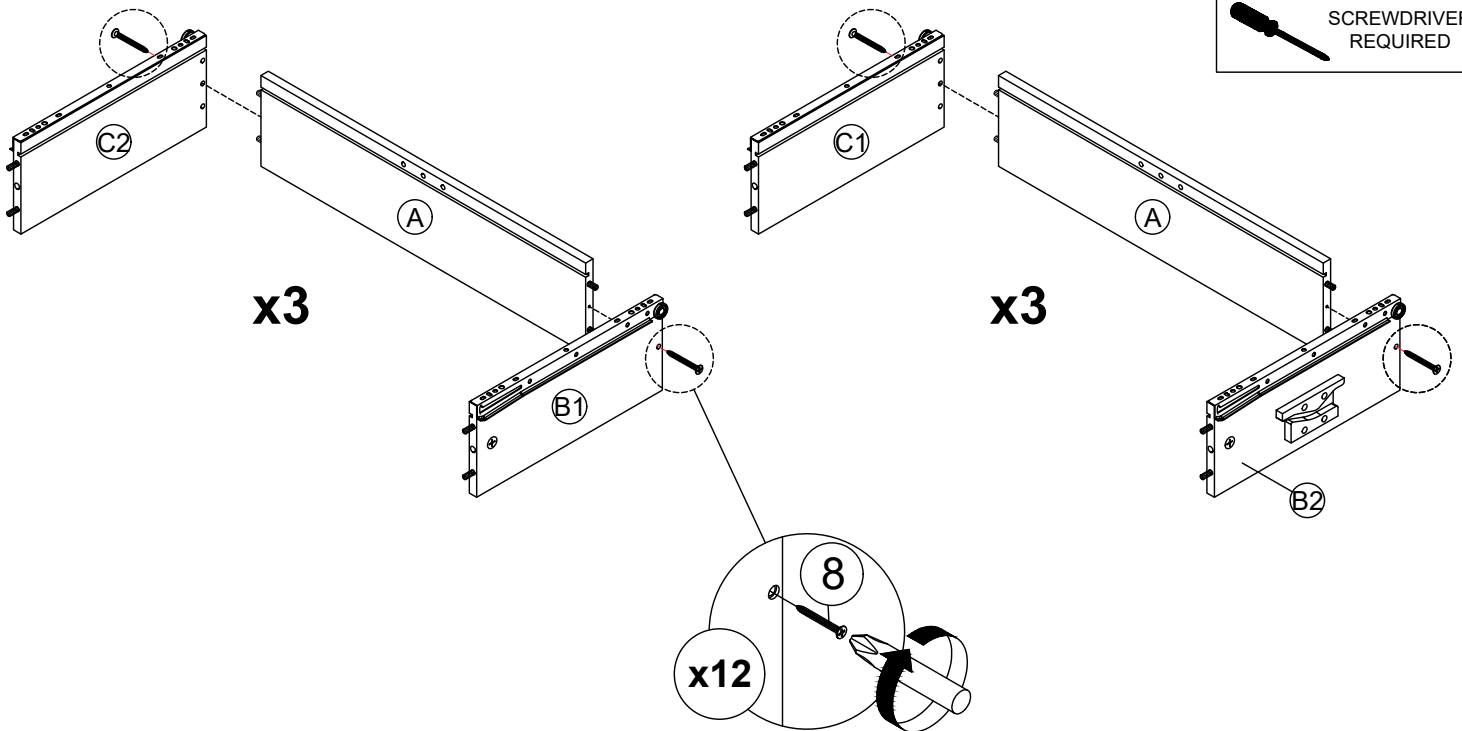
STEP 13

REQUIRED/REQUIS/REQUERIDO		
x6	6	
x1	5	



STEP 14

REQUIRED/REQUIS/REQUERIDO		
x12	8	
 SCREWDRIVER REQUIRED		



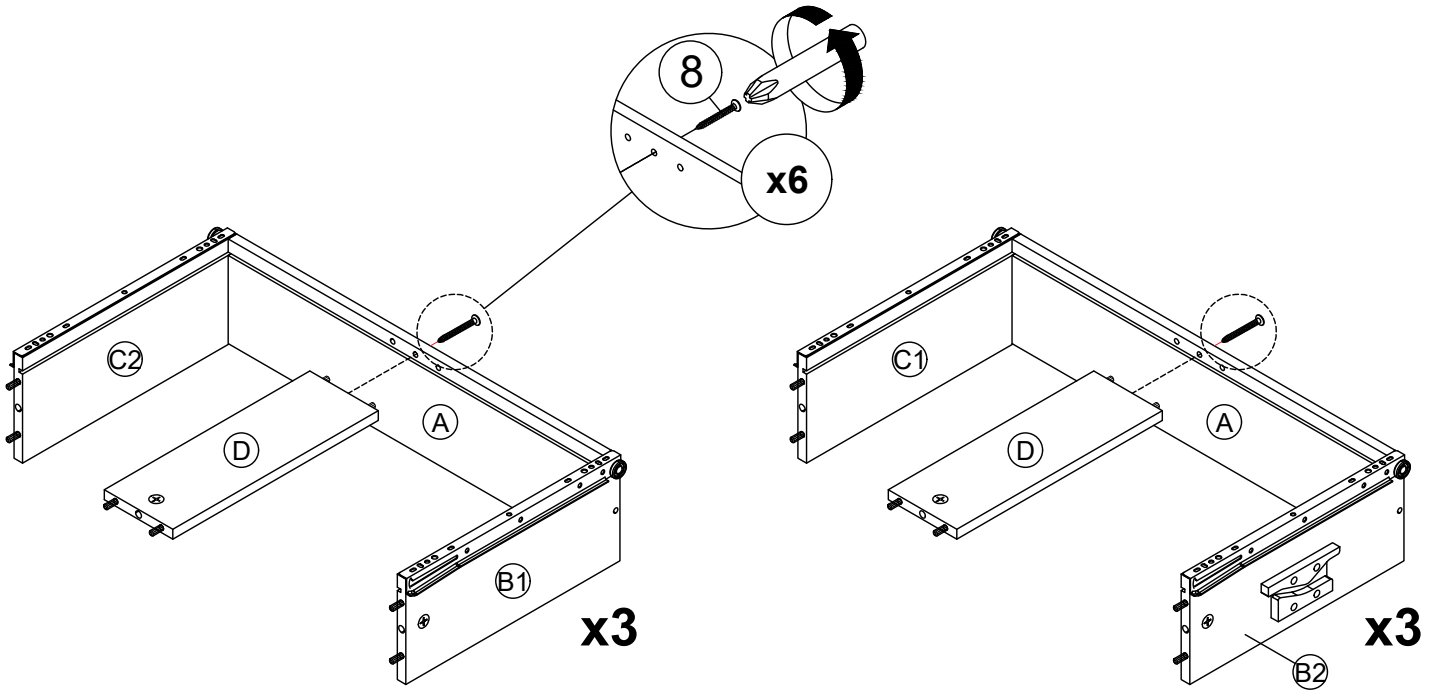
ASSEMBLY INSTRUCTION

STEP 15

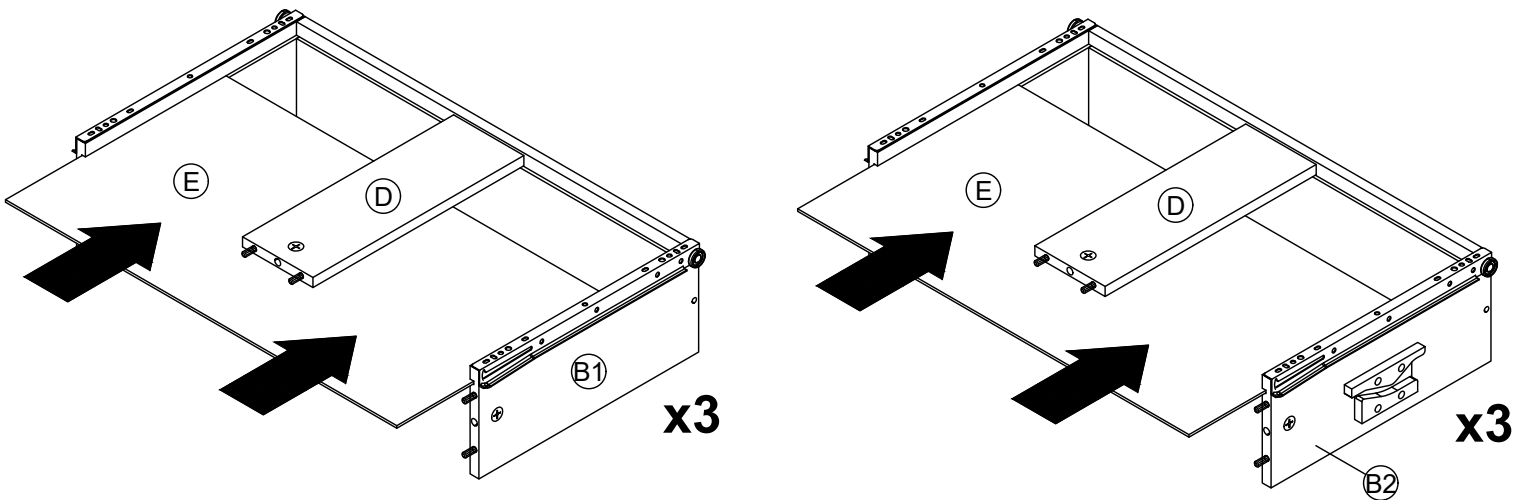
REQUIRED/REQUIS/REQUERIDO

x6 (8) 

 SCREWDRIVER
REQUIRED



STEP 16



ASSEMBLY INSTRUCTION

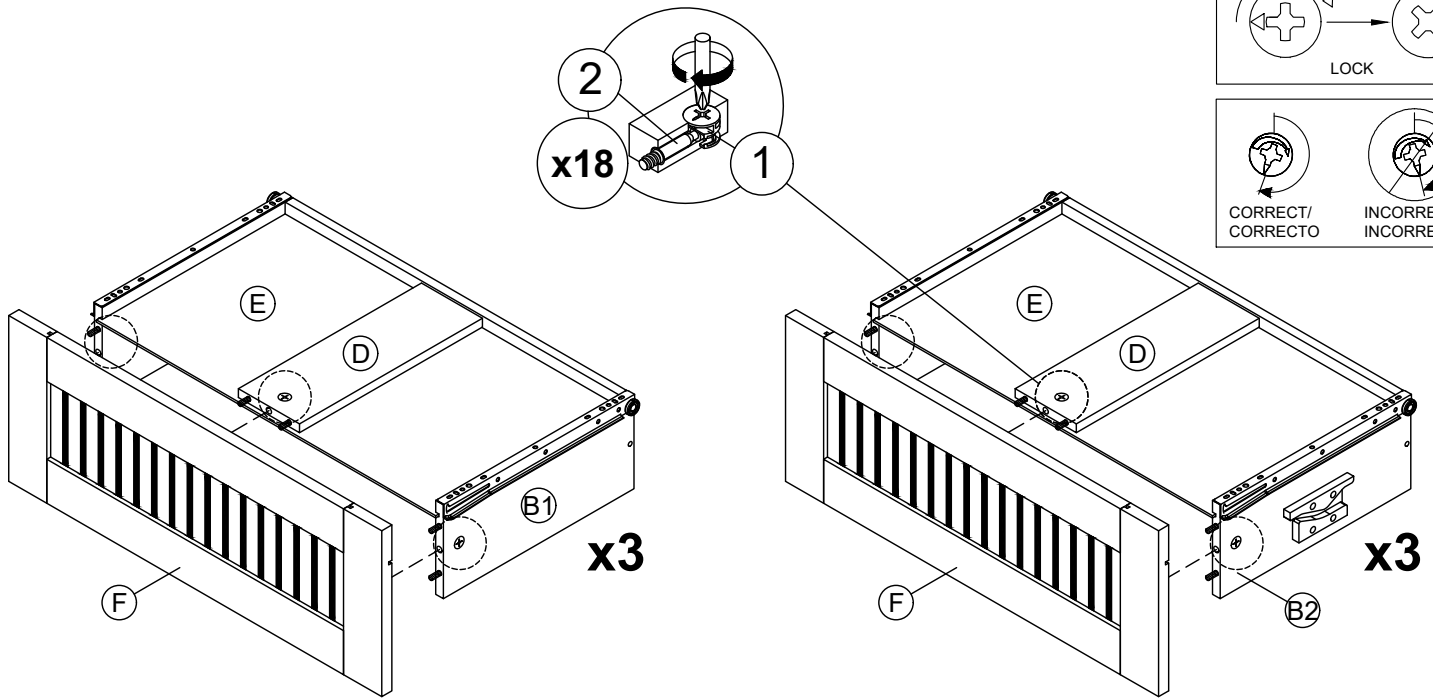
STEP 17

SCREWDRIVER
REQUIRED

LOCK

CORRECT/
CORRECTO

INCORRECT/
INCORRECTO

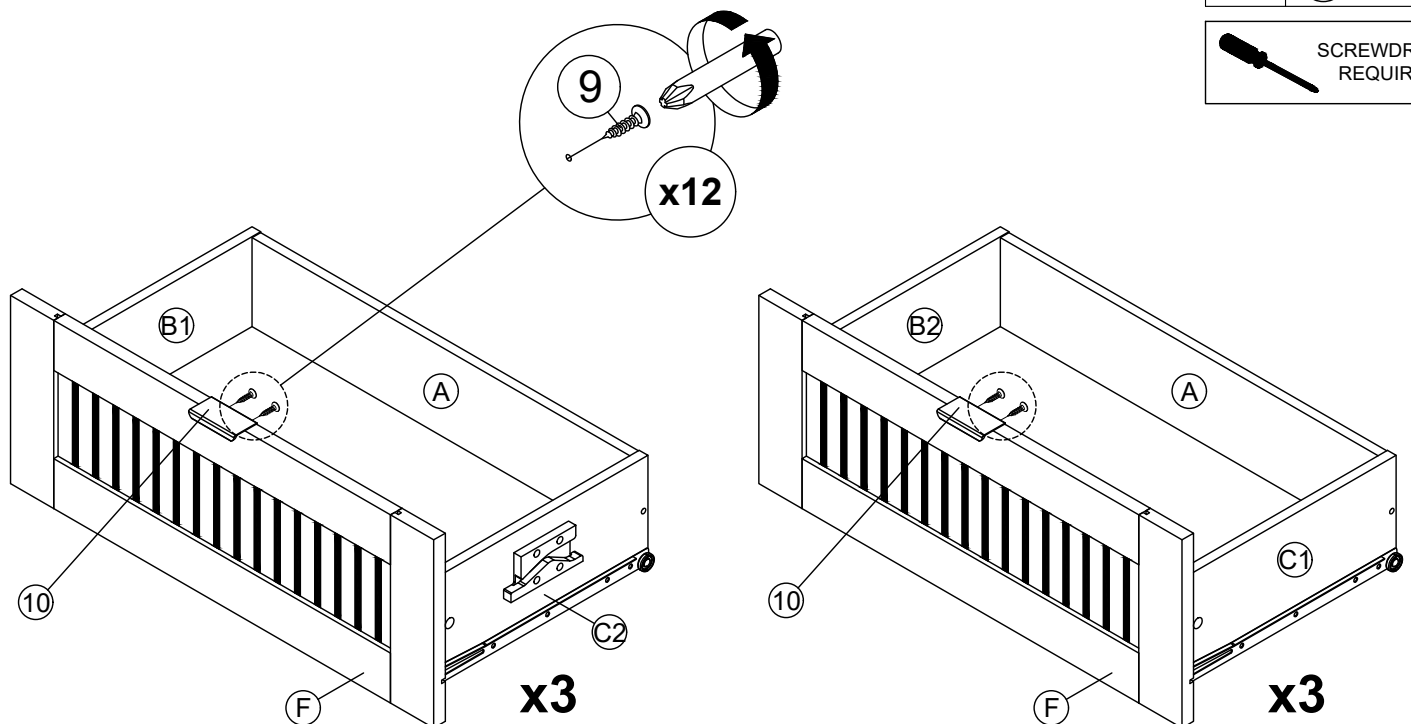


STEP 18

REQUIRED/REQUIS/REQUERIDO

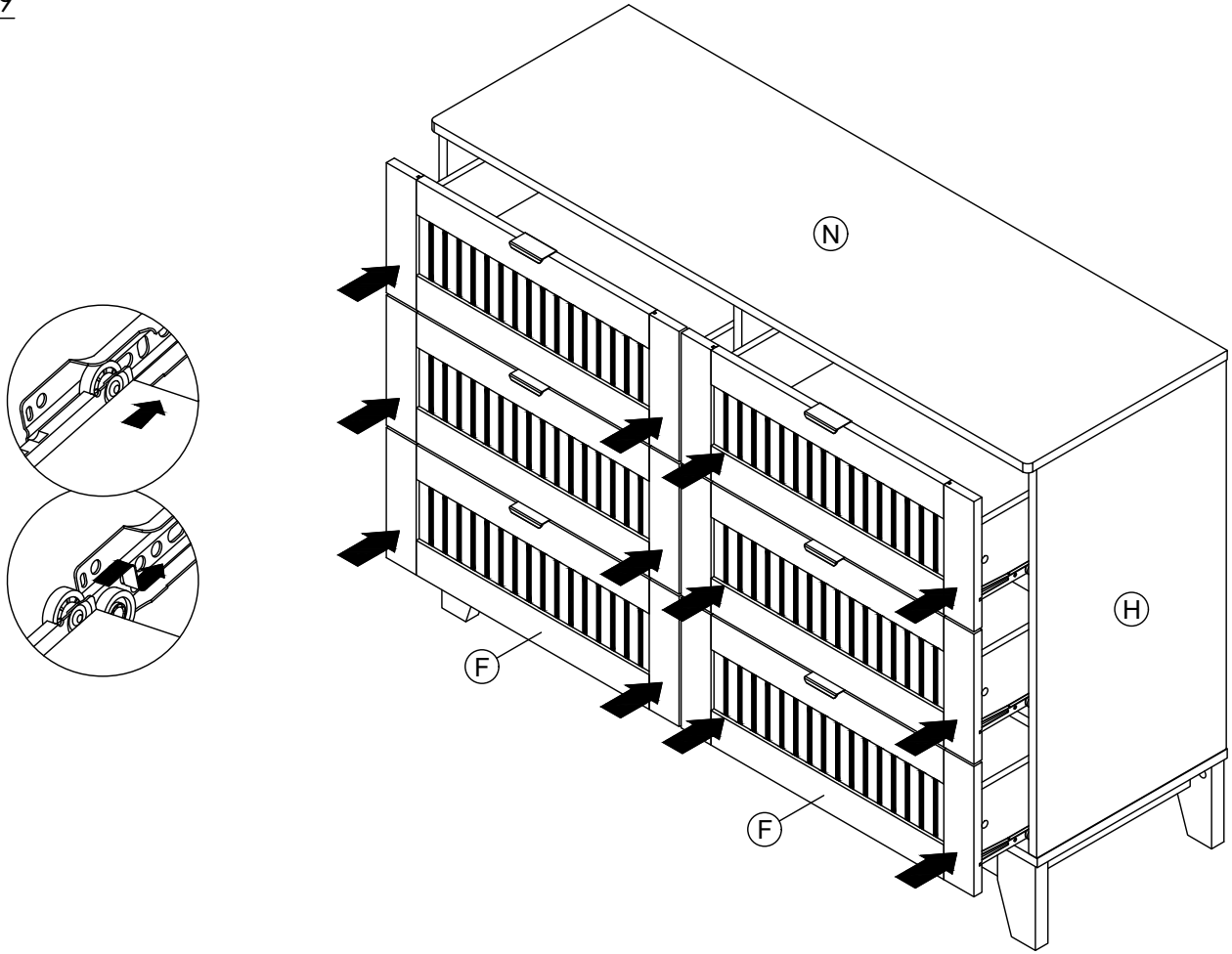
x12	9	
x6	10	

SCREWDRIVER
REQUIRED

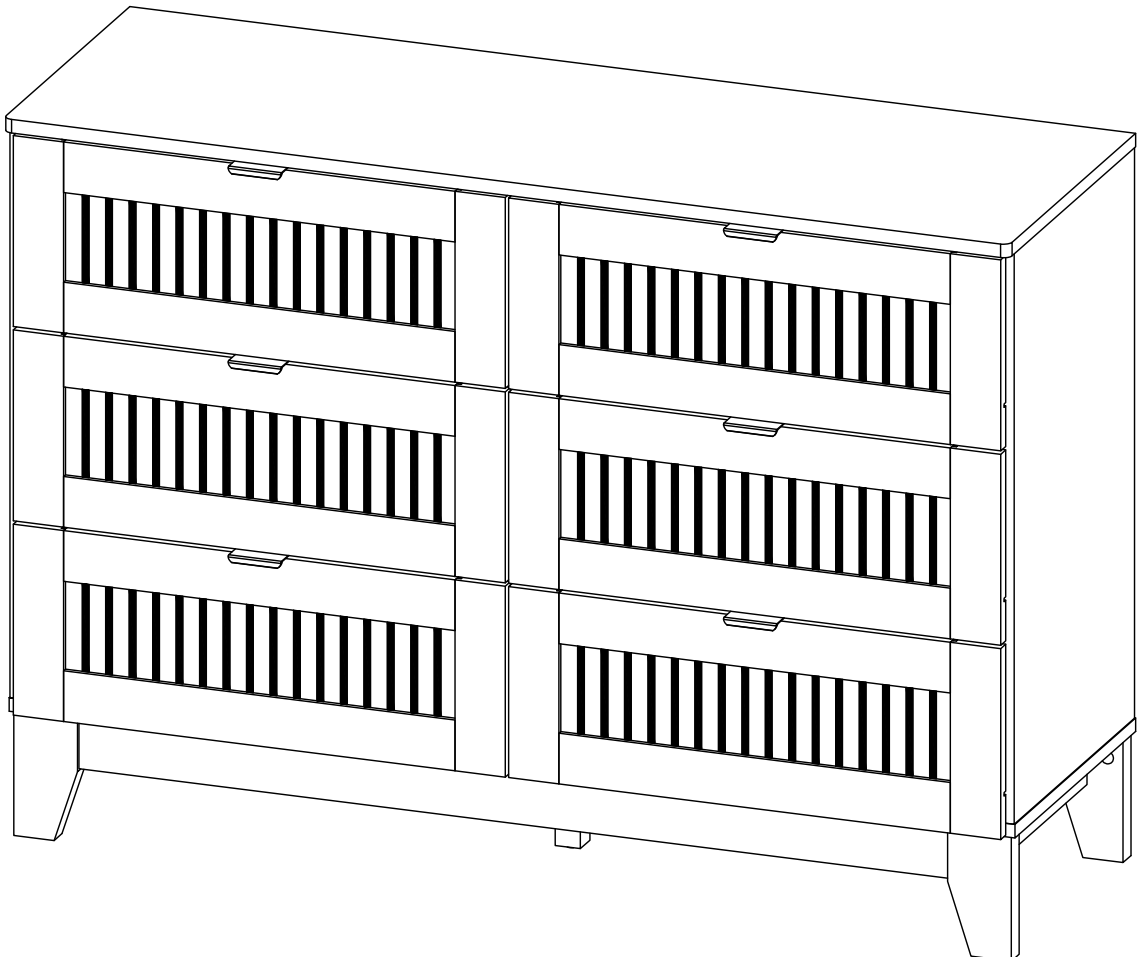


ASSEMBLY INSTRUCTION

STEP 19



COMPLETE



ASSEMBLY INSTRUCTION

Removing The Drawers

1. Remove Drawer
2. Reset the interlocking bar by sliding the bar downward past the detent ball
3. Remove the remaining drawers by repeating Step 1 & 2

