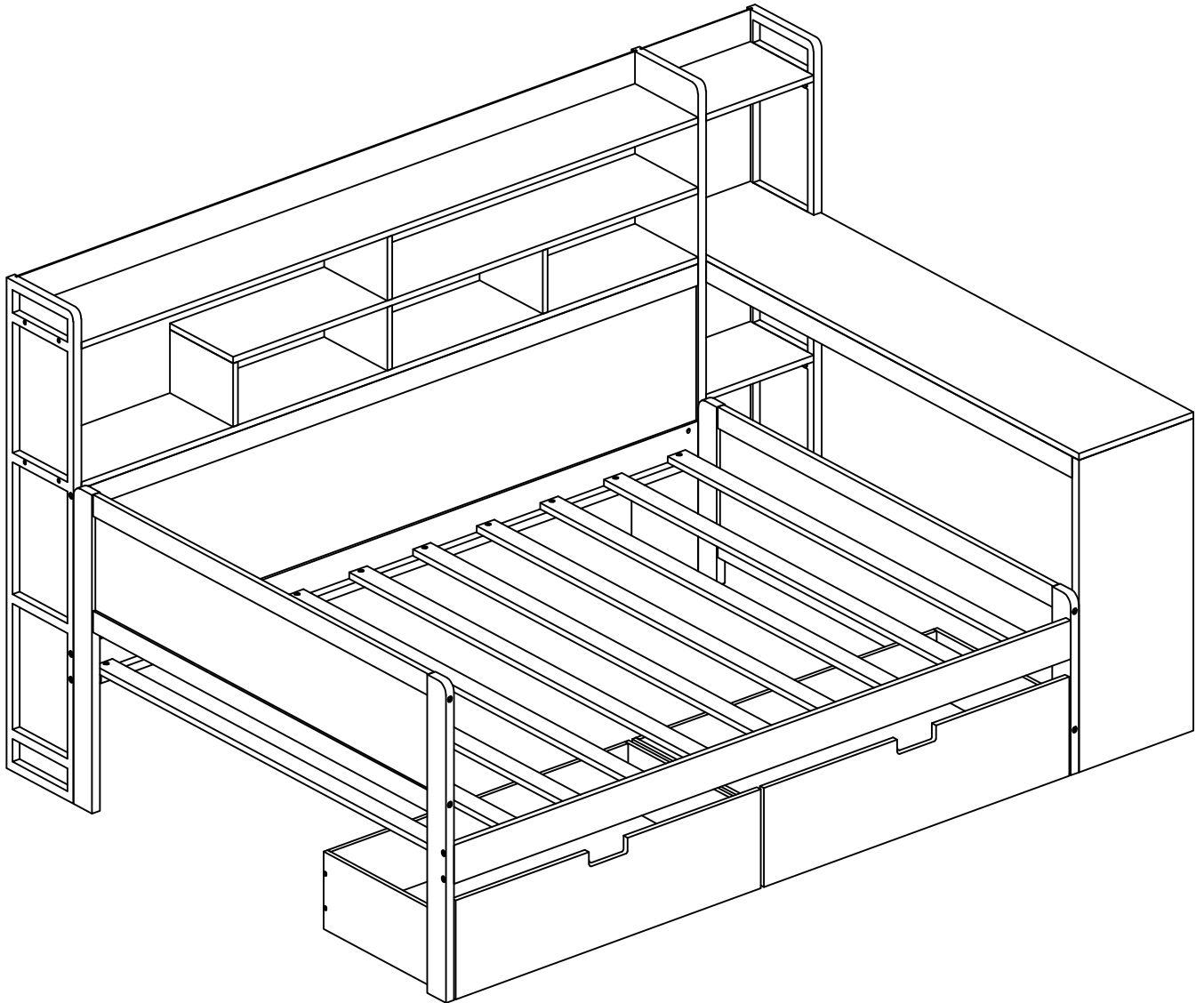
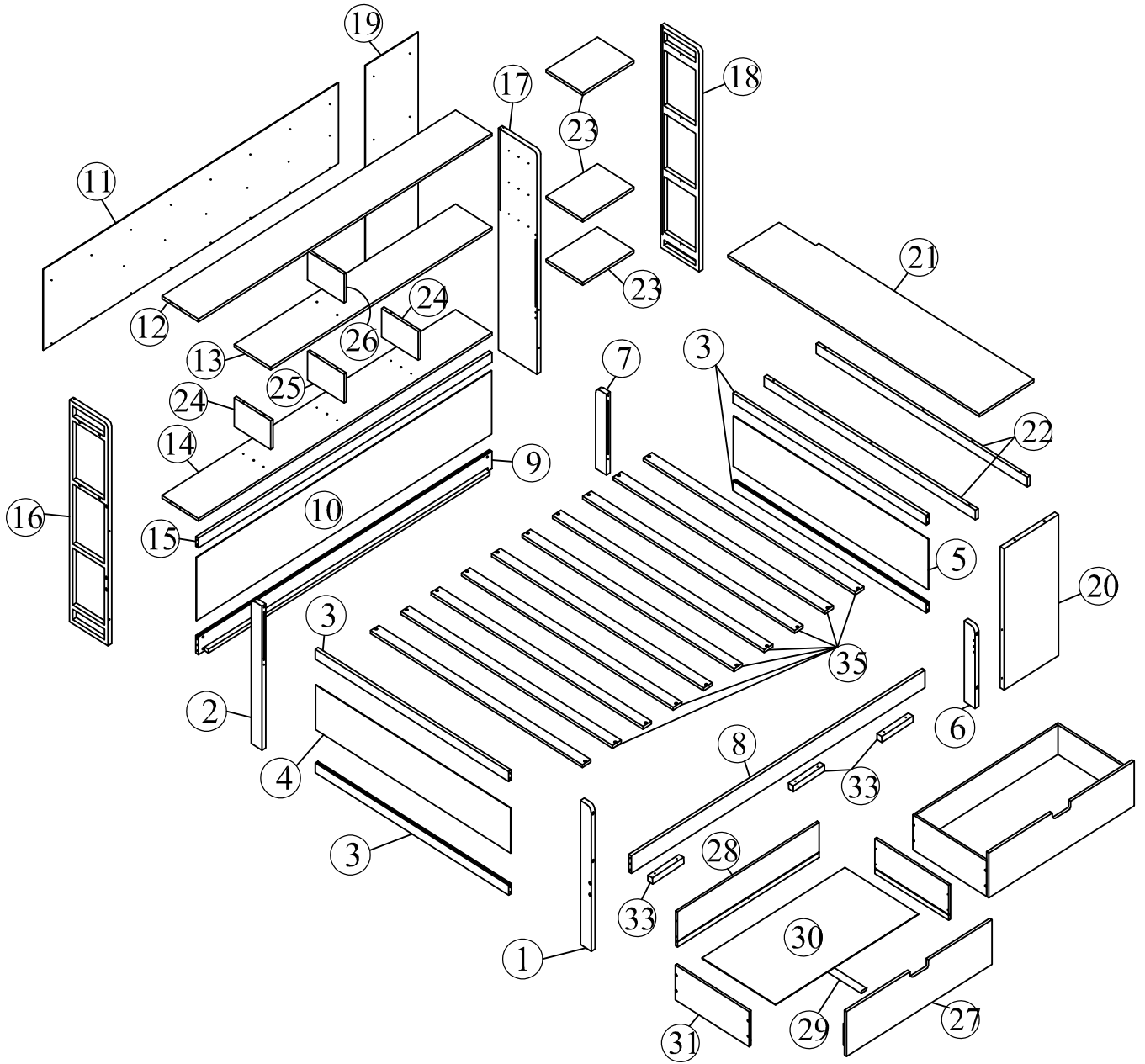


ASSEMBLY INSTRUCTION


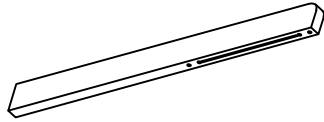


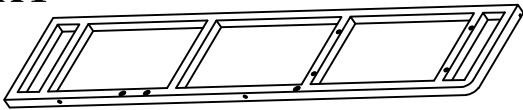
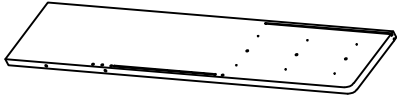
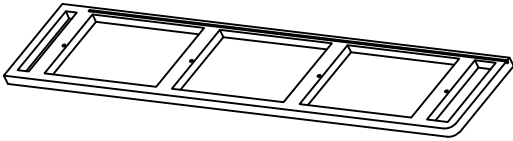
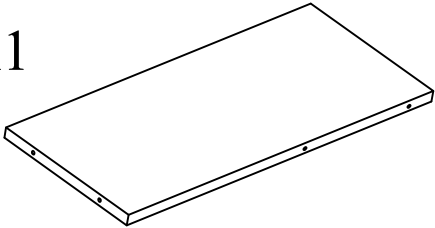
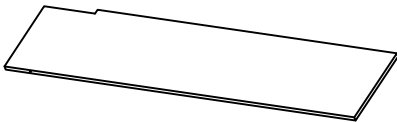
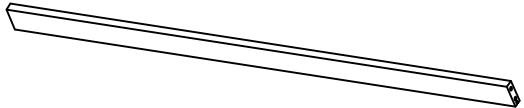
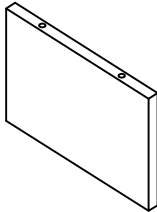
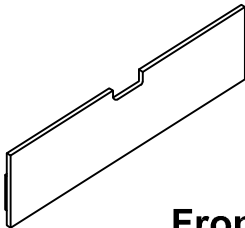
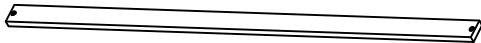
SKU CODE: WF318674 / WF318675




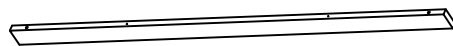
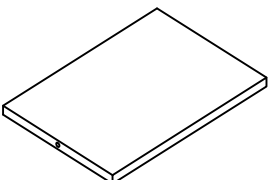
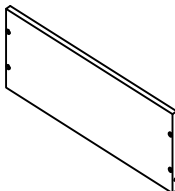
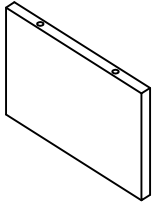
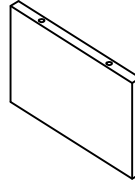

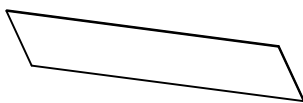


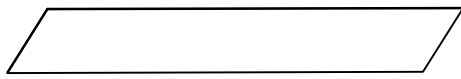
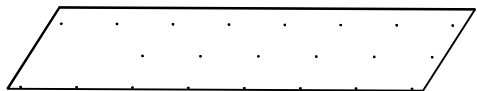

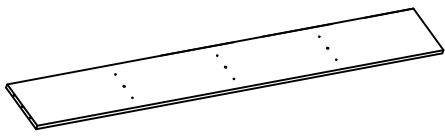
Detail:



Part List (WF318674)

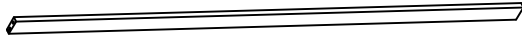
<p>① x1</p>  <p style="text-align: center;">Front (left) Leg</p>	<p>② x1</p>  <p style="text-align: center;">Back (left) Leg</p>
<p>⑥ x1</p>  <p style="text-align: center;">Front (right) leg</p>	<p>⑦ x1</p>  <p style="text-align: center;">Back (right) leg</p>
<p>①⑥ x1</p>  <p style="text-align: center;">Side panel</p>	<p>①⑦ x1</p>  <p style="text-align: center;">Side panel</p>
<p>①⑧ x1</p>  <p style="text-align: center;">Side panel</p>	<p>②⑦ x1</p>  <p style="text-align: center;">Side table</p>
<p>②① x1</p>  <p style="text-align: center;">Top table</p>	<p>③ x4</p>  <p style="text-align: center;">Top guard</p>
<p>②④ x2</p>  <p style="text-align: center;">Partition board</p>	<p>②⑦ x2</p>  <p style="text-align: center;">Front Drawers</p>
<p>③⑤ x7</p>  <p style="text-align: center;">Slats</p>	

Part List (WF318675)

<p>⑬ x1</p>  <p style="text-align: center;">Middle Shelf</p>	<p>⑳ x2</p>  <p style="text-align: center;">Support table</p>
<p>㉓ x3</p>  <p style="text-align: center;">Small Shelf</p>	<p>㉑ x4</p>  <p style="text-align: center;">Side Drawers</p>
<p>㉕ x1</p>  <p style="text-align: center;">Partition board</p>	<p>㉖ x1</p>  <p style="text-align: center;">Partition board</p>
<p>④ x1</p>  <p style="text-align: center;">Panel</p>	<p>⑤ x1</p>  <p style="text-align: center;">Panel</p>
<p>⑧ x1</p>  <p style="text-align: center;">Side rail</p>	<p>⑨ x1</p>  <p style="text-align: center;">Side rail</p>
<p>⑩ x1</p>  <p style="text-align: center;">Panel</p>	<p>⑪ x1</p>  <p style="text-align: center;">Back panel</p>
<p>⑫ x1</p>  <p style="text-align: center;">Top shelf</p>	<p>⑭ x1</p>  <p style="text-align: center;">Bottom shelf</p>

Part List (WF318675)

15 x1



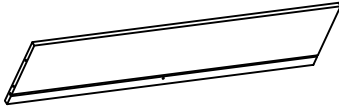
Top wood bar with groove

19 x1



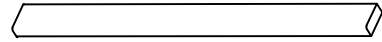
Back panel

28 x2



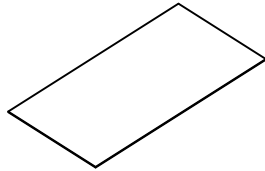
Back Drawers

29 x2



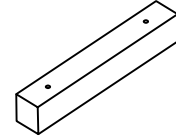
Support Drawers

30 x2



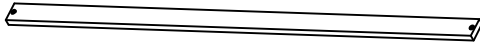
Bottom Drawers

33 x3







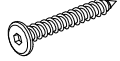


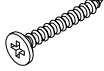
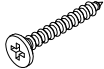
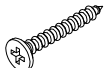

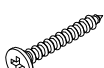



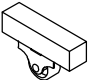

Wood bar

35 x7

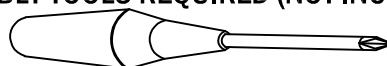


Slats


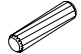


Hardware List (WF318674)

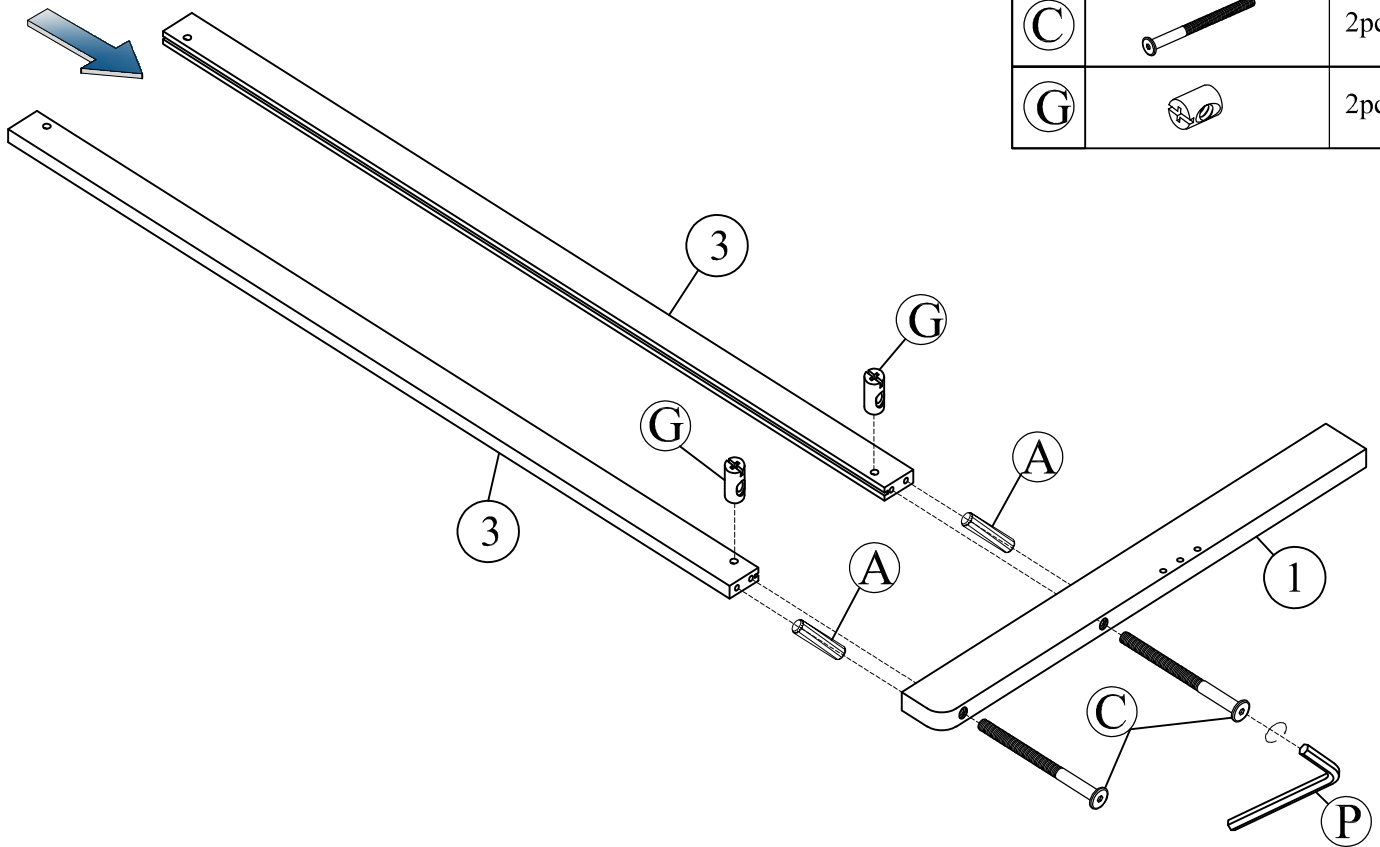
No.	OUTLOOK	DESC	QTY
(A)		Dowel Ø8*30mm	40pcs
(B)		Dowel Ø8*55mm	2pcs
(C)		Bolts M6*110mm	8pcs
(D)		Bolts M6*70mm	10pcs
(F)		Bolts M6*35mm	6pcs
(G)		Cross dowel M6*13mm	18pcs
(H)		Cross dowel Ø10*10mm	16pcs
(I)		Flat head screw #8*60mm	20pcs
(J)		Flat head screw #8*20mm	16pcs
(K)		Flat head screw #8*30mm	20pcs
(L)		Flat head screw #8*25mm	24pcs
(M)		Flat head screw #7*12mm	54pcs
(N)		Round head screw #8*15mm	30pcs
(O)		Pat L	27pcs
(P)		Allen key 60*22*4mm	1pc
(Q)		Wheels	8pcs
(Y)		Dowel Ø8*45mm	2pcs

ASSEMBLY TOOLS REQUIRED (NOT INCLUDED)

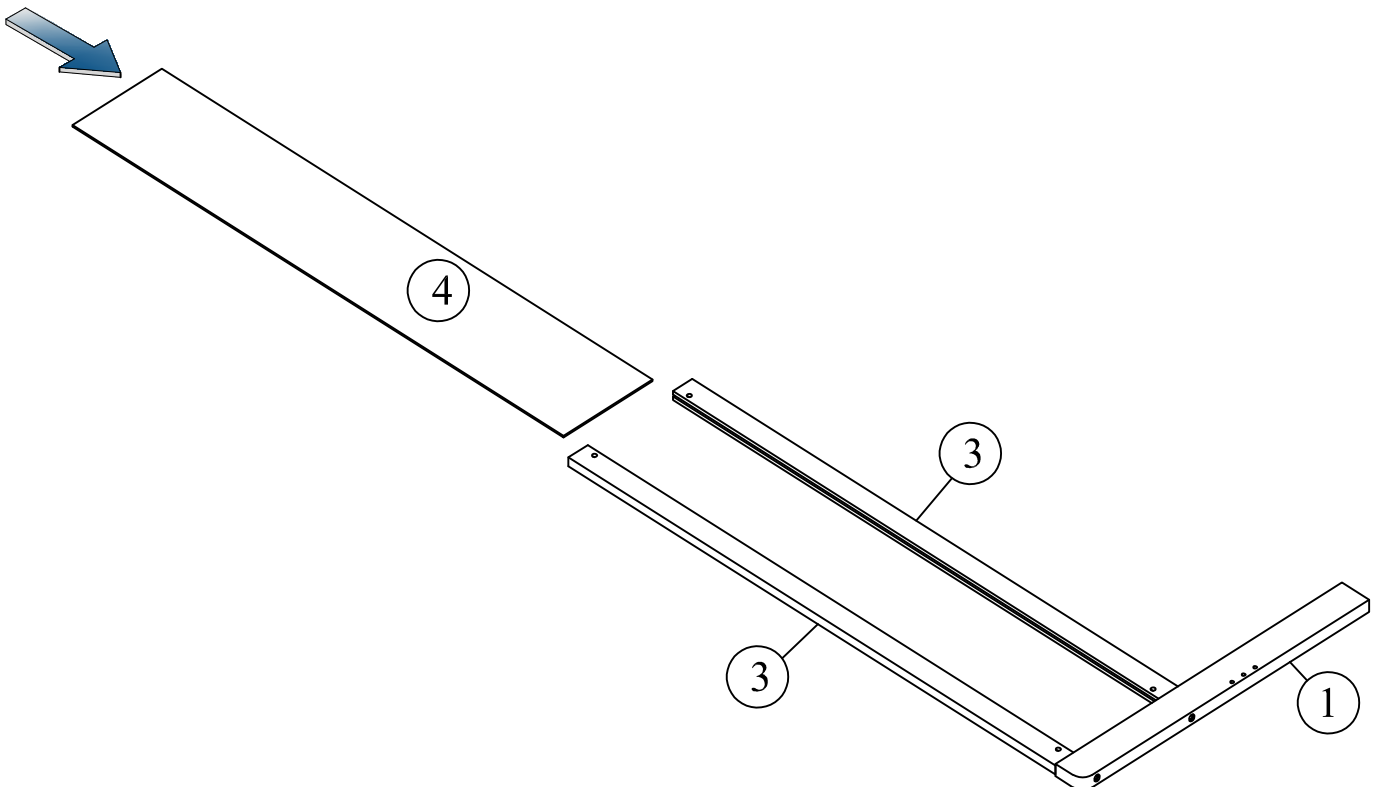


STEP 1:

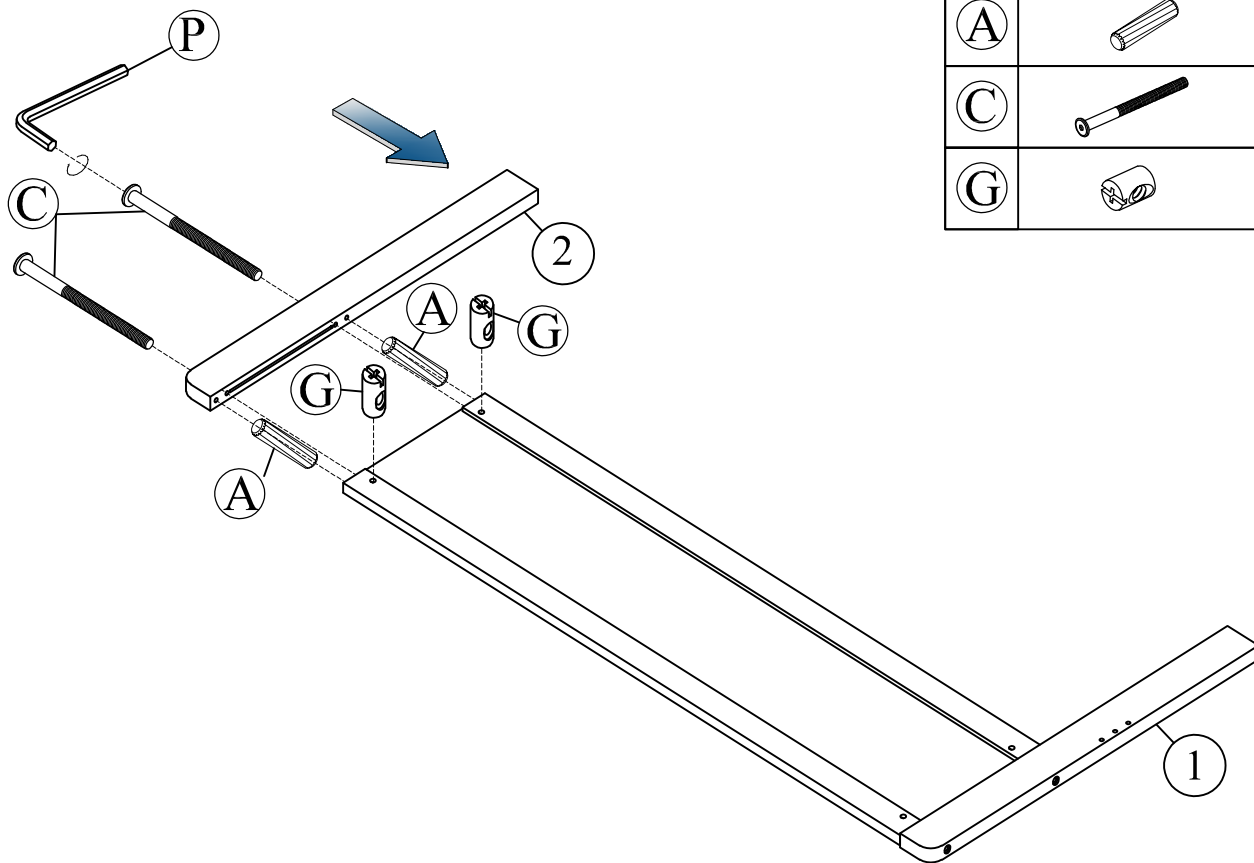
(P)		1pc
(A)		2pcs
(C)		2pcs
(G)		2pcs



STEP 2:

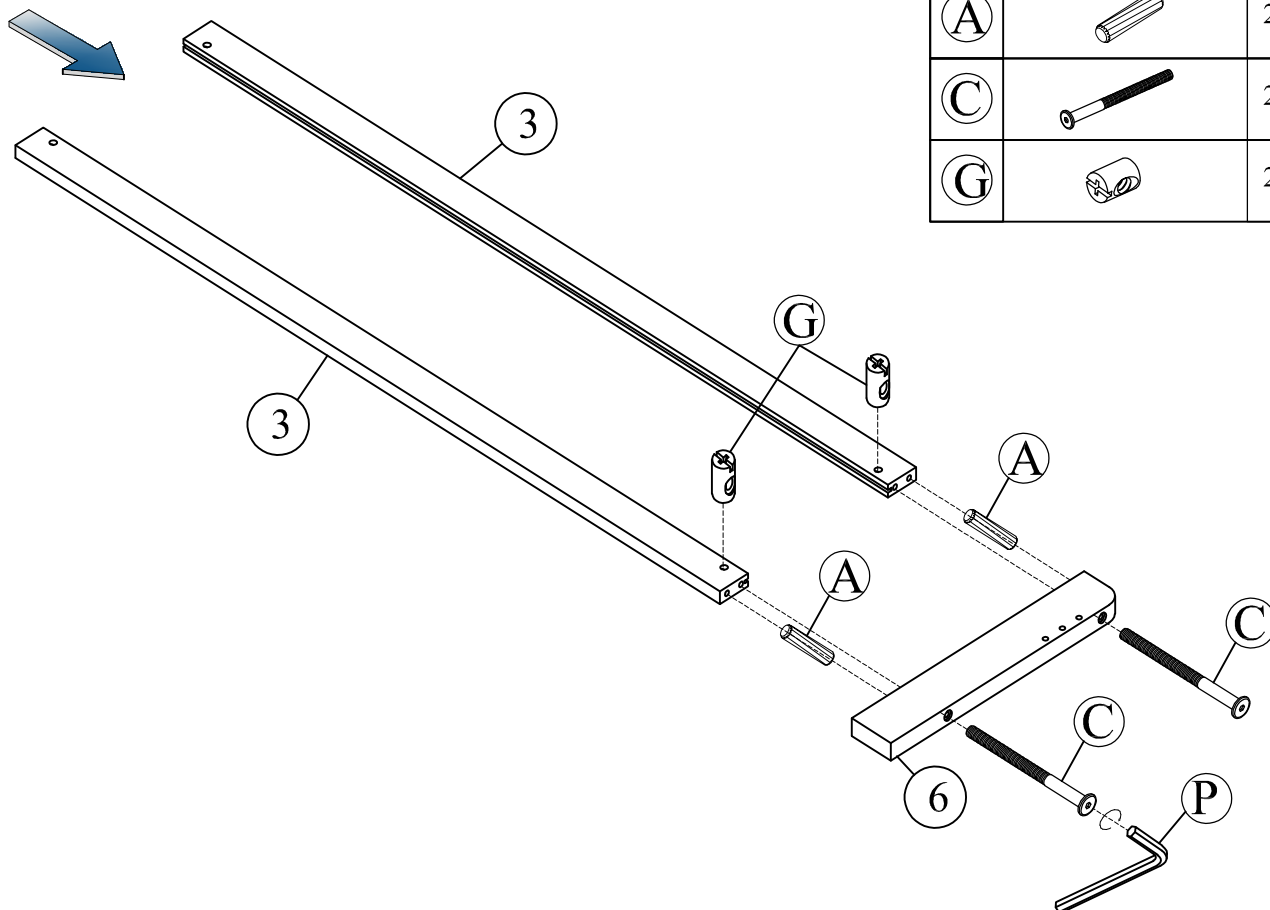


STEP 3:



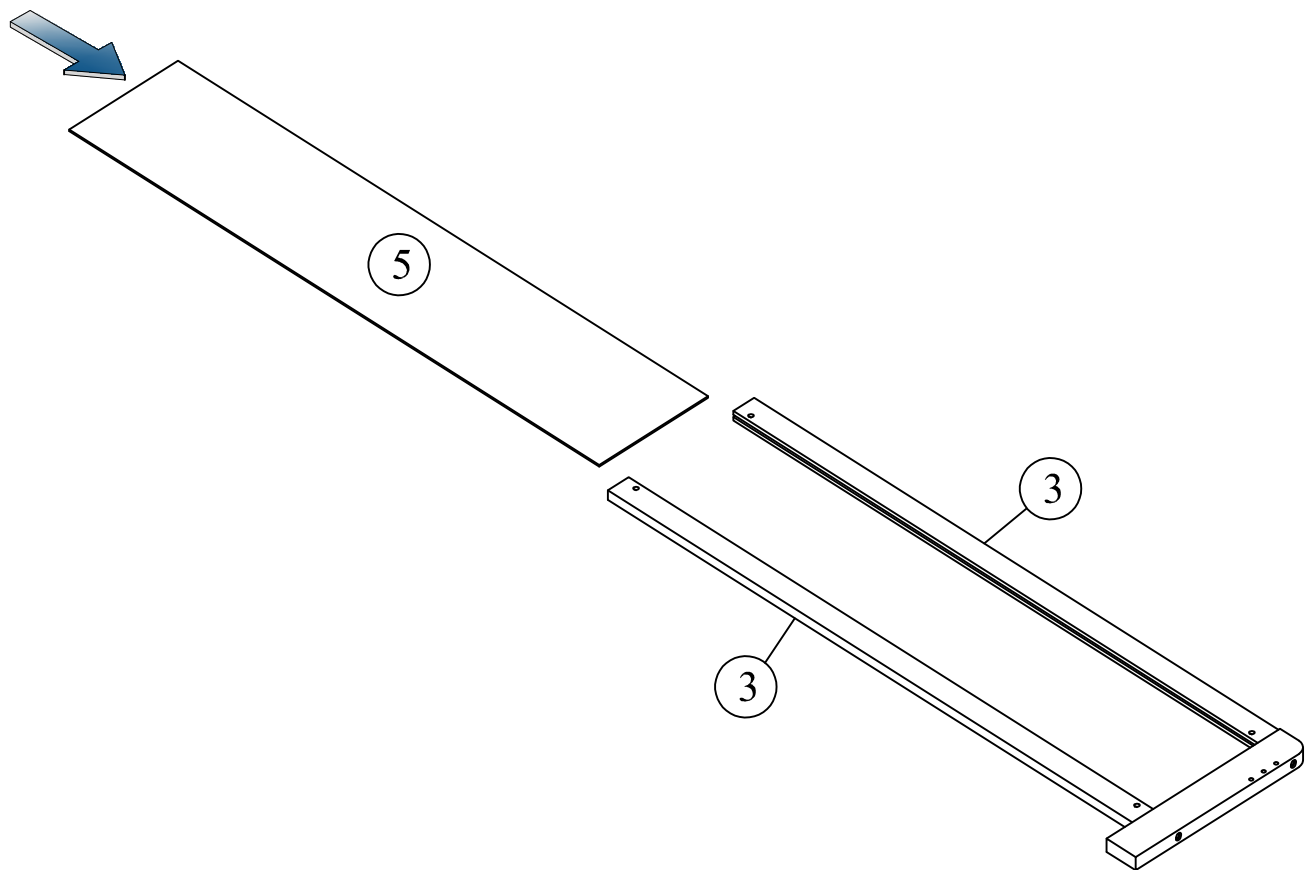
(P)		1pc
(A)		2pcs
(C)		2pcs
(G)		2pcs

STEP 4:

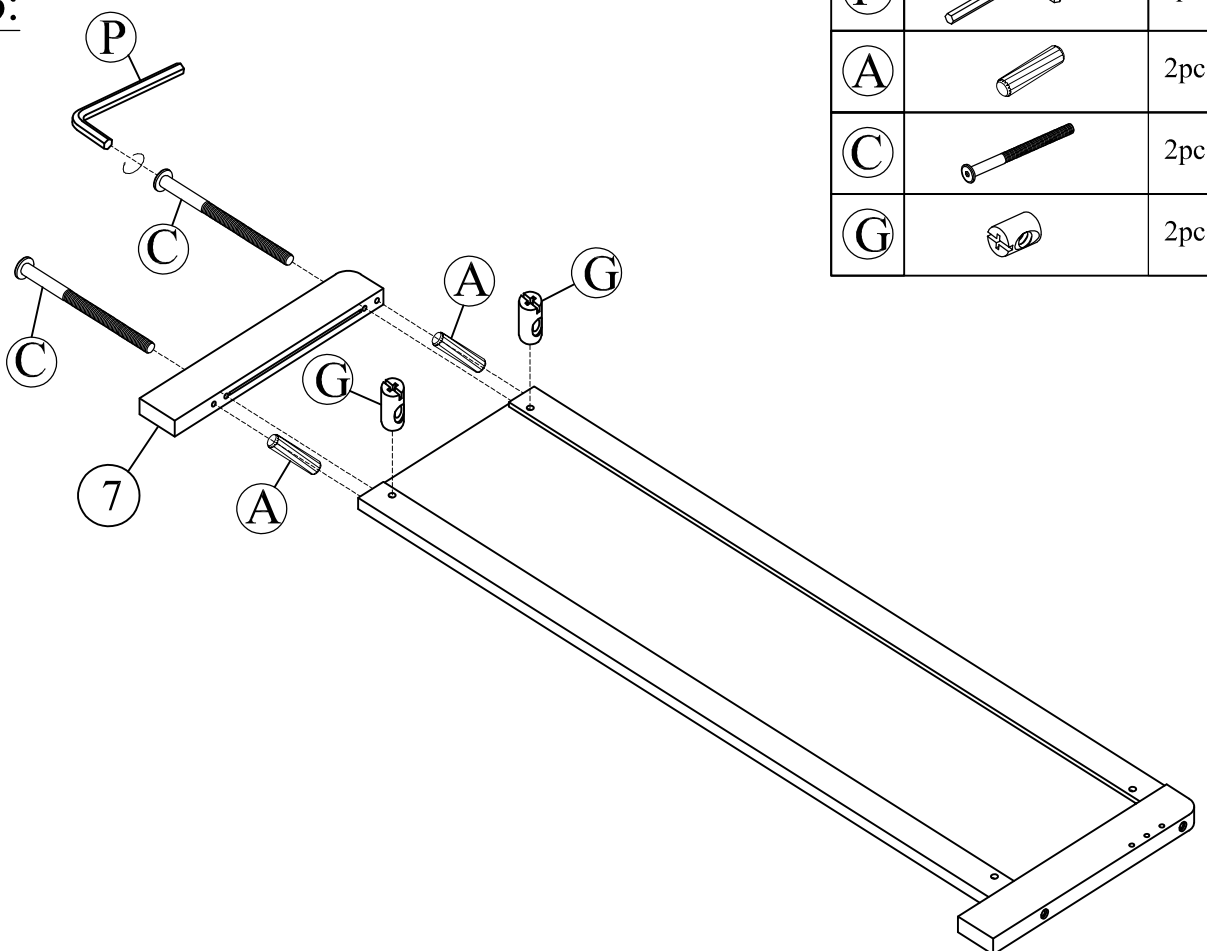


(P)		1pc
(A)		2pcs
(C)		2pcs
(G)		2pcs

STEP 5:

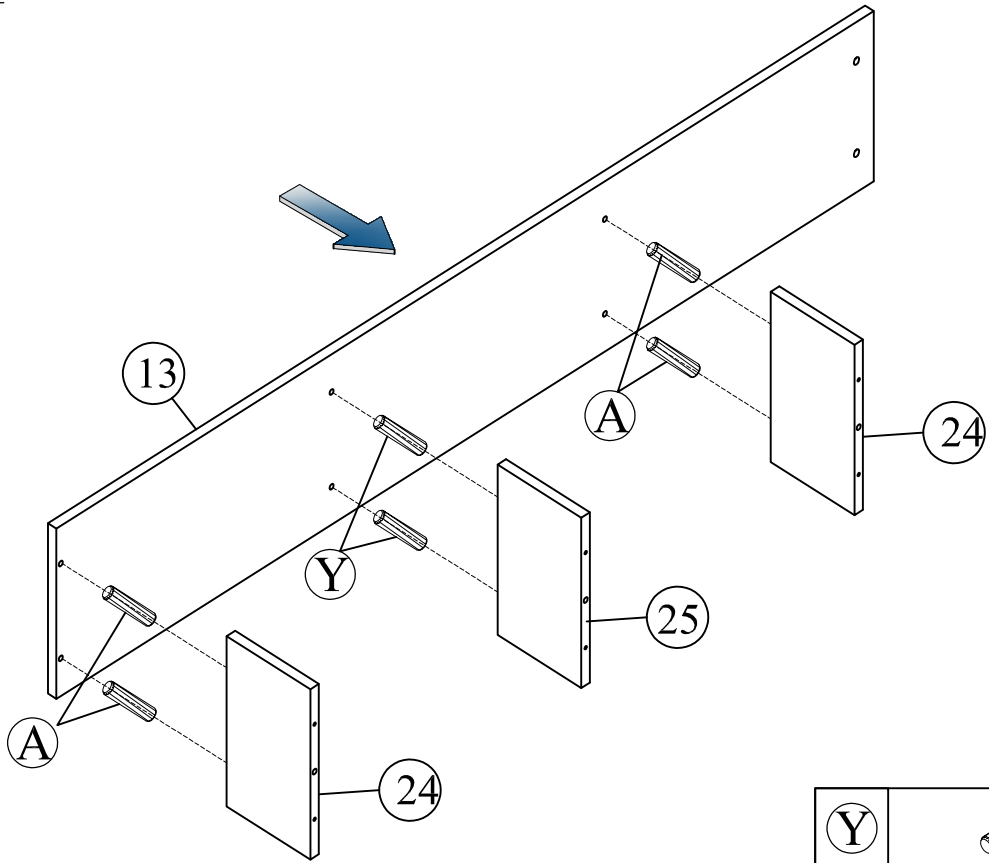


STEP 6:



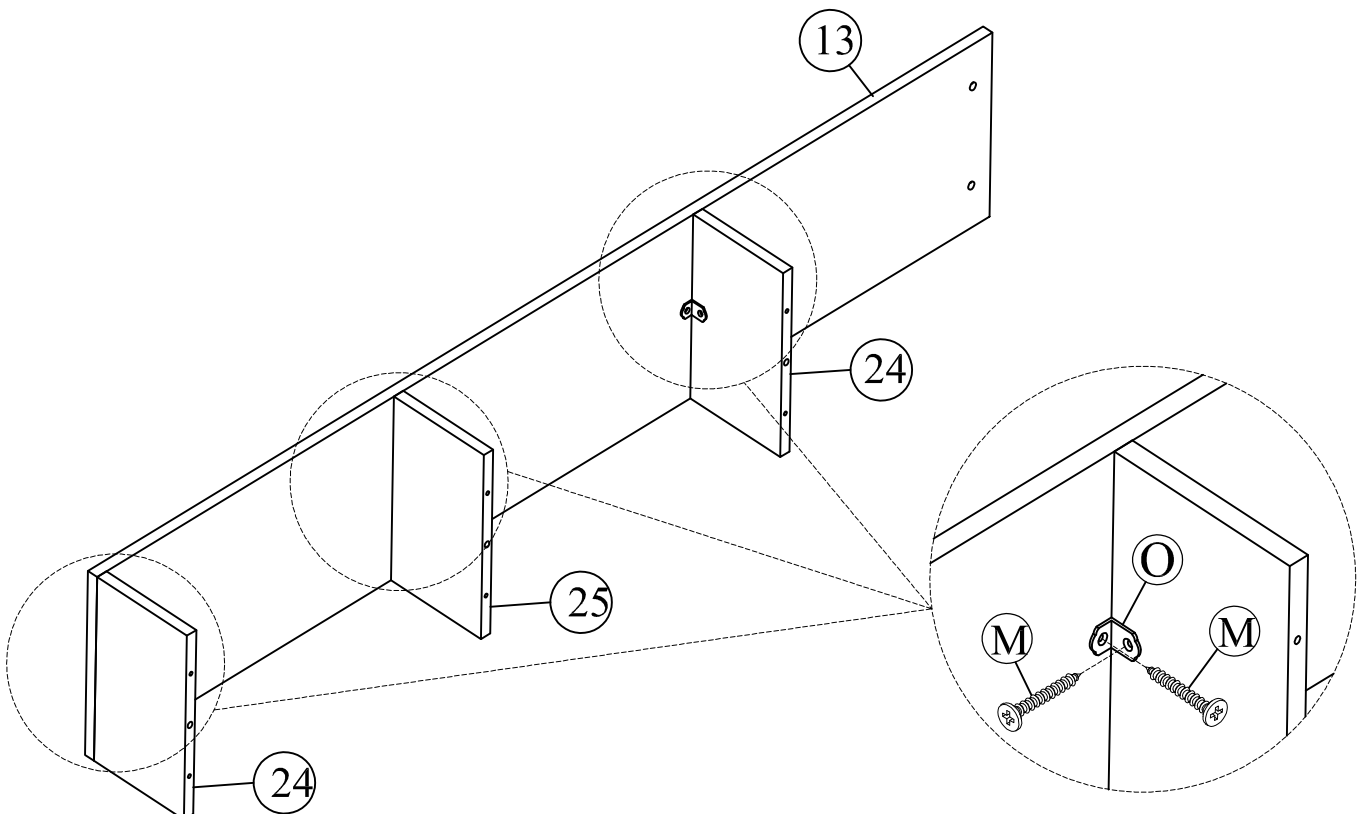
(P)		1pc
(A)		2pcs
(C)		2pcs
(G)		2pcs

STEP 7:

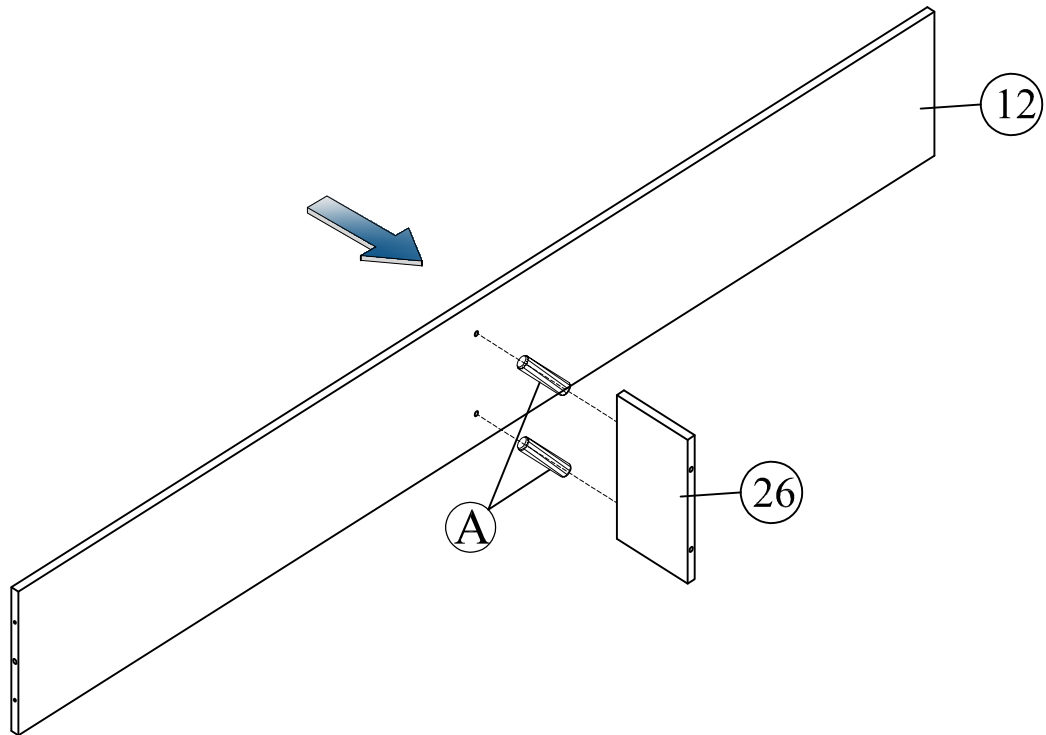


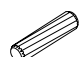
(Y)		2pcs
(A)		4pcs
(O)		3pcs
(M)		6pcs

STEP 8:

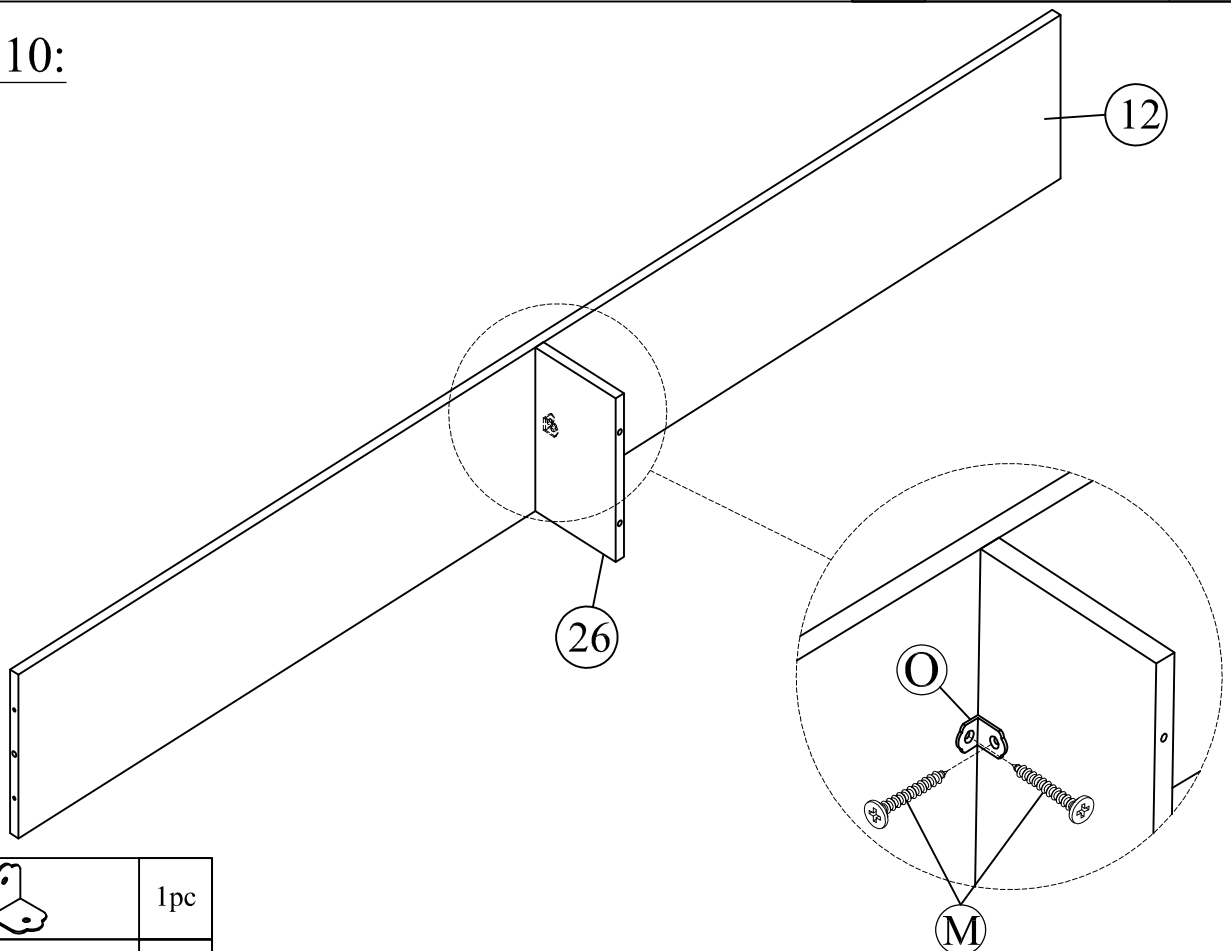




STEP 9:



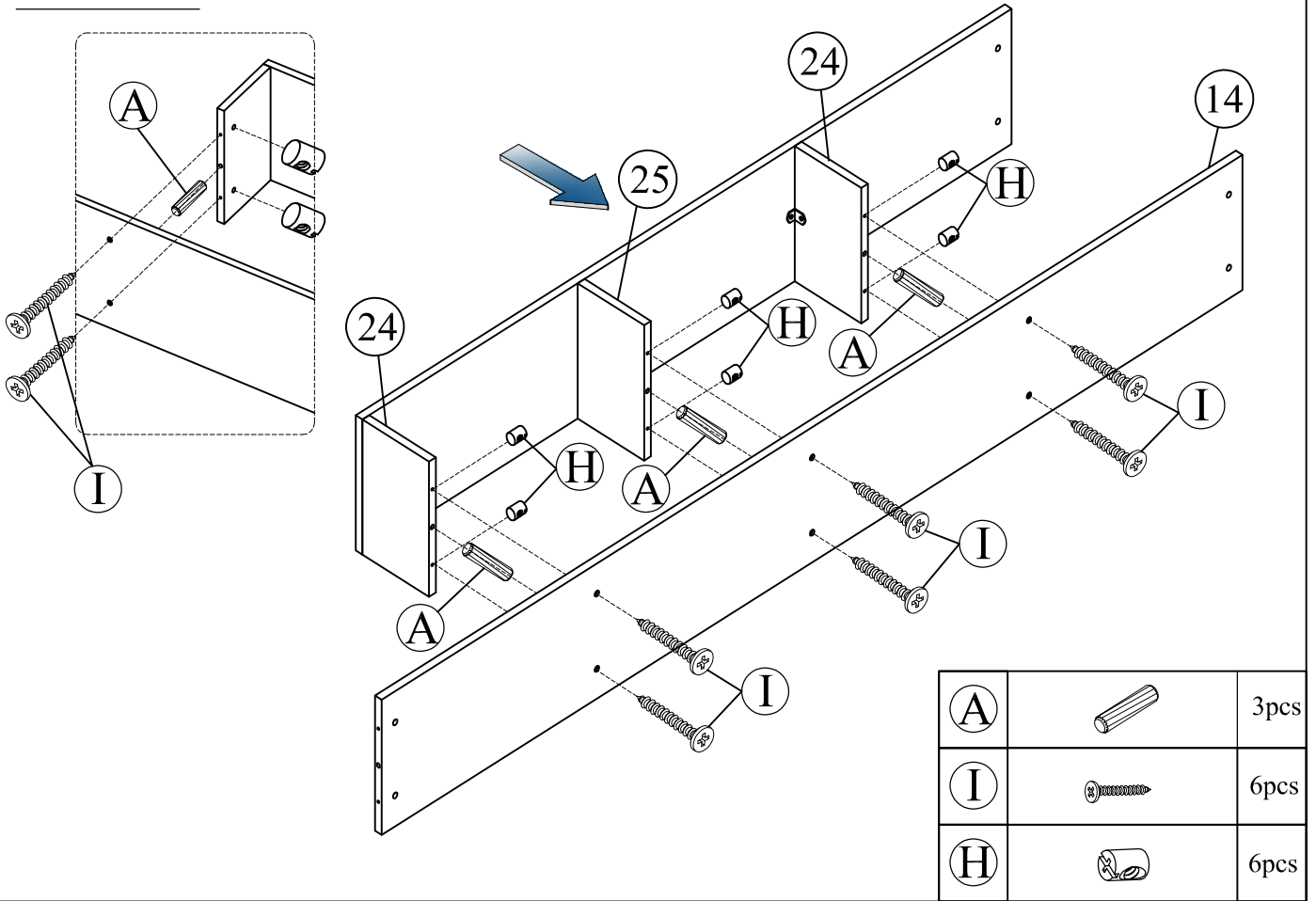
(A)		2pcs
-----	---	------

STEP 10:

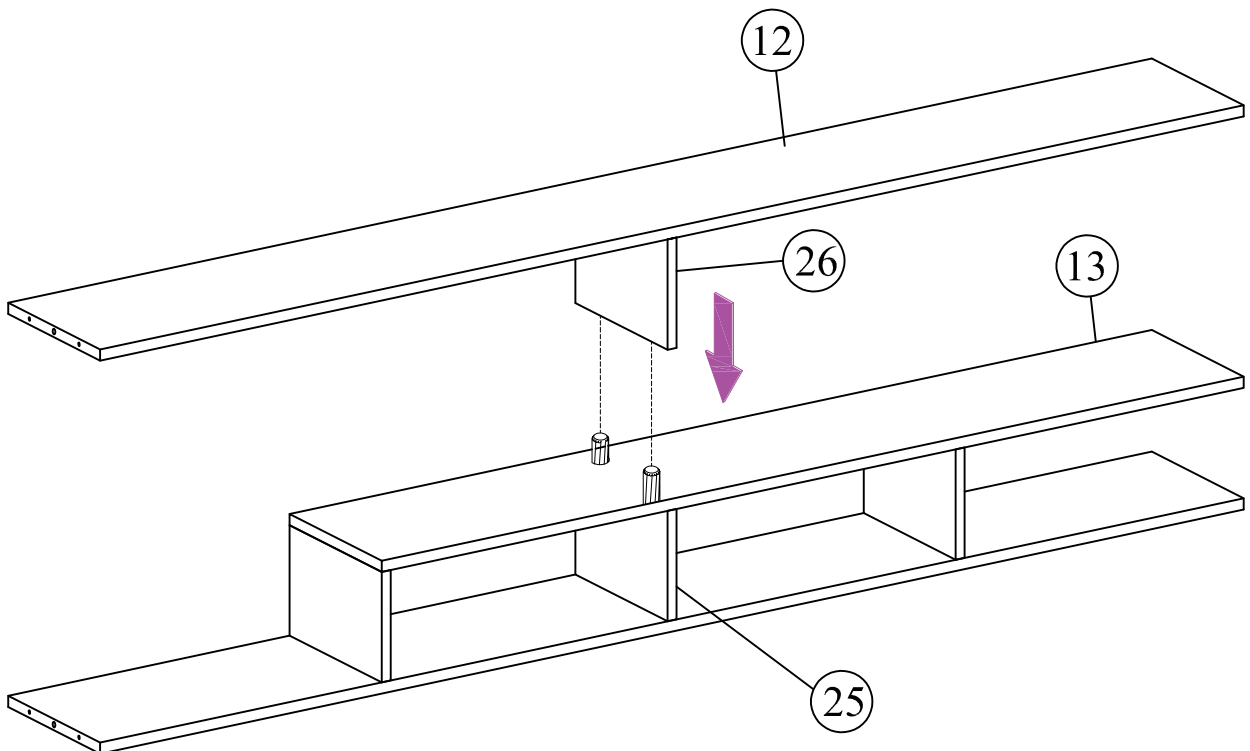


(O)		1pc
(M)		2pcs

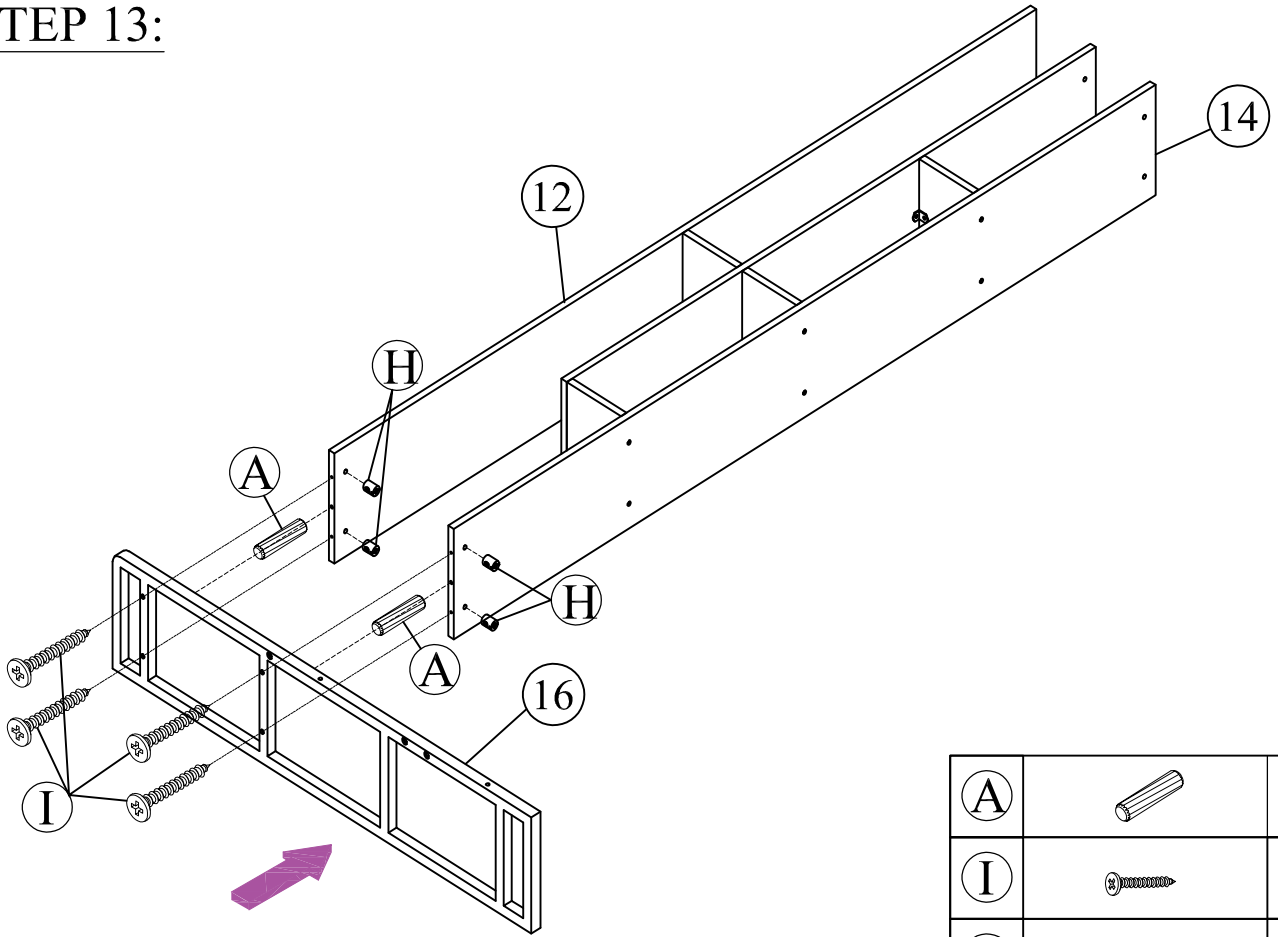
STEP 11:

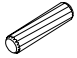




STEP 12:

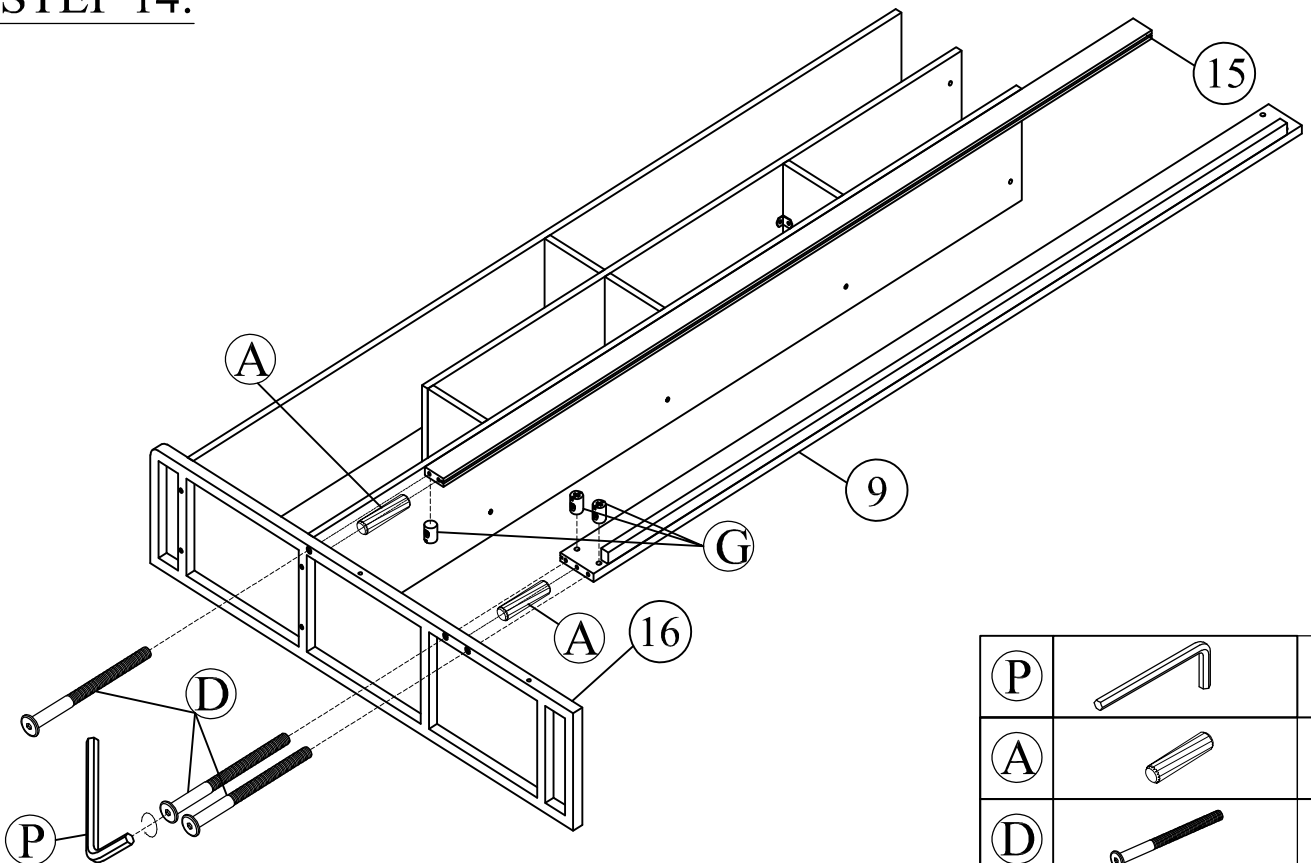



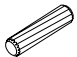


STEP 13:



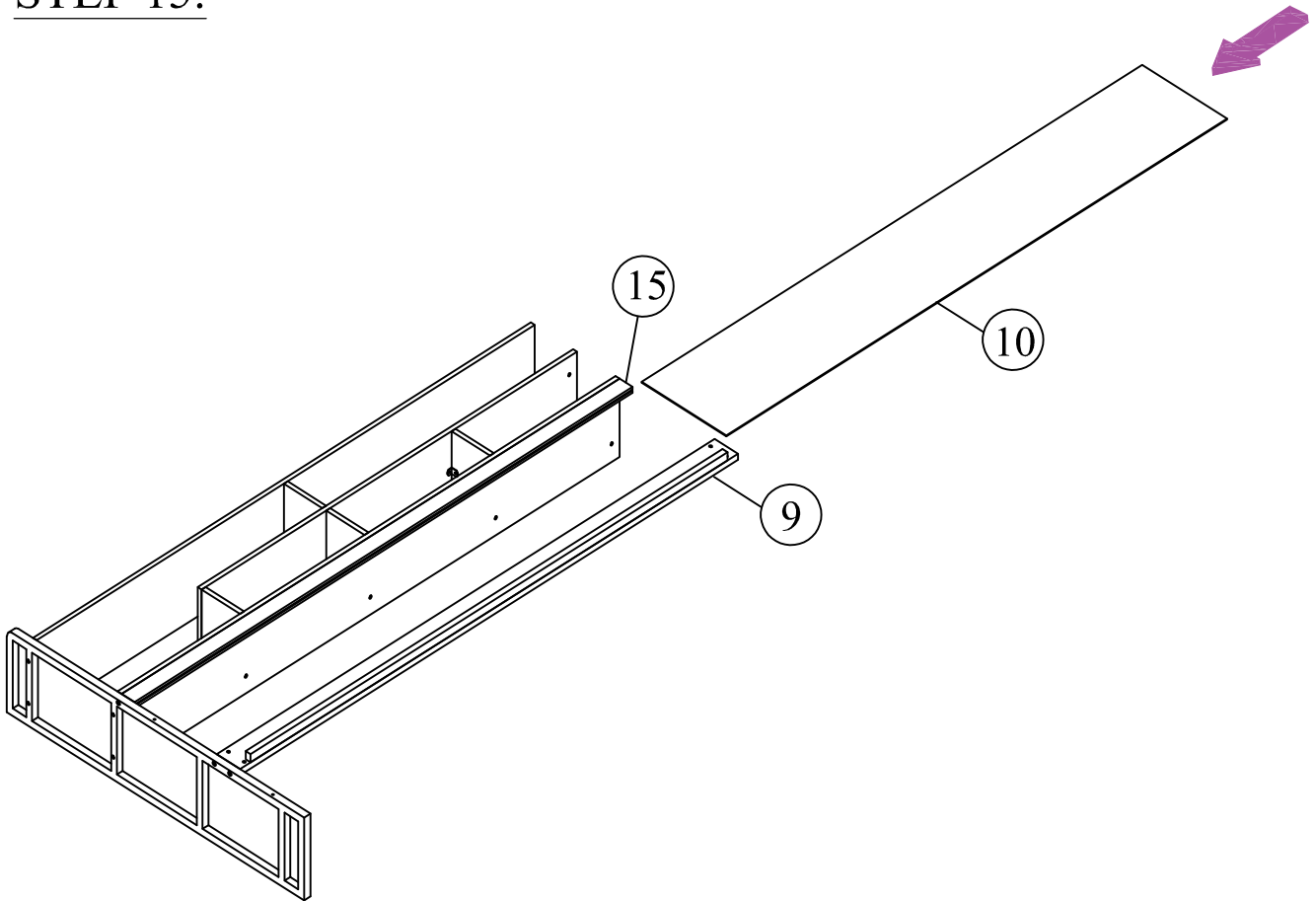
(A)		2pcs
(I)		4pcs
(H)		4pcs

STEP 14:

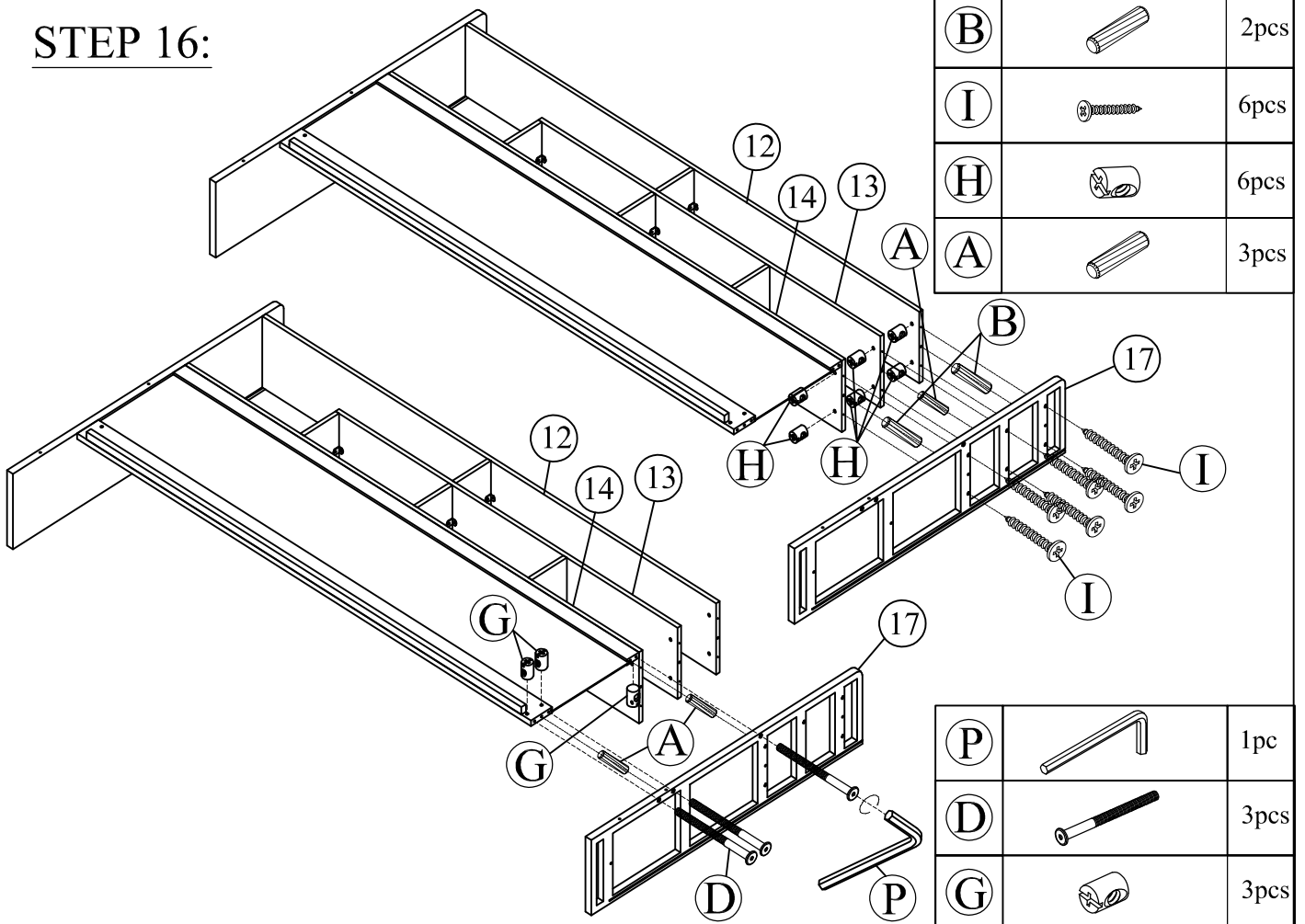


(P)		1pc
(A)		2pcs
(D)		3pcs
(G)		3pcs

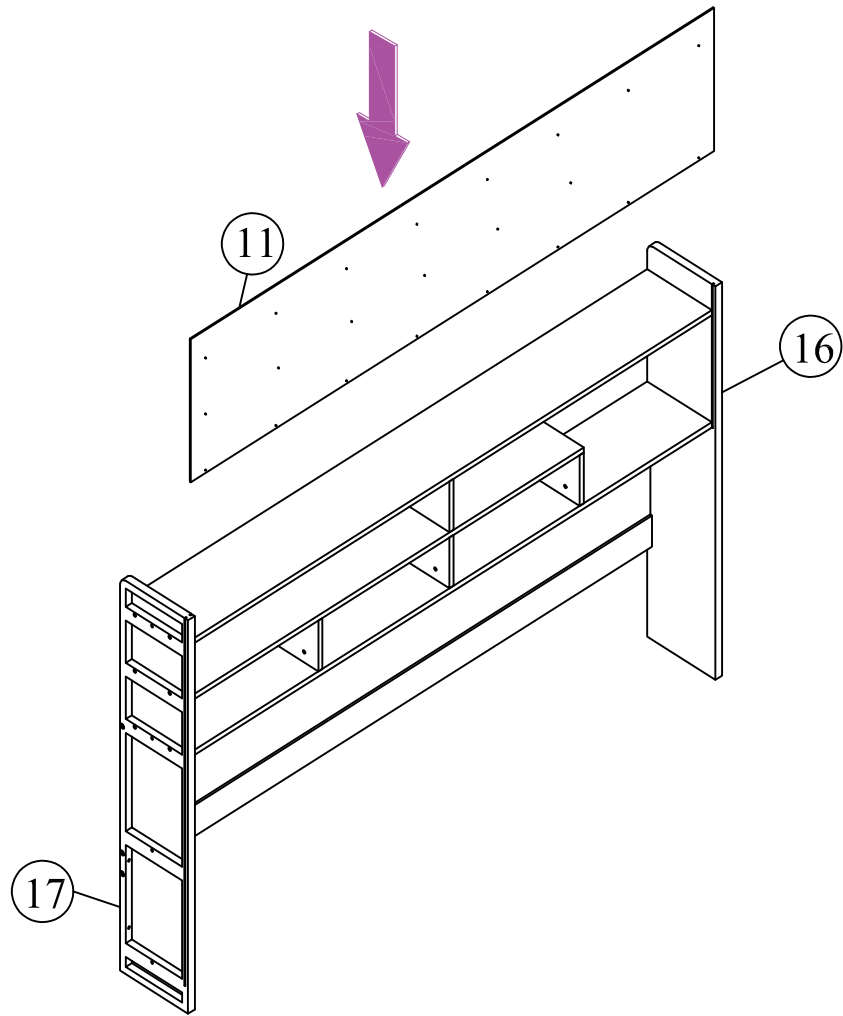
STEP 15:



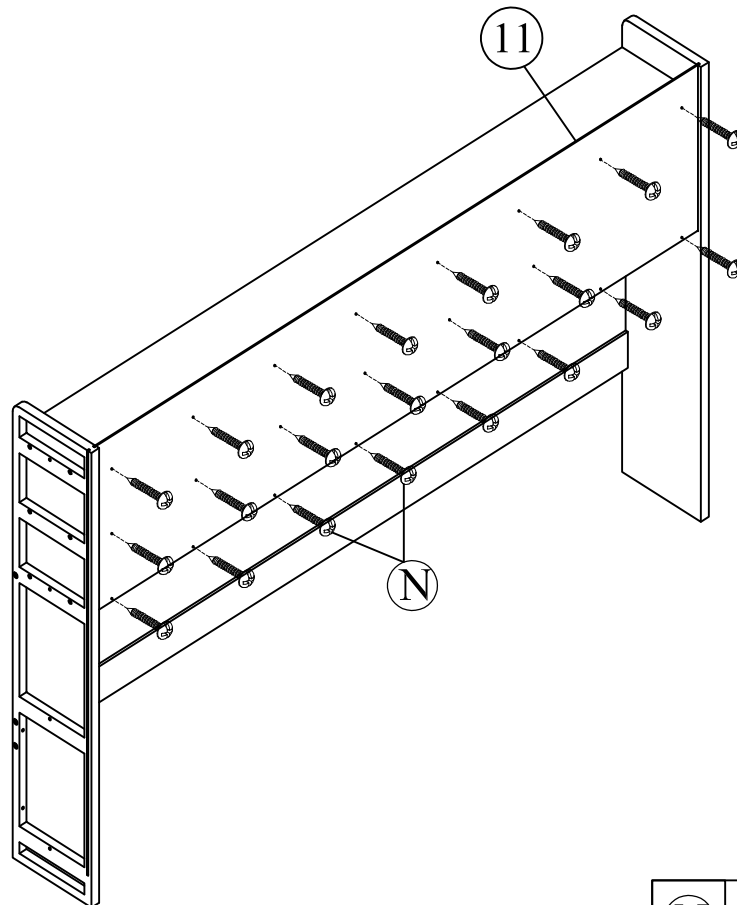
STEP 16:




STEP 17:

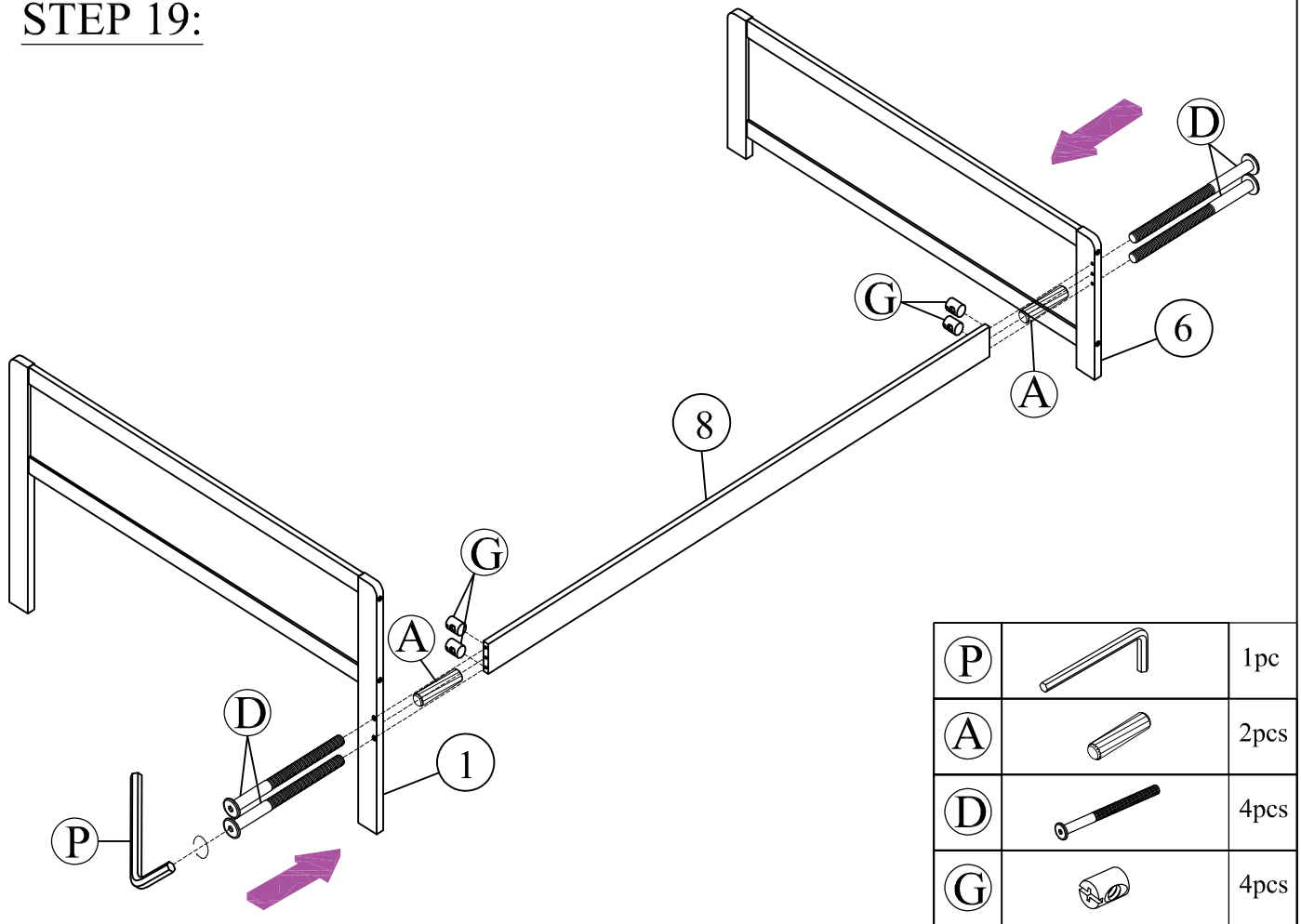


STEP 18:

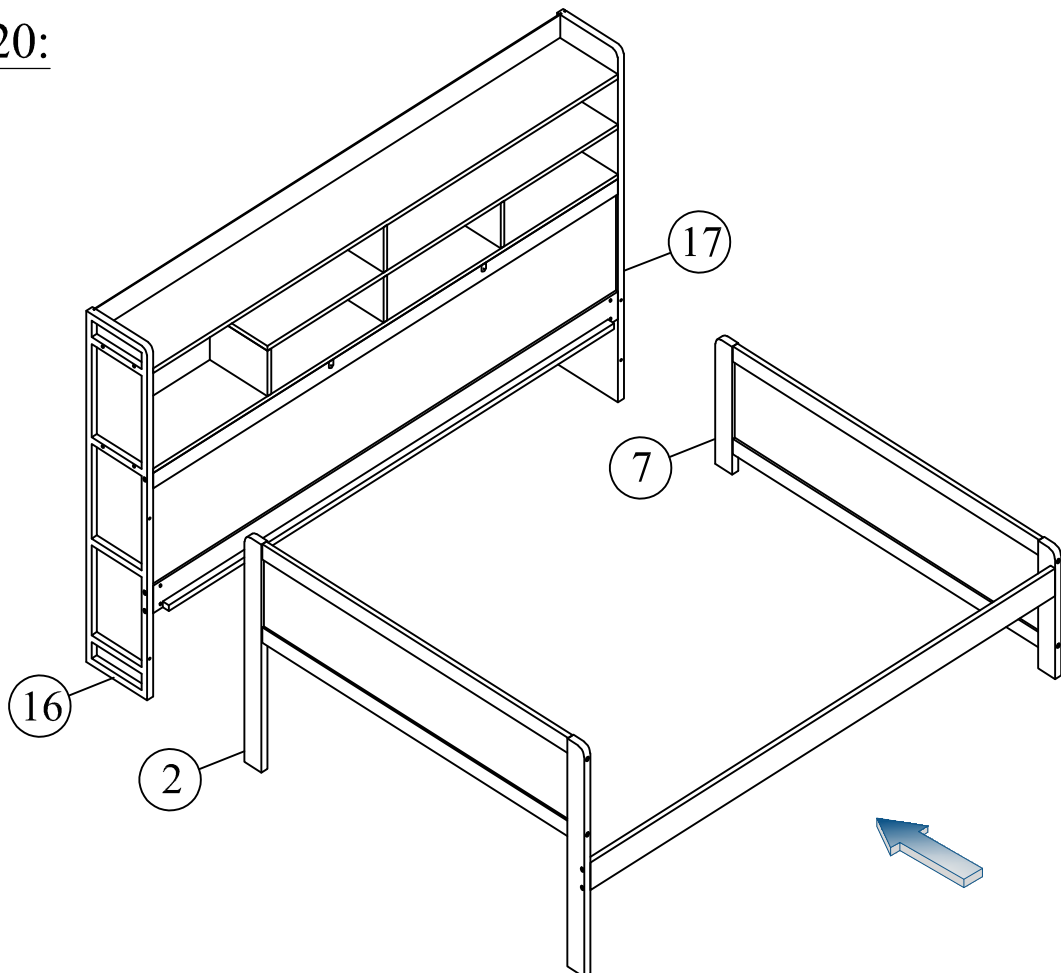


N		22pcs
---	---	-------

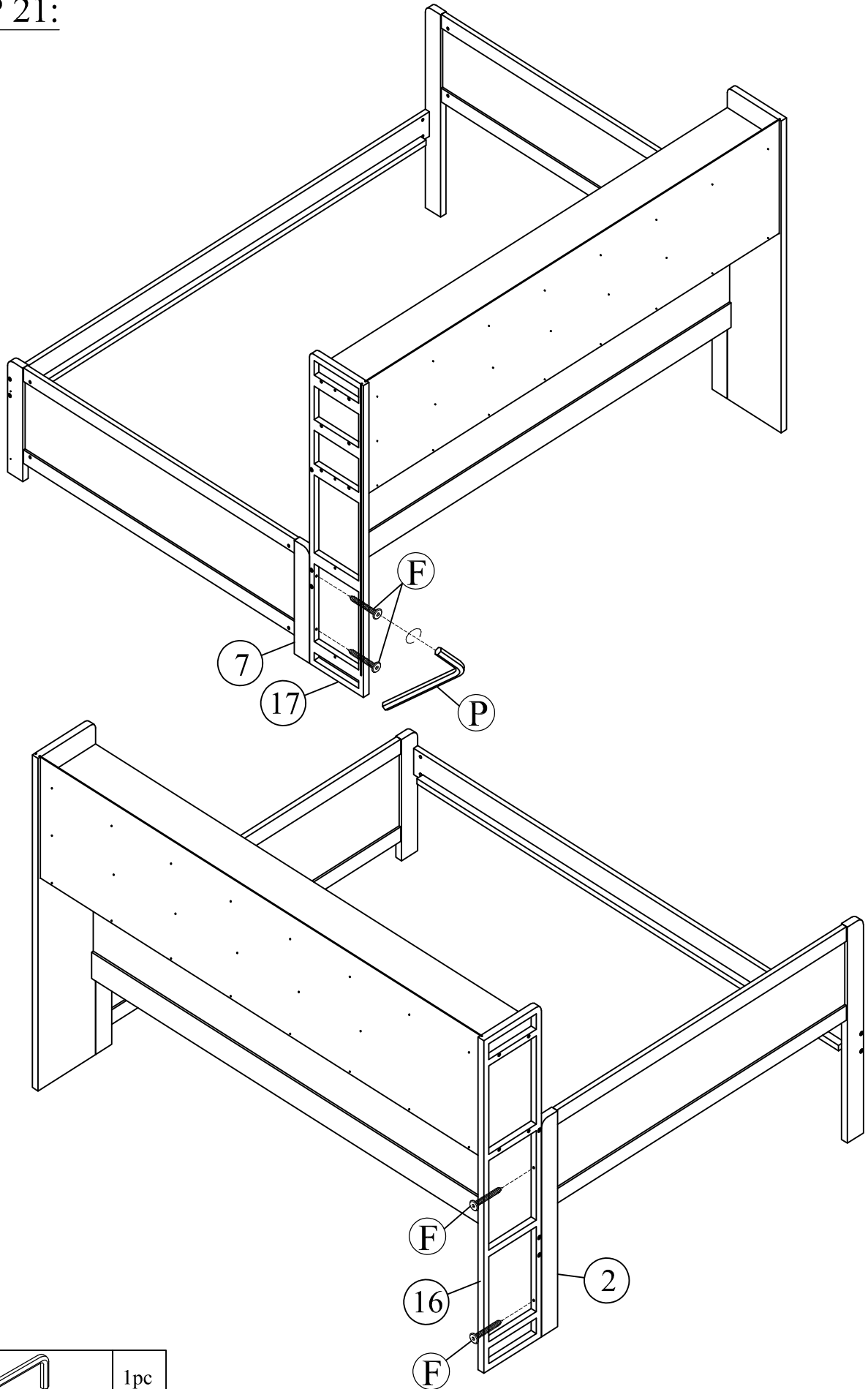
STEP 19:

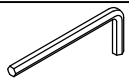
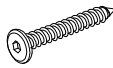


STEP 20:




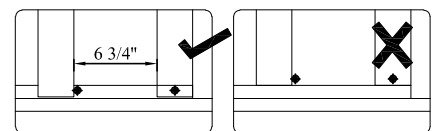
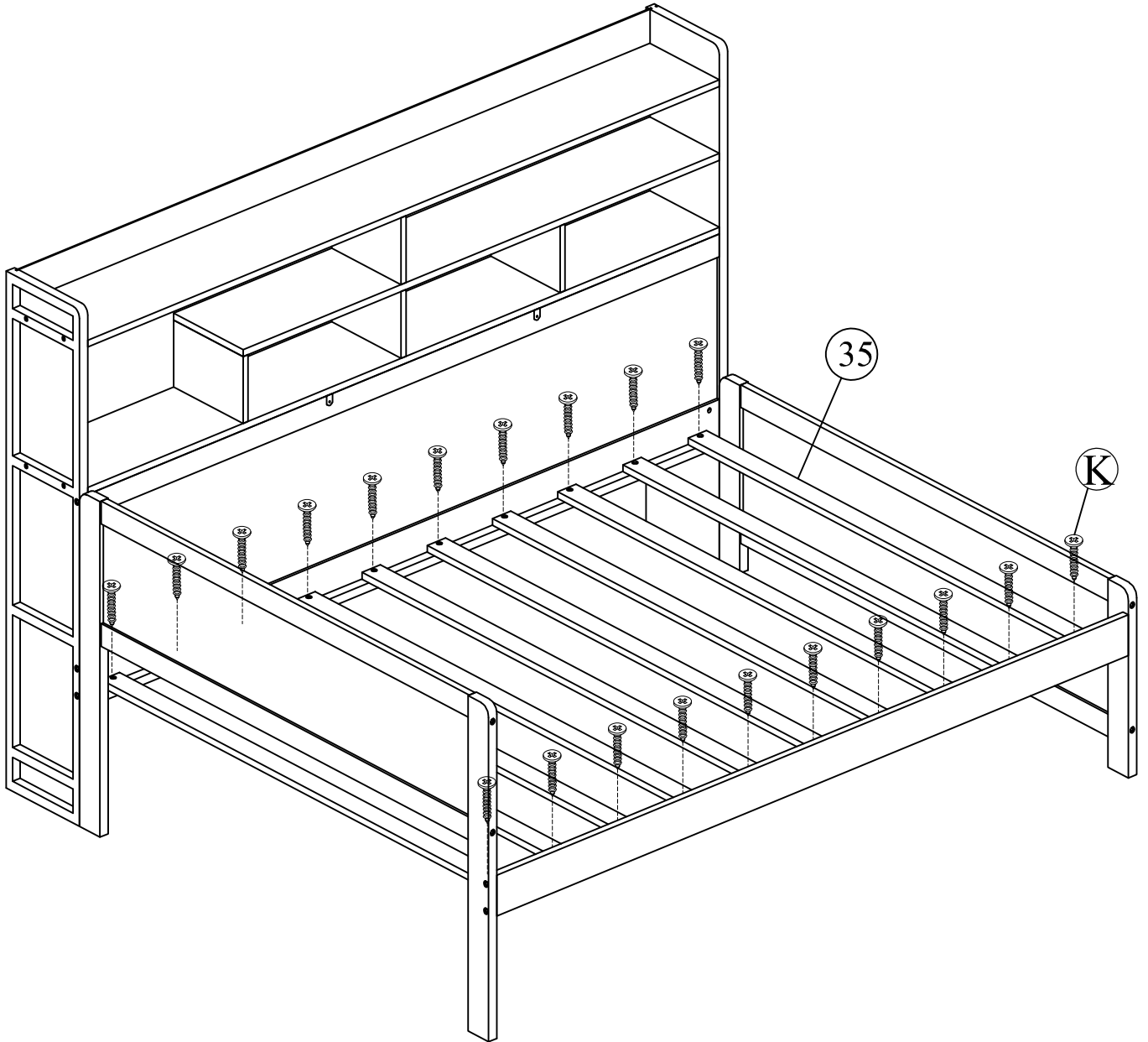
STEP 21:



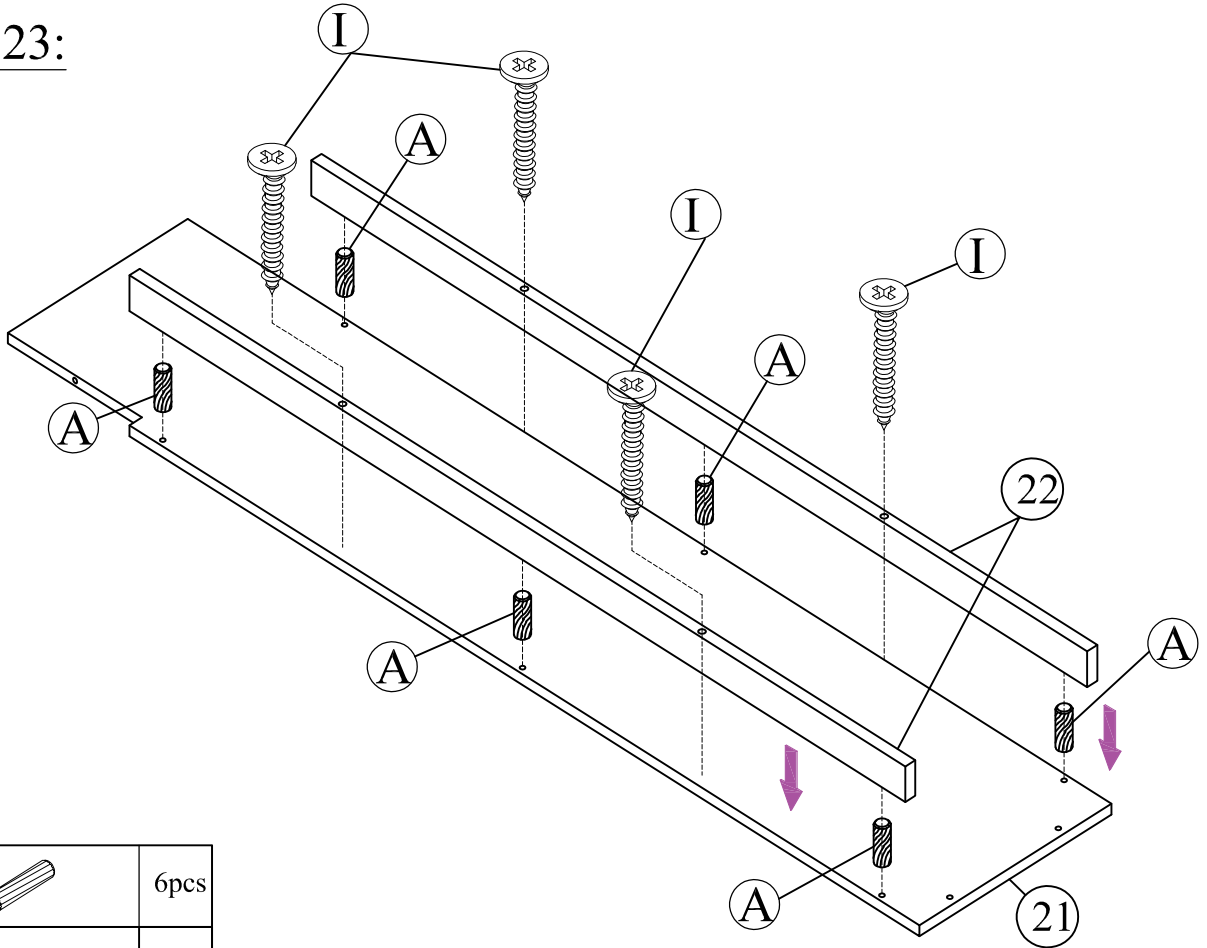
(P)		1pc
(F)		4pcs

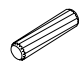

STEP 22:

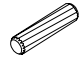
K		20pcs
---	---	-------



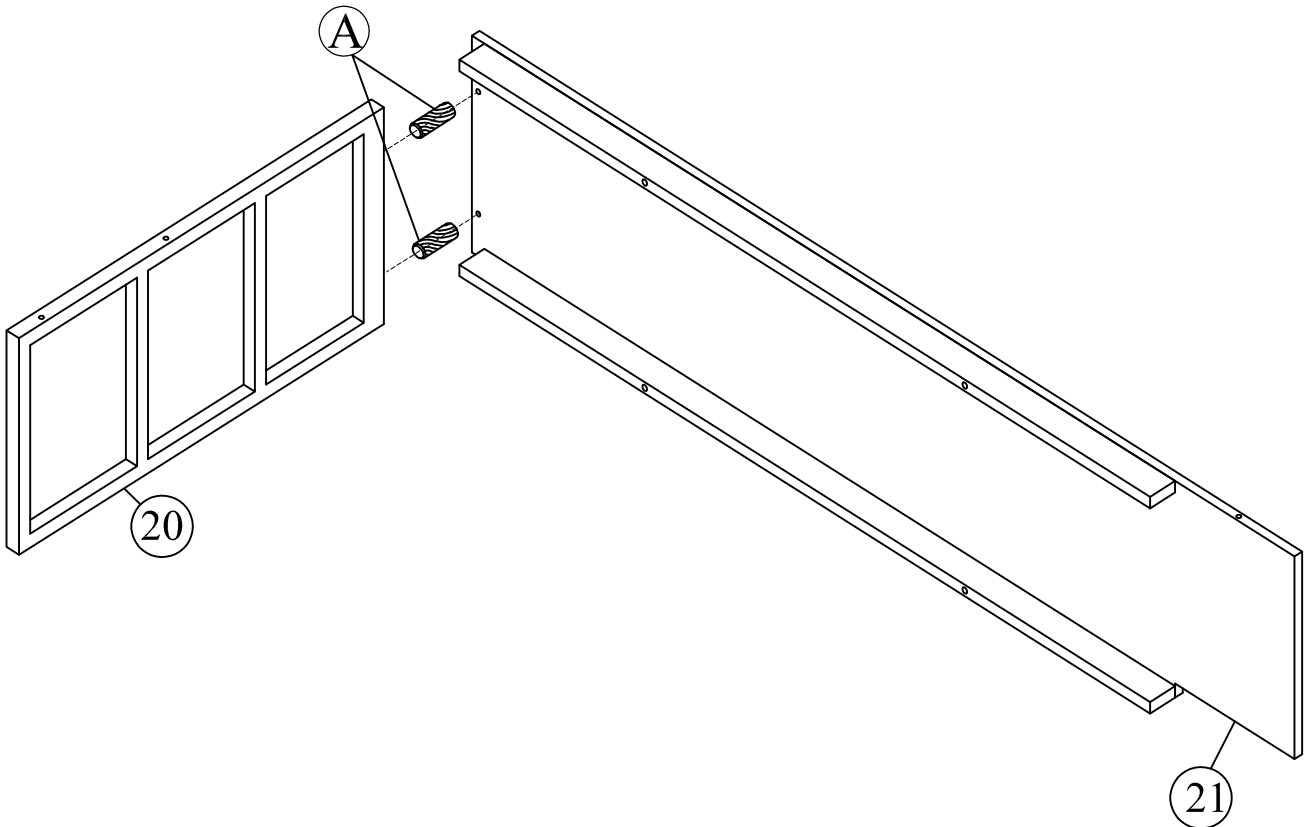
STEP 23:





A		6pcs
I		4pcs

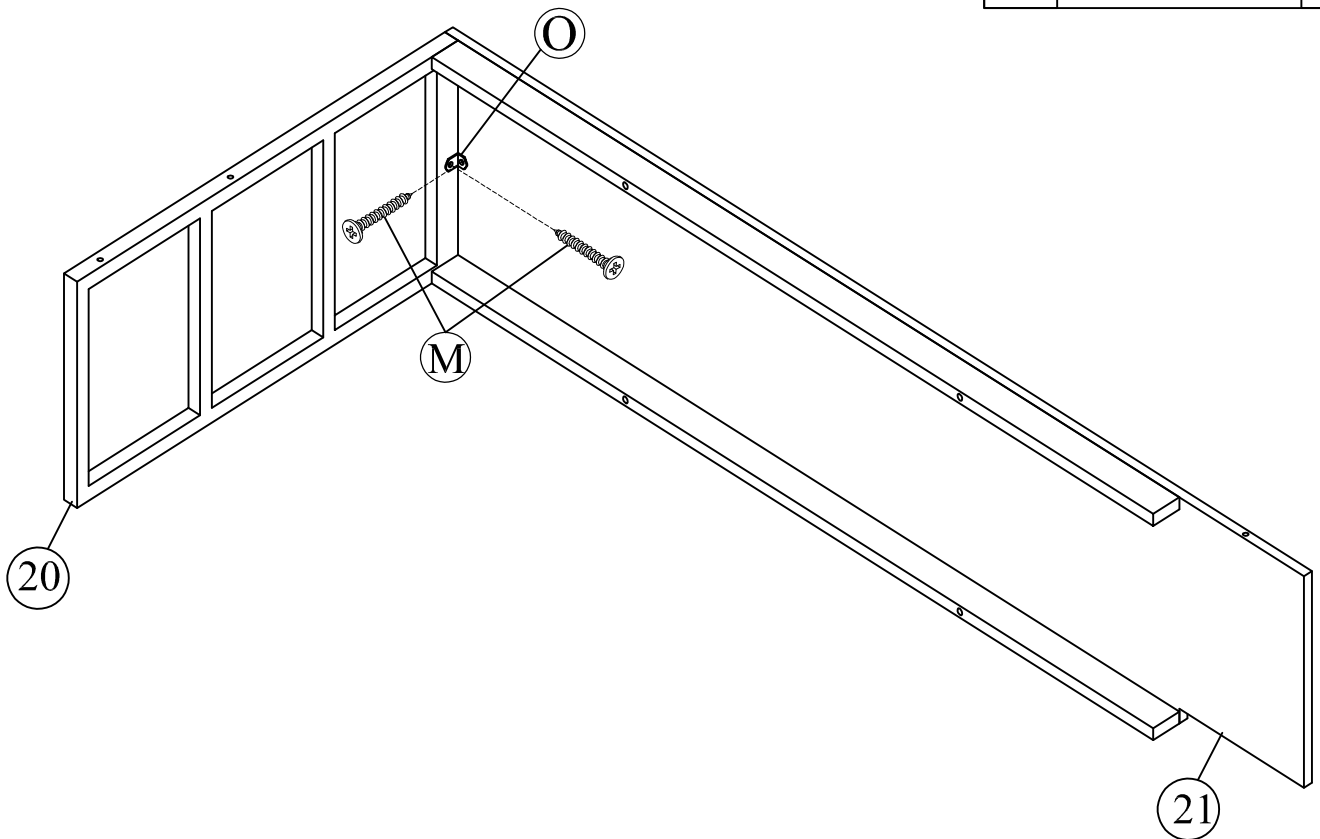
A		2pcs
---	---	------

STEP 24:

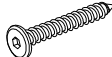


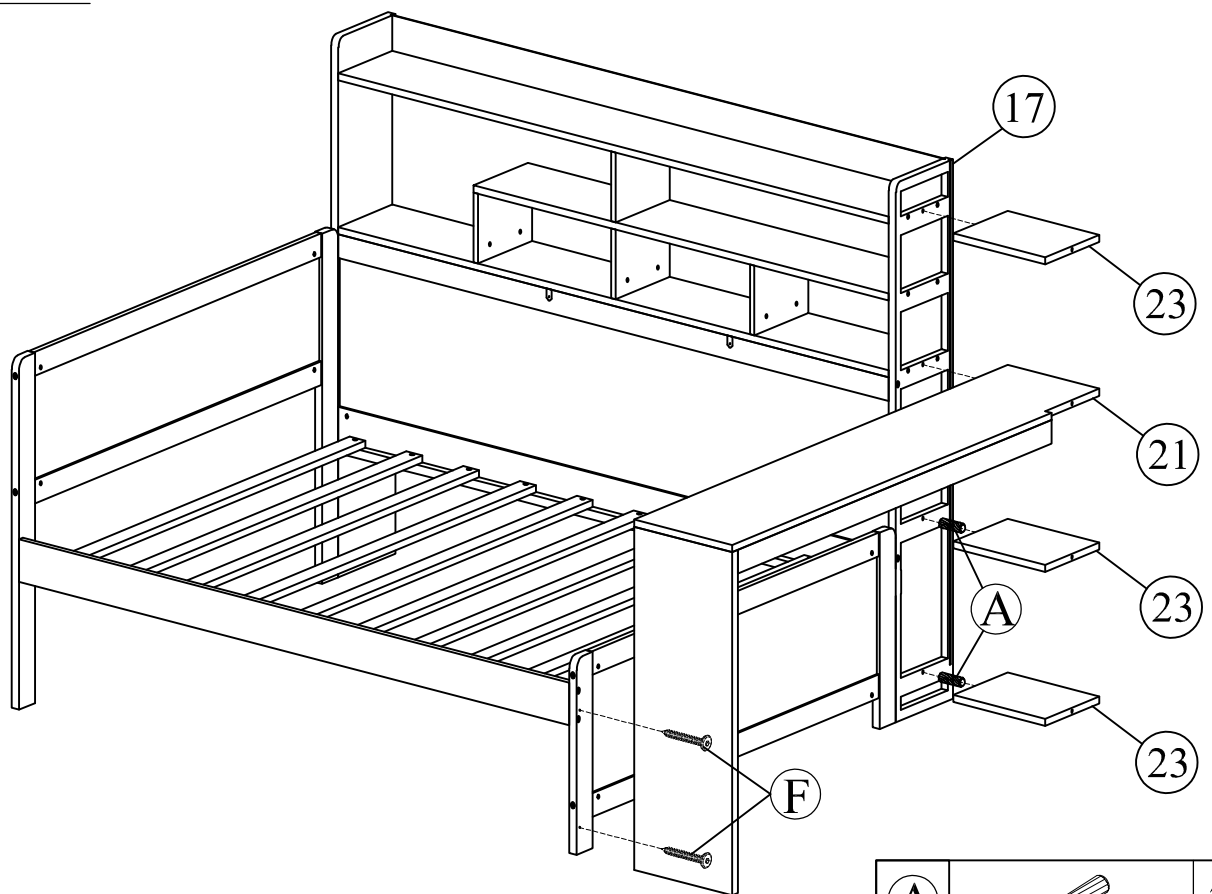
STEP 25:

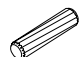
O		1pc
M		2pcs



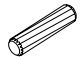
STEP 26:

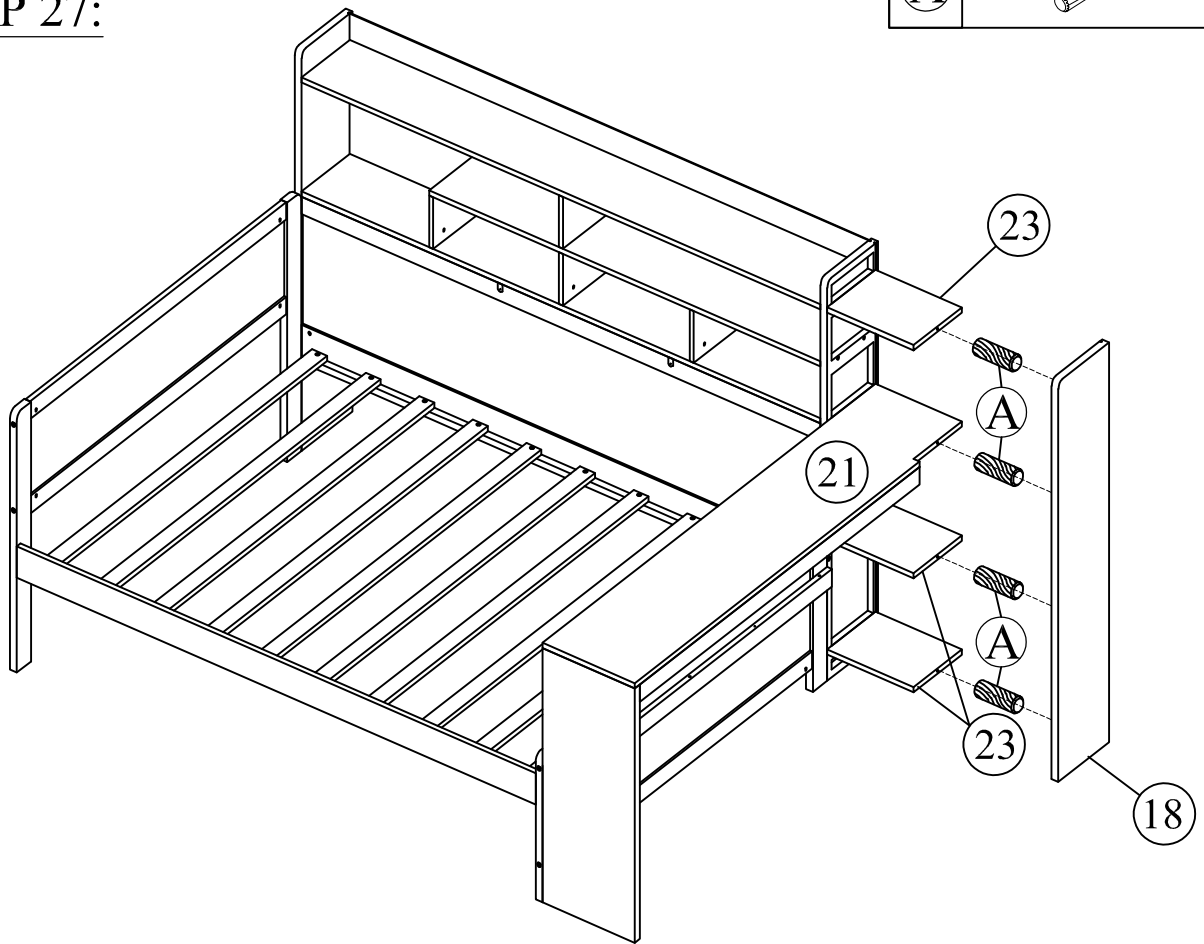
F		2pcs
---	---	------



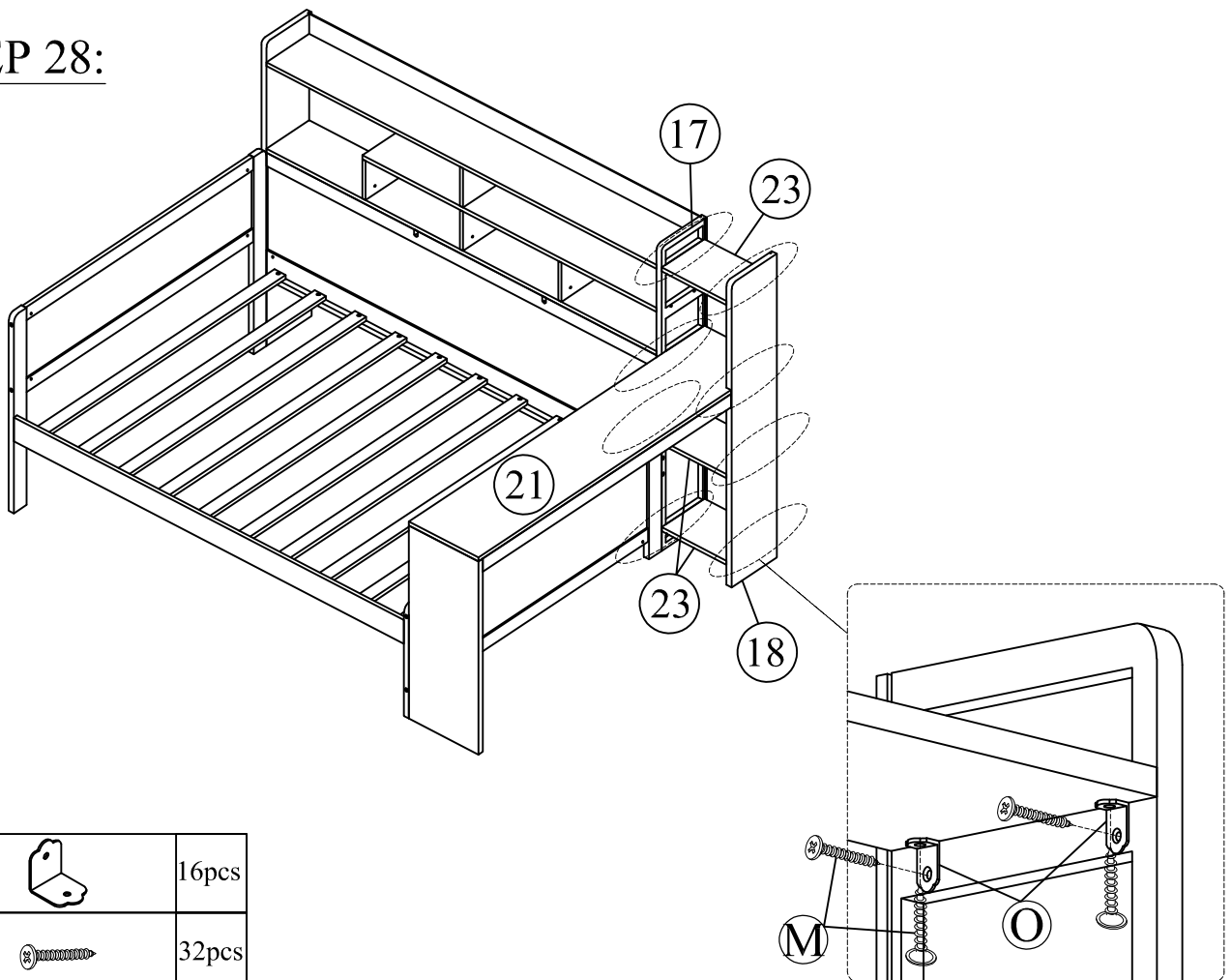
A		2pcs
---	---	------



STEP 27:

A		4pcs
---	---	------

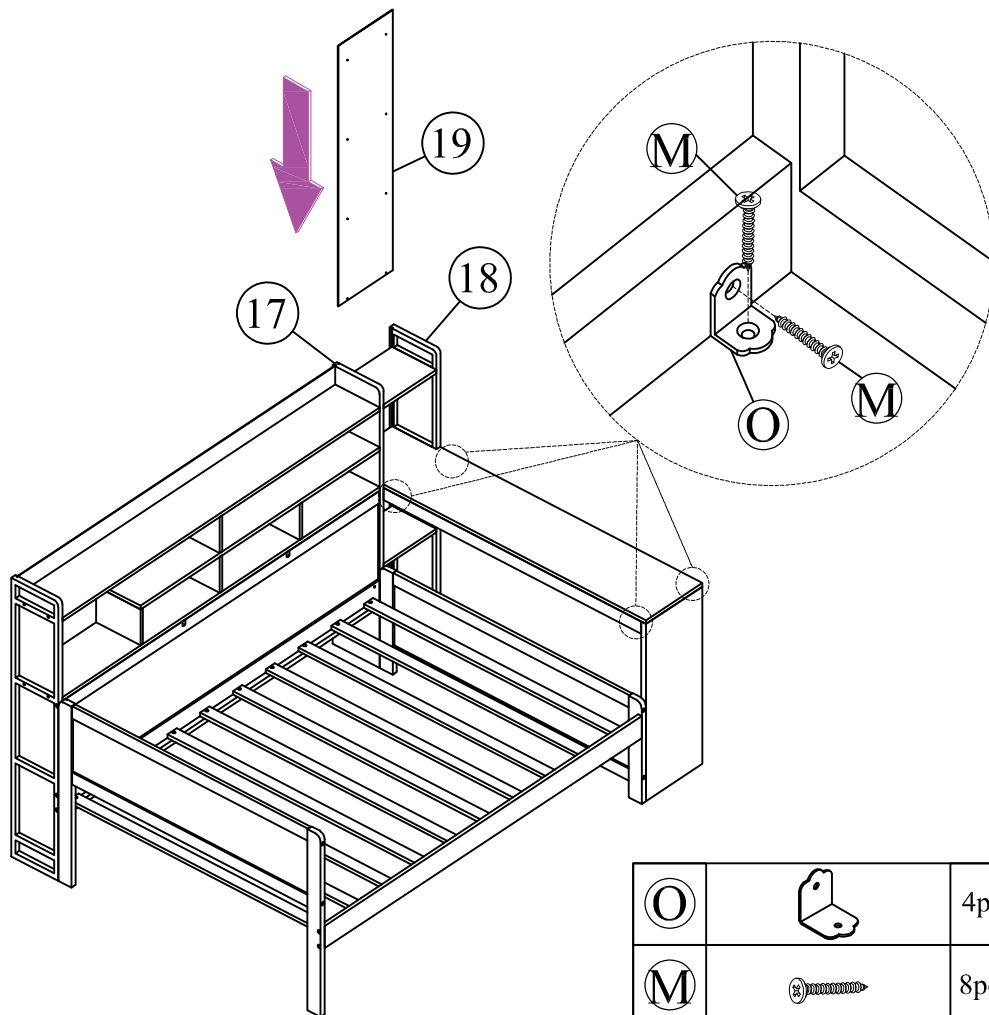



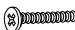
STEP 28:



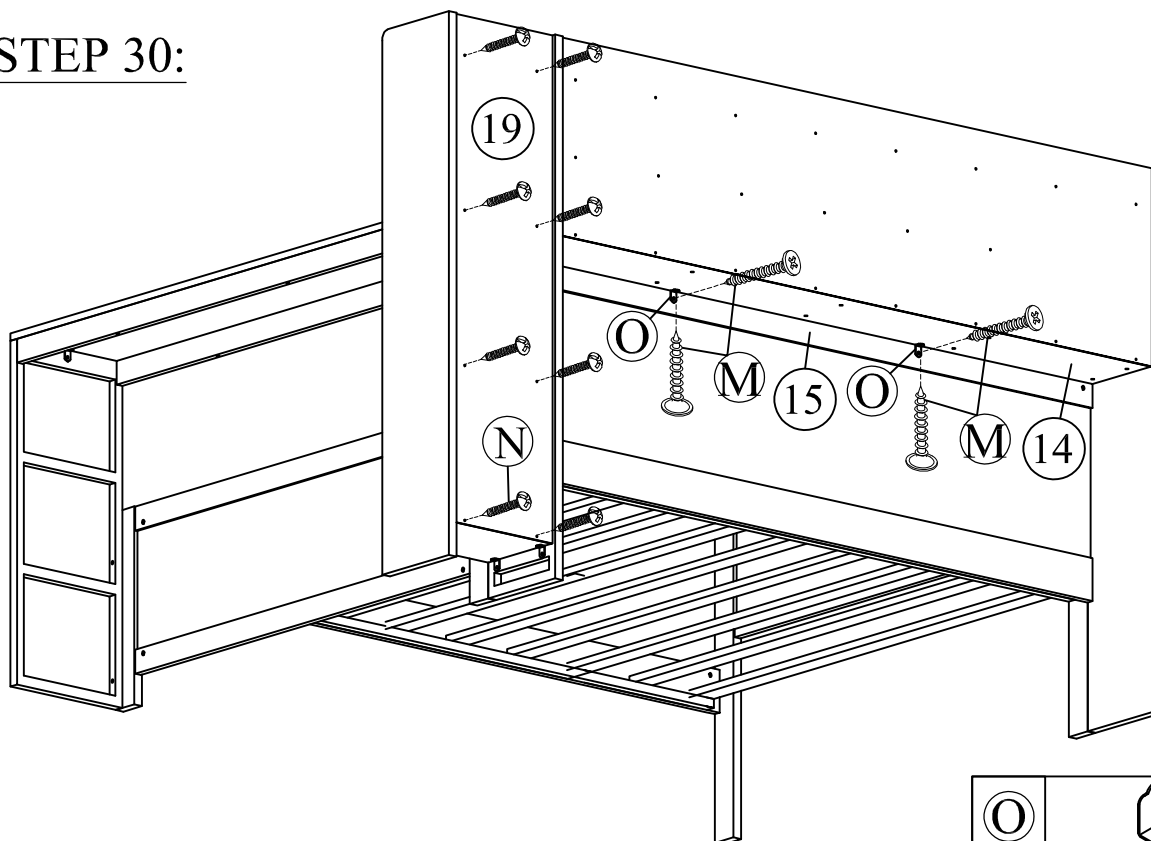
O		16pcs
M		32pcs


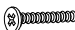
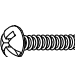
STEP 29:



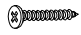
⓪		4pcs
Ⓜ		8pcs

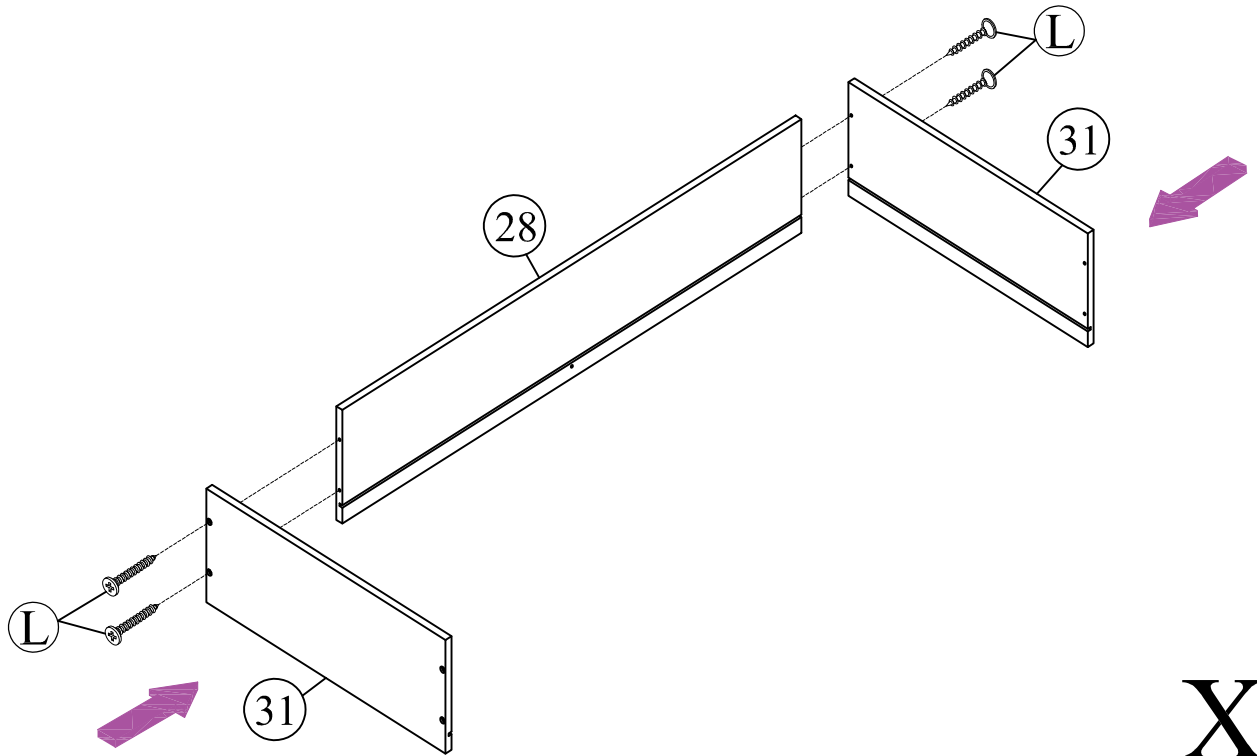
STEP 30:



⓪		2pcs
Ⓜ		4pcs
Ⓝ		8pcs

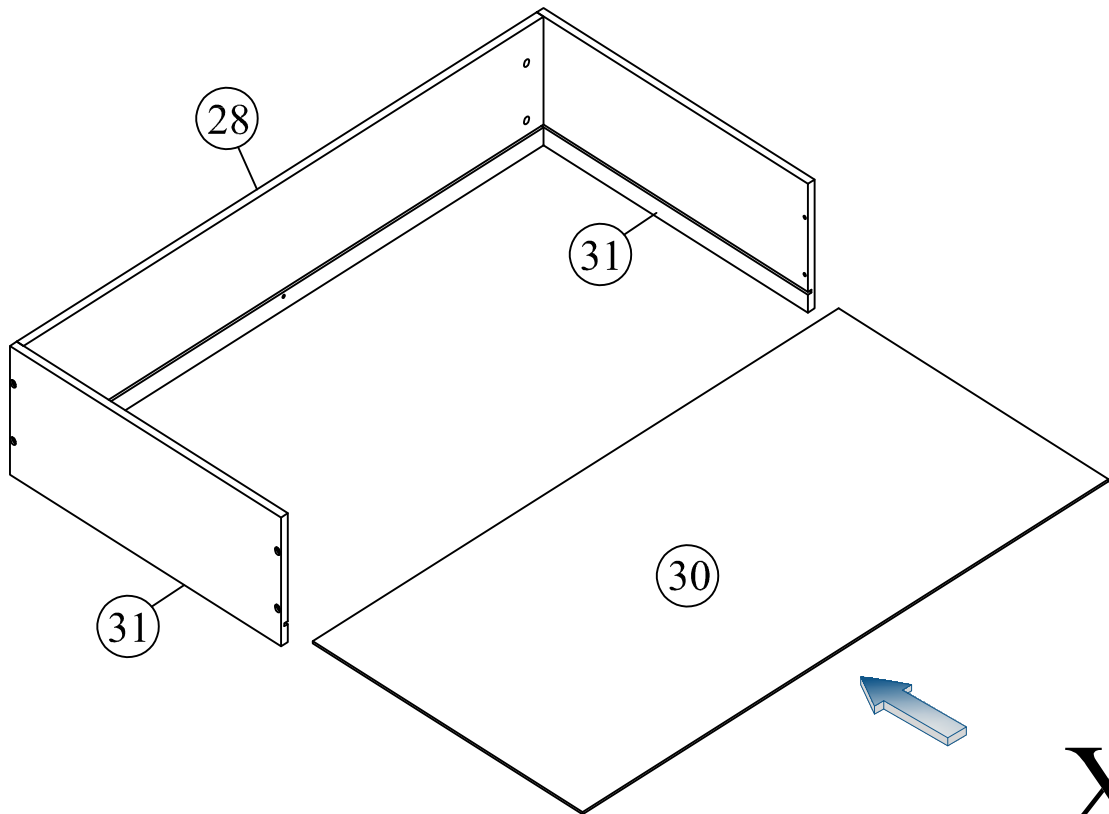
STEP 31:

(L)		8pcs
-----	---	------



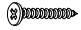
X2

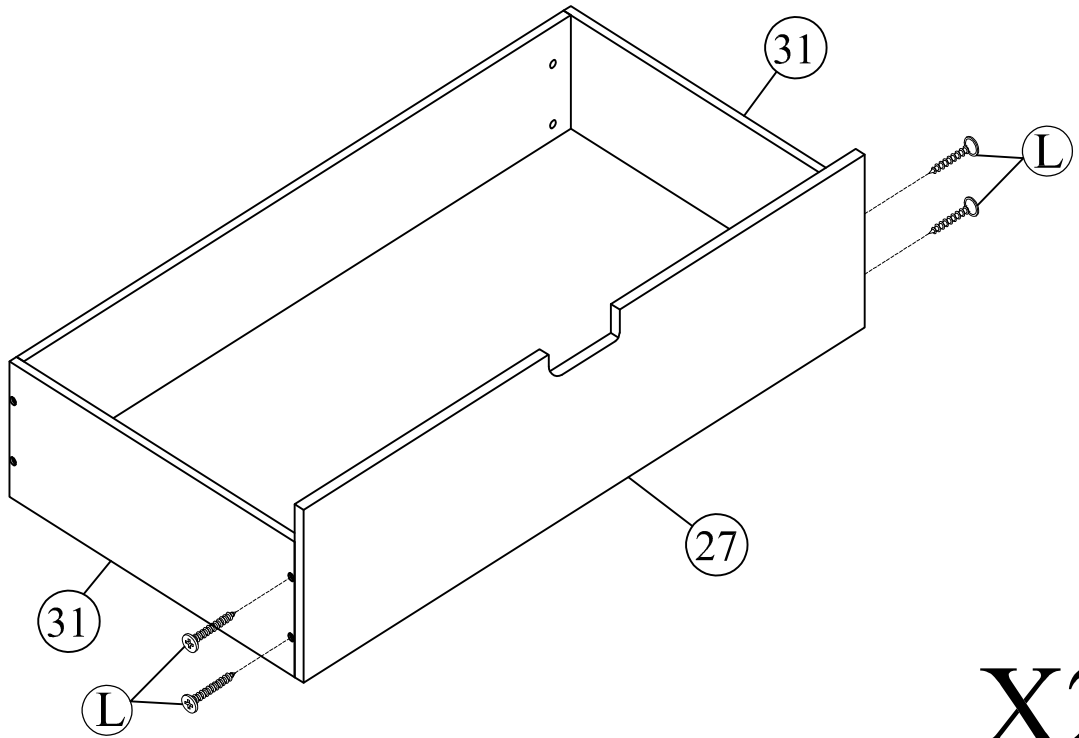
STEP 32:



X2

STEP 33:

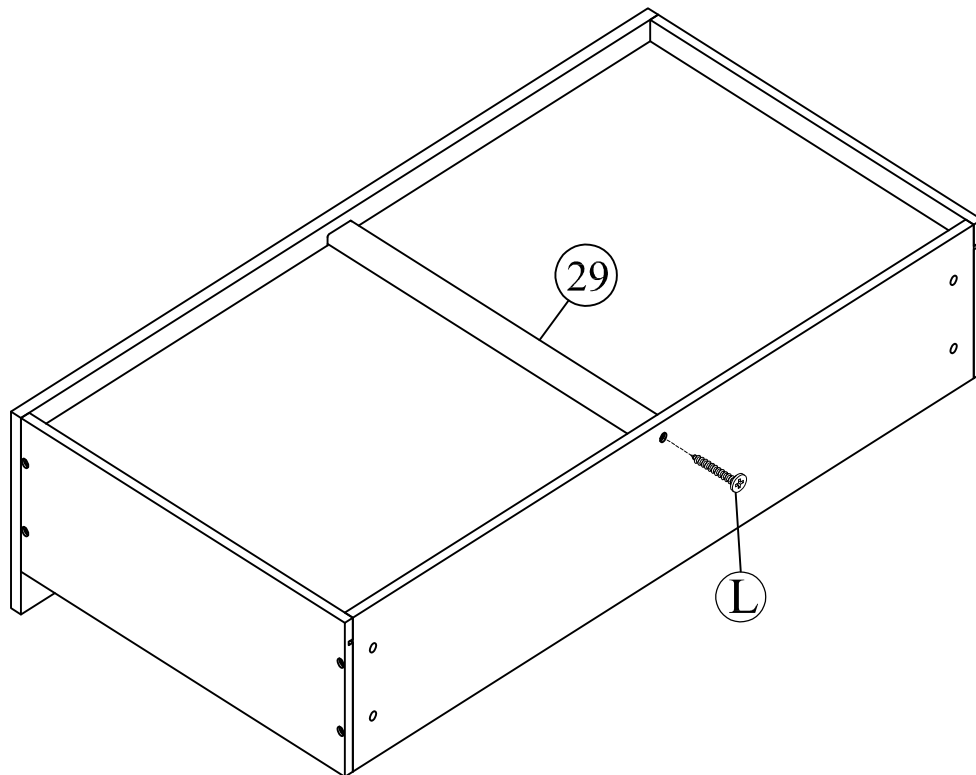
L		8pcs
----------	---	------



X2


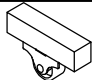
STEP 34:

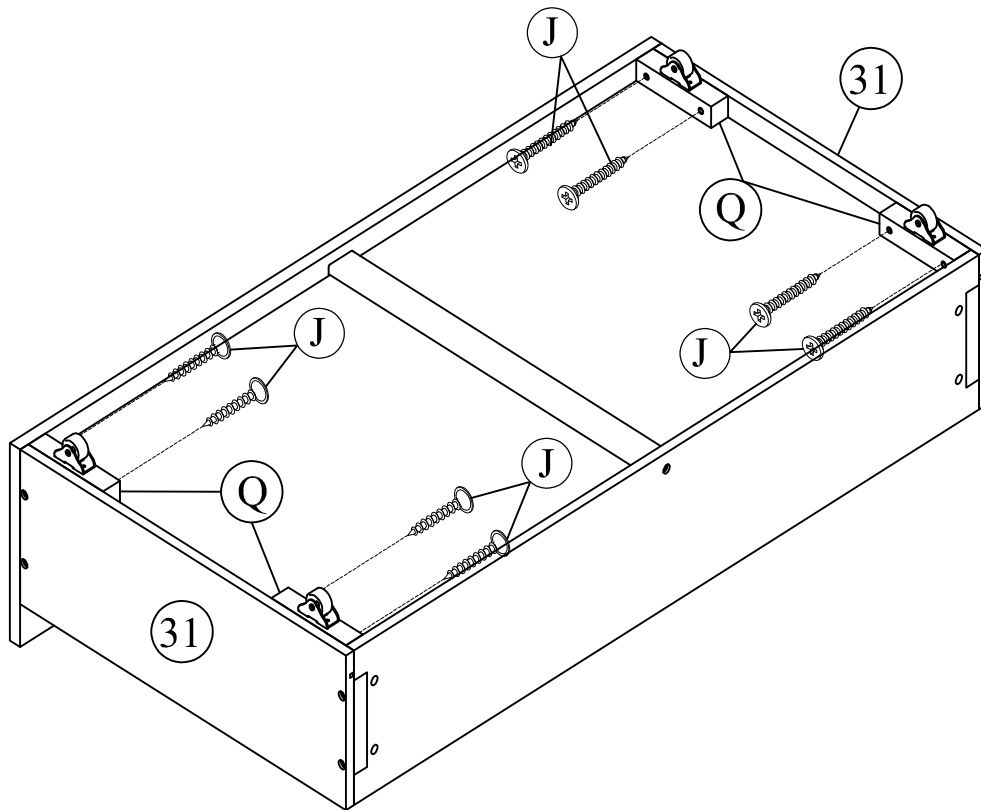
L		2pcs
----------	---	------



X2

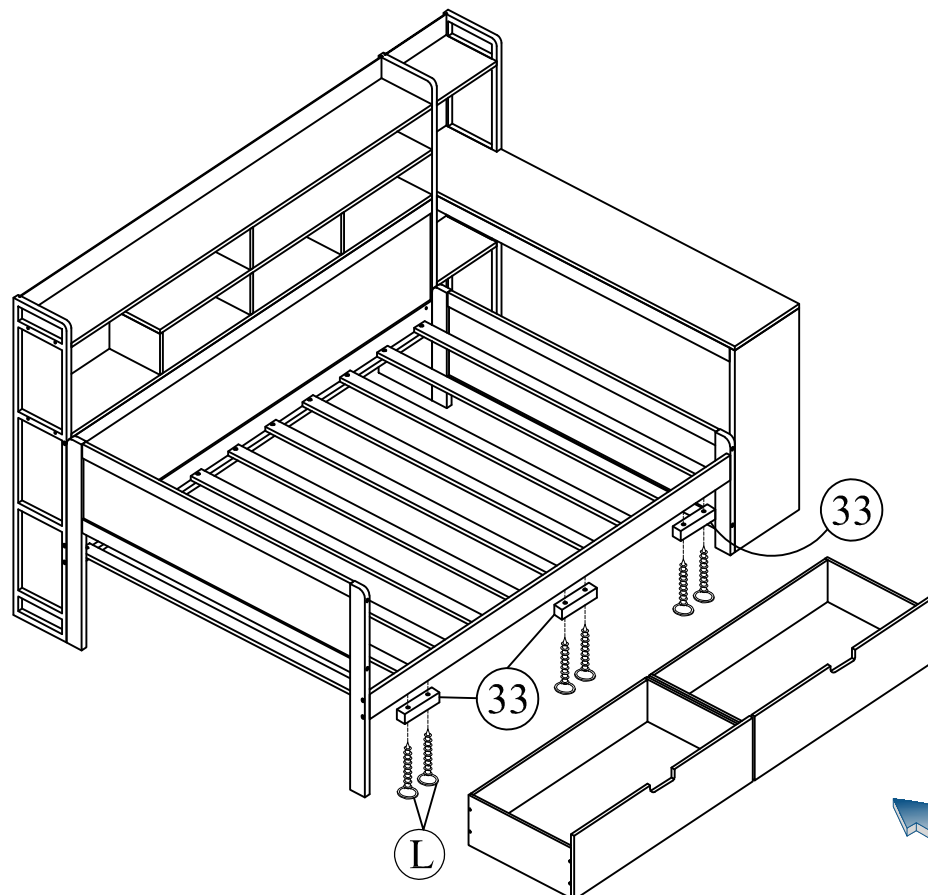
STEP 35:


J		16pcs
Q		8pcs



X2

STEP 36:



L		6pcs
---	---	------

FINAL:

