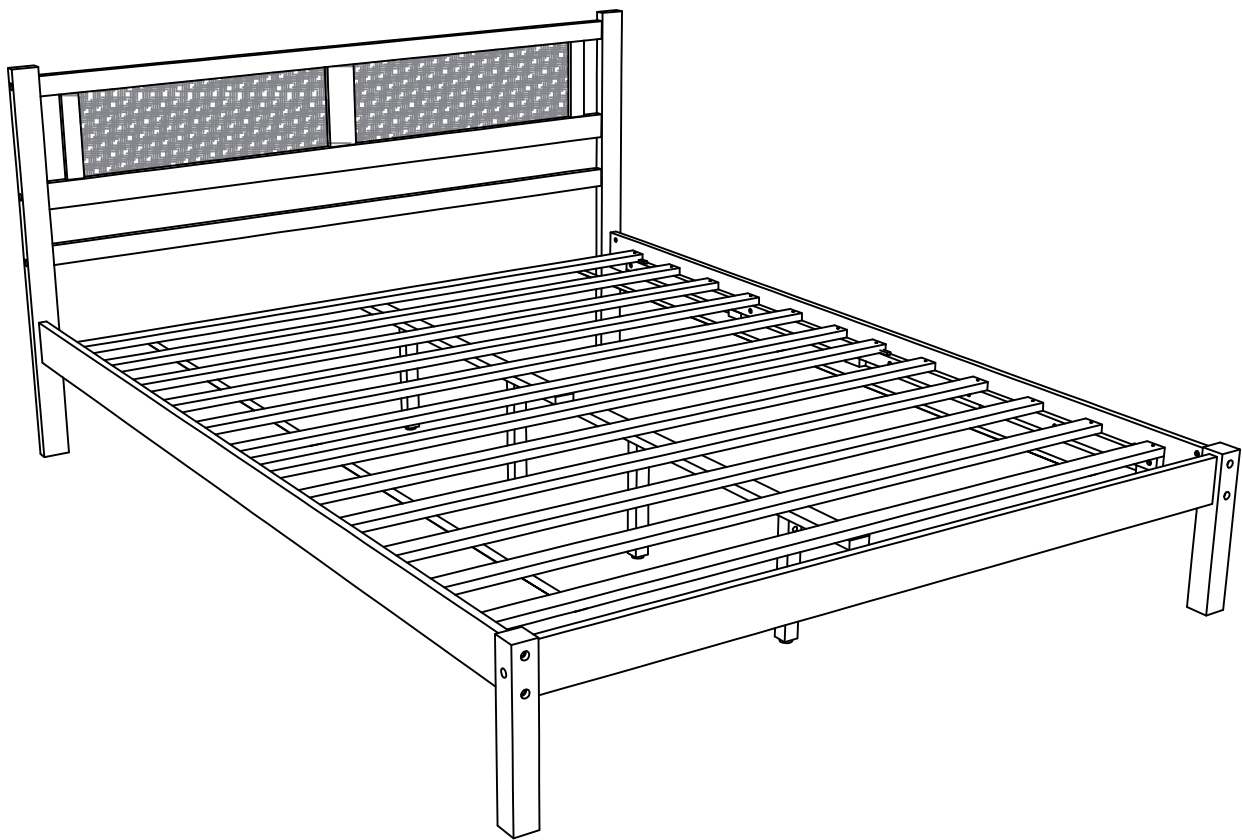
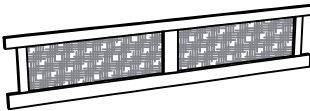

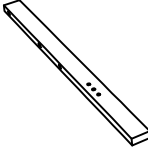
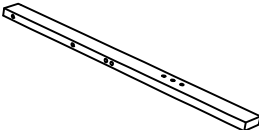


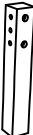
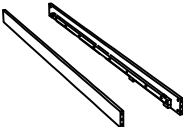
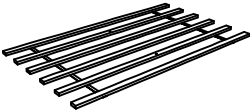
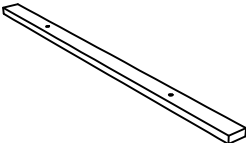



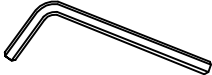







ASSEMBLY INSTRUCTIONS

MODEL : WF318536

FULL BED



NO	PART LIST	QTY
1	Headboard Frame 	1
2	Headboard Center Rail 	1
3	Headboard Leg L 	1
4	Headboard Leg R 	1
5	Footboard Panel 	1
6	Footboard Leg L 	1
7	Footboard Leg R 	1
8	Side Rail 	2
9	Bed Slats 	2 Sets
10	Bed Center Slats 	2
11	Bed Slats Support 	4

NO	HARDWARE LIST	QTY
A	Allen Key M4 x 110mm 	1
B	JCBC Bolt M6 x 80mm 	20
C	Spring Washer 1/4" 	16
D	Flat Washer 1/4" D x 13mm 	16
E	Flat Head CB Screw M4 x 32mm 	24
F	Barrel Nut M6 x 15mm 	20
G	Wood Dowel 10mm x 30mm 	10
H	Sticker Round Shape White 	12

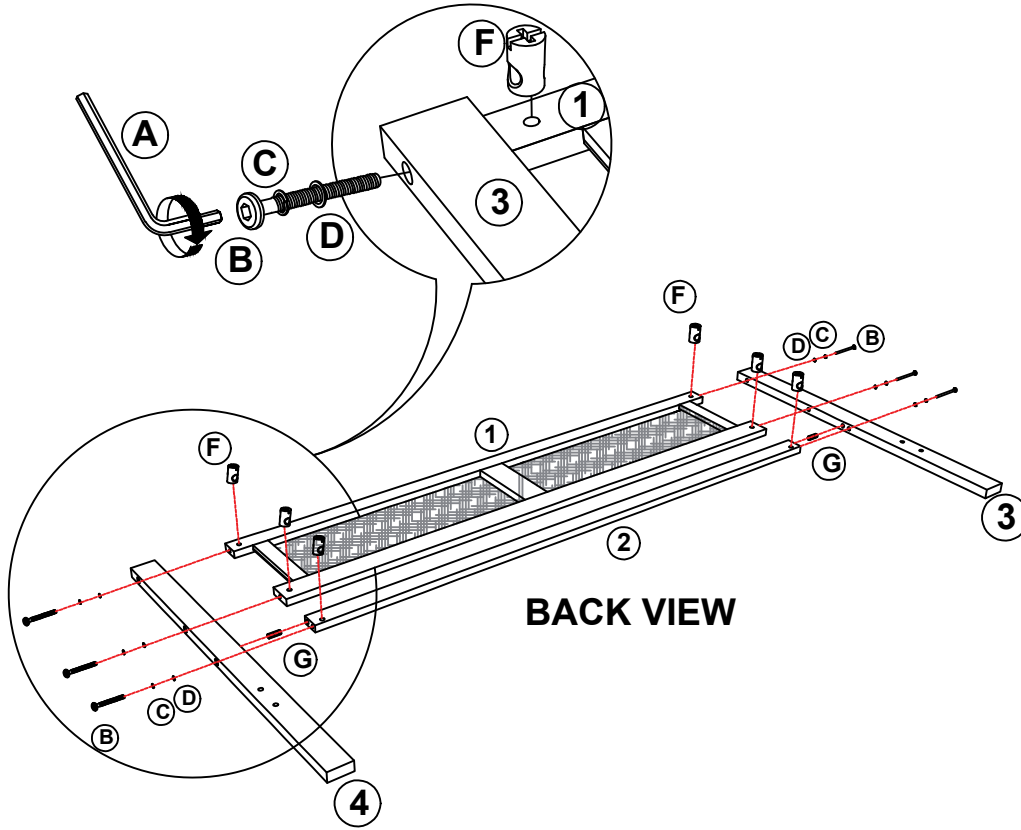
Read this instruction carefully. Remove all wrapping material, staples and straps from the carton. See hardware and furniture part list for guidance. Be sure you have all wooden furniture part on a clean and a flat surface, such as carpet or rug, to prevent from being scratched.

CAUTION :

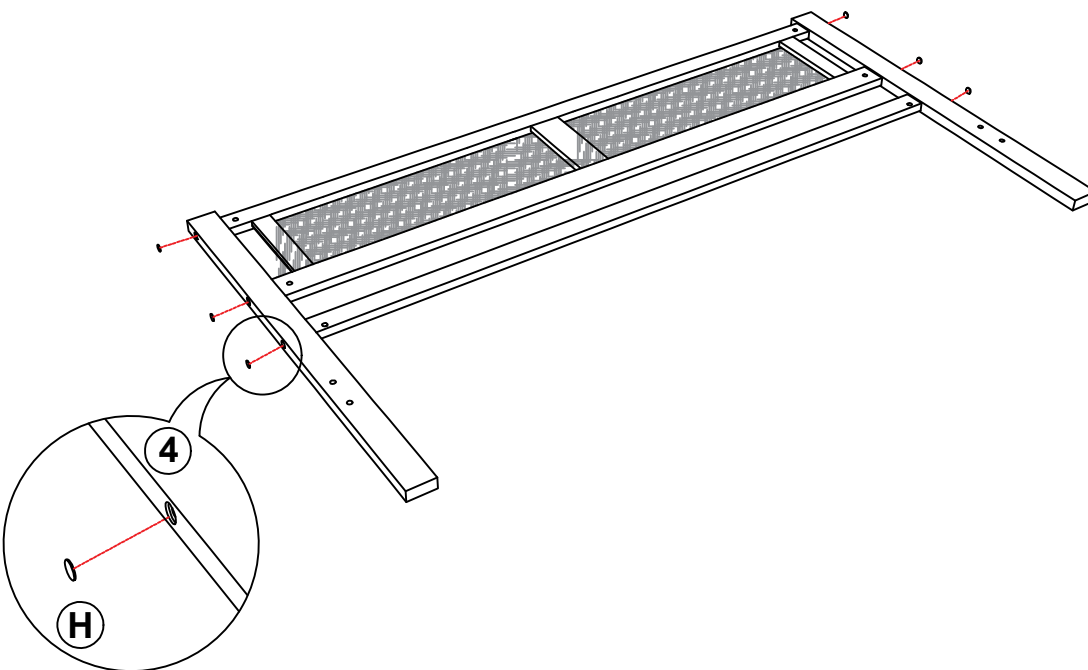
1. Do not Full Tighten the nut or screw until all ready to assemble.
2. Do not Over Tighten the nut or screw to avoid causing damages to the thread.
3. Keep all hardware part of reach of children.

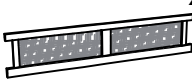



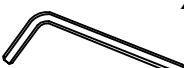




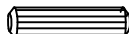



STEP 1

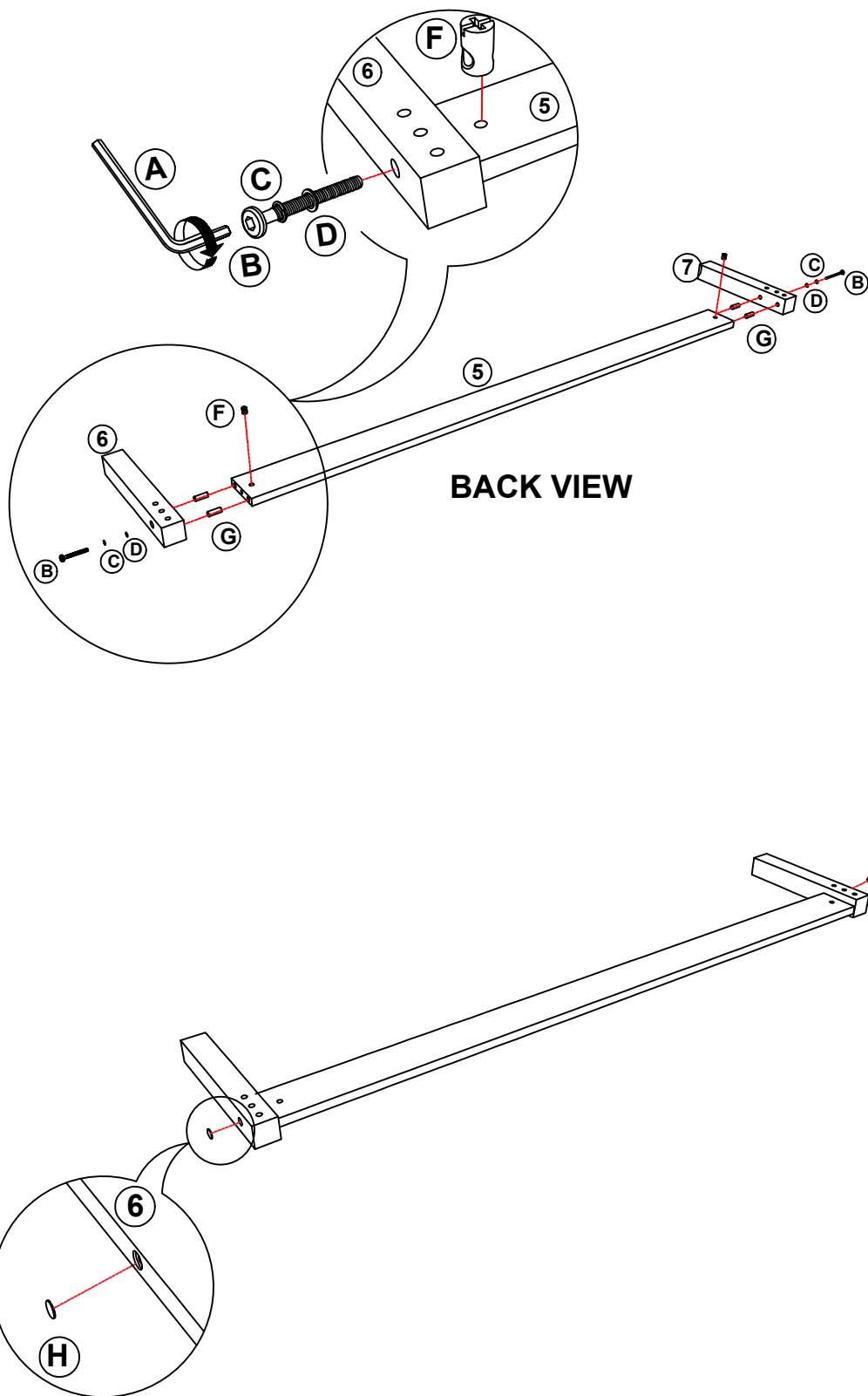


BACK VIEW



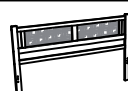

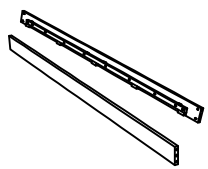
①		X 1
②		X 1
③		X 1
④		X 1
A		X 1
B		X 6
C		X 6
D		X 6
F		X 6
G		X 2
H		X 6

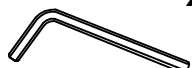






STEP 2

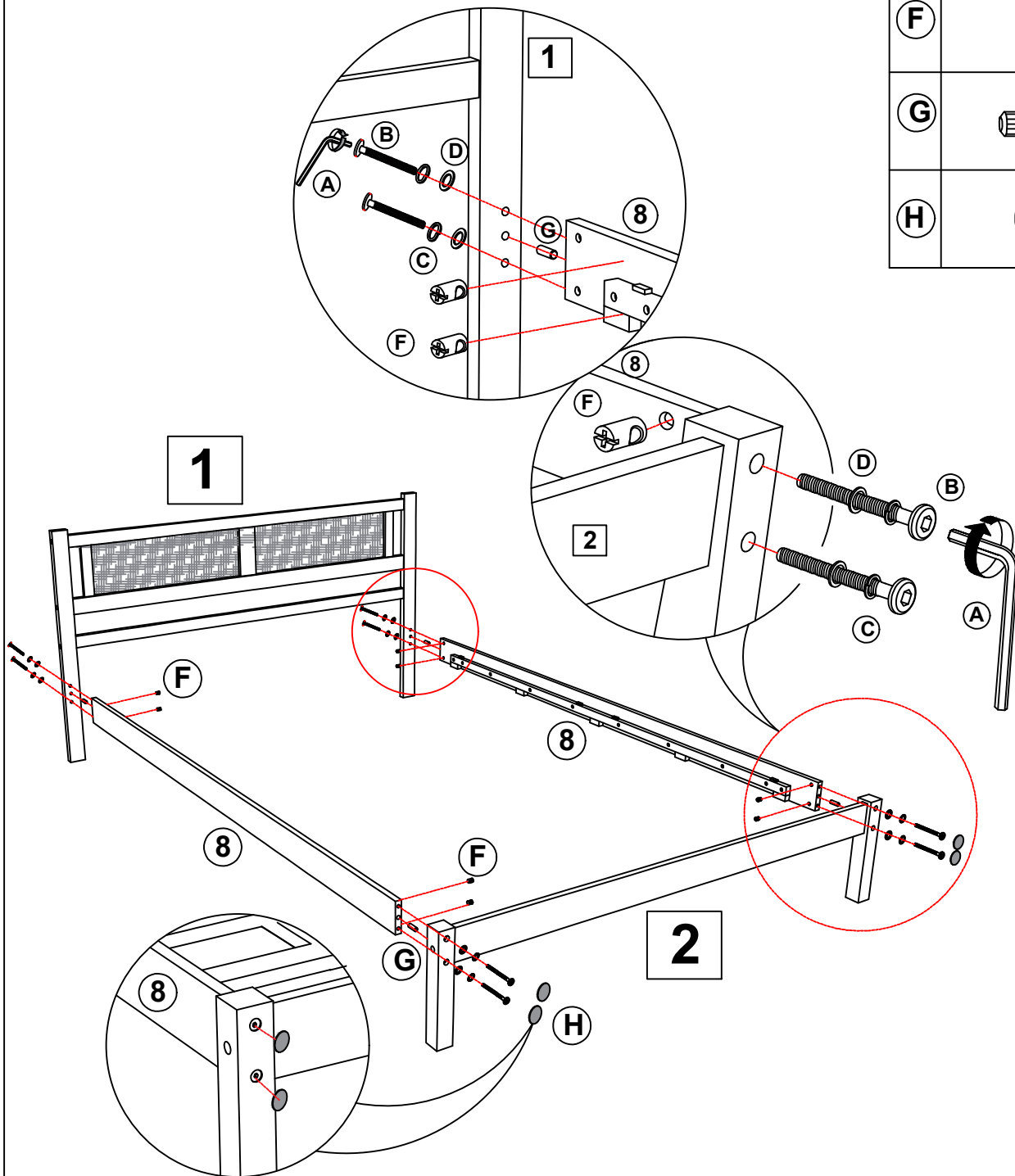


5		X 1
6		X 1
7		X 1
A		X 1
B		X 2
C		X 2
D		X 2
F		X 2
G		X 4
H		X 2

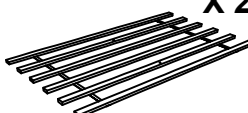
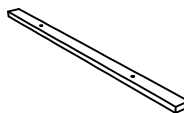

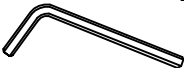


STEP 3

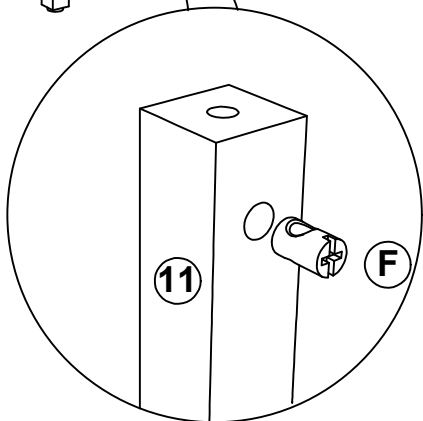
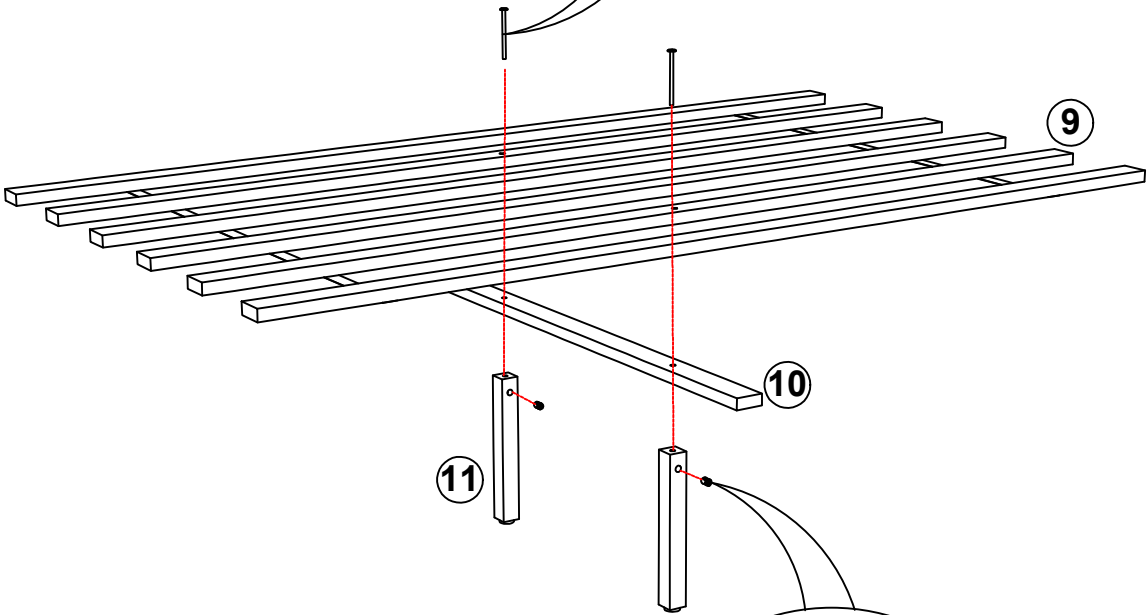
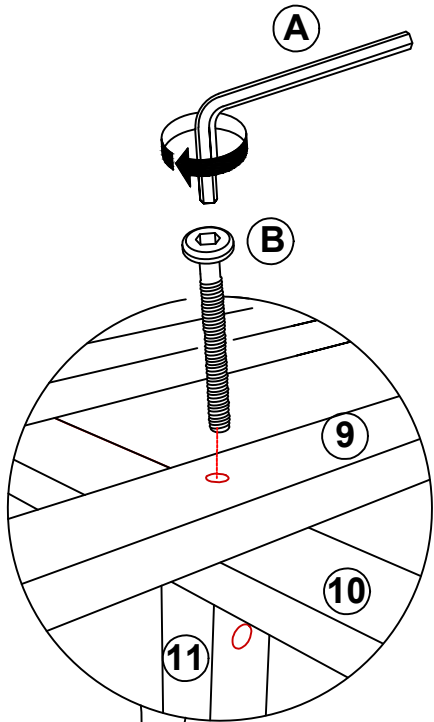
1		X 1
2		X 1
8		X 2

A		X 1
B		X 8
C		X 8
D		X 8
F		X 8
G		X 4
H		X 4



STEP 4

9	 X 2
10	 X 2
11	 X 4
A	 X 1
B	 X 4
F	 X 4



STEP 5

