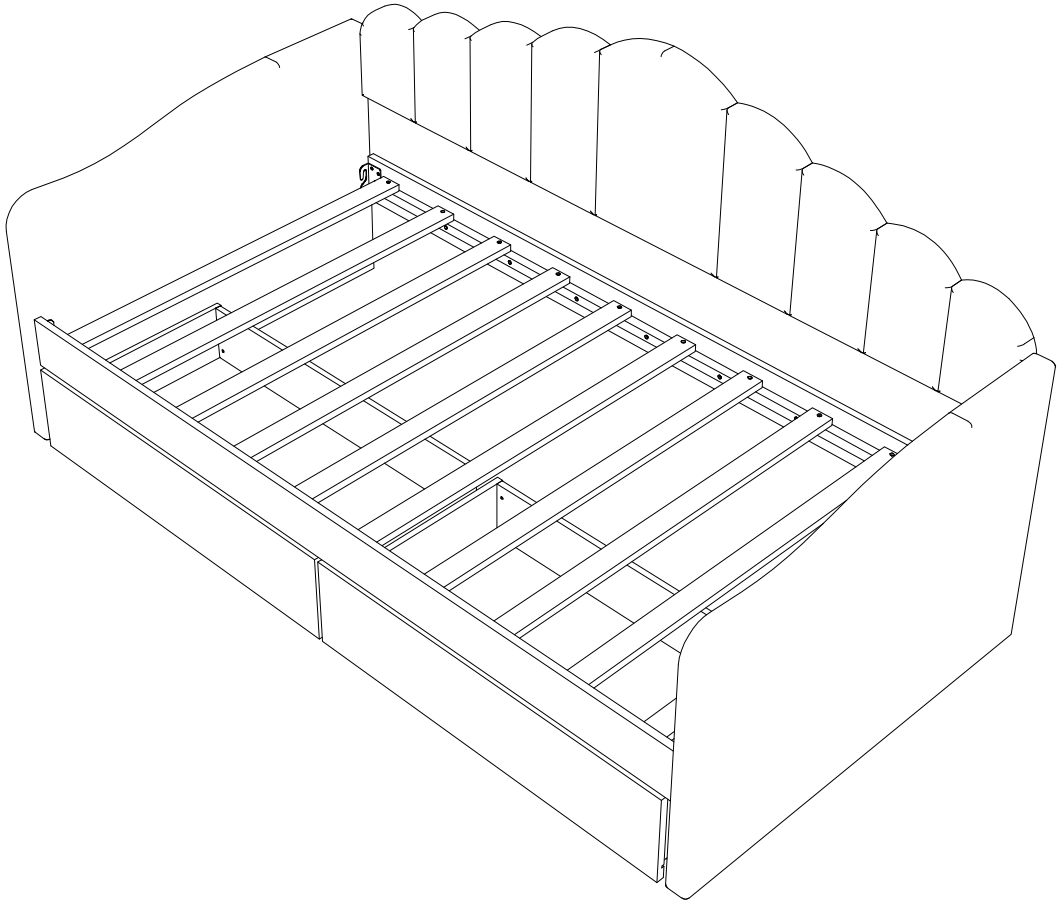
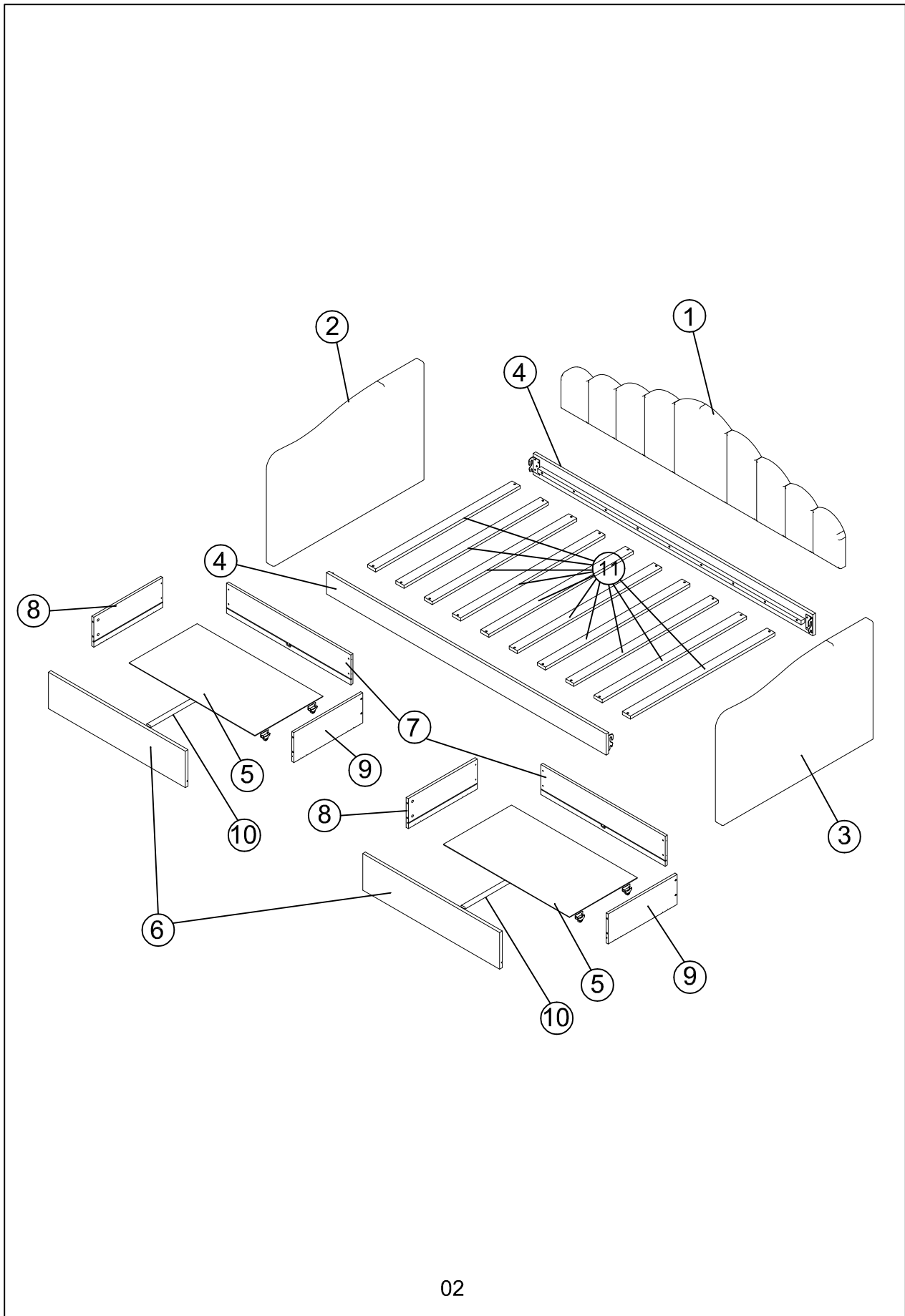


WF530337
WF530338



ASSEMBLY INSTRUCTIONS

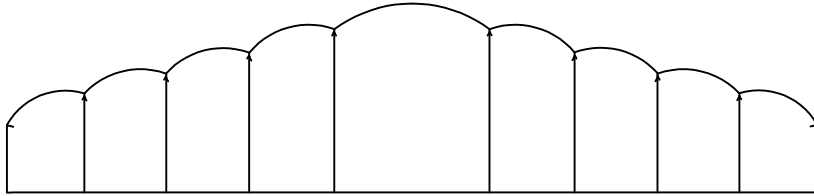


PARTS

check that you've received
all parts listed below

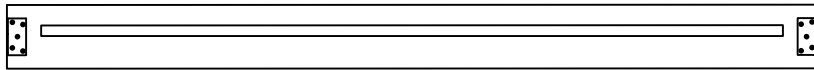
BOX:1/2
WF530337

1



(1 pc)

4



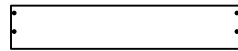
(2 pcs)

6



Front Drawers
(2 pcs)

7



Back Drawer
(2 pcs)

8



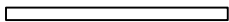
Left Drawer
(2 pcs)

9



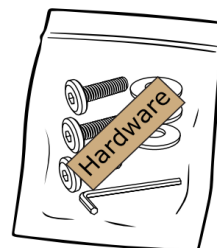
Right Drawer
(2 pcs)

10



Support Drawer
(2 pcs)

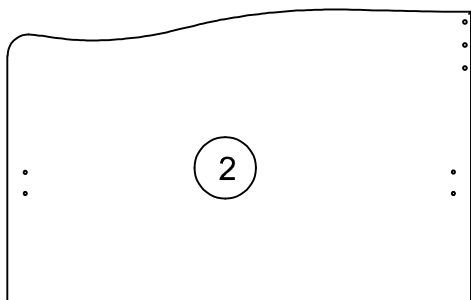
HARDWARE



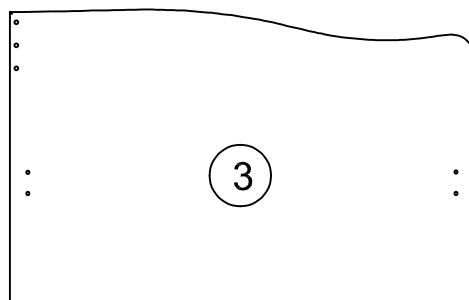
PARTS

check that you've received
all parts listed below

BOX:2/2
WF530338

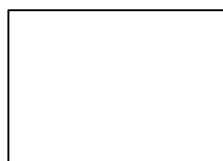


(1 pc)



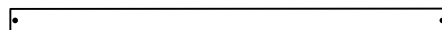
(1 pc)

5



Bottom Drawer
(2 pcs)

11



Slat
(10 pcs)

HARDWARE

check that you've received
all parts listed below

Hardware List

A



Ø 5/16" x 38 mm
8 pcs

B



Ø19 x 1.5 mm
12 pcs

C



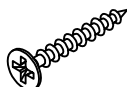
Ø13 x 1 mm
12 pcs

D



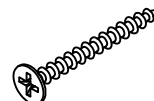
80 x 23 x 4 mm
1 pc

E



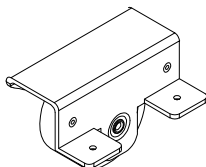
Ø4 x 15 mm
36 pcs

F



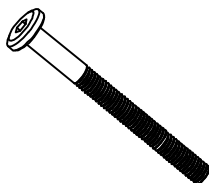
Ø4 x 30 mm
30 pcs

G



50 x 45 x 25 mm
8 pcs

H



Ø 5/16" x 110 mm
4 pcs

M



Steel Pat 50x35x38 mm
2 pcs

K







Cam lock Ø15x13 mm
8 pcs

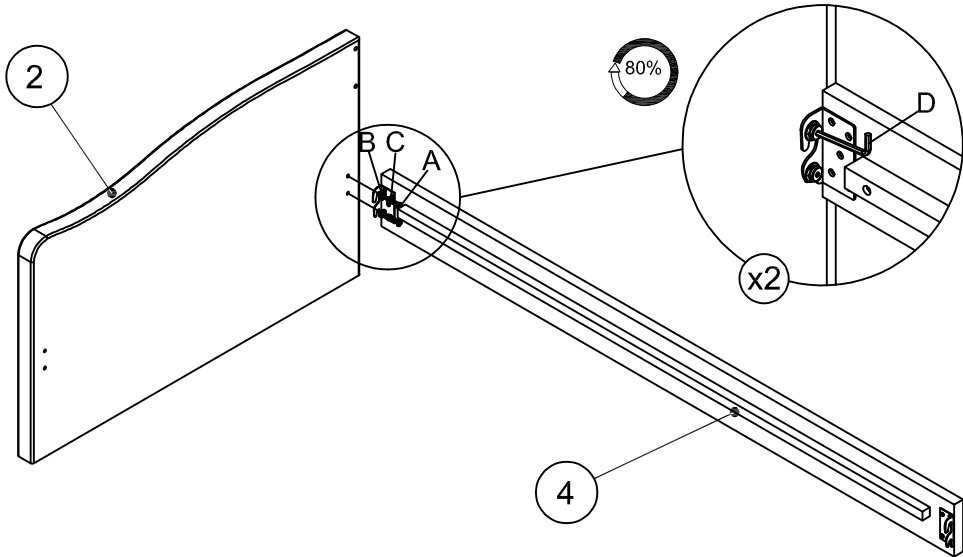
L







Cam lock Ø6x35 mm
8 pcs

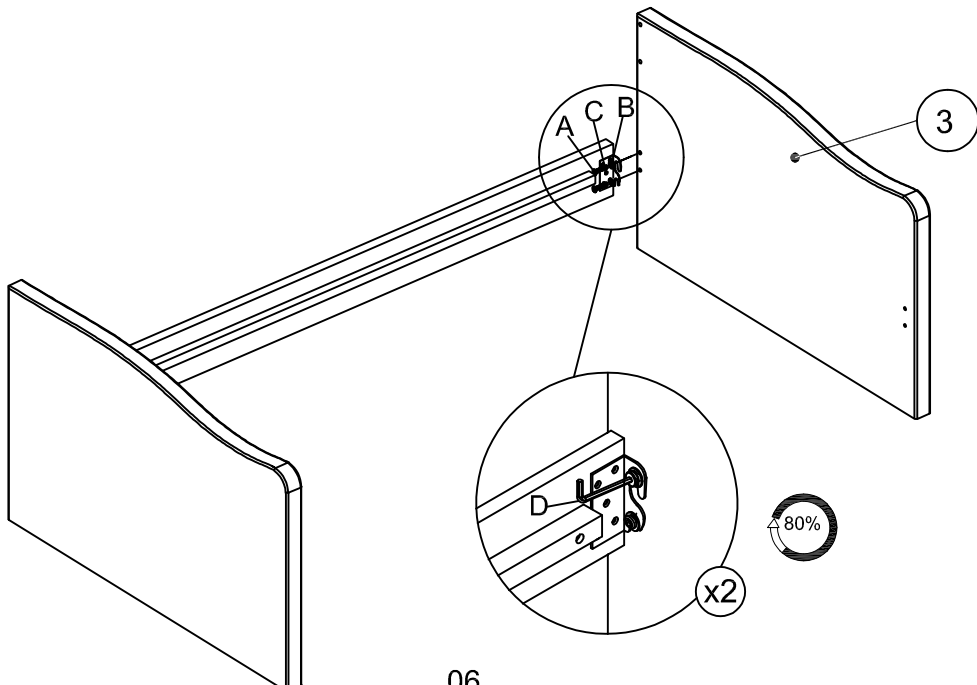
STEP 1

A x 2  Ø 5/16" x 38 mm	B x 2 	C x 2 	D x 1 	
---	--	--	---	--







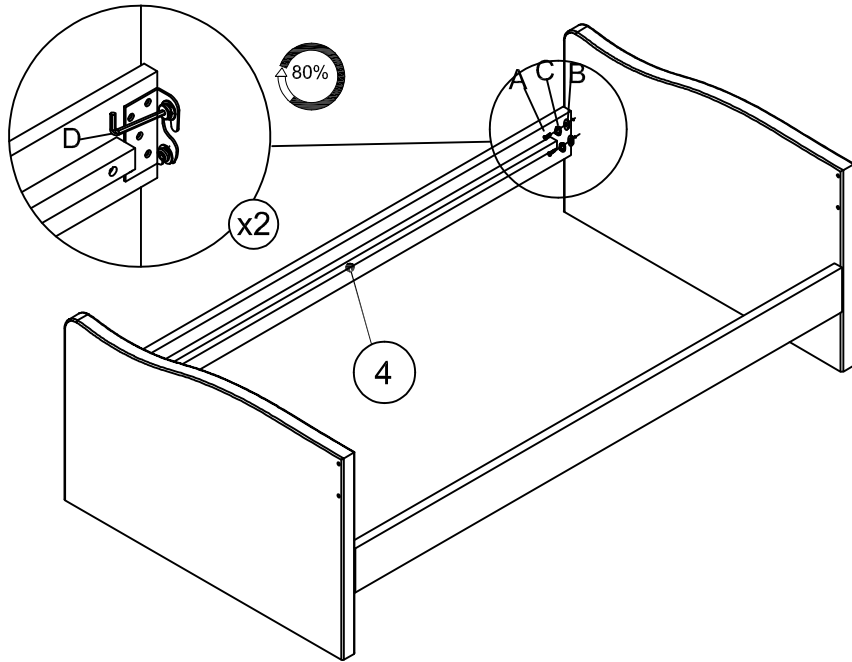
STEP 2

A x 2  Ø 5/16" x 38 mm	B x 2 	C x 2 	D x 1 	
---	--	--	---	--







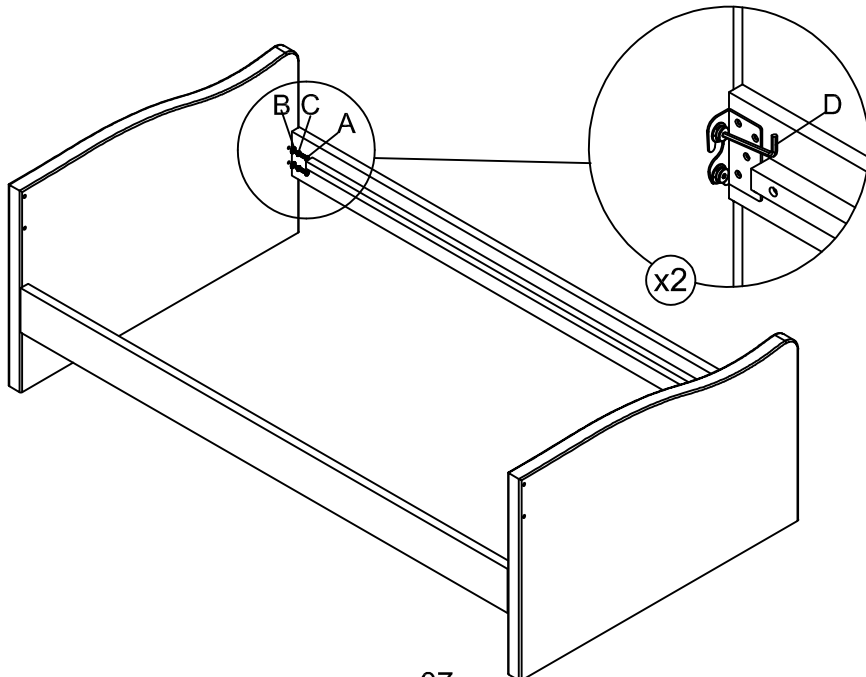
STEP 3

A x 2  Ø5/16" x 38 mm	B x 2 	C x 2 	D x 1 	
--	--	--	---	--







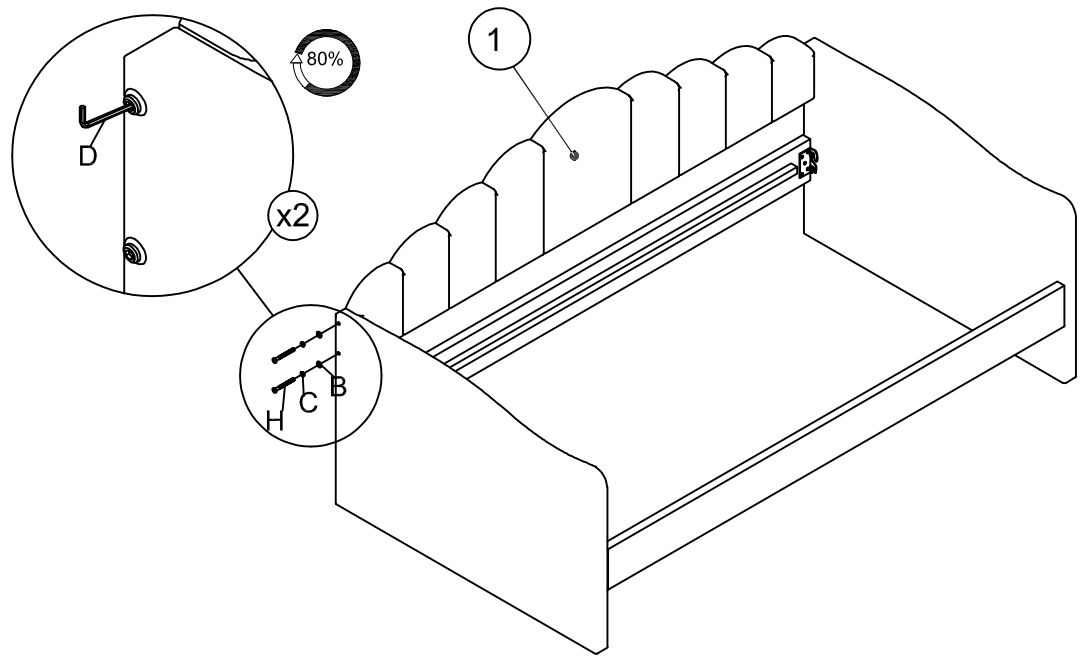
STEP 4

A x 2  Ø5/16" x 38 mm	B x 2 	C x 2 	D x 1 	
--	--	--	---	--







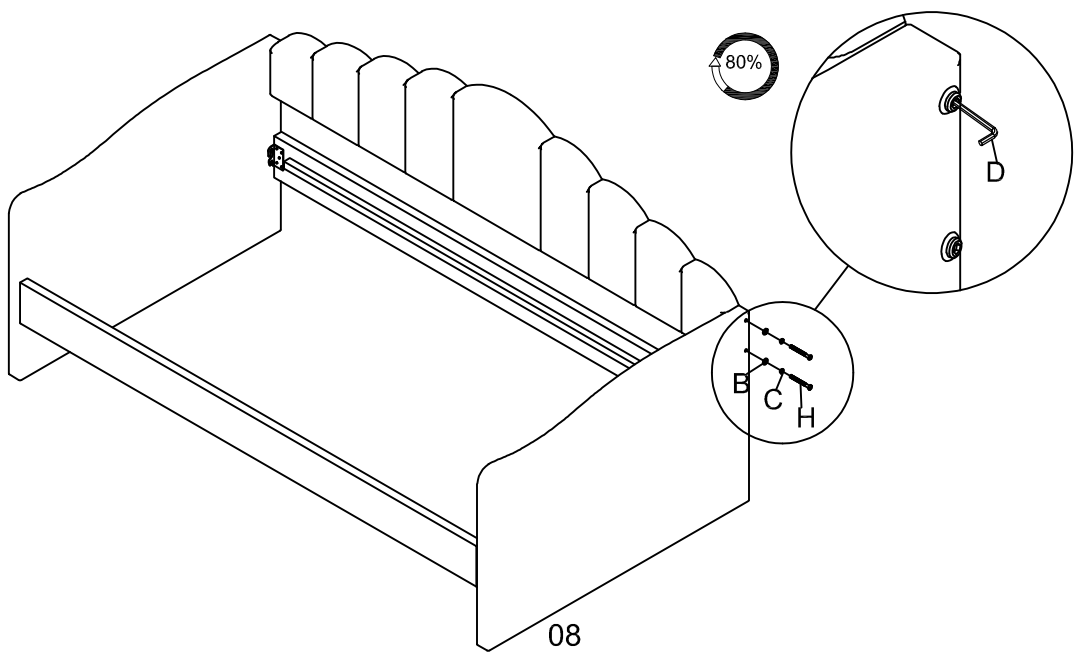
STEP 5

 H x 2 Ø 5/16" x 110 mm	 B x 2	 C x 2	 D x 1	
--	--	--	---	--

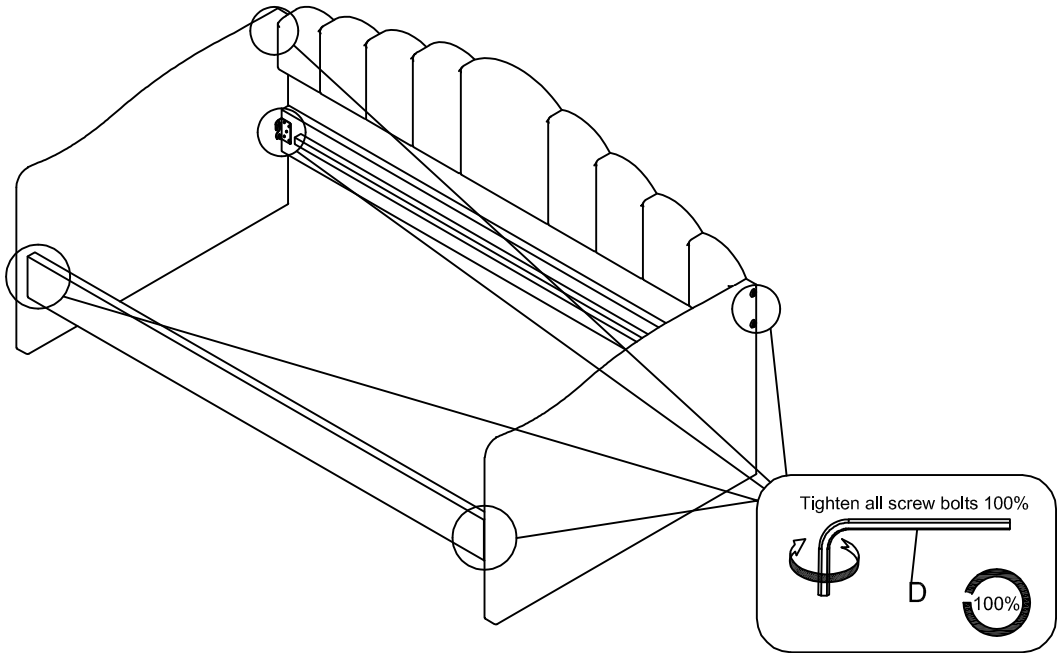
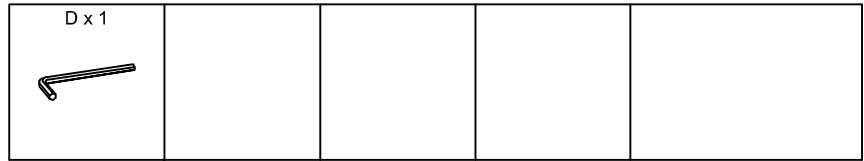


STEP 6

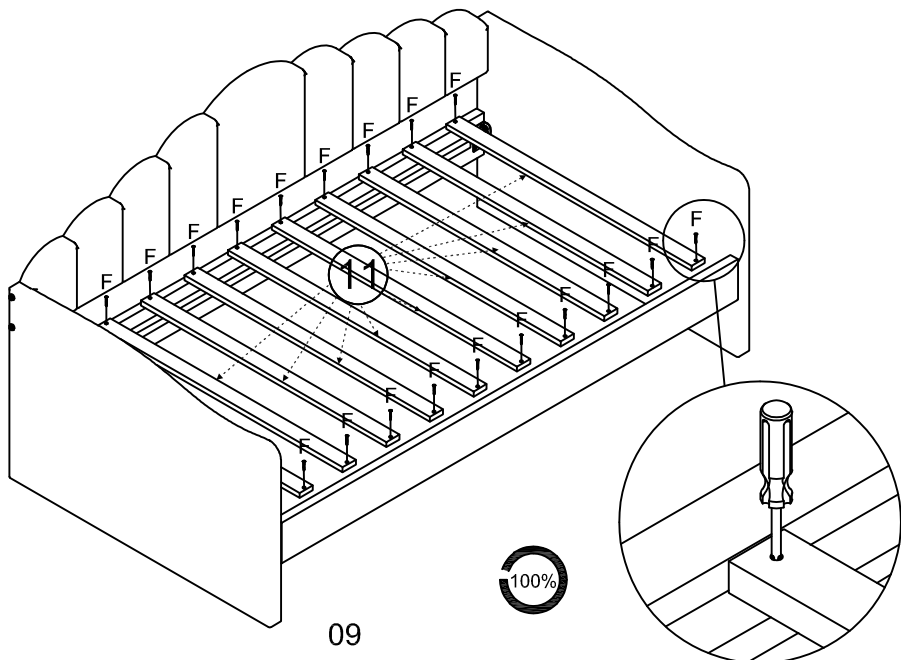
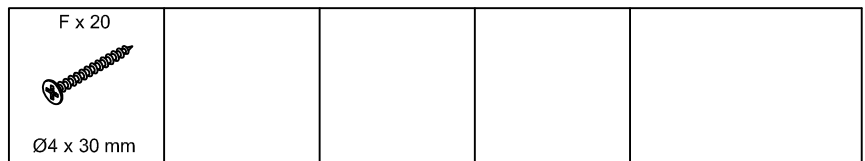
 H x 2 Ø 5/16" x 110 mm	 B x 2	 C x 2	 D x 1	
--	--	--	---	--



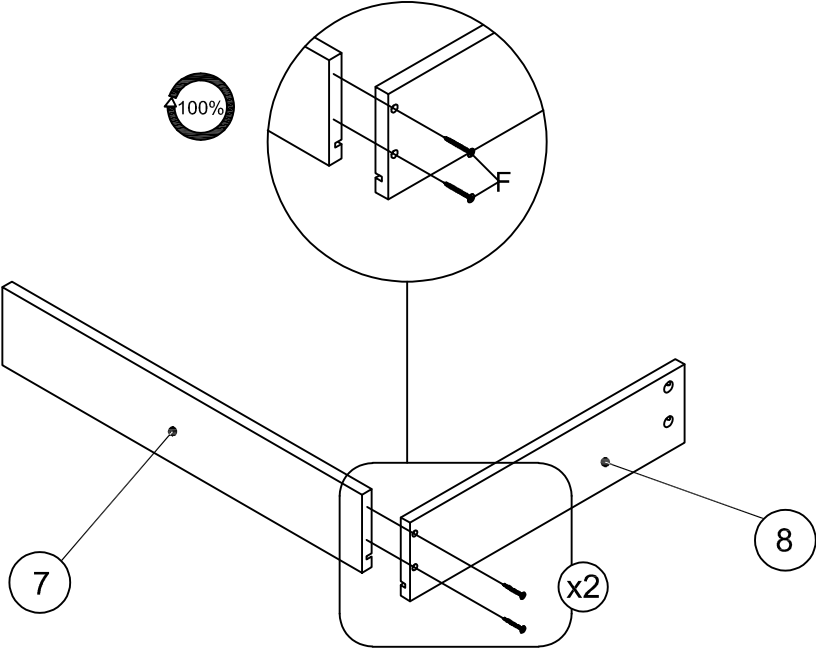
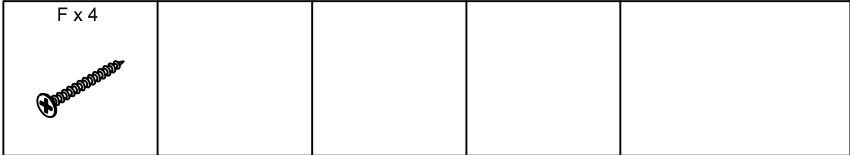
STEP 7



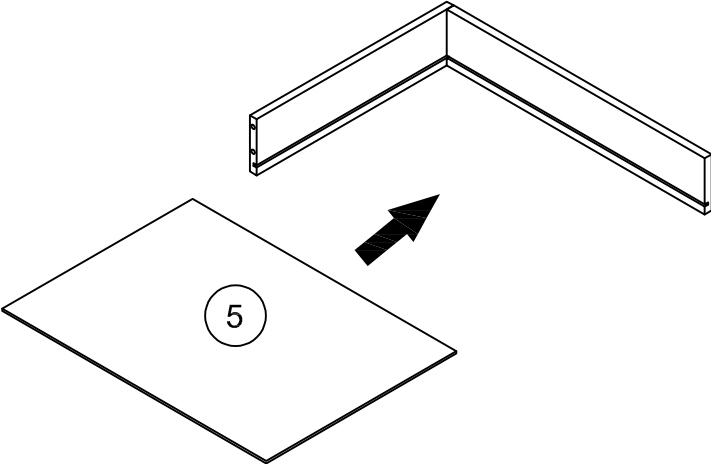
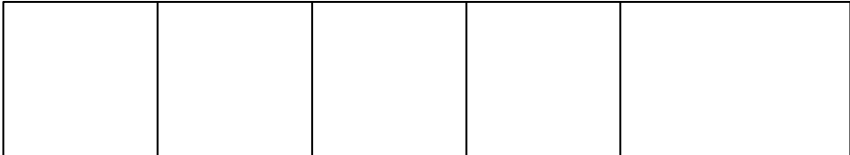
STEP 8



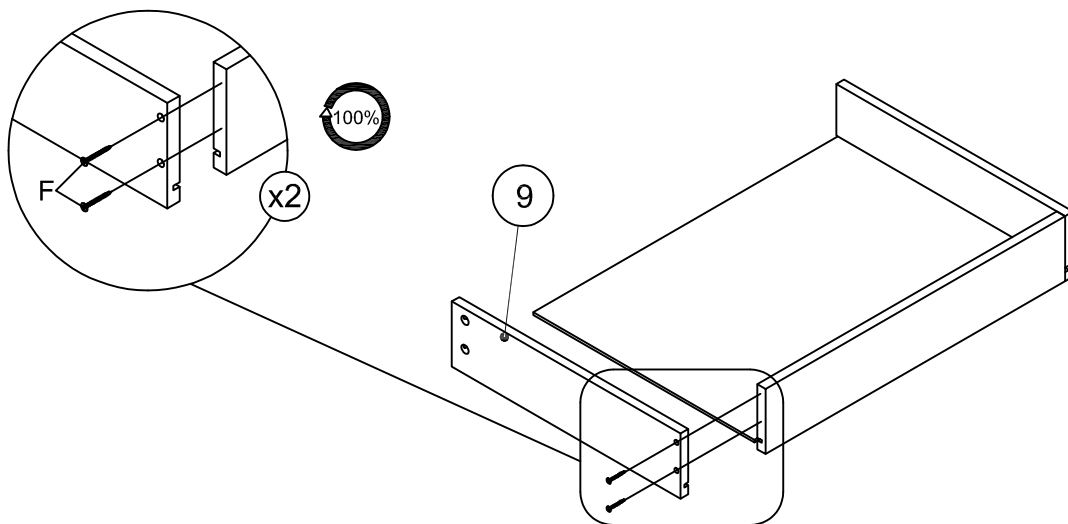
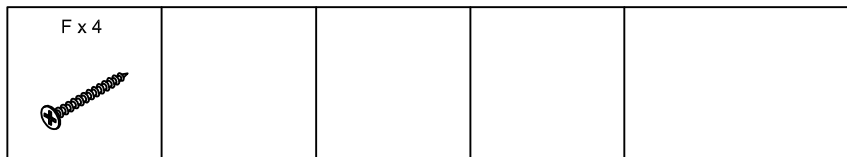
STEP 9



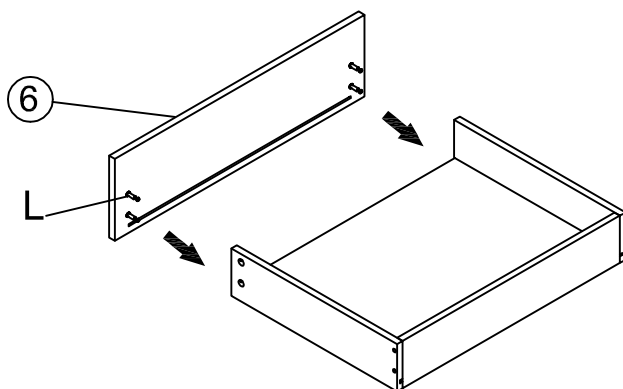
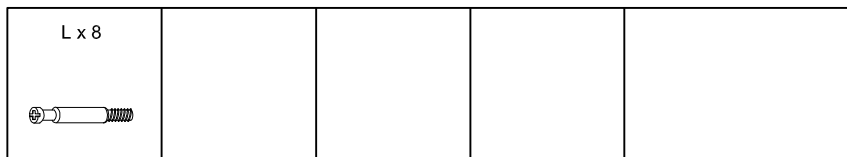
STEP 10



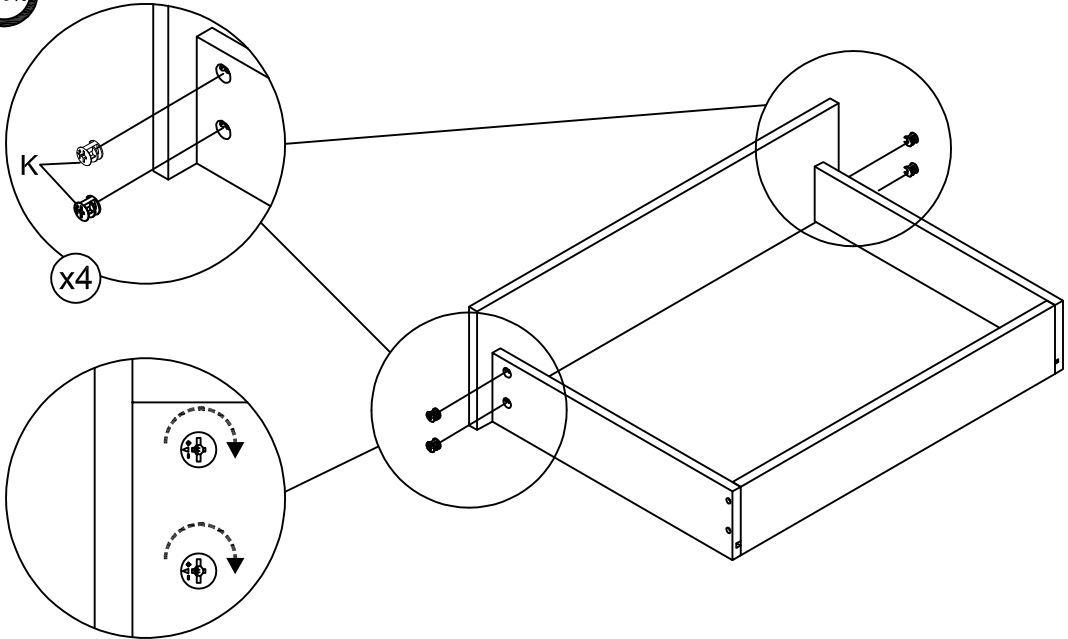
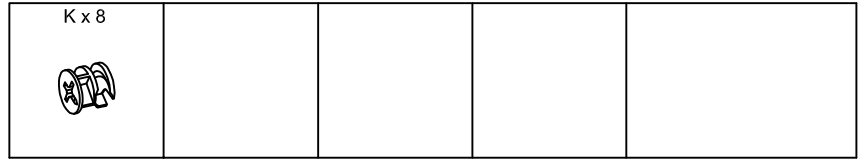
STEP 11



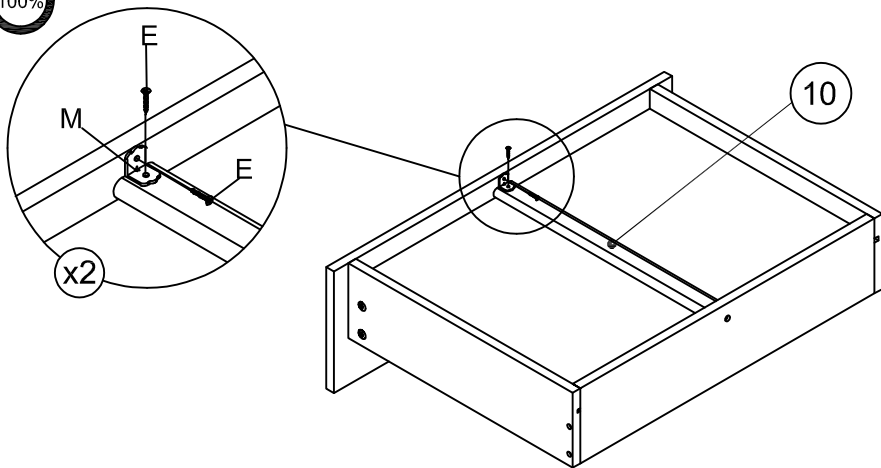
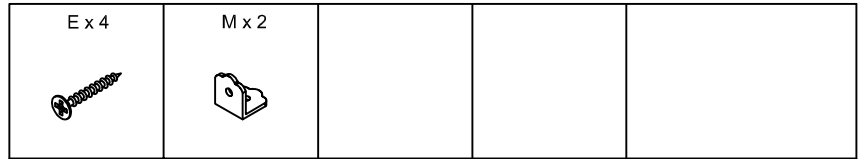
STEP 12



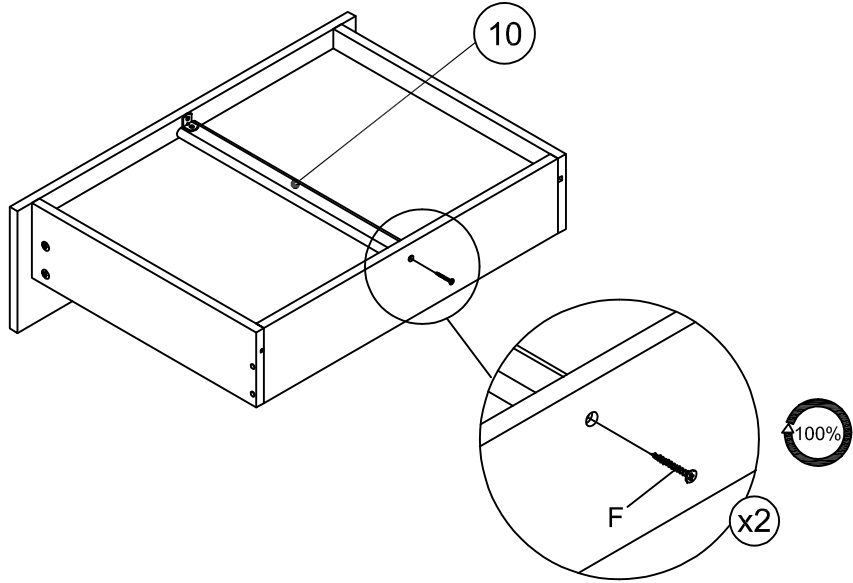
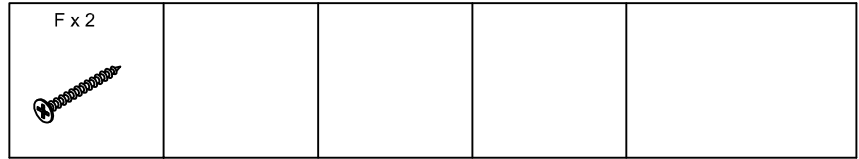
STEP 13



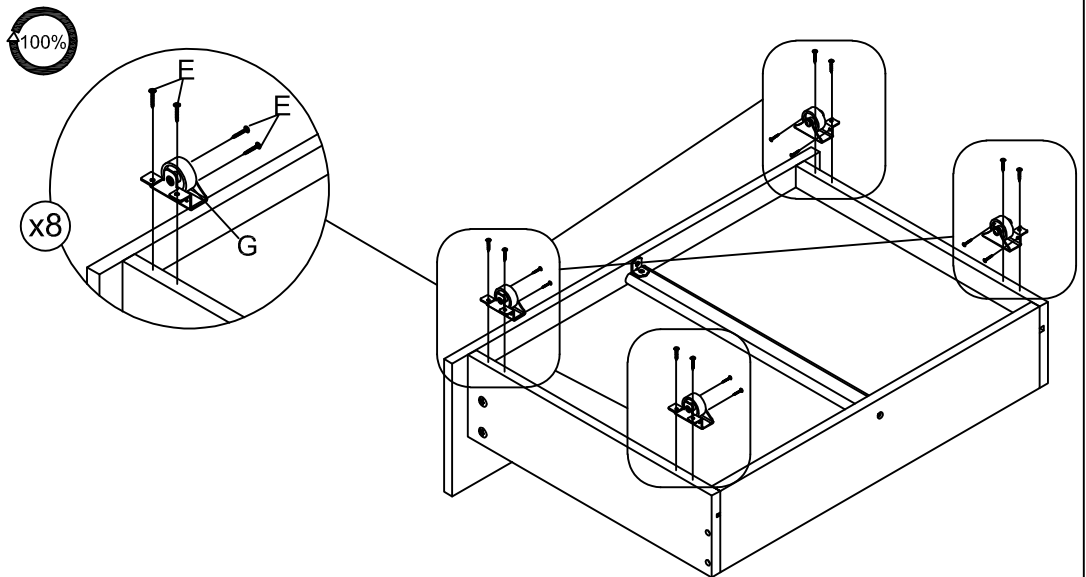
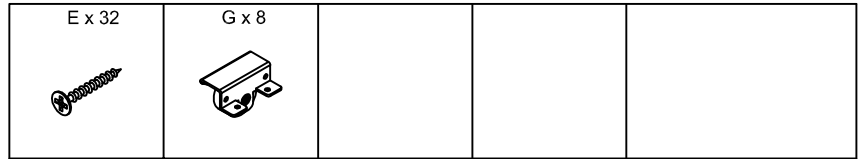
STEP 14



STEP 15



STEP 16



FINISHED

