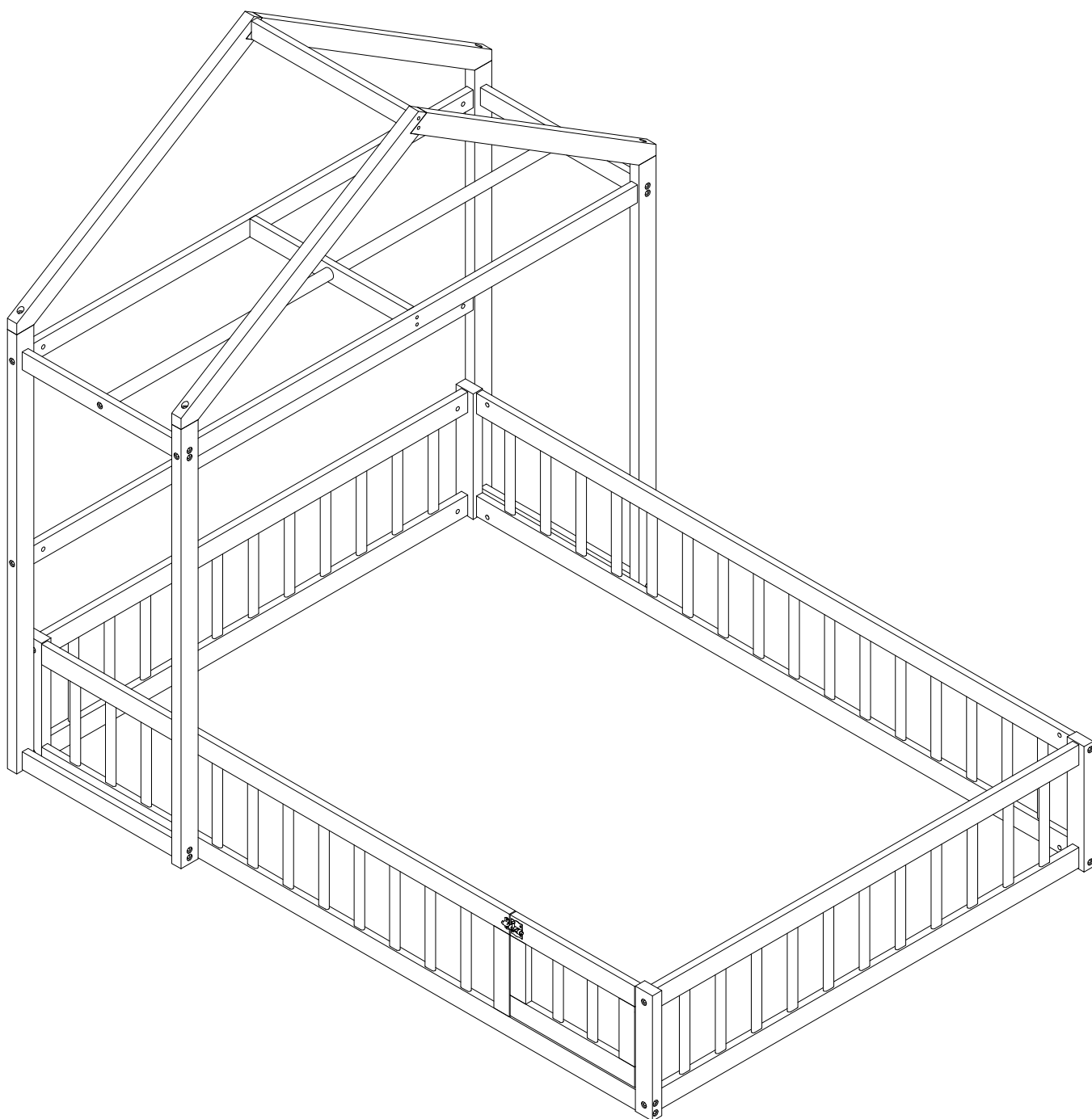


# ASSEMBLY INSTRUCTION

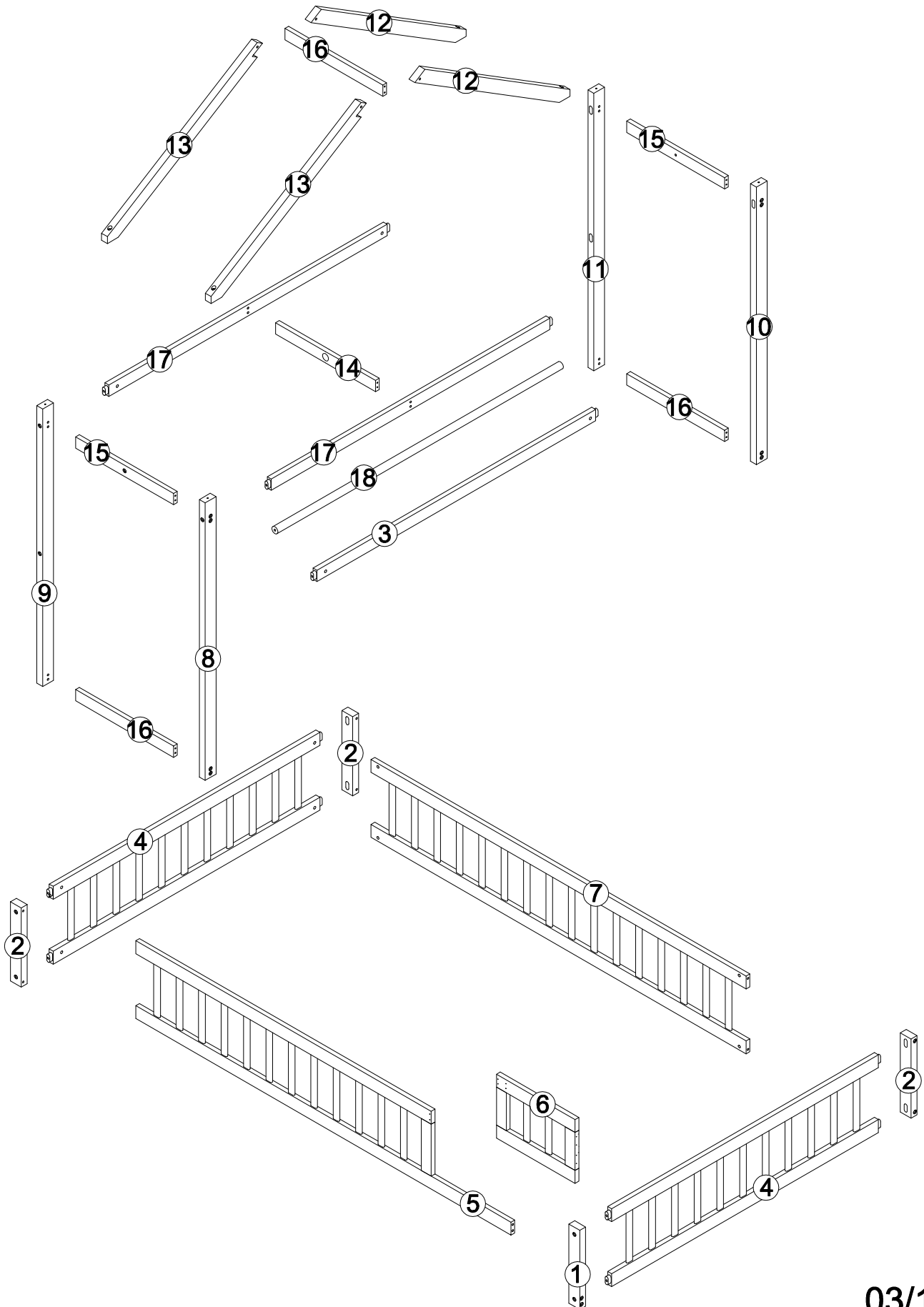
SKU CODE: (N733P170363)






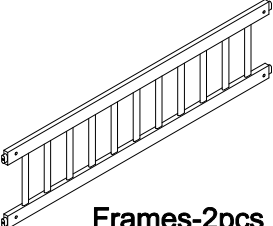
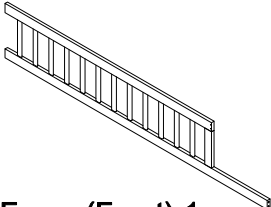
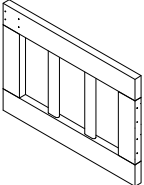
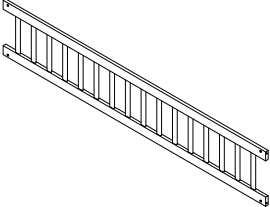



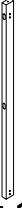

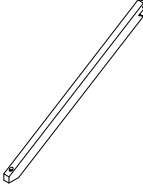
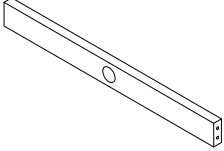
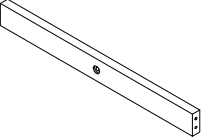
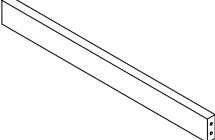
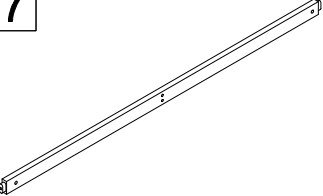
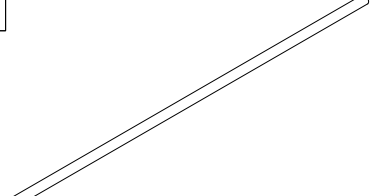
## **SAFETY WARNINGS AND GENERAL NOTES**

- 1. Do not use substitute parts. Contact the manufacturer or dealer for replacement parts.**
- 2. Keep these instructions for future reference.**
- 3. We recommend assembling your bed on the shipping carton to protect your floor.**
- 4. Be certain all staples are out of the box before beginning assembly on the shipping carton.**
- 5. Replacement Parts:**  
Replacement Parts, including additional guardrails, may be obtained from any of our (GIGACLOUD TECHNOLOGY (USA) INC.) dealers.

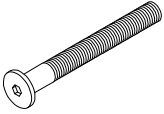

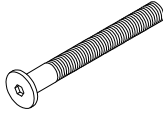
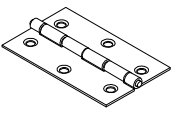
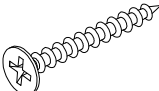
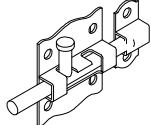
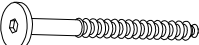
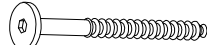
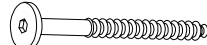
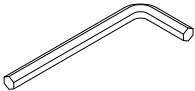
# ASSEMBLY INSTRUCTION

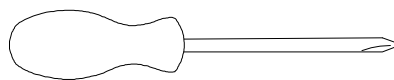


# Part List ( Box N733P170363)

<p><b>1</b></p>  <p>Leg-1pc</p>	<p><b>2</b></p>  <p>Legs-3pcs</p>	<p><b>3</b></p>  <p>Wood Bar-1pc</p>
<p><b>4</b></p>  <p>Frames-2pcs</p>	<p><b>5</b></p>  <p>Side Frame(Front)-1pc</p>	<p><b>6</b></p>  <p>Door Frame-1pc</p>
<p><b>7</b></p>  <p>Side Frame(Back)-1pc</p>	<p><b>8</b></p>  <p>Leg-1pc</p>	<p><b>9</b></p>  <p>Leg-1pc</p>
<p><b>10</b></p>  <p>Leg-1pc</p>	<p><b>11</b></p>  <p>Leg-1pc</p>	<p><b>12</b></p>  <p>Roof Top Bars-2pcs</p>
<p><b>13</b></p>  <p>Roof Top Bars-2pcs</p>	<p><b>14</b></p>  <p>Wood Bar-1pc</p>	<p><b>15</b></p>  <p>Wood Bars-2pcs</p>
<p><b>16</b></p>  <p>Wood Bars-3pcs</p>	<p><b>17</b></p>  <p>Wood Bars-2pcs</p>	<p><b>18</b></p>  <p>Wood Bar-1pc</p>

# Hardware List ( Box N733P170363)

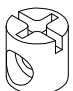
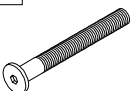
<b>A</b>  Ø1/4" x 70 mm Hex-Head bolts 8pcs	<b>B</b>  Ø1/4" x 13 mm Horizontal-Hole bolts 22pcs	<b>C</b>  Ø1/4" x 100 mm Hex-Head bolts 14pcs
<b>D</b>  Leaf hinge 2pcs	<b>E</b>  M3 x 12 mm Wood Screws 18pcs	<b>F</b>  Catch(20x38x38) 1pc
<b>G</b>  Screws 1/4"x60 20pcs	<b>H</b>  Screws 1/4"x50 6pcs	<b>I</b>  Screws 1/4"x70 4pcs
<b>J</b>  Allen Key 1pc		

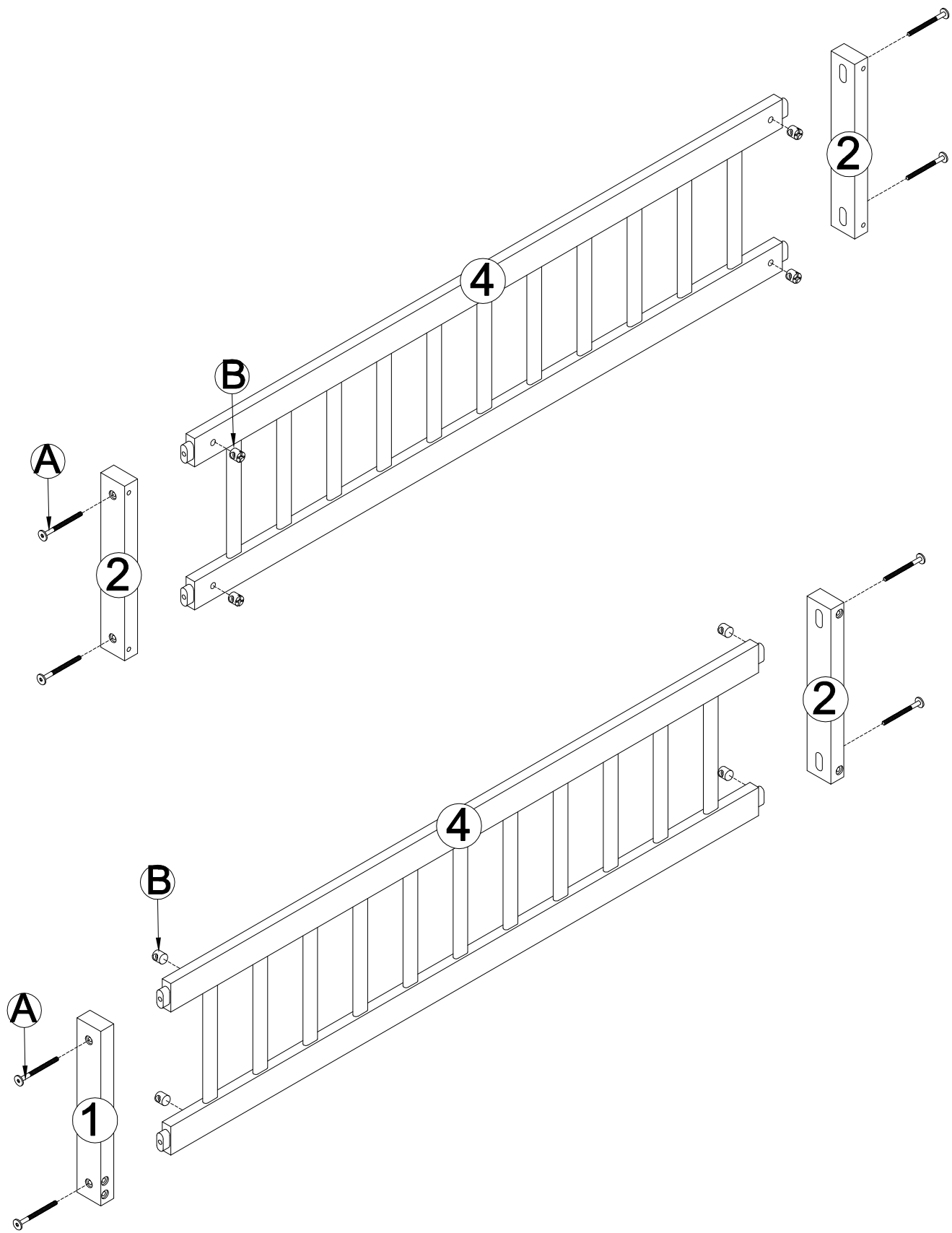


**Assembly Tools Required (Not Included)**

# STEP 1: Following below illustration:


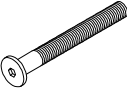
- Using HW #A,#B to connect ②&② Legs with ④ Frame
- Using HW #A,#B to connect ①&② Legs with ④ Frame

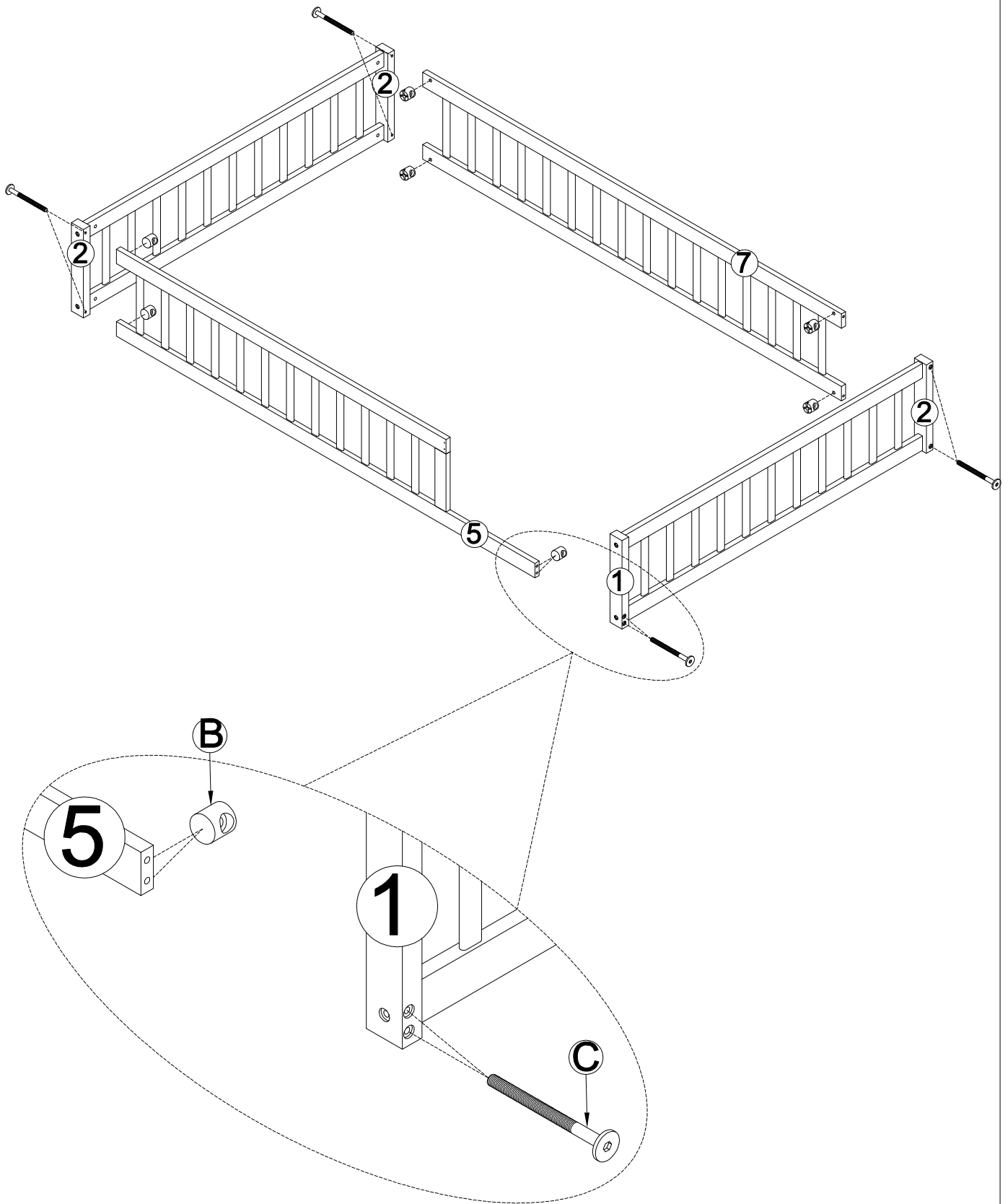
<b>B</b>		<b>A</b>	
8pcs		8pcs	



# STEP 2: Following below illustration:

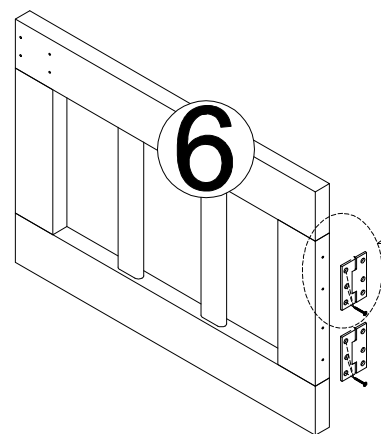
-Using HW #B,#C to contact ⑤ & ⑦ side rails with ④ frame (completed in Step 1)

<b>B</b>		<b>C</b>	
8pcs		8pcs	

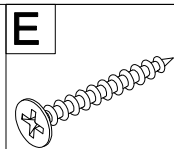
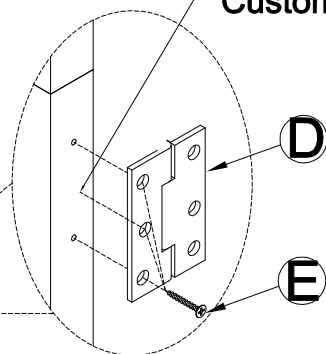


# STEP 3: Following below illustration:

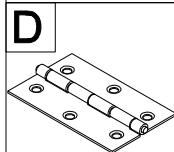
Do not drill positioning holes  
Customers align and screw



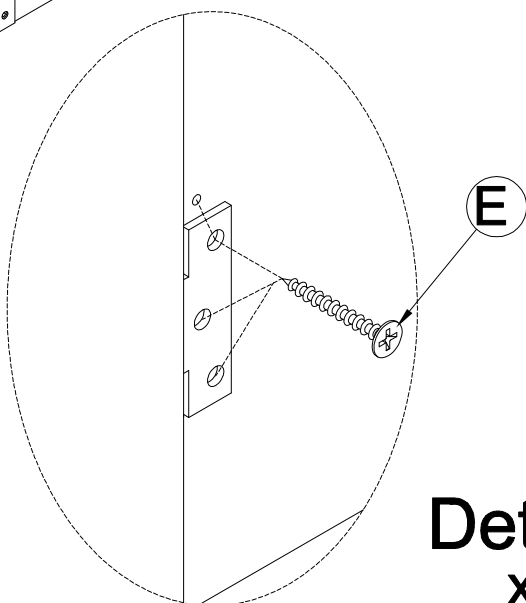
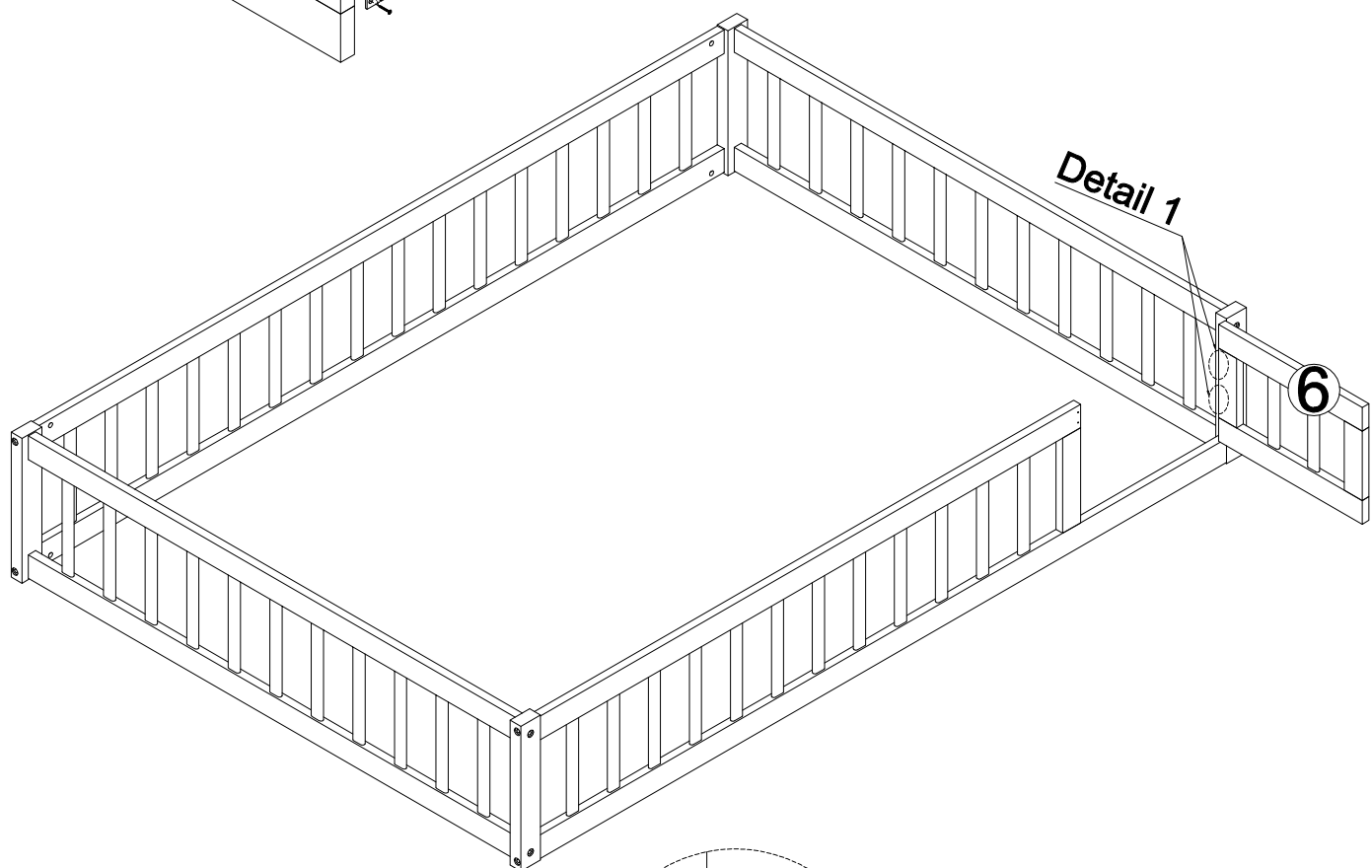
x2



12pcs



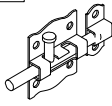
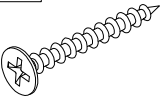
2pcs

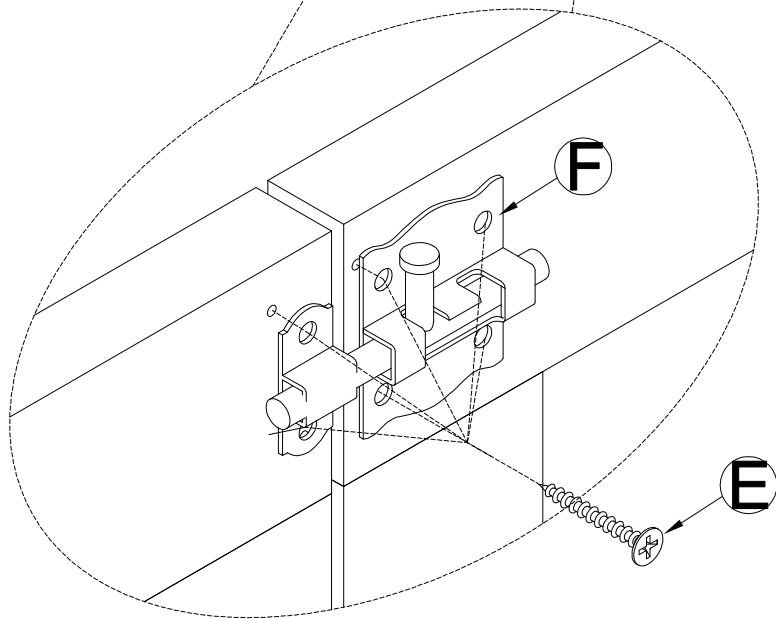
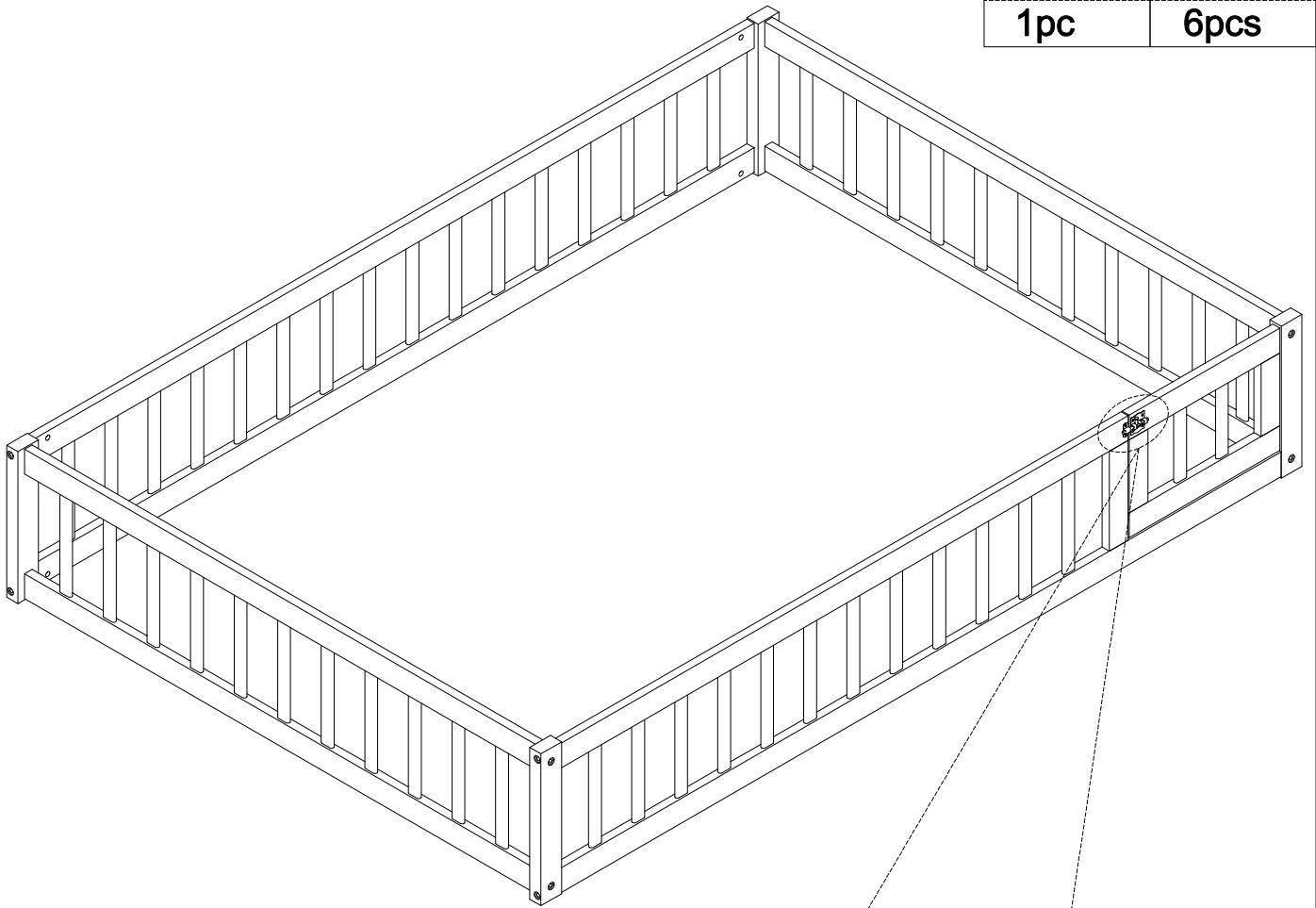


Detail 1  
x2

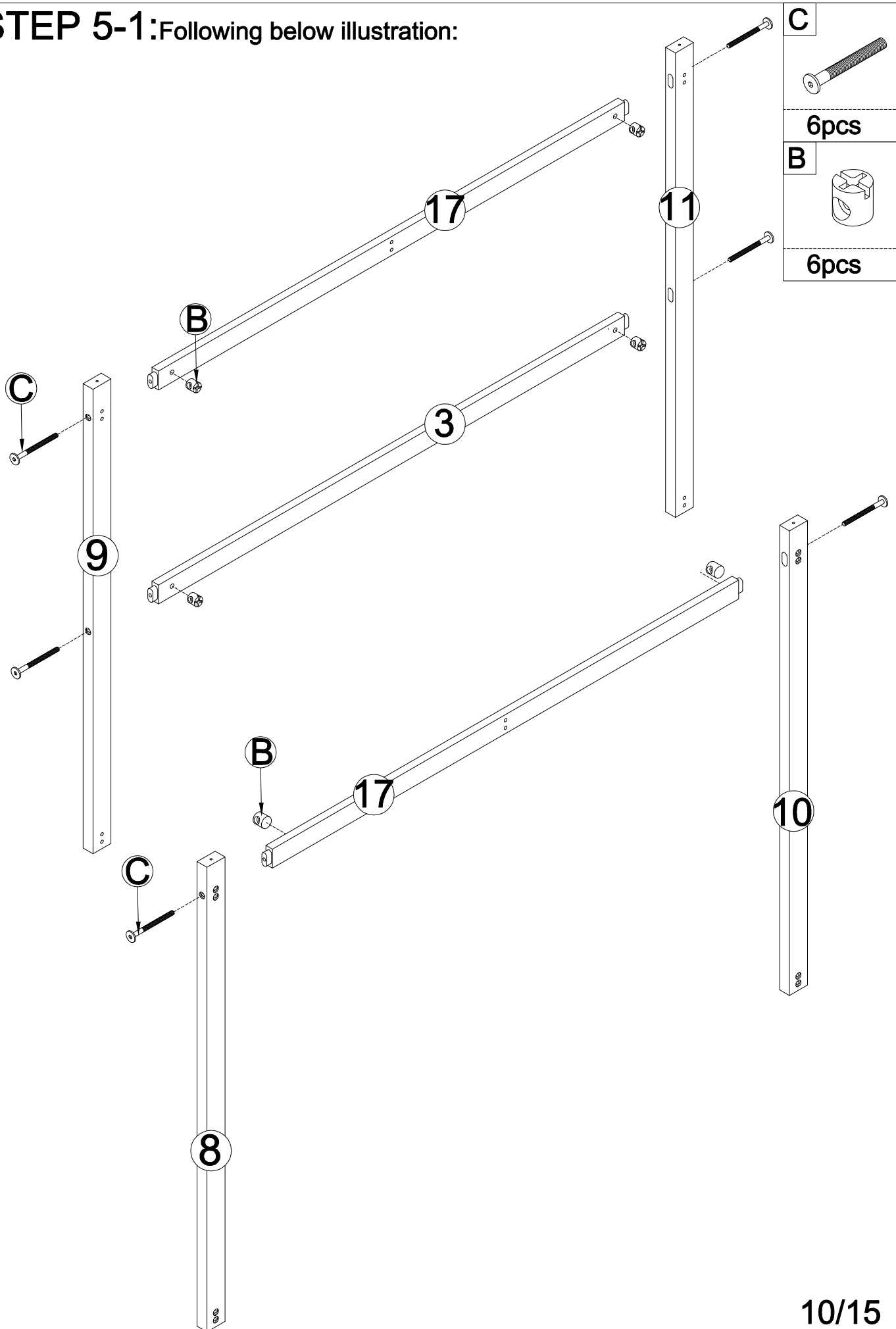


# STEP 4: Following below illustration:

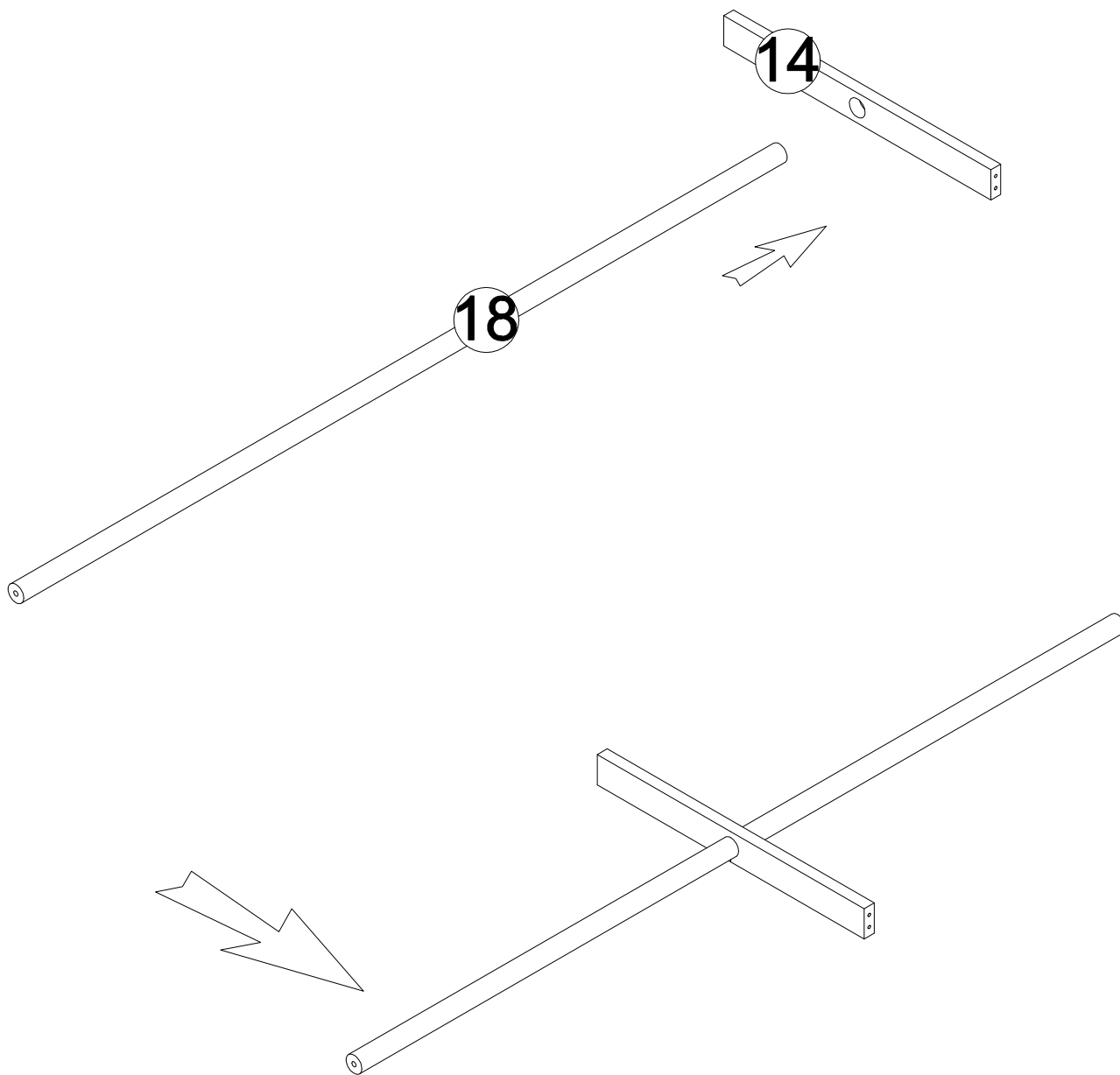
<b>F</b> 	<b>E</b> 
1pc	6pcs





# STEP 5-1: Following below illustration:

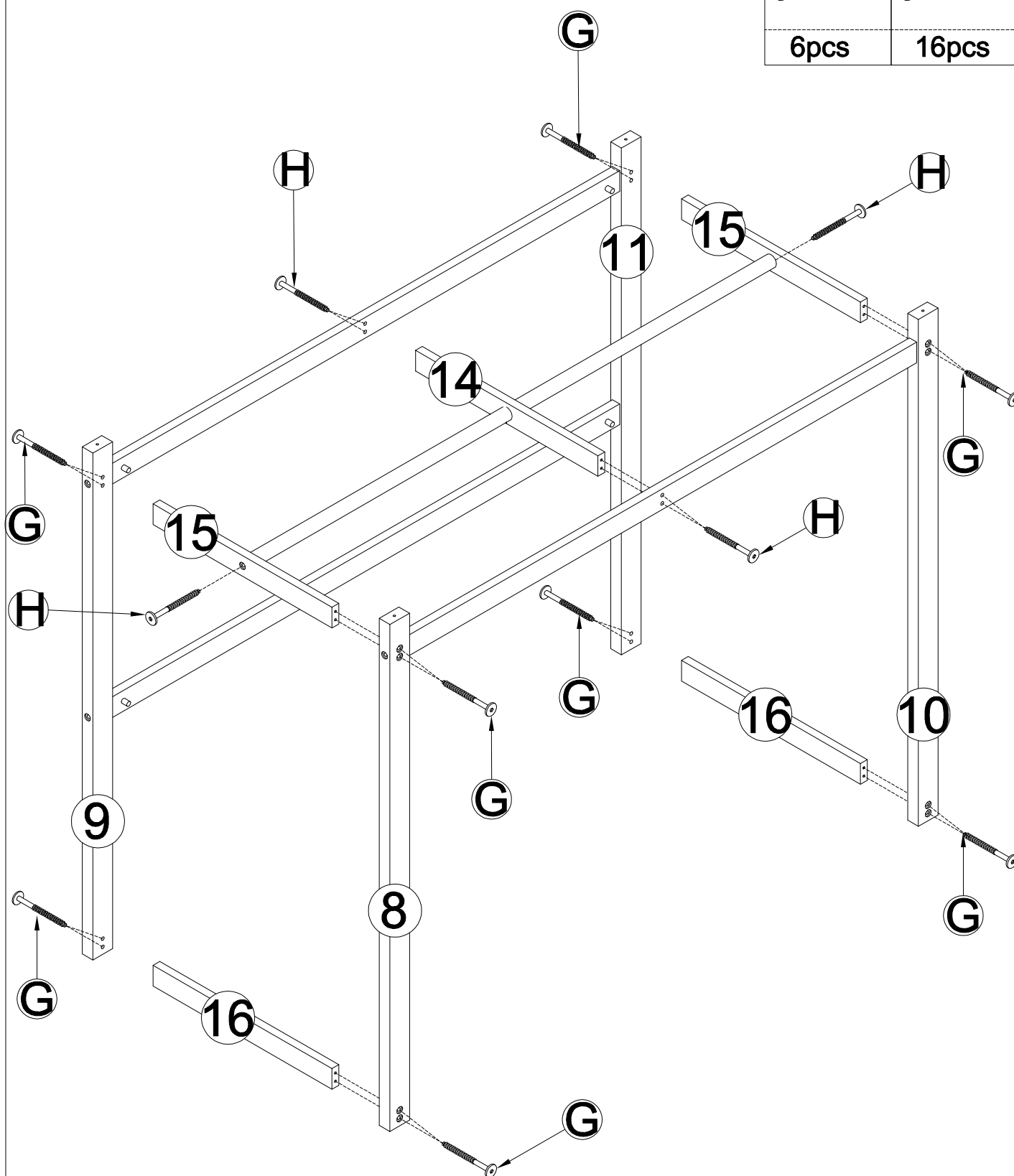


**STEP 5-2:**Following below illustration:



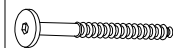
# STEP 5-3: Following below illustration:

H	G
	
6pcs	16pcs

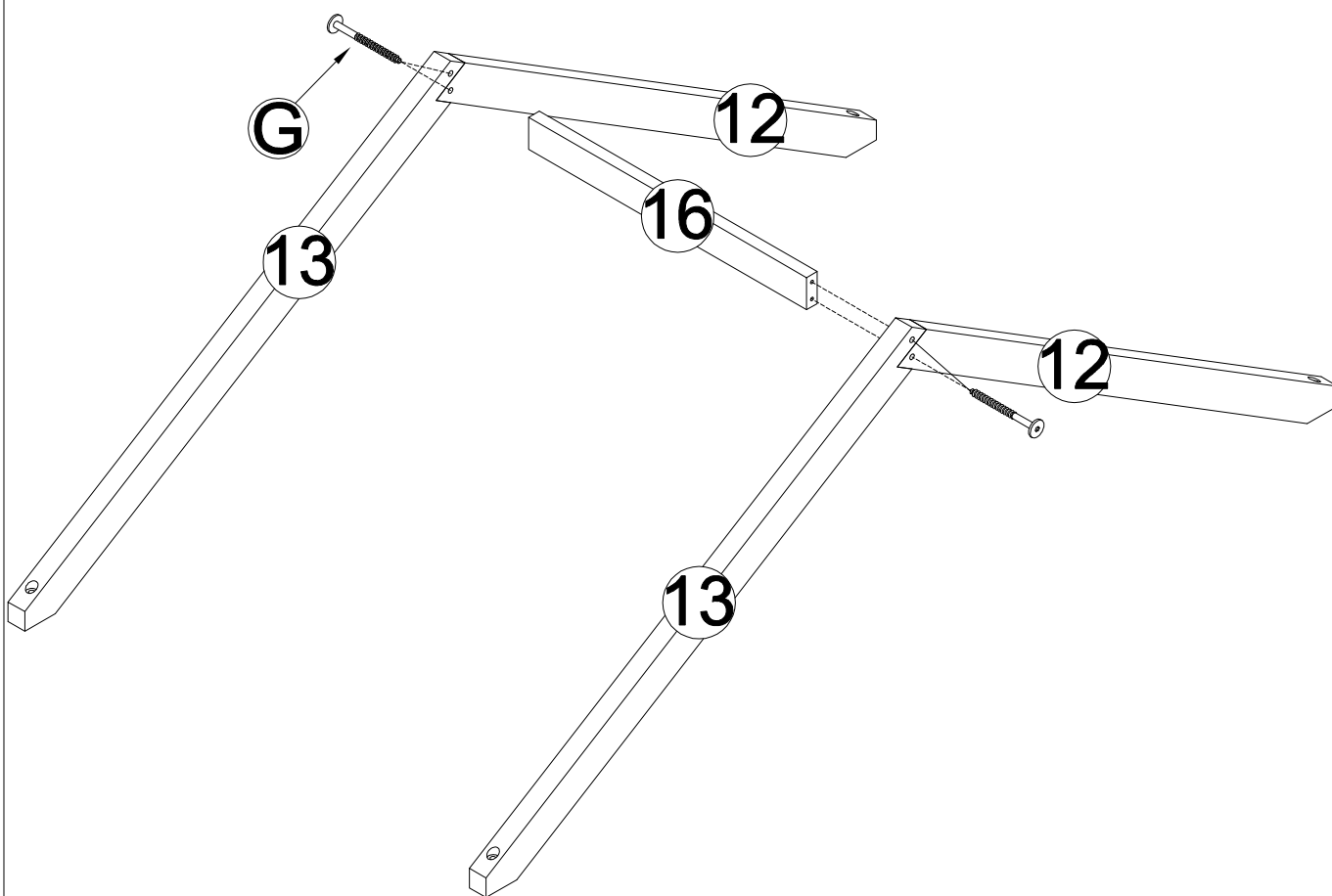


**STEP 5-4:**Following below illustration:


**G**

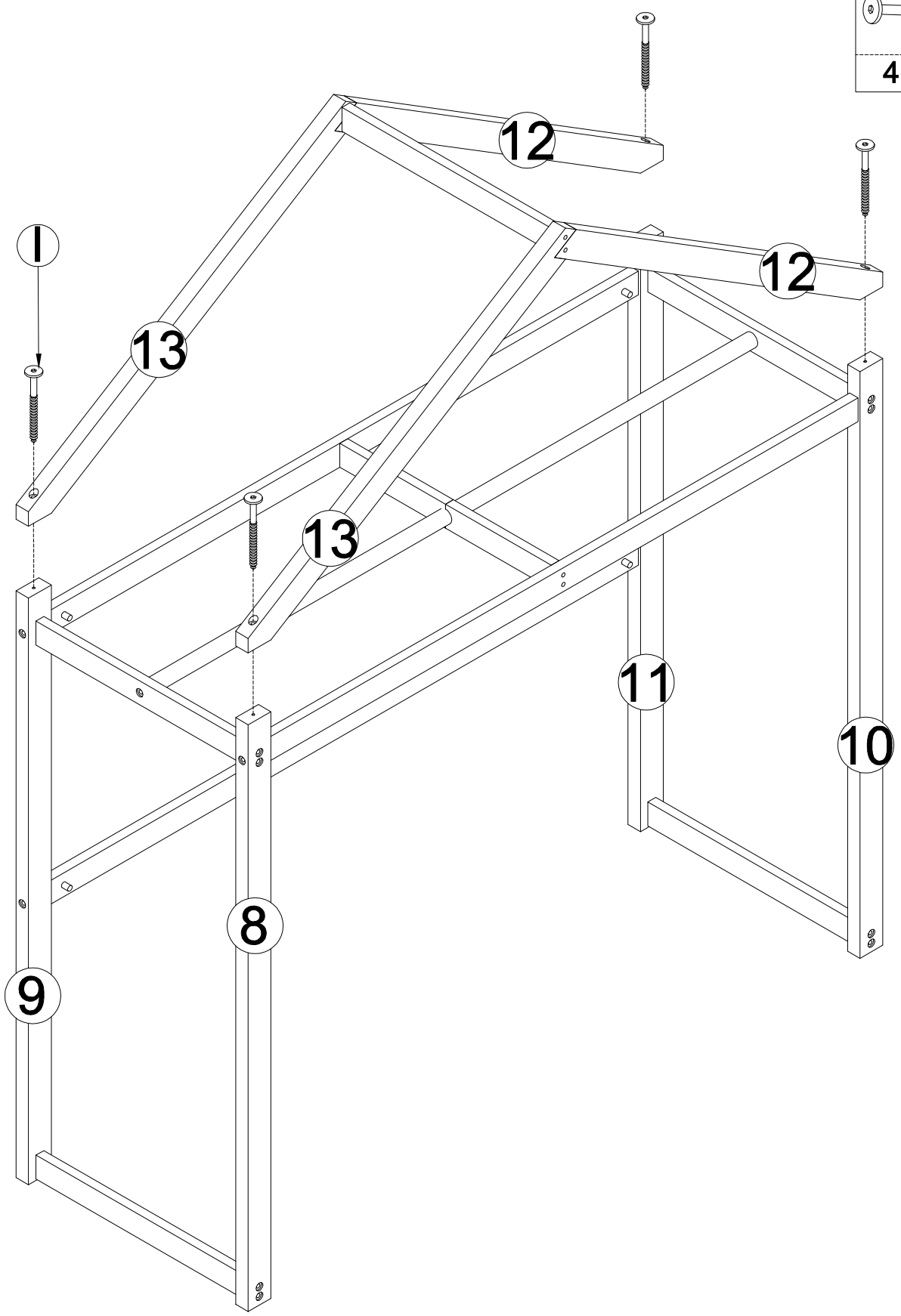


**4pcs**



**STEP 5-5:** Following below illustration:

I

4pcs



**STEP 6: CONGRATULATION. YOU HAVE COMPLETED THE BED**  
Push BED into position

