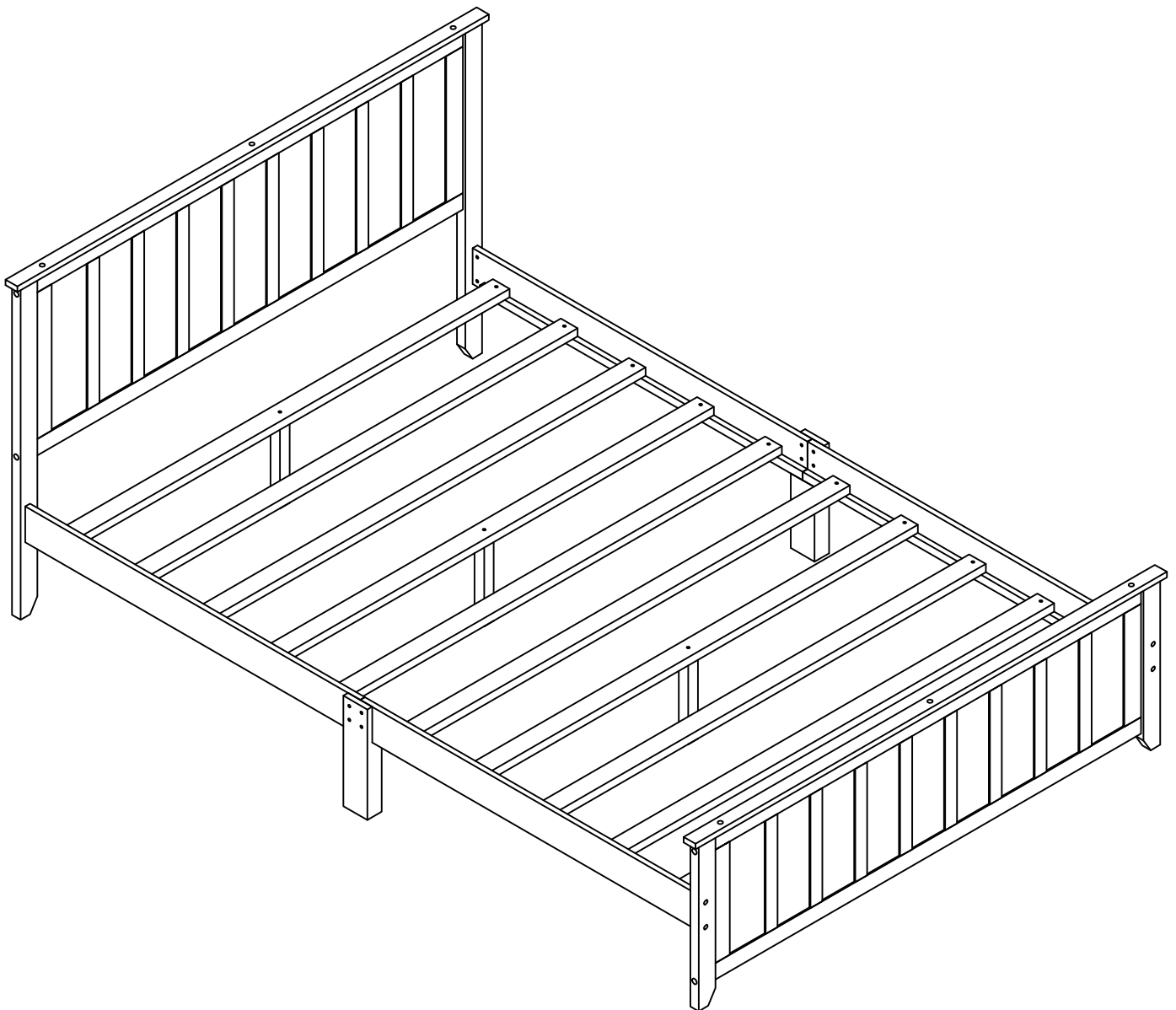


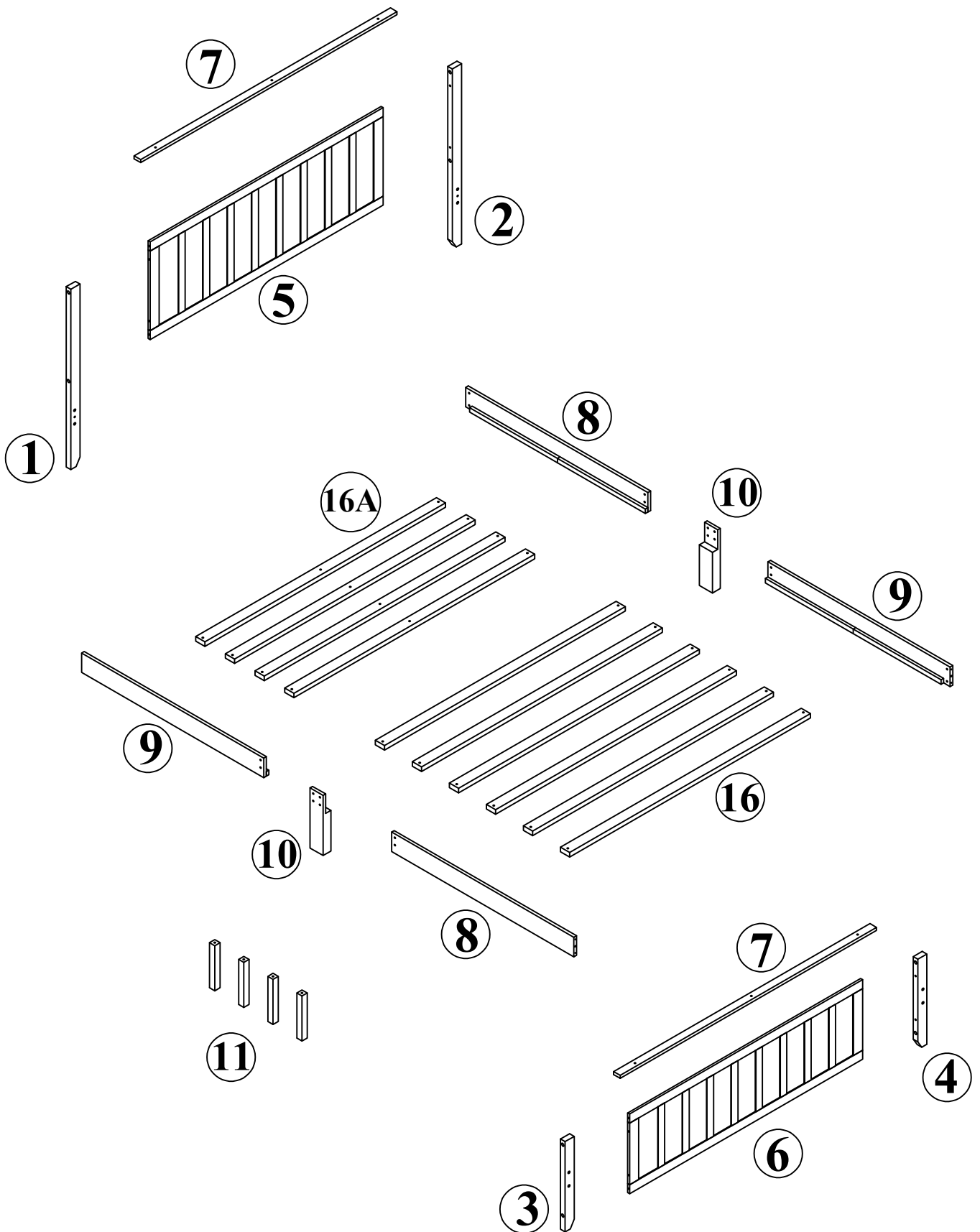
# ASSEMBLY INSTRUCTIONS

## QUEEN BED

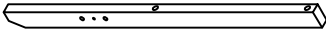
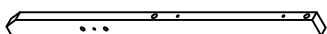
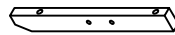
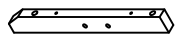
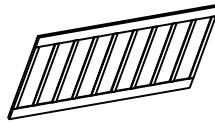
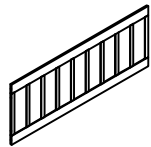
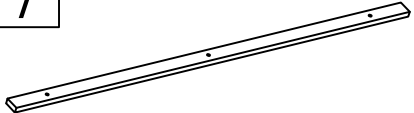

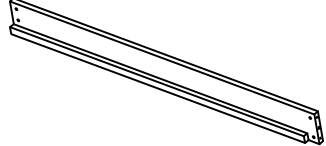

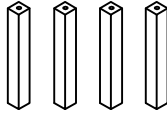

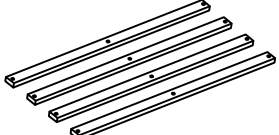


**WF313318**

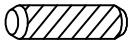
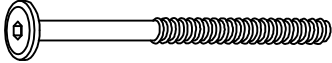

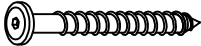



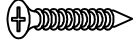
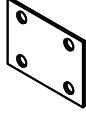

# Detail View




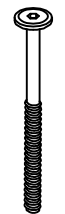
# Part Lists : WF313318

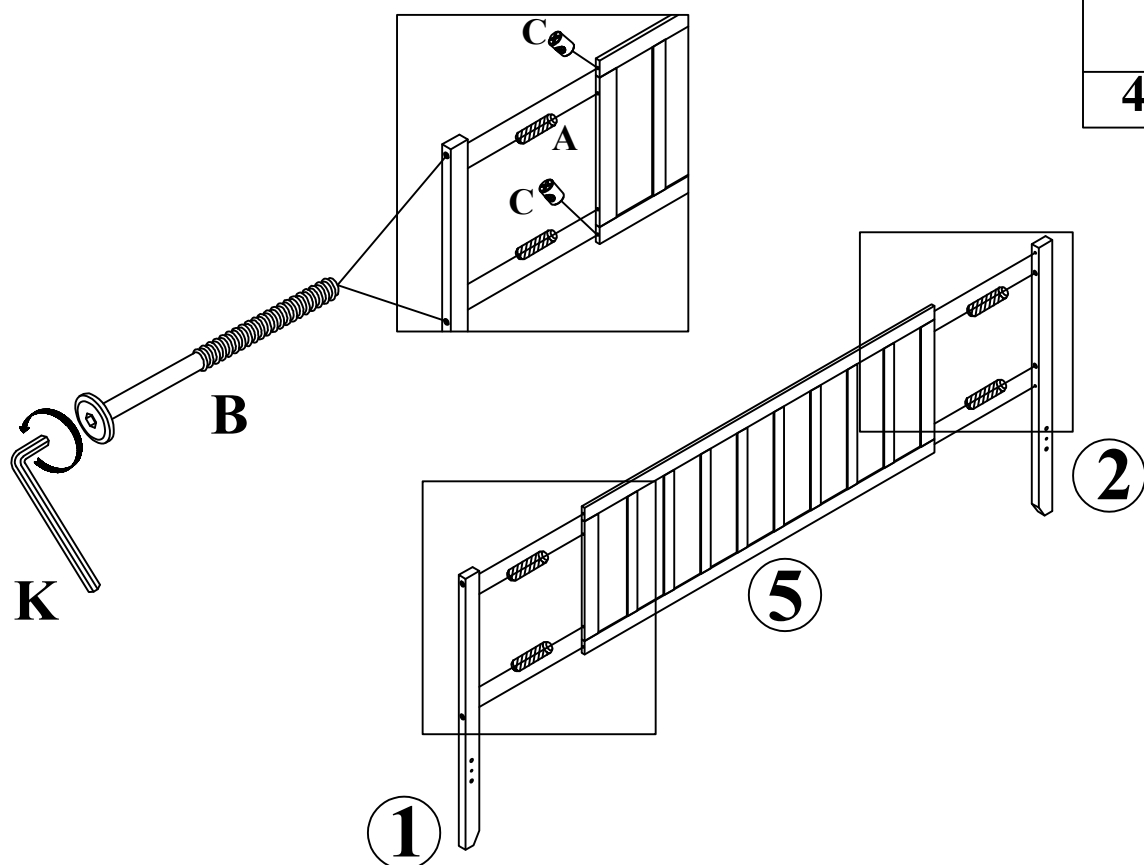
<b>1</b> 	<b>2</b> 	<b>3</b> 
<b>Front leg (left) - 1pc</b>	<b>Front leg (right) - 1pc</b>	<b>Front leg (left) - 1pc</b>
<b>4</b> 	<b>5</b> 	<b>6</b> 
<b>Front leg (right) - 1pc</b>	<b>Bedside frame - 1pc</b>	<b>Bed end frame - 1pc</b>
<b>7</b> 	<b>8</b> 	<b>9</b> 
<b>Bed frame - 2pcs</b>	<b>Bed shoulder - 2pcs</b>	<b>Bed shoulder - 2pcs</b>
<b>10</b> 	<b>11</b> 	<b>16</b> 
<b>Legs support shoulders - 2pcs</b>	<b>Support bar - 4pcs</b>	<b>Slats - 6pcs</b>
<b>16A</b> 		
<b>Slats 3 hole - 4pcs</b>		

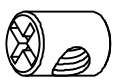
# Hardware Lists : WF313318

<b>A</b>  Ø10*30mm	<b>B</b>  Ø1/4"*110mm	<b>C</b>  Ø1/4"*9.5*12mm
Wood dowel (14pcs)	Hex-Head bolt (8pcs)	Horizontal-Hole bolt (16pcs)
<b>D</b>  Ø6*40mm	<b>E</b>  Ø1/4"*80mm	<b>F</b>  Ø1/4"*35mm
Hex-Head screw (6pcs)	Hex-Head bolt (8pcs)	Hex-Head bolt (12pcs)
<b>G</b>  Ø1/4"	<b>H</b>  #4*30mm	<b>J</b>  3x80x60mm
Nut (12pcs)	Screw (20pcs)	Pass - 2pcs
<b>K</b>  K4mm		
Allen key (1pc)		


# Step 1:

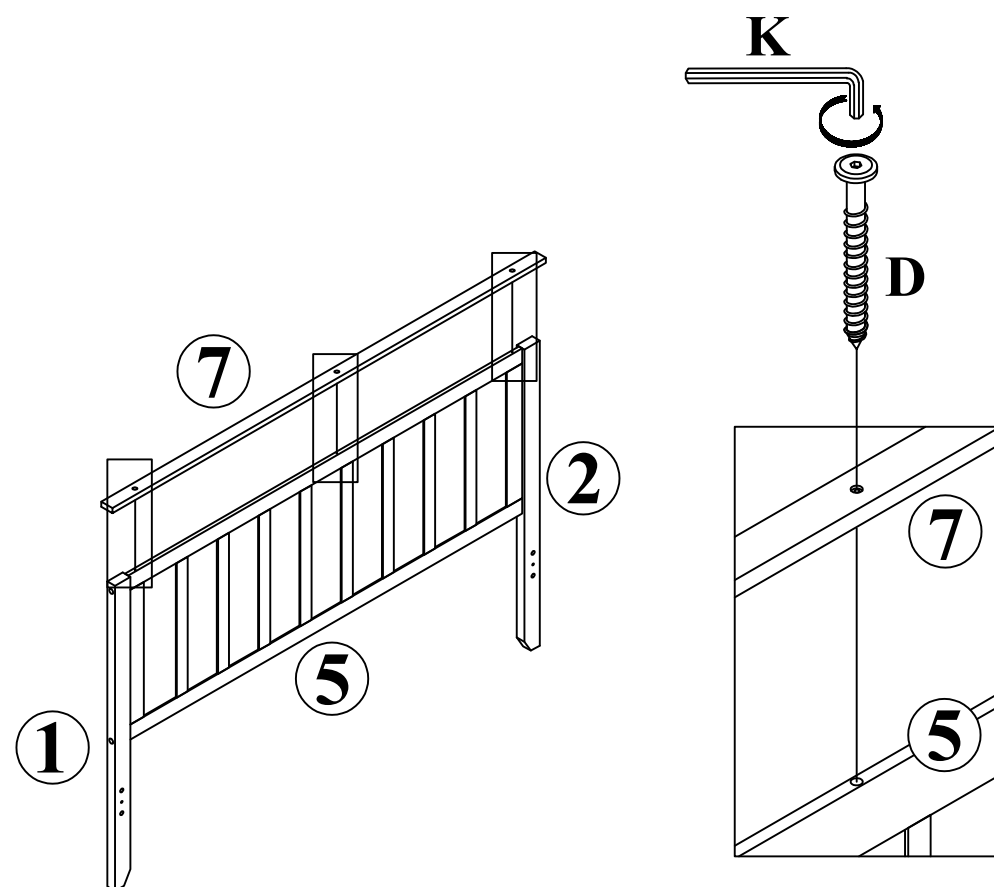
<b>A</b>		<b>B</b>	
4pcs		4pcs	



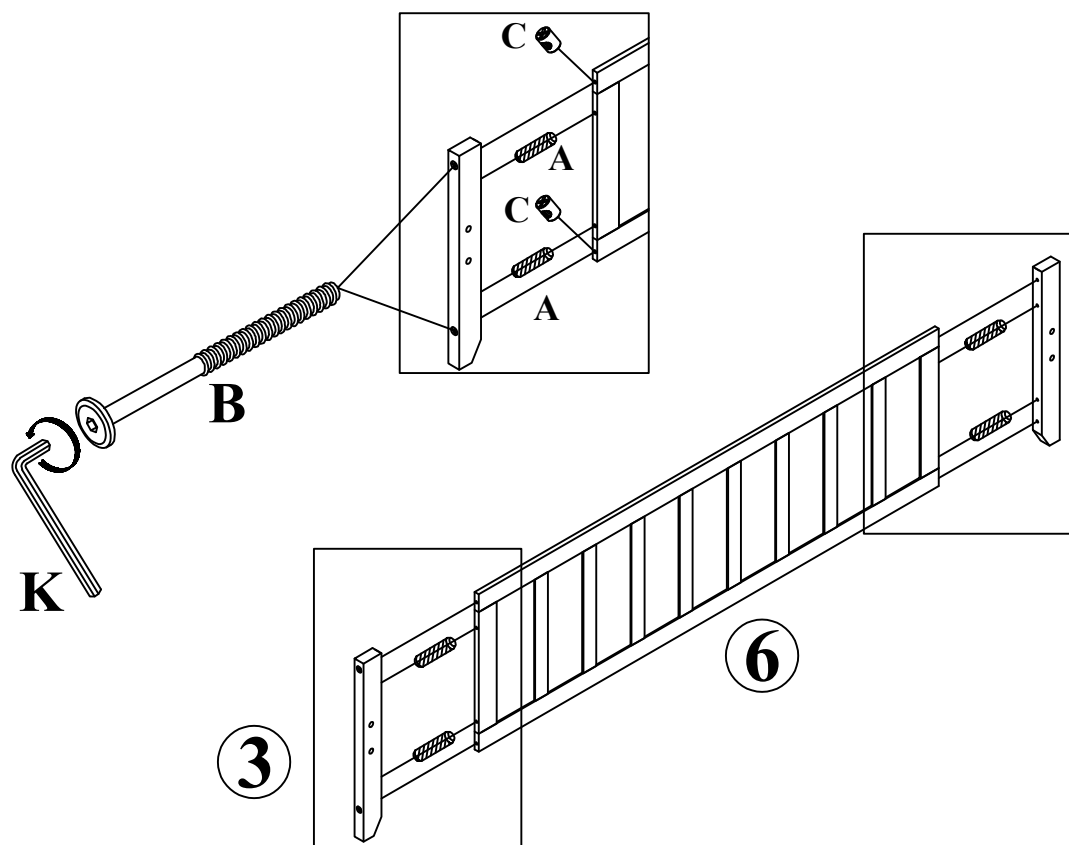
<b>C</b>	
4pcs	


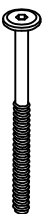
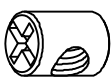
# Step 2:

<b>D</b>	
3pcs	

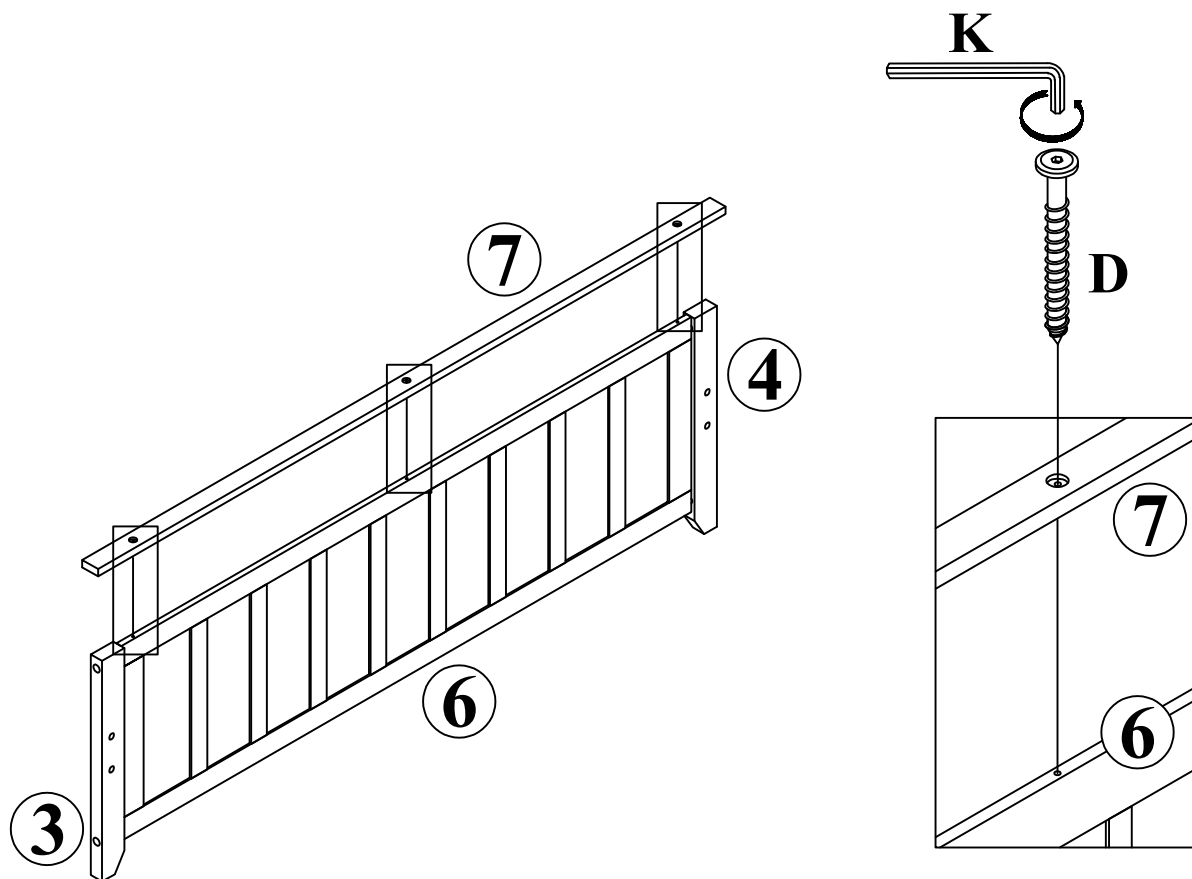



### Step 3:



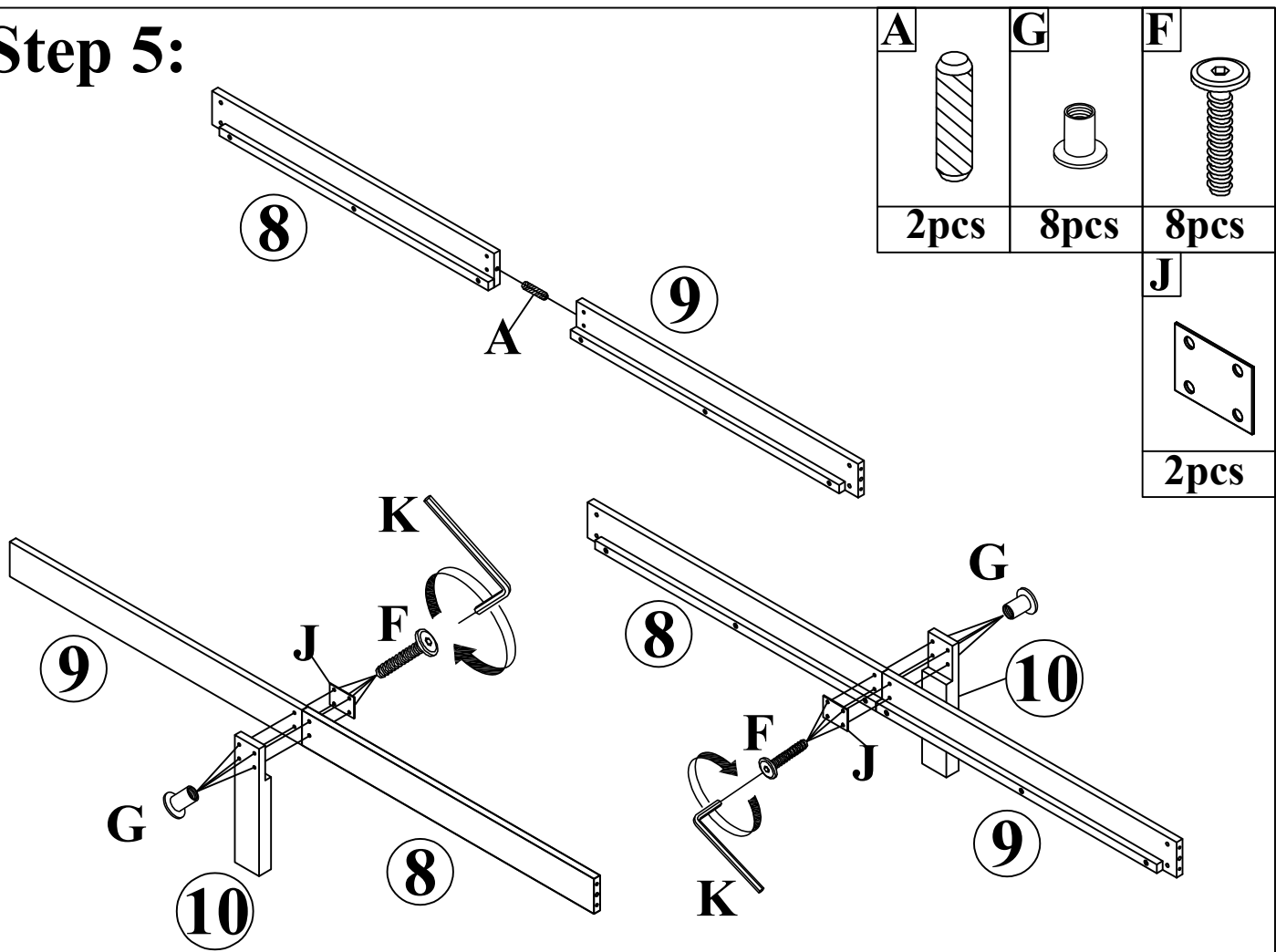
<b>A</b> 	<b>B</b> 
4pcs	4pcs
<b>C</b> 	
4pcs	

### Step 4:

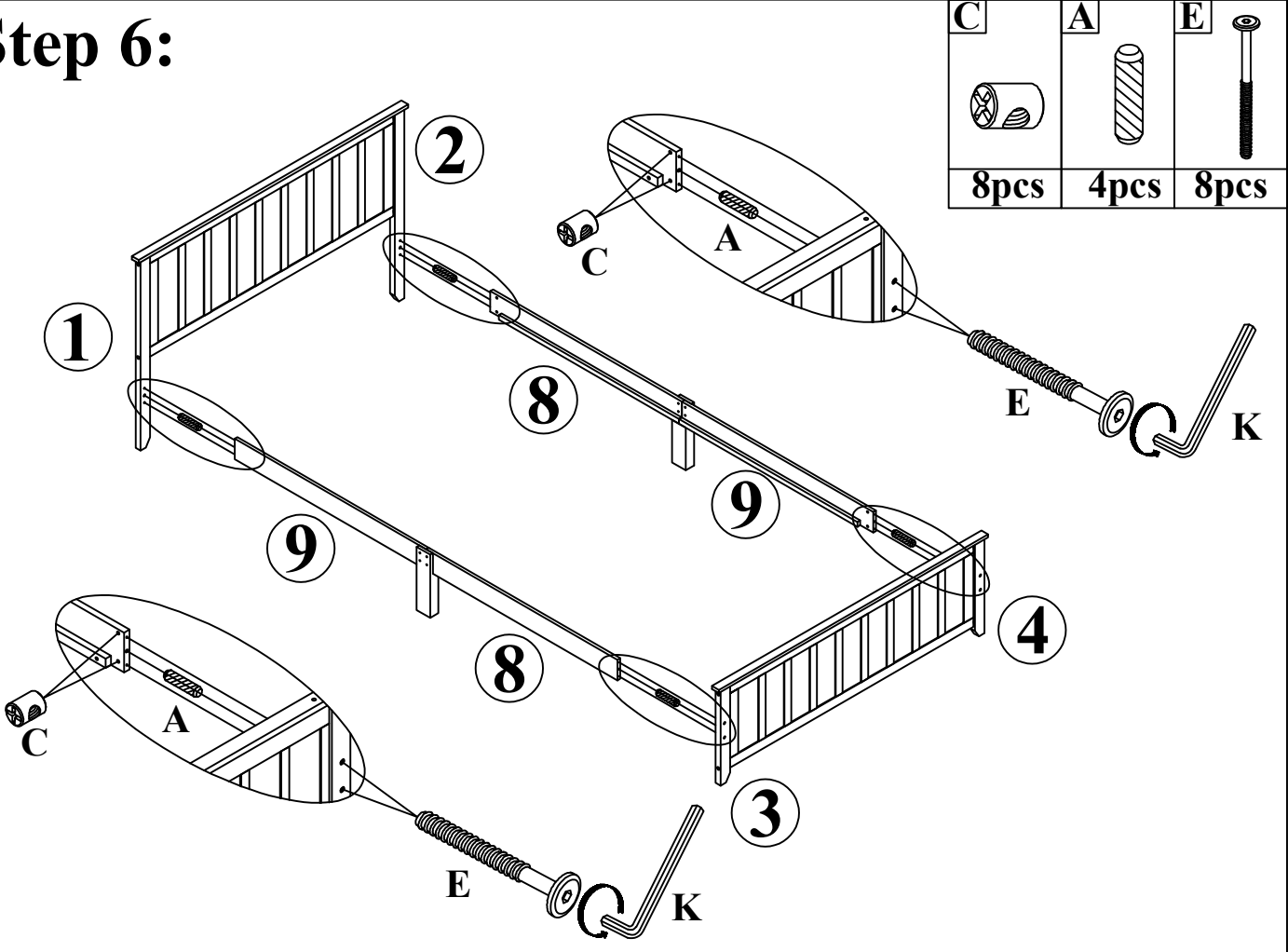


<b>D</b> 
3pcs

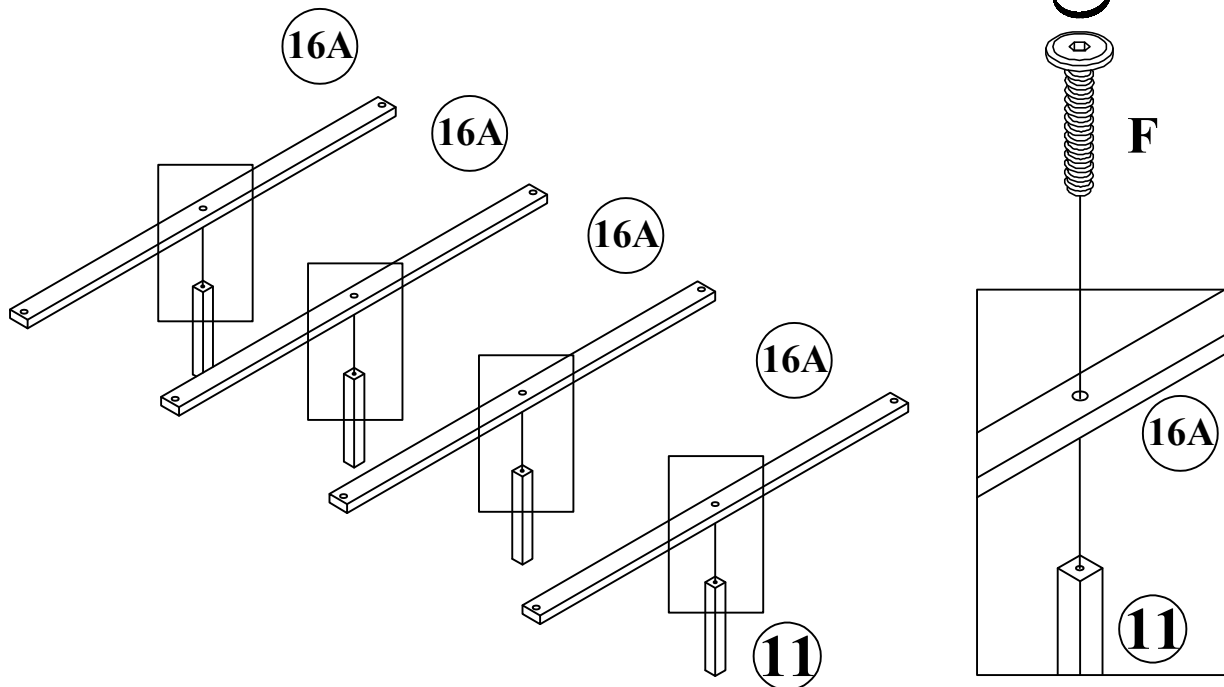
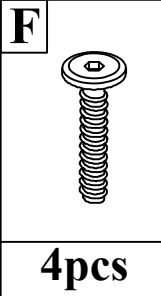
# Step 5:



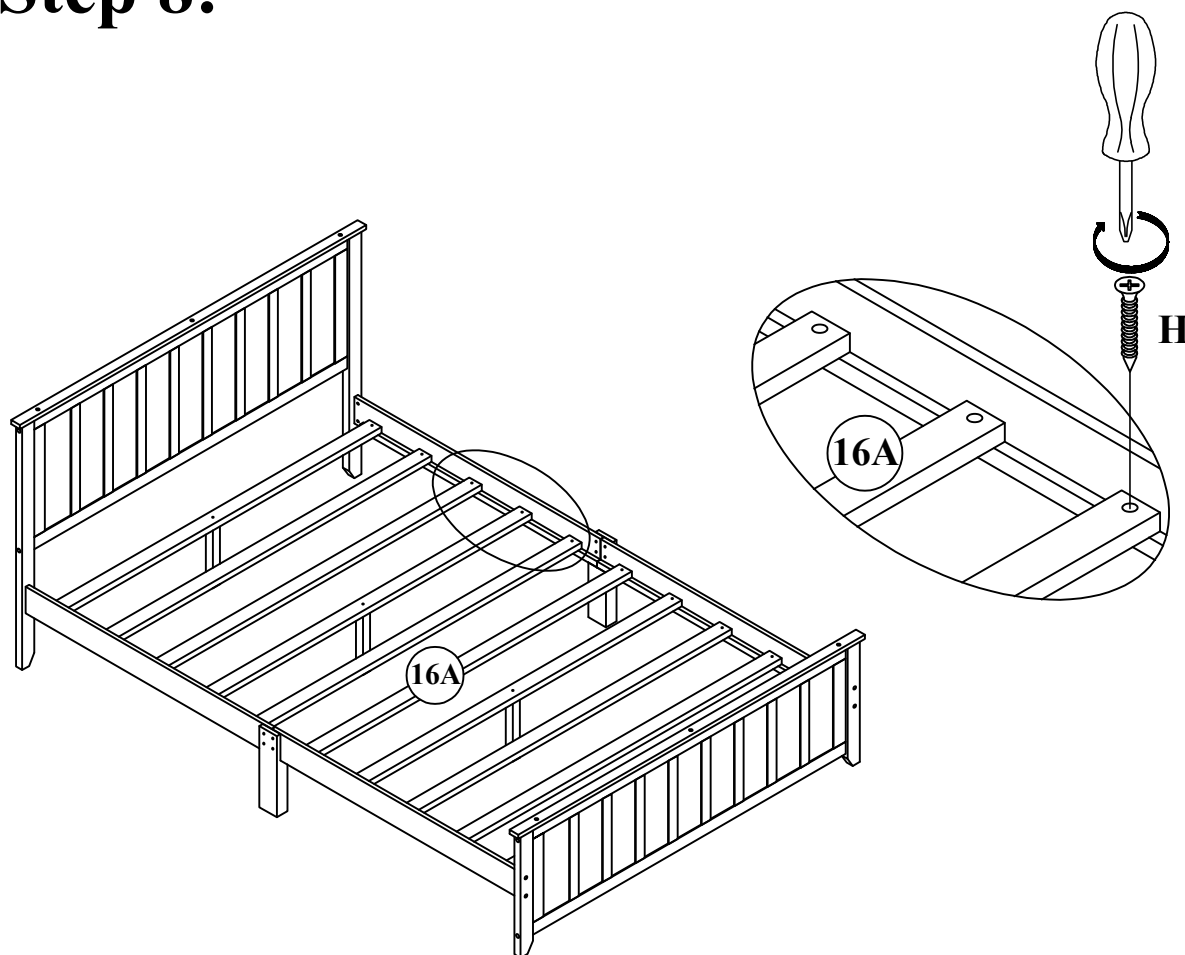
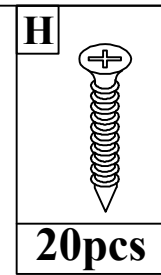
# Step 6:



# Step 7:



# Step 8:





# COMPLETED

