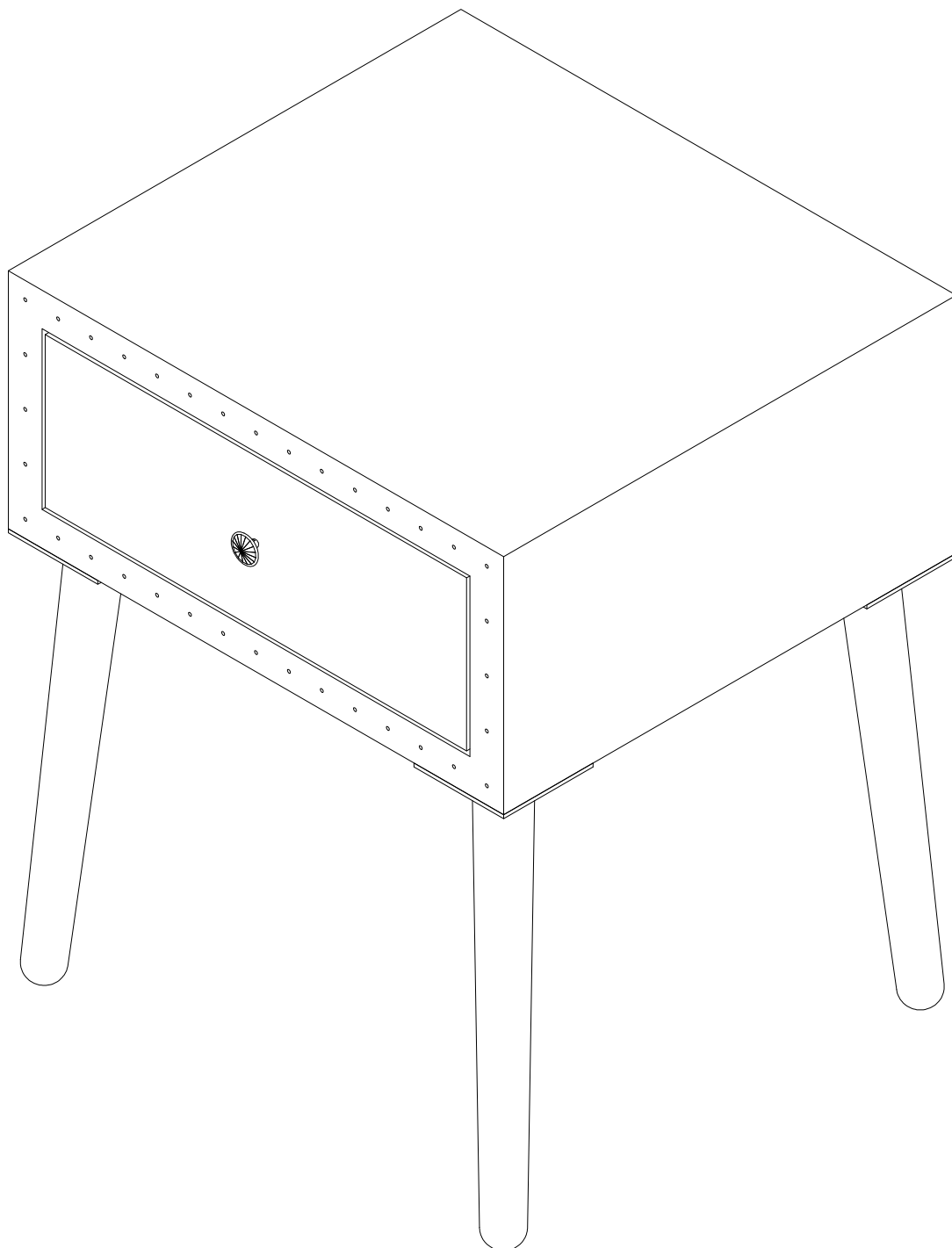
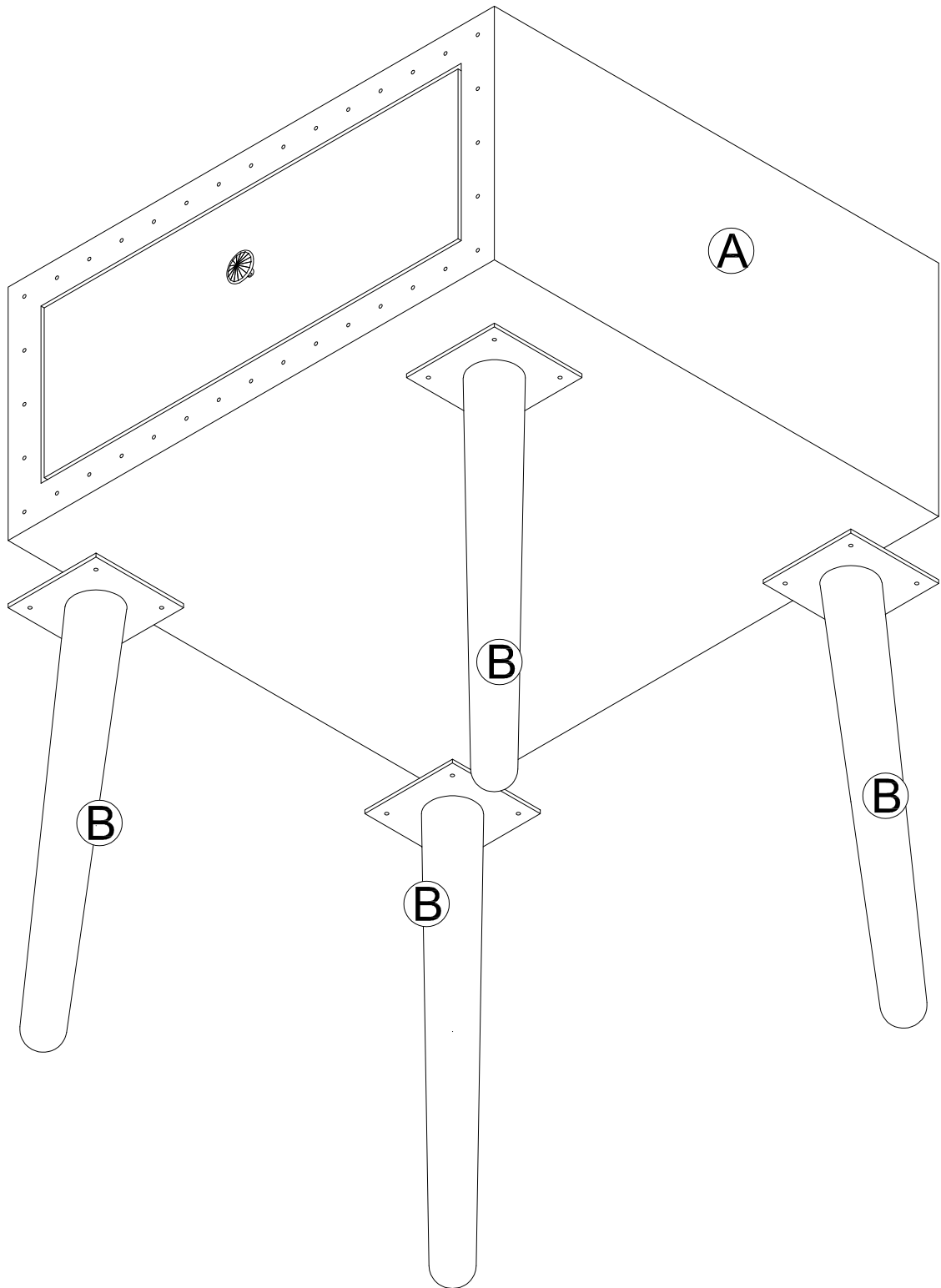


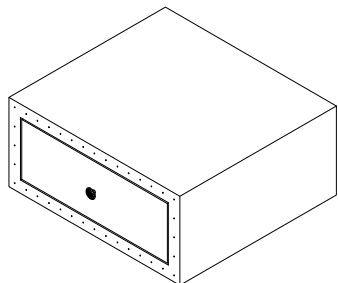
# ASSEMBLY INSTRUCTION (WF322806)





# Part List (WF322806)

**A**



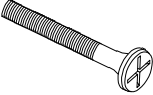
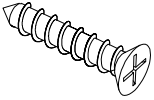
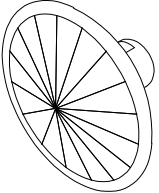
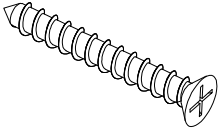
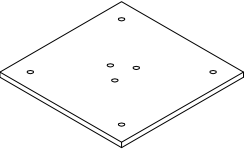
NIGHTSTAND - 1pc (2x)

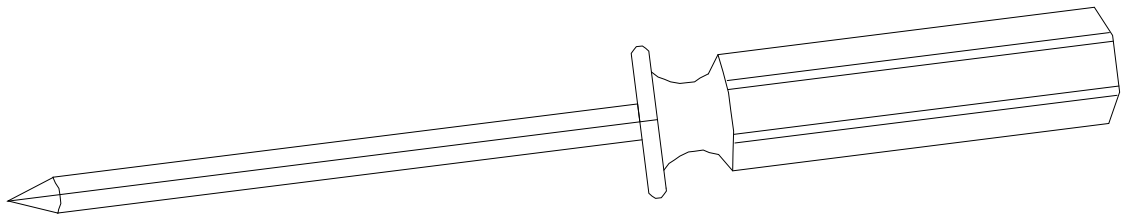
**B**



WOODEN LEG - 4pcs (2x)

# Hardware List (WF322806)

<p><b>1</b></p>  <p>THMS M4 x 30mm - 1pc (2x)</p>	<p><b>2</b></p>  <p>CSK SCREW M4 x 16mm - 16pcs (2x)</p>	<p><b>3</b></p>  <p>DIAMOND HANDLE - 1pc (2x)</p>
<p><b>4</b></p>  <p>CSK SCREW M4 x 30mm - 12pcs (2x)</p>	<p><b>5</b></p>  <p>WOODEN LEG METAL - 4PCS (2x)</p>	

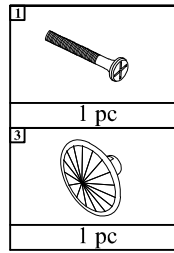
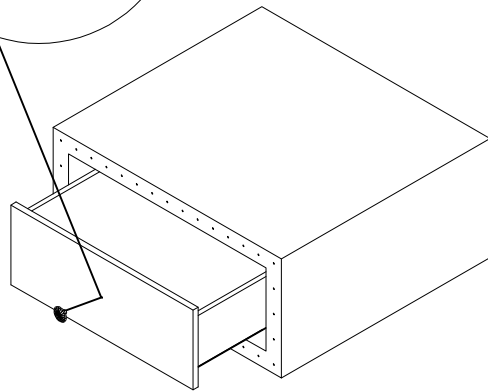
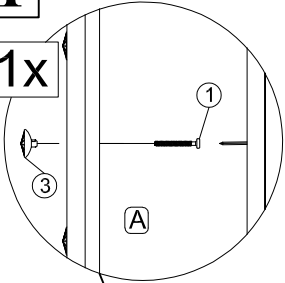


Assembly Tools  
Required (Not Included)

# Assembly Step

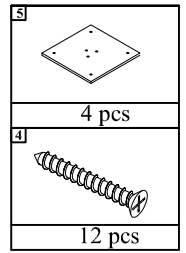
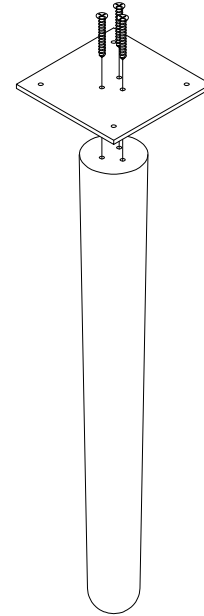
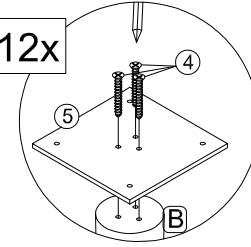
1

1x



2

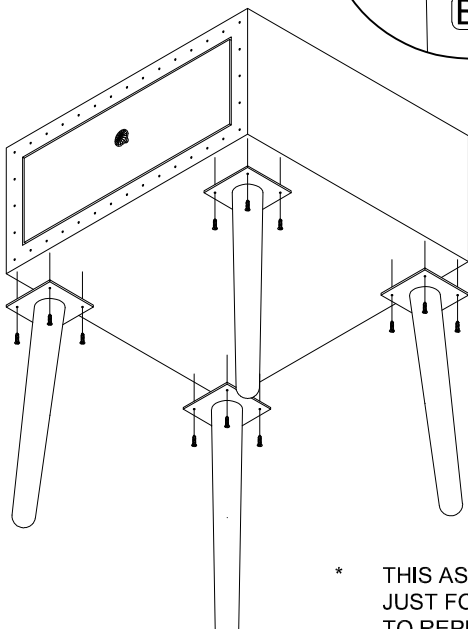
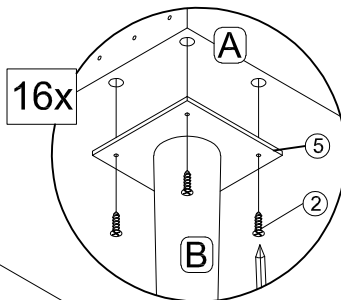
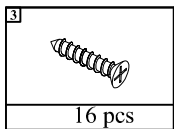
12x



- \* ALL WOOD LEG HAS IN THE DRAWER
- \* THE DIAMOND HANDLE TIED ON THE CUSHION WITH ROPE

- \* THERE IS 4 x LEG PER SET THAT WILL NEED TO BE TIE UP

3



- \* THIS ASSEMBLY STEP JUST FOR ONE, NEED TO REPEAT 2x

## FULLY COMPLETED ASSEMBLY

