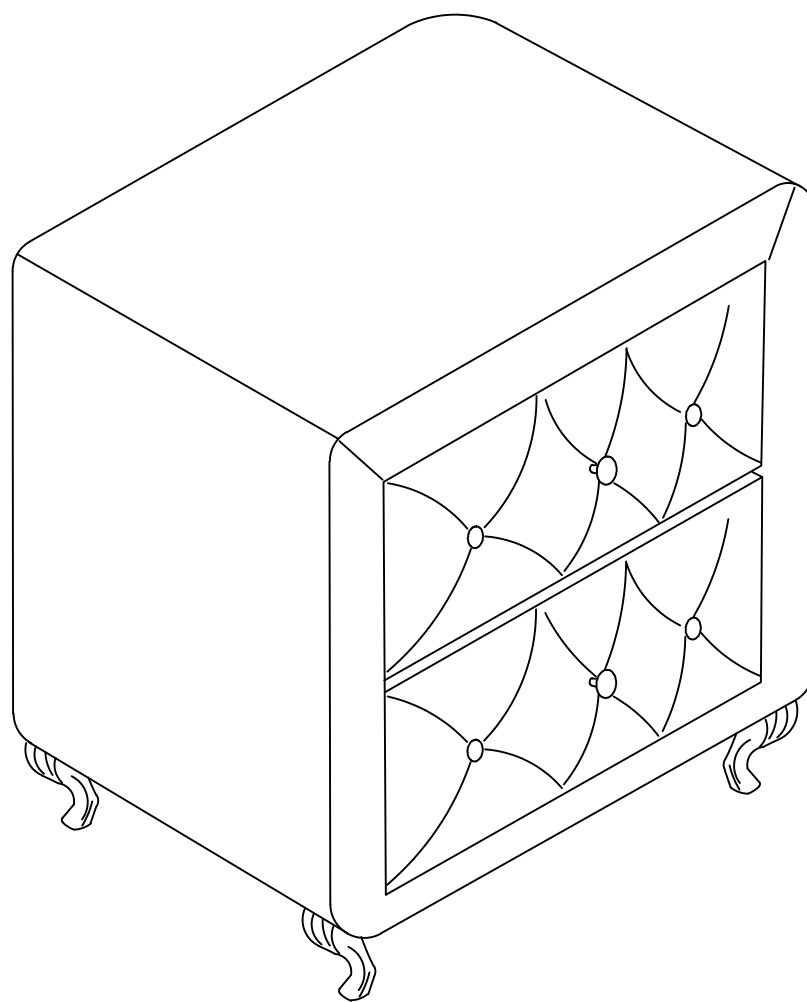


ASSEMBLY INSTRUCTION

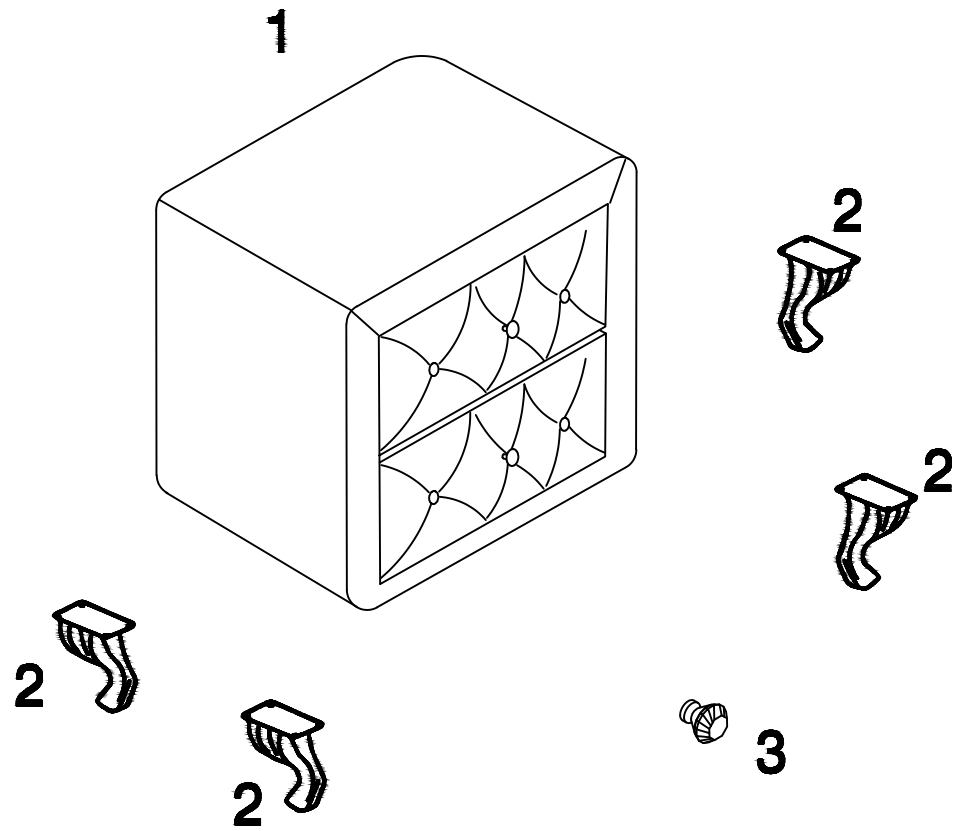
2 - DRAWER NIGHTSTAND

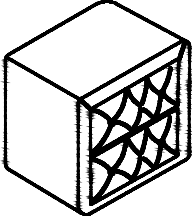


WF305129AAB

- IMPORTANT NOTE * PLEASE CHECK ALL PARTS CAREFULLY BEFORE YOU START THE ASSEMBLY OF YOUR FURNITURE
- * PLACE ALL PARTS ON A CLEAN AND FLAT SOFT SURFACE TO PREVENT SCRATHES.
 - * KINDLY FOLLOW THE ASSEMBLY INSTRUCTIONS STEP BY STEP.



Parts



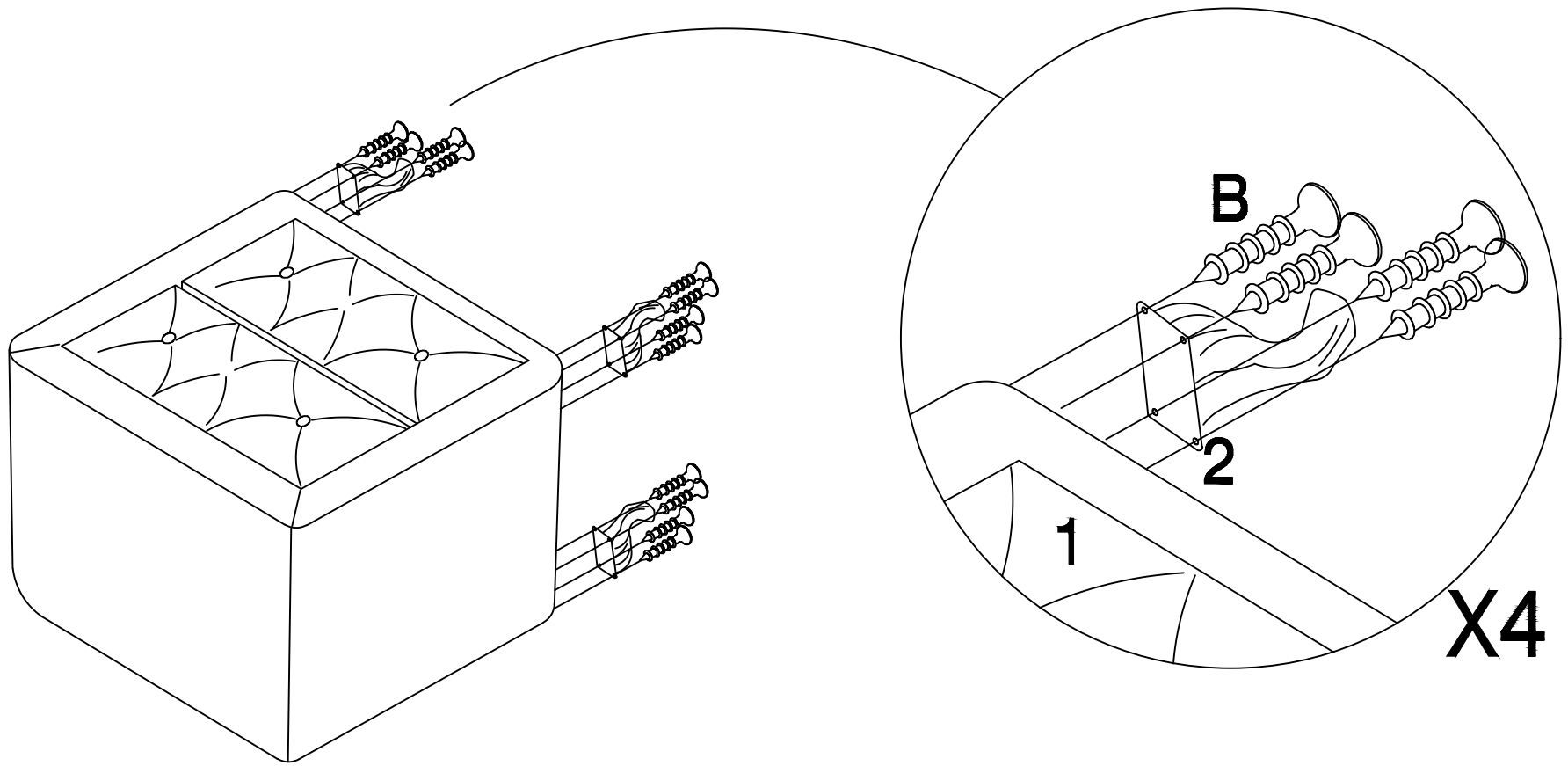
 <p>1. nightstand x1</p>	 <p>2. feet x4</p>	 <p>3. bedside's handle x2</p>
---	---	---

Fittings

Code	Description	Qty	Code	Description	Qty
A	Bolt (M4x40mm)	x2	B	Screw (M4x20mm)	x16

Additional Tools Required

1 fix feet (2) to the nightstand (1).



2 First remove the handle (3) inside the drawer, and then use screws (A) to secure the handle (3) to the outside of the drawer on the bedside table (1).

