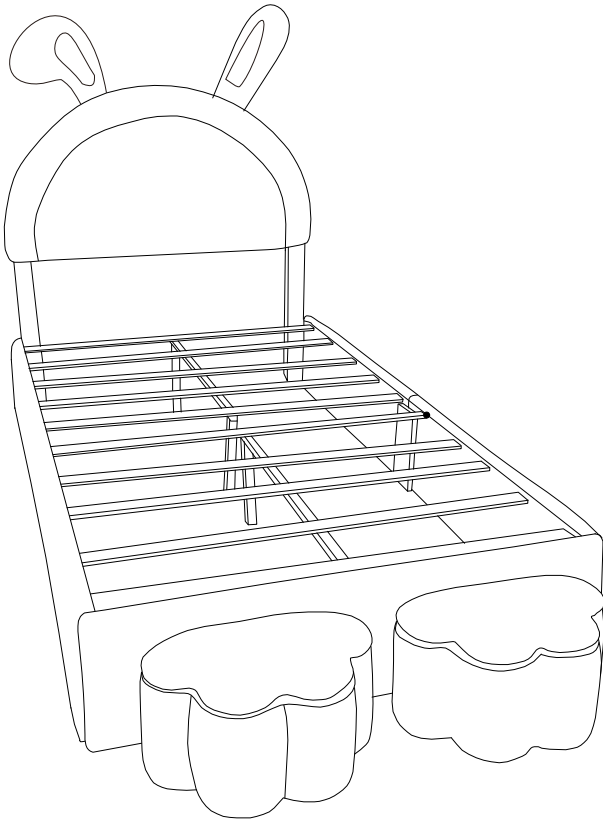


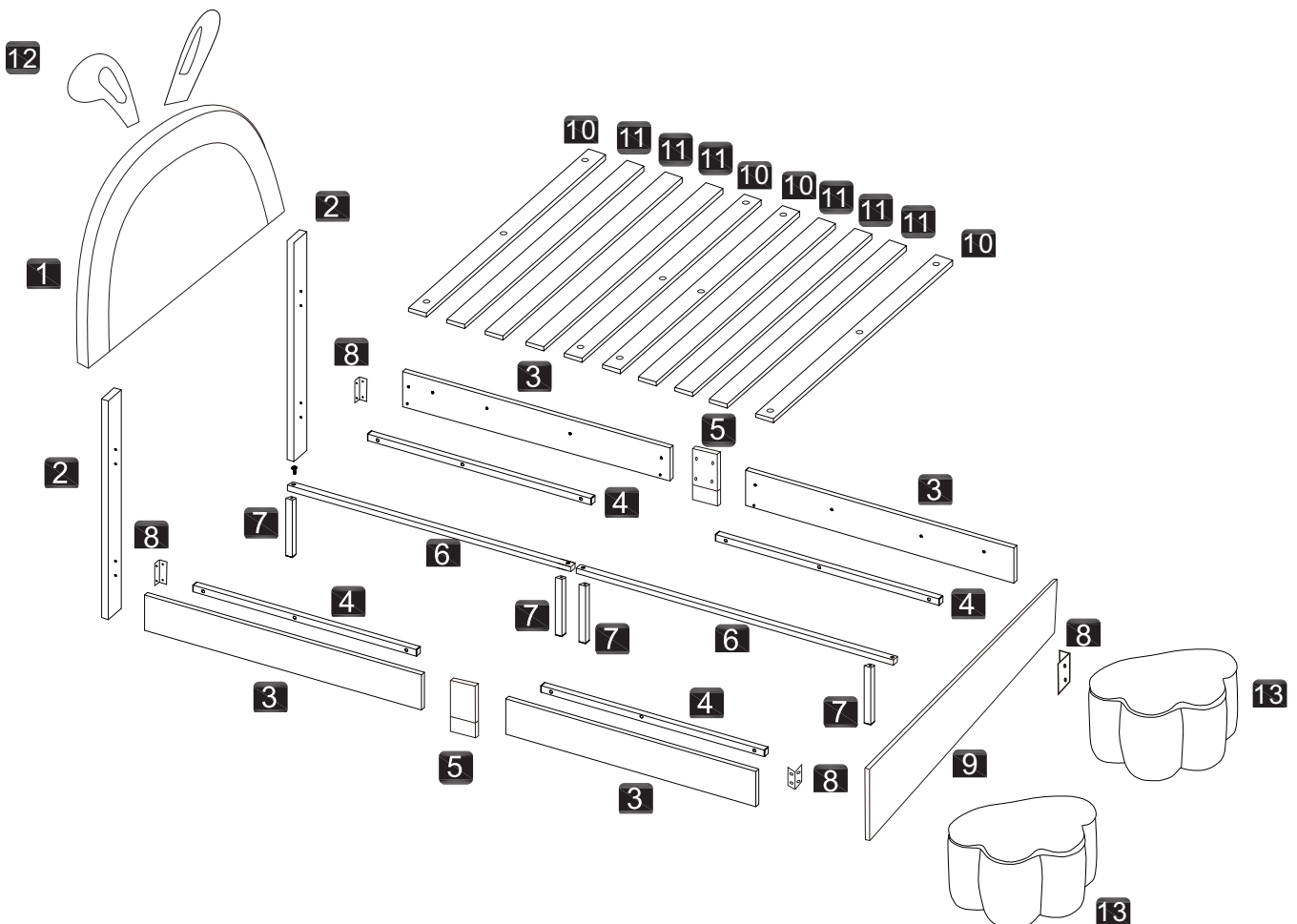
# ASSEMBLY INSTRUCTION

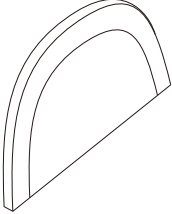

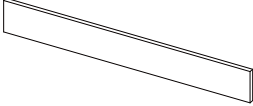
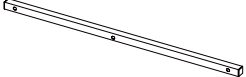
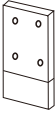



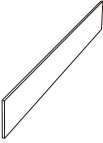
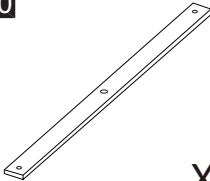
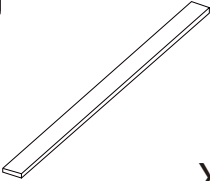

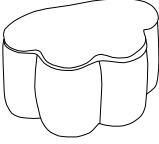
N733P171431/N733P171450



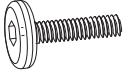
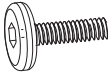
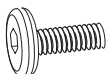
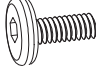
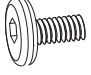


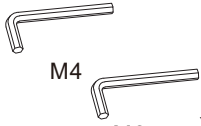
## TIPS

1. Please read the instructions fully before assembly. These instructions include important information which could ensure correct assembly. We have been working on providing high quality products for you. However, in the rare instance that your product is defective, missing parts or there are some issues, please don't hesitate to contact our customer service to submit parts requirements, assembly suggestion, or warranty claims, and we will give the best solution as soon as possible. If necessary, we need you to provide some more clear pictures of the issue.
2. Insert the screws in holes and tighten the screws, but not too tight, 70%~80% is ok, finally tighten all the screws. If some issues happened that some screws can not target to the hole or some parts are difficult to install, please adjust the tightness of the screws.
3. 2 people are recommended to finish




<b>1</b>  X1	<b>2</b>  X2	<b>3</b>  X4	<b>4</b>  X4
<b>5</b>  X2	<b>6</b>  X2	<b>7</b>  X4	<b>8</b>  X4
<b>9</b>  X1	<b>10</b>  X4	<b>11</b>  X6	<b>12</b>  X1
<b>13</b>  X2			

## Hardware List


<b>A</b>  M6*45mm X4	<b>B</b>  M6*40mm X4	<b>C</b>  M6*35mm X12	<b>D</b>  M6*30mm X12
<b>F</b>  M6*20mm X16	<b>G</b>  M8*22mm X28	<b>H</b>  M4*25mm X8	<b>I</b>  M4 X2 M6 X2


# Step1:

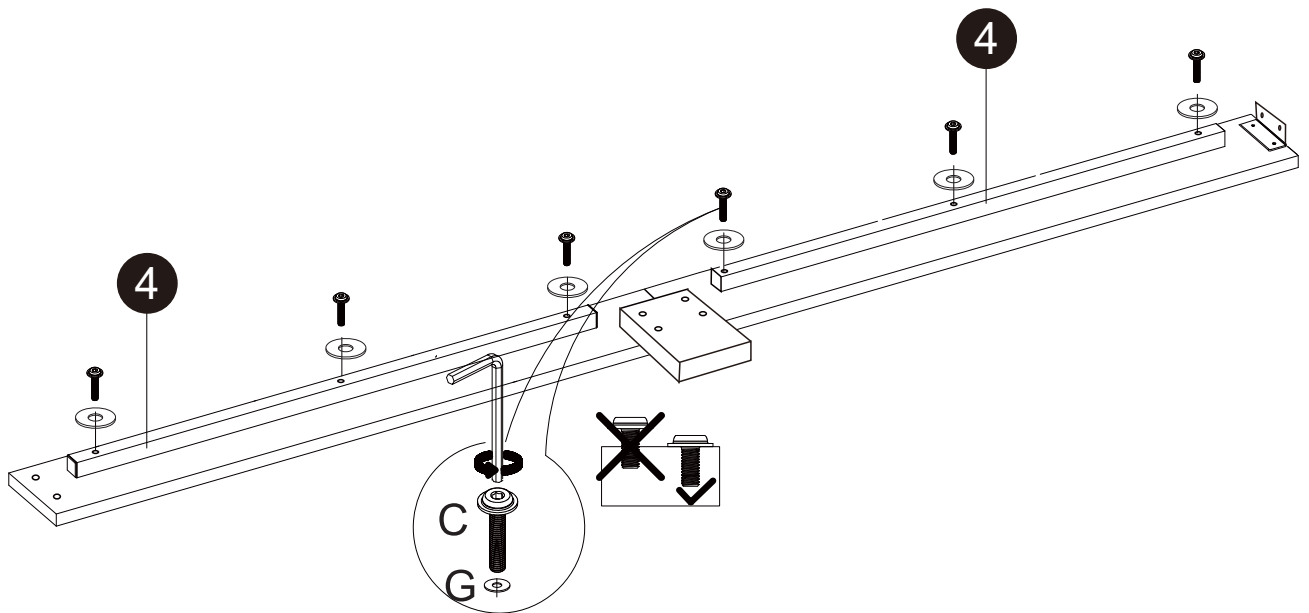
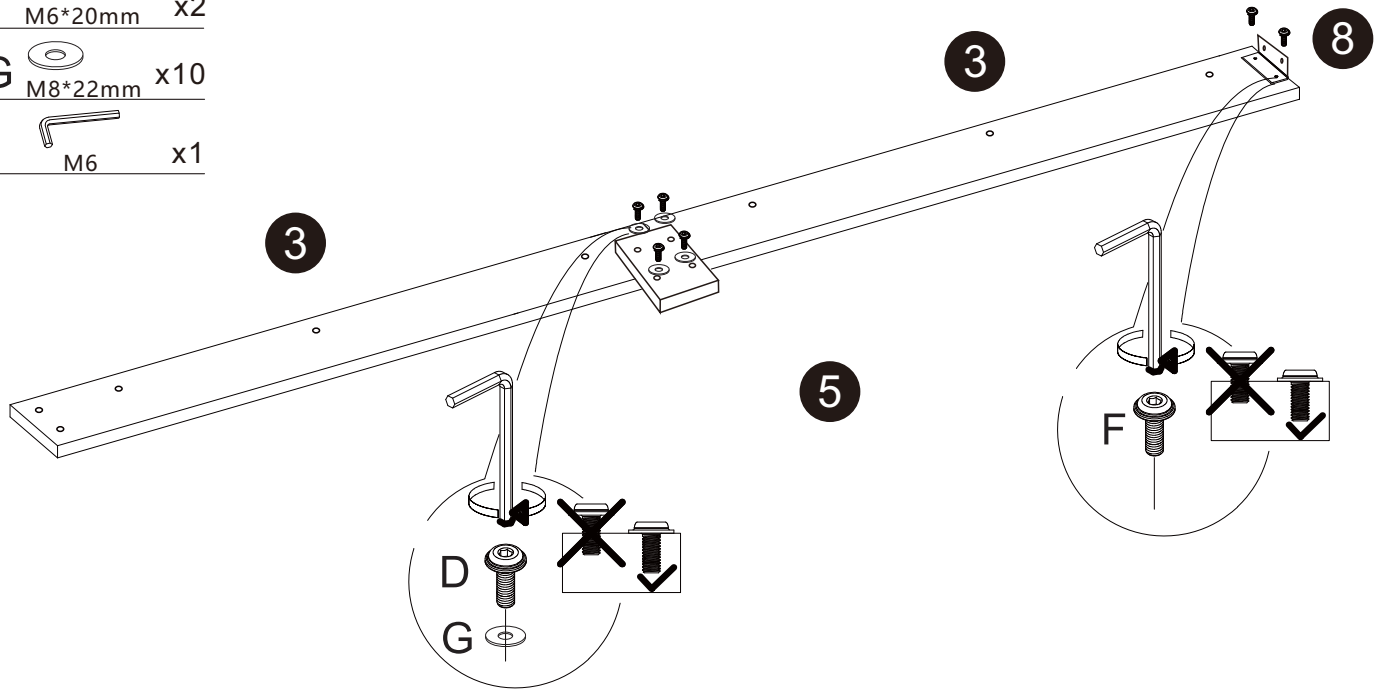
**C**  M6\*35mm x6

**D**  M6\*30mm x4


**F**  M6\*20mm x2


**G**  M8\*22mm x10

**I**  M6 x1





## Step2:

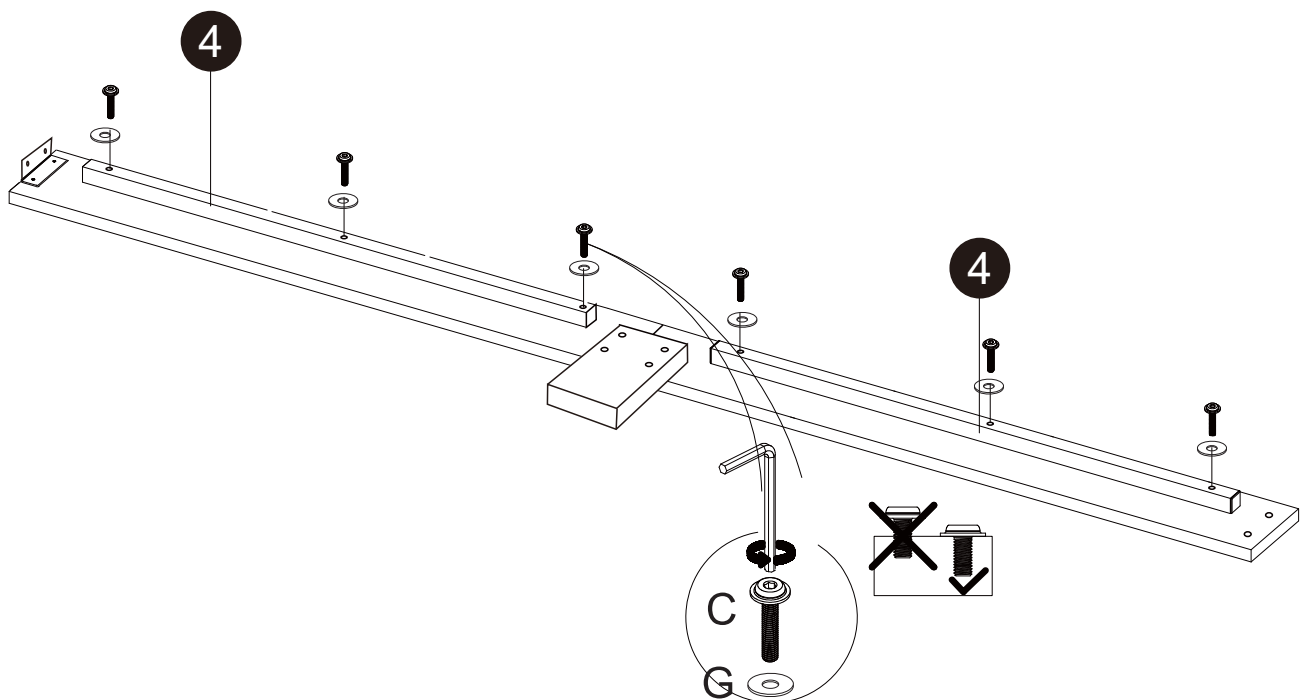
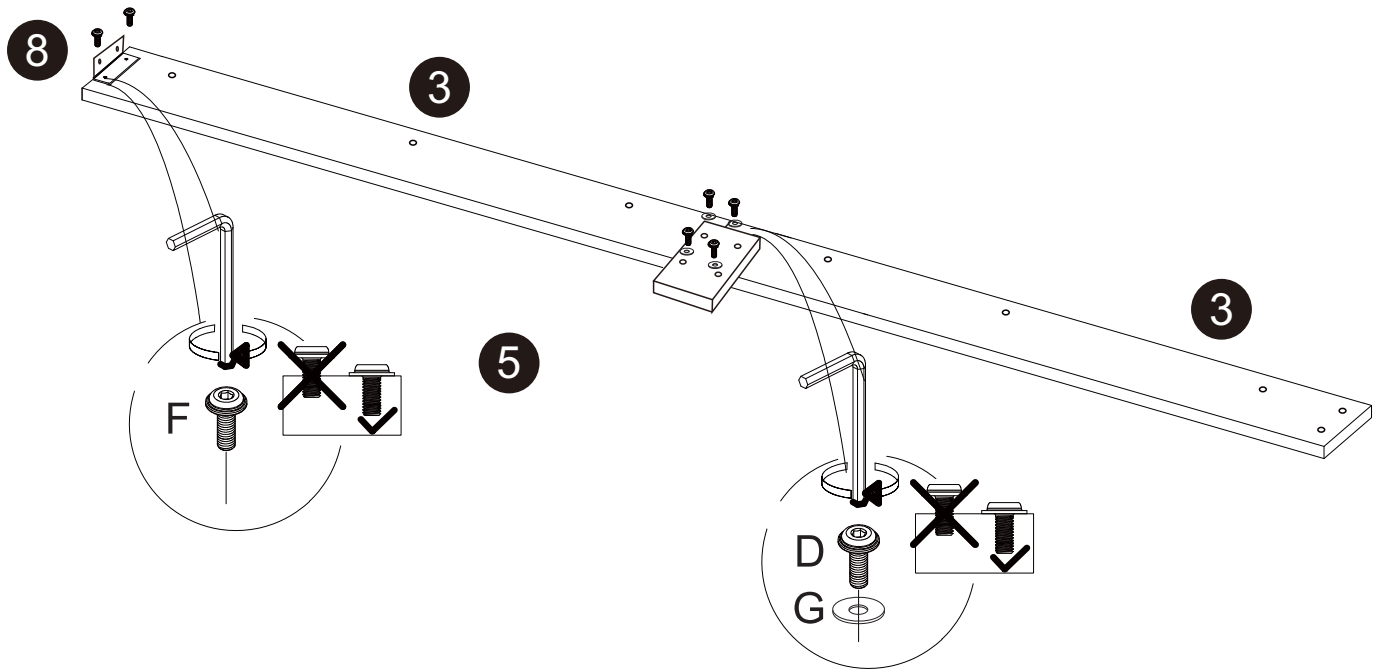
**C**  x6  
M6\*35mm

**D**  x4  
M6\*30mm

**F**  x2  
M6\*20mm

**G**  x10  
M8\*22mm

**I**  x1  
M6




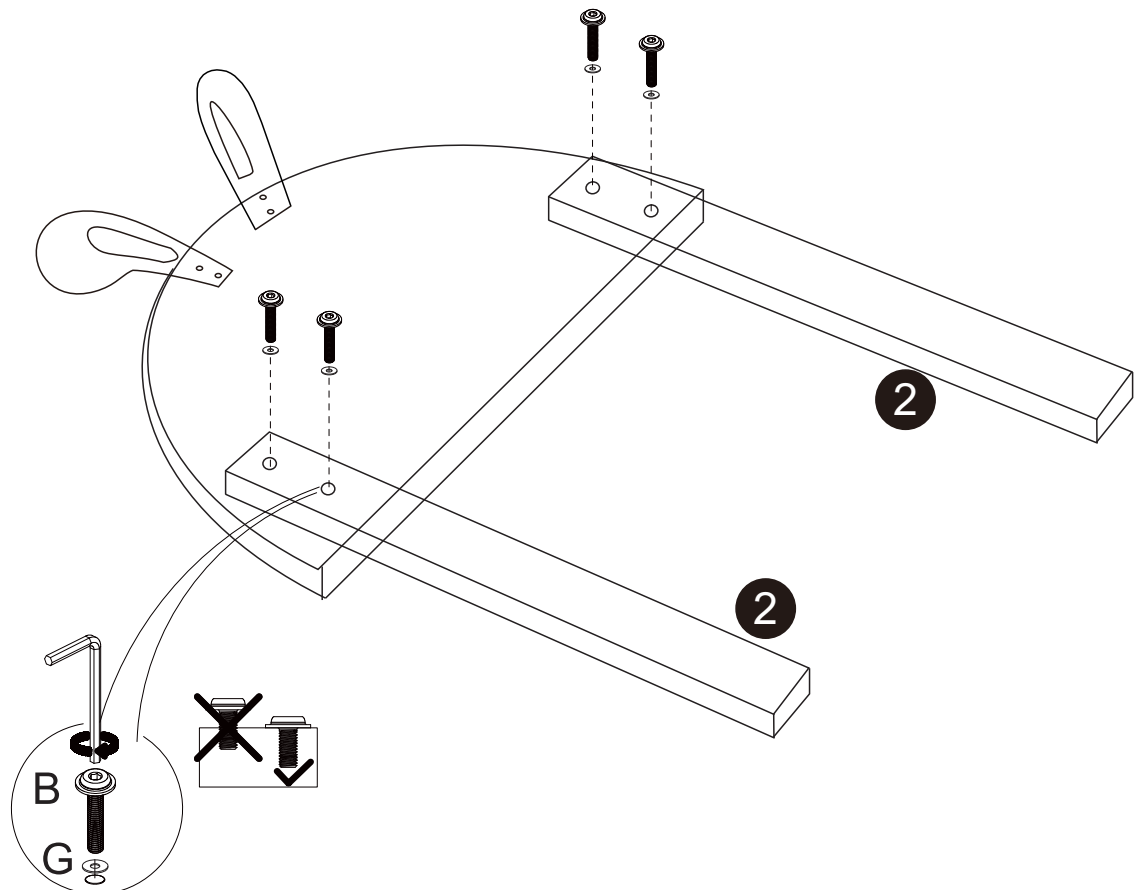
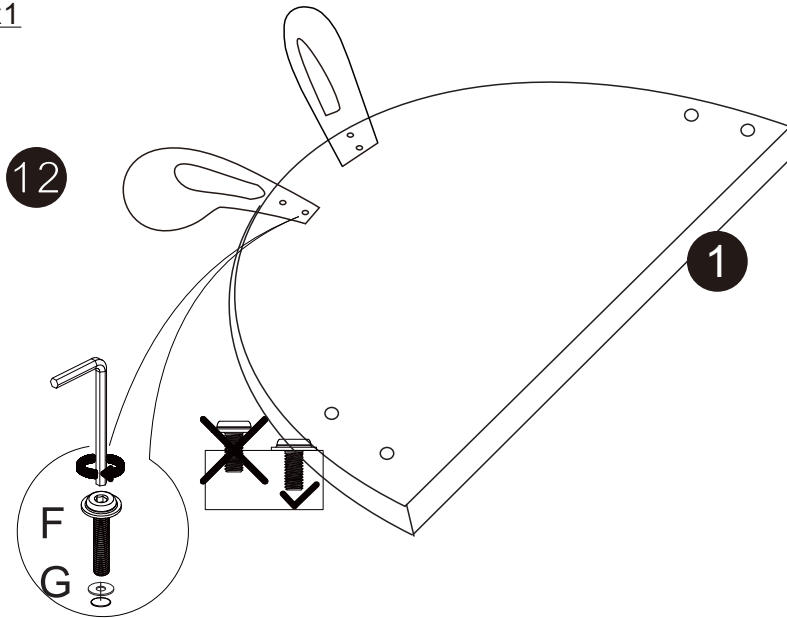
# Step3:

**B**  M6\*40mm x4



**F**  M6\*20mm x4

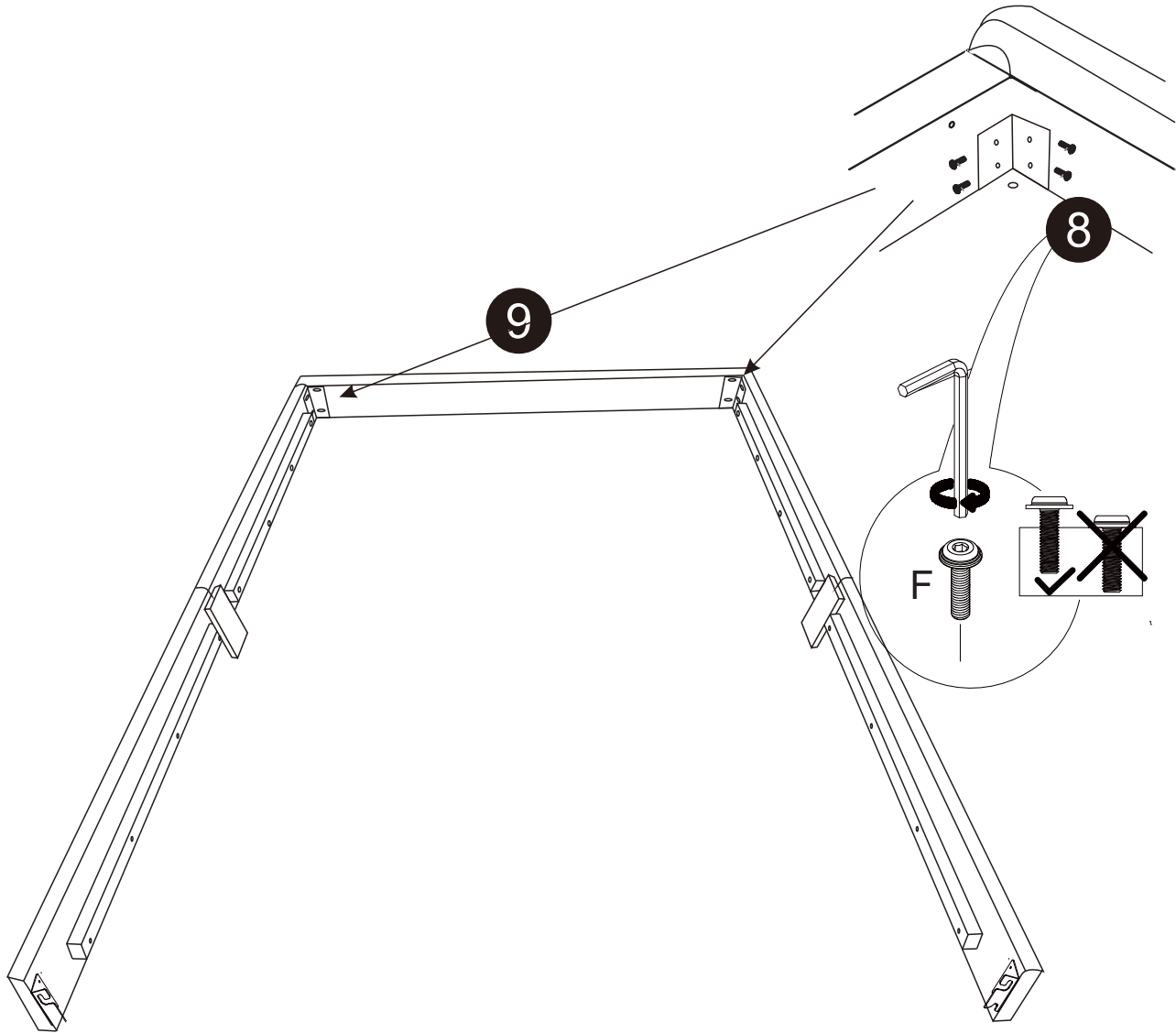
**G**  M8\*22mm x8

**I**  M6 x1





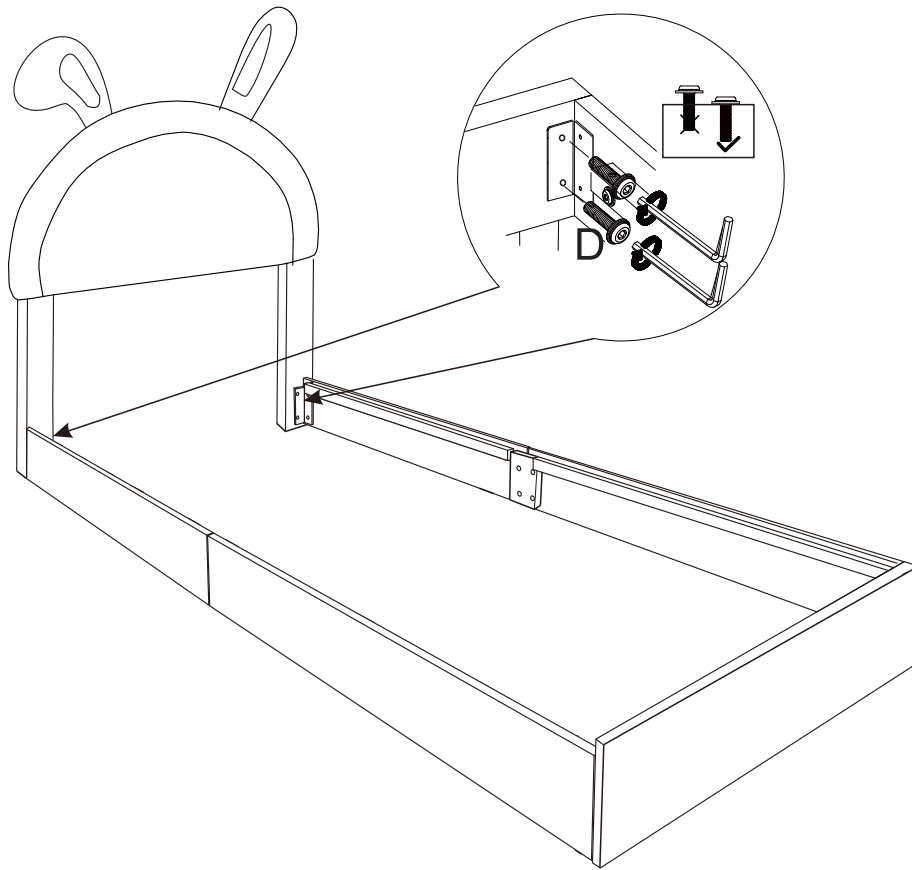
# Step4:

- F**  M6\*20mm x8
- I**  M6 x1





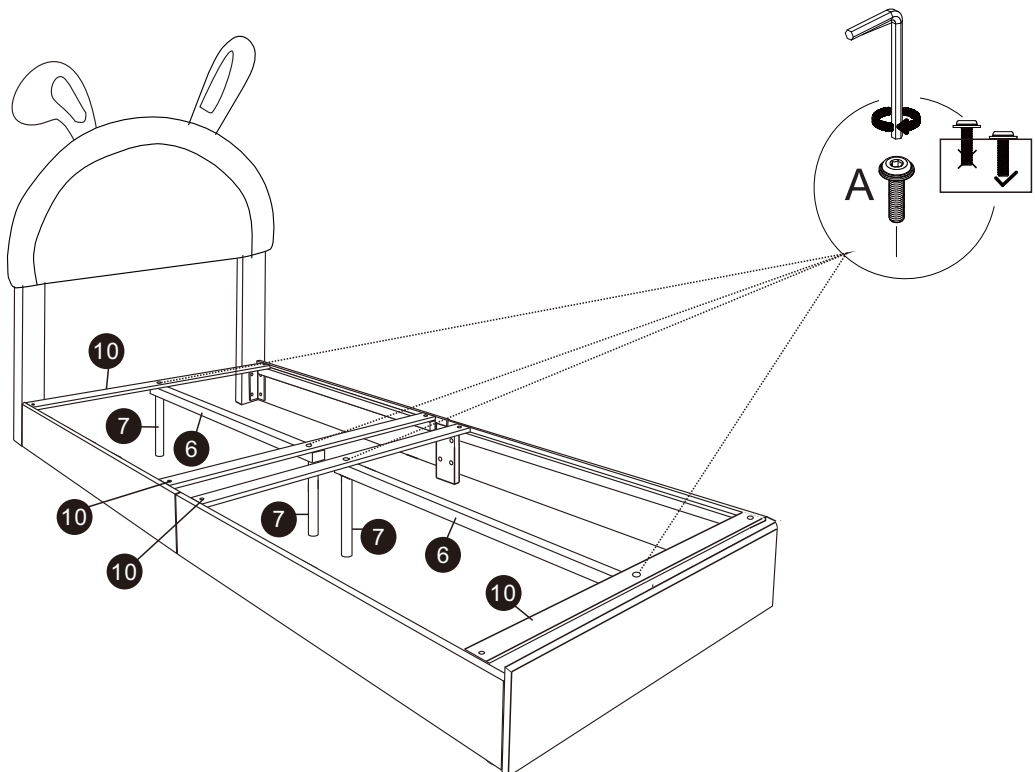
## Step5:

**D**  M6\*30mm x4  
**I**  M6 x1





## Step6:

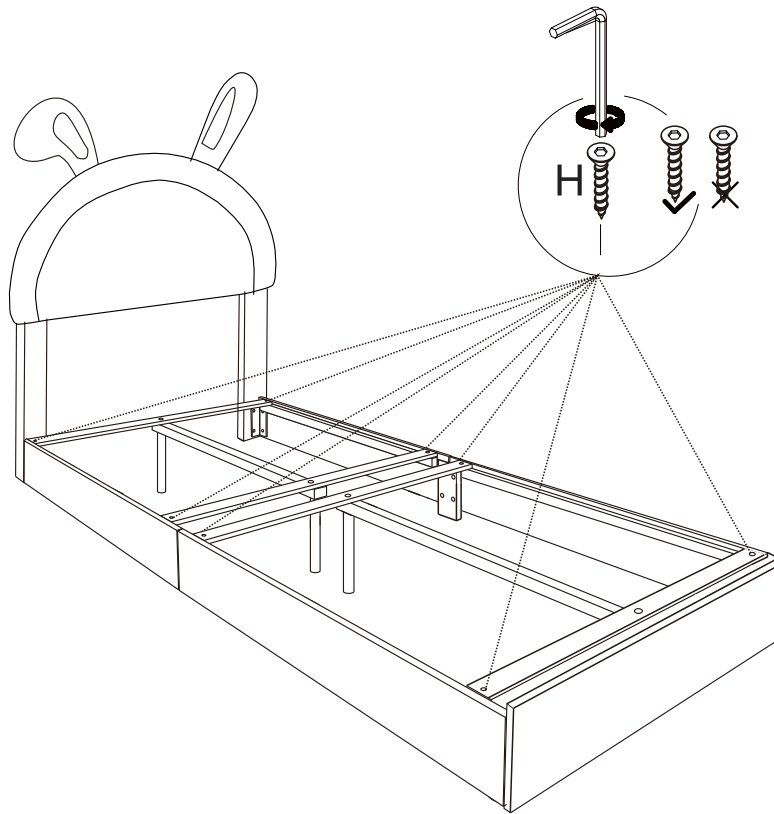
**A**  M6\*45mm x4  
**I**  M6 x1



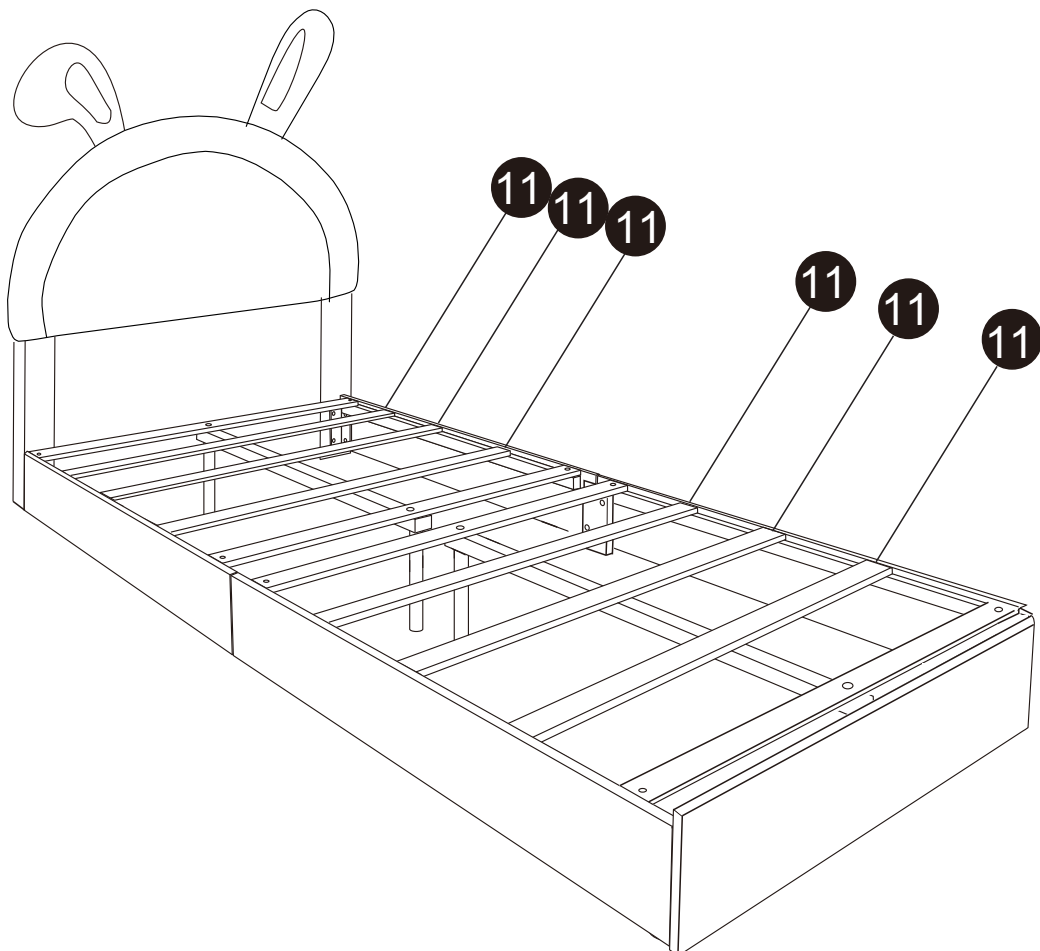
## Step7:

H   
M4\*25mm X8

I   
M4 X1



## Step8:





Step9:

