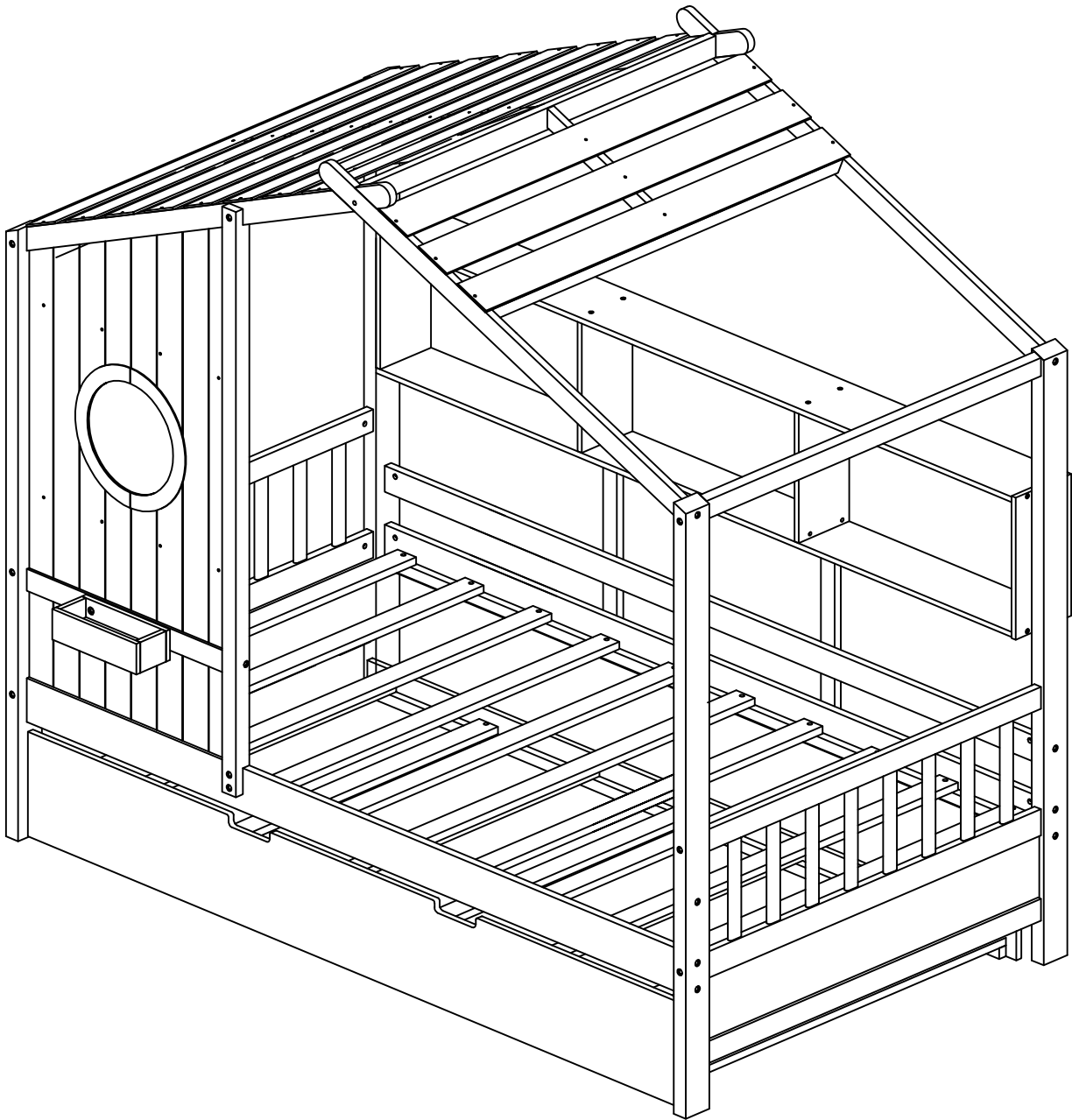
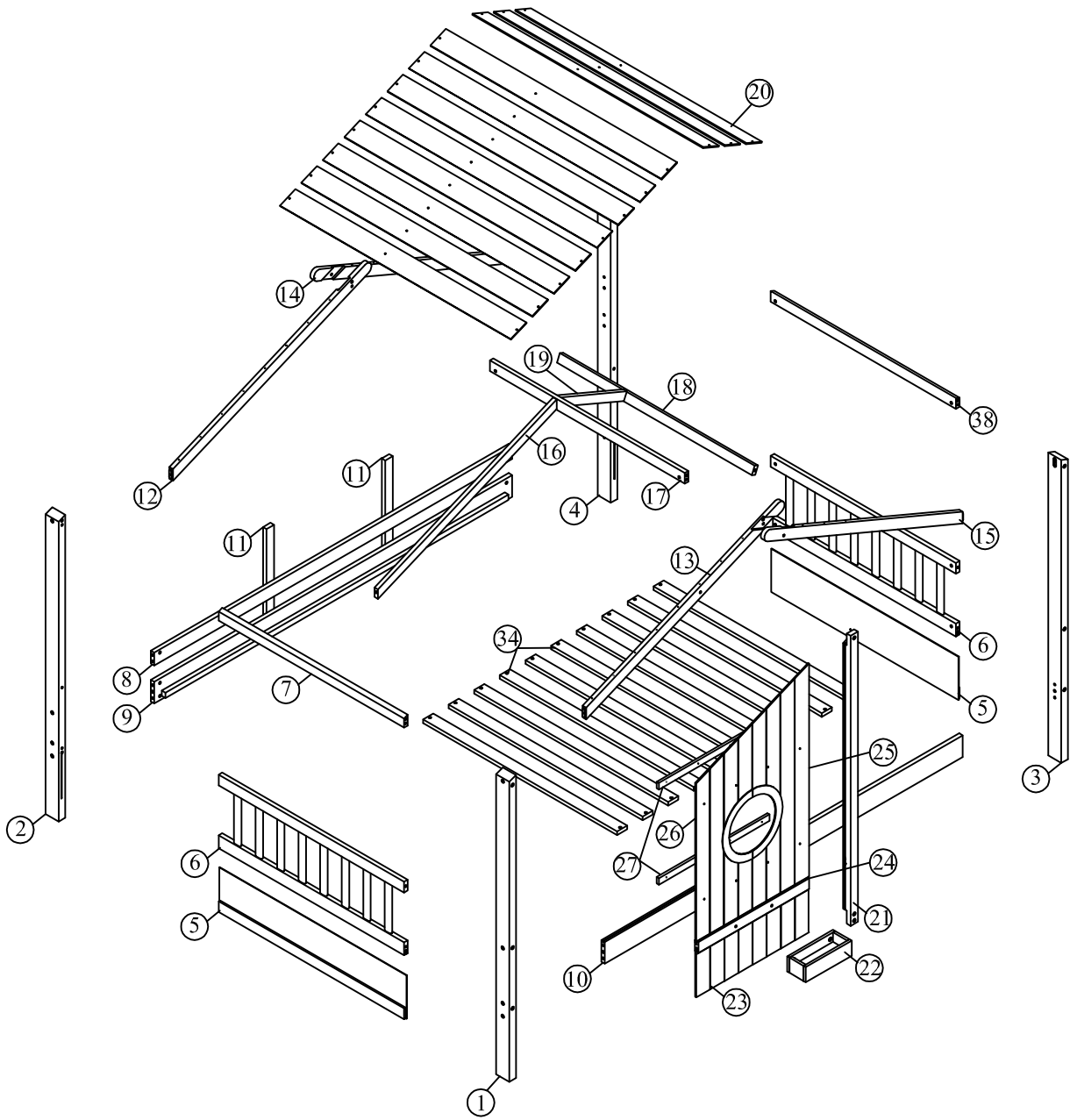


ASSEMBLY INSTRUCTION

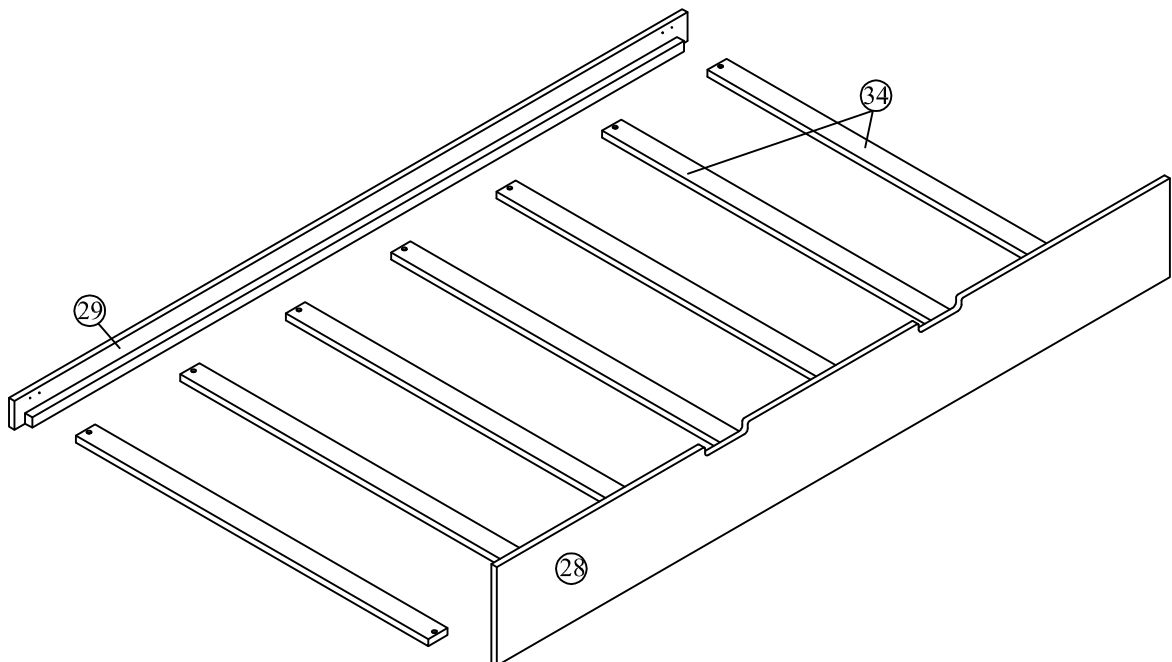
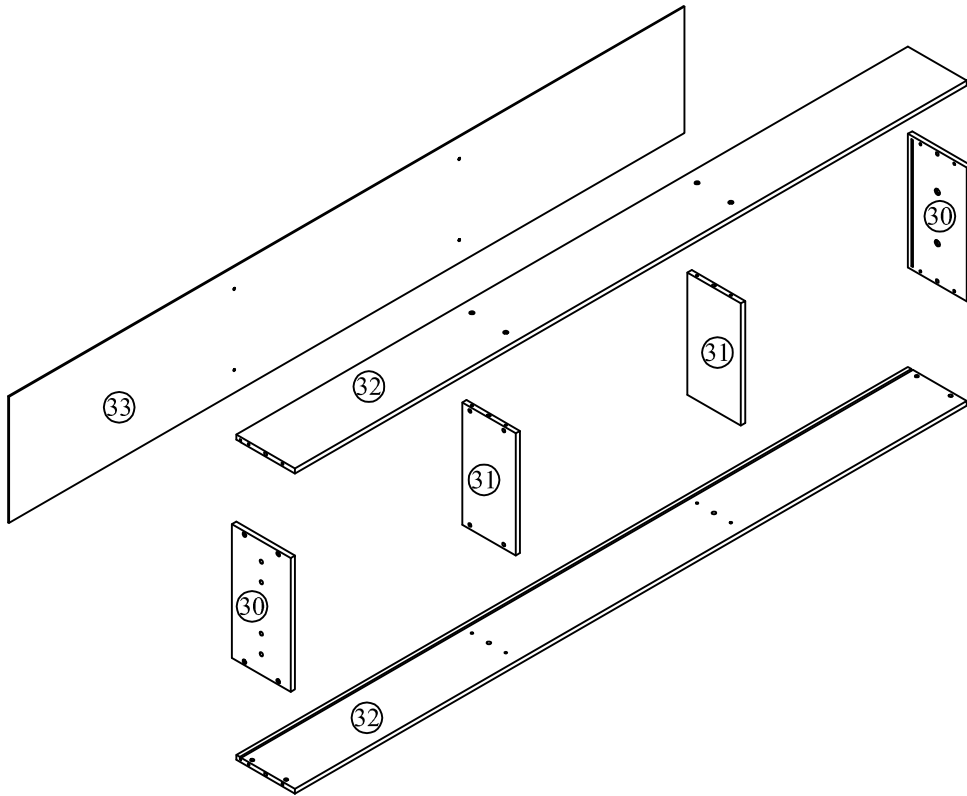
SKU CODE: WF324638/WF324639



Detail view

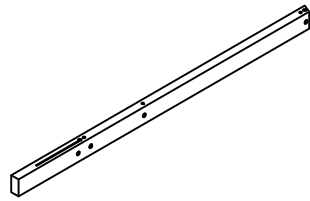


Detail view



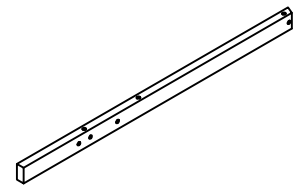
Part List (WF324638)

① x1



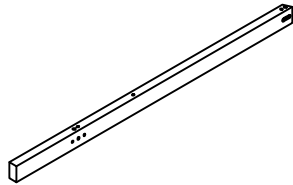
Front Left Leg

② x1



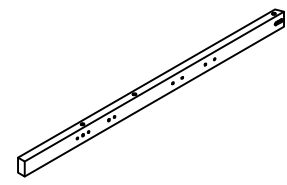
Back Left Leg

③ x1



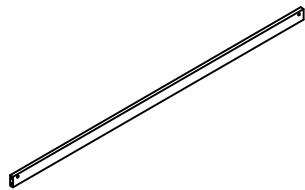
Front Right Leg

④ x1



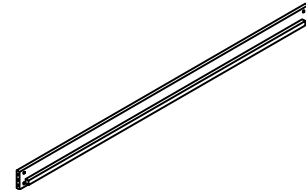
Back Right Leg

⑧ x1



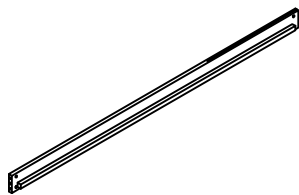
Guard Side Rail

⑨ x1



Side Rail

⑩ x1



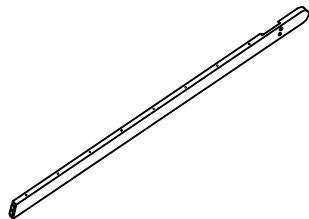
Side Rail

⑪ x2



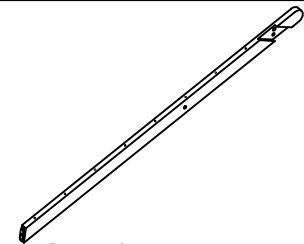
Support Side Rail

⑫ x1



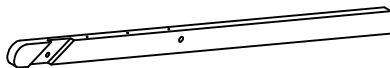
Back Left Roof Rail

⑬ x1



Front Left Roof Rail

⑭ x1



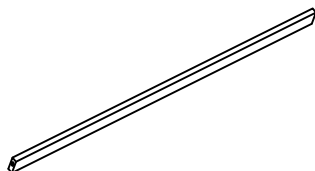
Back Right Roof Rail

⑮ x1



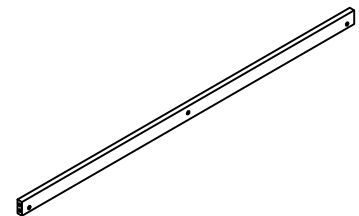
Front Right Roof Rail

⑯ x1



Roof Rail

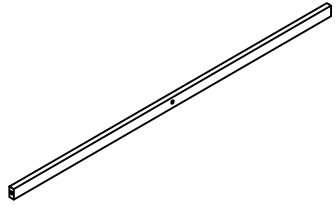
⑰ x1



Roof Rail

Part List (WF324638)

18 x1



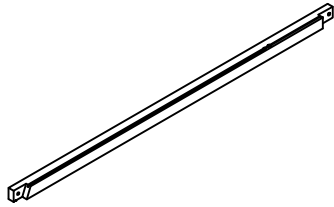
Roof Rail

19 x1



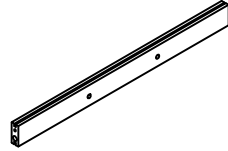
Roof Rail

21 x1



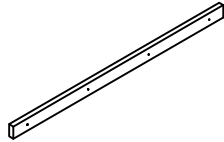
Front Vertical Post

24 x1



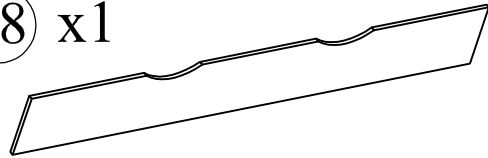
Frame Panel

27 x2



Frame Panels

28 x1



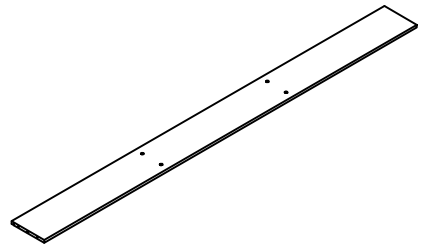
Front Trunle

29 x1



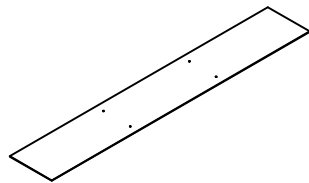
Back Trunle

32 x2



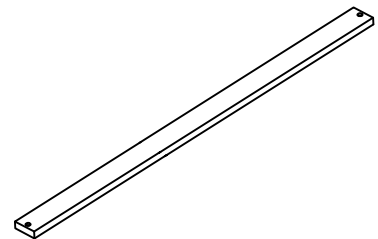
Shelf

33 x1



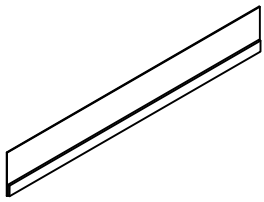
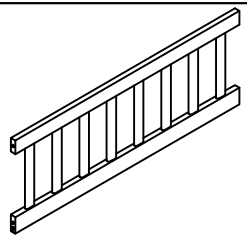
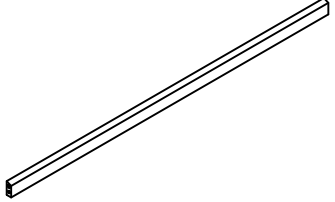
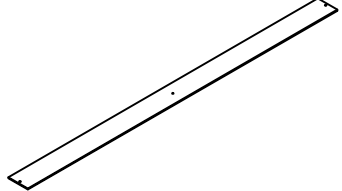
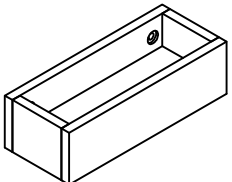
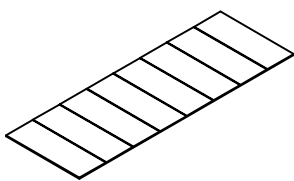
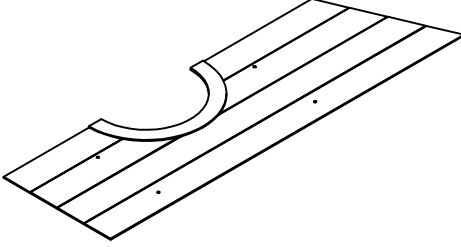
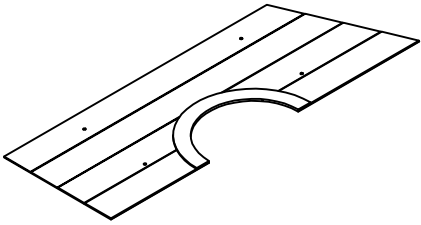
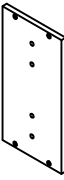
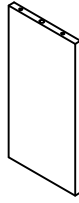
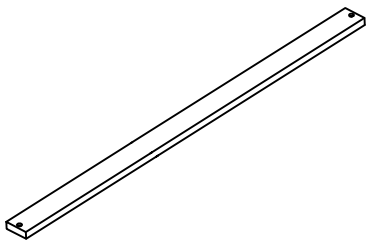
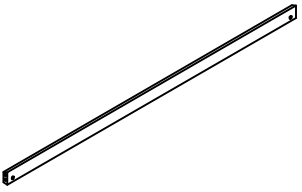
Back Shelf

34 x7







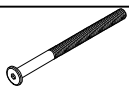


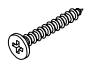





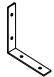
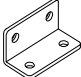



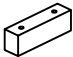


Slats

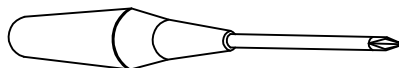
Part List (WF324639)

<p>⑤ x2</p>  <p>Panel Frames Headboard - Footboard</p>	<p>⑥ x2</p>  <p>Frames Headboards</p>
<p>⑦ x1</p>  <p>Headboard Guards</p>	<p>⑳ x11</p>  <p>Panel Roof Rail</p>
<p>㉒ x1</p>  <p>Box</p>	<p>㉓ x1</p>  <p>Panel</p>
<p>㉕ x1</p>  <p>Panel</p>	<p>㉖ x1</p>  <p>Panel</p>
<p>⑳ x2</p>  <p>Side Shelf</p>	<p>㉑ x2</p>  <p>Shelf</p>
<p>㉔ x10</p>  <p>Slats</p>	<p>㉘ x1</p>  <p>Foodboard Guard</p>

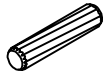

Hardware List (WF324638)

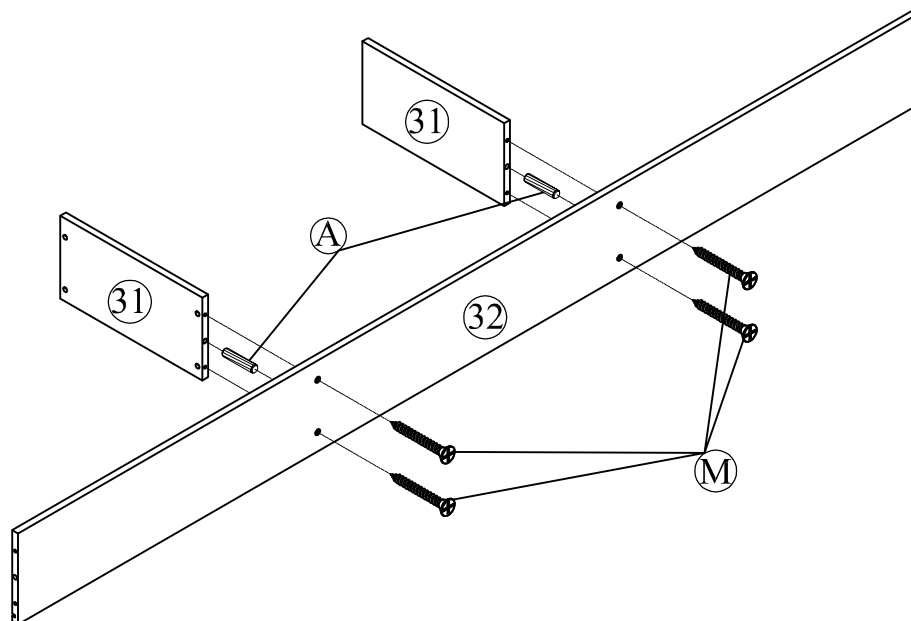
No.	OUTLOOK	DESC	QTY
(A)		Dowel Ø8*30mm	12
(B)		Dowel Ø10*40mm	23
(C)		Screws Ø6.5*30mm	4
(D)		Screws Ø6.5*70mm	6
(E)		Bolts 1/4"*25mm	2
(F)		Bolts 1/4"*30mm	7
(G)		Bolts 1/4"*70mm	12
(H)		Bolts 1/4"*100mm	12
(I)		Cross dowel 1/4"*13mm	24
(J)		Screws #6*12mm	40
(K)		Screws #8*12mm	4
(L)		Screws #8*30mm	40
(M)		Screws #8*40mm	16
(N)		Round head screw #8*12mm	8
(O)		Round head screw #8*20mm	37
(P)		Base L big	2
(Q)		Base L small	2
(R)		Allen key 60*22*4mm	1
(S)		Base L	6
(T)		Wheels	4
(U)		Stop Wood	3

ASSEMBLY TOOLS REQUIRED (NOT INCLUDED)

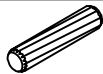



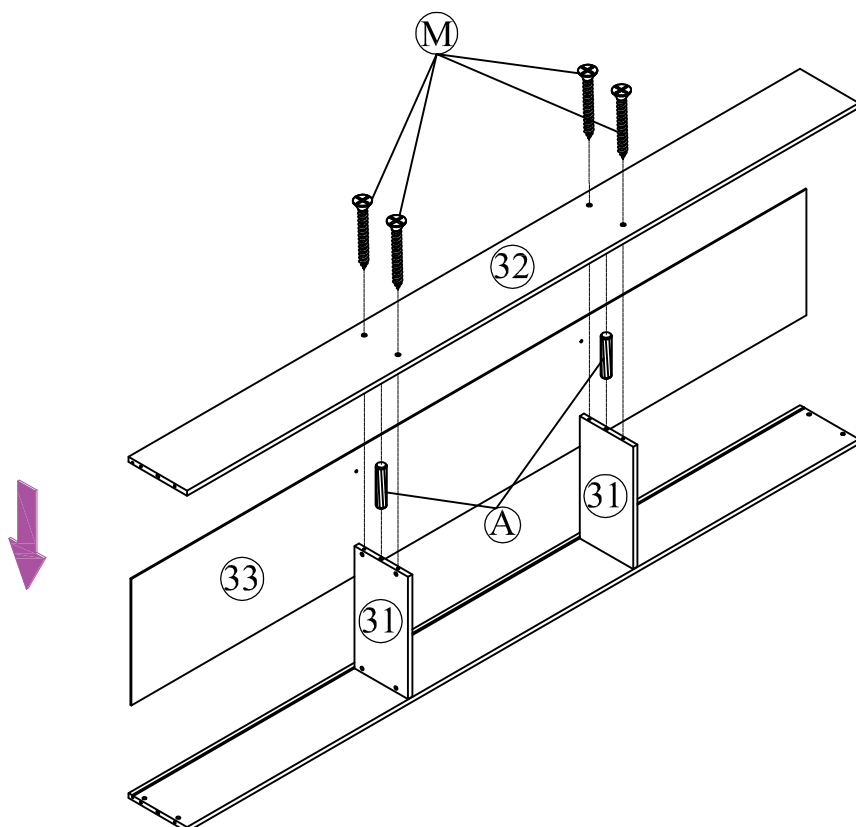
STEP 1:

(A)		02
(M)		04

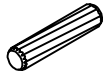



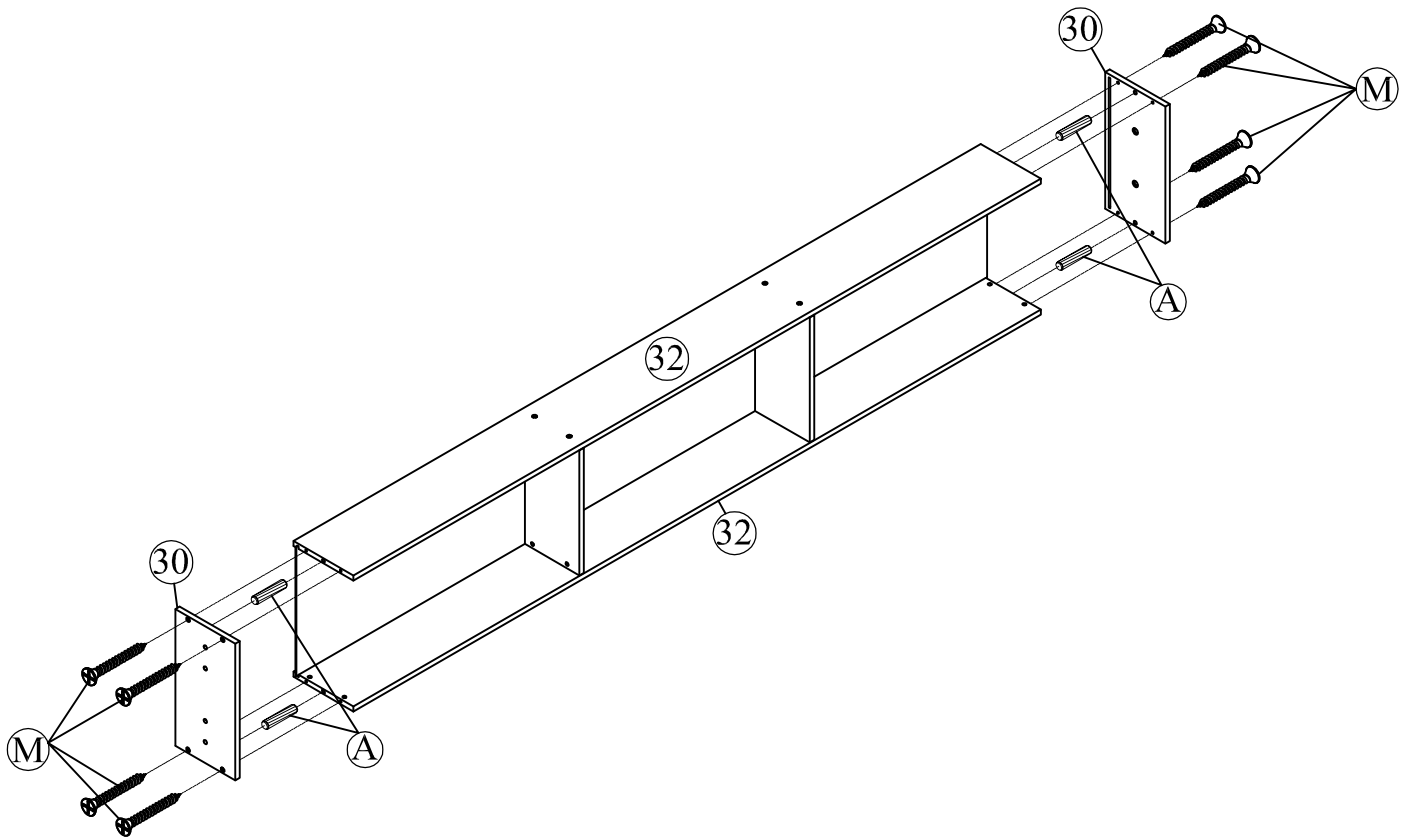
STEP 2:

(A)		02
(M)		04



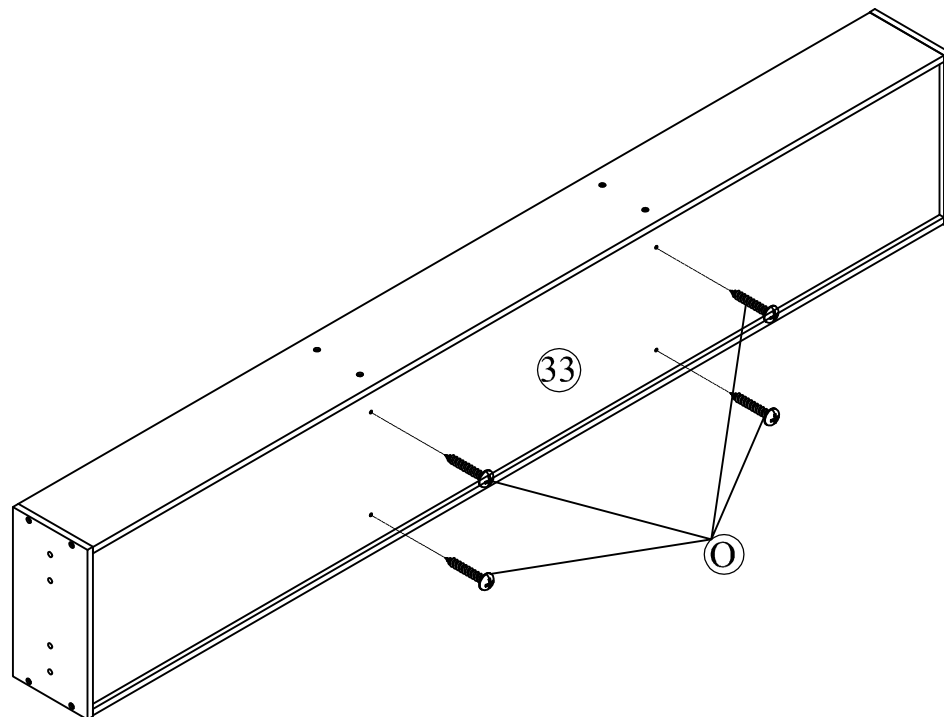
STEP 3:

(A)		04
(M)		08

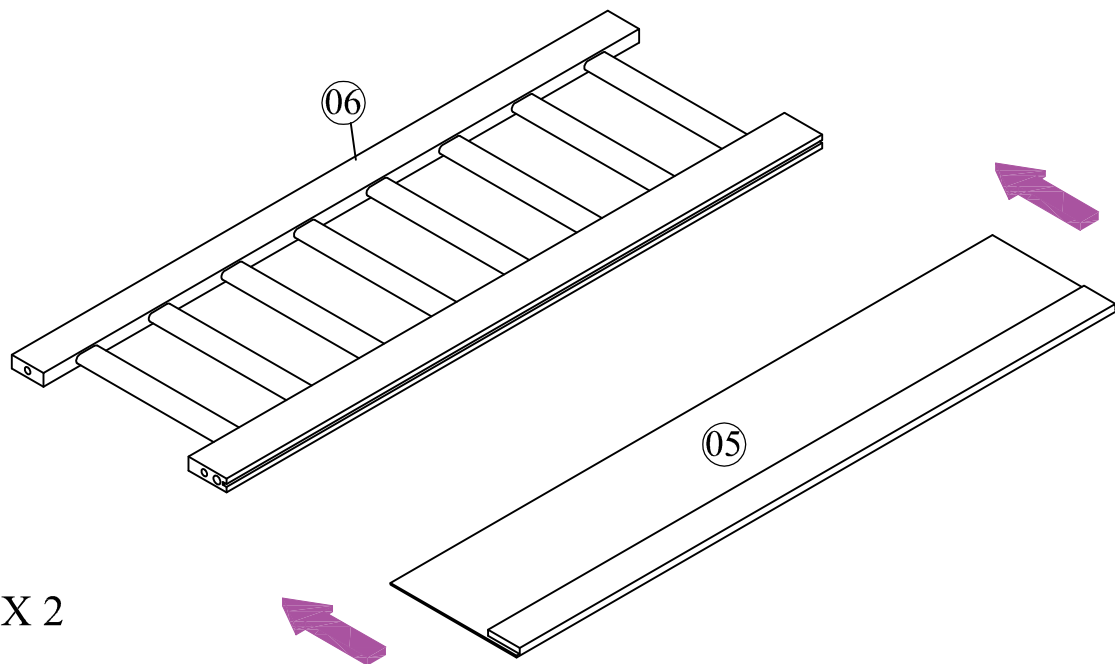


STEP 4:

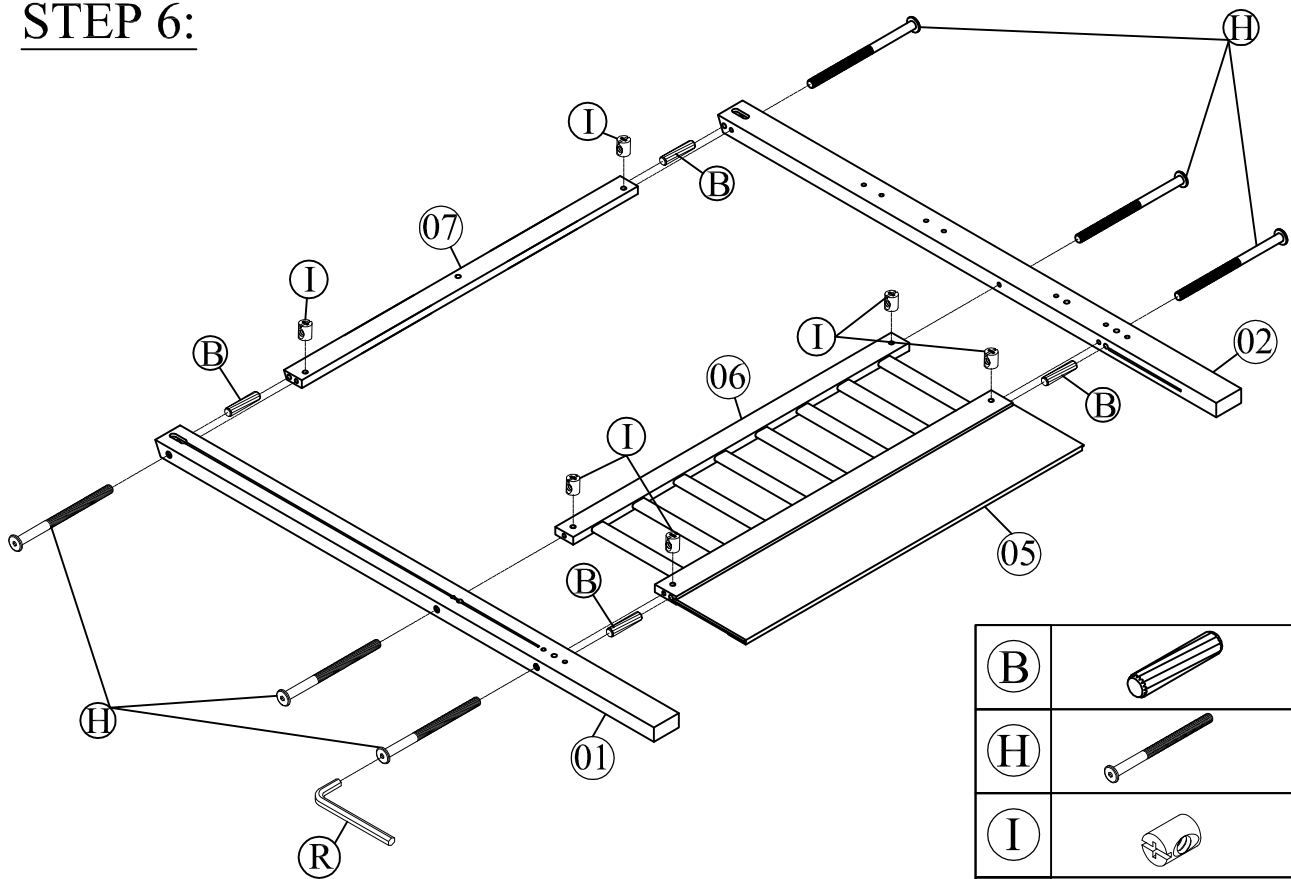
(O)		04
-----	---	----

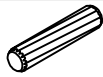
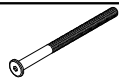




STEP 5:

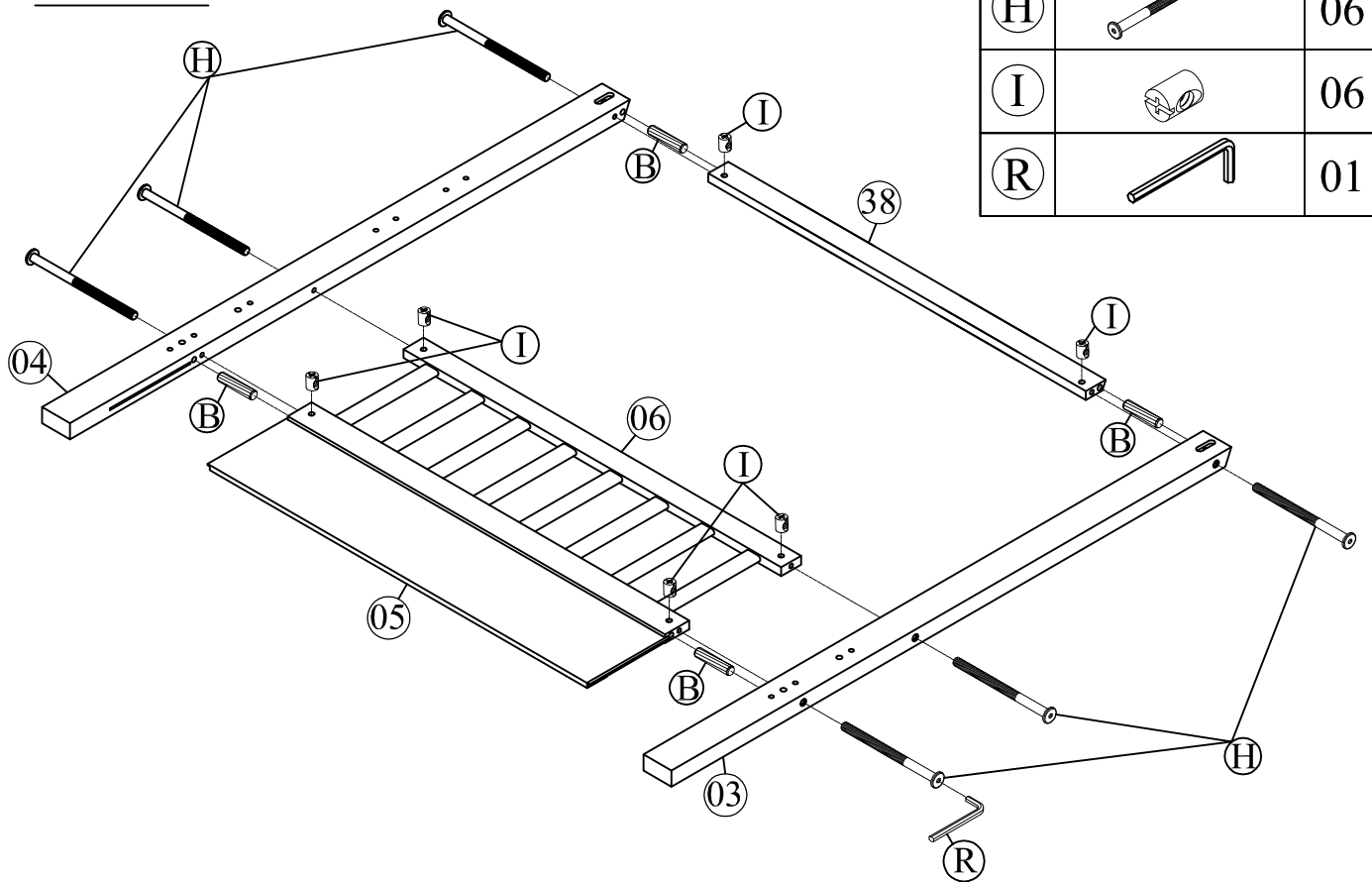


STEP 6:



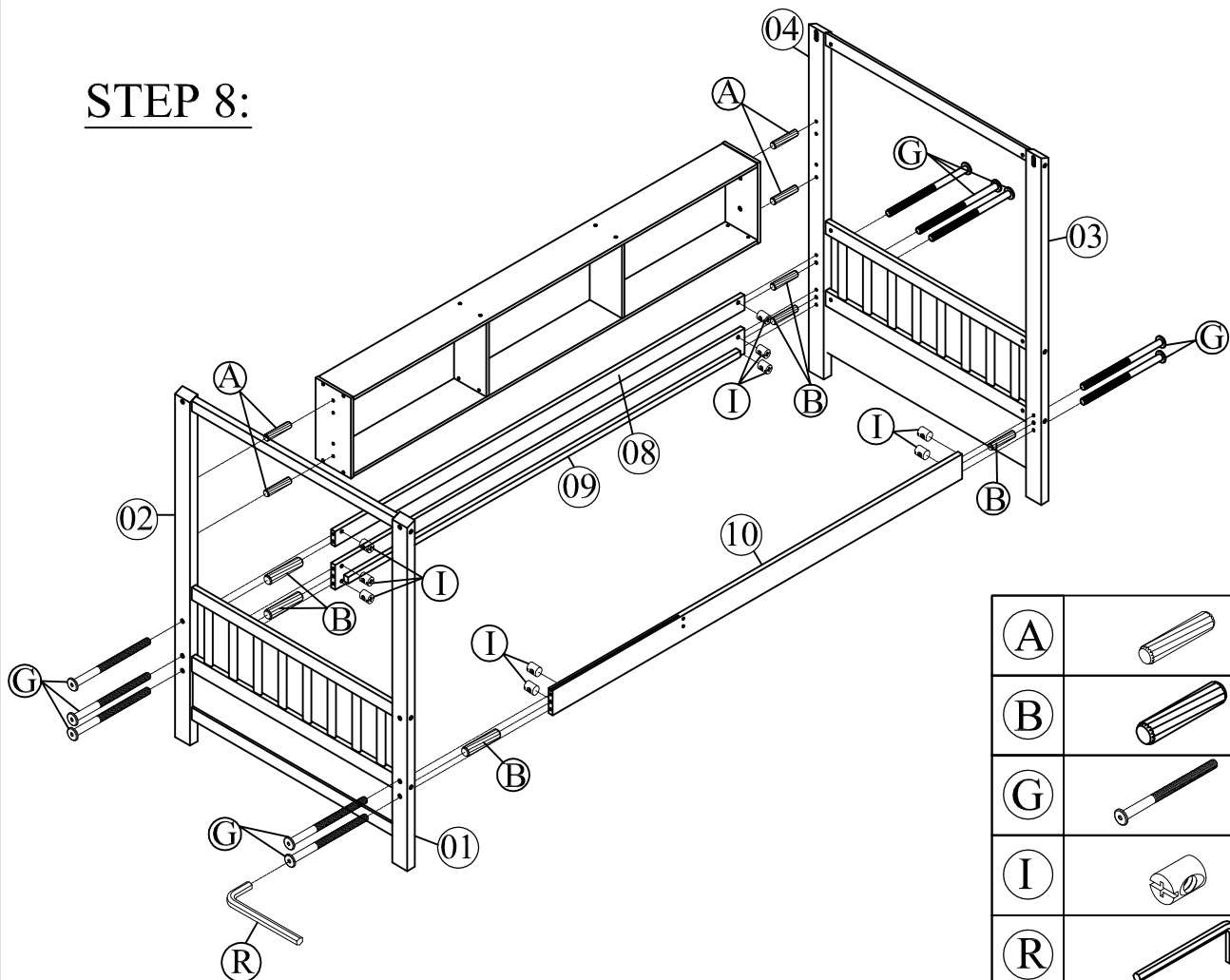
(B)		04
(H)		06
(I)		06
(R)		01

STEP 7:



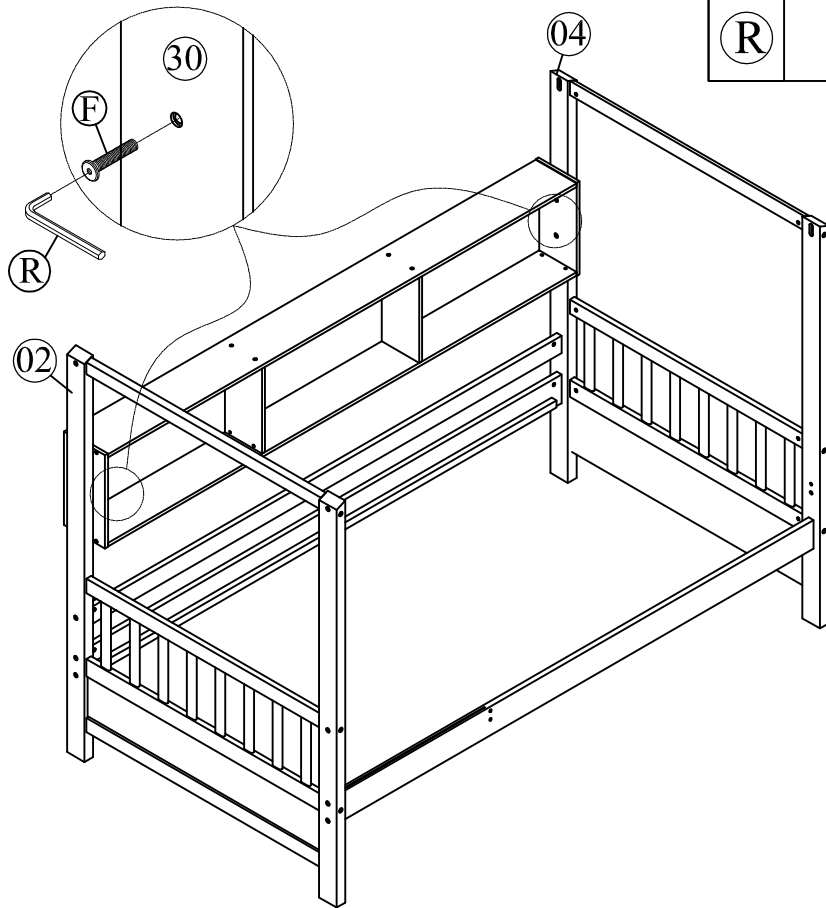
(B)		04
(H)		06
(I)		06
(R)		01

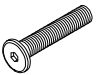

STEP 8:



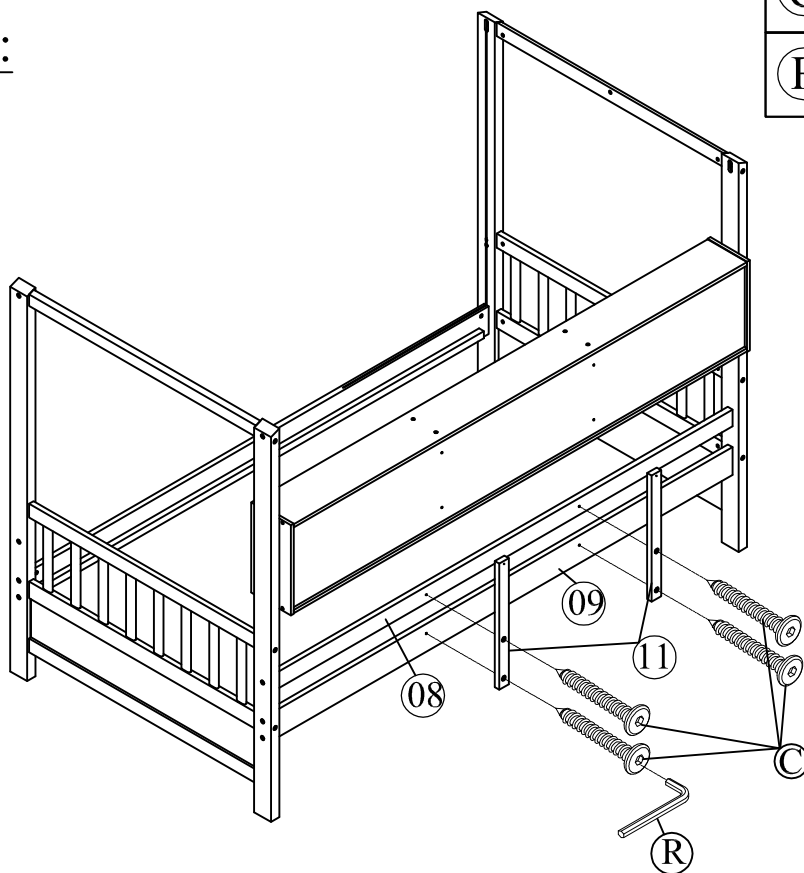
(A)		04
(B)		06
(G)		10
(I)		10
(R)		01

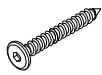

STEP 9:



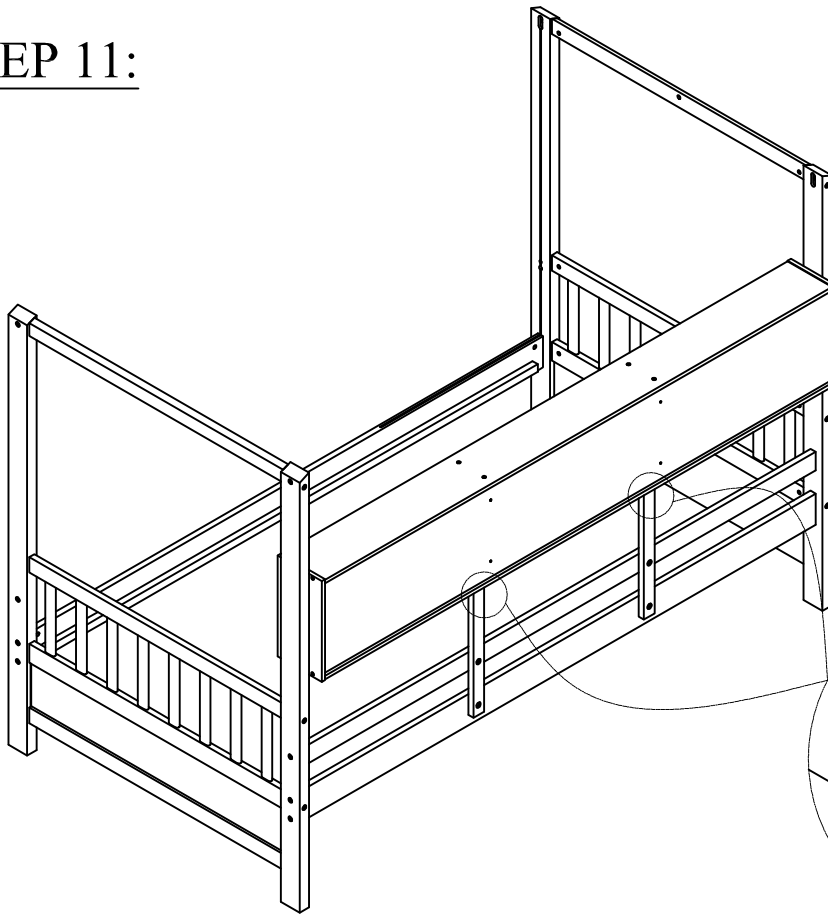
(F)		04
(R)		01



STEP 10:

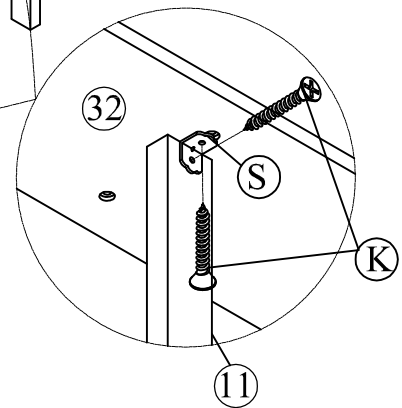


(C)		04
(R)		01

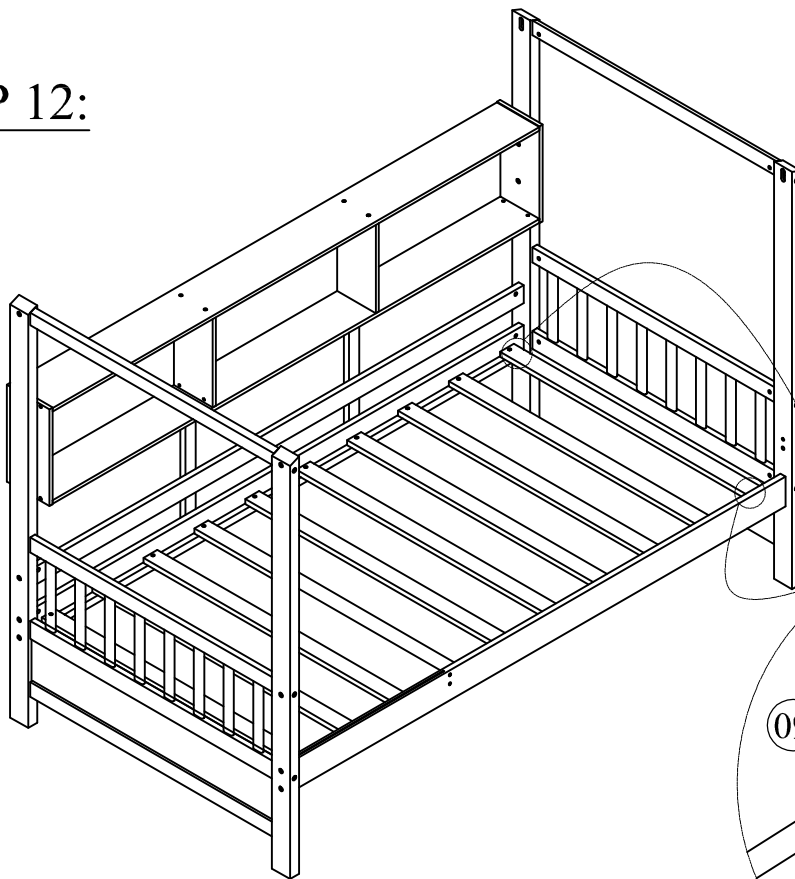
STEP 11:

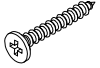


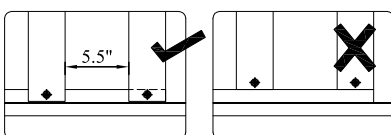
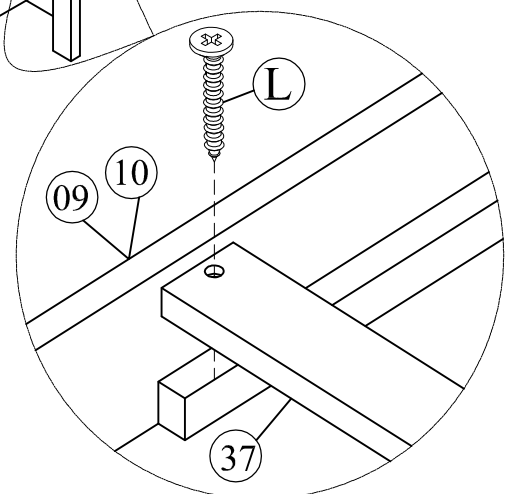
(K)		04
(S)		02



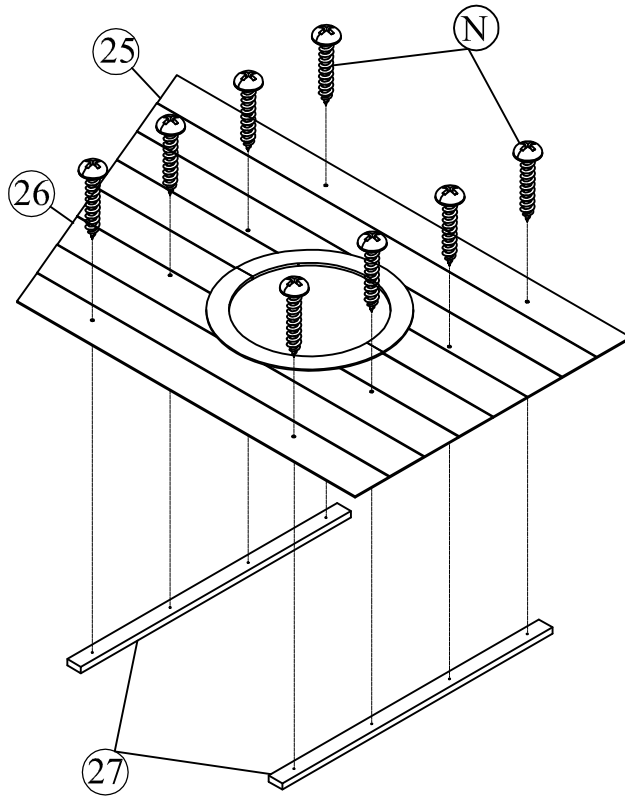
STEP 12:



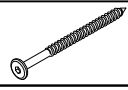

(L)		20
-----	---	----

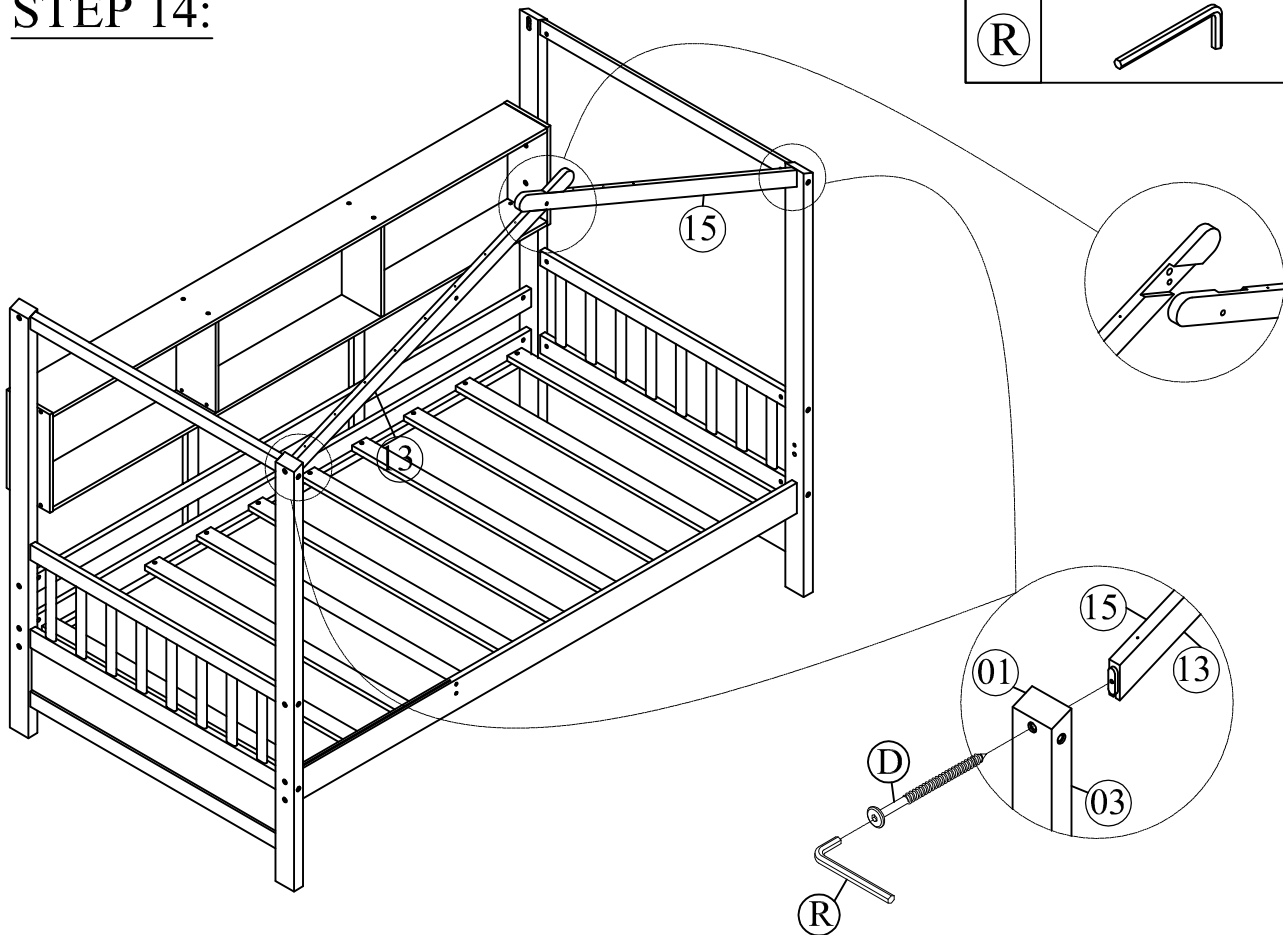


STEP 13:

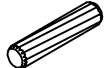
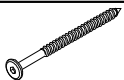



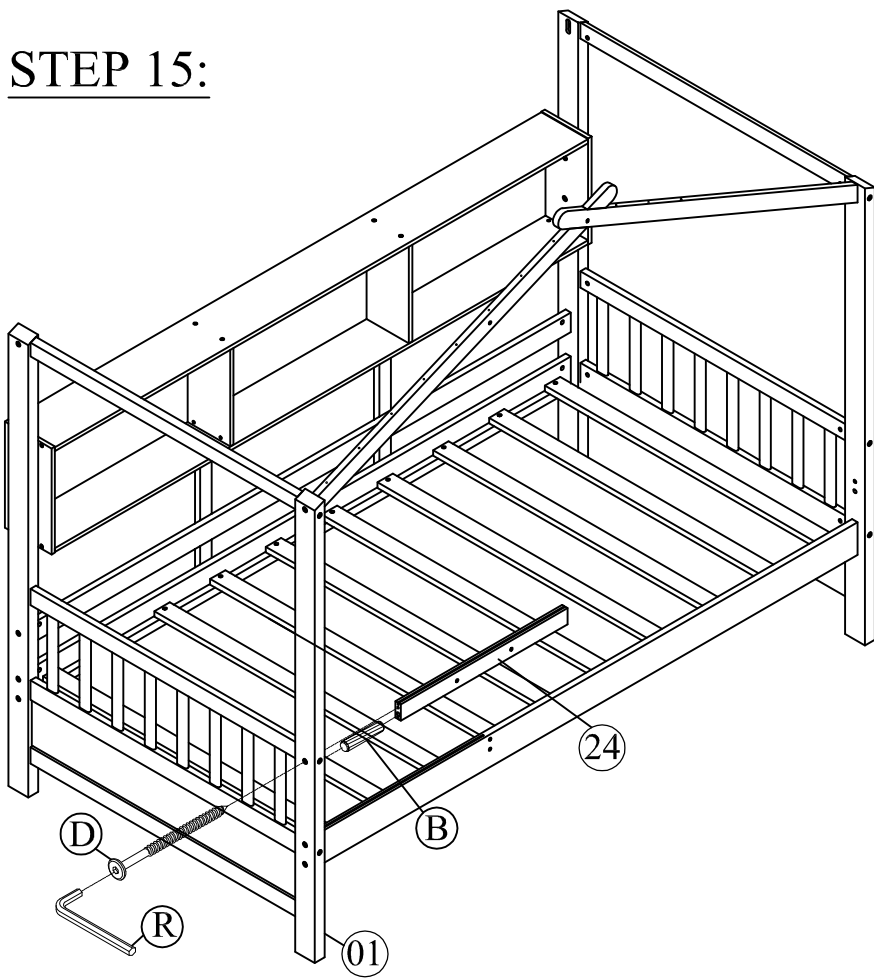
STEP 14:

(D)		02
(R)		01

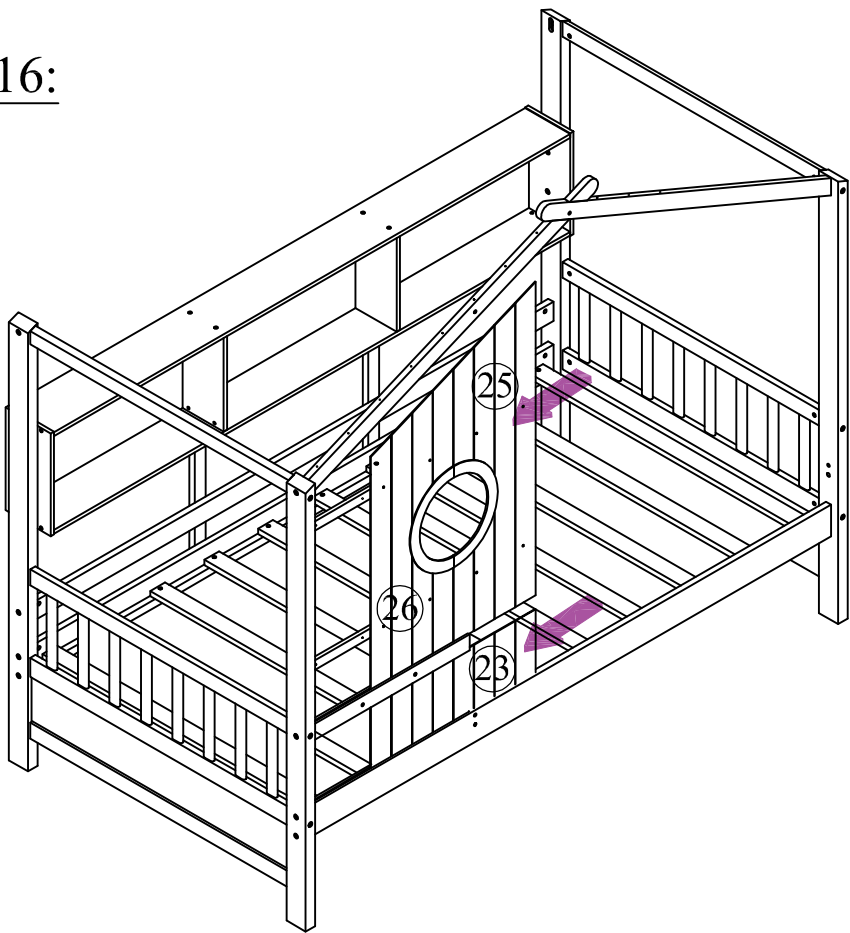


STEP 15:

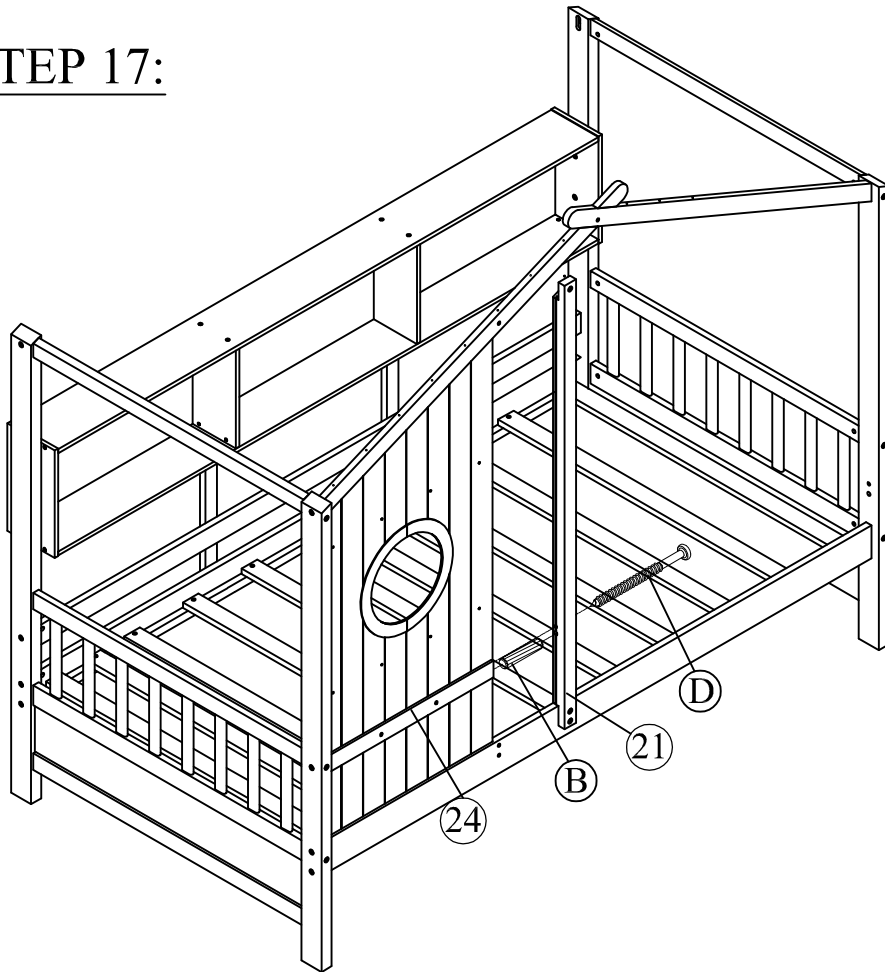
(B)		01
(D)		01
(R)		01

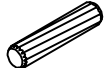
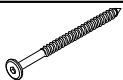



STEP 16:

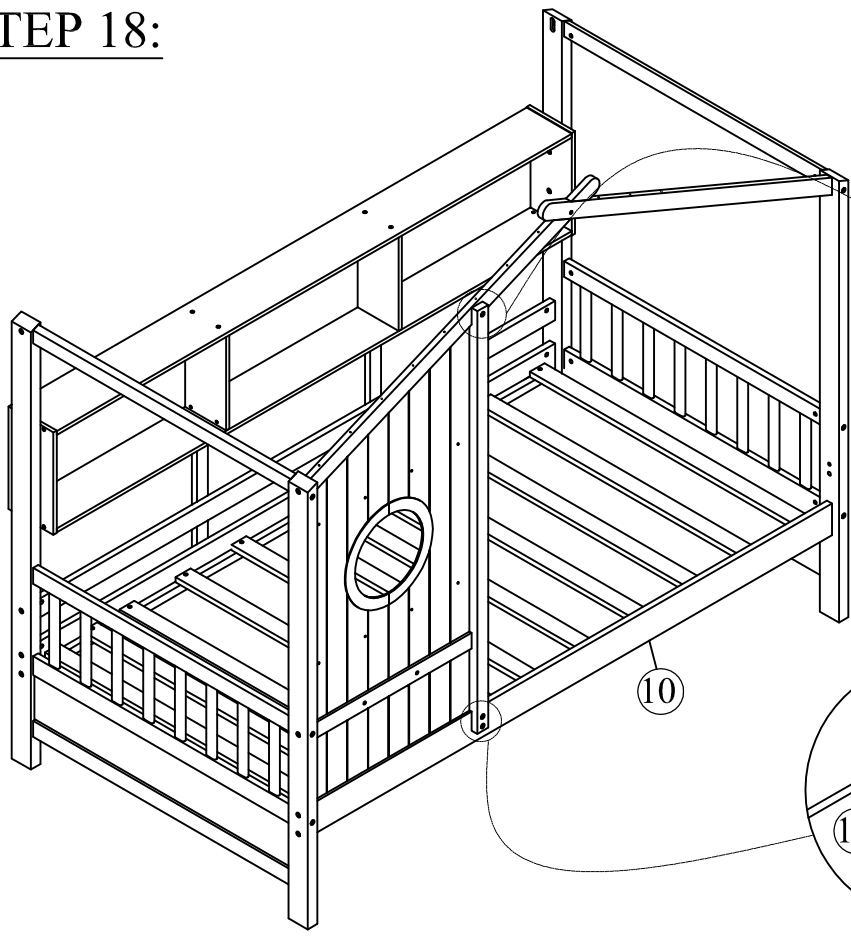


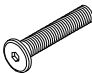

STEP 17:

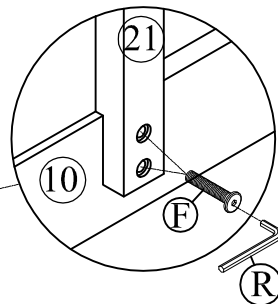
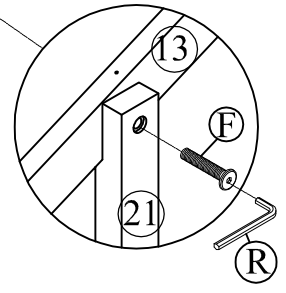


(B)		01
(D)		01
(R)		01

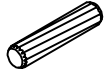
STEP 18:

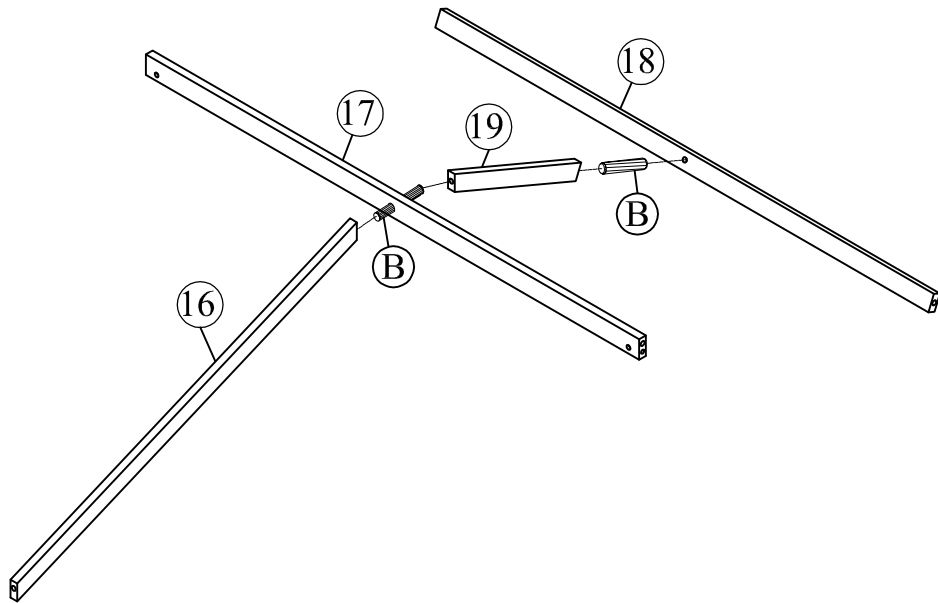


(F)		03
(R)		01

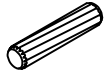





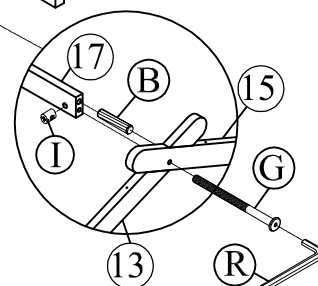
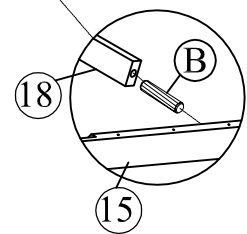
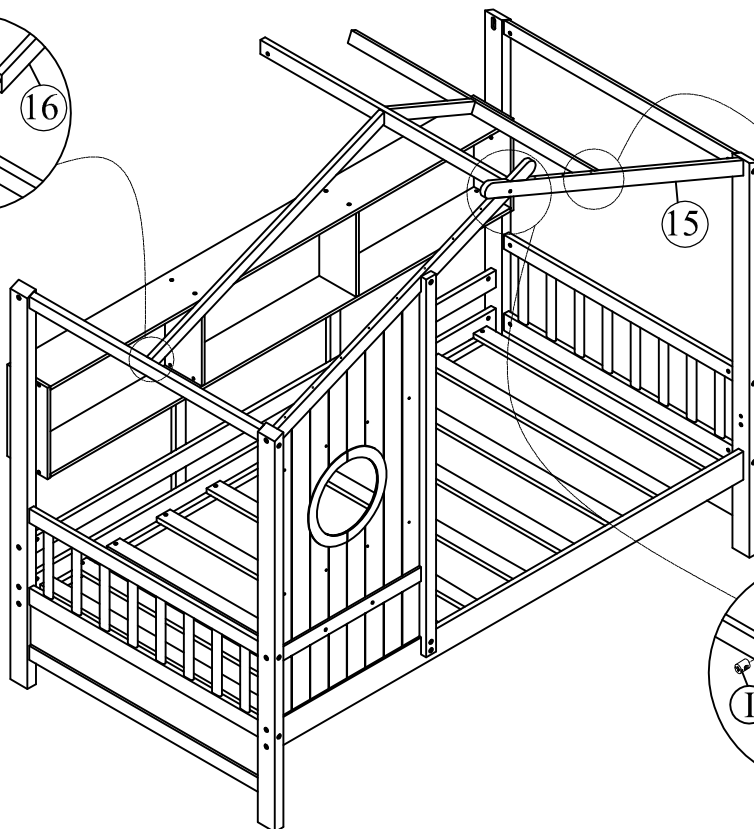
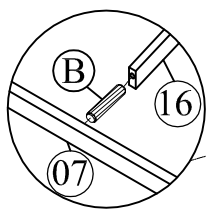
STEP 19:

(B)		02
-----	--	----

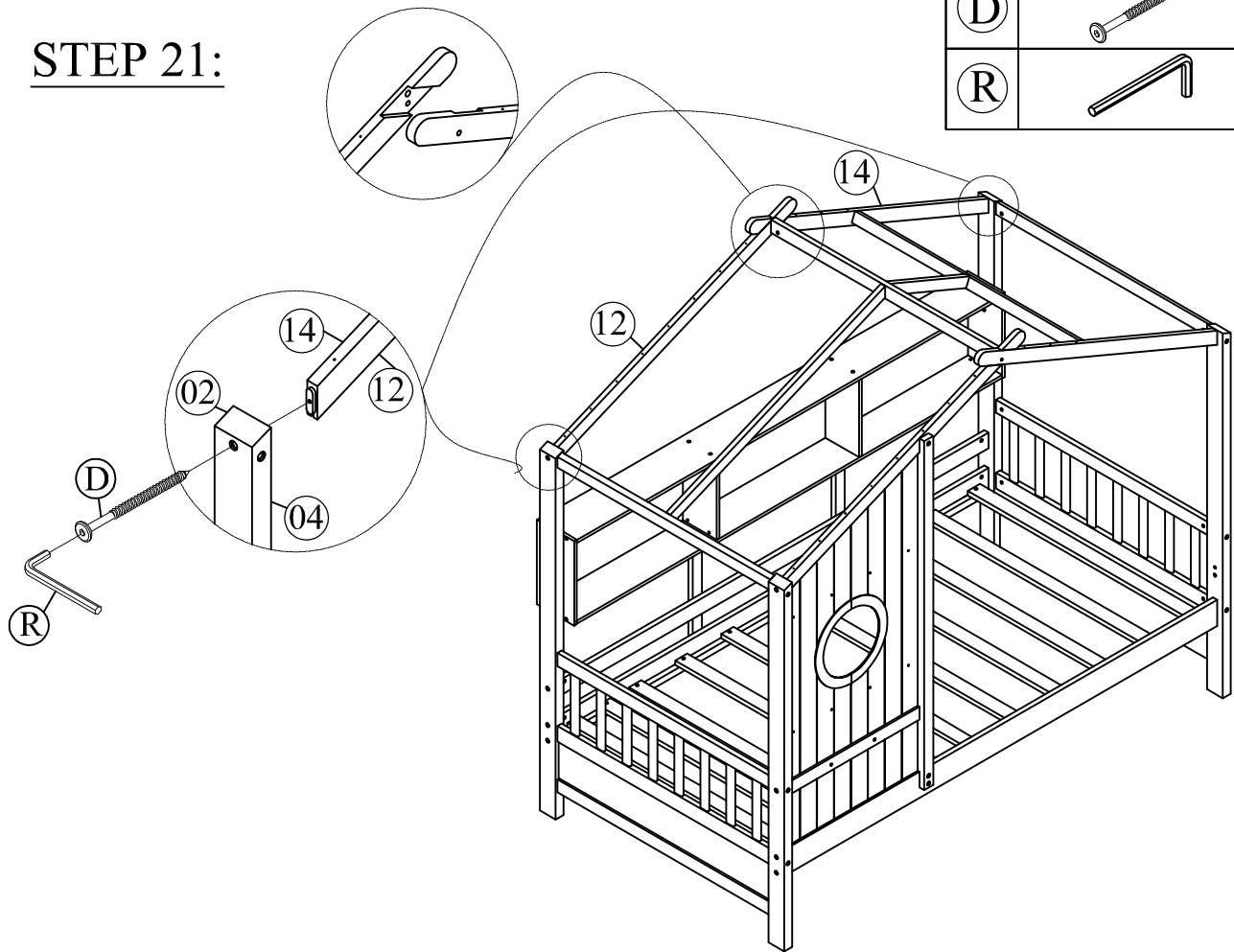




STEP 20:

(B)		03
(G)		01
(I)		01
(R)		01

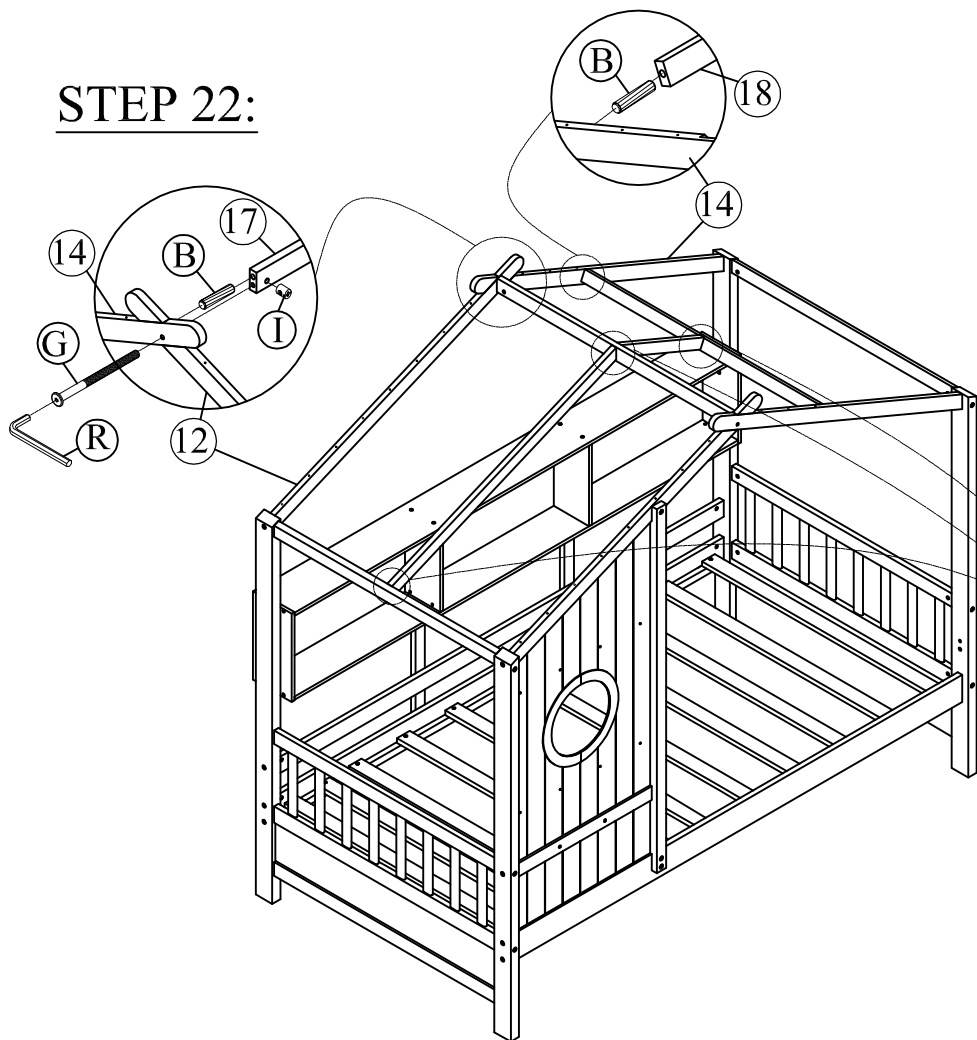








STEP 21:

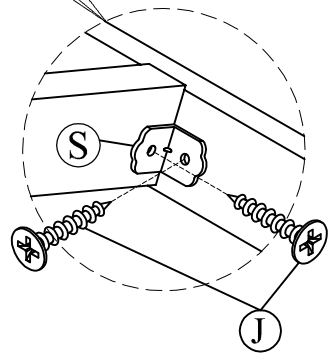


(D)		02
(R)		01

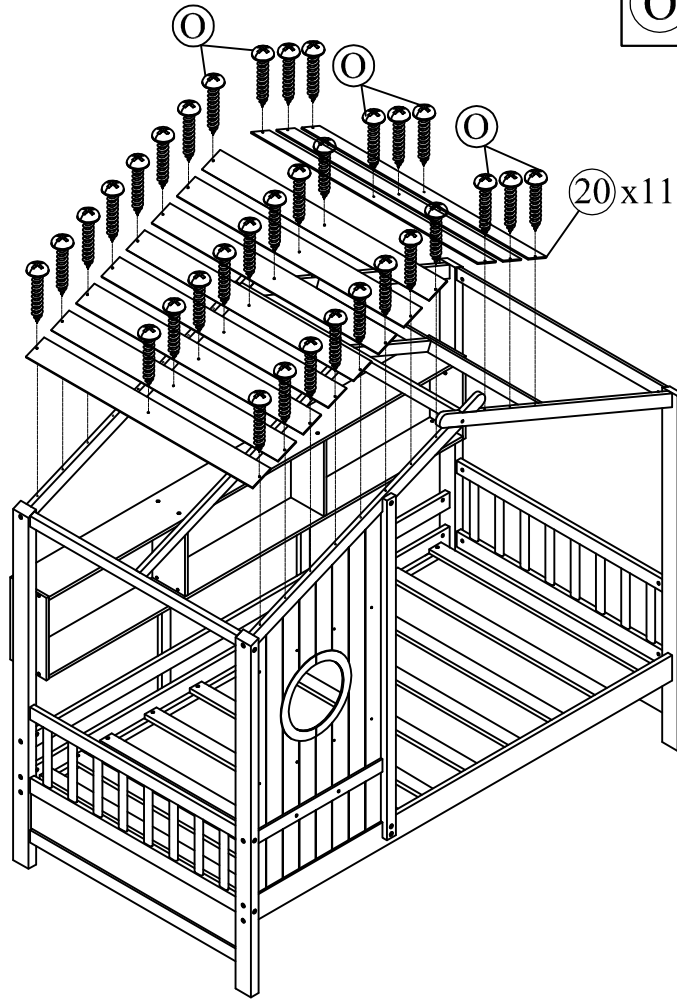
STEP 22:



(B)		02
(G)		01
(I)		01
(R)		01
(J)		08
(S)		04

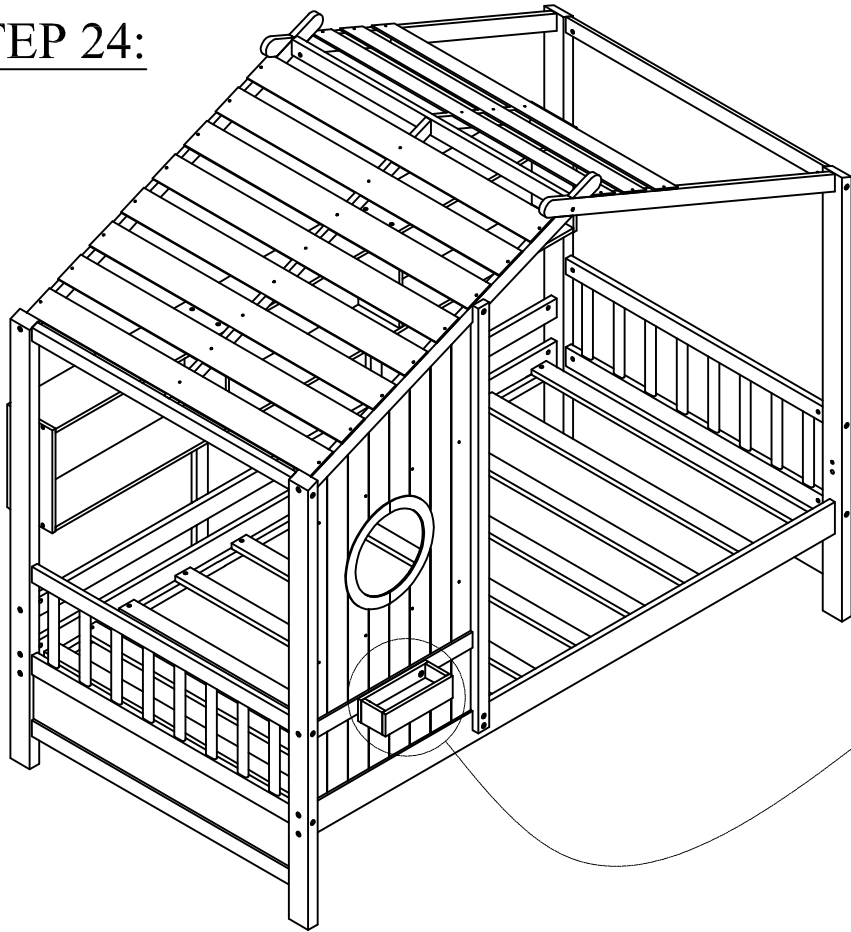


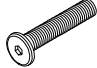

STEP 23:

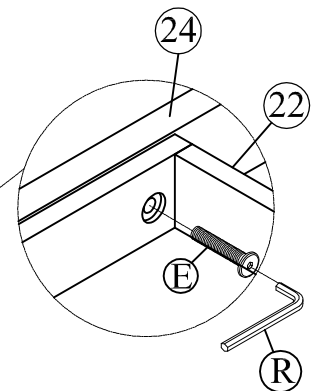


⓪		
---	--	--

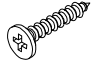

STEP 24:

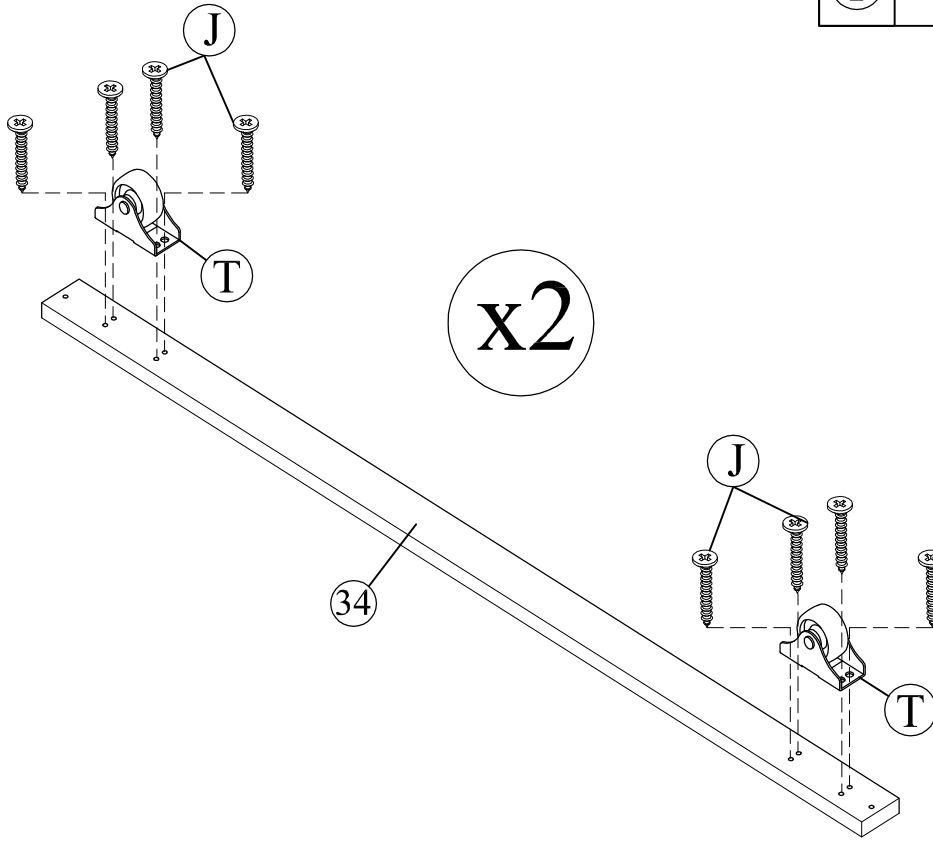


ⓔ		02
Ⓡ		01

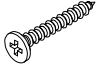


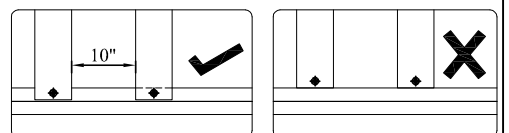
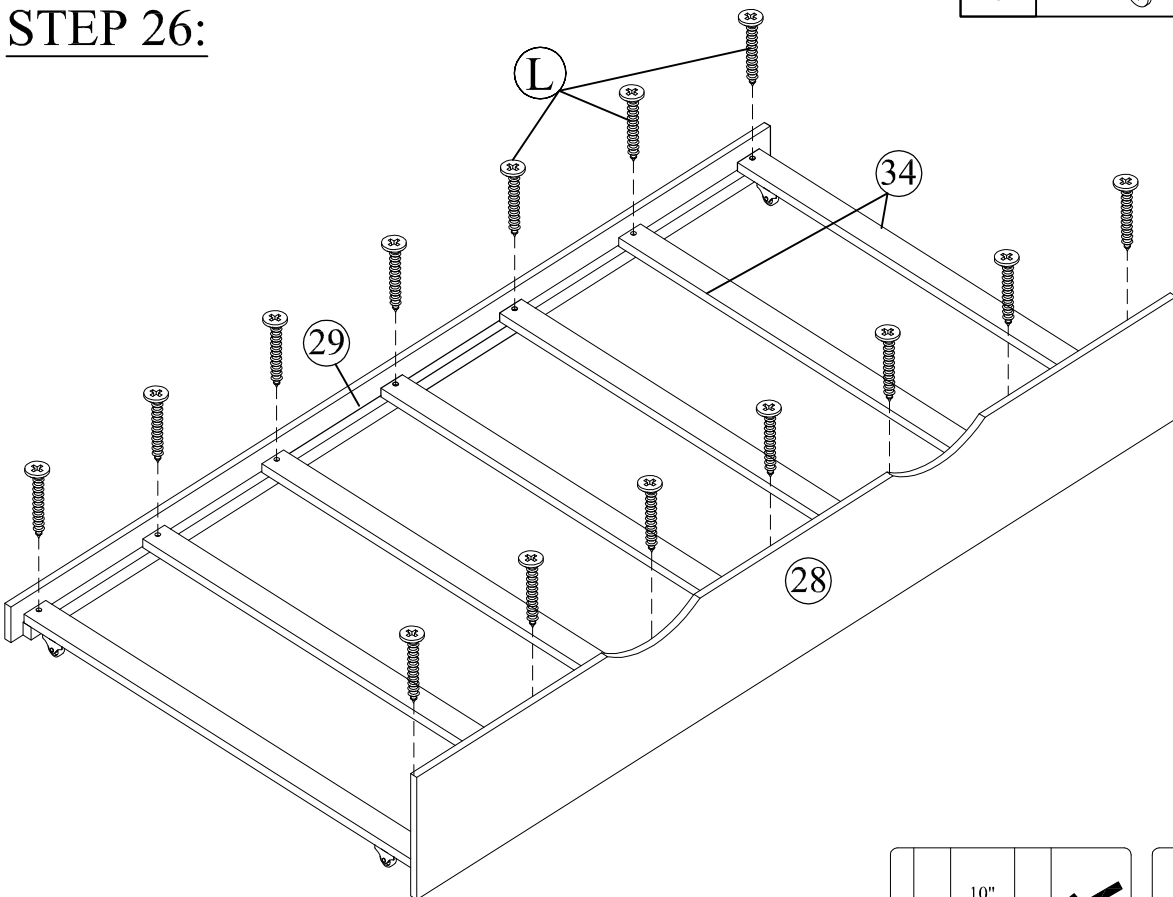
STEP 25:

(J)		16
(T)		04


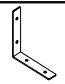
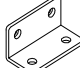


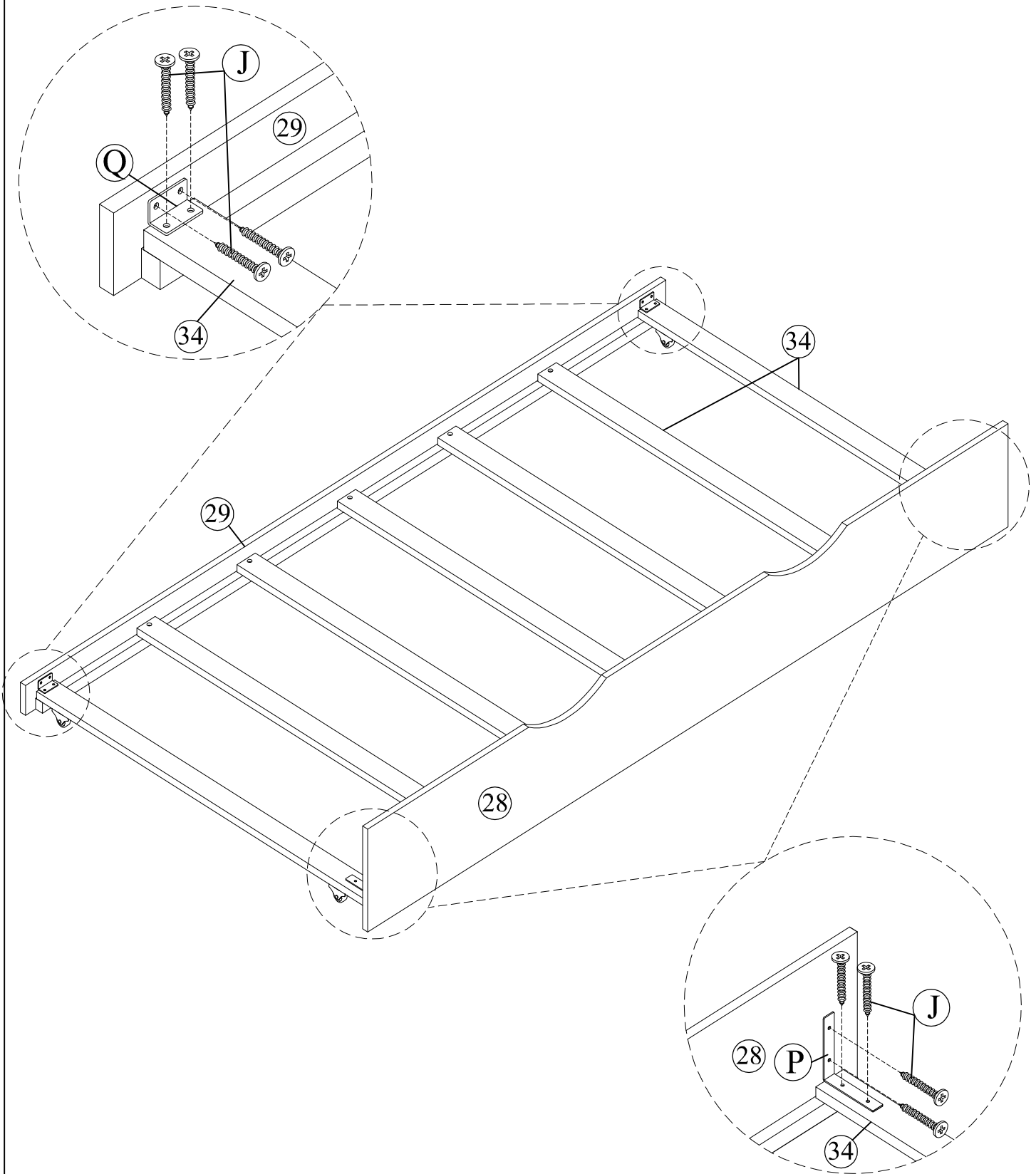
STEP 26:

(L)		14
-----	---	----


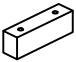


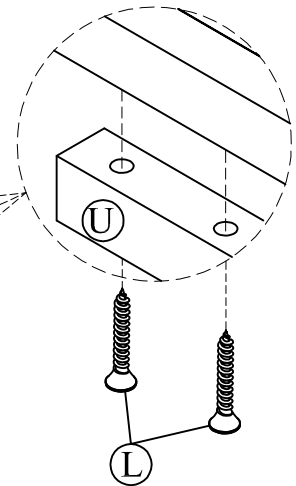
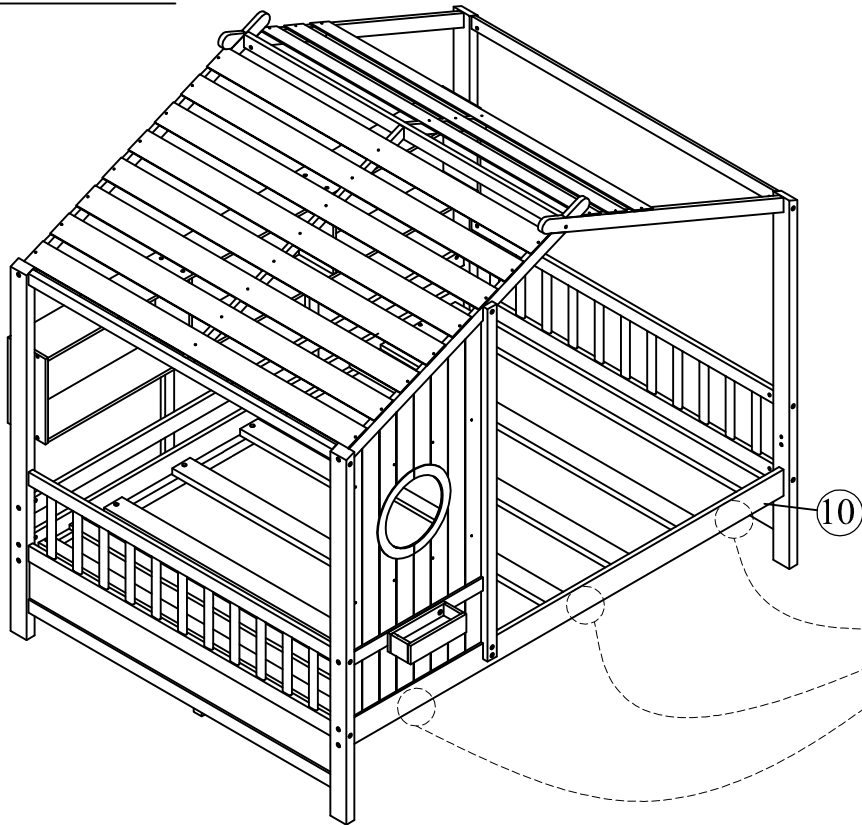
STEP 27:

J		16
P		02
Q		02



STEP 28:

(L)		06
(U)		03



FINAL:

