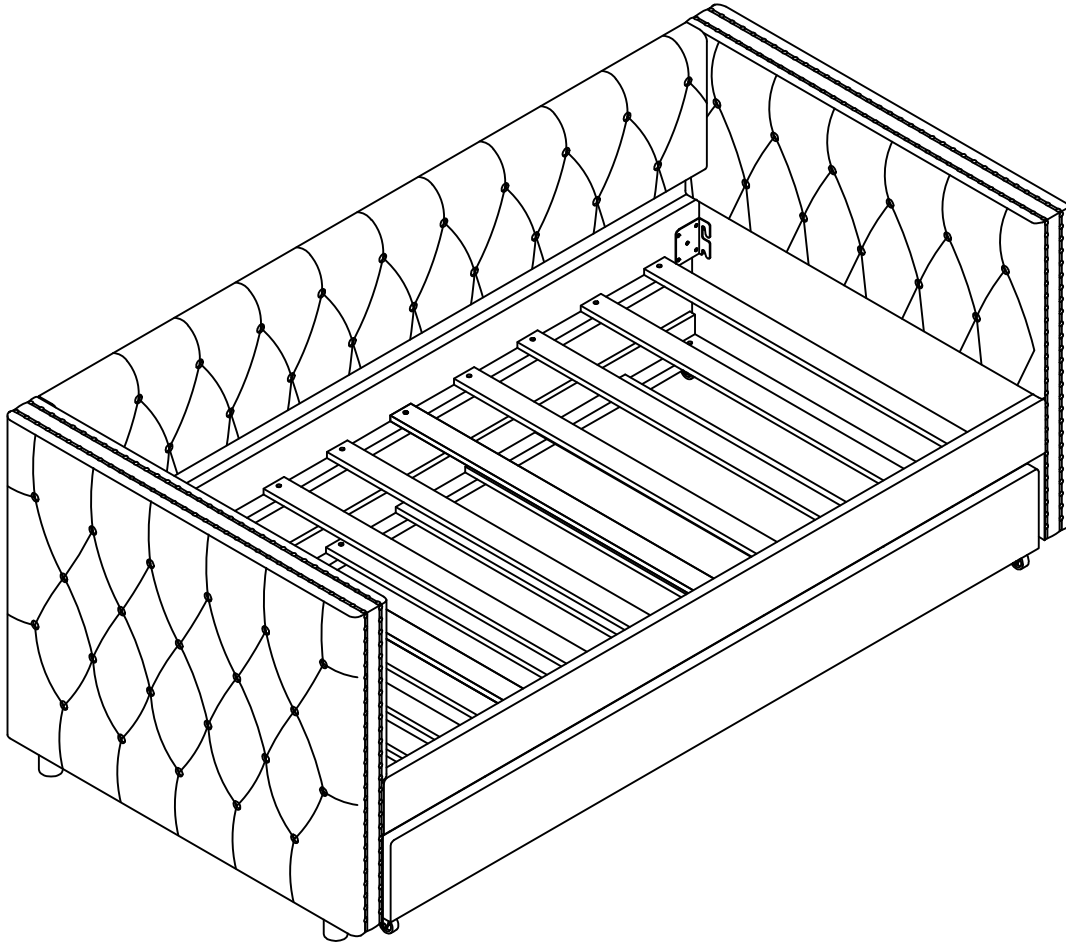


ASSEMBLY INSTRUCTIONS

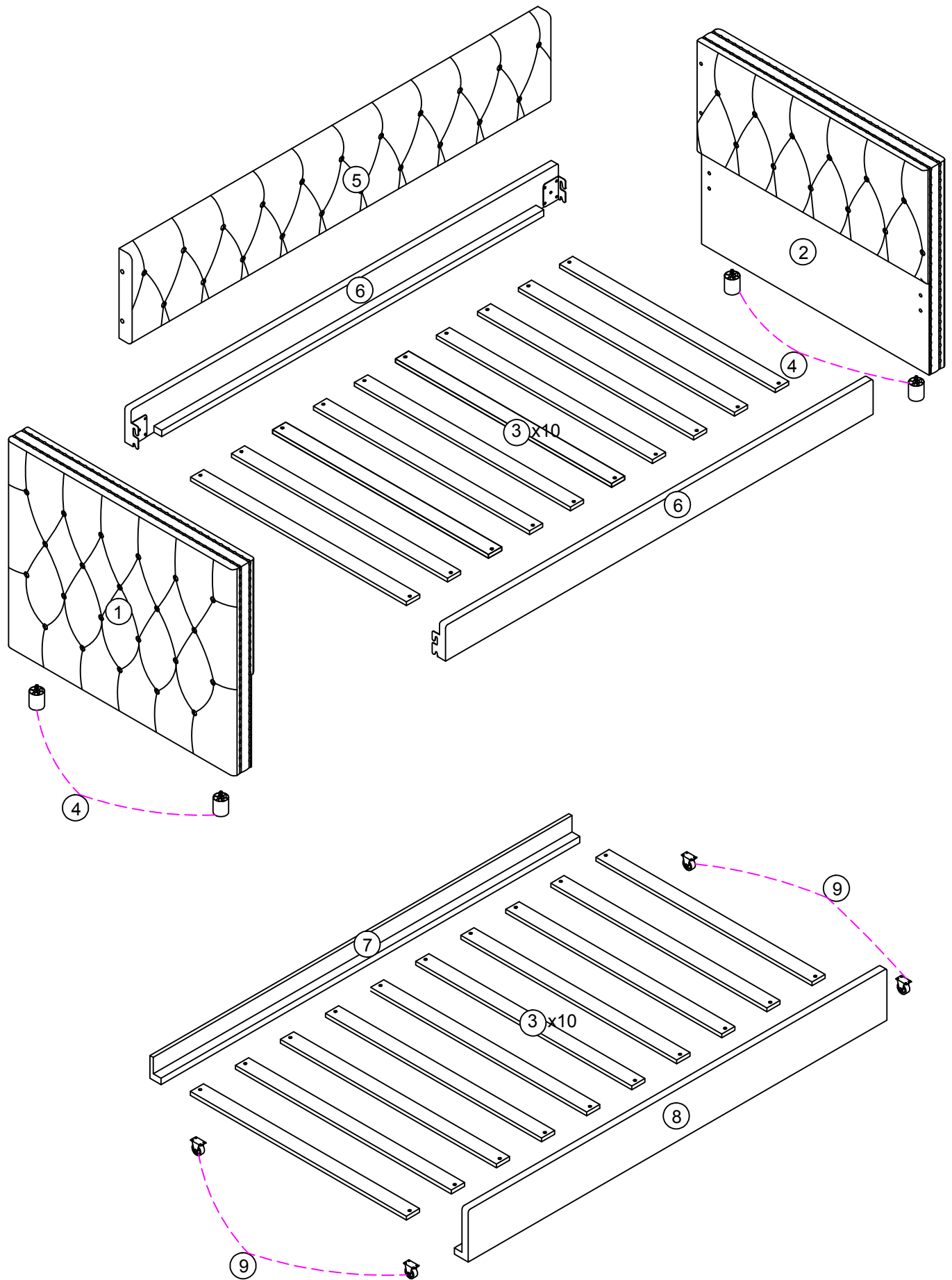
WF532193/WF532194



IMPORTANT NOTE

- **PLACE ALL PARTS ON A CLEAN AND SMOOTH SURFACE SUCH AS A RUG OR CARPET TO AVOID THE PARTS FROM BEING SCRATCHED**
- ** BEFORE YOU BEGIN , KINDY FOLLOW THE ASSEMBLY INSTRUCTIONS STEP BY STEP**
- **DO NOT TIGHTEN ALL SCREWS AND BOLTS UNTIL THE BED IS FULLY SET-UP**

ASSEMBLY INSTRUCTIONS



ASSEMBLY INSTRUCTIONS

PARTS IDENTIFICATION

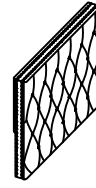
(BOX1)WF532193

1 Left Arm



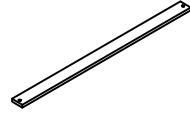
1pc

2 Right Arm



1pc

3 Roll Slat



20 pcs

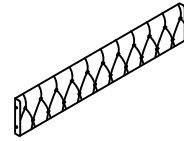
(BOX2)WF532194

4 Leg



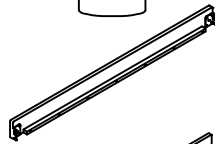
4pcs

5 Back Panel



1pc

6 Side Rail



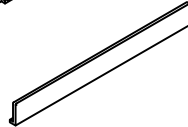
2pcs

7 Back Trundle Rail



1pc

8 Front Trundle Rail



1pc

9 Wheels

(m59x42mmx66mm)



4pcs

HARDWARE IDENTIFICATION

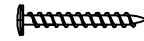
HARDWARES IN WF532194

A Flat Head Screw
(m4x15mm-RBW)



40pcs

B Flat Head Screw
(m4x30mm-RBW)



40pcs

C Bolt
(Ø 5/16 "X25mm)



8pcs

D Threaded Bolt (2 pcs)
(Ø 5/16 "X90mm)



4pcs

E Flat Washer
(Ø 5/16 "-RBW)



12pcs

F Hex Nut (2 pcs)
(16mmx13mmx13mm)



4pcs

G Allen Wrench
(M4x75mm x32mm)



1pc

H Wrench (1 pc)



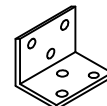
1pcs

I Spring Washer
(Ø 5/16 "-RBW)



8pcs

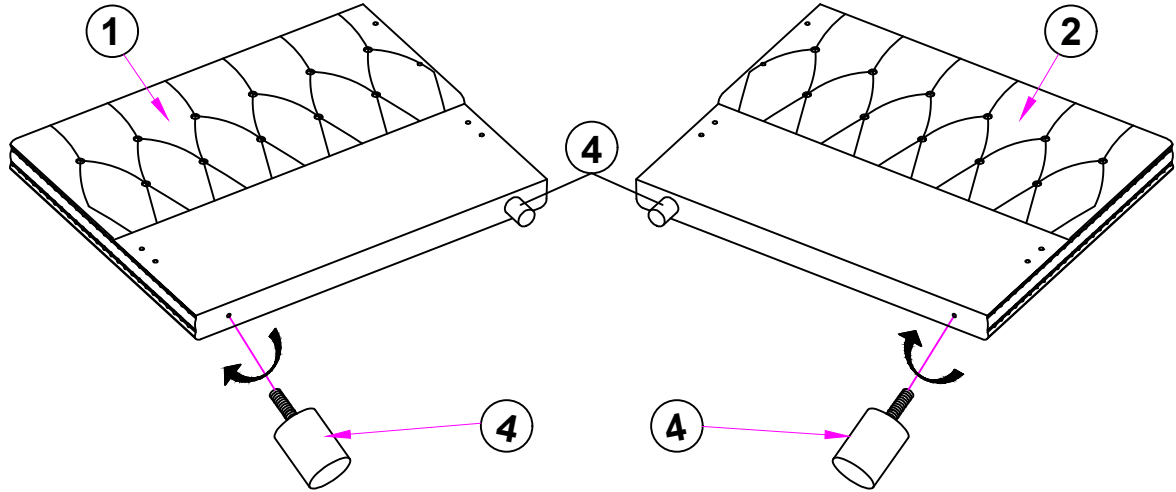
K Square Patch
(38mmx38mmx25mmx2mm)



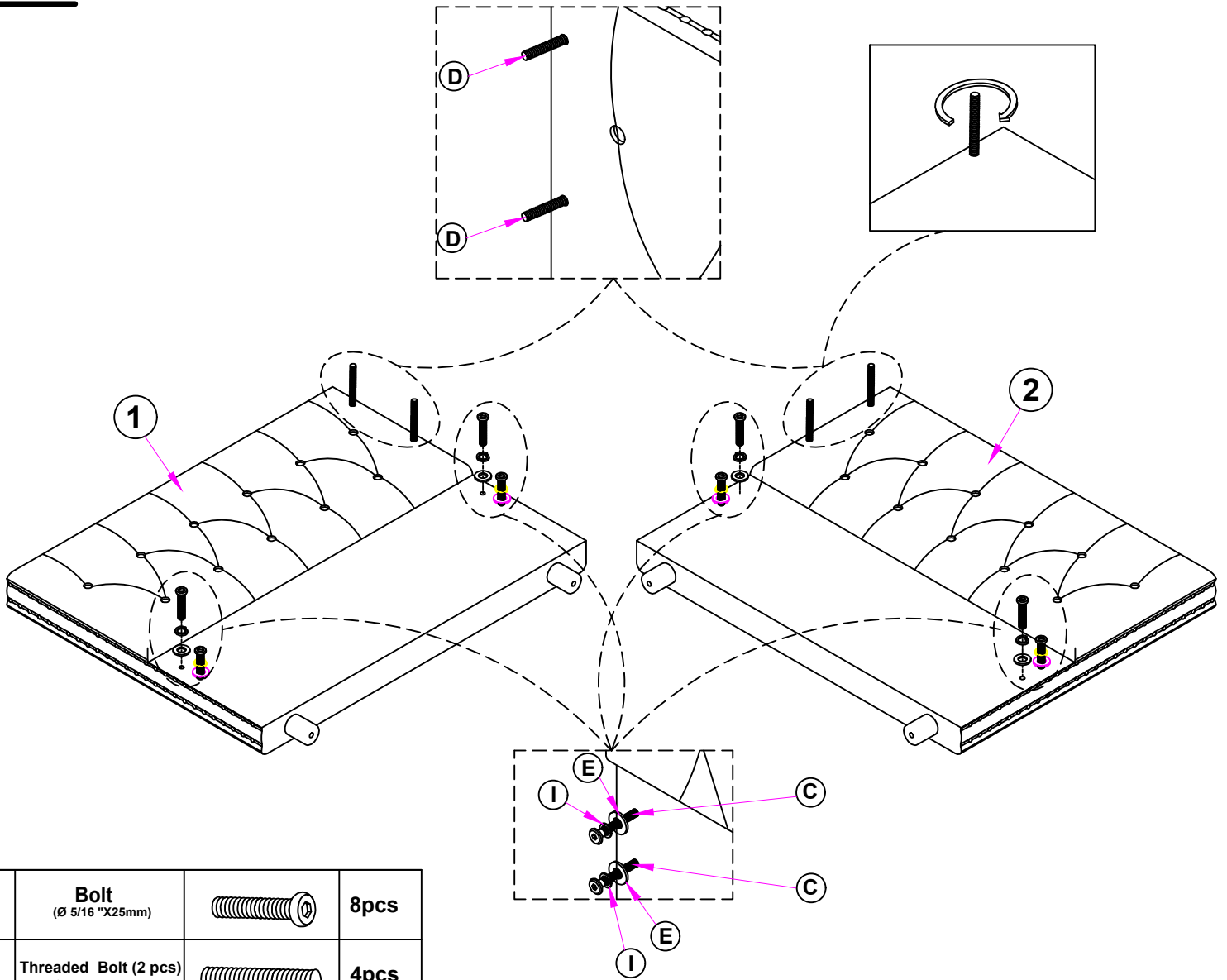
4pcs





ASSEMBLY INSTRUCTIONS

STEP 1



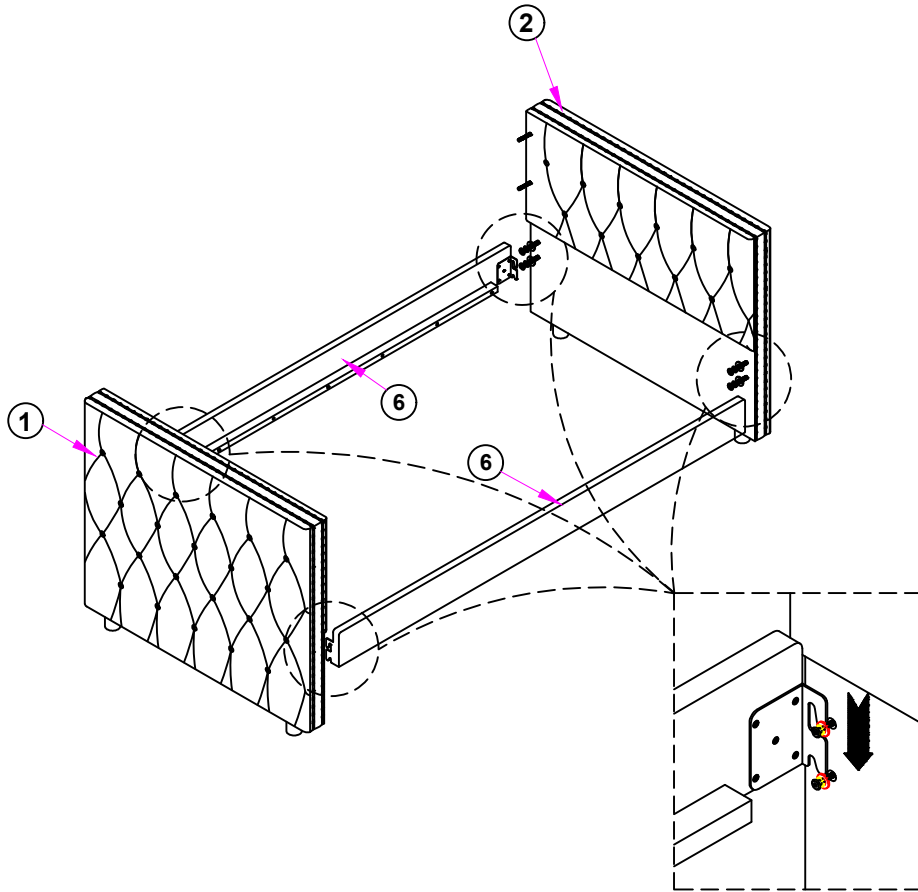
STEP 2



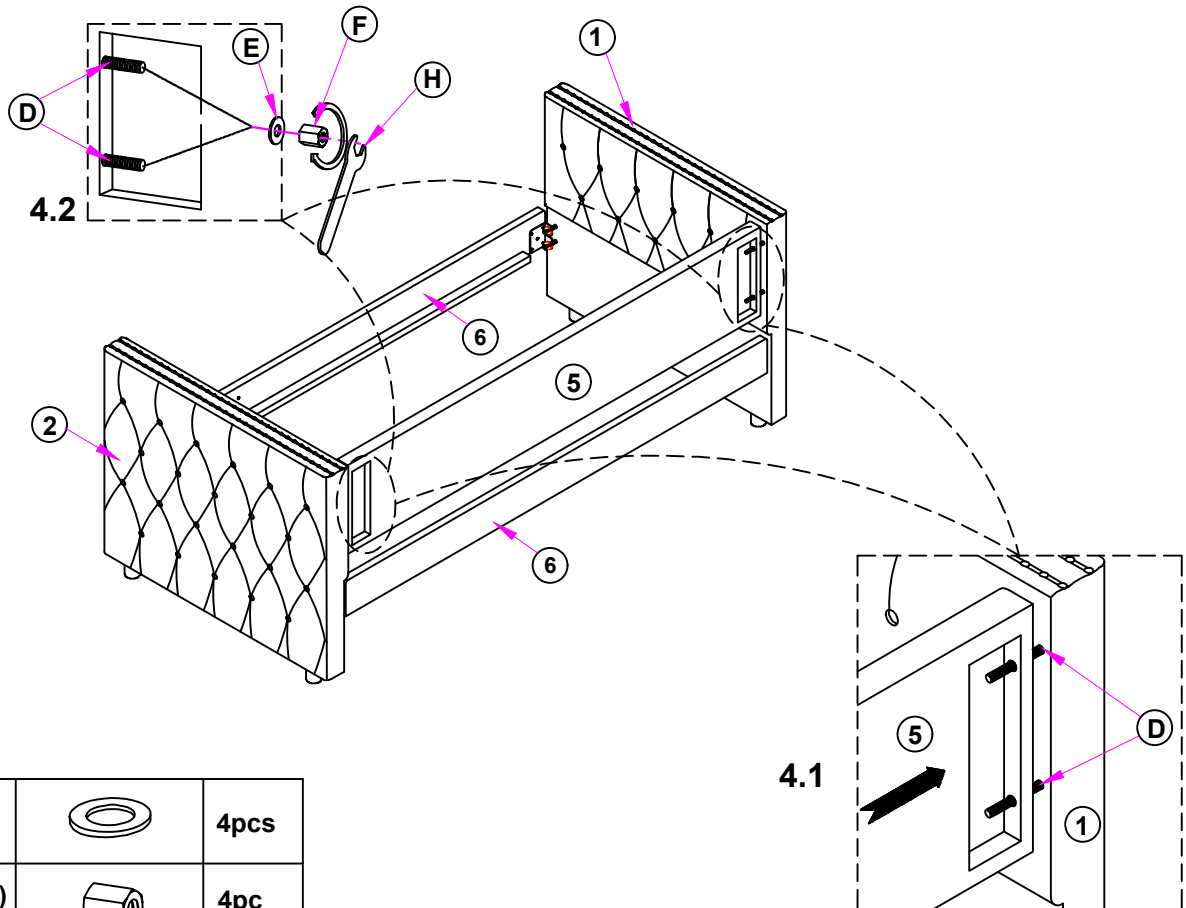
C	Bolt (Ø 5/16 "X25mm)		8pcs
D	Threaded Bolt (2 pcs) (Ø 5/16 "X90mm)		4pcs
I	Spring Washer (Ø 5/16 "-RBW)		8pcs
E	Flat Washer (Ø 5/16 "-RBW)		8pcs


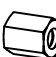

ASSEMBLY INSTRUCTIONS

STEP 3



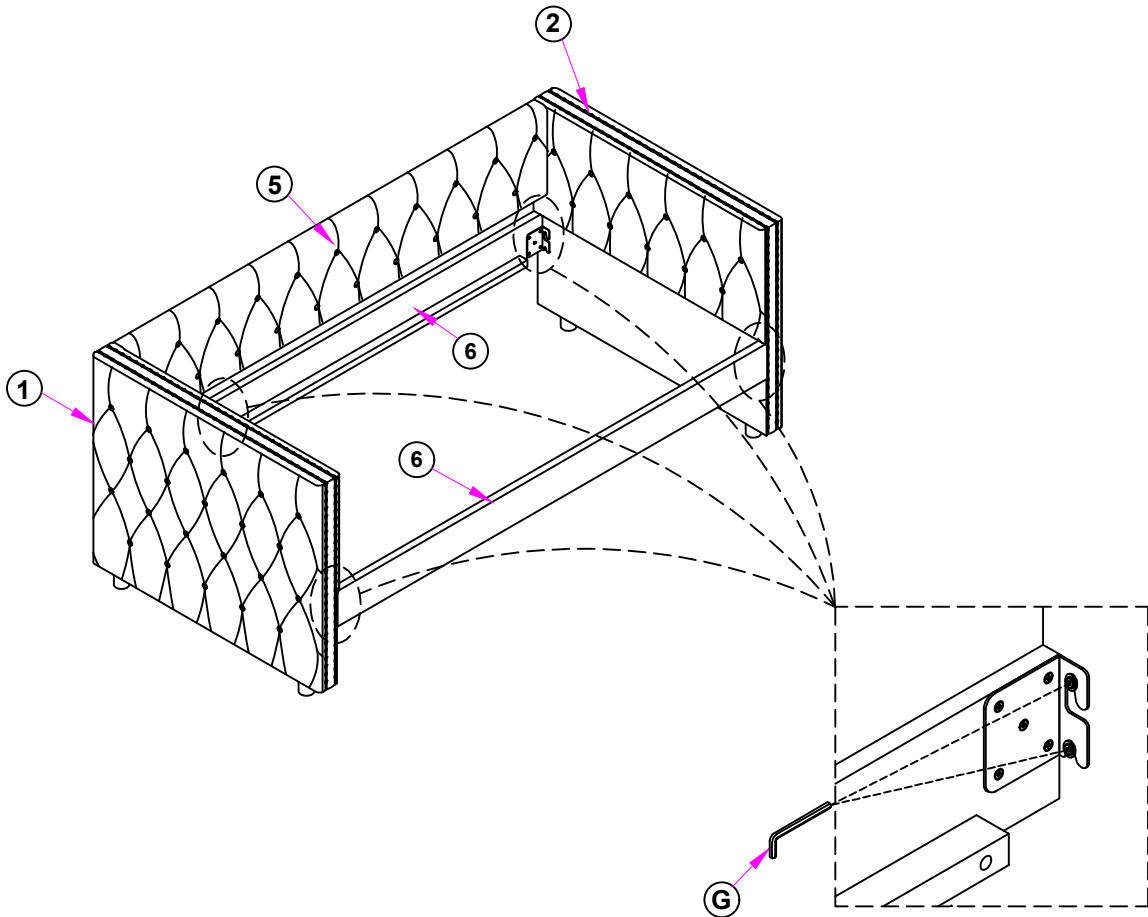
STEP 4



E	Flat Washer (Ø 5/16" -RBW)		4pcs
F	Hex Nut (2 pcs) (16mmx13mmx13mm)		4pc
H	Wrench (1 pc)		1pc

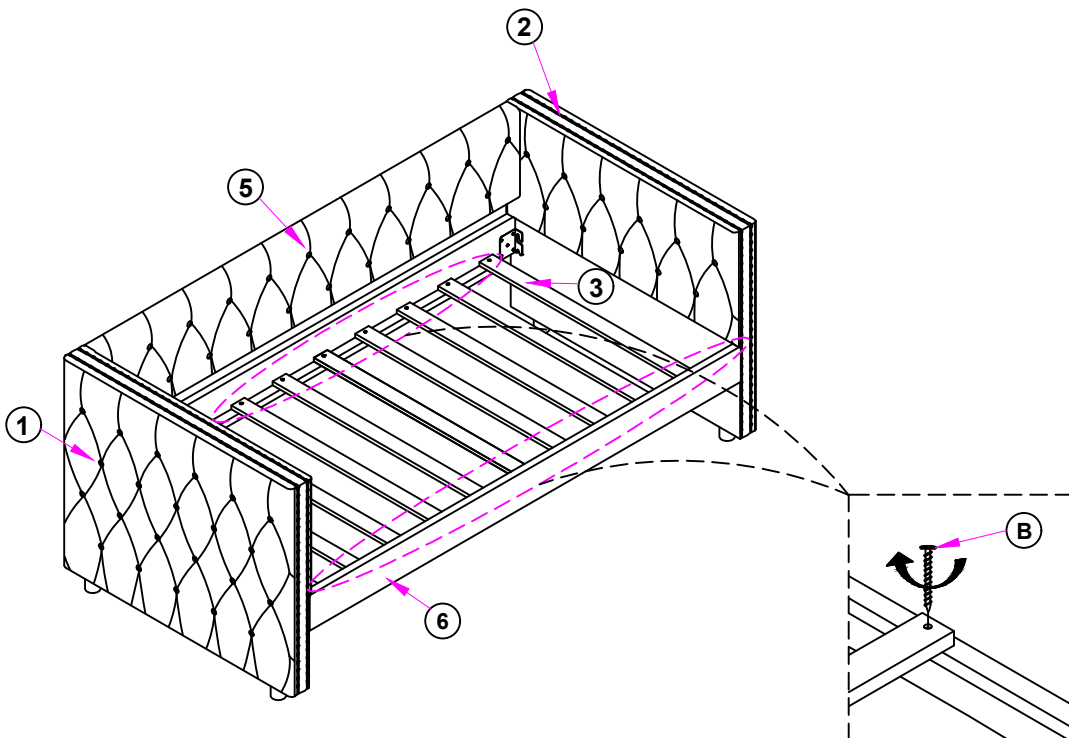
ASSEMBLY INSTRUCTIONS

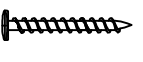
STEP 5



G	Allen Wrench (M4x75mm x32mm)		1pc
---	---------------------------------	---	-----

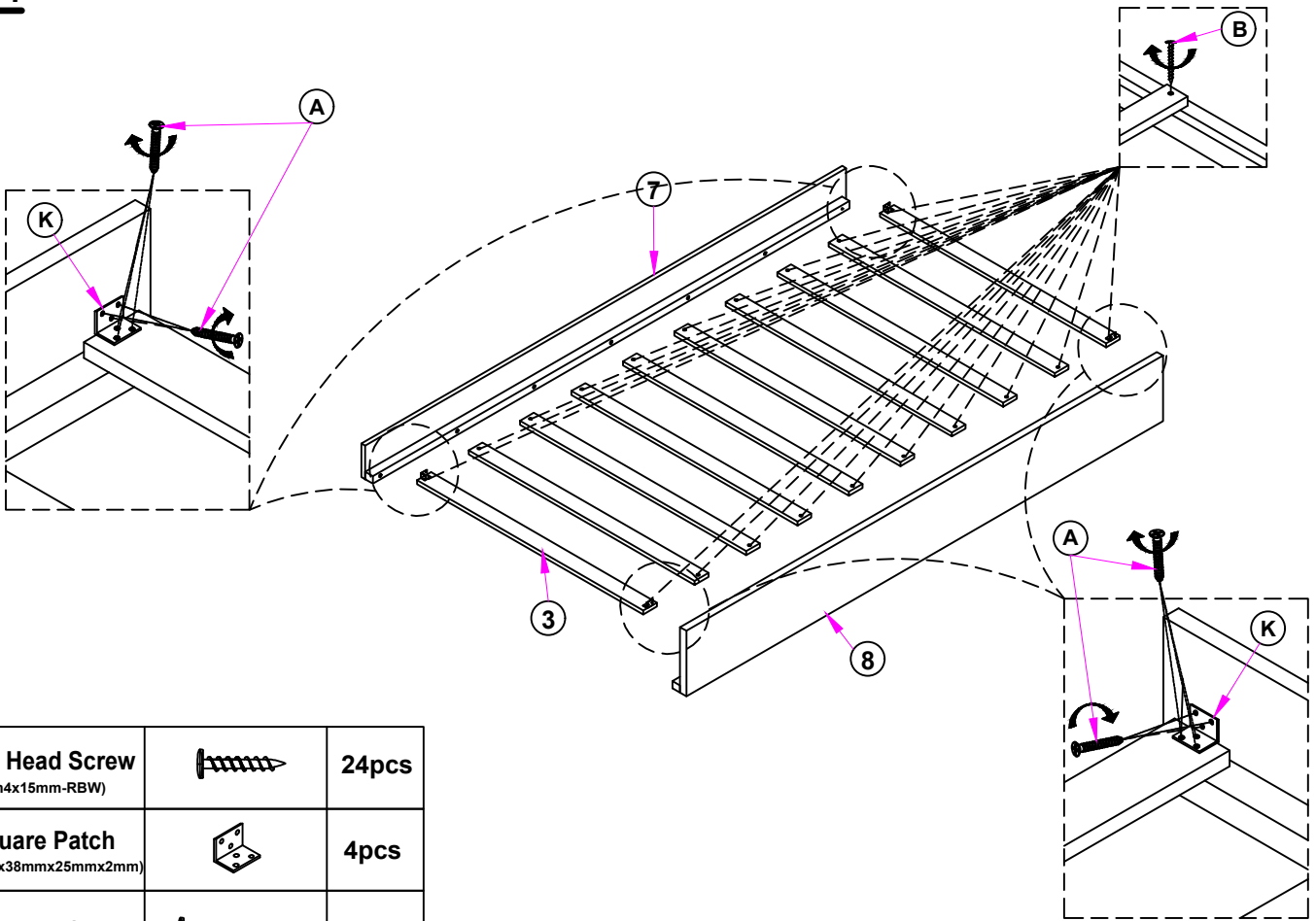
STEP 6

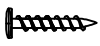

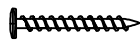


B	Flat Head Screw (m4x30mm-RBW)		20pcs
---	----------------------------------	---	-------

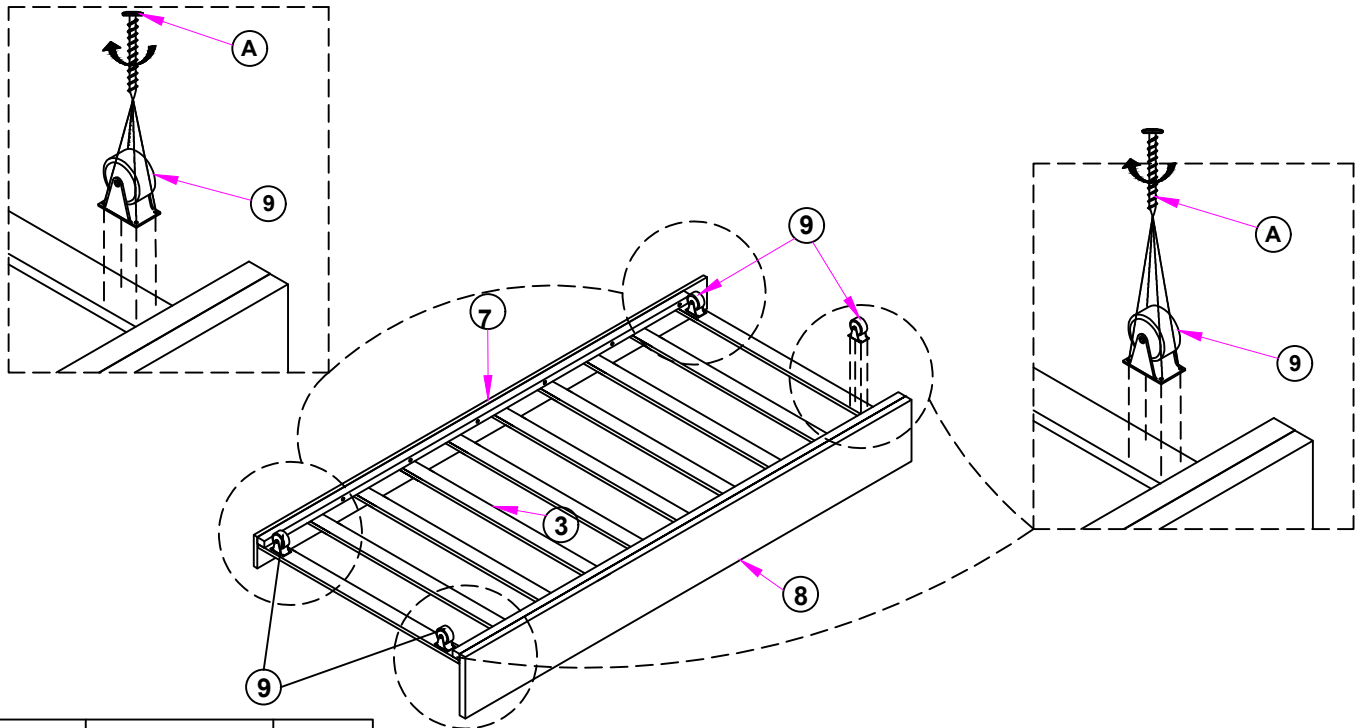
ASSEMBLY INSTRUCTIONS

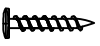

STEP 7



A	Flat Head Screw (m4x15mm-RBW)		24pcs
K	Square Patch (38mmx38mmx25mmx2mm)		4pcs
B	Flat Head Screw (m4x30mm-RBW)		20pcs

STEP 8



A	Flat Head Screw (m4x15mm-RBW)		16pcs
9	Wheels (m59x42mmx66mm)		4pcs

ASSEMBLY INSTRUCTIONS

STEP 9
COMPLETE

