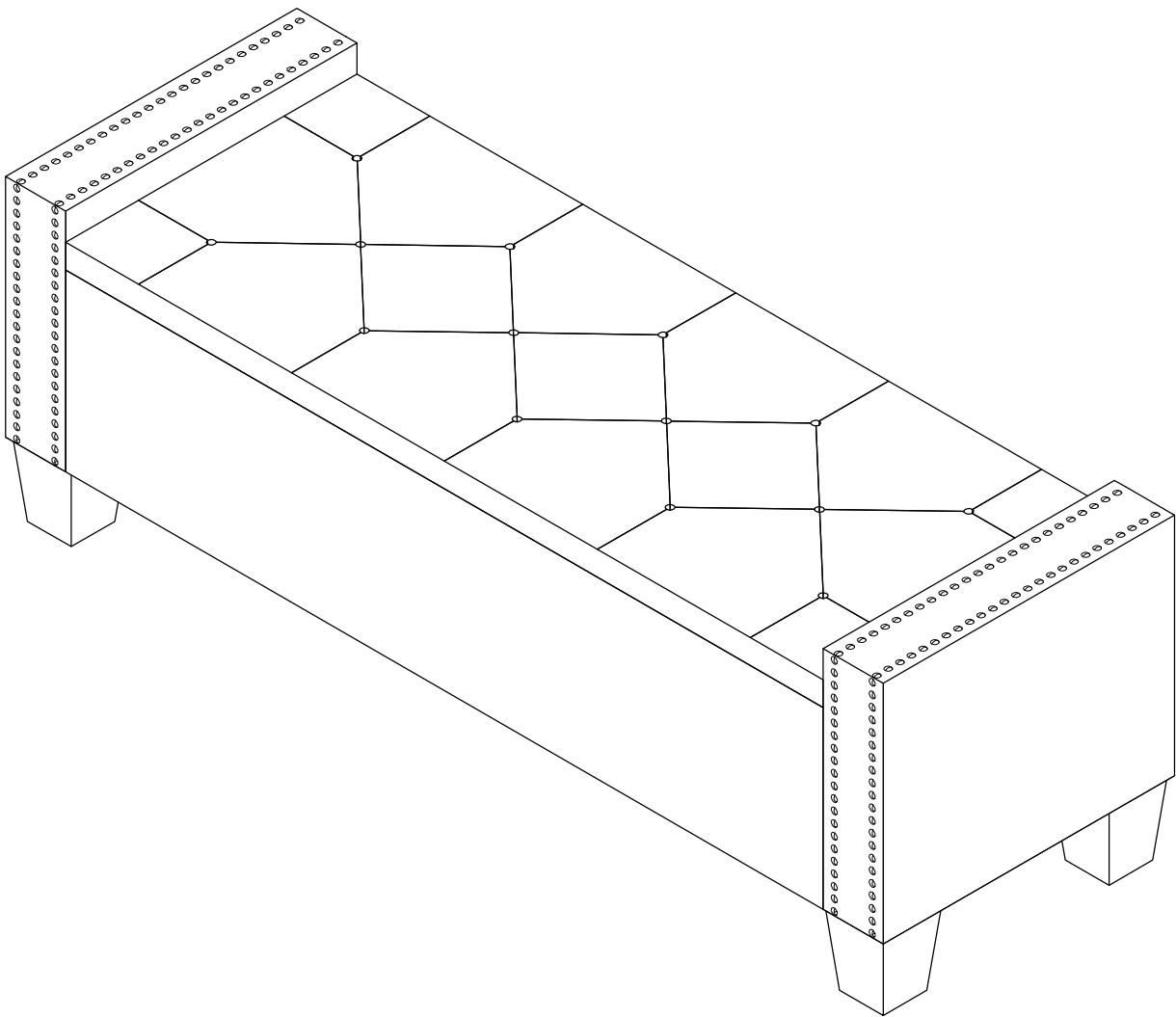
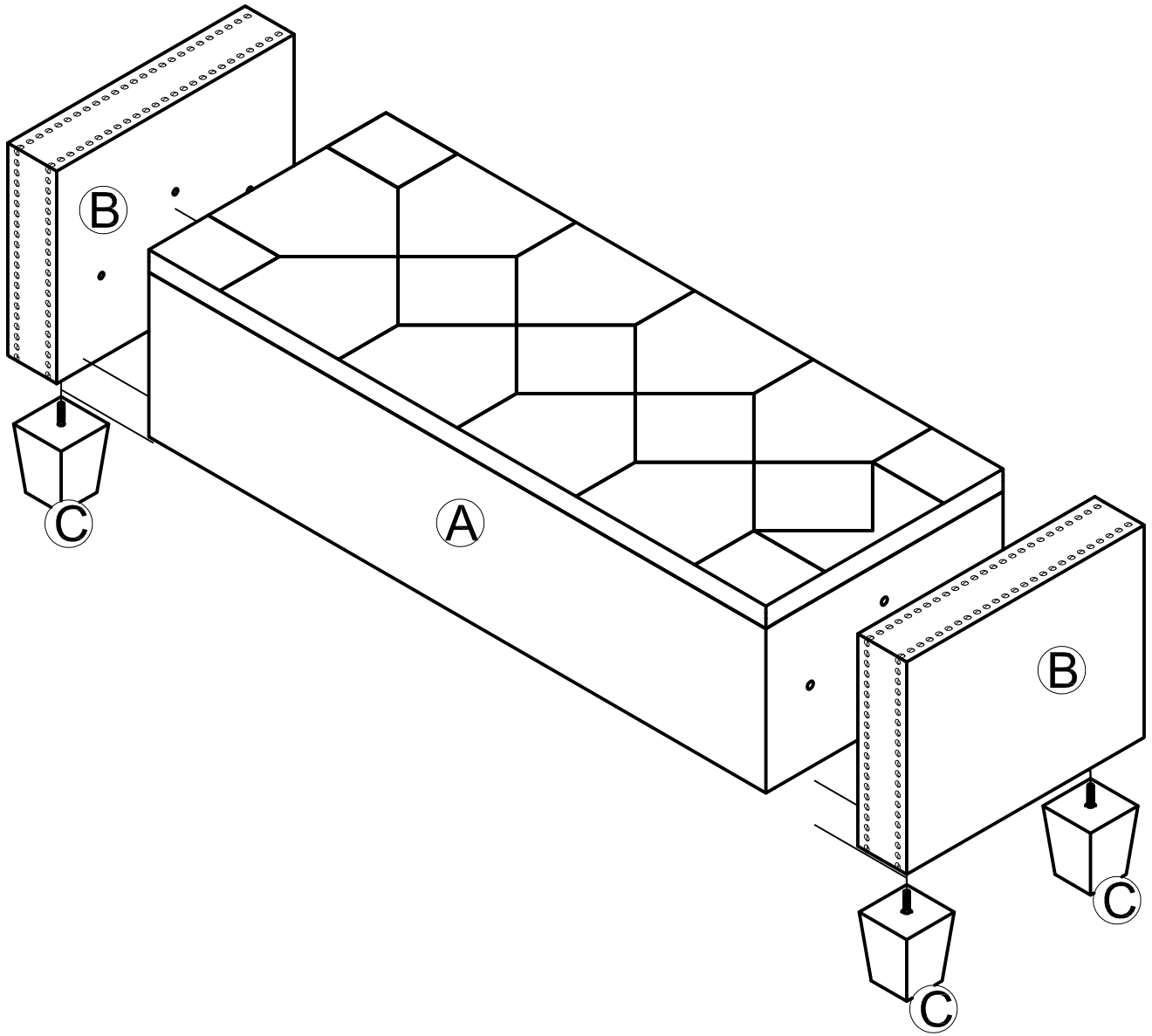


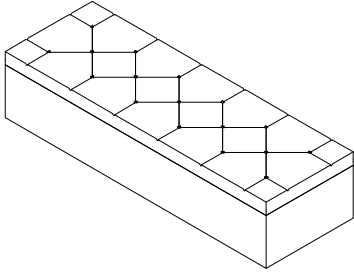
ASSEMBLY INSTRUCTION (WF322807)





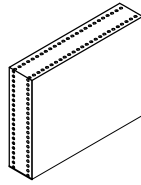
Part List (WF322807)

A



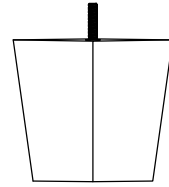
BENCH - 1pc

B



SIDE FRAME - 2pcs

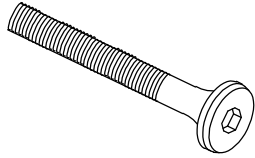
C



WOODEN LEG - 4pcs

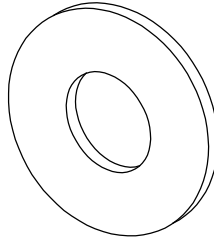
Hardware List (WF322807)

1



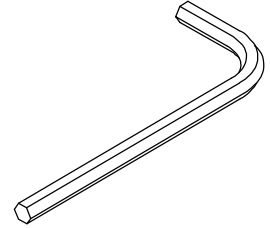
JCBC M6 x 40mm (8 pcs)

2

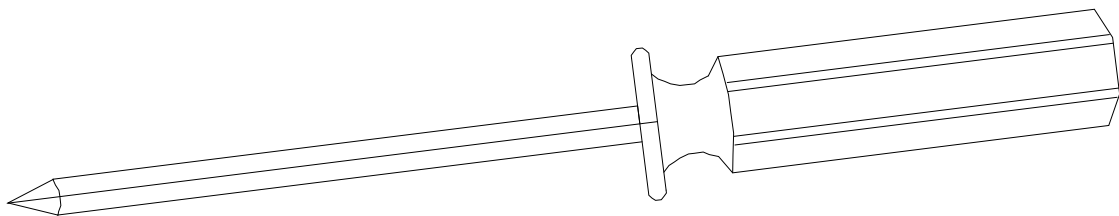


Flat Washer M6 (8 pcs)

3



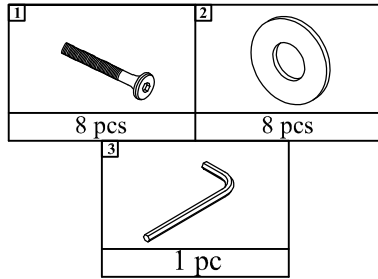
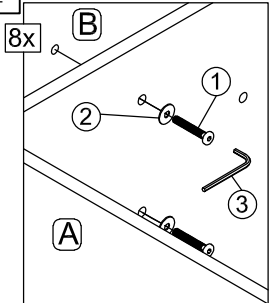
ALLEN KEY (1 pc)



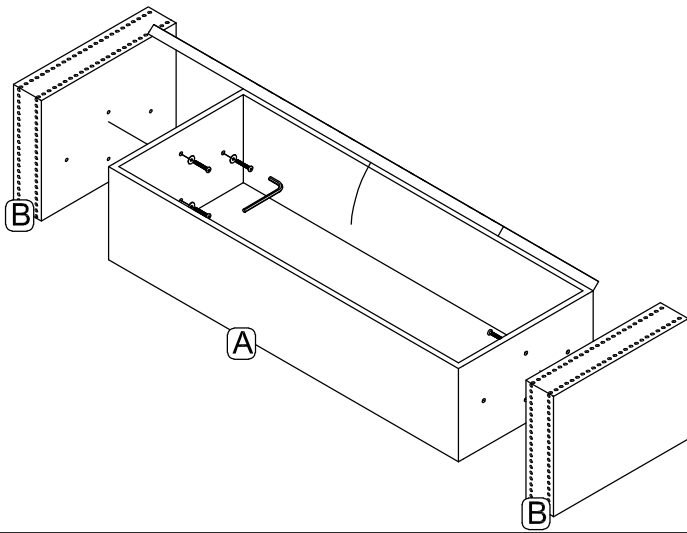
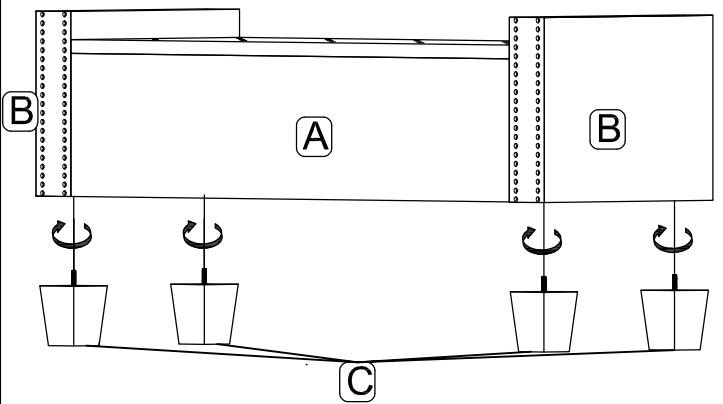
Assembly Tools
Required (Not Included)

Assembly Step

1



2



FULLY COMPLETED ASSEMBLY

