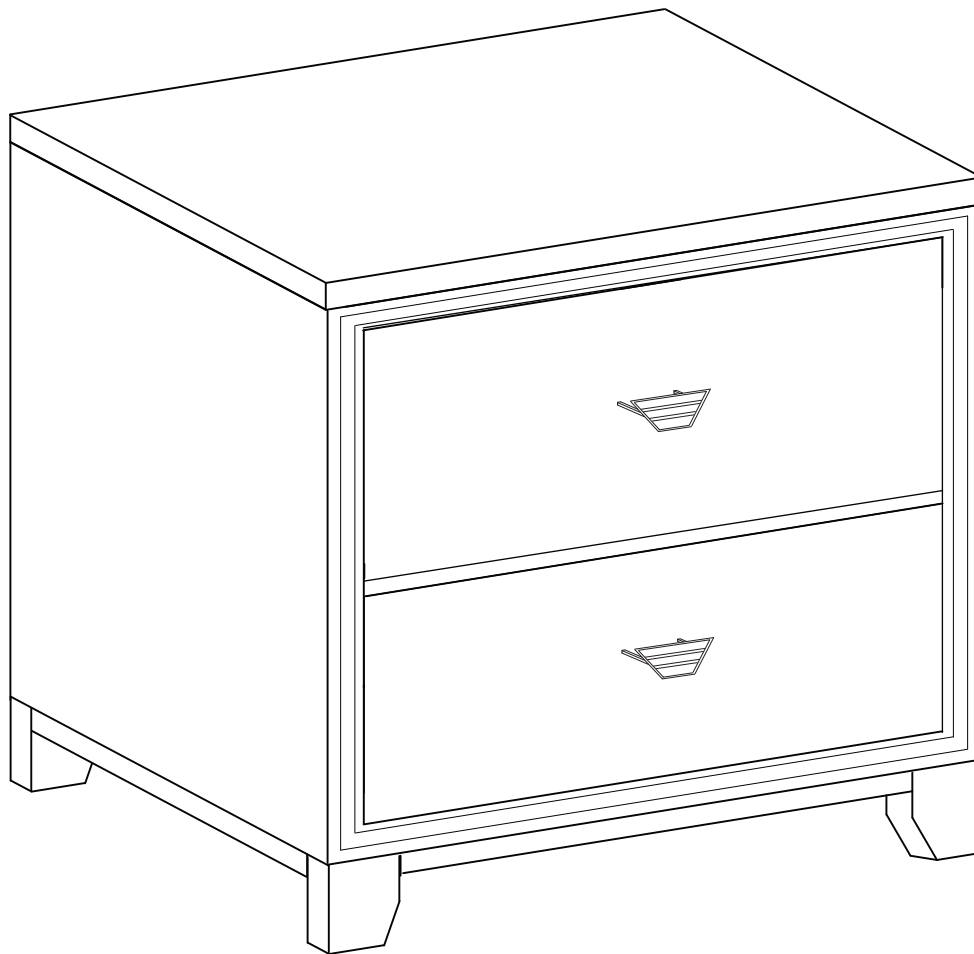


ASSEMBLY INSTRUCTION

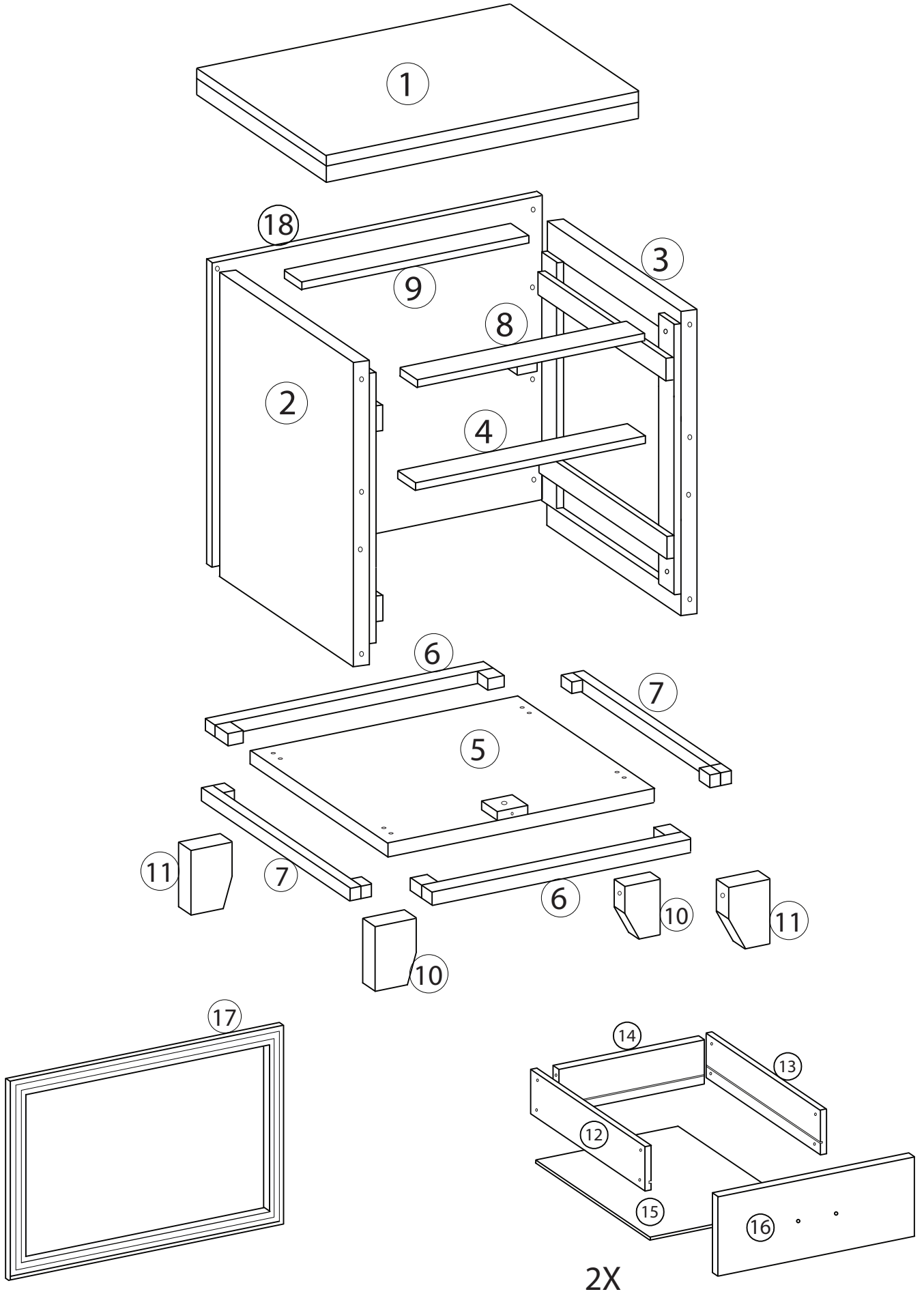
MODEL : NIGHTSTAND

WF 531200



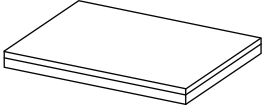
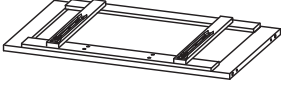
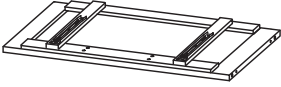

ASSEMBLY INSTRUCTION

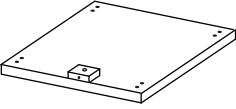
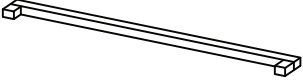

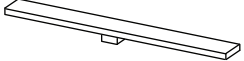
MODEL : NIGHTSTAND


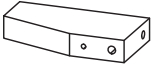
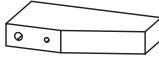



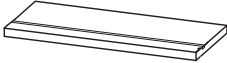

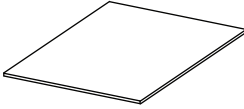
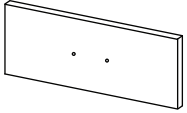
ASSEMBLY INSTRUCTION

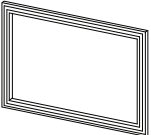
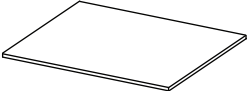
PART LIST

<p>1</p>  <p>TOP PANEL</p> <p>x 1</p>	<p>2</p>  <p>SIDE PANEL - L</p> <p>x 1</p>	<p>3</p>  <p>SIDE PANEL - R</p> <p>x 1</p>	<p>4</p>  <p>CENTER SUPPORT</p> <p>x 1</p>
--	---	--	---

<p>5</p>  <p>BOTTOM PANEL</p> <p>x 1</p>	<p>6</p>  <p>BOTTOM APRON-F/B</p> <p>x 2</p>	<p>7</p>  <p>BOTTOM APRON-L/R</p> <p>x 2</p>	<p>8</p>  <p>TOP FRONT SUPPORT</p> <p>x 1</p>
---	---	--	--

<p>9</p>  <p>TOP BACK SUPPORT</p> <p>x 1</p>	<p>10</p>  <p>SIDE LEG - L</p> <p>x 2</p>	<p>11</p>  <p>SIDE LEG - R</p> <p>x 2</p>	<p>12</p>  <p>INSIDE DRAWER - L</p> <p>x 2</p>
---	--	---	---

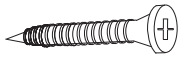
<p>13</p>  <p>INSIDE DRAWER - R</p> <p>x 2</p>	<p>14</p>  <p>INSIDE DRAWER - BACK</p> <p>x 2</p>	<p>15</p>  <p>INSIDE DRAWER-BOTTOM</p> <p>x 2</p>	<p>16</p>  <p>FRONT DRAWER PANEL</p> <p>x 2</p>
---	--	---	--

<p>17</p>  <p>DECO FRAME</p> <p>x 1</p>	<p>18</p>  <p>BACK PANEL</p> <p>x 1</p>
--	--

ASSEMBLY INSTRUCTION

HARDWARE LIST

(A)



M4 x 25mm
CSK SCREW

x 16

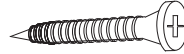
(B)



M3.5 x 16mm
CSK SCREW

x 20

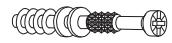
(C)



M4 x 30mm
CSK SCREW

x 32

(D)



CAM BOLT

x 20

(E)



CAM LOCK

x 20

(F)



M6 x 30mm
WOOD DOWEL

x 10

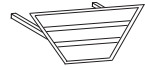
(G)



M4 x 15mm
THRUSTER SCREW

x 4

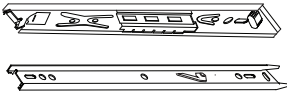
(H)



HANDLE

x 2

(I)

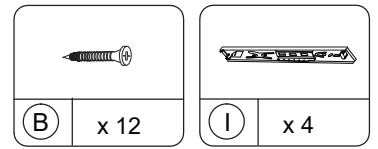
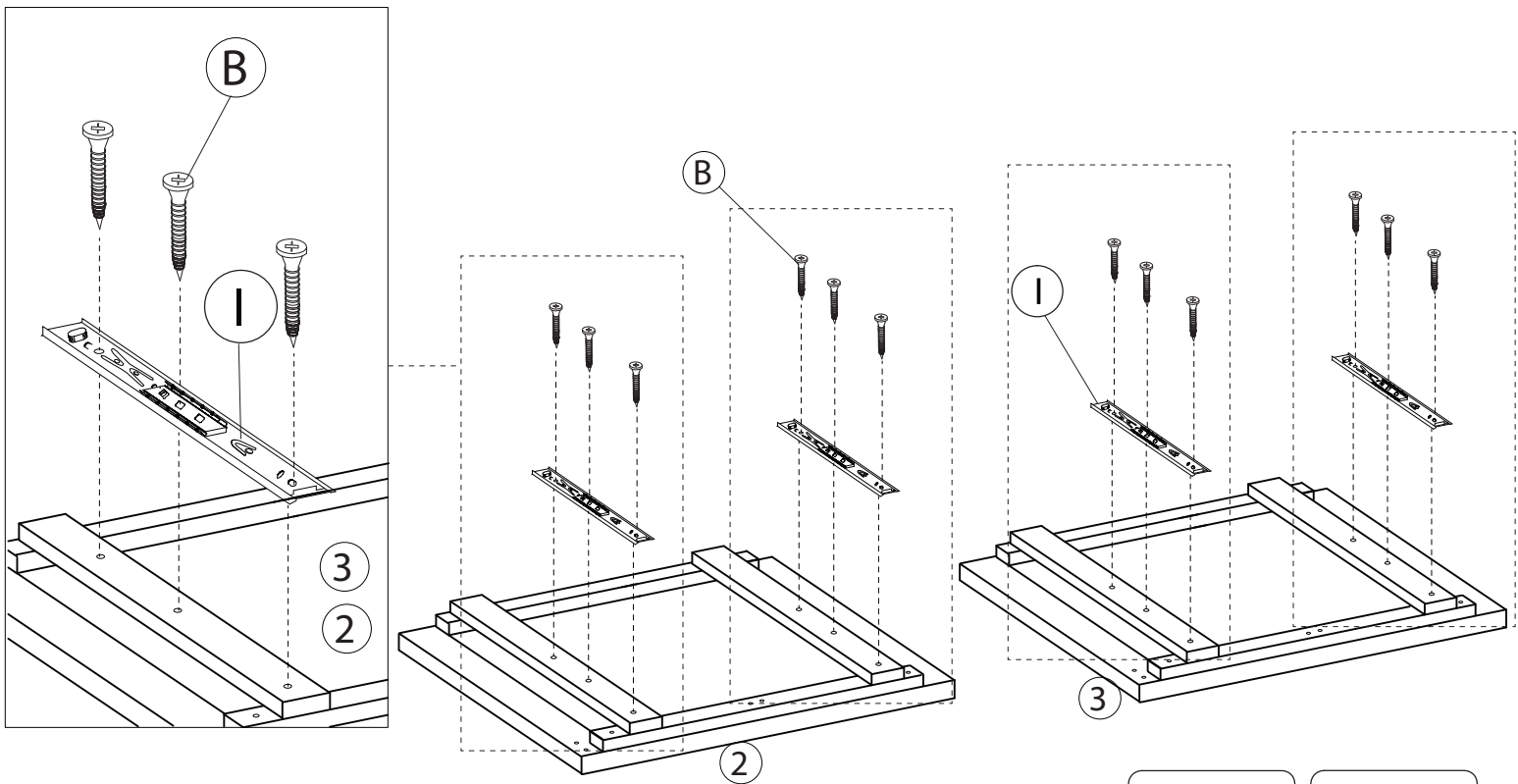


RUNNER

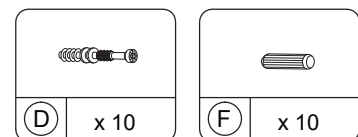
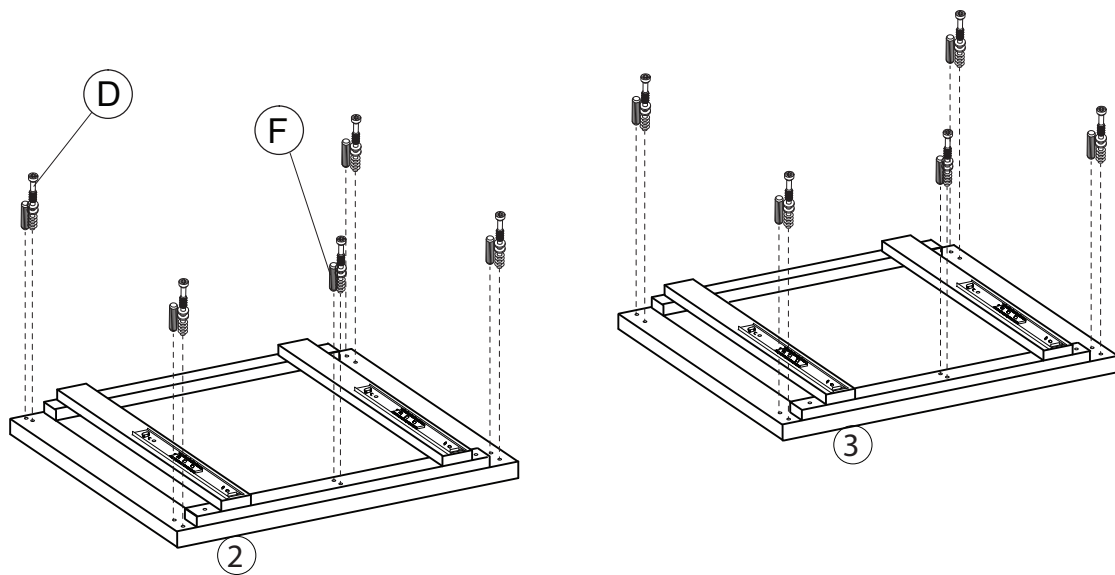
x 4

ASSEMBLY INSTRUCTION

STEP 1



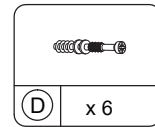
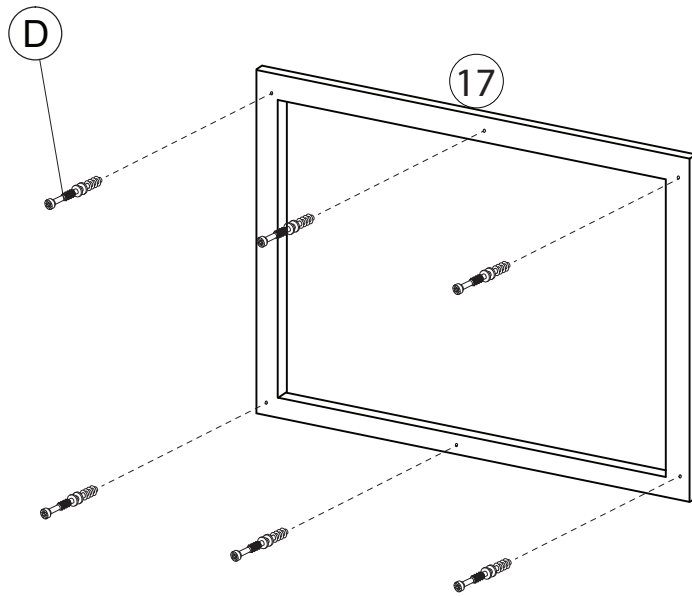
STEP 2



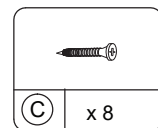
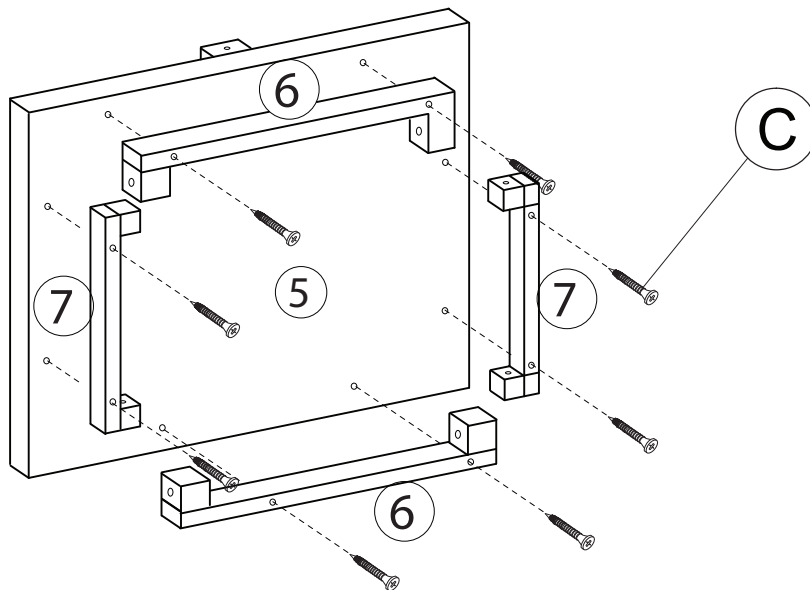
ASSEMBLY INSTRUCTION

STEP 3

BACK VIEW

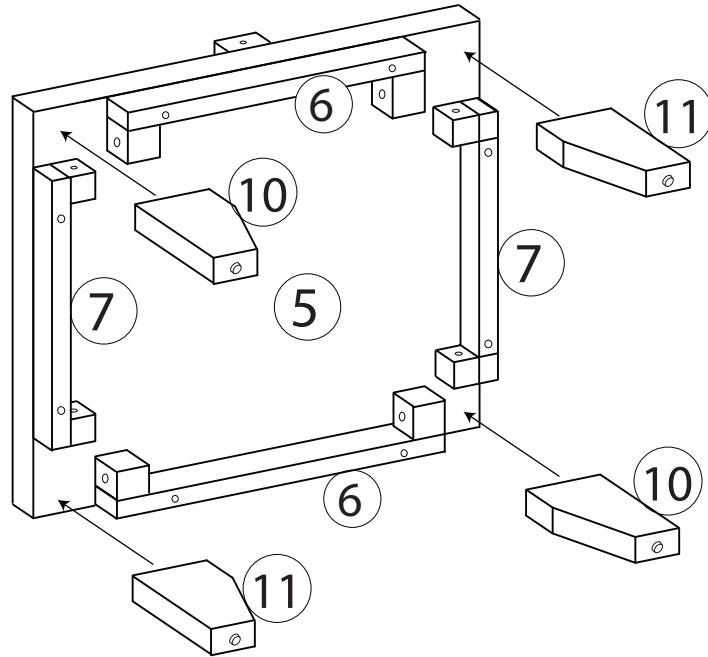


STEP 4

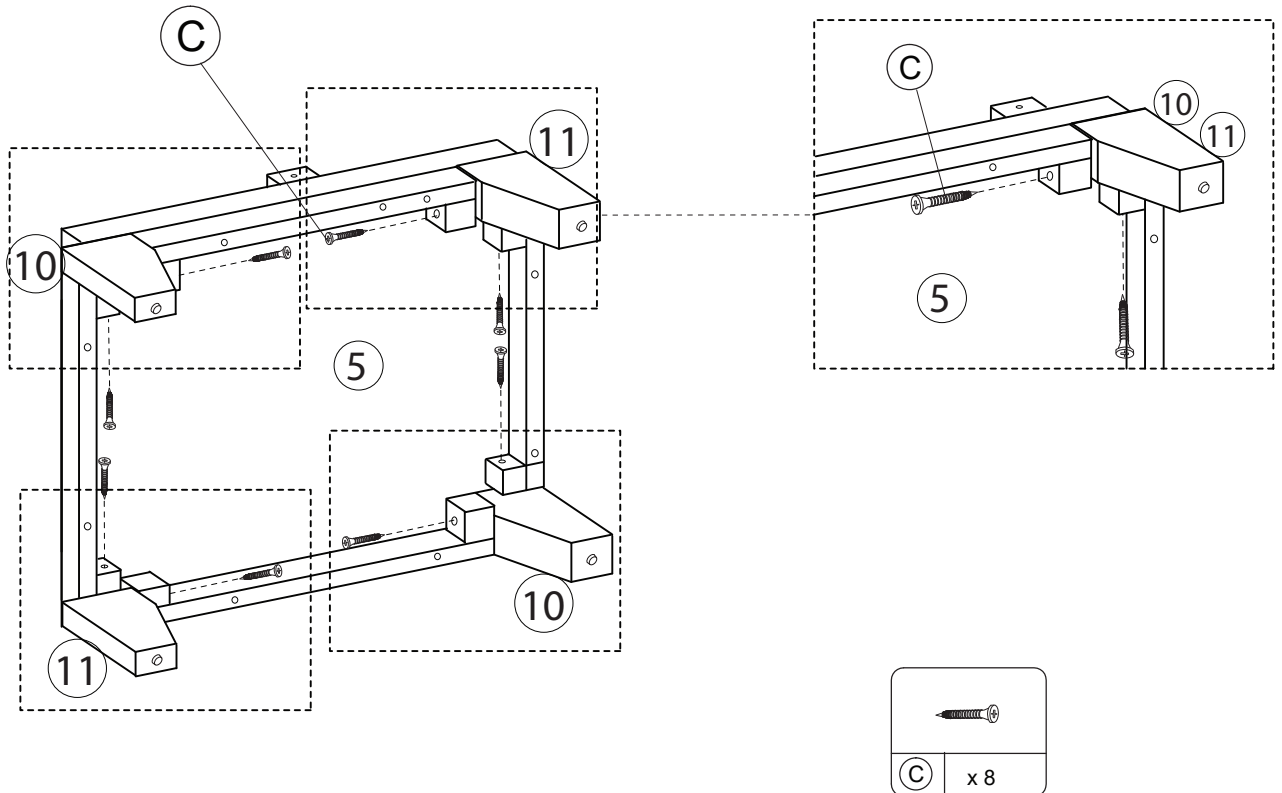


ASSEMBLY INSTRUCTION

STEP 5

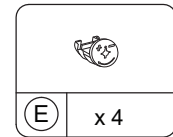
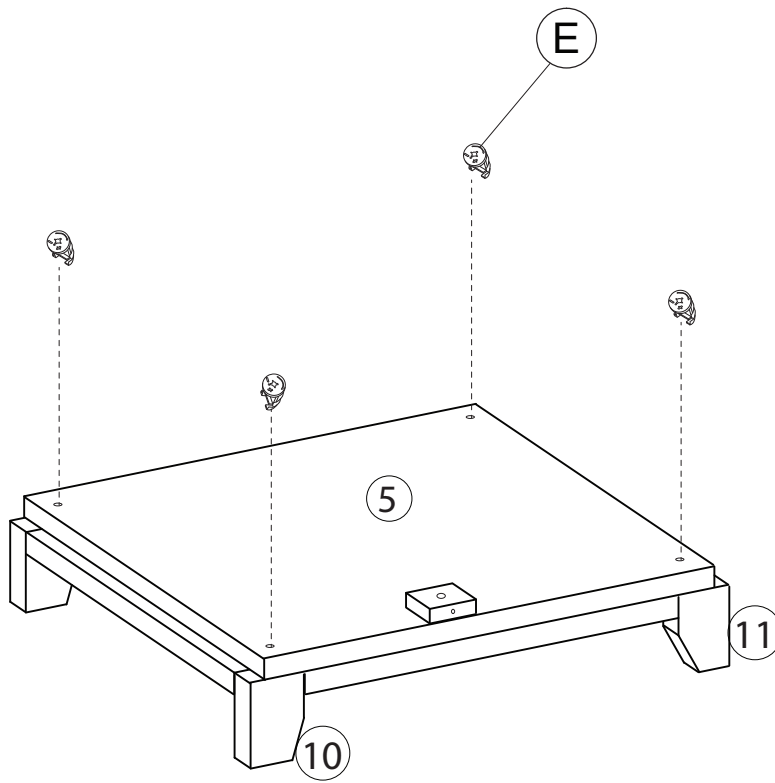


STEP 6

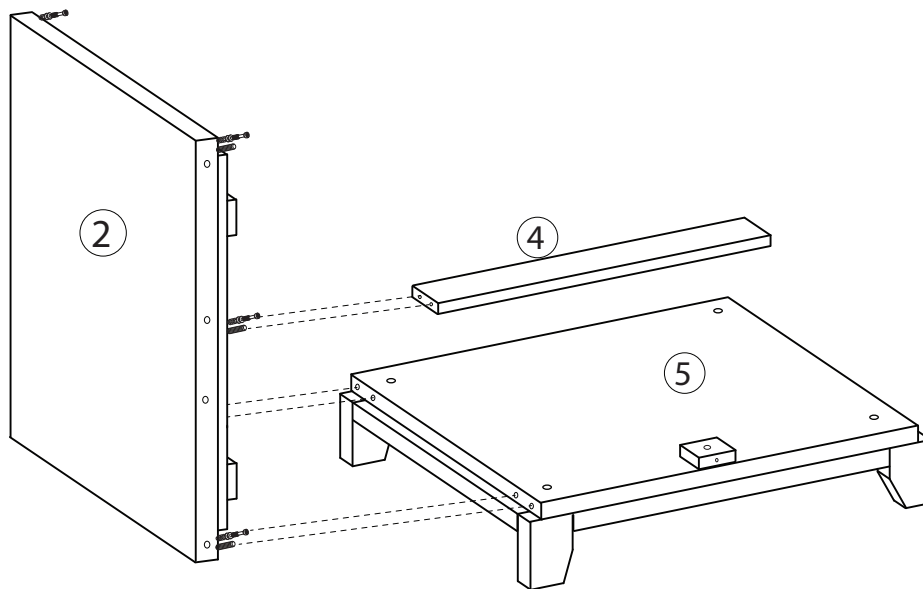


ASSEMBLY INSTRUCTION

STEP 7

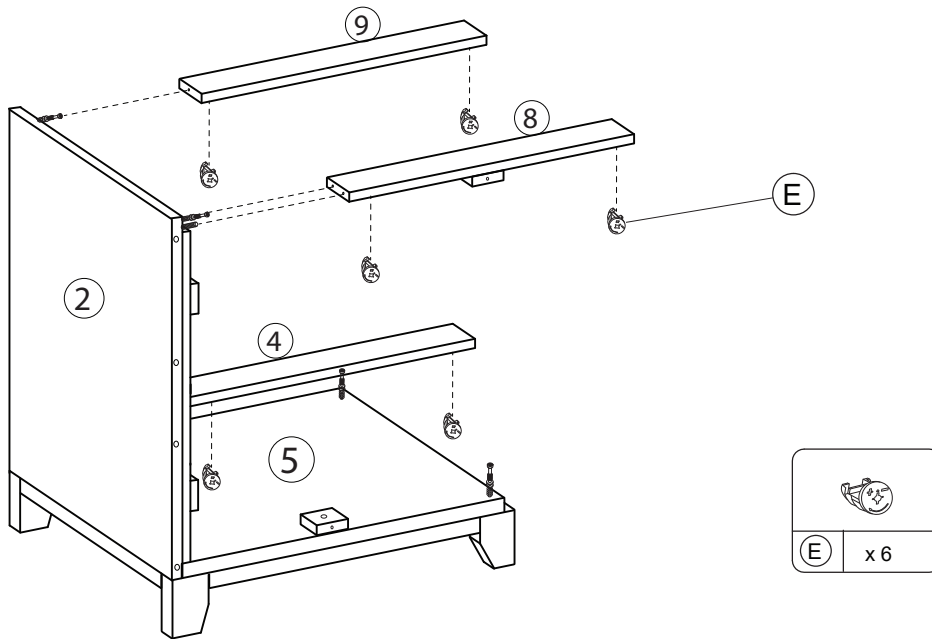


STEP 8

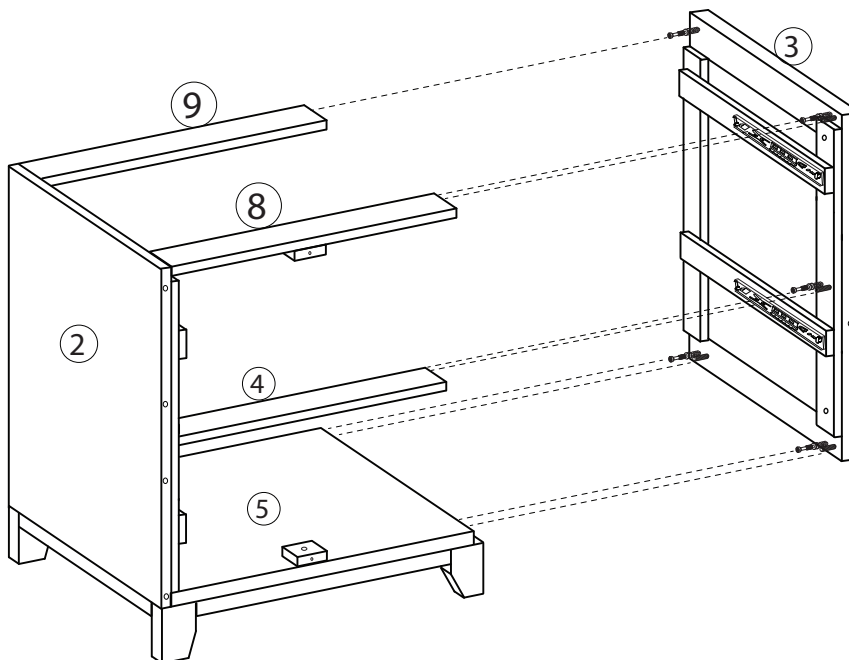


ASSEMBLY INSTRUCTION

STEP 9



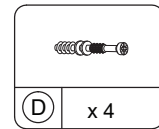
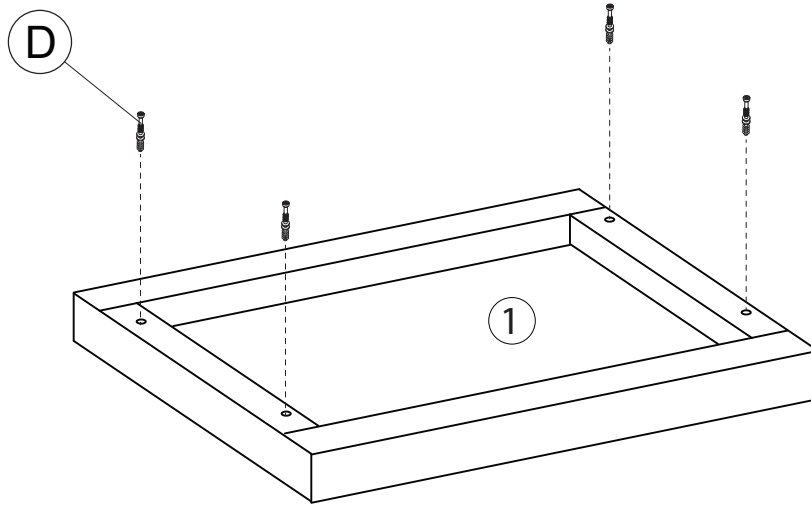
STEP 10



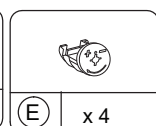
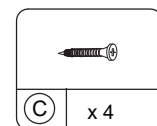
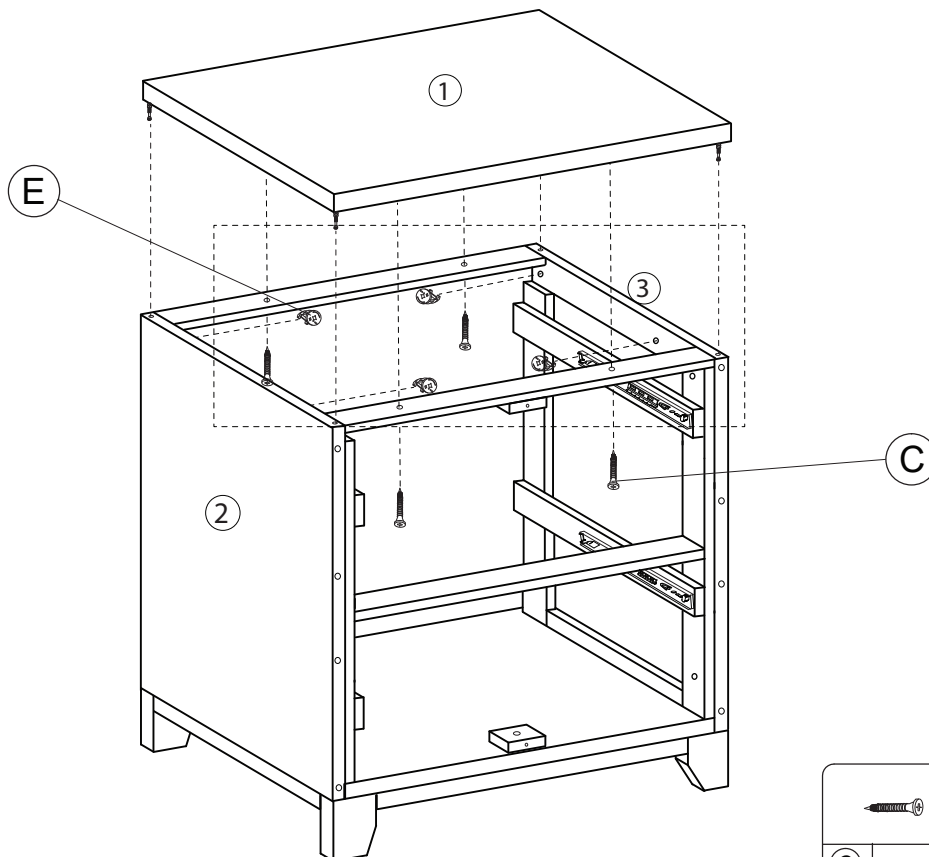
ASSEMBLY INSTRUCTION

STEP 11

BACK VIEW

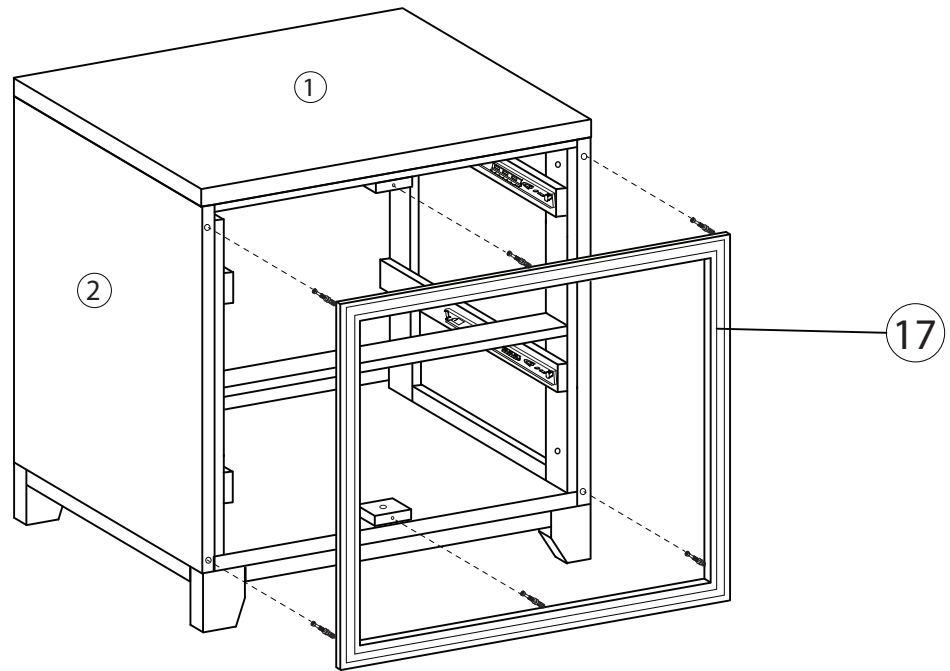


STEP 12

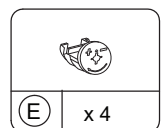
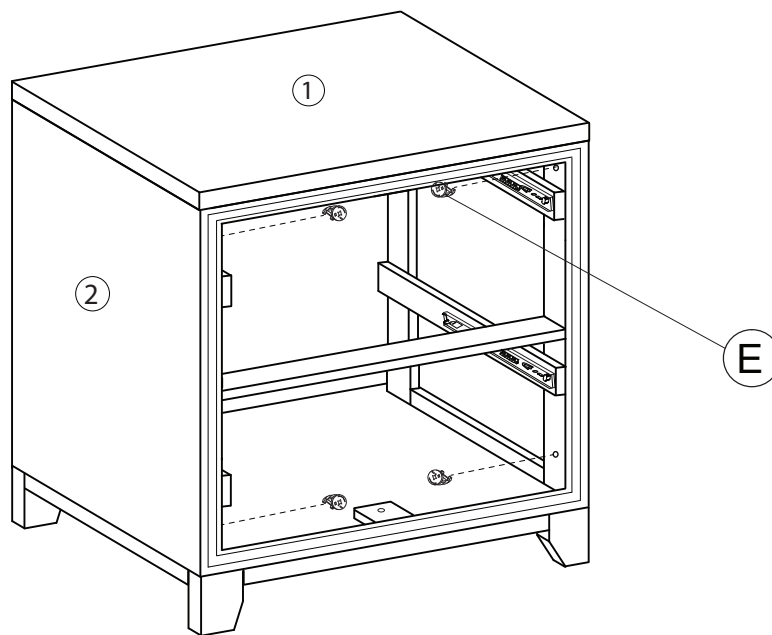


ASSEMBLY INSTRUCTION

STEP 13

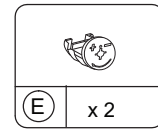
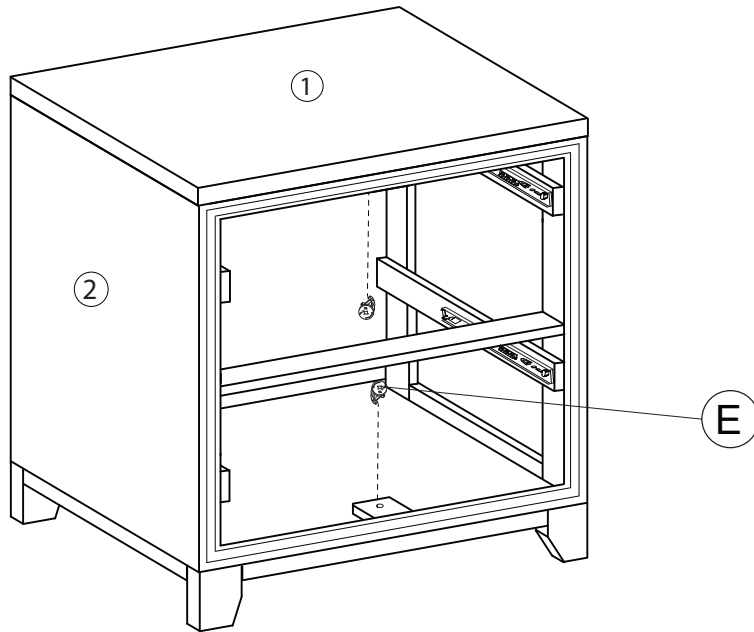


STEP 14

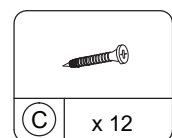
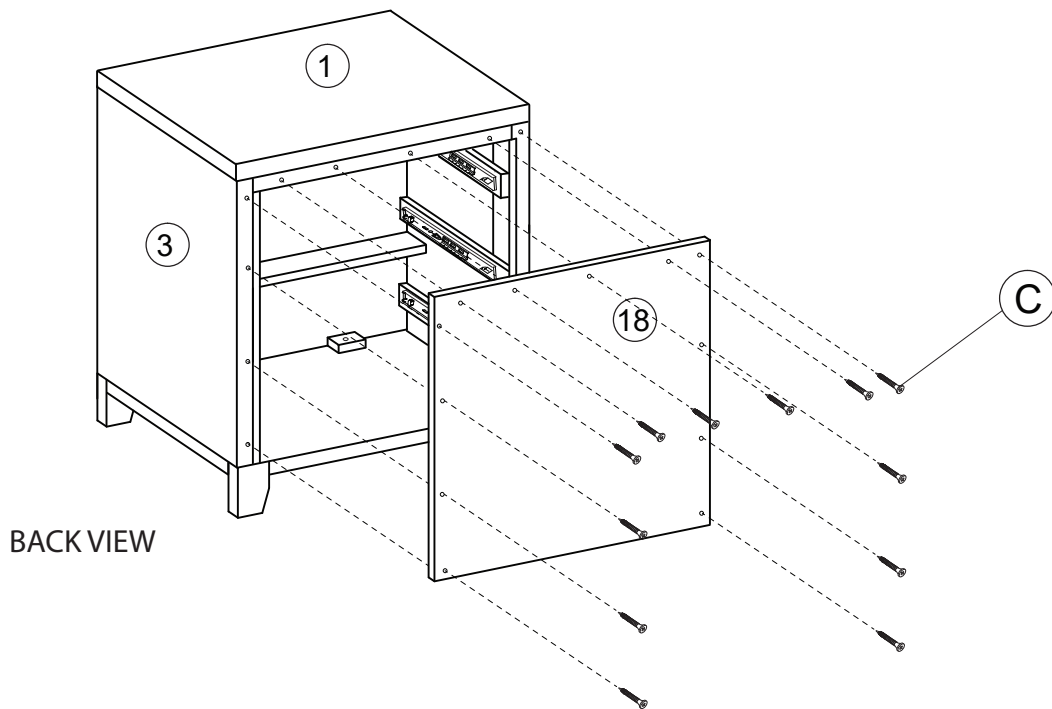


ASSEMBLY INSTRUCTION

STEP 15

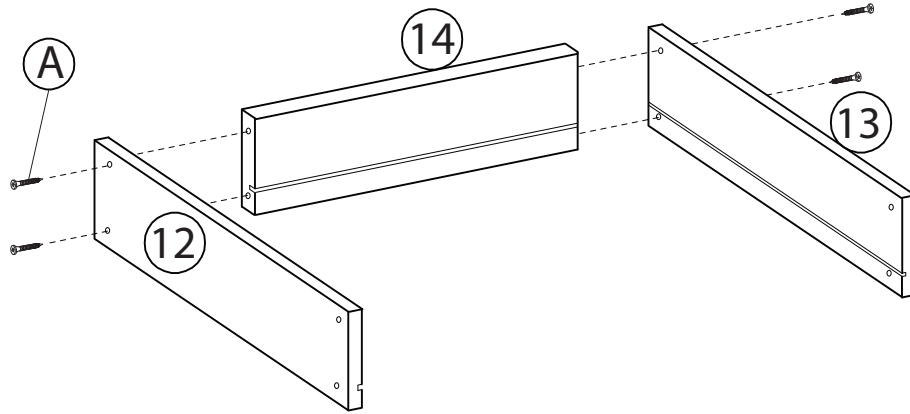


STEP 16

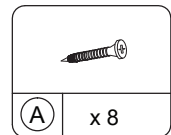


ASSEMBLY INSTRUCTION

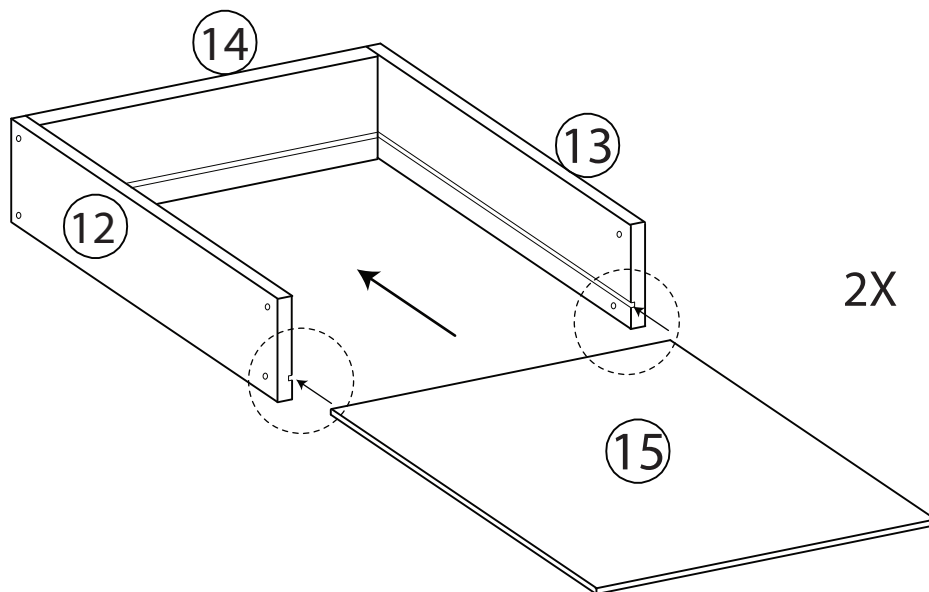
STEP 17



2x



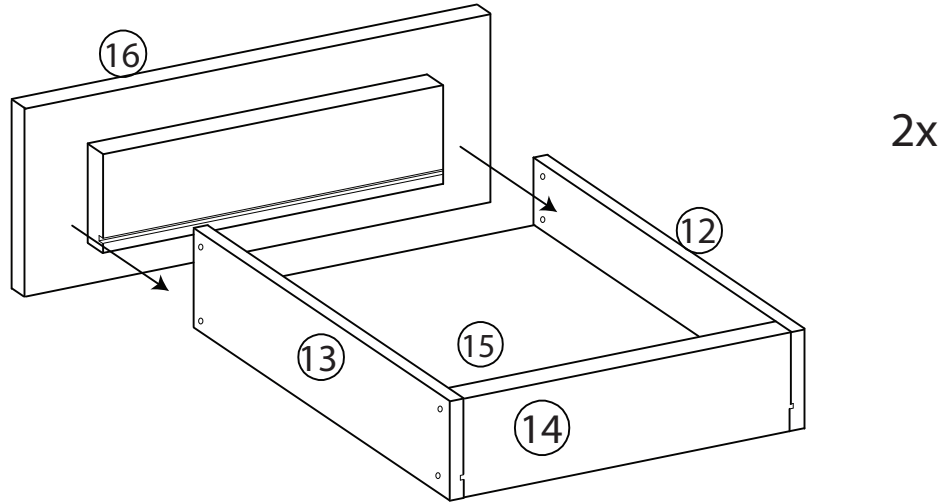
STEP 18



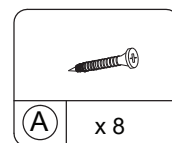
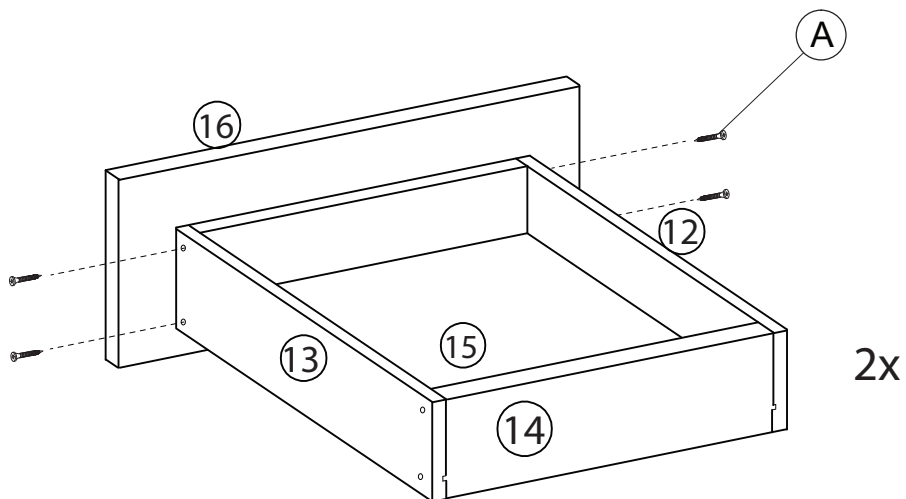
2X

ASSEMBLY INSTRUCTION

STEP 19

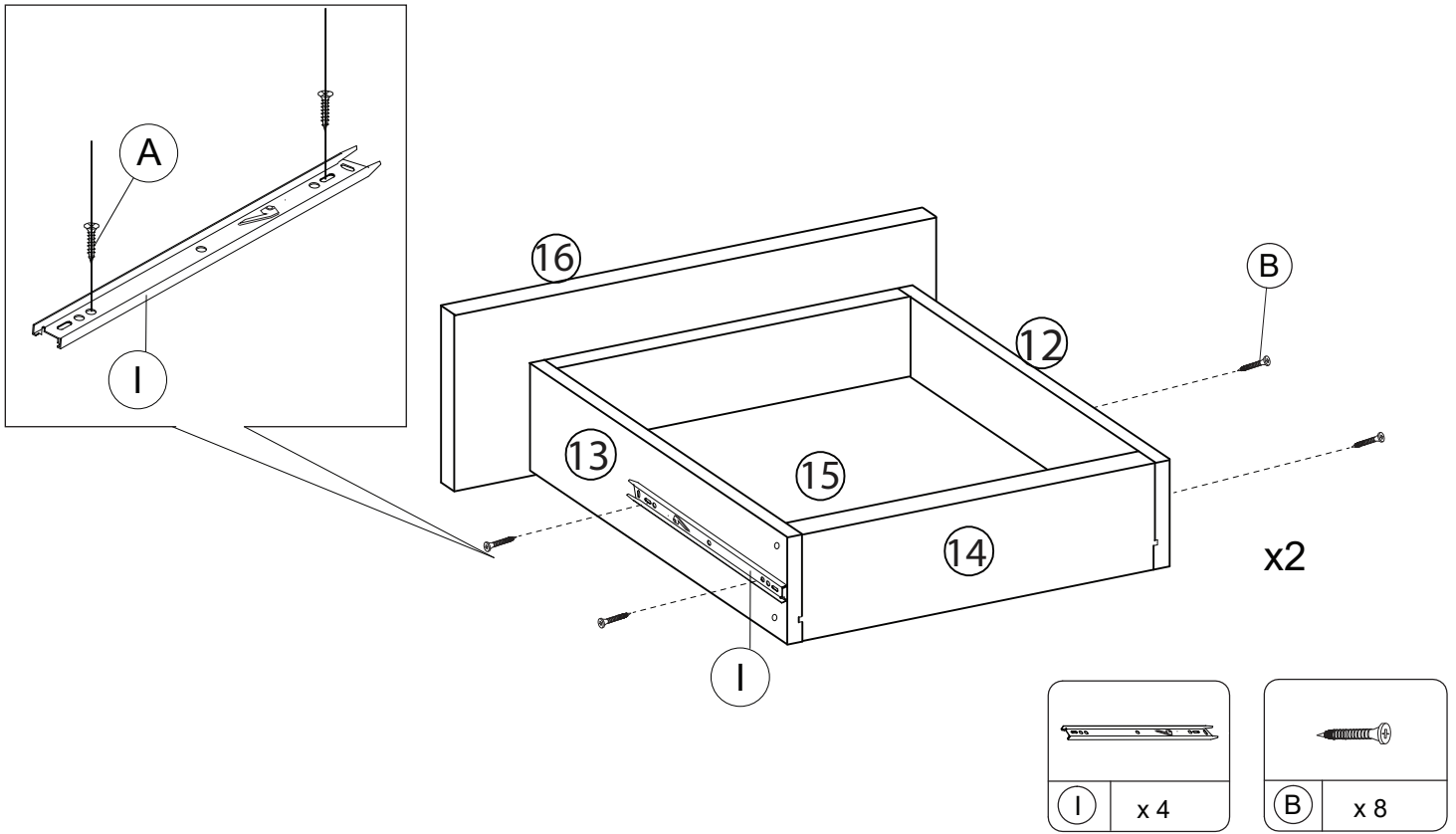


STEP 20

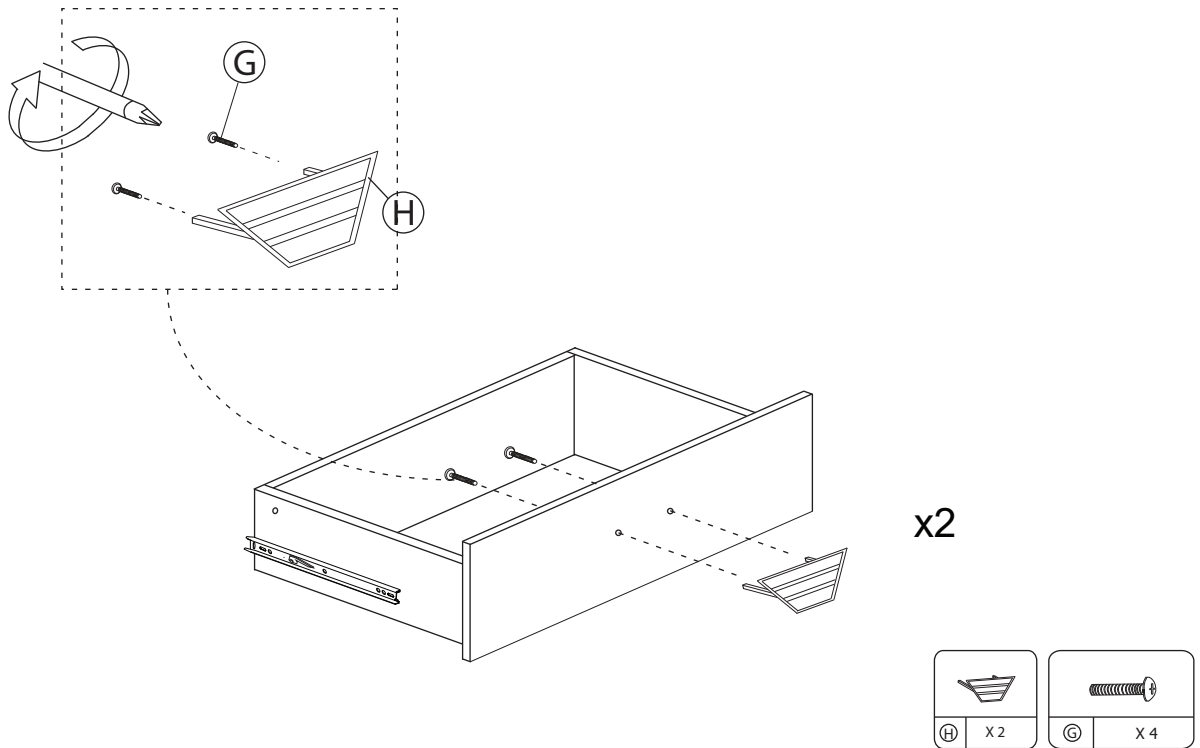


ASSEMBLY INSTRUCTION

STEP 21

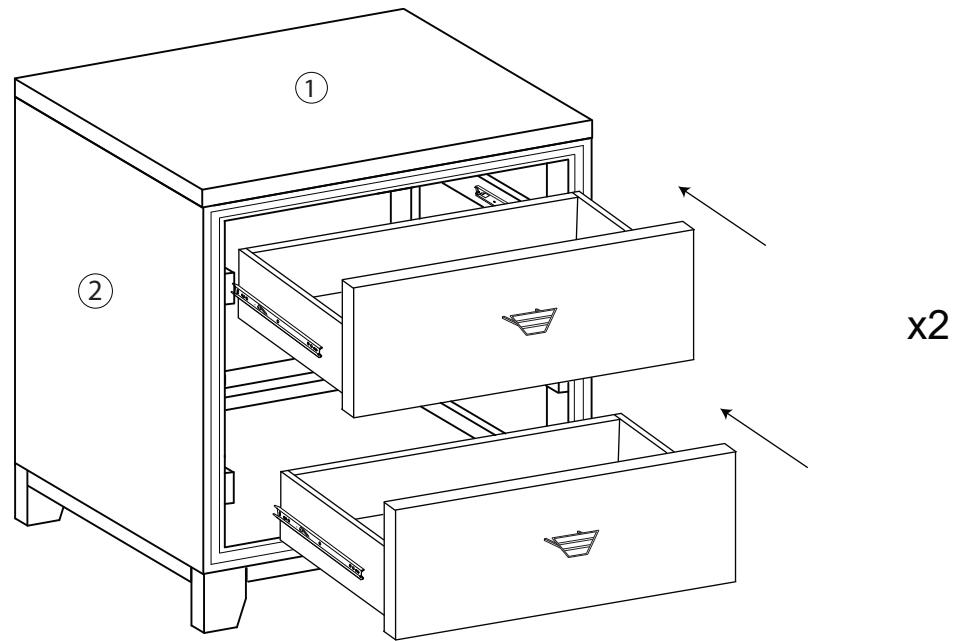


STEP 22

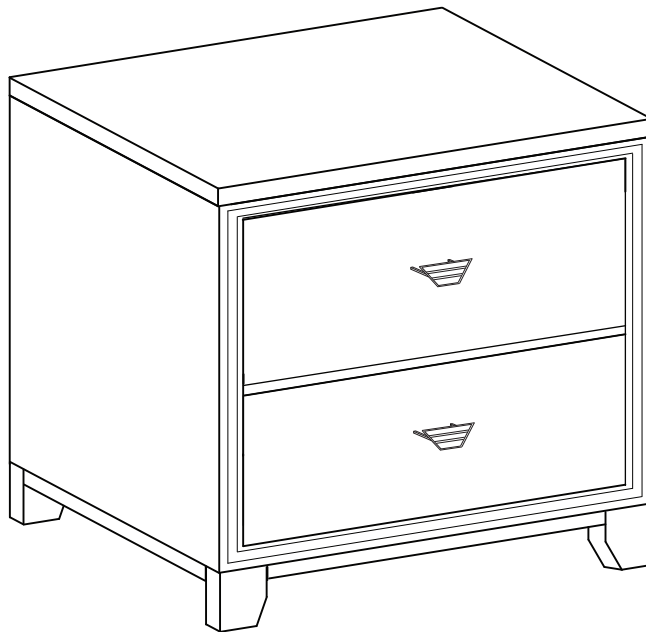


ASSEMBLY INSTRUCTION

STEP 23



STEP 24



COMPLETED ASSEMBLED