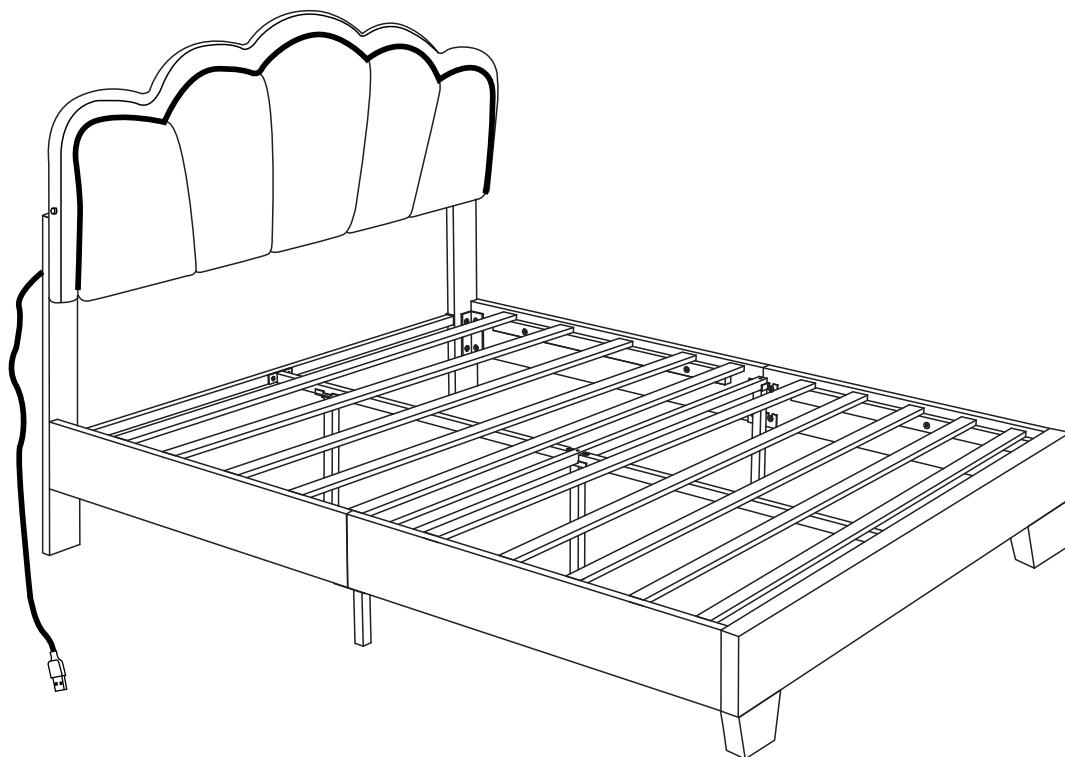


ASSEMBLY INSTRUCTIONS

N733P177307/N733P177308



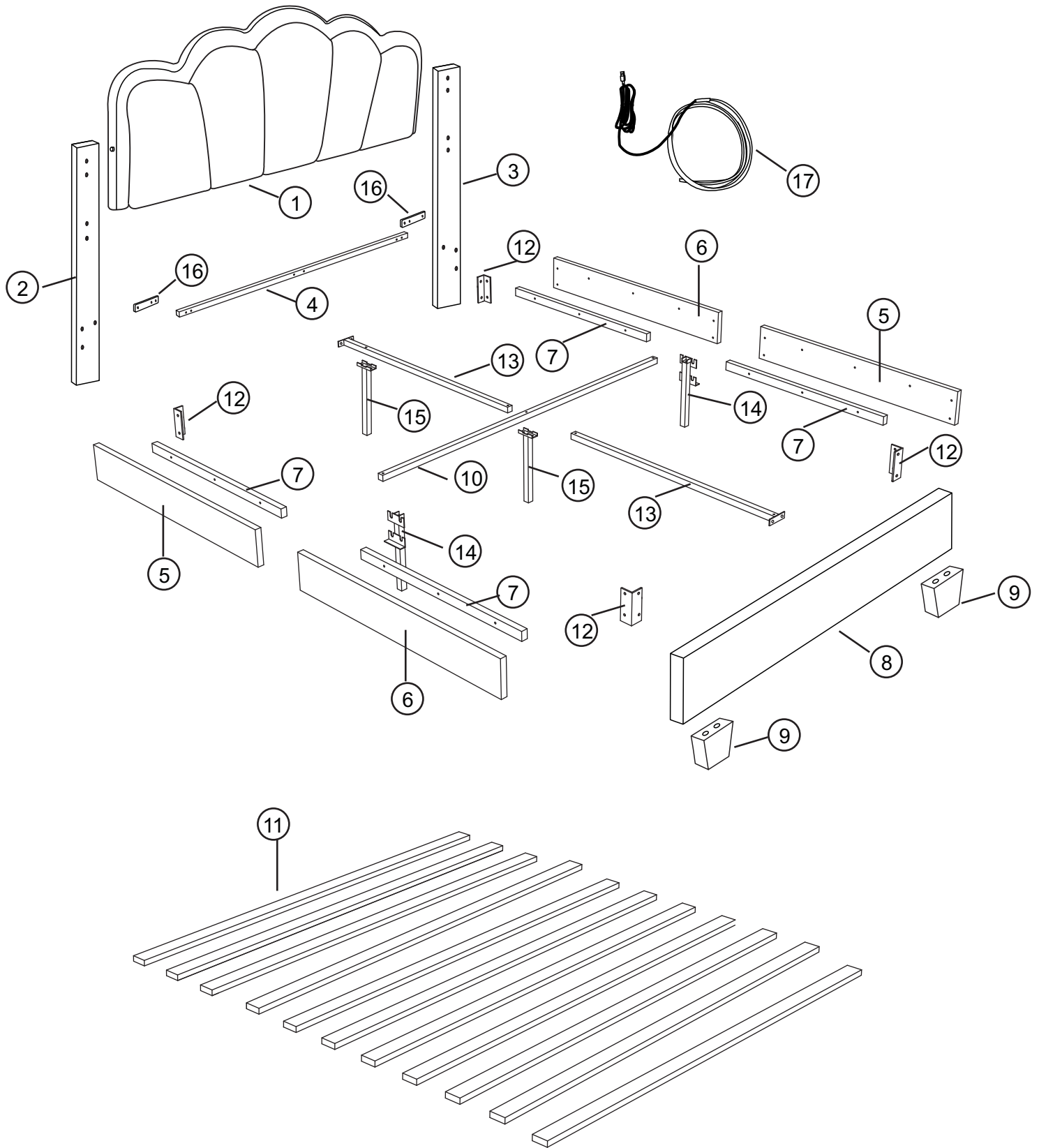
IMPORTANT NOTE

**PLACE ALL PARTS ON A CLEAN AND SMOOTH SURFACE SUCH AS A RUG OR CARPET TO AVOID THE PARTS FROM BEING SCRATCHED

**BEFORE YOU BEGIN, KINDY FOLLOW THE ASSEMBLY INSTRUCTIONS STEP BY STEP

**DO NOT TIGHTEN ALL SCREWS AND BOLTS UNTIL THE BED IS FULLY SET-UP

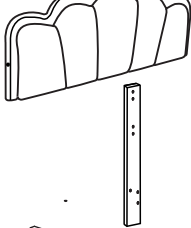

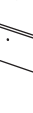
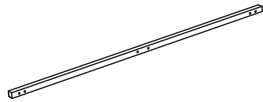
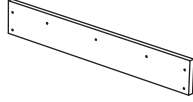
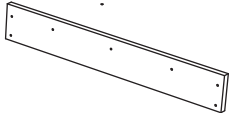
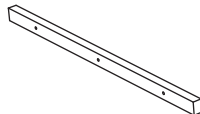
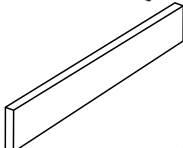
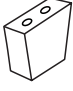

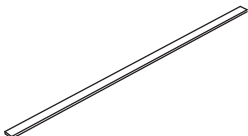
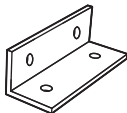



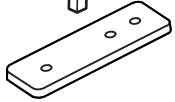

ASSEMBLY INSTRUCTIONS



ASSEMBLY INSTRUCTIONS





PARTS IDENTIFICATION

N733P177307/N733P177308

| | | | | | | | |
|----|----------------|---|-------|----|-------------|---|------|
| 1 | Headboard |  | 1pc | 2 | Post |  | 1pc |
| 3 | Post |  | 1pc | 4 | Support Bar |  | 1pc |
| 5 | Side Panel |  | 2pcs | 6 | Side Panel |  | 2pcs |
| 7 | Bed side plate |  | 4pcs | 8 | Footboard |  | 1pc |
| 9 | Leg |  | 2pcs | 10 | Center Rail |  | 1pc |
| 11 | SLAT |  | 10pcs | 12 | Bracket |  | 4pcs |
| 13 | Center rail |  | 2pcs | 14 | Support Leg |  | 2pcs |
| 15 | Support Leg |  | 2pcs | 16 | Bracket |  | 2pcs |
| 17 | Light Strip |  | 1pc | | | | |

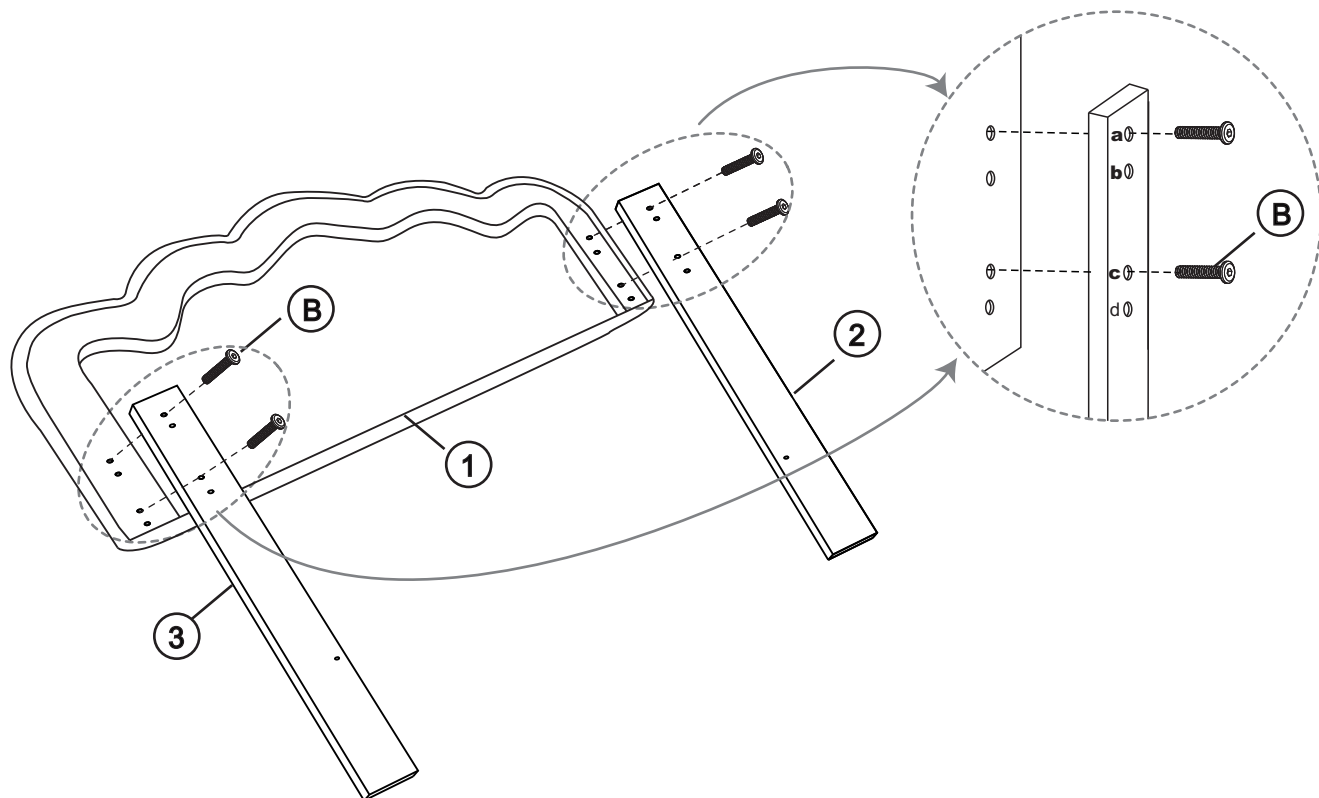
HARDWARE IDENTIFICATION


HARDWARES IN N733P177307/N733P177308

| | | | | | | | |
|---|--------------------|---|-------|---|---------------------------------|---|-------|
| A | Bolt (Ø 6X70mm) |  | 4pcs | B | Bolt (Ø 8X40mm) |  | 22pcs |
| C | Bolt (Ø8X20mm) |  | 34pcs | D | Allen Wrench (M4x75mm x32mm) |  | 1pc |

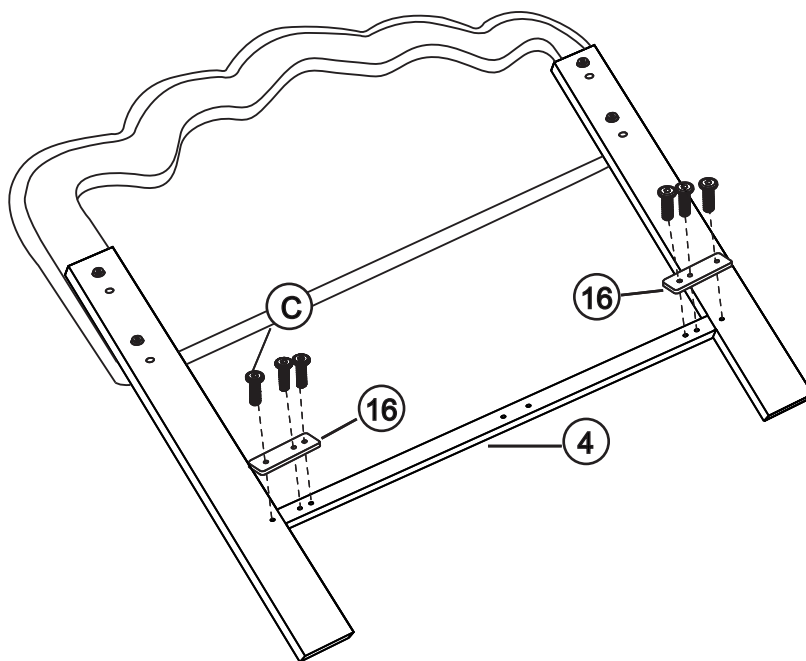
ASSEMBLY INSTRUCTIONS



STEP 1



| | | | |
|---|--------------------|---|---|
| B | Bolt (Ø 8X40mm) |  | 4 |
|---|--------------------|---|---|

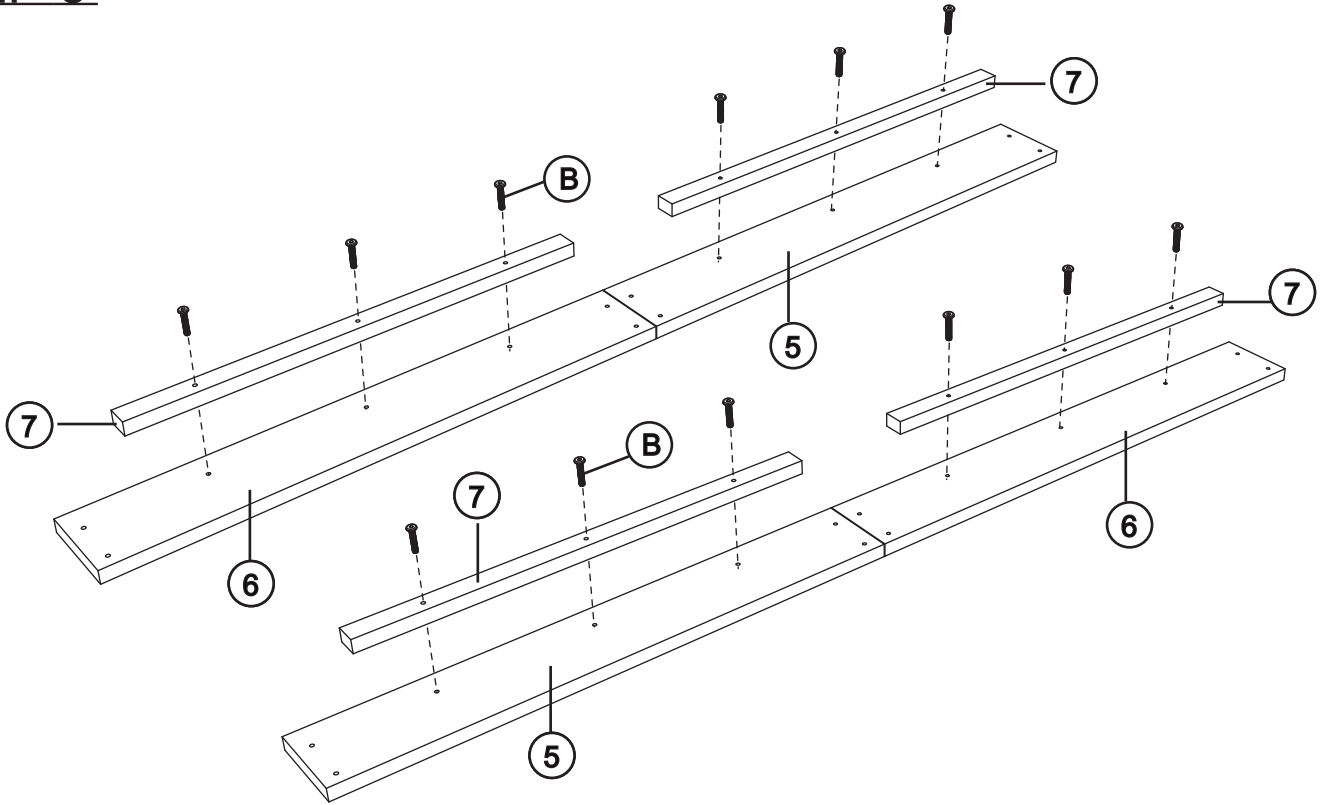
STEP 2



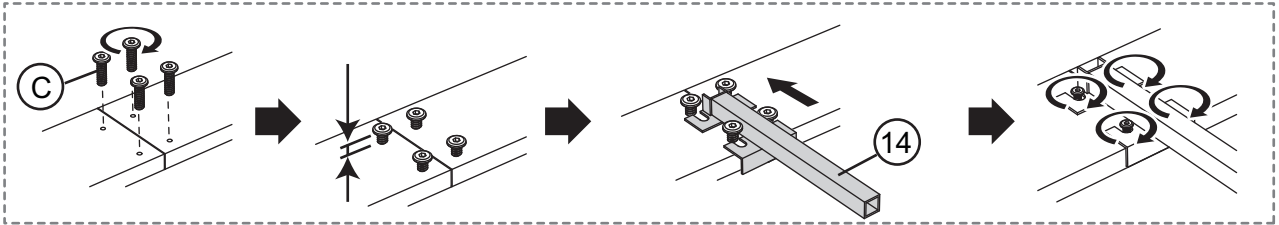
| | | | |
|----|--------------------|---|---|
| 16 | Bracket |  | 2 |
| C | Bolt (Ø 8X20mm) |  | 6 |

ASSEMBLY INSTRUCTIONS

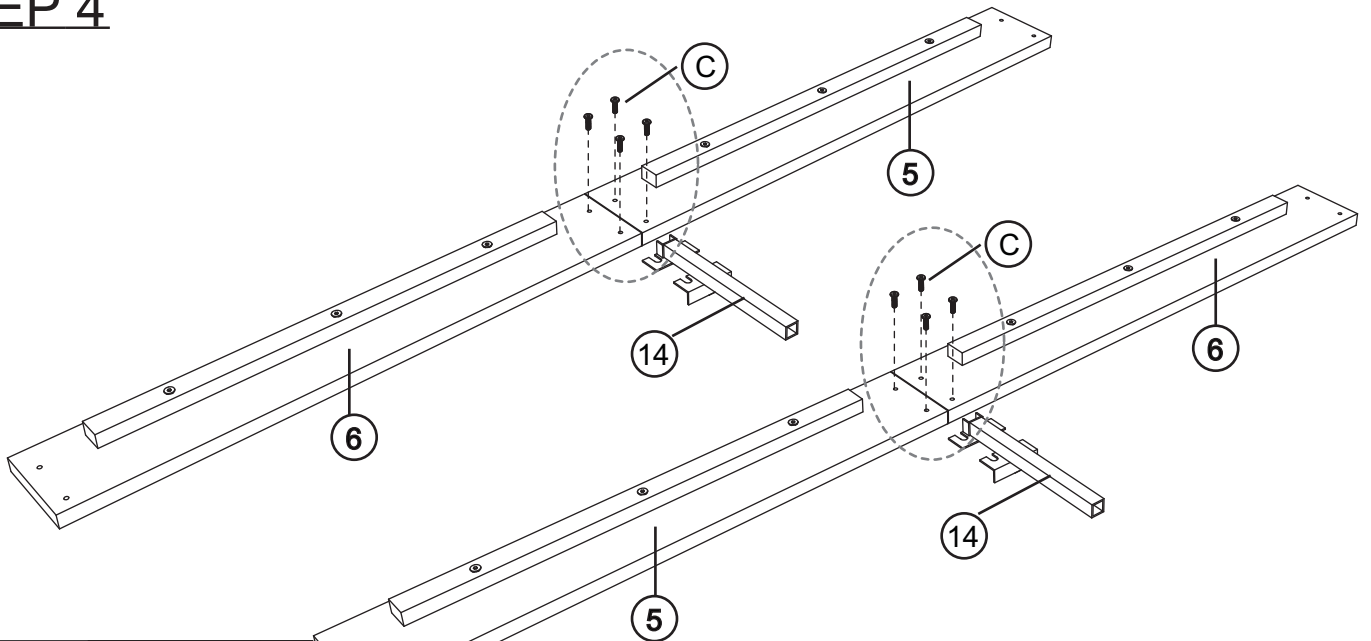
STEP 3





| | | | |
|---|--------------------|---|----|
| B | Bolt (Ø 8X40mm) |  | 12 |
|---|--------------------|---|----|



STEP 4

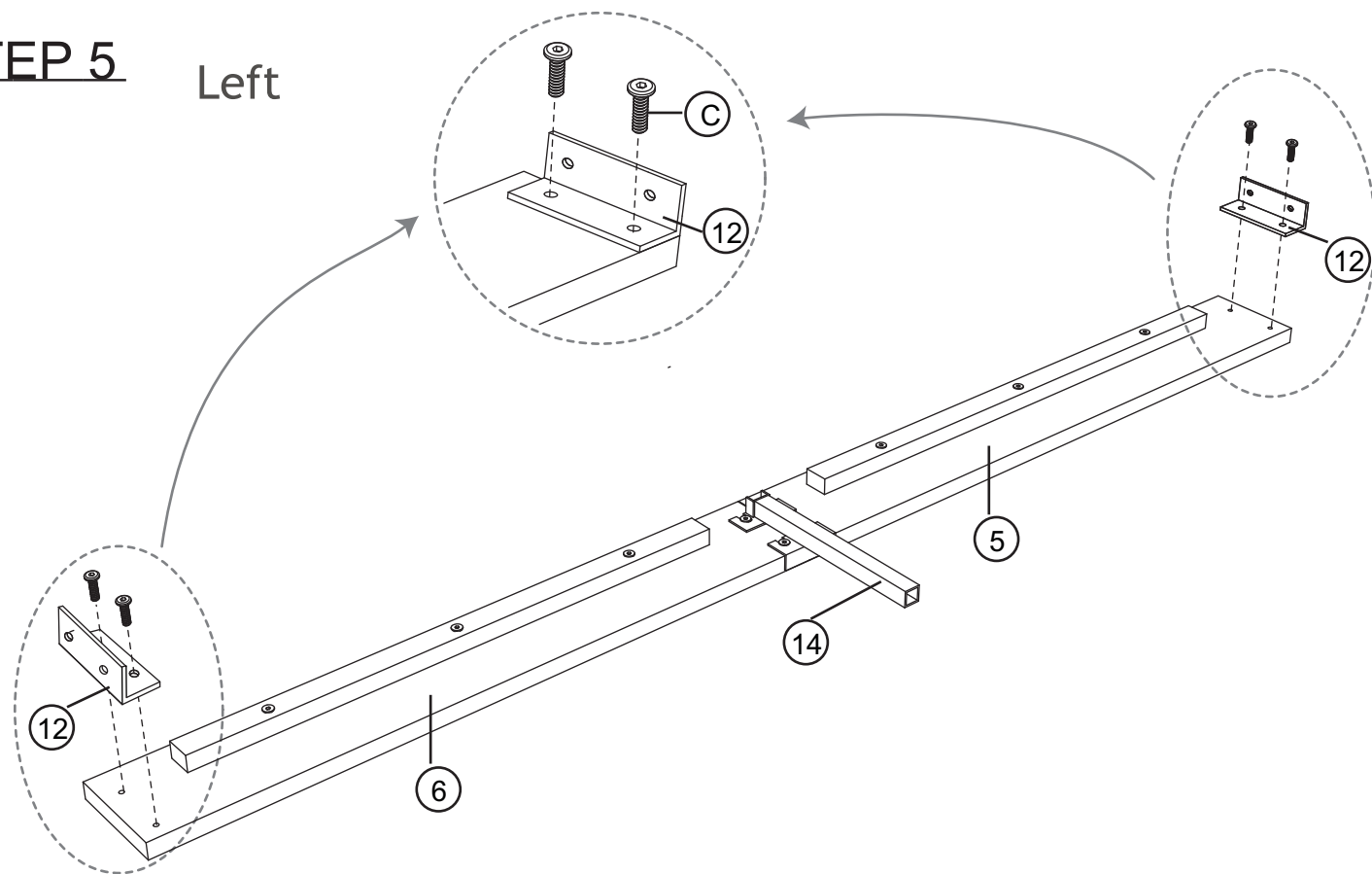




| | | | |
|----|--------------------|---|---|
| 14 | Support Leg |  | 2 |
| C | Bolt (Ø 8X20mm) |  | 8 |

ASSEMBLY INSTRUCTIONS

STEP 5

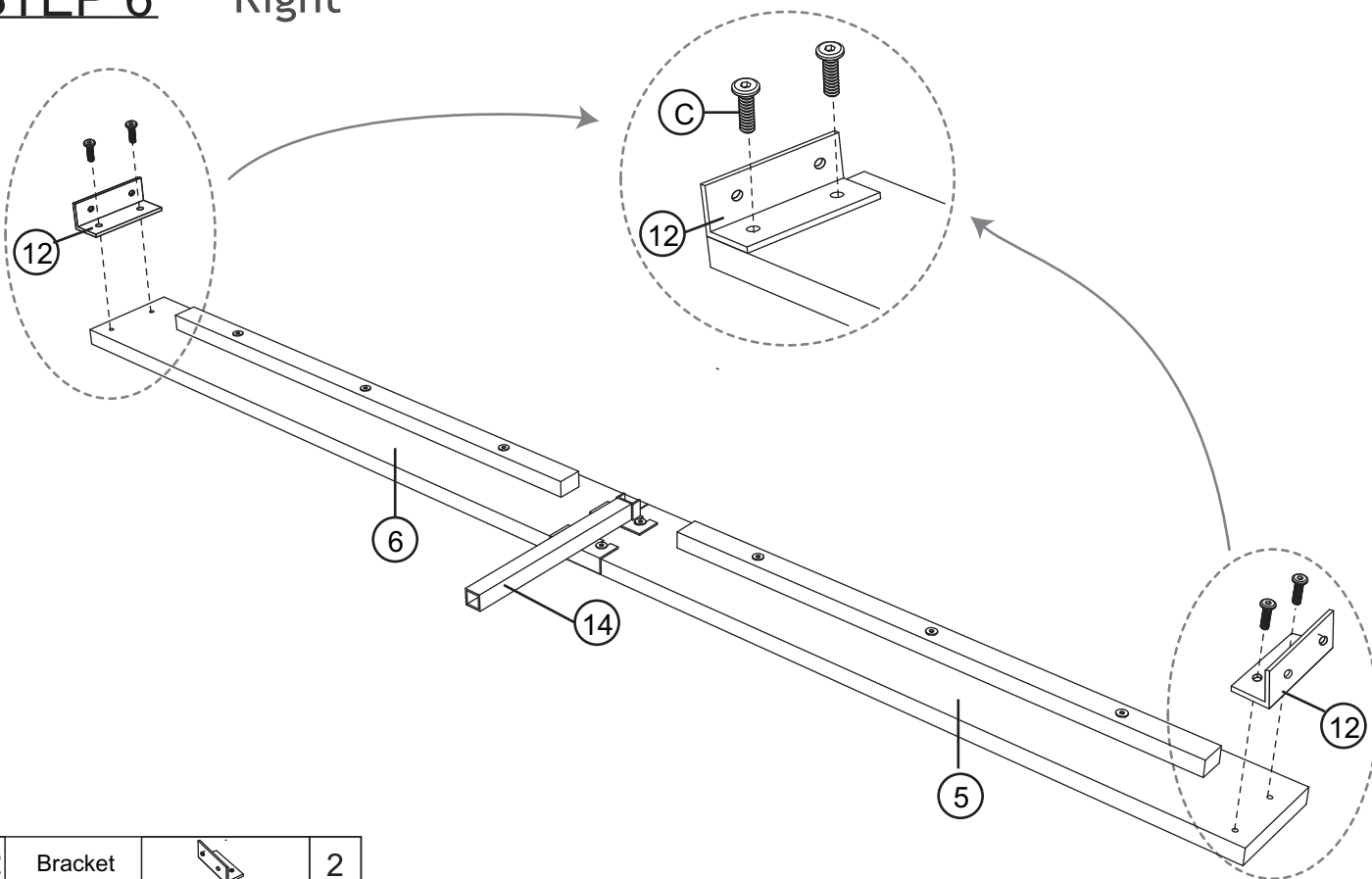
Left





| | | | |
|----|--------------------|---|---|
| 12 | Bracket |  | 2 |
| C | Bolt (Ø 8X20mm) |  | 4 |

STEP 6

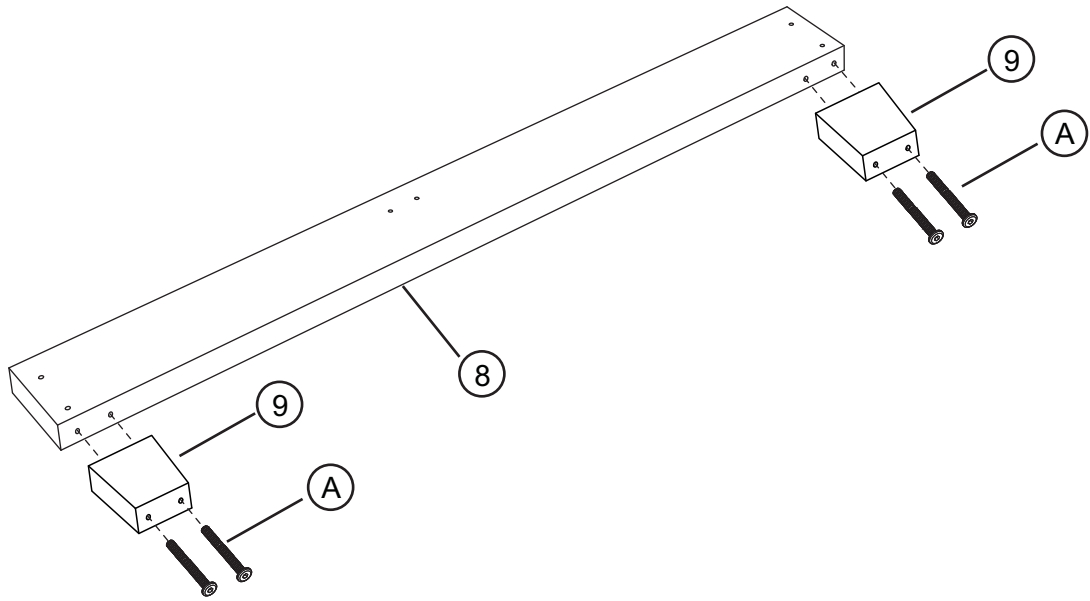
Right





| | | | |
|----|--------------------|---|---|
| 12 | Bracket |  | 2 |
| C | Bolt (Ø 8X20mm) |  | 4 |

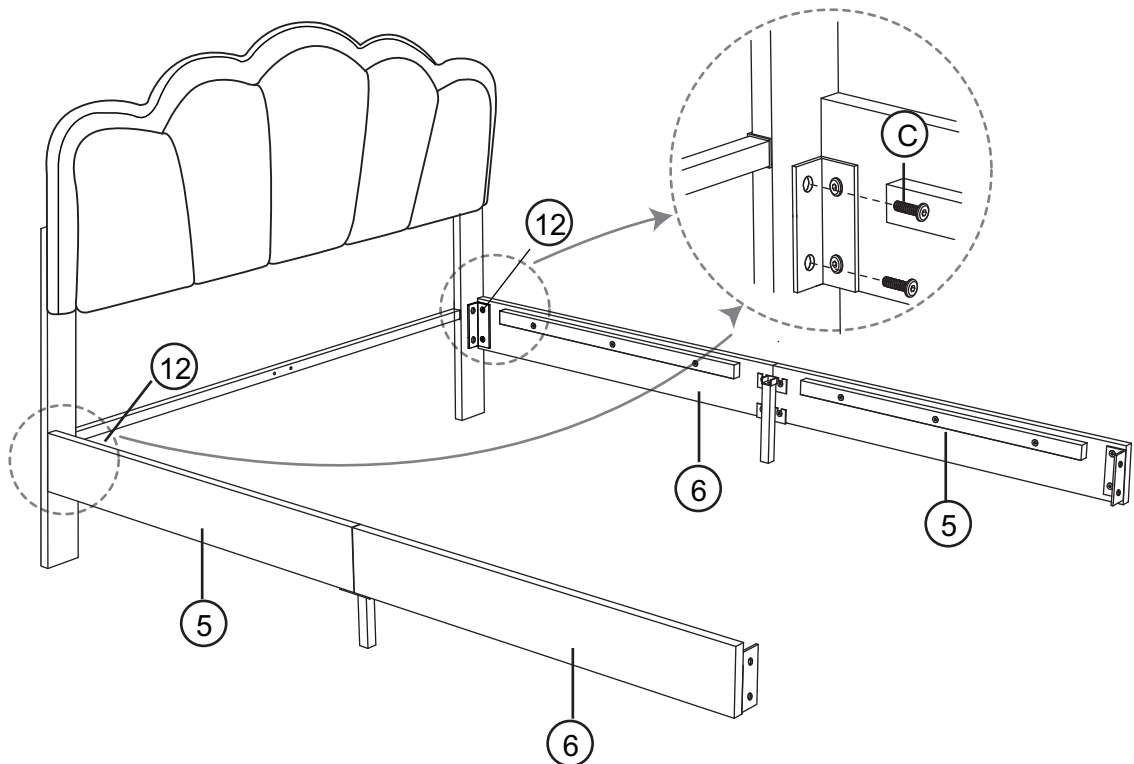
ASSEMBLY INSTRUCTIONS


STEP 7



| | | | |
|---|--------------------|---|---|
| 9 | Leg |  | 2 |
| A | Bolt (Ø 6X70mm) |  | 4 |

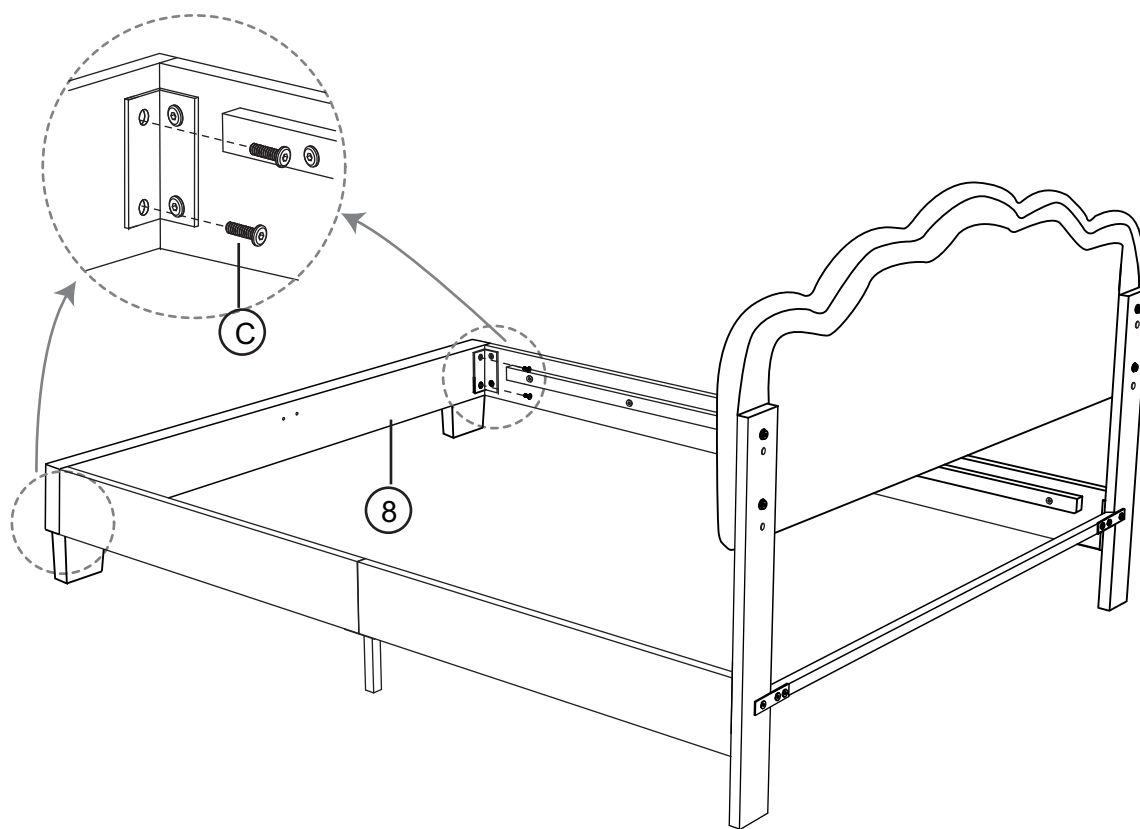
STEP 8



| | | | |
|---|--------------------|---|---|
| C | Bolt (Ø 8X20mm) |  | 4 |
|---|--------------------|---|---|

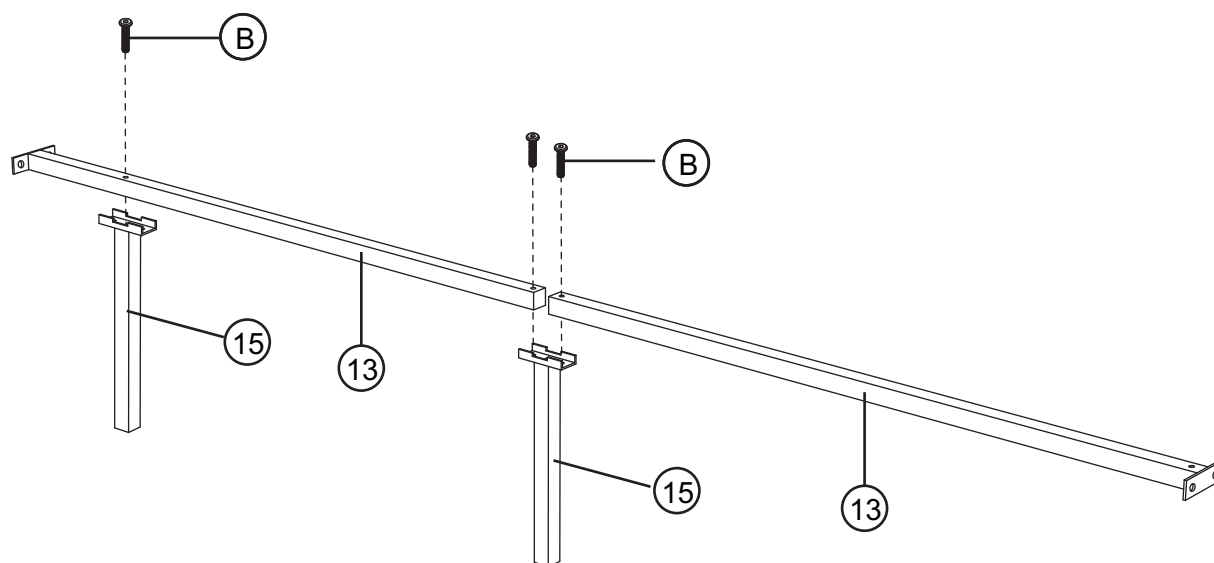
ASSEMBLY INSTRUCTIONS


STEP 9



| | | | |
|---|--------------------|---|---|
| C | Bolt (Ø 8X20mm) |  | 4 |
|---|--------------------|---|---|

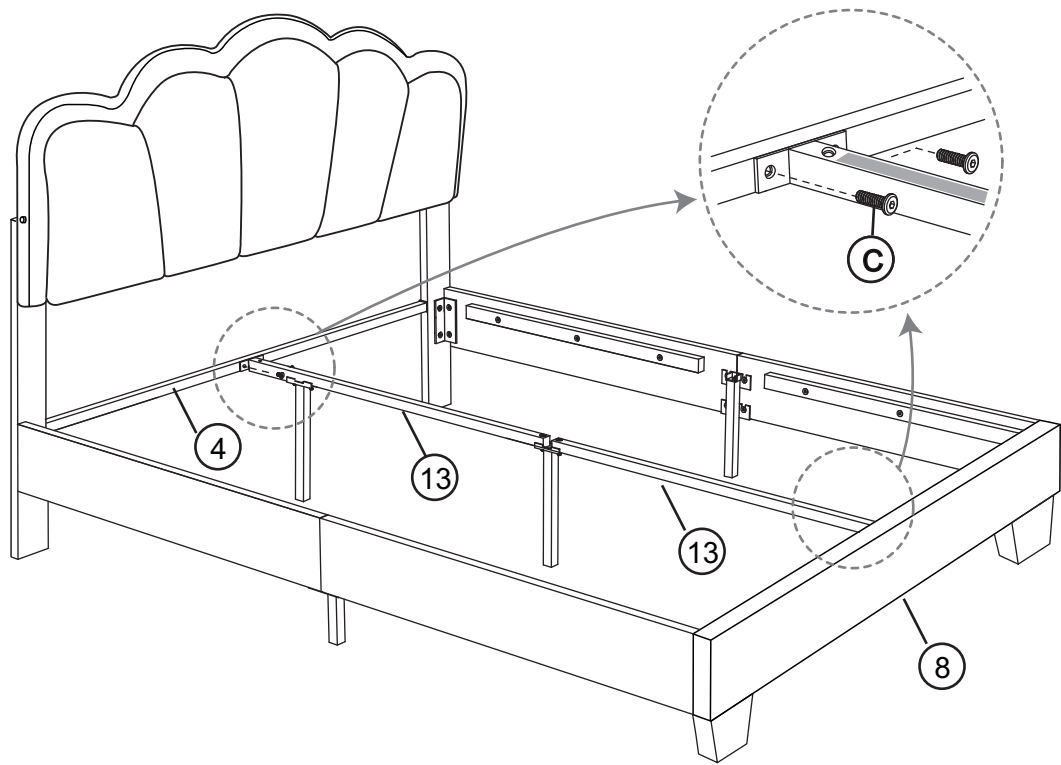
STEP 10



| | | | |
|---|--------------------|---|---|
| B | Bolt (Ø 8X40mm) |  | 3 |
|---|--------------------|---|---|

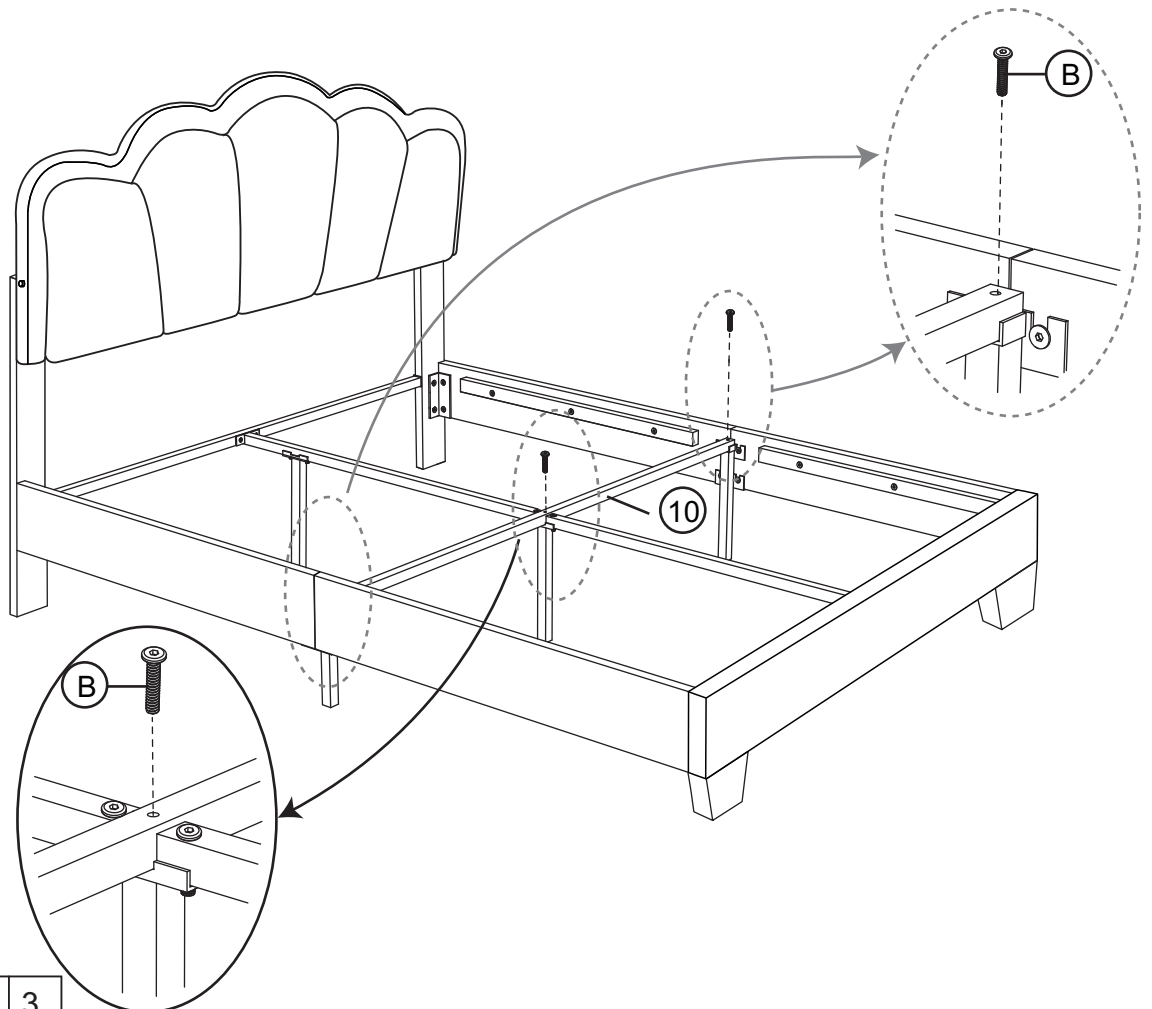
ASSEMBLY INSTRUCTIONS

STEP 11



| | | | |
|---|--------------------|---|---|
| C | Bolt (Ø 8X20mm) |  | 4 |
|---|--------------------|---|---|

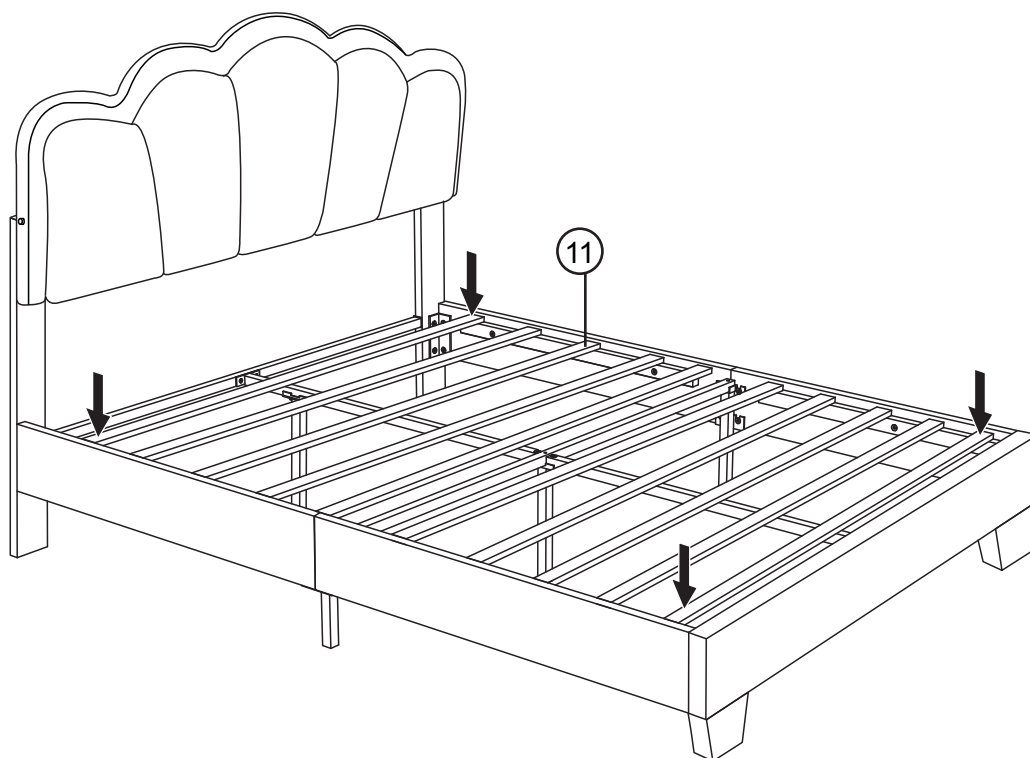
STEP 12



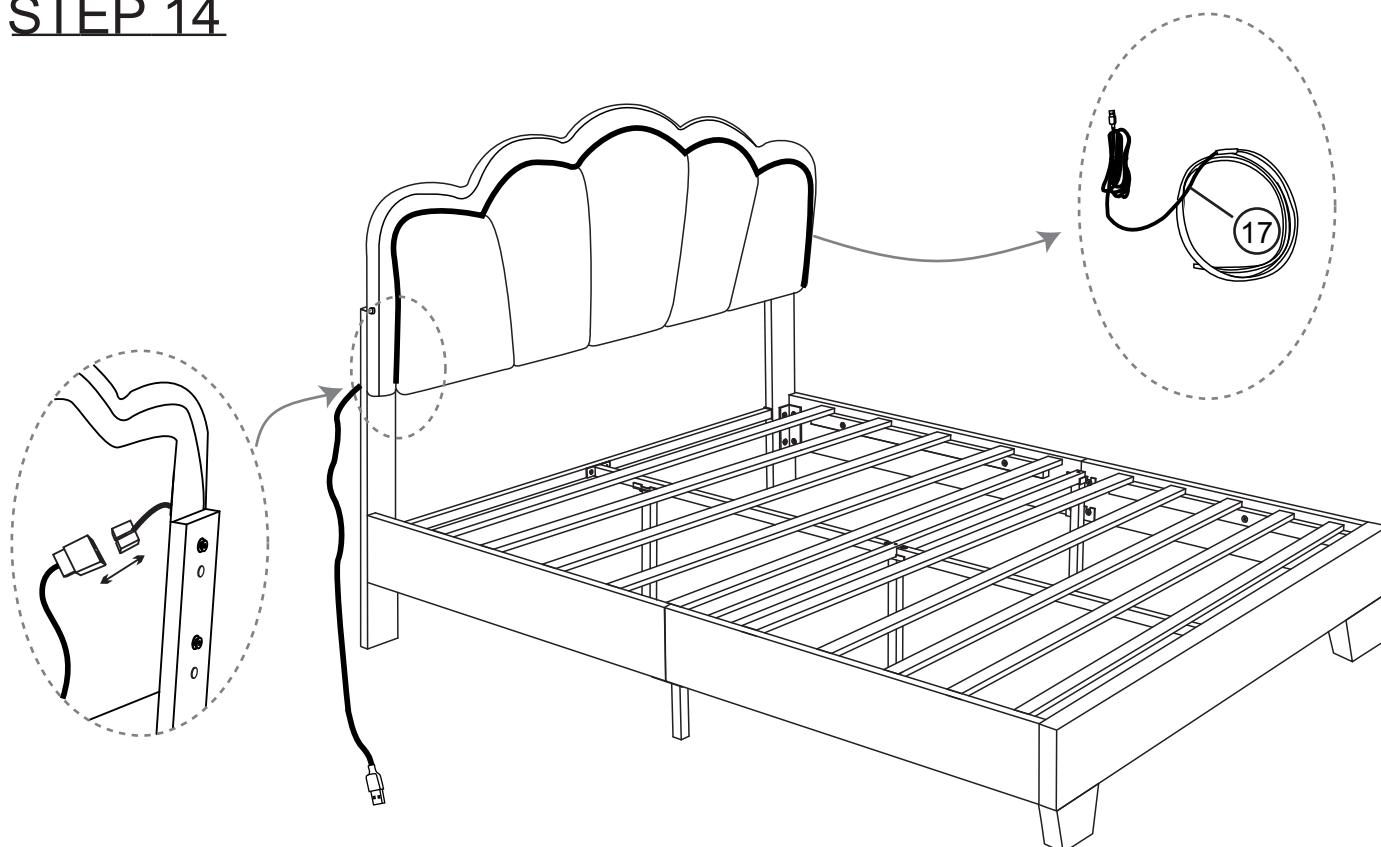
| | | | |
|---|--------------------|---|---|
| B | Bolt (Ø 8X40mm) |  | 3 |
|---|--------------------|---|---|

ASSEMBLY INSTRUCTIONS

STEP 13



STEP 14



ASSEMBLY INSTRUCTIONS

STEP 15

COMPLETE

