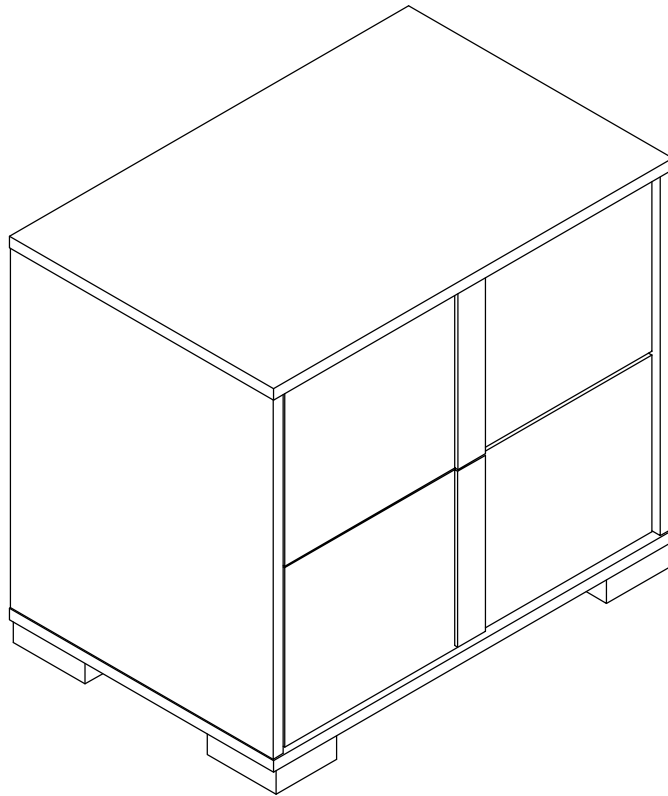
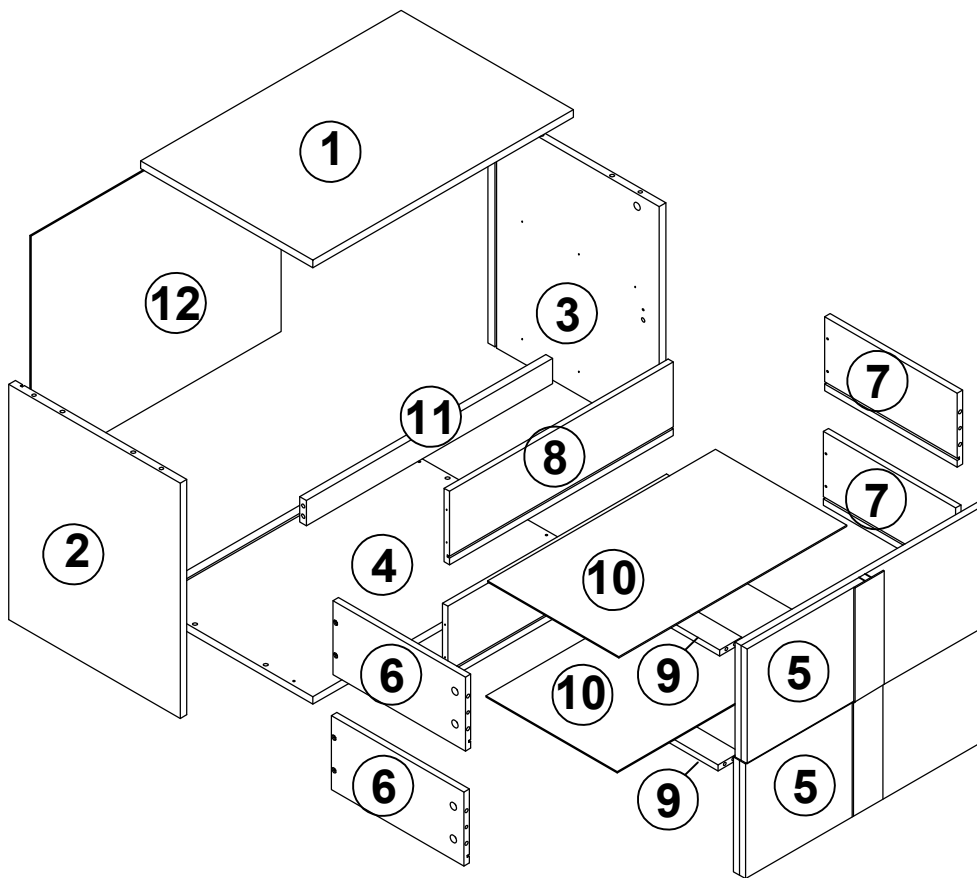
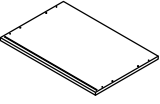
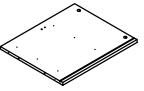
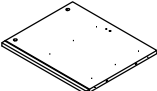
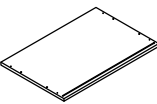
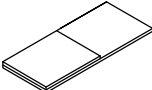
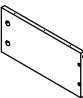
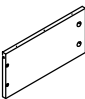

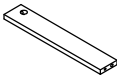
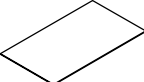

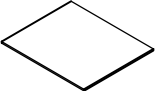


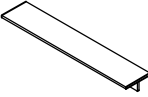

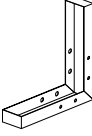




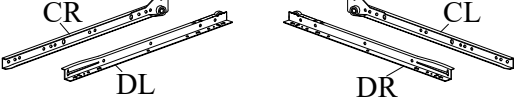

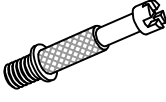

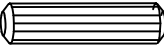
ASSEMBLY INSTRUCTIONS


MODEL : WF319353
NIGHTSTAND





NO	PART LIST	QTY
1	Top Panel 	1
2	Side Panel L 	1
3	Side Panel R 	1
4	Bottom Panel 	1
5	Drawer Front 	2
6	Drawer Box Side L 	2
7	Drawer Box Side R 	2
8	Drawer Box Back 	2
9	Drawer Box Support 	2
10	Drawer Bottom Ply 	2
11	Front Horizontal 	1
12	Back Panel 	1

NO	HARDWARE LIST	QTY
A	Handle 	2
B	Truss Head M4 x 18mm 	4
C	Metal Leg 	4
D	Pan Head Screw m3.5 x 12mm Blk 	16+(1)
E	Flat Head Chipboard Screw m3.5x12mm Rbw 	24+(2)
F	Flat Head Chipboard m3.5 x 16mm Rbw 	4
G	Flat Head Screw m4 x 32mm 	16+(1)
H	Extension Slide 300mm 	8
I	Minifix Fastener Connector D15mm x 9.8mm 	16+(1)
J	Cam Dowel Length 33mm 	16+(1)
K	Wood Dowel 6mm x 30mm 	6
L	Wood Dowel 8mm x 30mm 	10+(1)

NO	HARDWARE LIST	QTY
M	Back Connector 	4

Read this instruction carefully. Remove all wrapping material, staples and straps from the carton. See hardware and furniture part list for guidance. Be sure you have all wooden furniture part on a clean and a flat surface, such as carpet or rug, to prevent from being scratched.

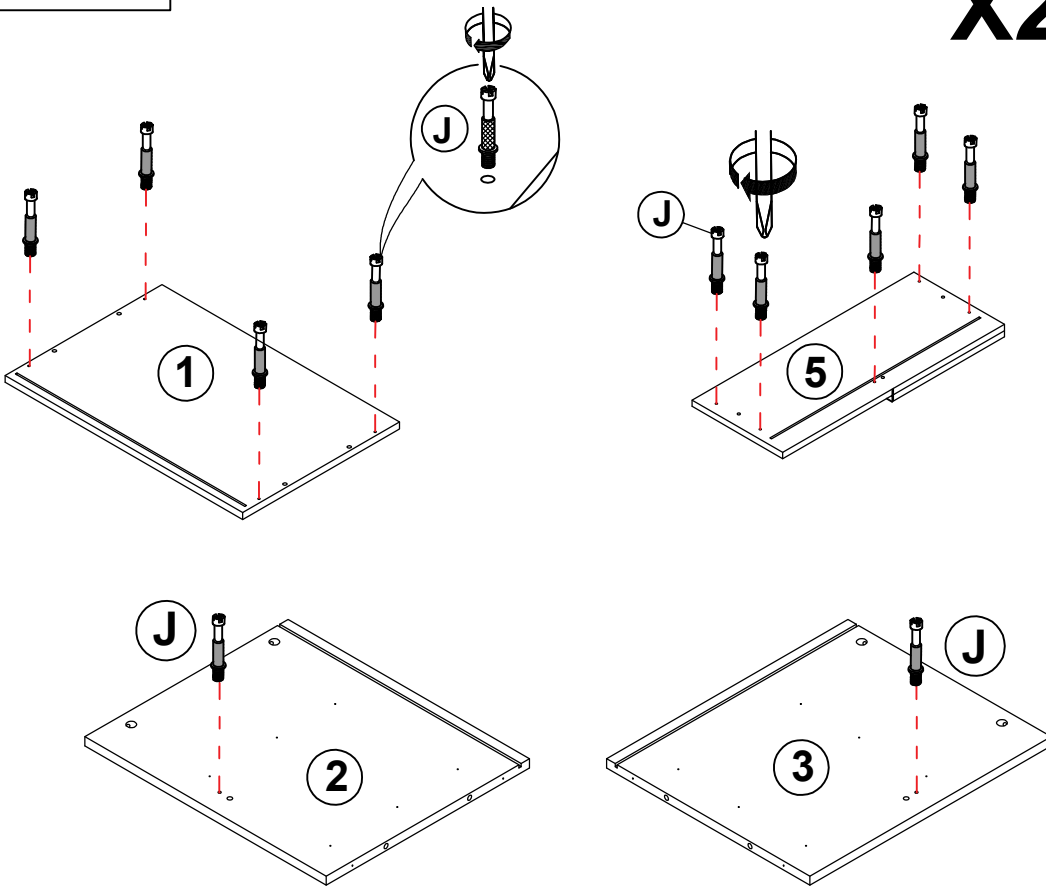
CAUTION :

1. Do not Full Tighten the nut or screw until all ready to assemble.
2. Do not Over Tighten the nut or screw to avoid causing damages to the thread.
3. Keep all hardware part of reach of children.



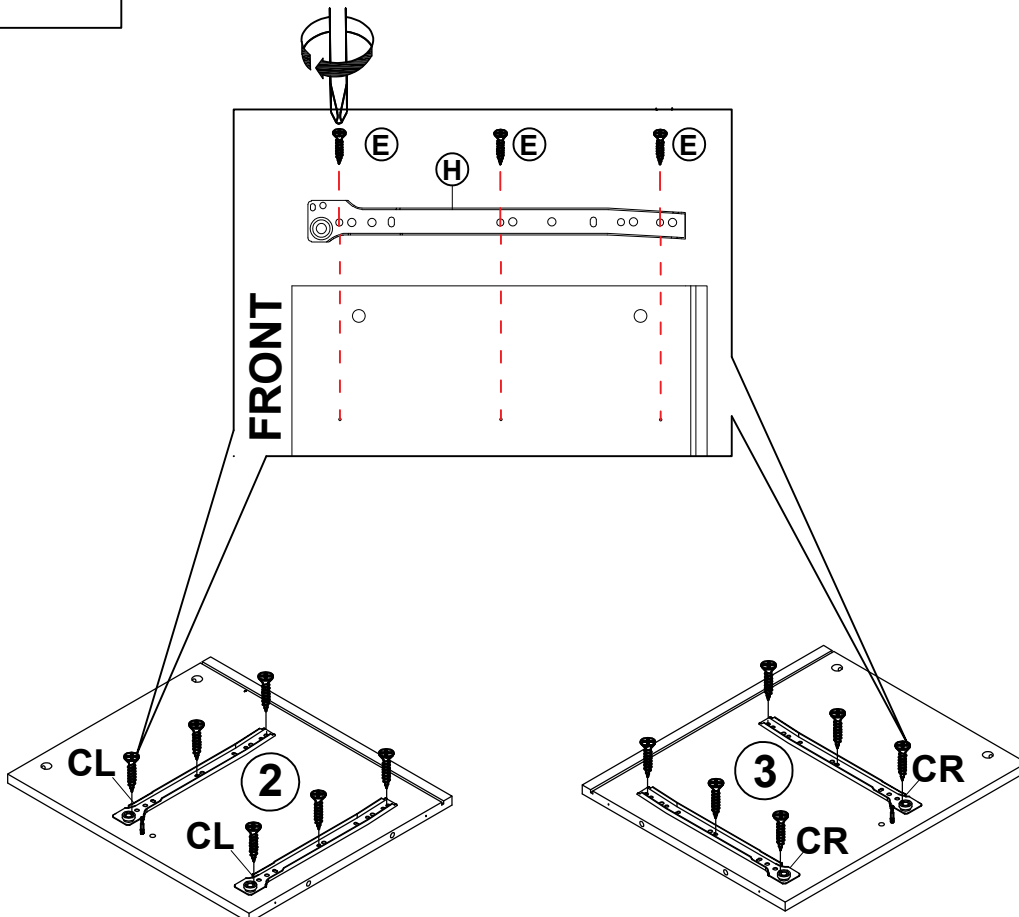
STEP 1

X2



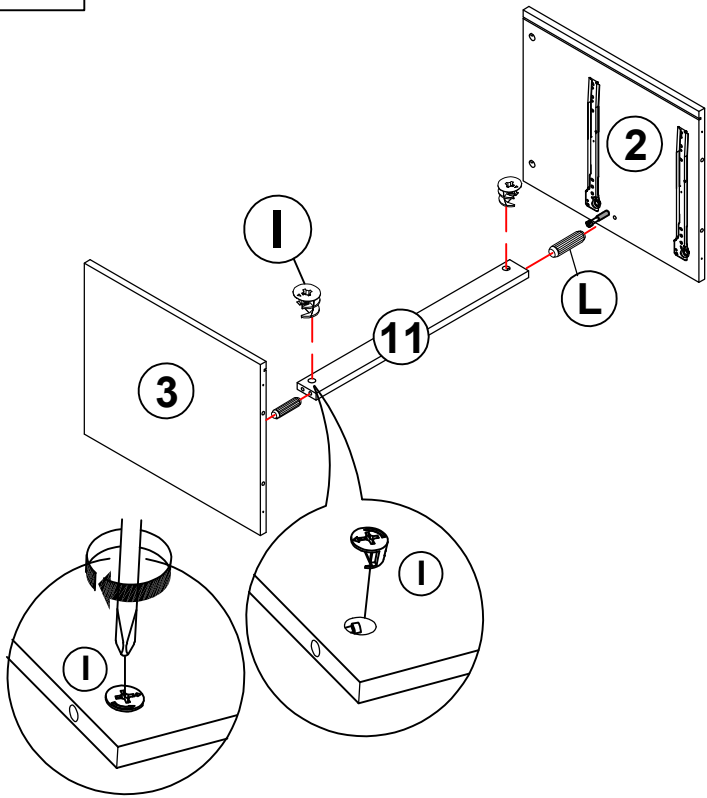
①		X 1
②		X 1
③		X 1
⑤		X 2
J		X 16

STEP 2



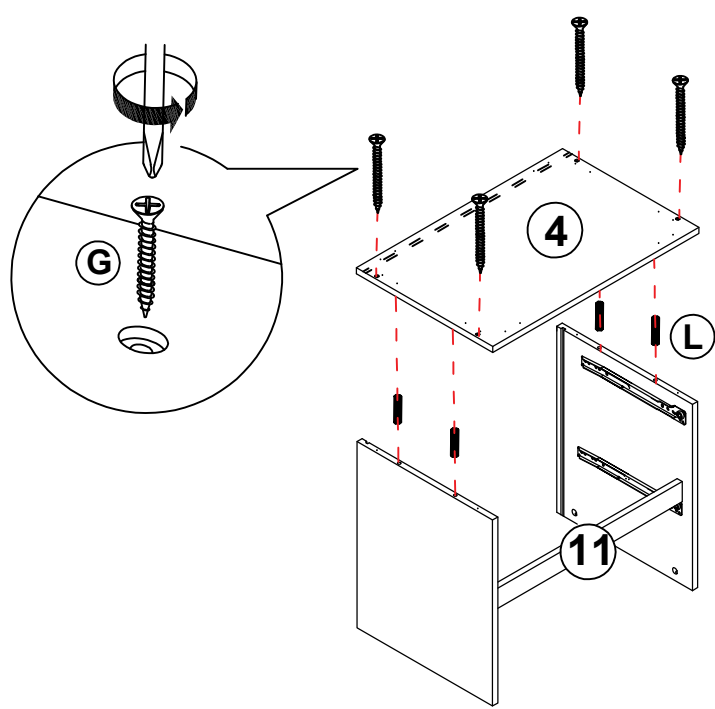
②		X 1
③		X 1
E		X 12
H		X 2
H		X 2

STEP 3



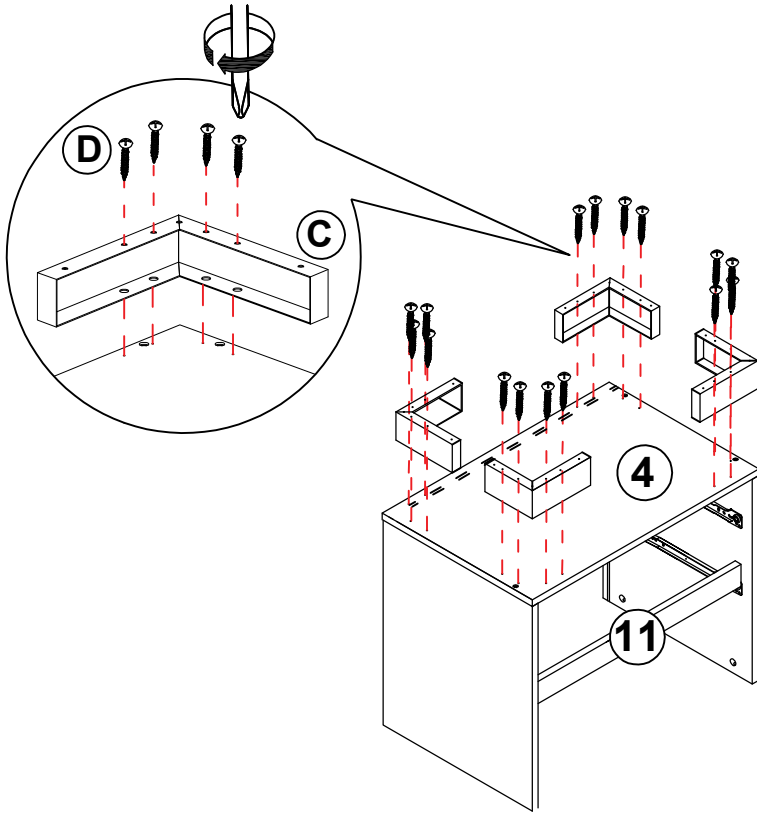
②		X 1
③		X 1
⑪		X 1
Ⓘ		X 2
Ⓛ		X 2

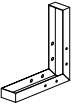

STEP 4



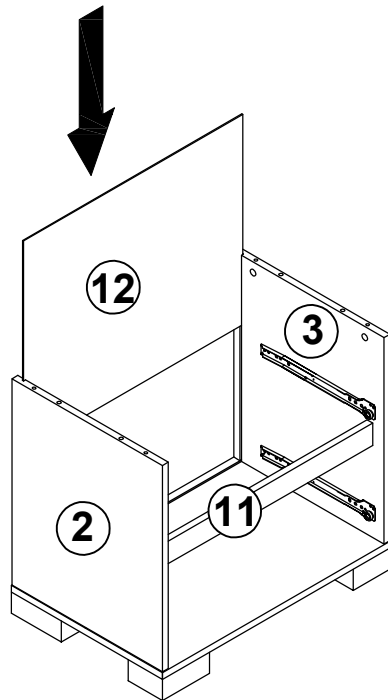
④		X 1
Ⓖ		X 4
Ⓛ		X 4

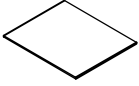
STEP 5



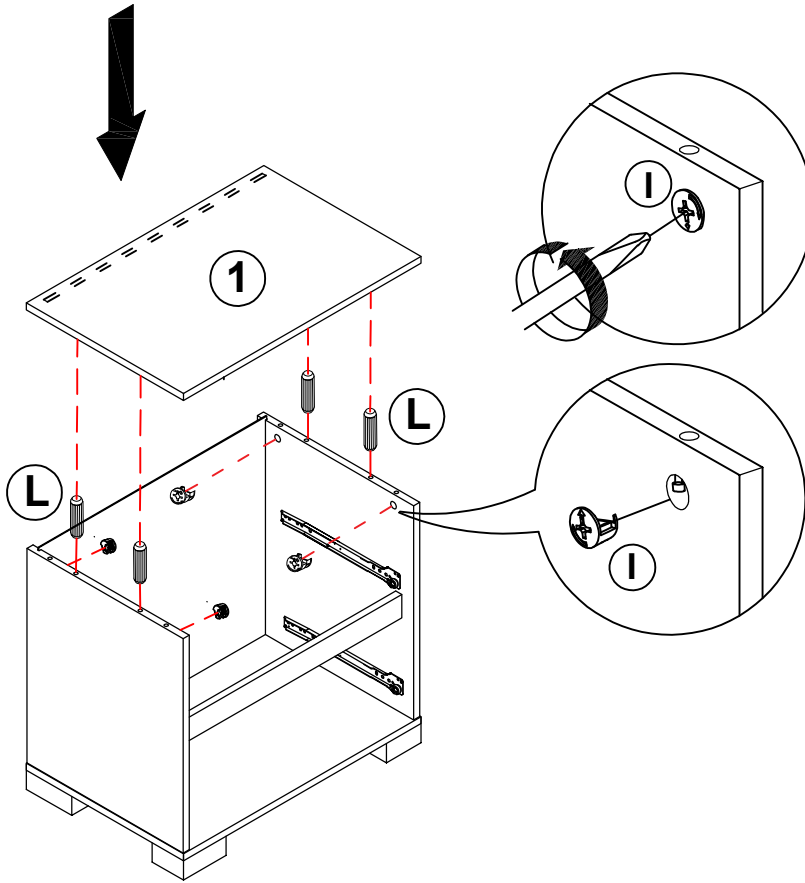
(C)	 X 4
(D)	 X 16

STEP 6



(12)	 X 1
-------------	--

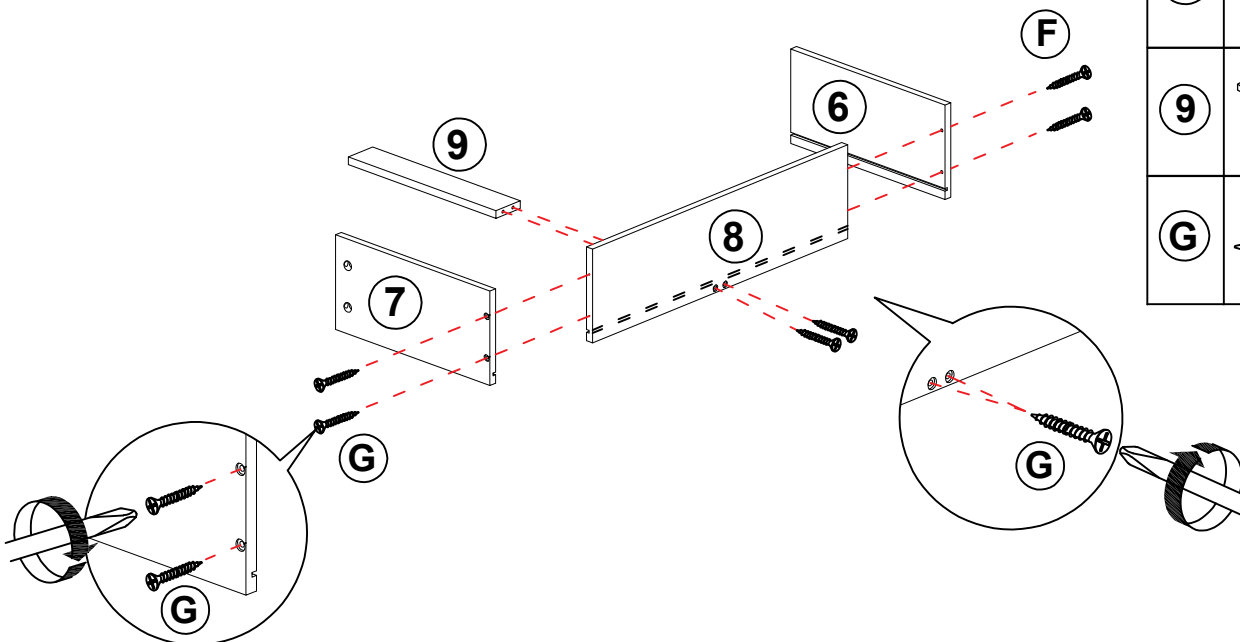
STEP 7



①		X 1
①		X 4
①		X 4

STEP 8

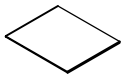
X2

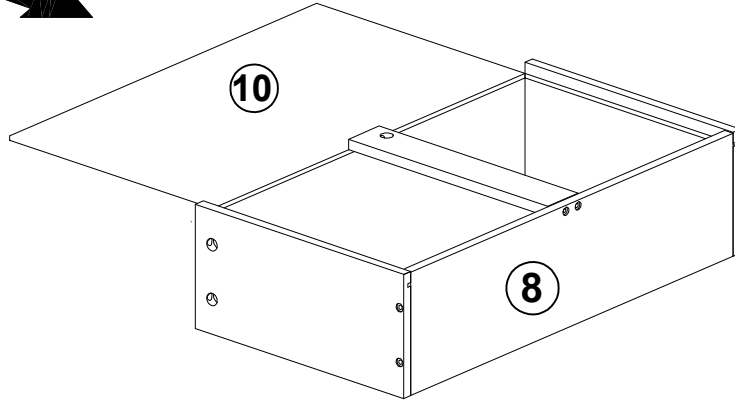
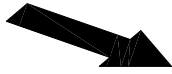


⑥		X 2
⑦		X 2
⑧		X 2
⑨		X 2
①		X 12

STEP 9

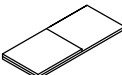


X2

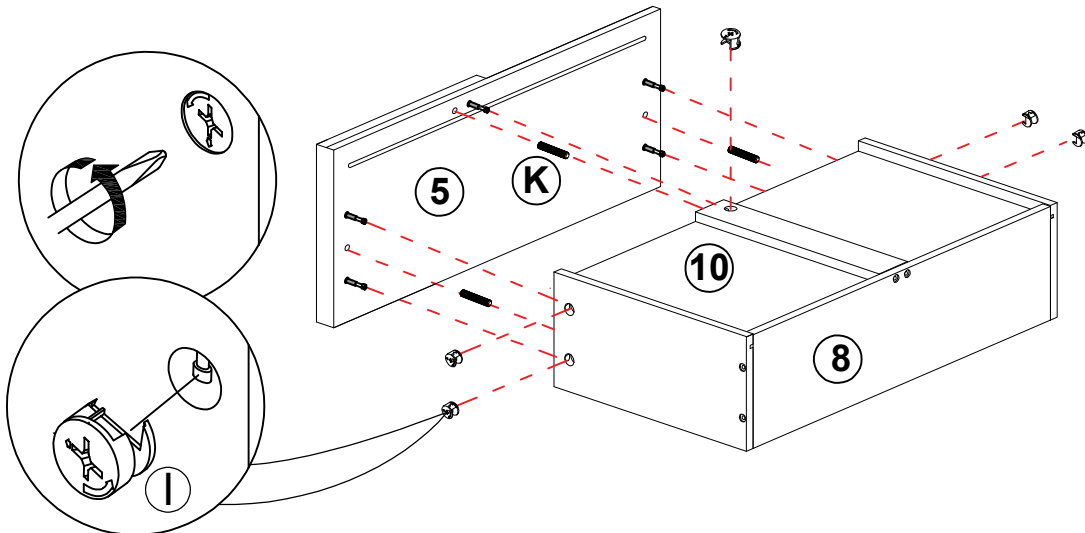
10		X 2
----	--	-----



STEP 10


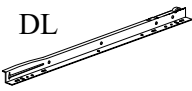
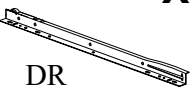
X2

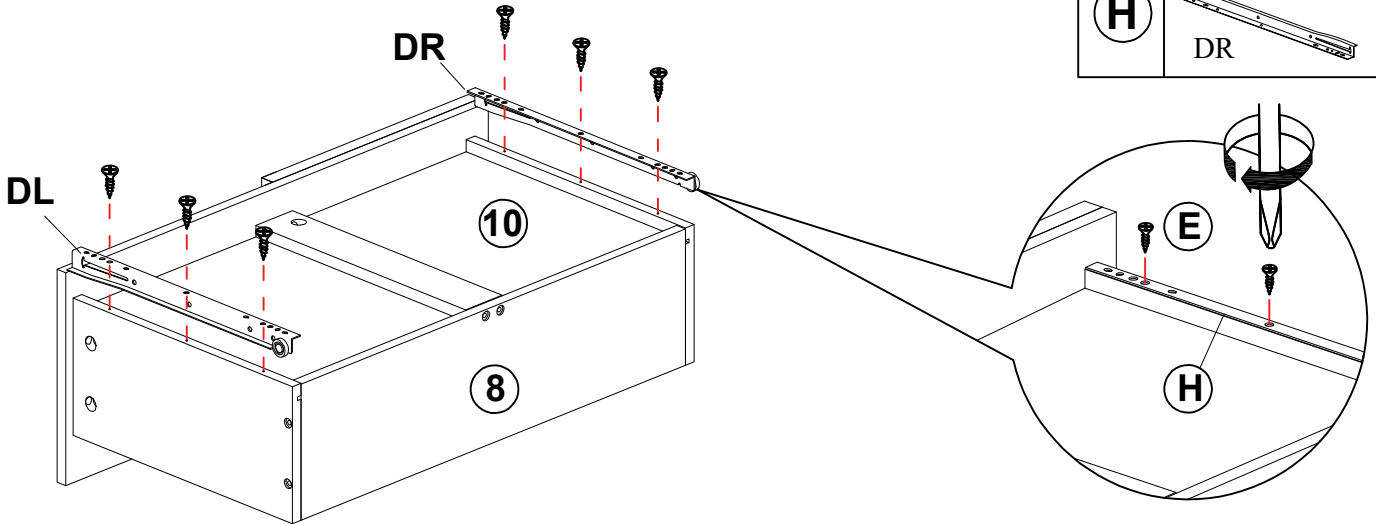
5		X 2
I		X 10
K		X 6



STEP 11

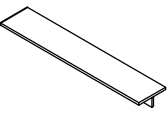
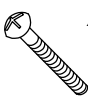
X2

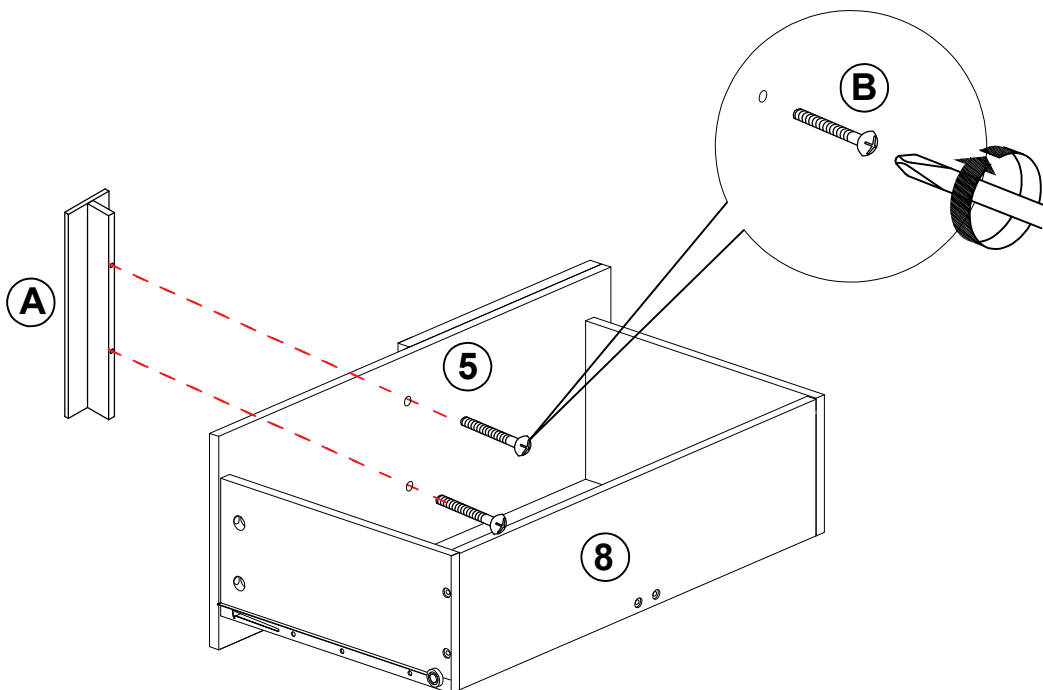
(E)	 X 12
(H)	DL  X 2
(H)	DR  X 2



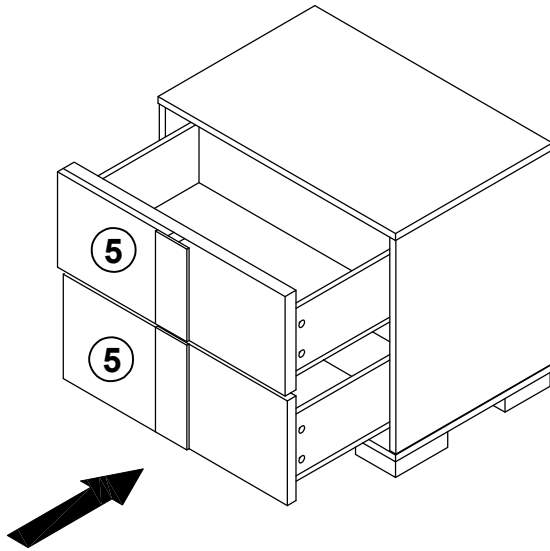
STEP 12

X2

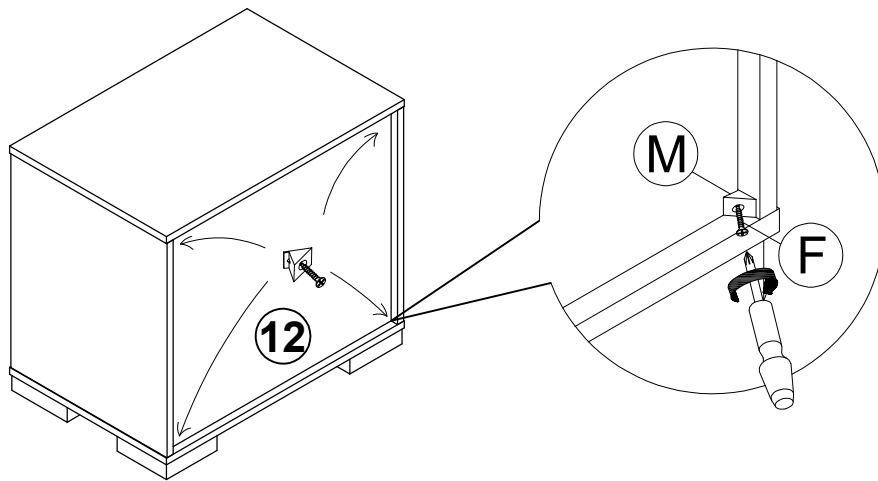
(A)	 X 2
(B)	 X 4





STEP 13



STEP 14



REAR VIEW

F		X 4
M		X 4

COMPLETE ASSEMBLY

