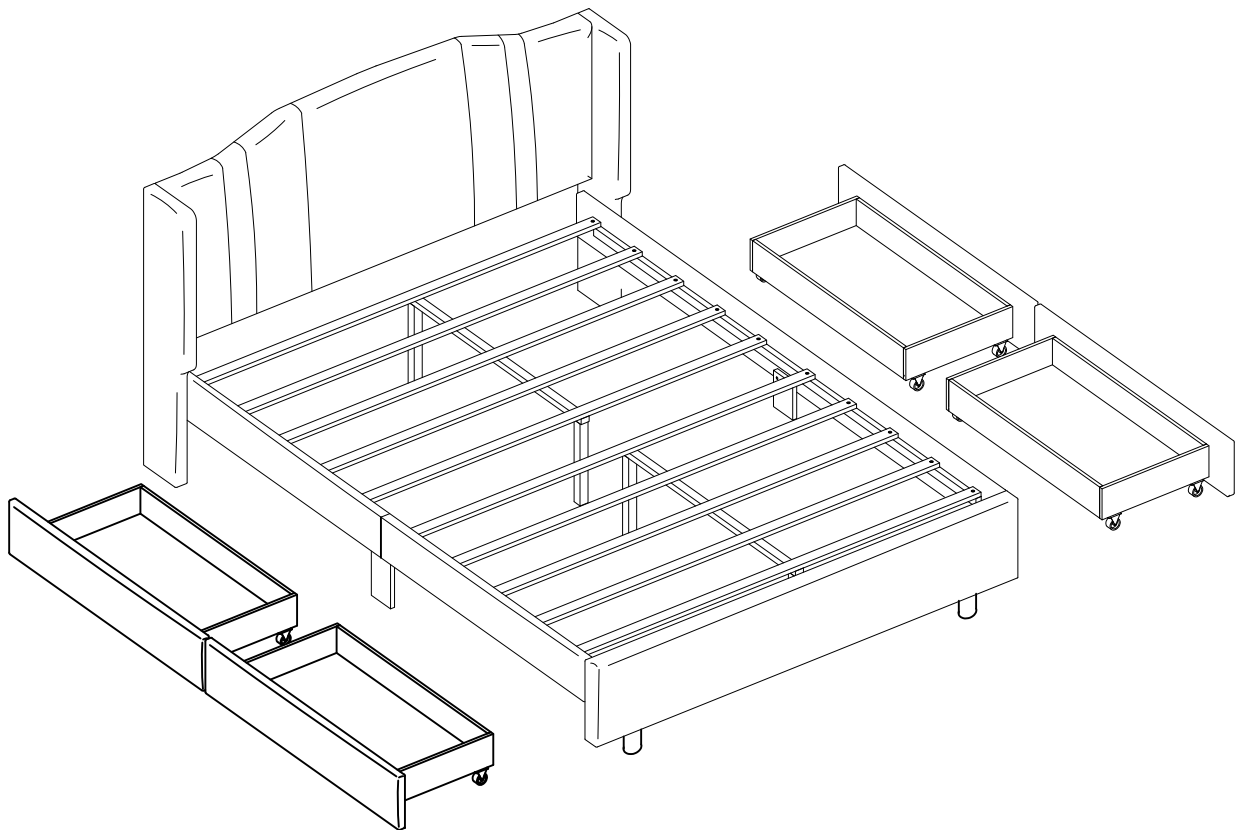
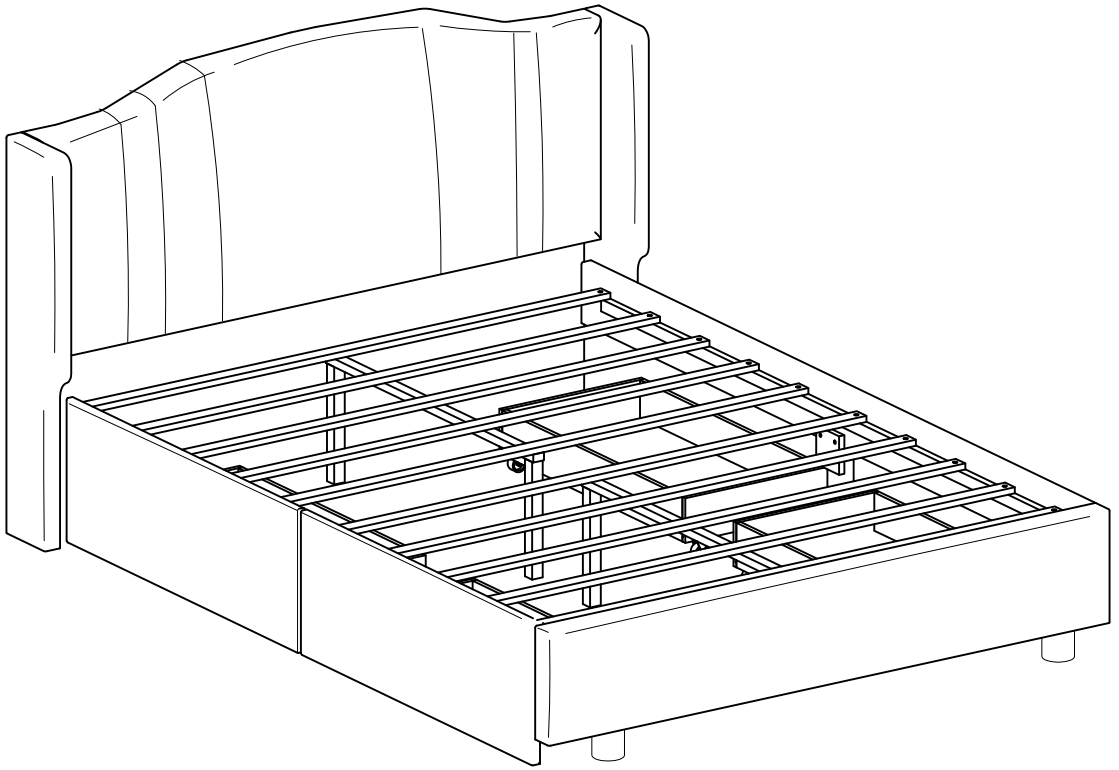
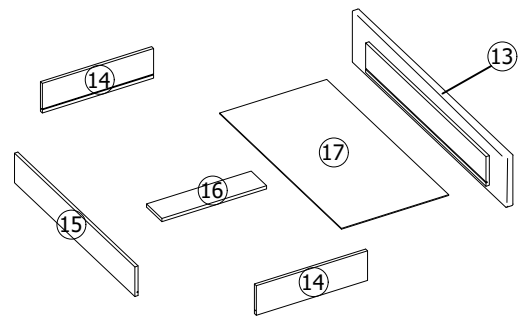
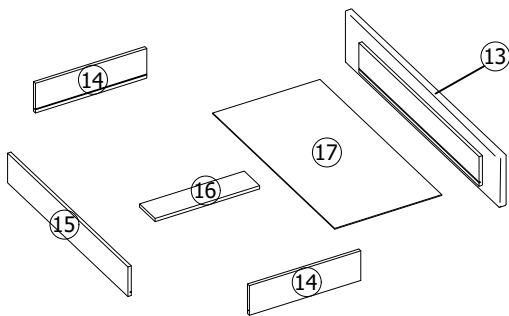
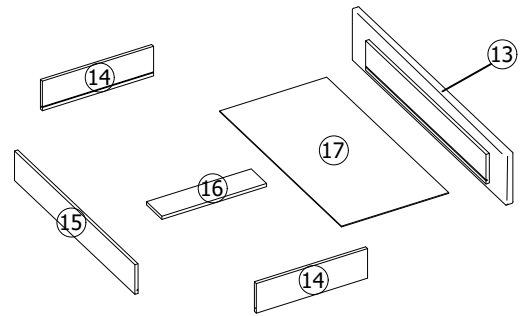
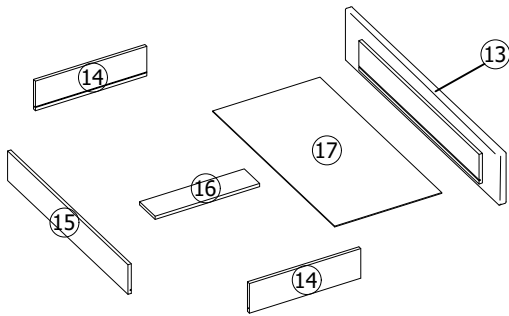
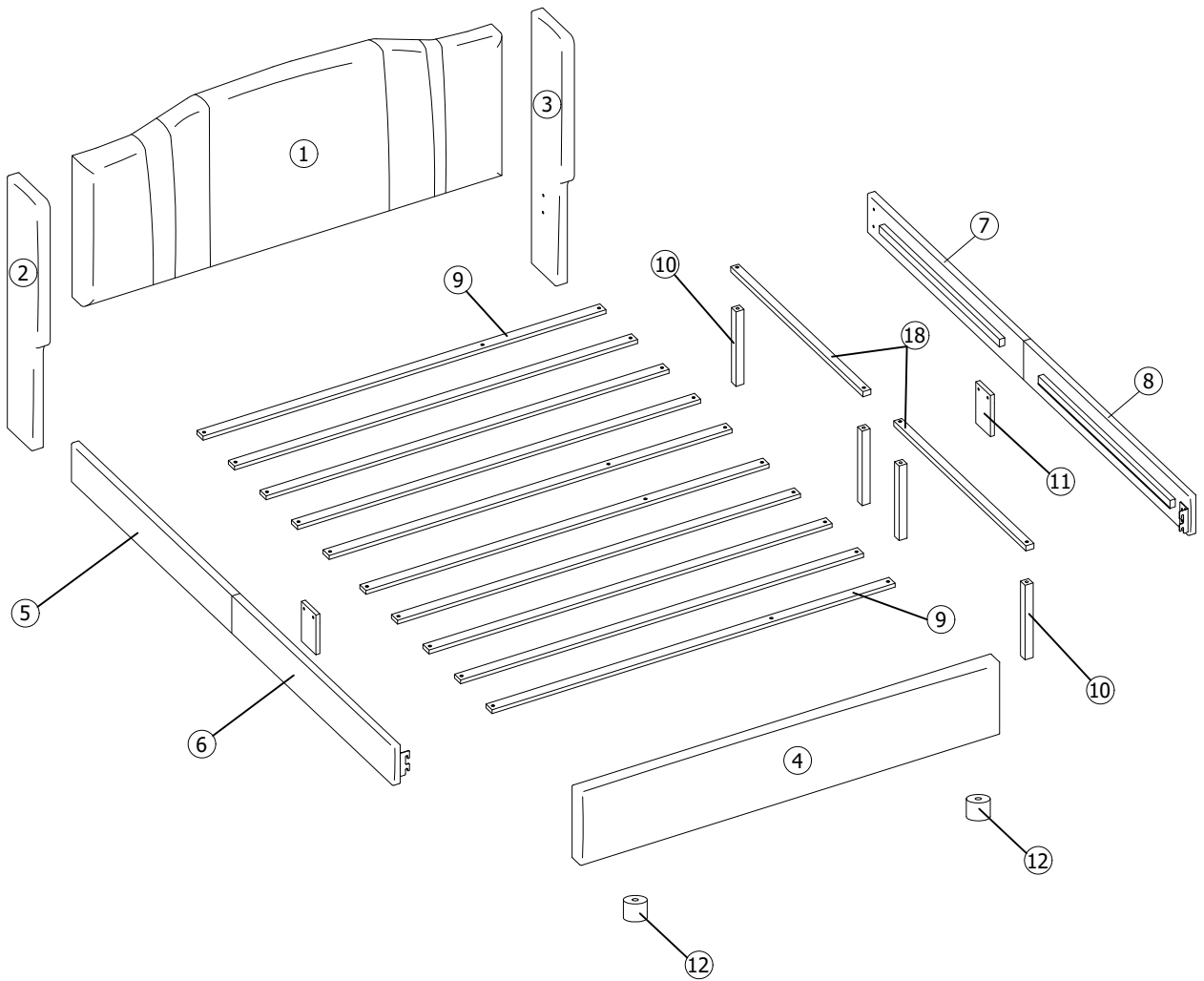


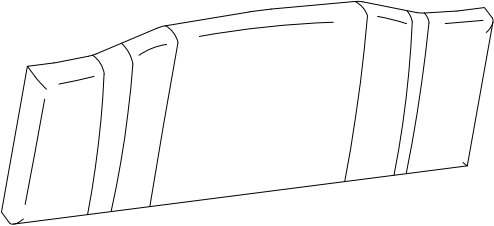
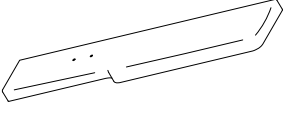
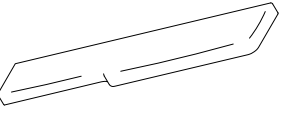
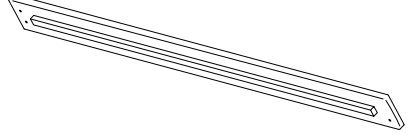
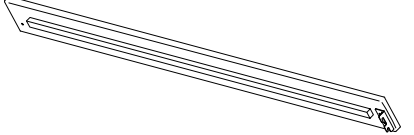
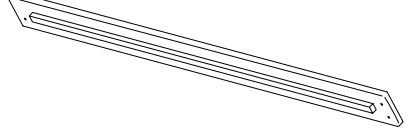

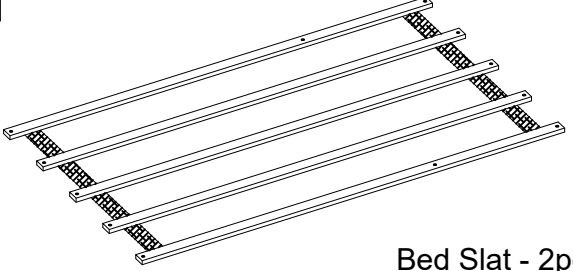
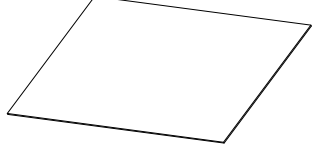
# ASSEMBLY INSTRUCTION

SKU CODE: WF315171/WF315172

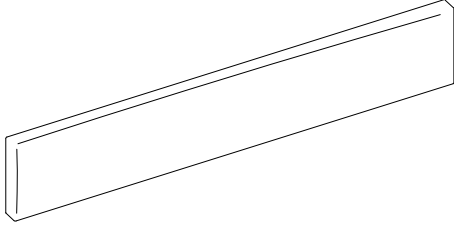

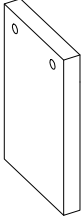
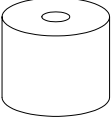

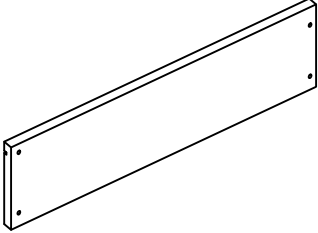
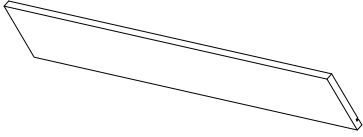






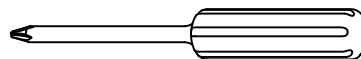
Part List: WF315171

<p>1</p>  <p>Headboard-1pc</p>	<p>2</p>  <p>Headboard left leg - 1pc</p>
<p>3</p>  <p>Headboard right leg - 1pc</p>	<p>5</p>  <p>(L) Side rail Head-1pc</p>
<p>6</p>  <p>(L)Side rail Foot-1pc</p>	<p>7</p>  <p>(R)Side rail Head-1pc</p>
<p>8</p>  <p>(R)Side rail Foot-1pc</p>	<p>9</p>  <p>Bed Slat - 2pcs</p>
<p>17</p>  <p>Drawer base - 4pcs</p>	

Part List: WF315172

<p><b>4</b></p>  <p>Footboard - 1pc</p>	<p><b>10</b></p>  <p>Slat Support - 4 pcs</p>
<p><b>11</b></p>  <p>Center Leg - 2pcs</p>	<p><b>12</b></p>  <p>Foot Leg - 2 pcs</p>
<p><b>13</b></p>  <p>Drawer head - 4pcs</p>	<p><b>14</b></p>  <p>Drawer side - 8pcs</p>
<p><b>15</b></p>  <p>Drawer back - 4pcs</p>	<p><b>16</b></p>  <p>Drawer support - 4pcs</p>
<p><b>18</b></p>  <p>Center Slat - 2pcs</p>	

<b>A</b>  M8 x 40 Hex-head bolt (8pcs)	<b>B</b>  M8 Flat washer (12pcs)
<b>C</b>  M8 x 30 Hex-head bolt (8pcs)	<b>D</b>  M6 x 60 Hex-head bolt (6pcs)
<b>E</b>  M8 x 30mm Wood Dowel (8pcs)	<b>F</b>  M6 x13mm Hex-head bolt (2pcs)
<b>G</b>  M8 x 13mm Flat washer (6pcs)	<b>H</b>  Roller (16pcs)
<b>I</b>  Mini Fix Housing (8pcs)	<b>J</b>  Mini Fix Bolt (8pcs)
<b>K</b>  M3.5 x 16mm CSK Screw (32pcs)	<b>L</b>  M4 x 32mm CSK Screw (20pcs)
<b>M</b>  M4 x 38mm CSK Screw (32pcs)	<b>N</b>  M4 Allen key (1pc)
<b>O</b>  M5 Allen key (1pc)	



ASSEMBLY TOOLS REQUIRED ( NOT INCLUDED )

Read this instruction carefully. See hardware and furniture part list for guidance. Be sure all parts are complete, before you assemble. Place all wooden furniture parts on a clean and flat soft surface to prevent from being scratched.

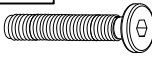

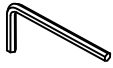
Follow the figure to start assembling.

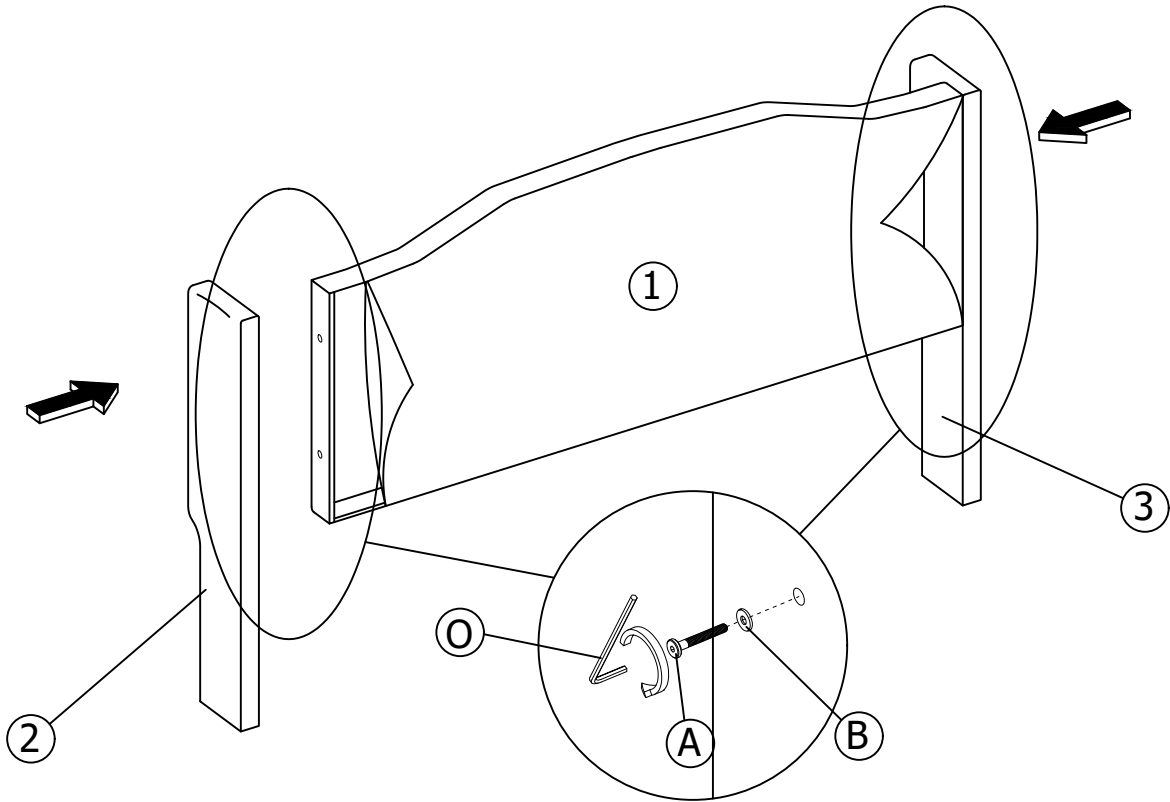
CAUTIONS :

1. Do not FULLY - TIGHTEN the nut or nut bolt until all nut or bolt is ready assembled.
2. Do not OVER - TIGHTEN the nut or bolt to avoid causing damages to the thread.
3. Keep all hardware parts out of reach of children.

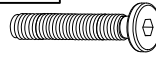
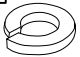

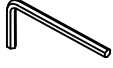
NOTE : THE LIST AND QUANTITY SHOWN ARE FOR 1 UNIT ASSEMBLY.

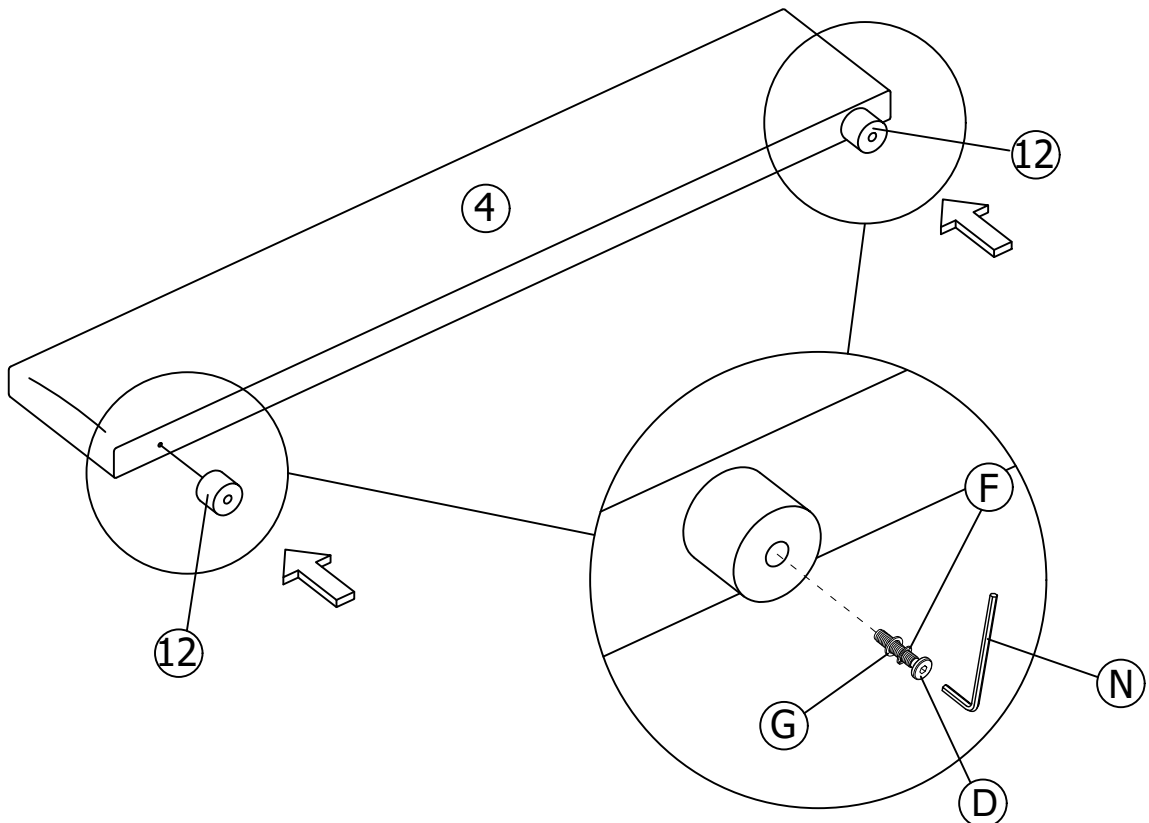
# STEP 1

<b>A</b>		<b>B</b>		<b>O</b>	
4pcs		4pcs		1pc	



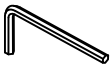


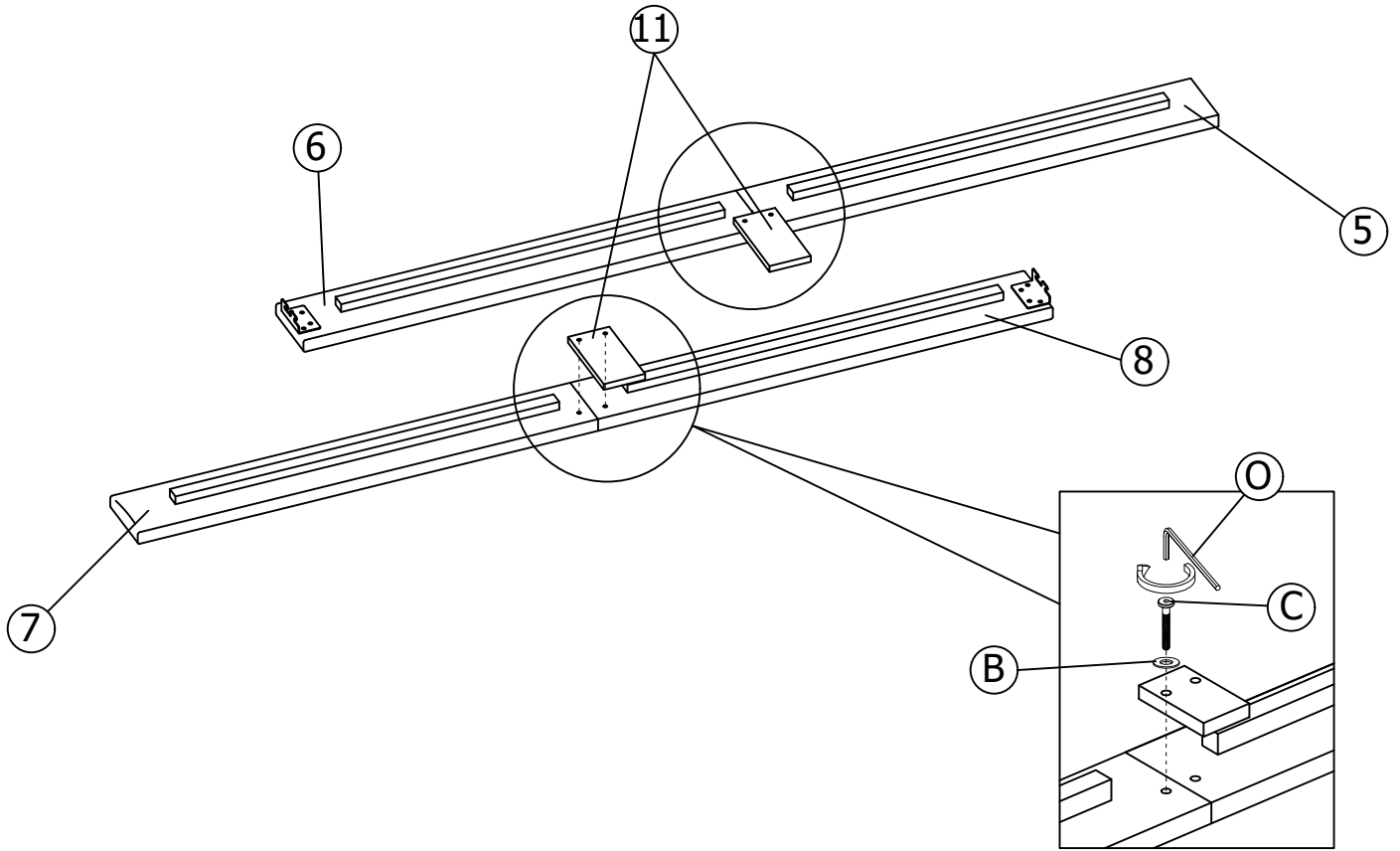
# STEP 2

<b>D</b>		<b>F</b>		<b>G</b>		<b>N</b>	
2pcs		2pcs		2pcs		1pc	

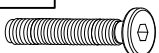

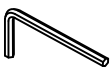


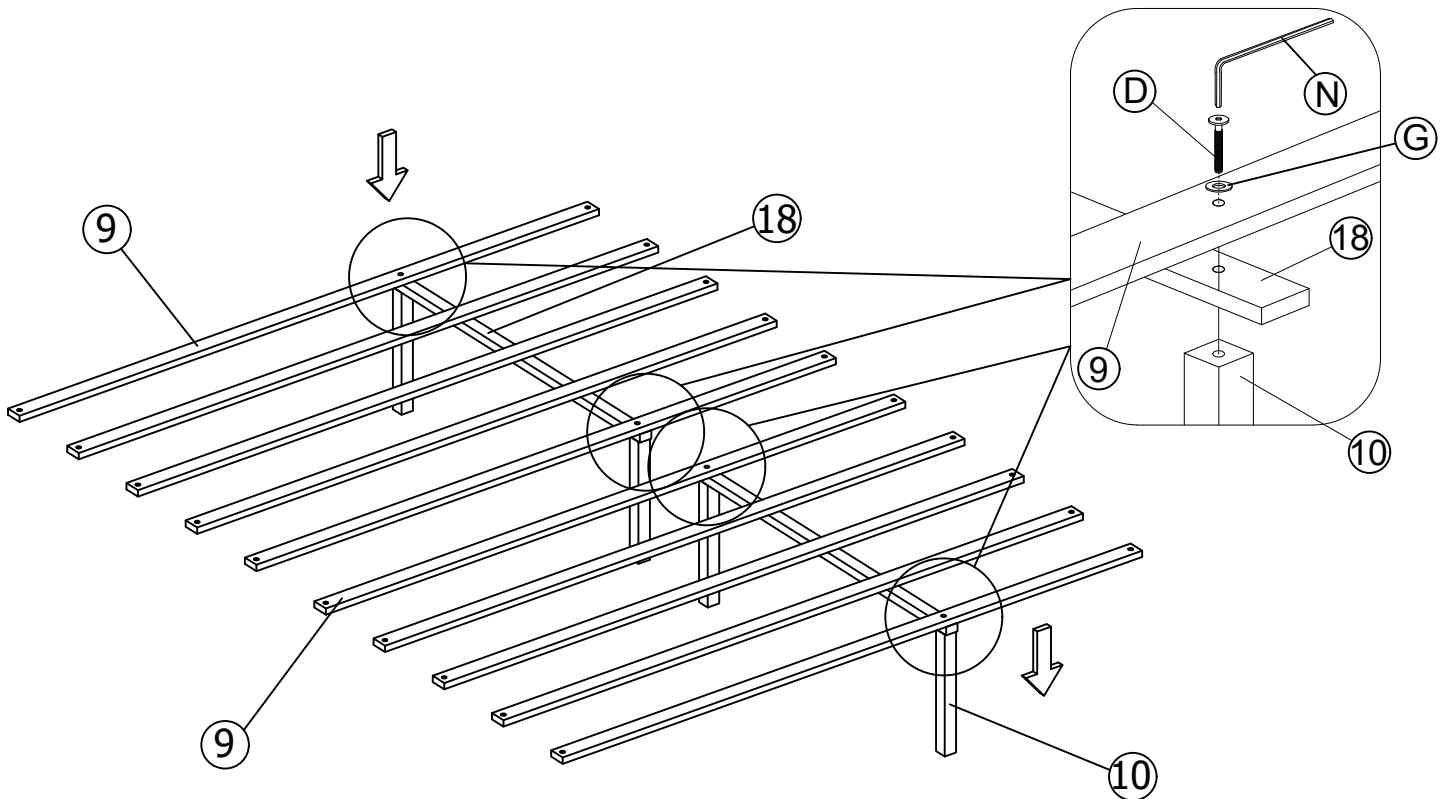
# STEP 3

<b>B</b>		<b>C</b>		<b>O</b>	
	4pcs		4pcs		1pc




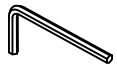


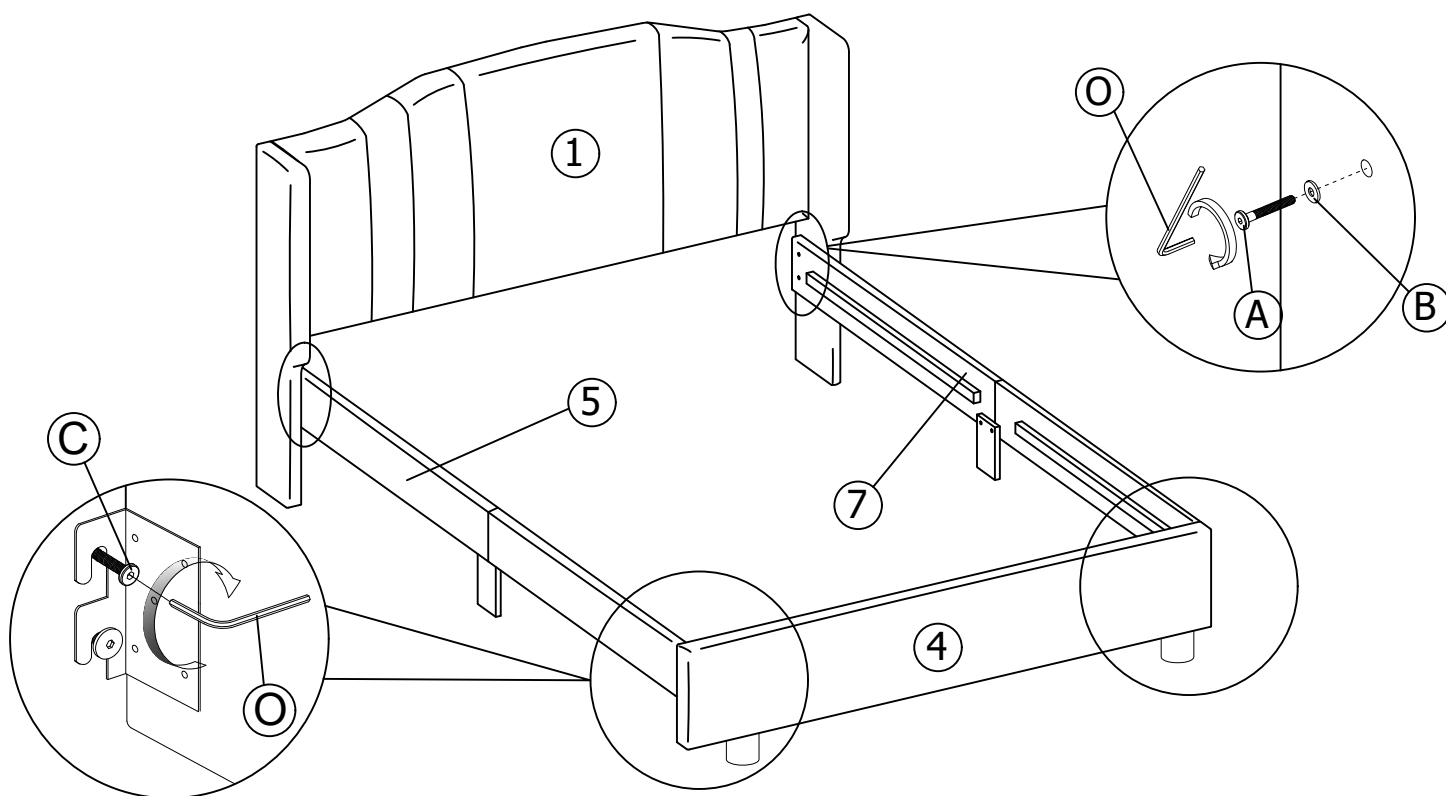
# STEP 4

<b>D</b>		<b>G</b>		<b>N</b>	
	4pcs		4pcs		1pc




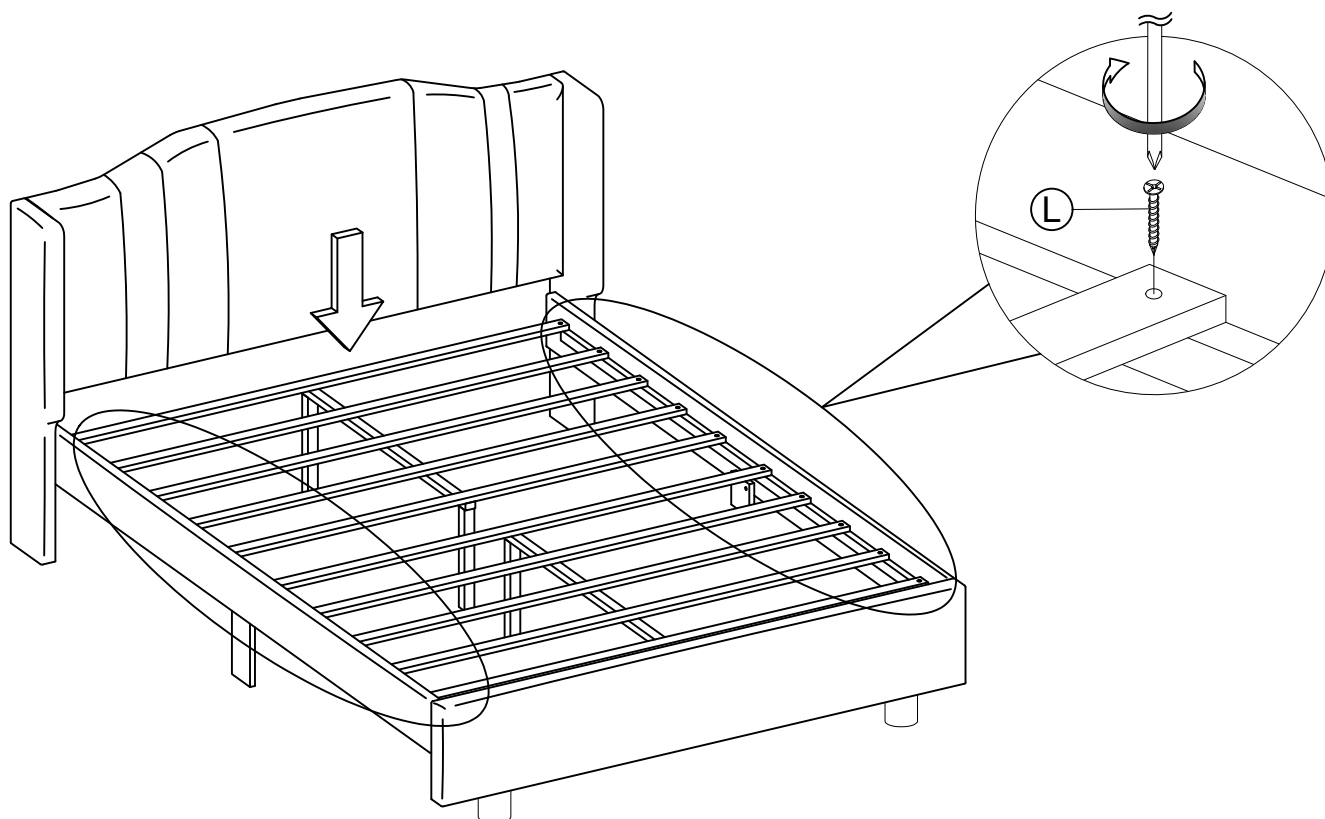
# STEP 5

<b>C</b>	<b>A</b>	<b>B</b>	<b>O</b>
			
4pcs	4pcs	4pcs	1pc



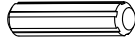

# STEP 6

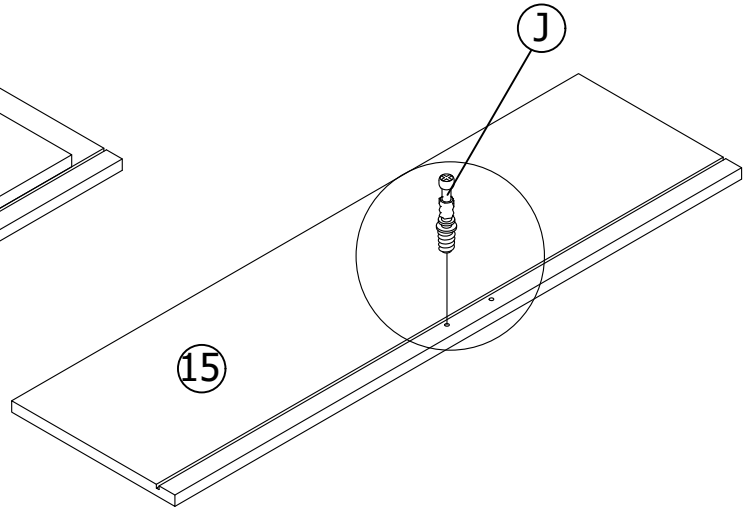
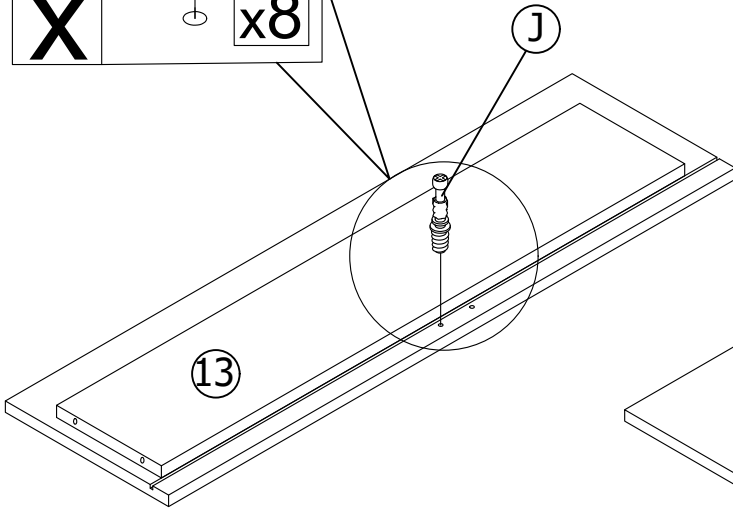
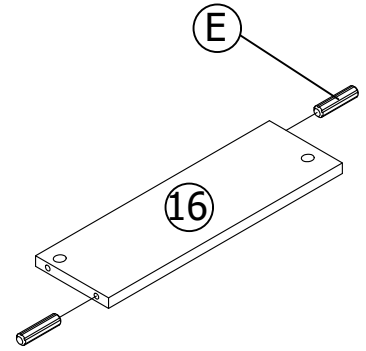
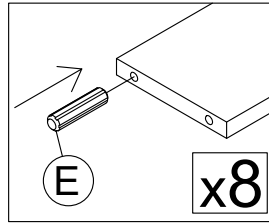
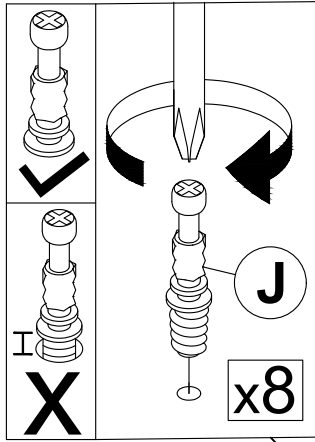
<b>L</b>

20pcs






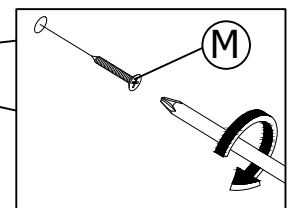
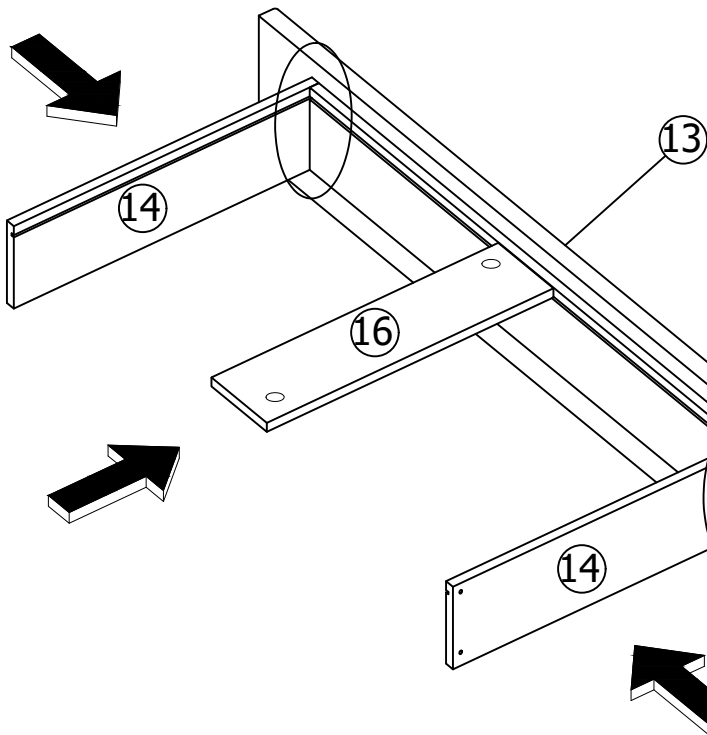
# STEP 7

<b>E</b>		<b>J</b>	
8pcs		8pcs	







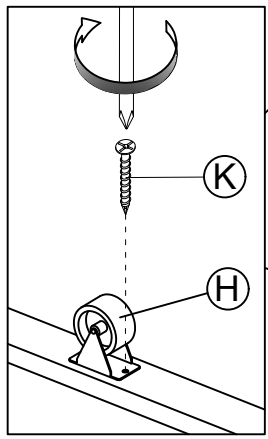
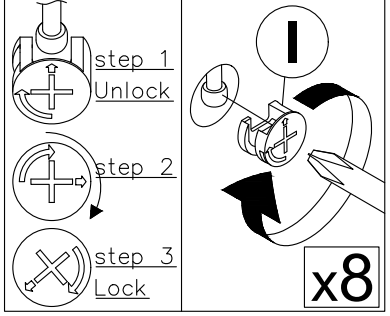
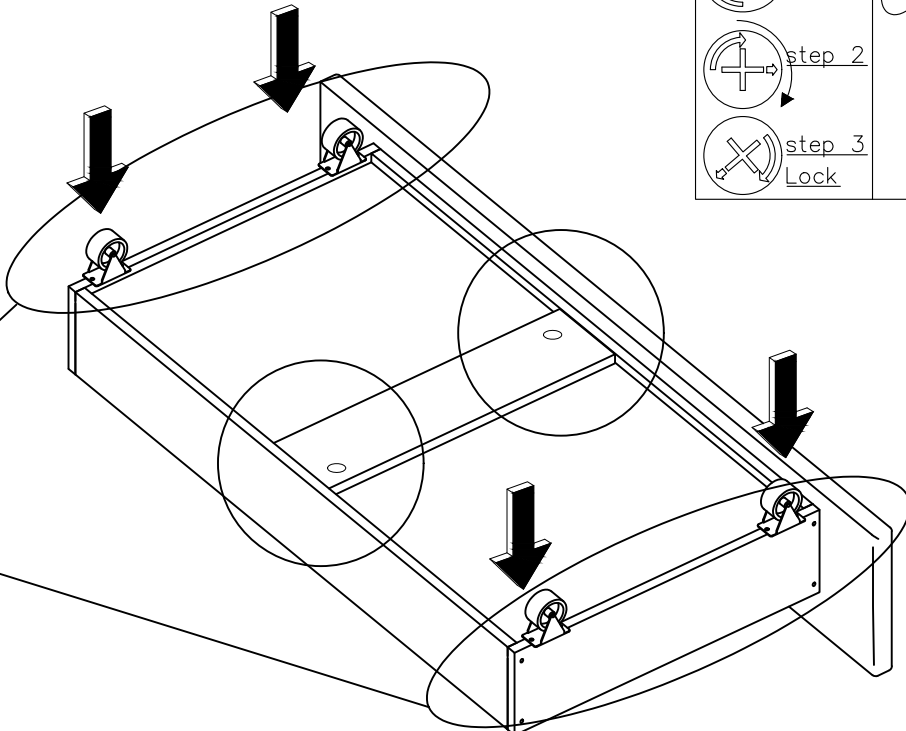
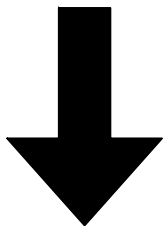
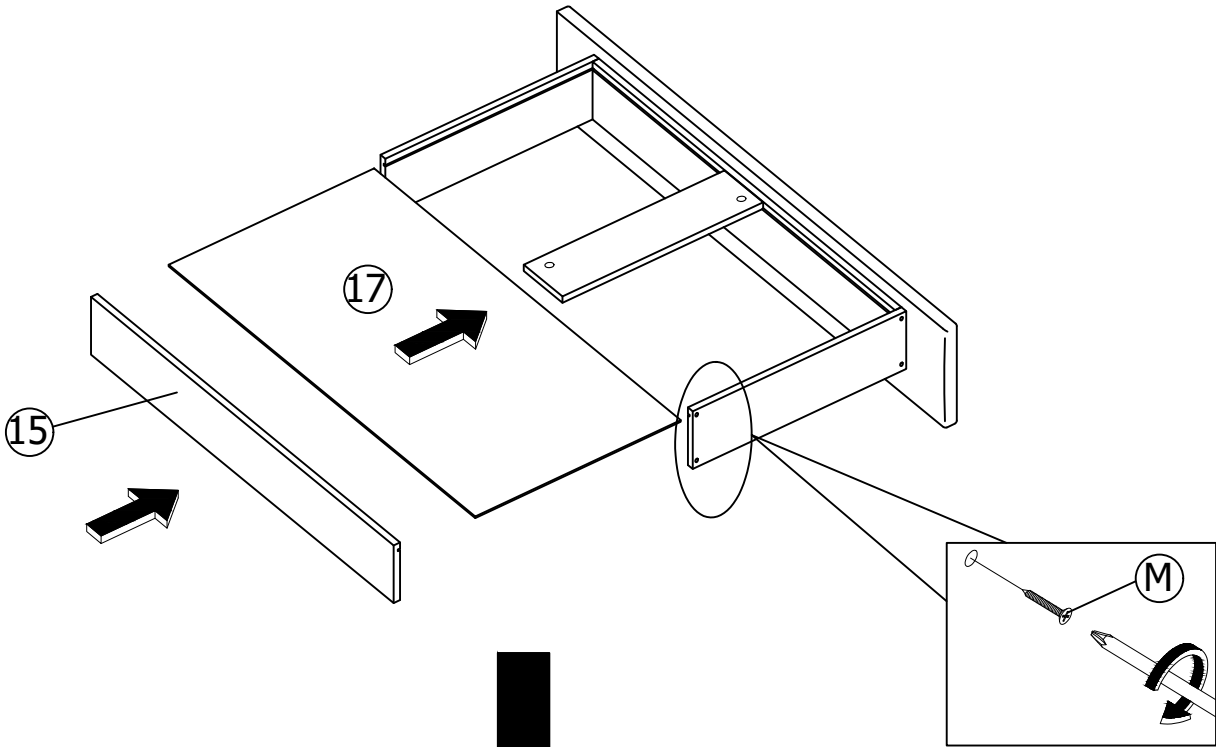
# STEP 8

<b>M</b>	
16pcs	



# STEP 9

I	H	K	M
			
8pcs	16pcs	32pcs	16pcs



STEP 10

