

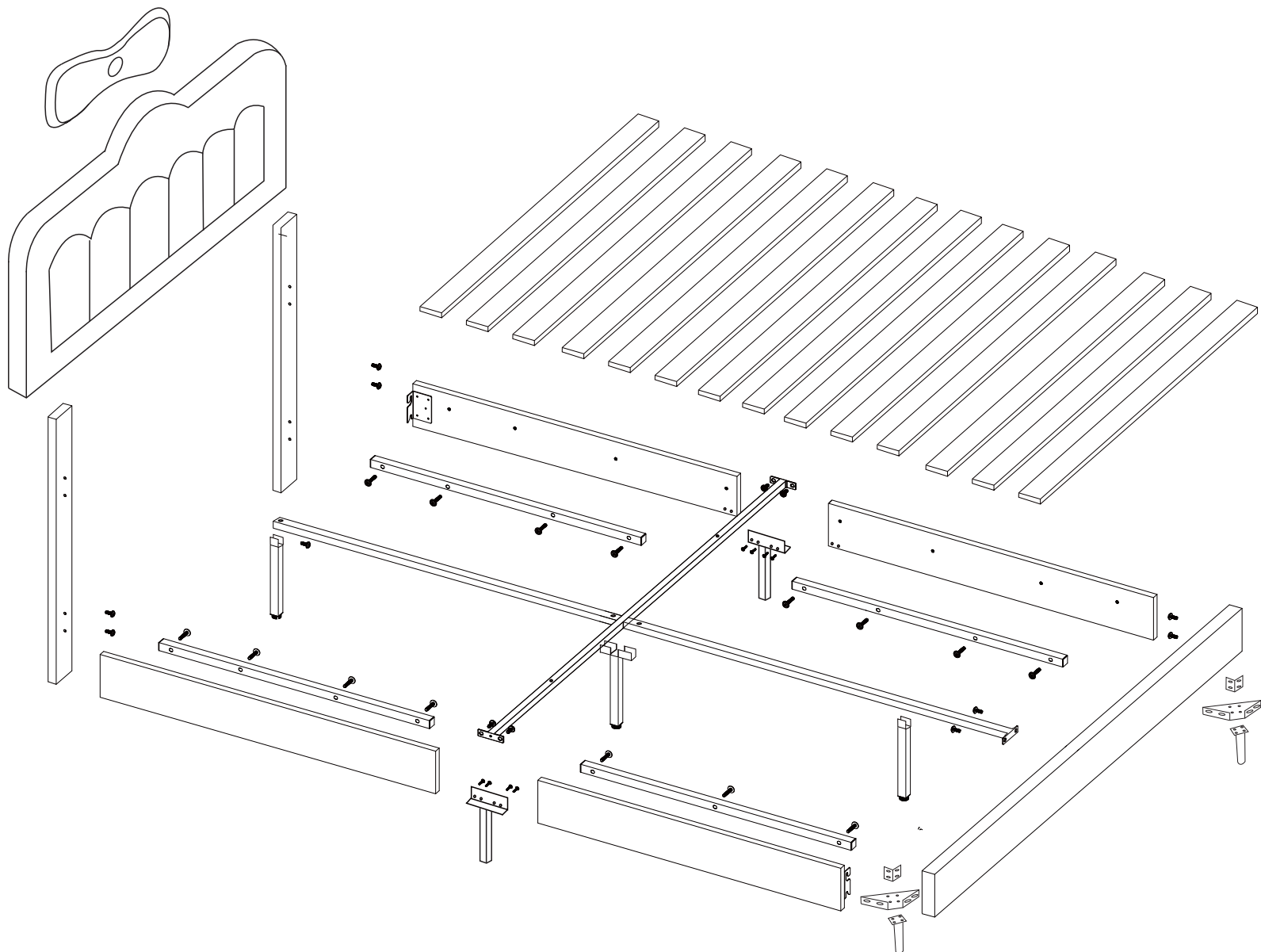
ASSEMBLY INSTRUCTION

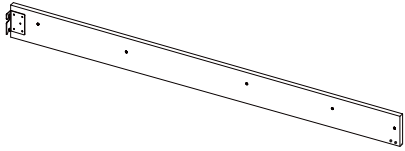
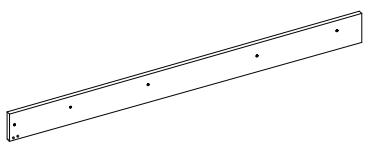
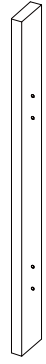
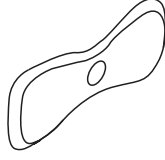
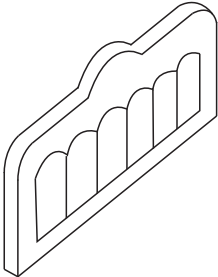
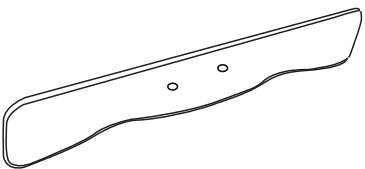
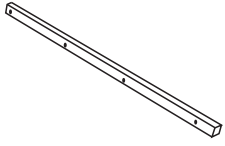
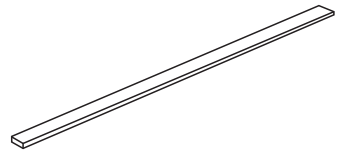
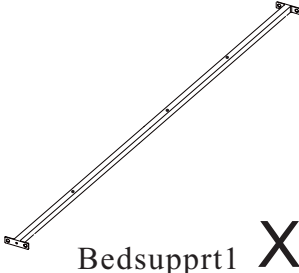
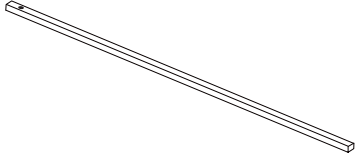
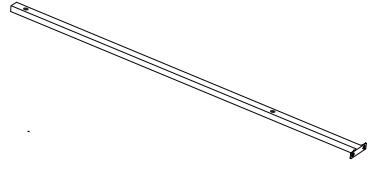
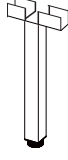

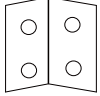
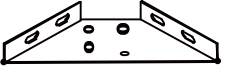

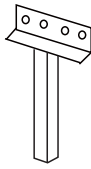

WF315549AAH



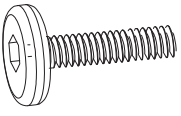
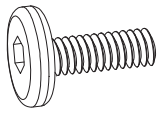
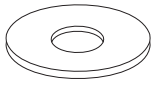

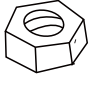
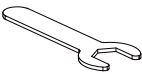
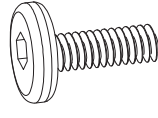

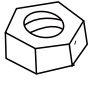
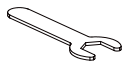

TIPS

1. Please read the instructions fully before assembly. These instructions include important information which could ensure correct assembly. We have been working on providing high quality products for you. However, in the rare instance that your product is defective, missing parts or there are some issues, please don't hesitate to contact our customer service to submit parts requirements, assembly suggestion, or warranty claims, and we will give the best solution as soon as possible. If necessary, we need you to provide some more clear pictures of the issue.
2. Insert the screws in holes and tighten the screws, but not too tight, 70%~80% is ok, finally tighten all the screws. If some issues happened that some screws can not target to the hole or some parts are difficult to install, please adjust the tightness of the screws.
3. 2 people are recommended to finish







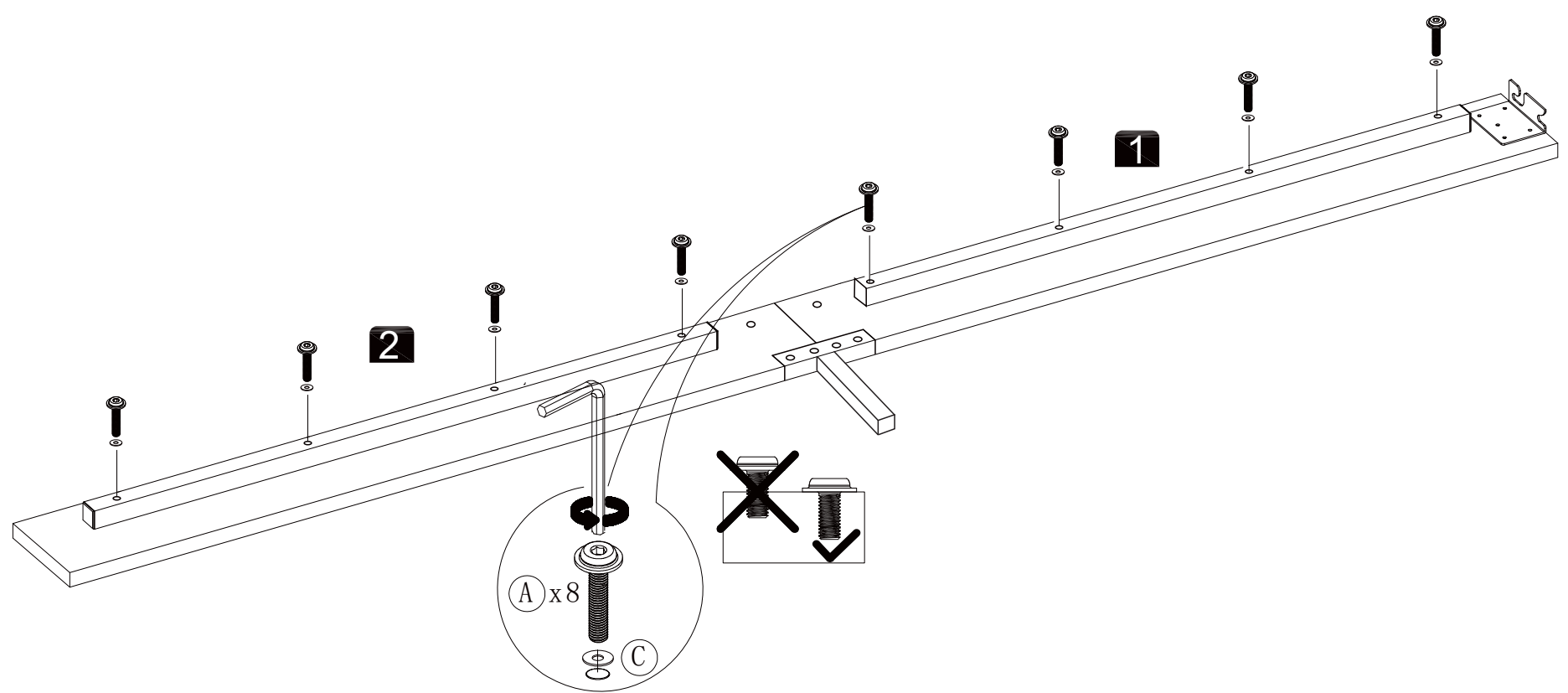
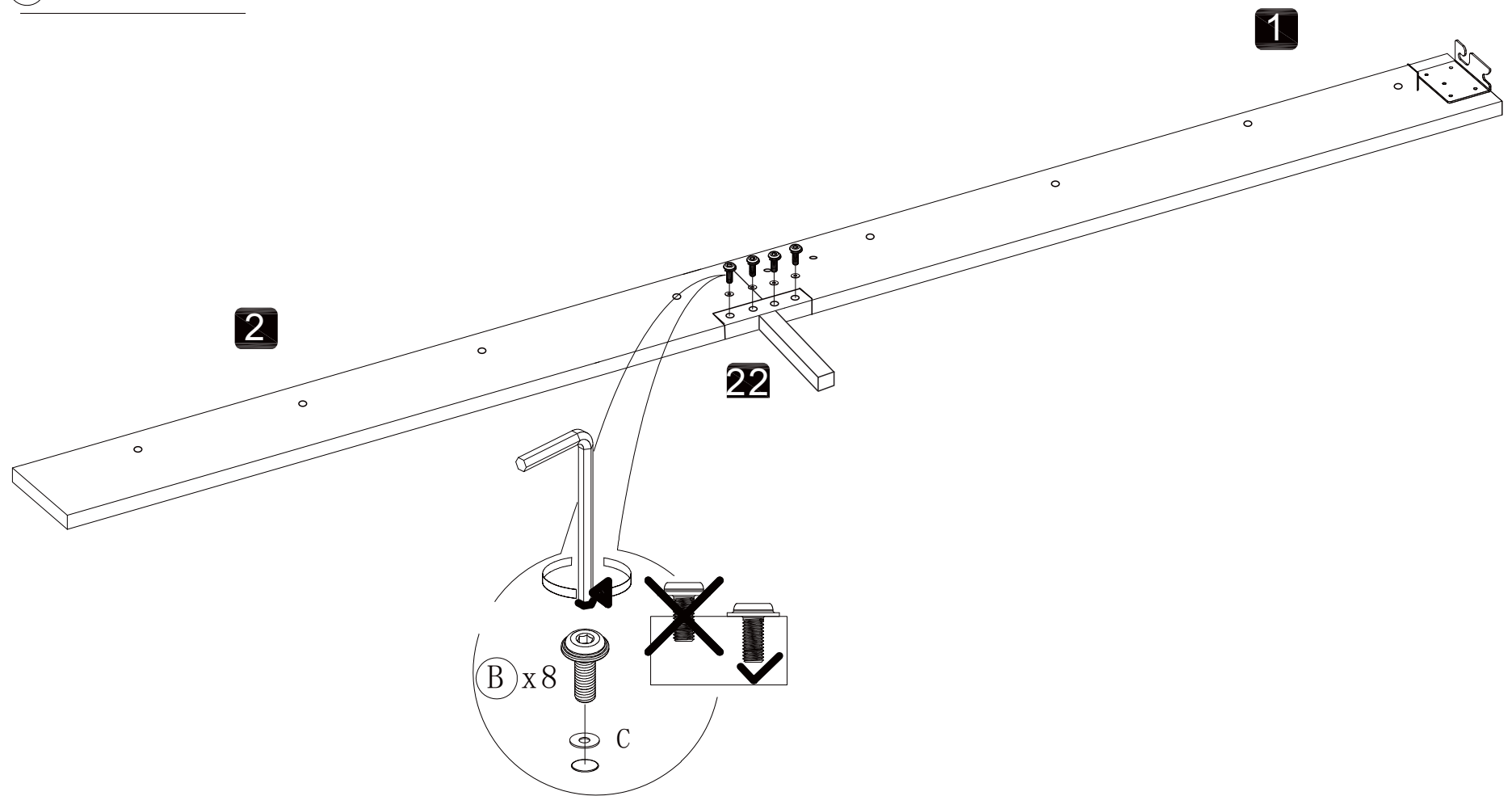
<p>1</p>  <p>Right rear of bedside X2</p>	<p>2</p>  <p>Left rear of bedside X2</p>	<p>3</p>  <p>Head board leg X2</p>	<p>4</p>  <p>BOW X1</p>
<p>5</p>  <p>on both sides of the bedside X2</p>	<p>6</p>  <p>Bedtail X1</p>	<p>7</p>  <p>Bedside edge strip X1</p>	<p>8</p>  <p>Skeleton arrangement X14</p>
<p>11</p>  <p>Bed support 1 X1</p>	<p>12</p>  <p>Bed support 2 X1</p>	<p>13</p>  <p>Bed support 3 X4</p>	<p>14</p>  <p>Midfoot X1</p>
<p>15</p>  <p>Centre Support Leg X2</p>	<p>16</p>  <p>four Hole Corner Code X2</p>	<p>17</p>  <p>Metal Corner Bracket X2</p>	<p>20</p>  <p>Support Foot X2</p>
<p>22</p>  <p>Hardware Middle Leg X2</p>	<p>22</p>  <p>Connecting Iron Sheets X2</p>		

Hardware List

<p>A</p>  <p>Bolts(M8x45mm) X25</p>	<p>B</p>  <p>Bolts(M8x16mm) X42</p>	<p>C</p>  <p>M8 Flat Washer X67</p>	<p>D</p>  <p>Allen Key X1</p>
<p>F</p>  <p>Bolts(M8x40mm) X2</p>	<p>G</p>  <p>Open-ended Spanner X1</p>	<p>H</p>  <p>Bolts(M6x16mm) X8</p>	<p>I</p>  <p>M6 Flat Washer X8</p>
<p>J</p>  <p>Bolts(M6x40mm) X8</p>	<p>K</p>  <p>M6 X1</p>	<p>L</p>  <p>M6 X1</p>	

Step1:

- (A)  x8
- (B)  x8
- (C)  x16
- (D)  x1



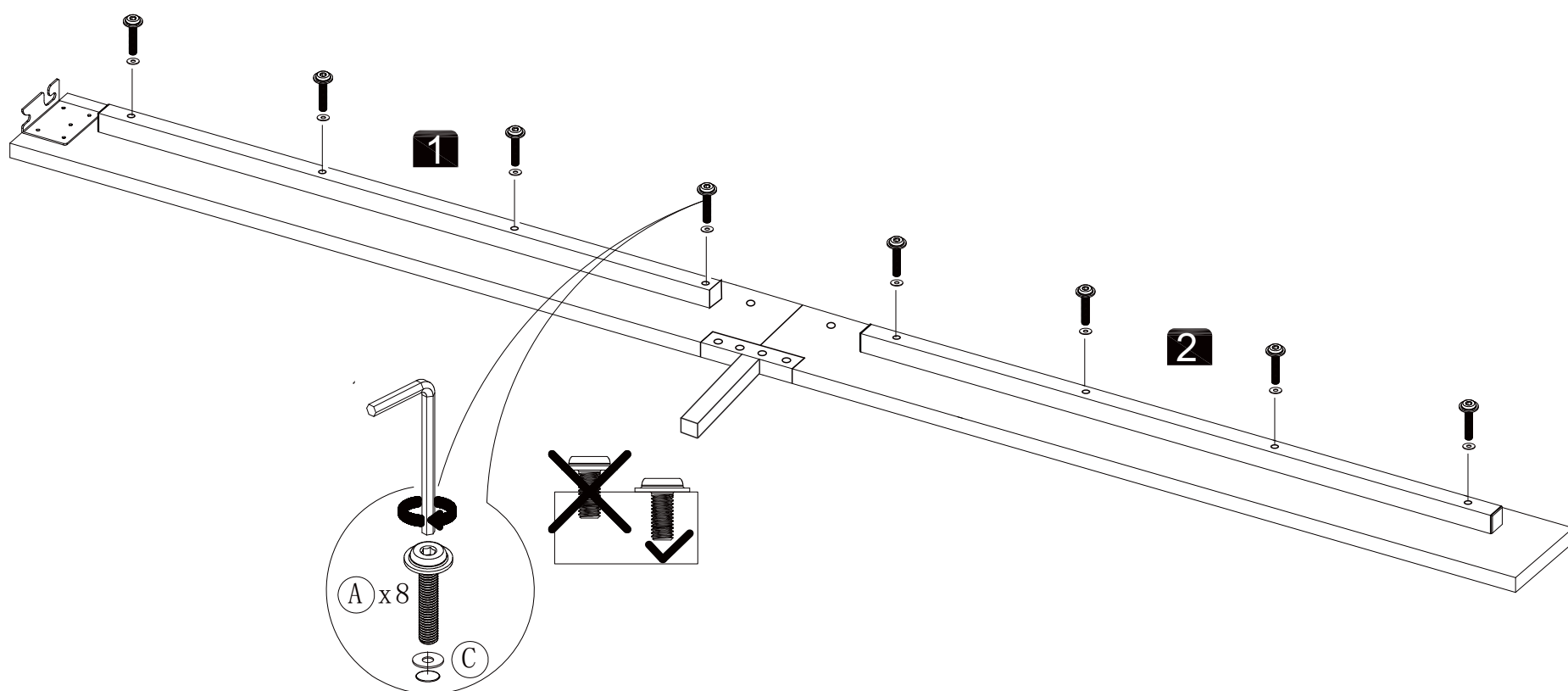
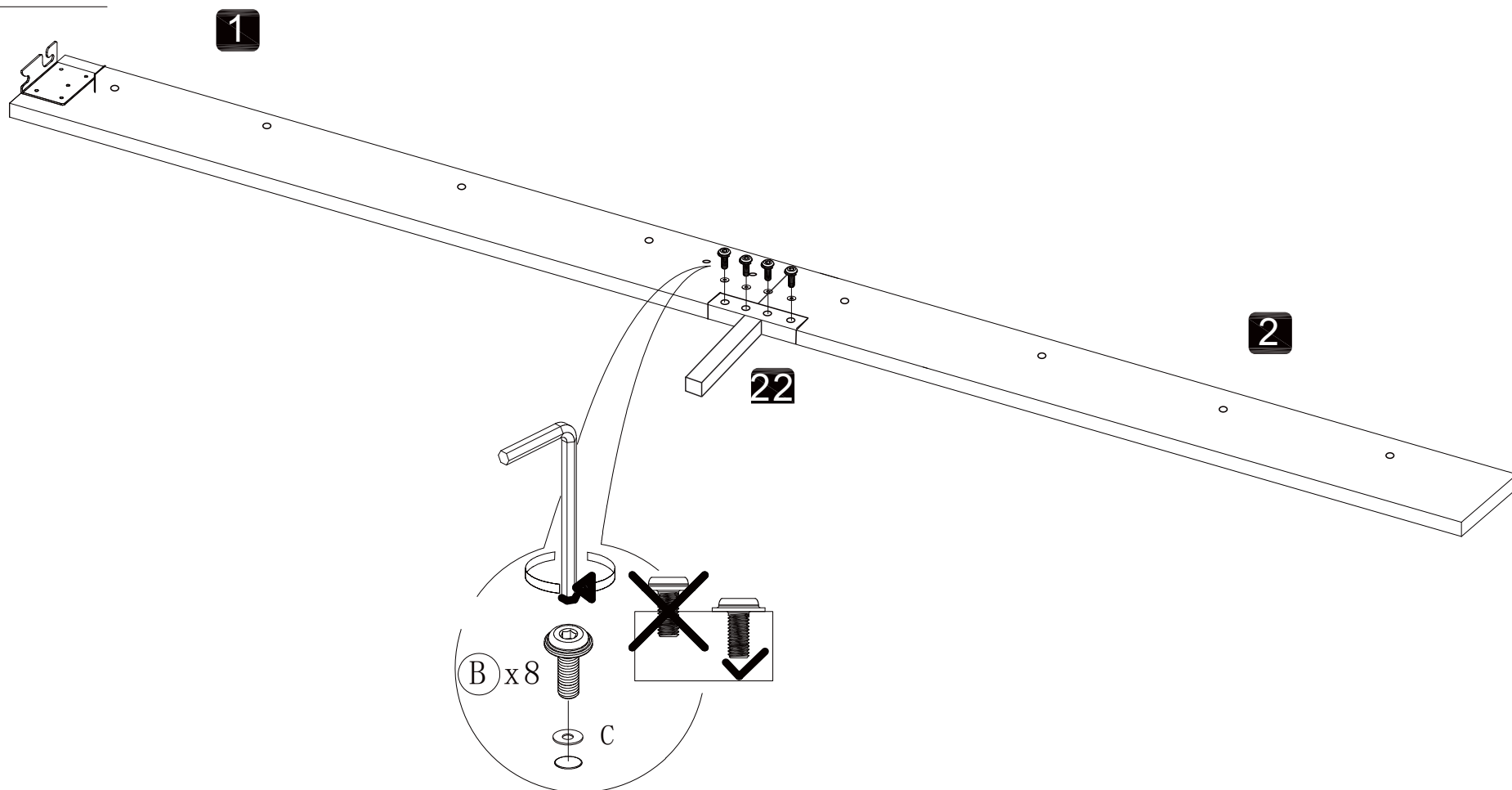
Step 2:

(A)  x8





(B)  x8

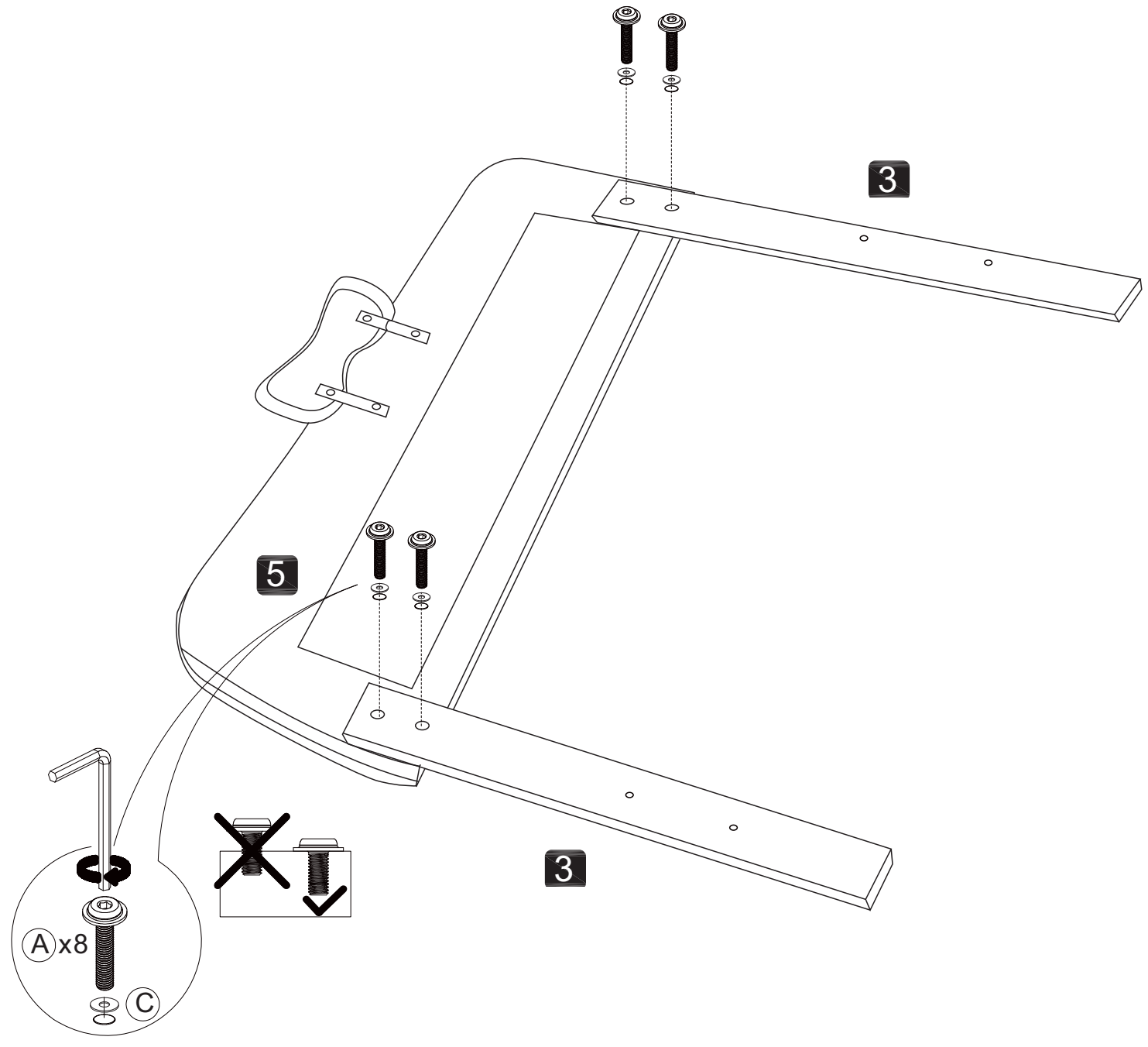
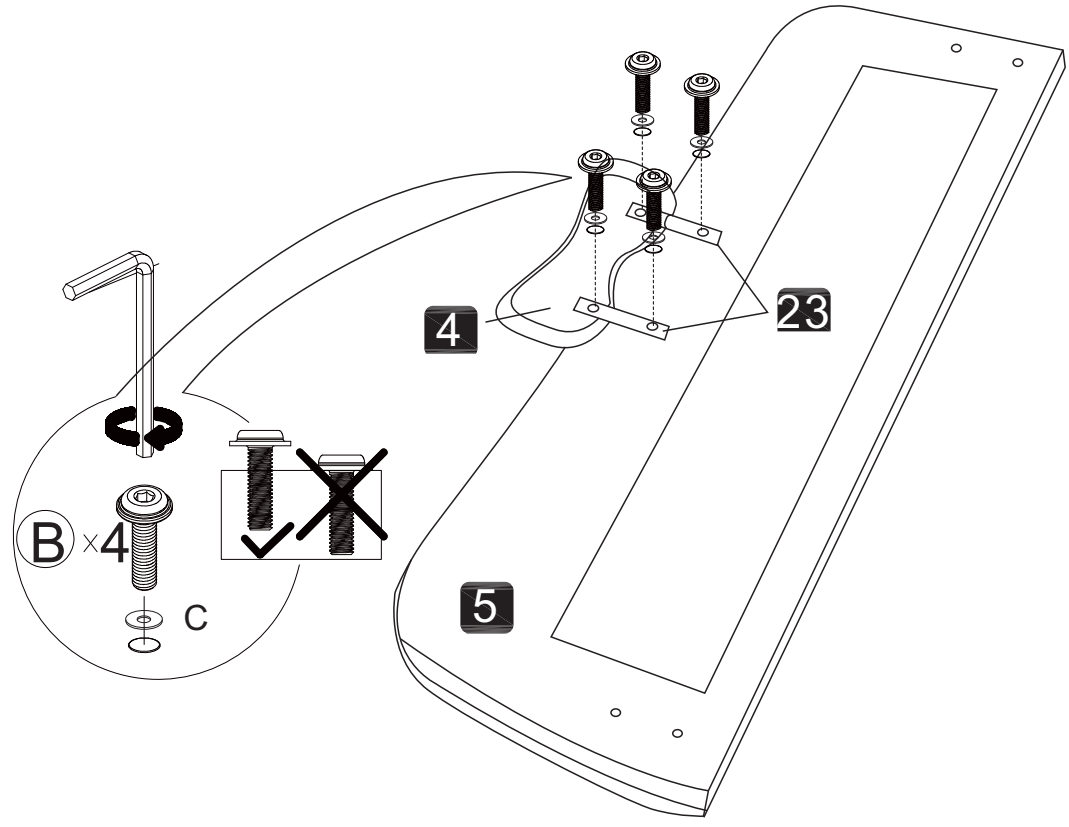
(C)  x16

(D)  x1



Step 3:

- (A)  x4
- (B)  x4
- (C)  x8
- (D)  x1



Step4 :


(B)  x16


(H)  x8

(C)  x18

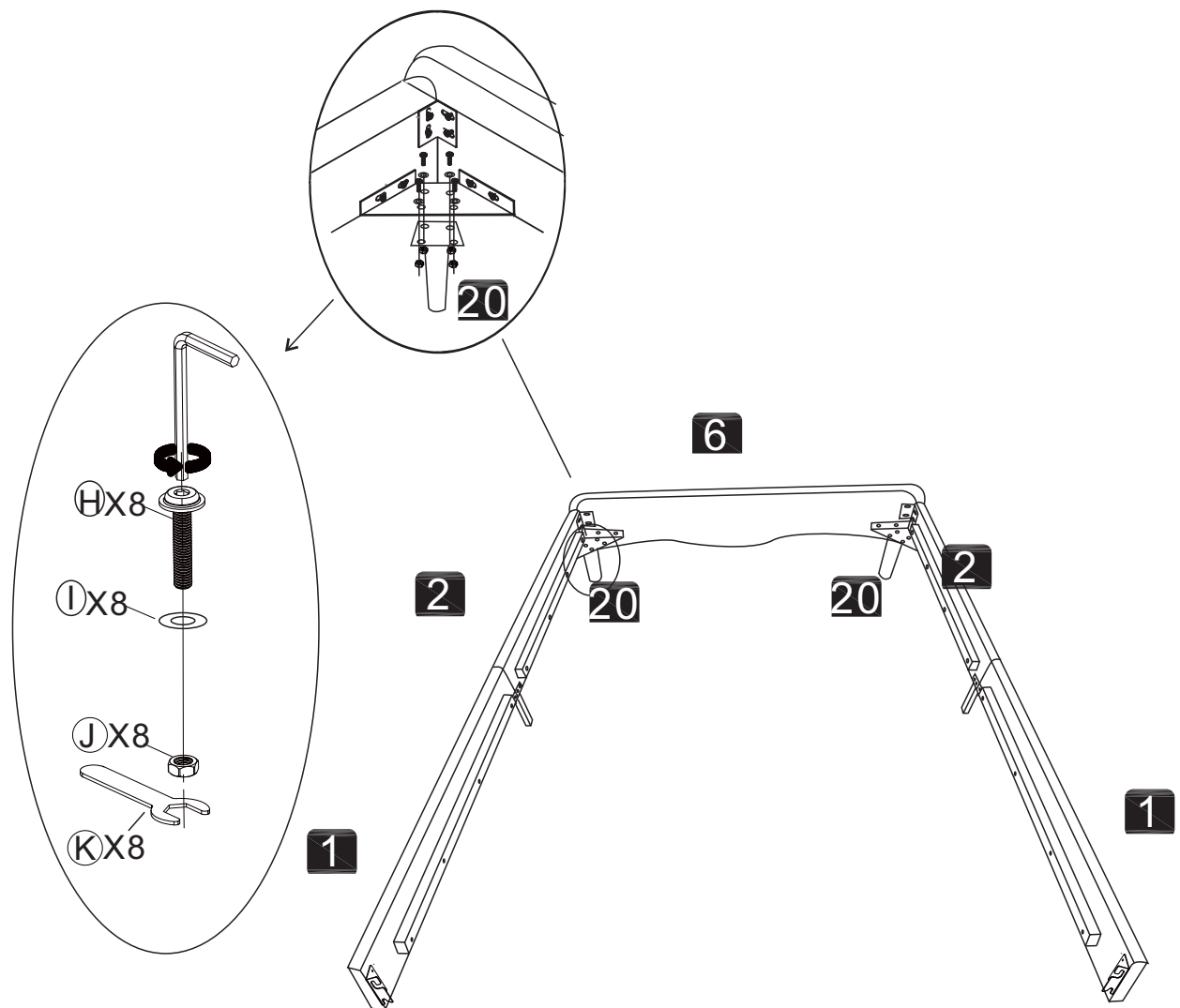
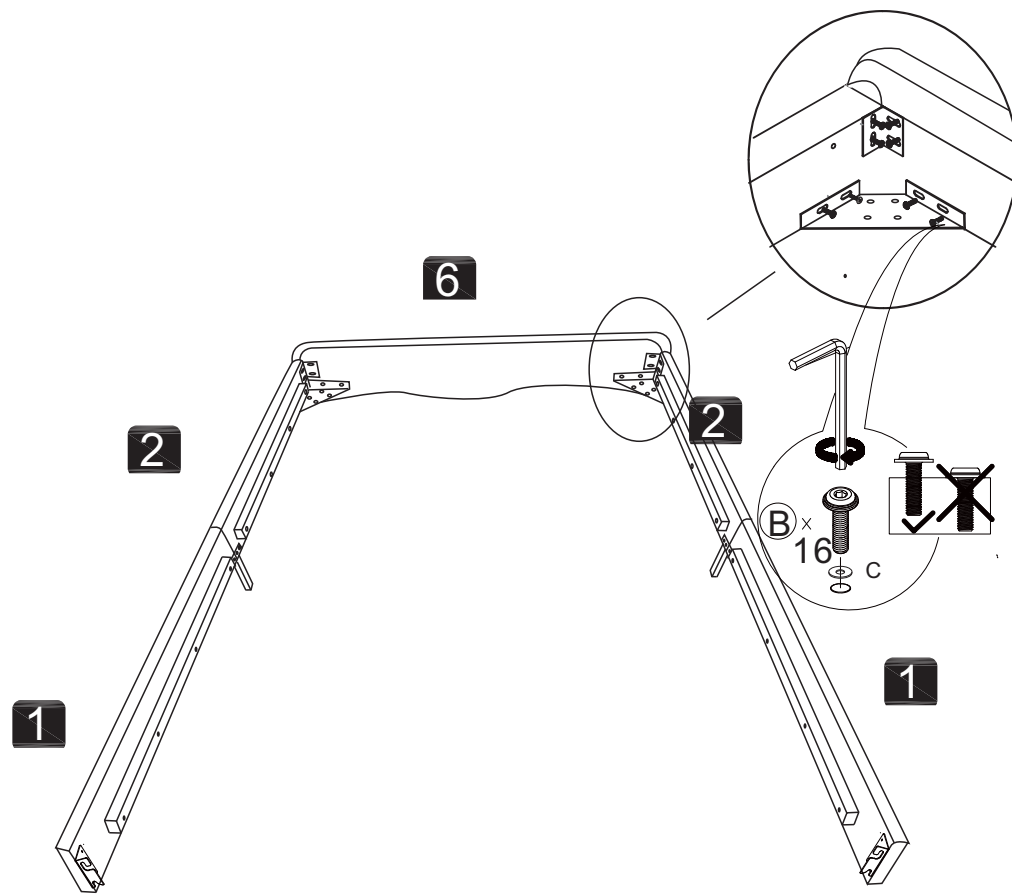
(D)  x1

(I)  x8




(L)  x1

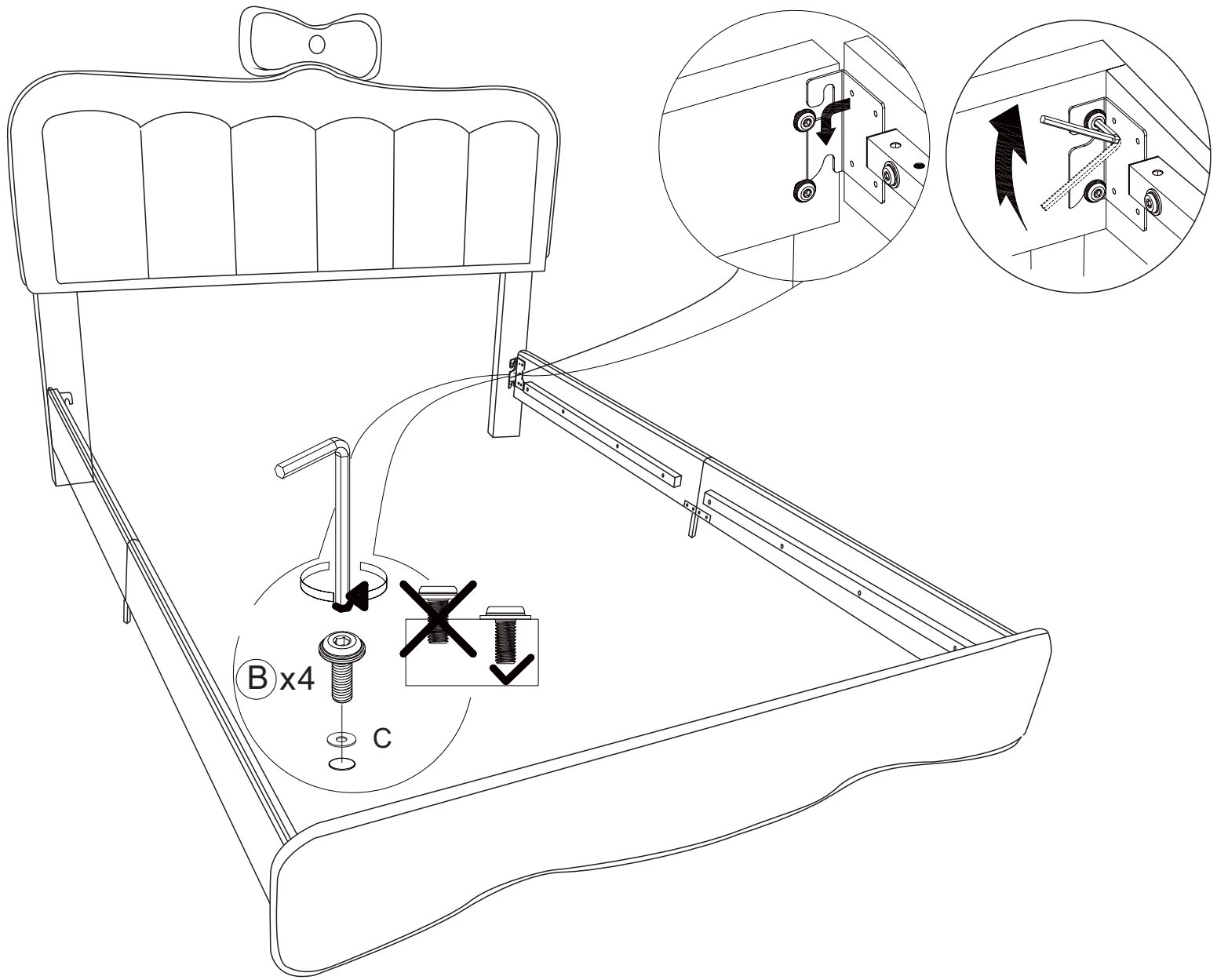
(J)  x8

(K)  x1








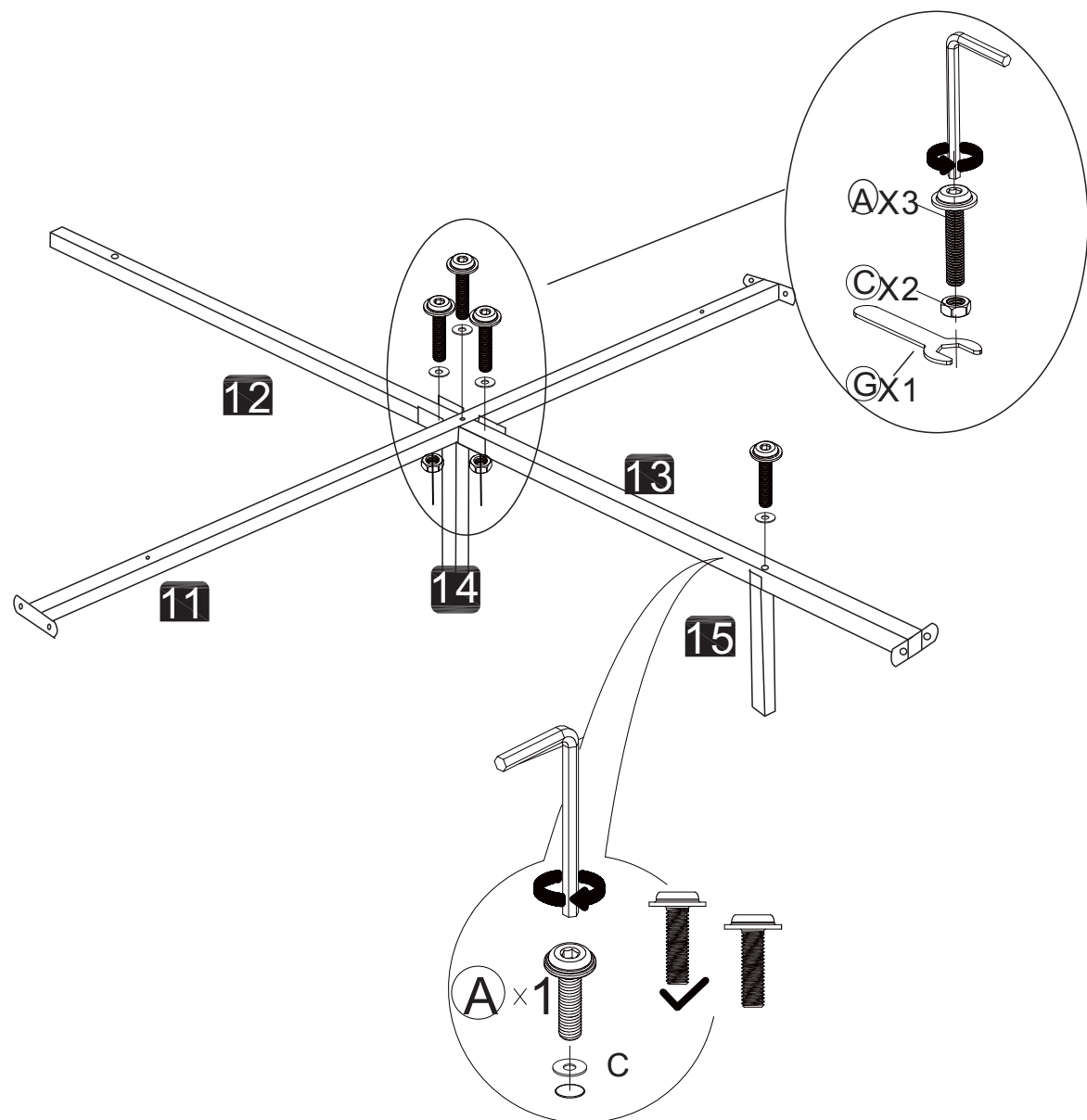
Step5:

- (B)**  x4
- (C)**  x4
- (D)**  x1






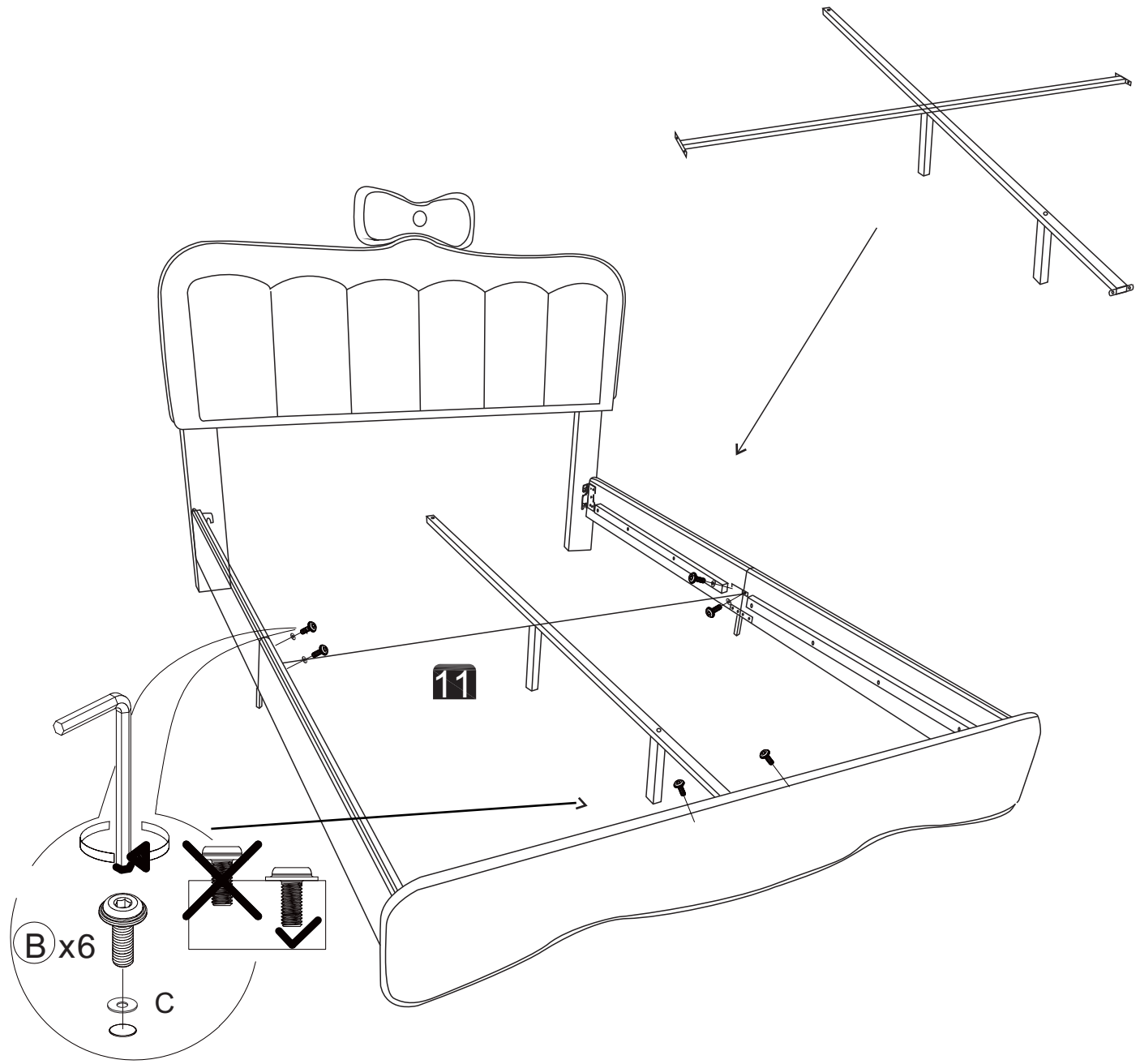
Step6:

- (A)**  x4
- (B)**  x2
- (C)**  x4
- (D)**  x1
- (G)**  x1






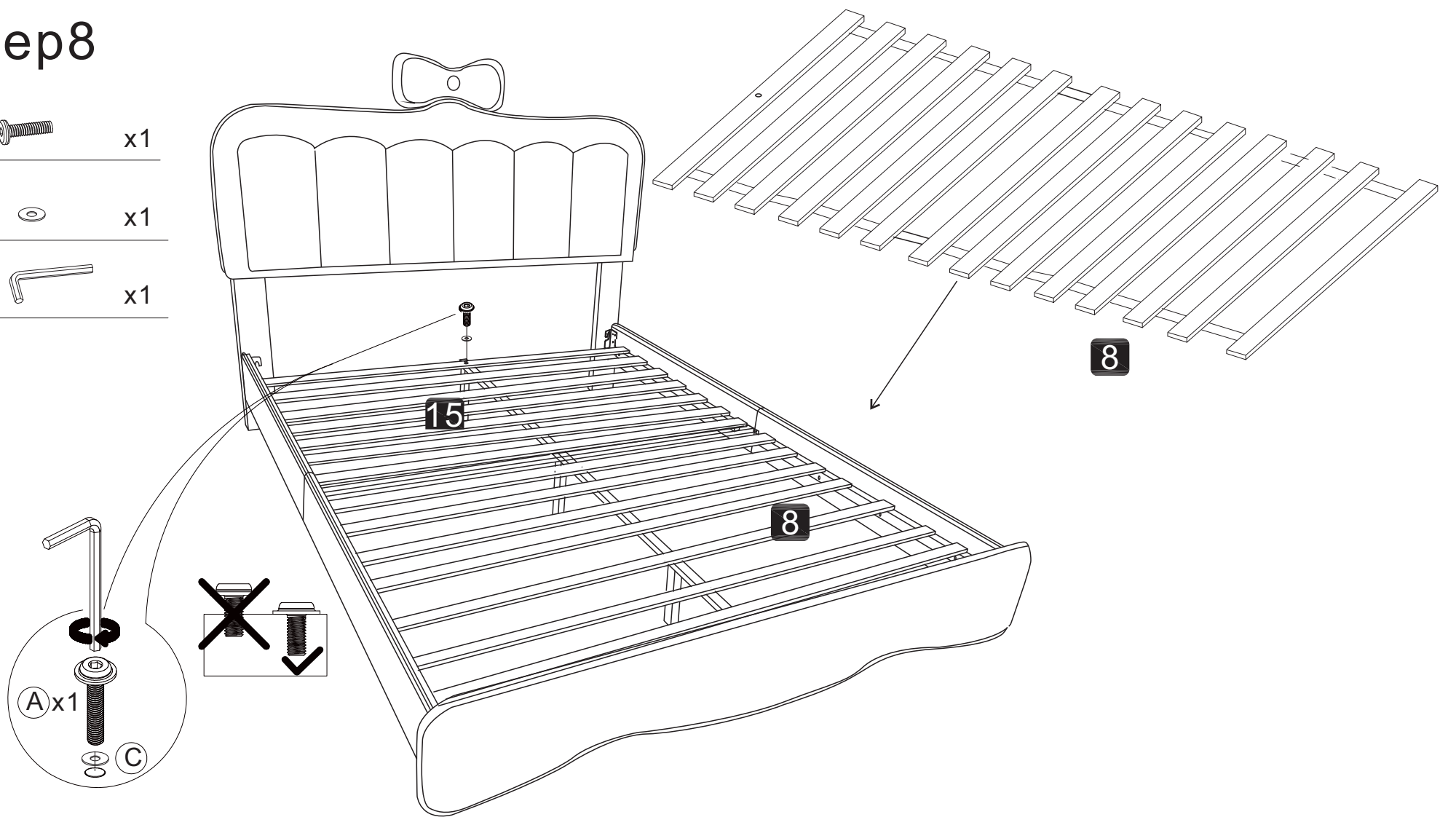
Step 7:

- B**  x6
- C**  x6
- D**  x1



Step 8

- A**  x1
- C**  x1
- D**  x1



Step 12:

