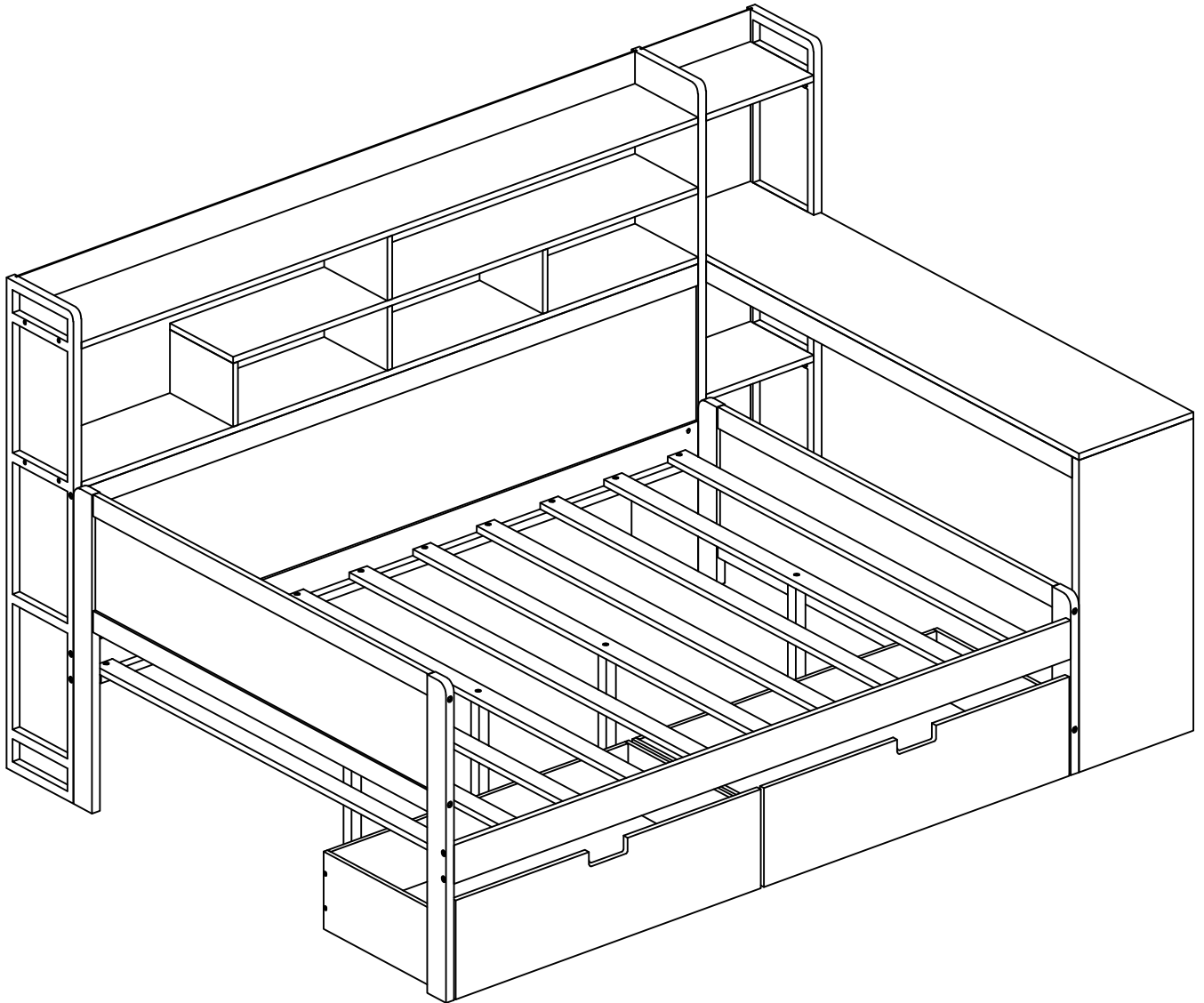
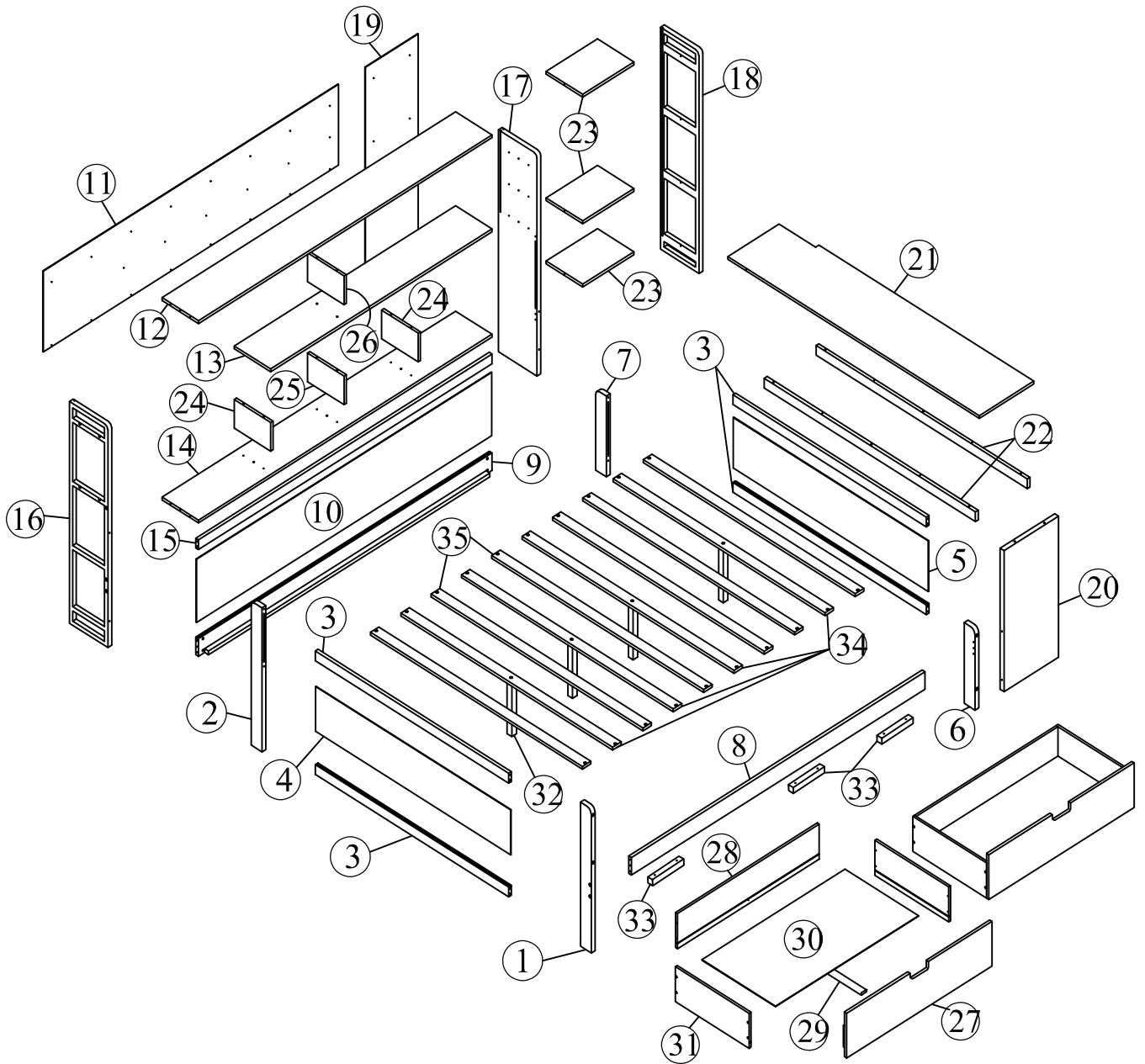


ASSEMBLY INSTRUCTION


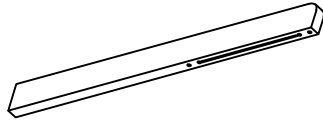
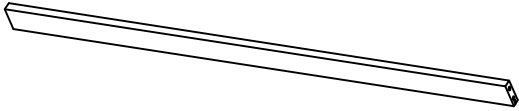

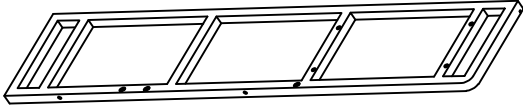
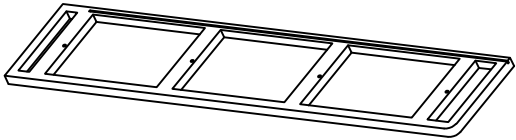
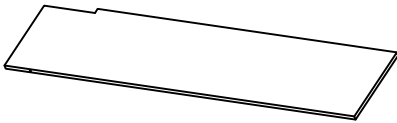

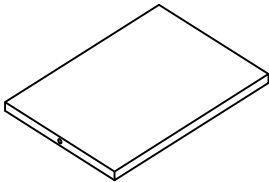
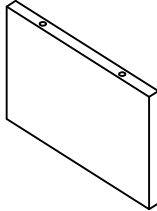
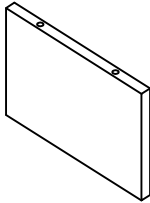
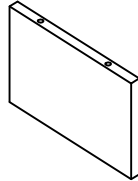
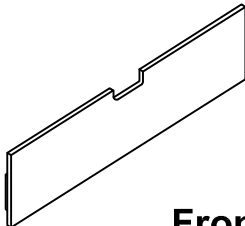
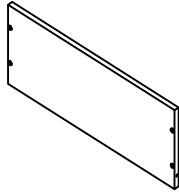
SKU CODE: WF318676 / WF318677



Detail:

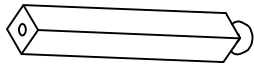


Part List (WF318676)

| | |
|---|---|
| <p>① x1</p>  <p>Front (left) Leg</p> | <p>② x1</p>  <p>Back (left) Leg</p> |
| <p>③ x4</p>  <p>Top guard</p> | <p>⑬ x1</p>  <p>Middle Shelf</p> |
| <p>⑯ x1</p>  <p>Side panel</p> | <p>⑱ x1</p>  <p>Side panel</p> |
| <p>⑳ x1</p>  <p>Top table</p> | <p>㉒ x2</p>  <p>Support table</p> |
| <p>㉓ x3</p>  <p>Small Shelf</p> | <p>㉔ x2</p>  <p>Partition board</p> |
| <p>㉕ x1</p>  <p>Partition board</p> | <p>㉖ x1</p>  <p>Partition board</p> |
| <p>㉗ x2</p>  <p>Front Drawers</p> | <p>㉛ x4</p>  <p>Side Drawers</p> |

Part List (WF318676)

32 x4



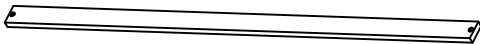
Support leg

34 x4



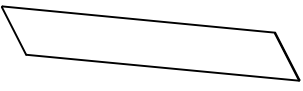
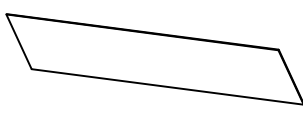

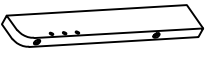

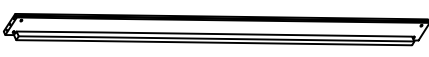
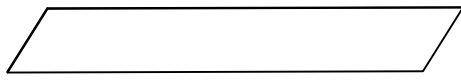
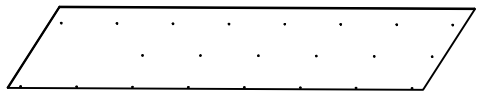

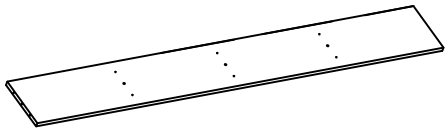
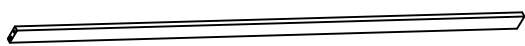

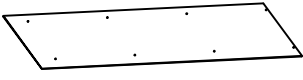
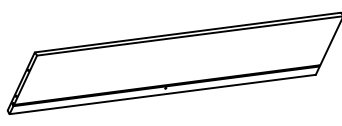
Slats

35 x6

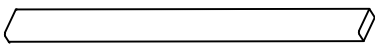
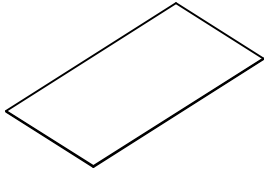
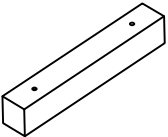
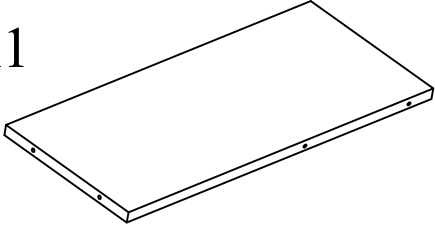


Slats





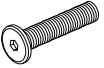
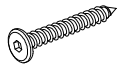


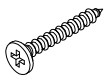



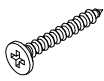



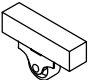

Part List (WF318677)

| | |
|--|--|
| <p>④ x1</p>  <p style="text-align: center;">Panel</p> | <p>⑤ x1</p>  <p style="text-align: center;">Panel</p> |
| <p>⑥ x1</p>  <p style="text-align: center;">Front (right) leg</p> | <p>⑦ x1</p>  <p style="text-align: center;">Back (right) leg</p> |
| <p>⑧ x1</p>  <p style="text-align: center;">Side rail</p> | <p>⑨ x1</p>  <p style="text-align: center;">Side rail</p> |
| <p>⑩ x1</p>  <p style="text-align: center;">Panel</p> | <p>⑪ x1</p>  <p style="text-align: center;">Back panel</p> |
| <p>⑫ x1</p>  <p style="text-align: center;">Top shelf</p> | <p>⑭ x1</p>  <p style="text-align: center;">Bottom shelf</p> |
| <p>⑮ x1</p>  <p style="text-align: center;">Top wood bar with groove</p> | <p>⑰ x1</p>  <p style="text-align: center;">Side panel</p> |
| <p>⑲ x1</p>  <p style="text-align: center;">Back panel</p> | <p>⑳ x2</p>  <p style="text-align: center;">Back Drawers</p> |

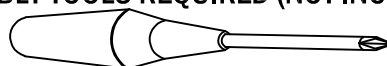
Part List (WF318677)

| | |
|---|--|
| <p>②9 x2</p>  <p>Support Drawers</p> | <p>③0 x2</p>  <p>Bottom Drawers</p> |
| <p>③3 x3</p>  <p>Wood bar</p> | <p>②0 x1</p>  <p>Side table</p> |


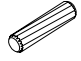


Hardware List (WF318676)

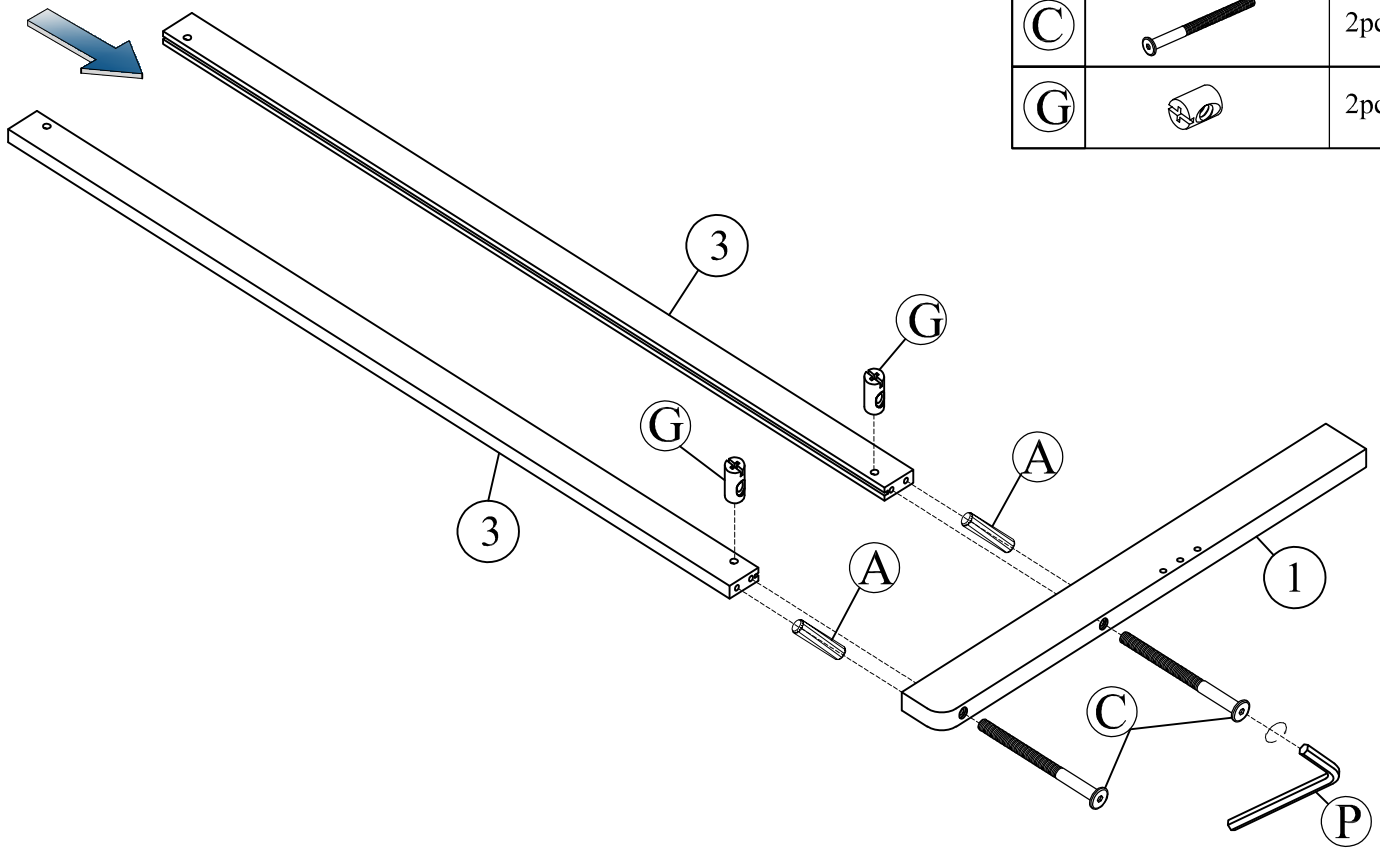
| No. | OUTLOOK | DESC | QTY |
|-----|---|--------------------------|-------|
| (A) |  | Dowel Ø8*30mm | 40pcs |
| (B) |  | Dowel Ø8*55mm | 2pcs |
| (C) |  | Bolts M6*110mm | 8pcs |
| (D) |  | Bolts M6*70mm | 10pcs |
| (E) |  | Bolts M6*30mm | 4pcs |
| (F) |  | Bolts M6*35mm | 6pcs |
| (G) |  | Cross dowel M6*13mm | 18pcs |
| (H) |  | Cross dowel Ø10*10mm | 16pcs |
| (I) |  | Flat head screw #8*60mm | 20pcs |
| (J) |  | Flat head screw #8*20mm | 16pcs |
| (K) |  | Flat head screw #8*30mm | 20pcs |
| (L) |  | Flat head screw #8*25mm | 24pcs |
| (M) |  | Flat head screw #7*12mm | 54pcs |
| (N) |  | Round head screw #8*15mm | 30pcs |
| (O) |  | Pat L | 27pcs |
| (P) |  | Allen key 60*22*4mm | 1pc |
| (Q) |  | Wheels | 8pcs |
| (Y) |  | Dowel Ø8*45mm | 2pcs |

ASSEMBLY TOOLS REQUIRED (NOT INCLUDED)

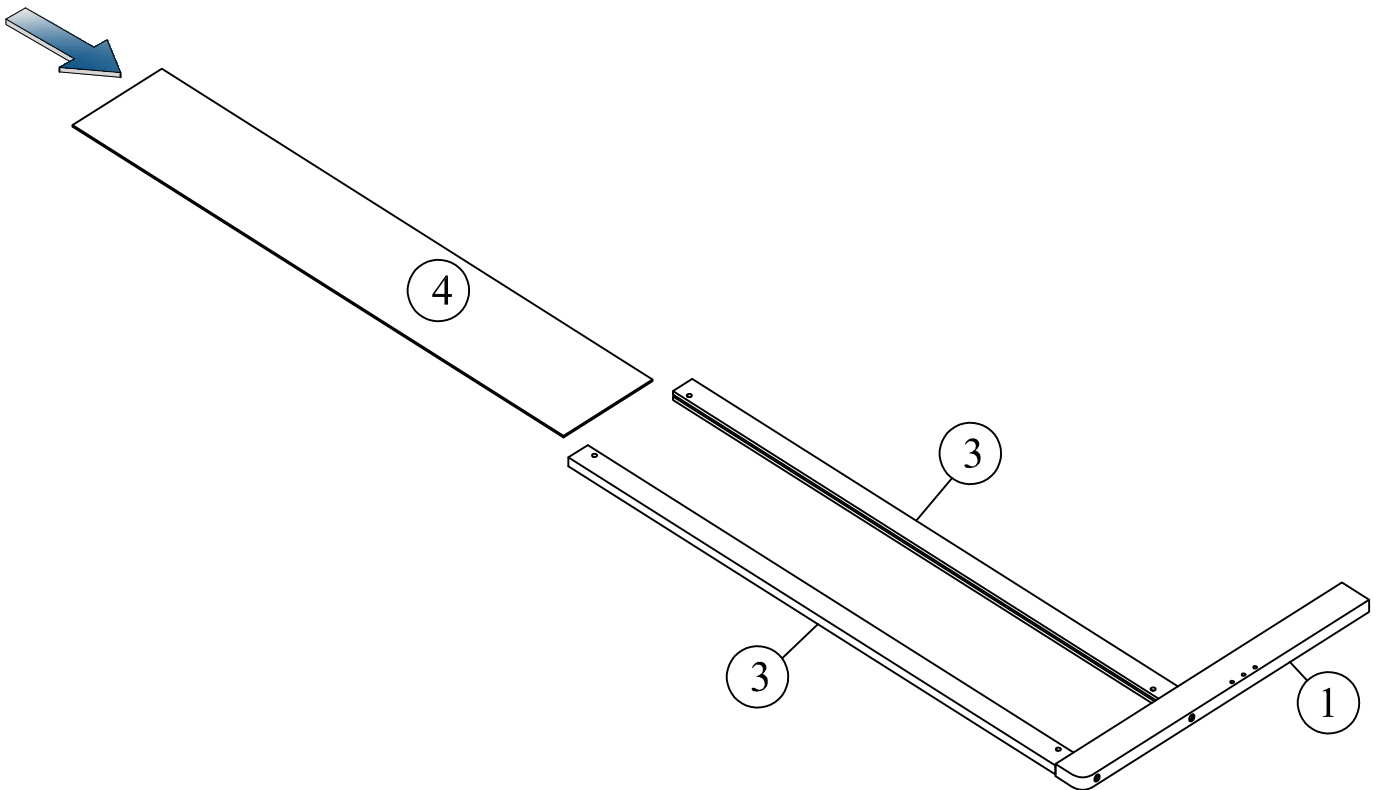


STEP 1:

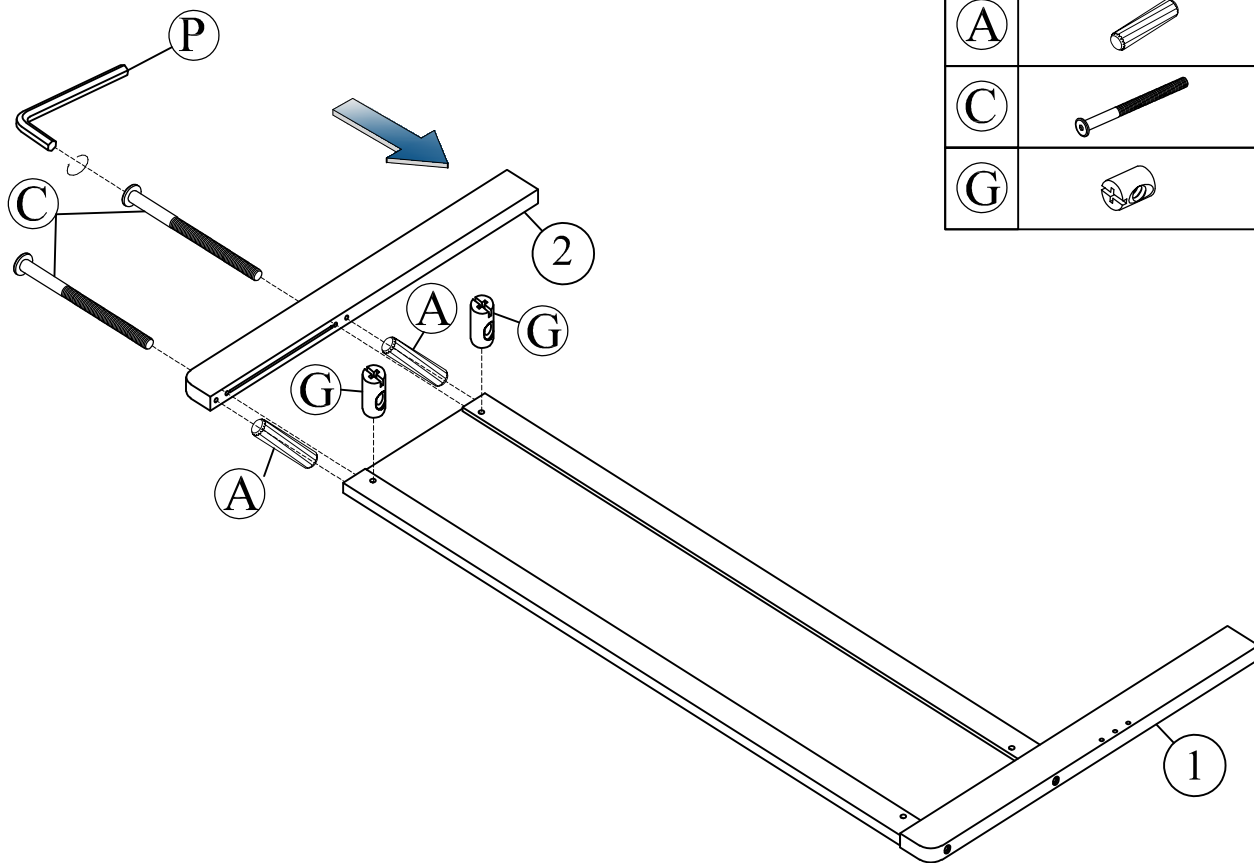
| | | |
|-----|---|------|
| (P) |  | 1pc |
| (A) |  | 2pcs |
| (C) |  | 2pcs |
| (G) |  | 2pcs |



STEP 2:

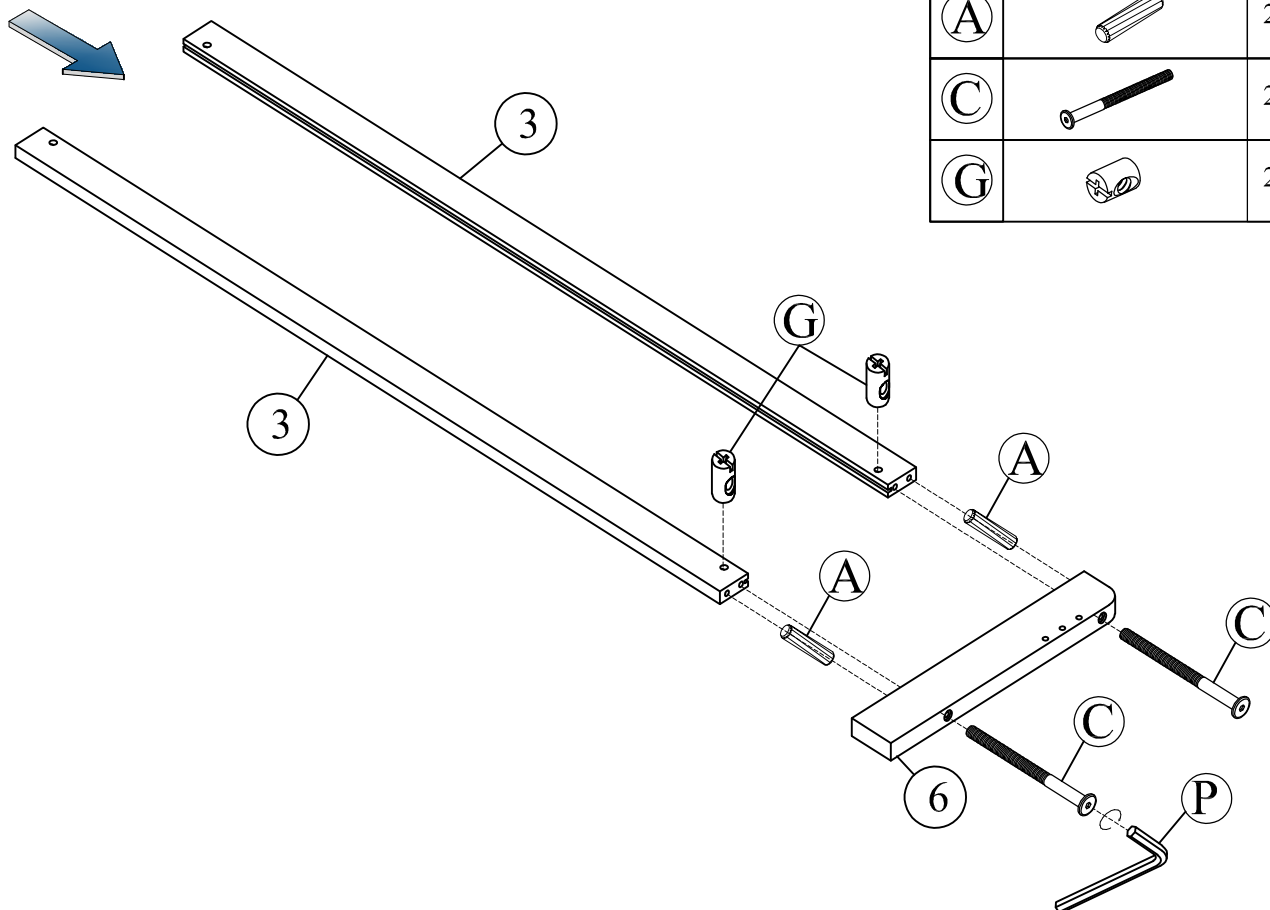


STEP 3:



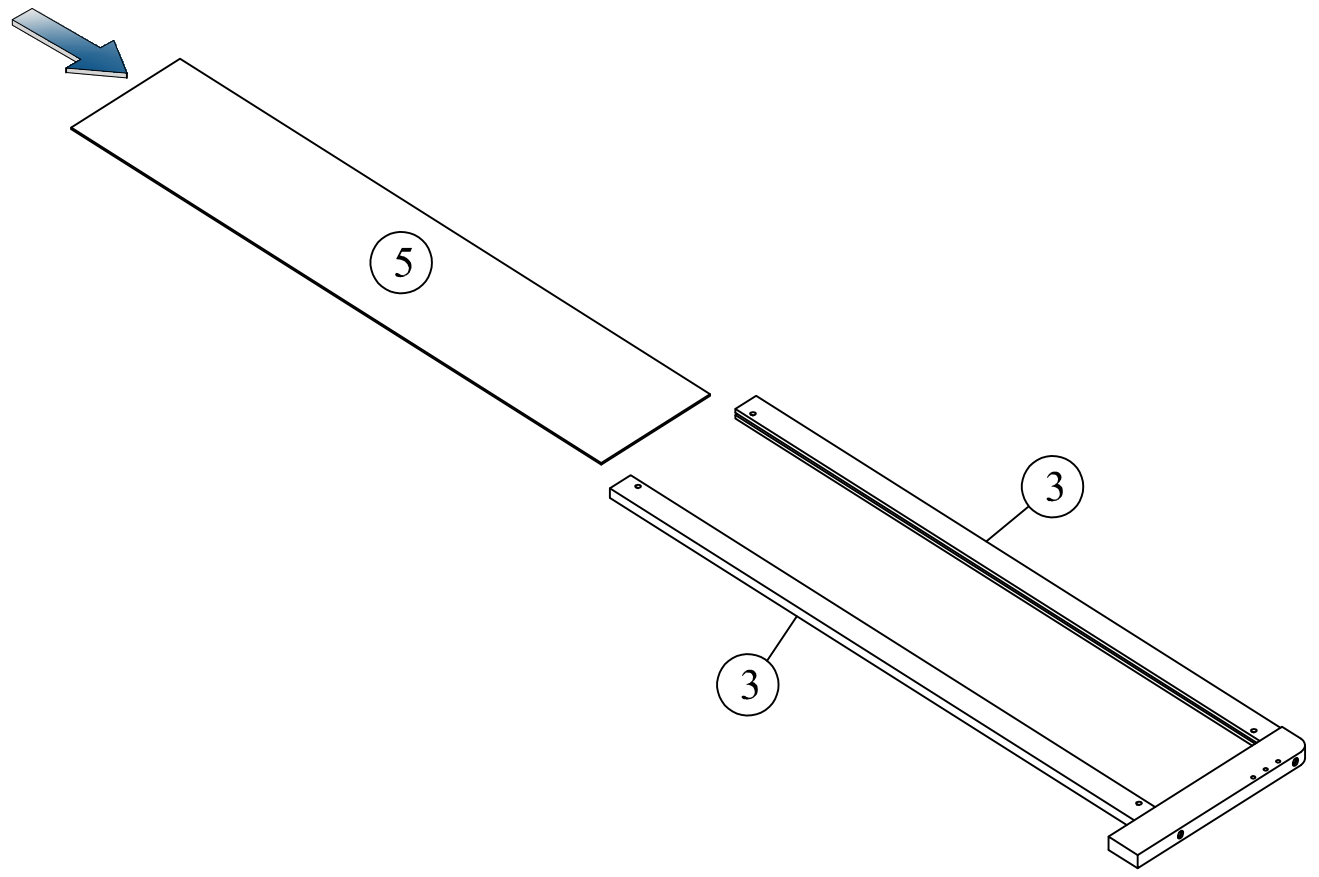
| | | |
|-----|--|------|
| (P) | | 1pc |
| (A) | | 2pcs |
| (C) | | 2pcs |
| (G) | | 2pcs |

STEP 4:

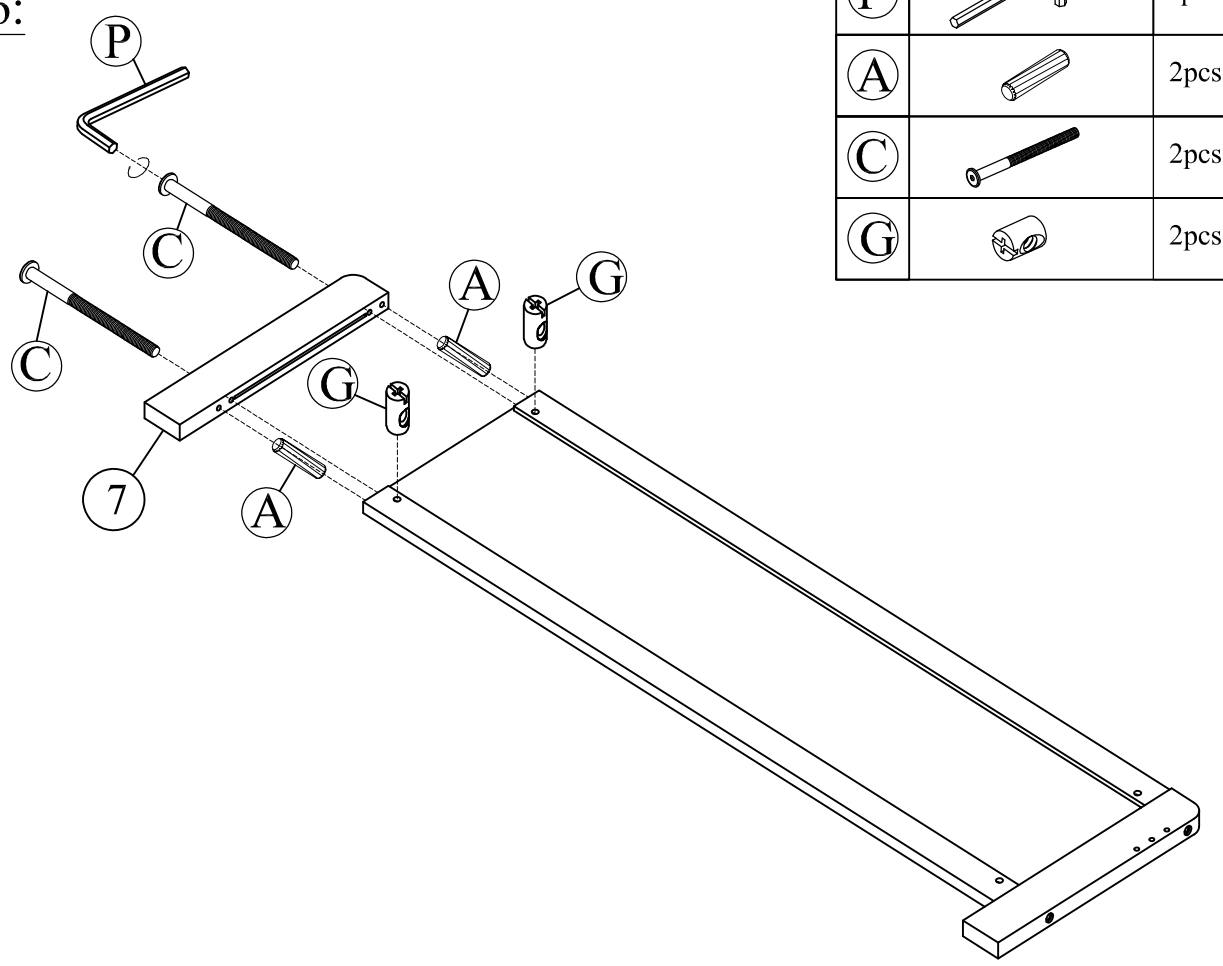


| | | |
|-----|--|------|
| (P) | | 1pc |
| (A) | | 2pcs |
| (C) | | 2pcs |
| (G) | | 2pcs |

STEP 5:

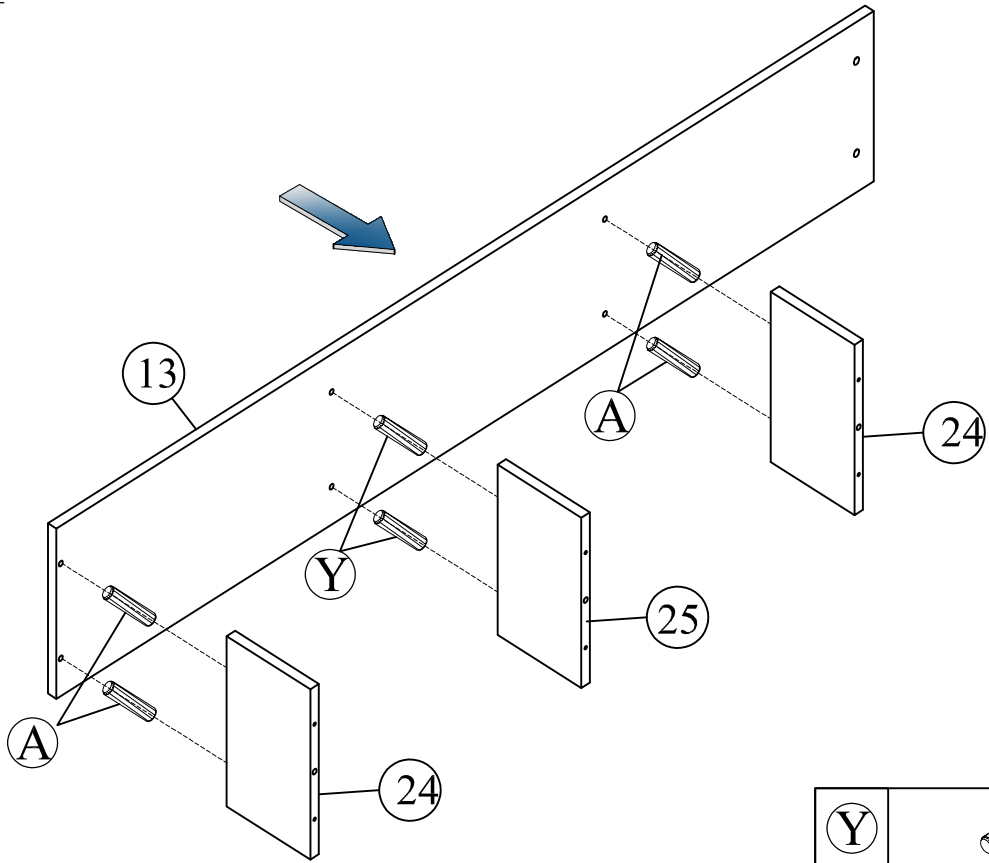


STEP 6:



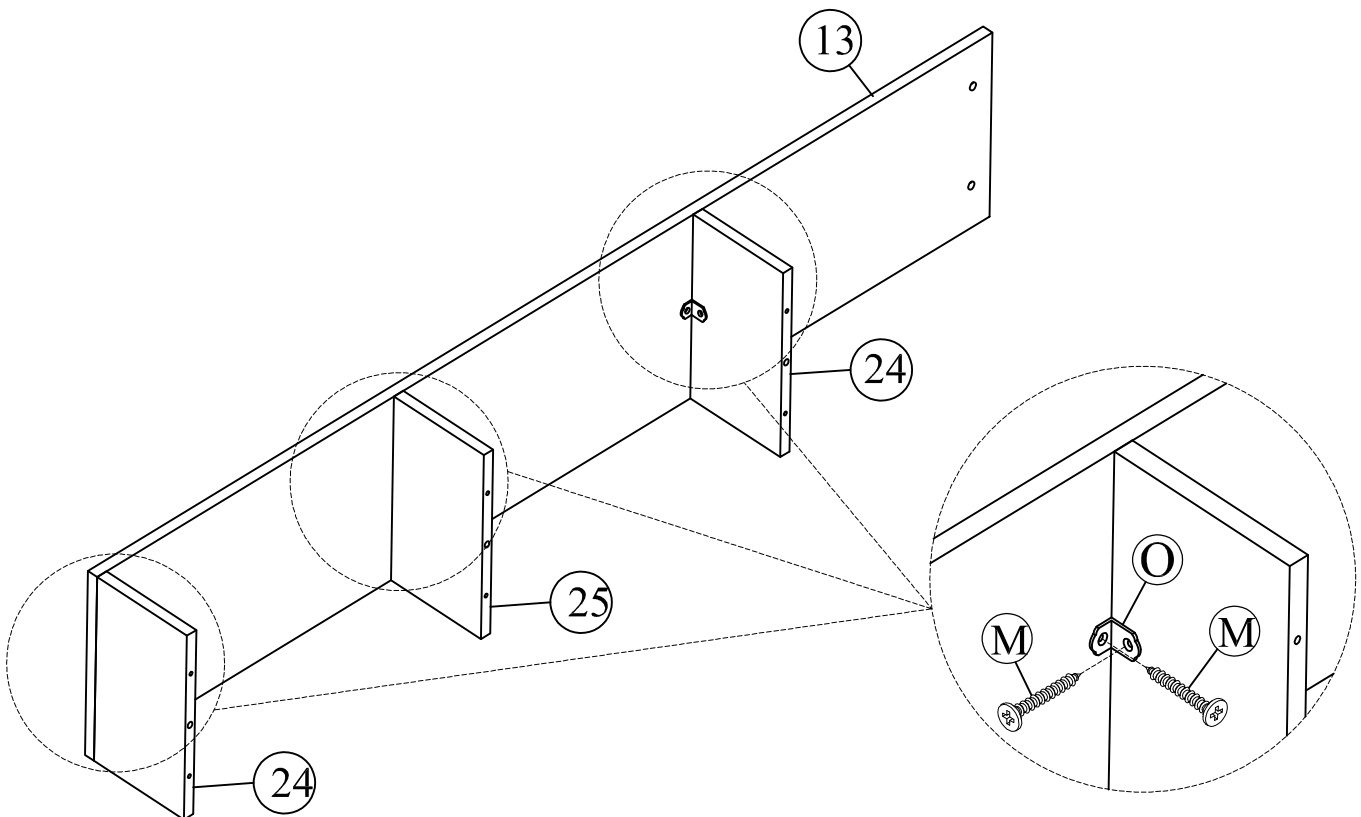
| | | |
|-----|--|------|
| (P) | | 1pc |
| (A) | | 2pcs |
| (C) | | 2pcs |
| (G) | | 2pcs |

STEP 7:

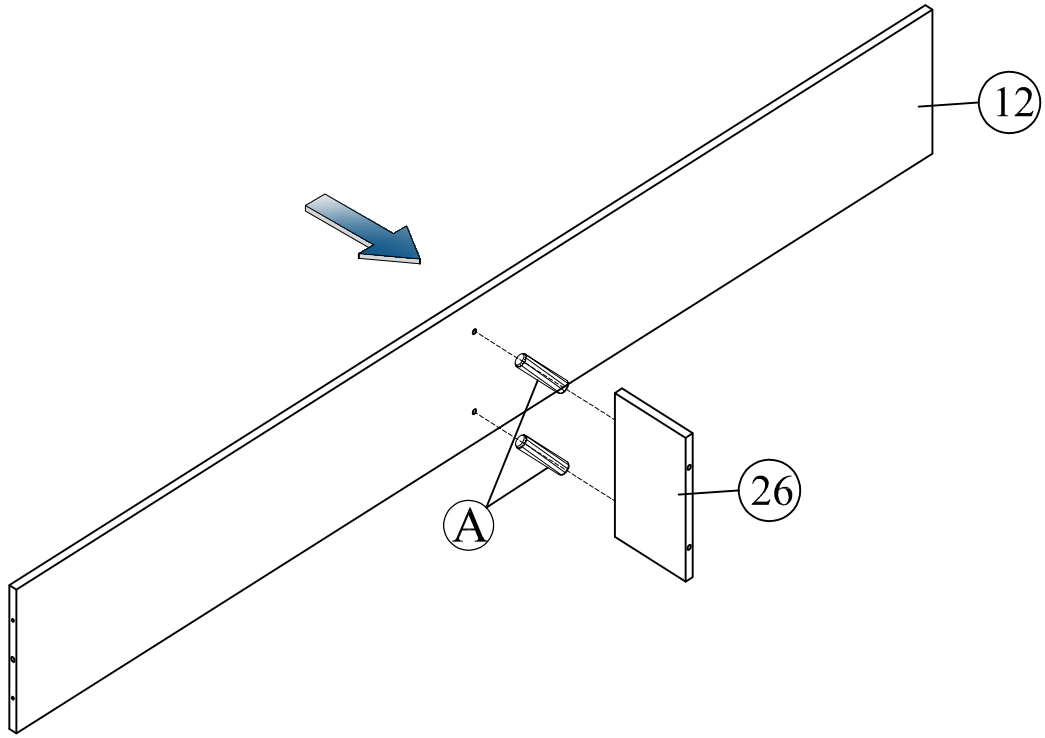


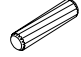
| | | |
|-----|--|------|
| (Y) | | 2pcs |
| (A) | | 4pcs |
| (O) | | 3pcs |
| (M) | | 6pcs |

STEP 8:

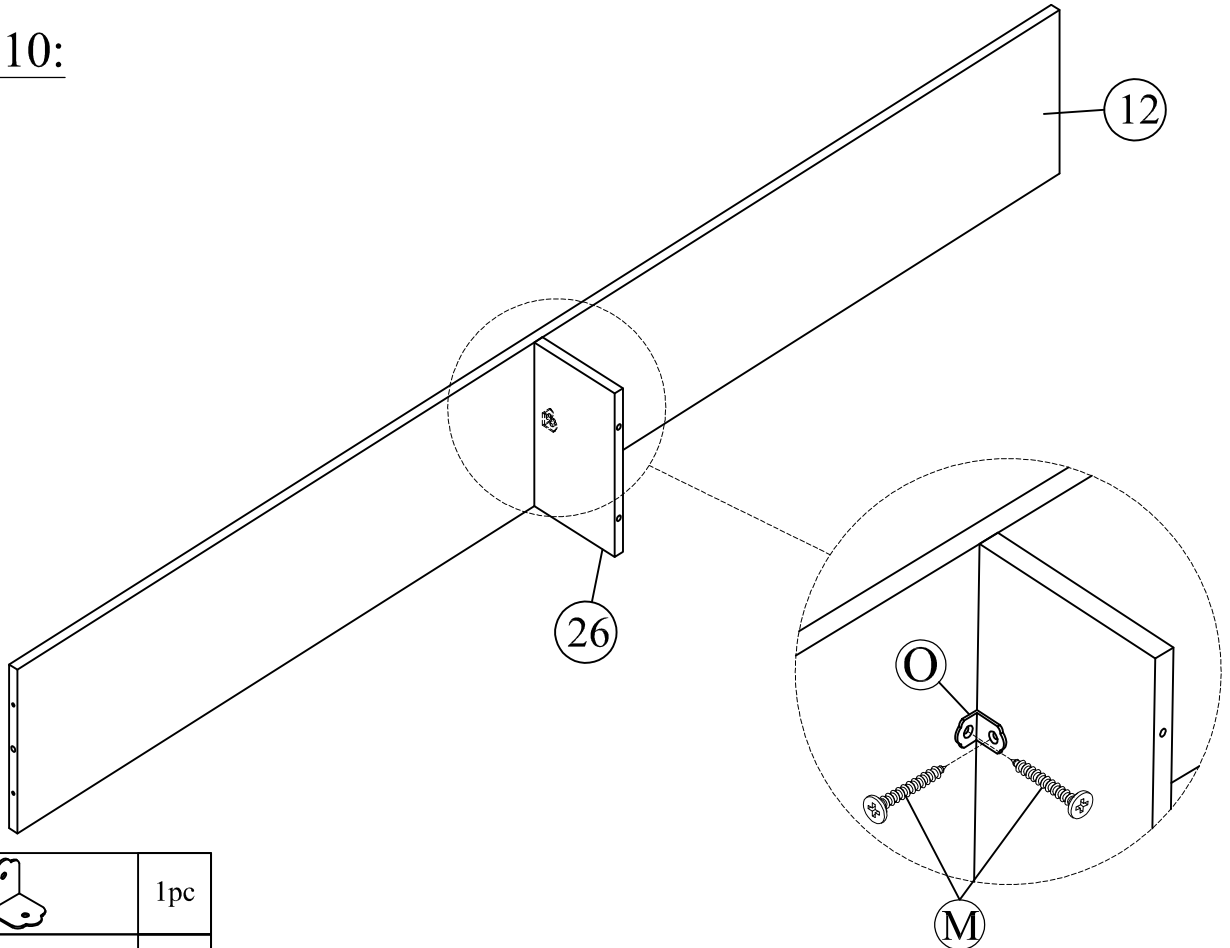




STEP 9:



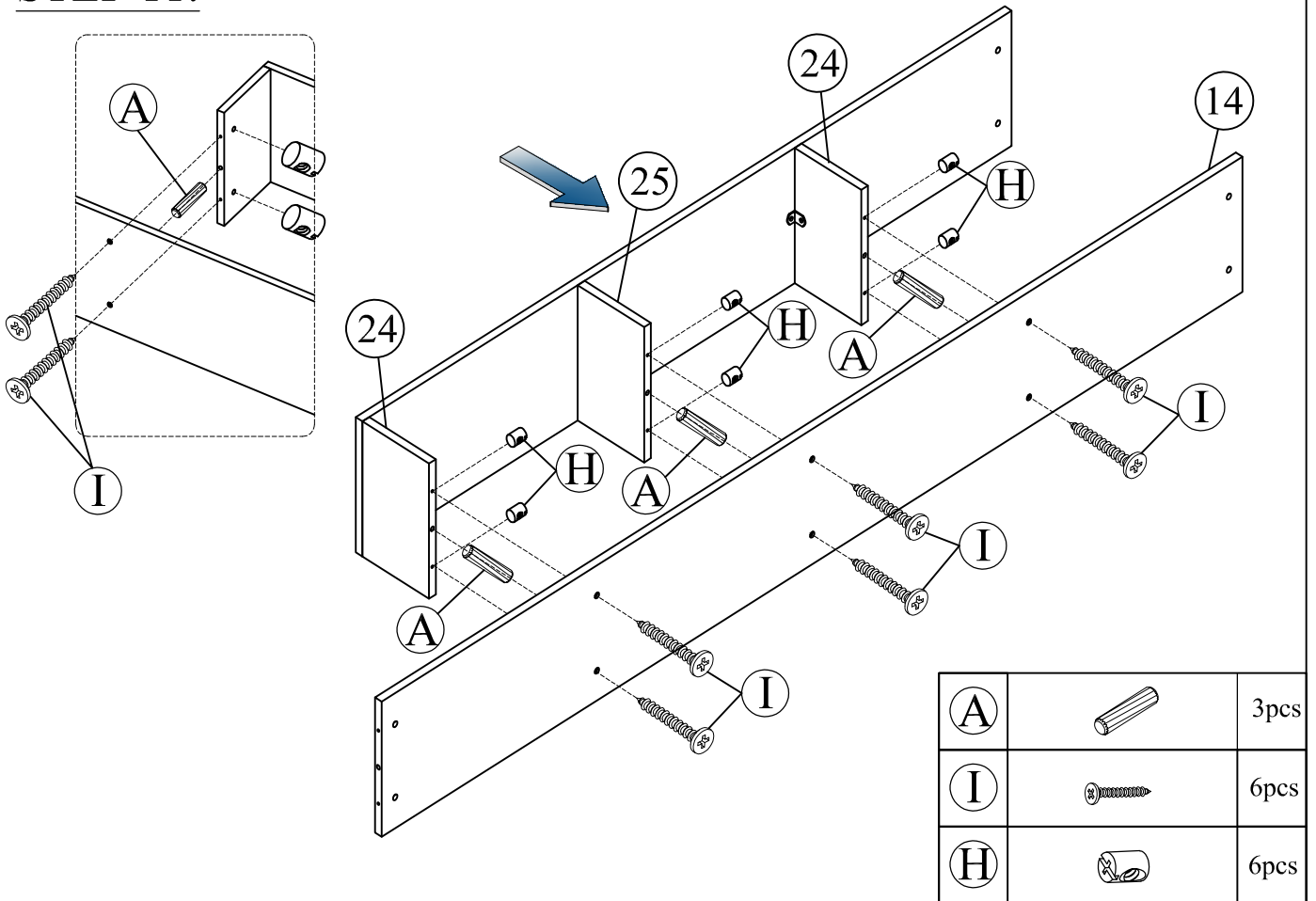
| | | |
|---|---|------|
| A |  | 2pcs |
|---|---|------|

STEP 10:

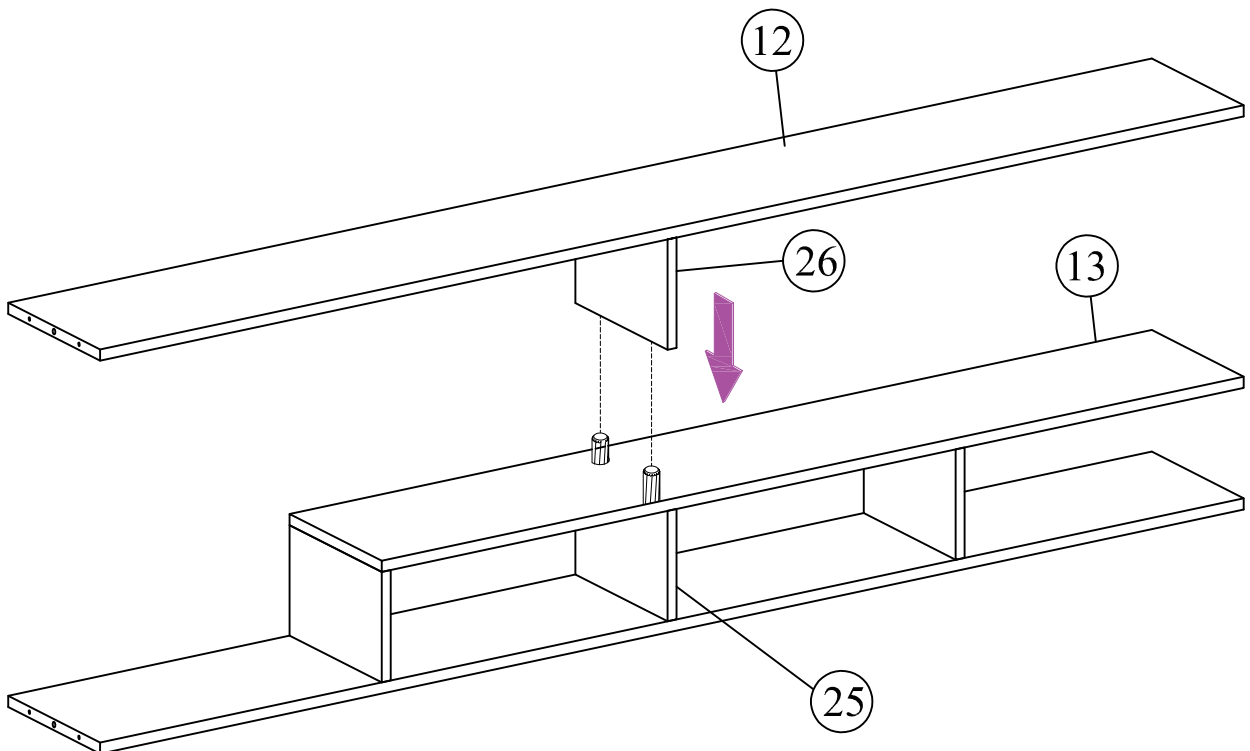


| | | |
|---|---|------|
| O |  | 1pc |
| M |  | 2pcs |

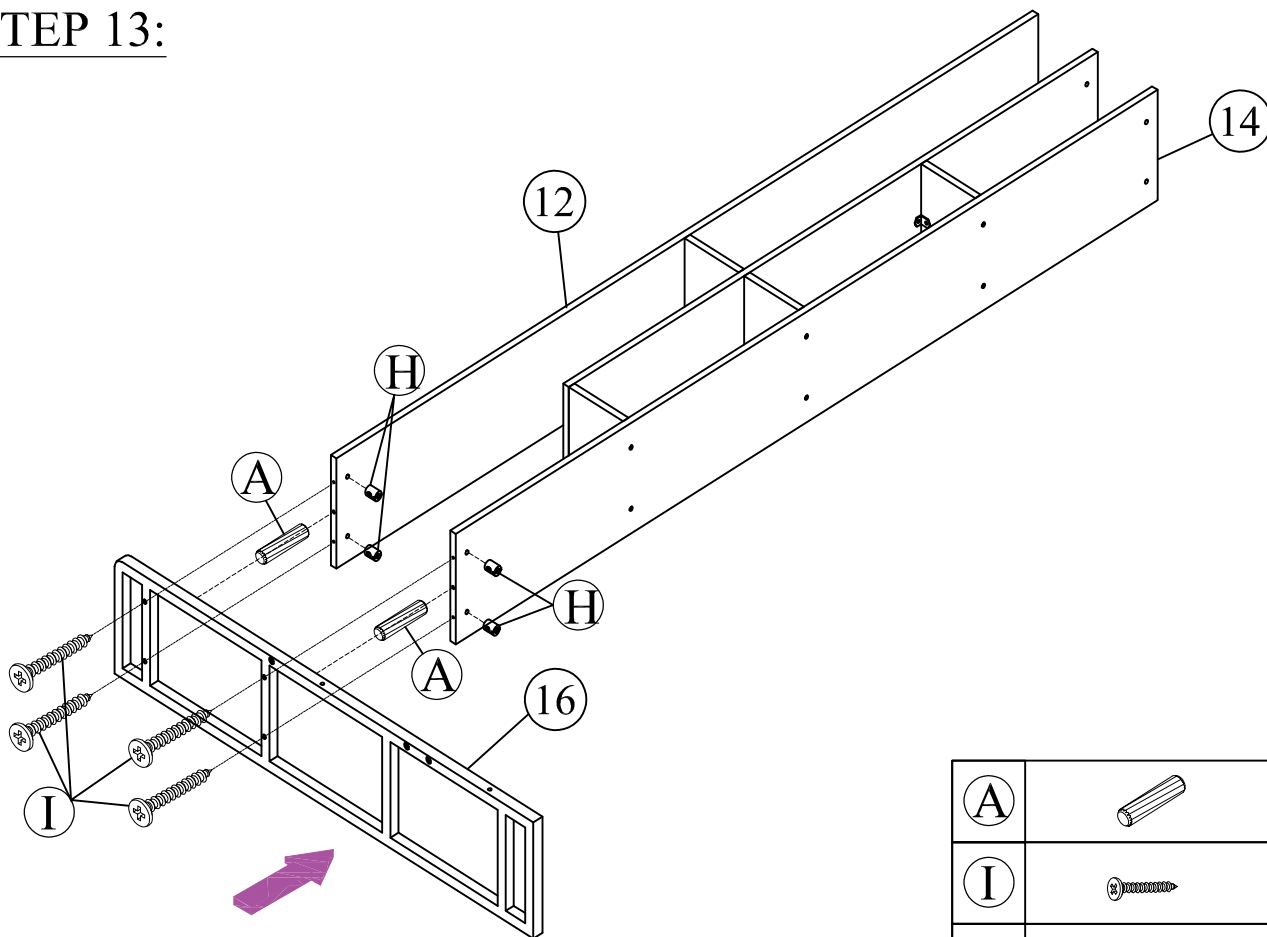
STEP 11:

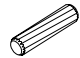




STEP 12:

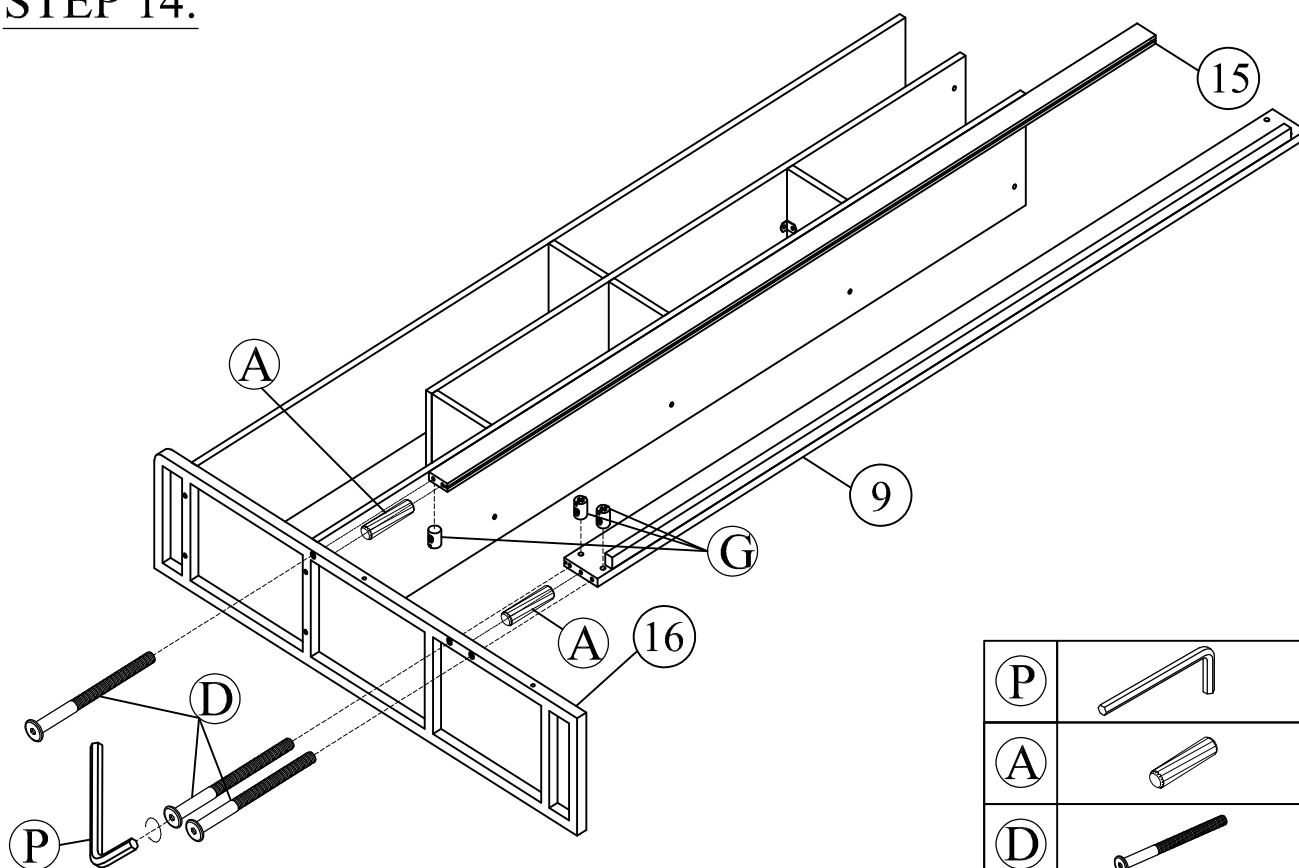



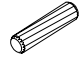


STEP 13:



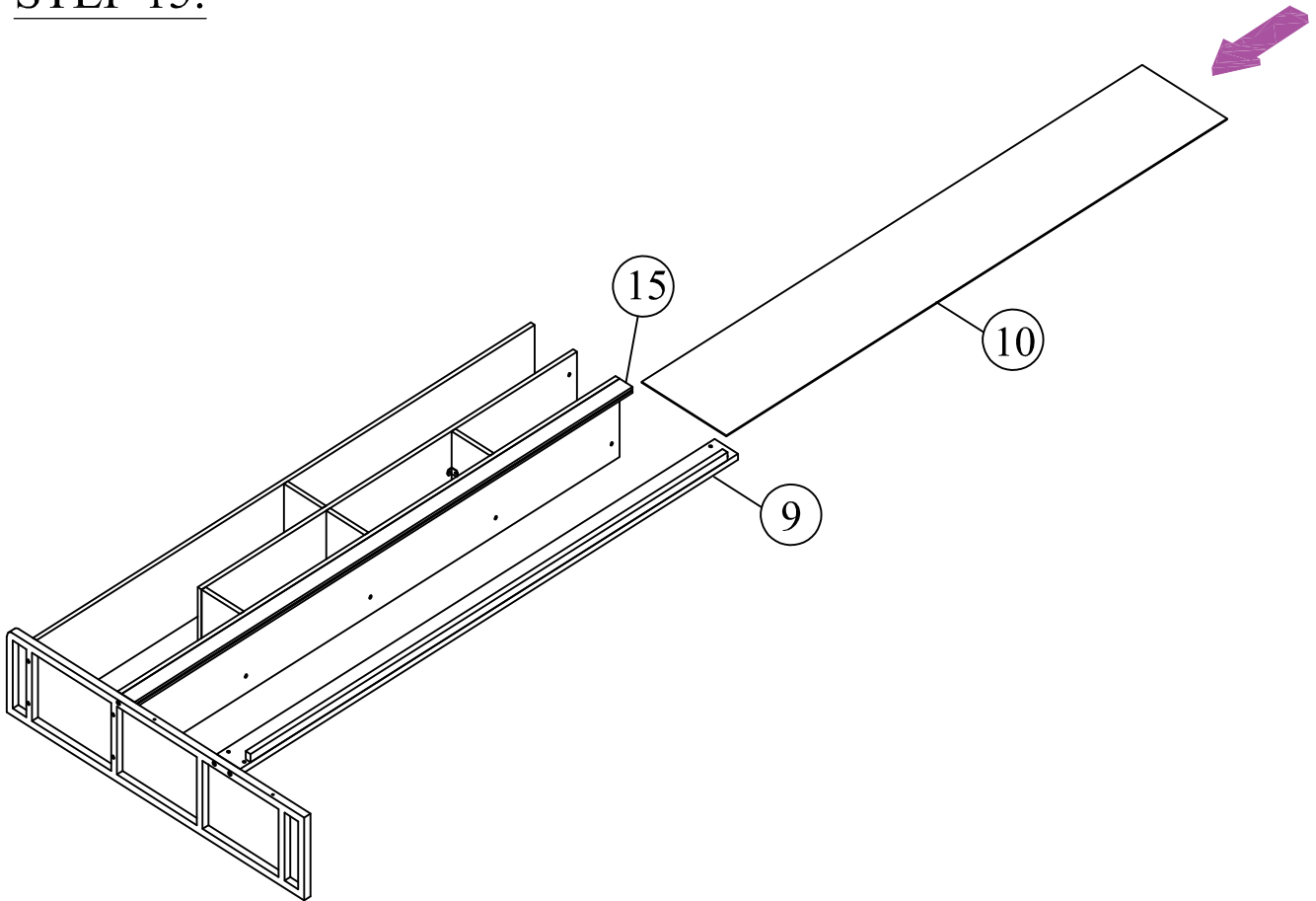
| | | |
|-----|---|------|
| (A) |  | 2pcs |
| (I) |  | 4pcs |
| (H) |  | 4pcs |

STEP 14:

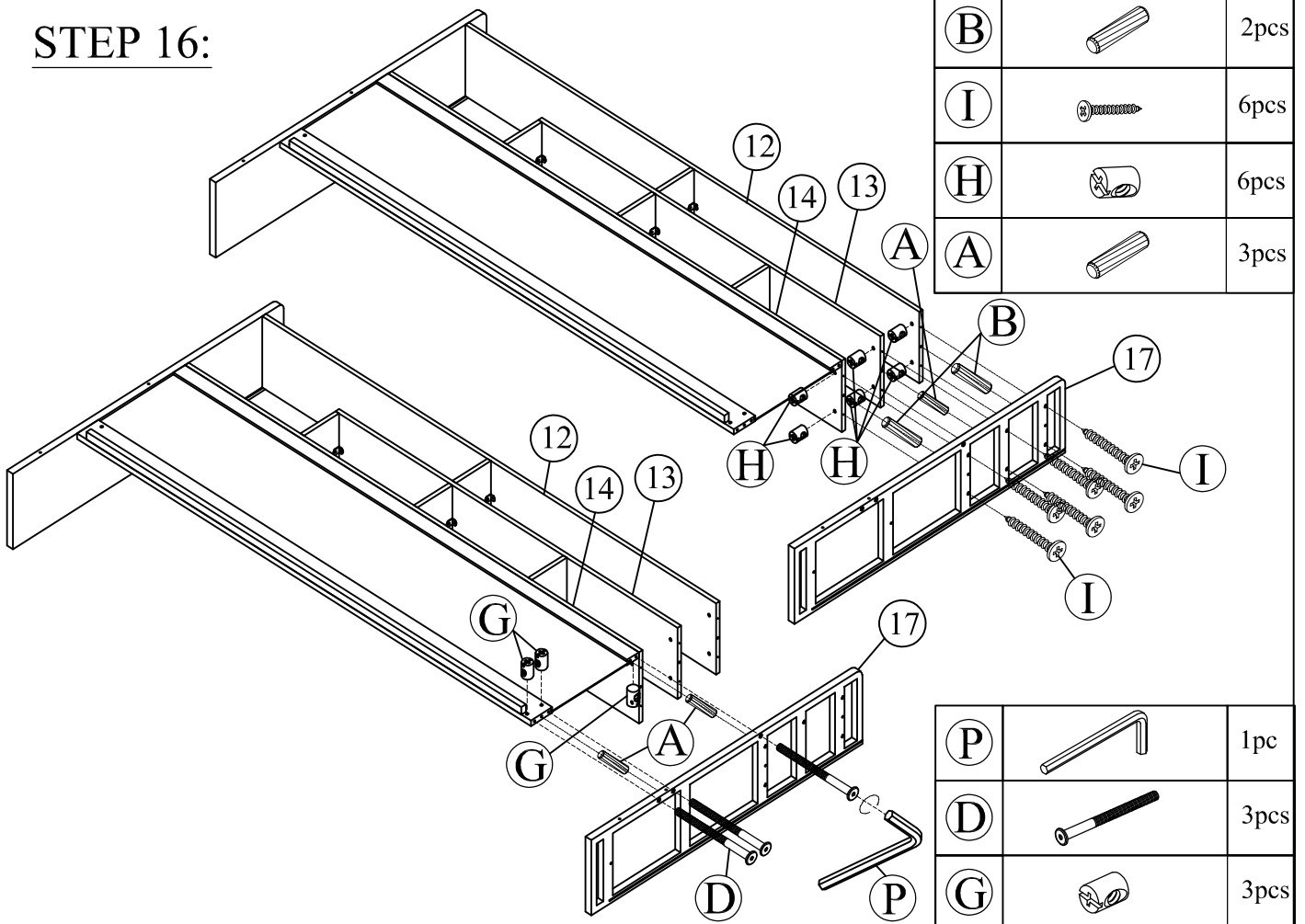


| | | |
|-----|---|------|
| (P) |  | 1pc |
| (A) |  | 2pcs |
| (D) |  | 3pcs |
| (G) |  | 3pcs |

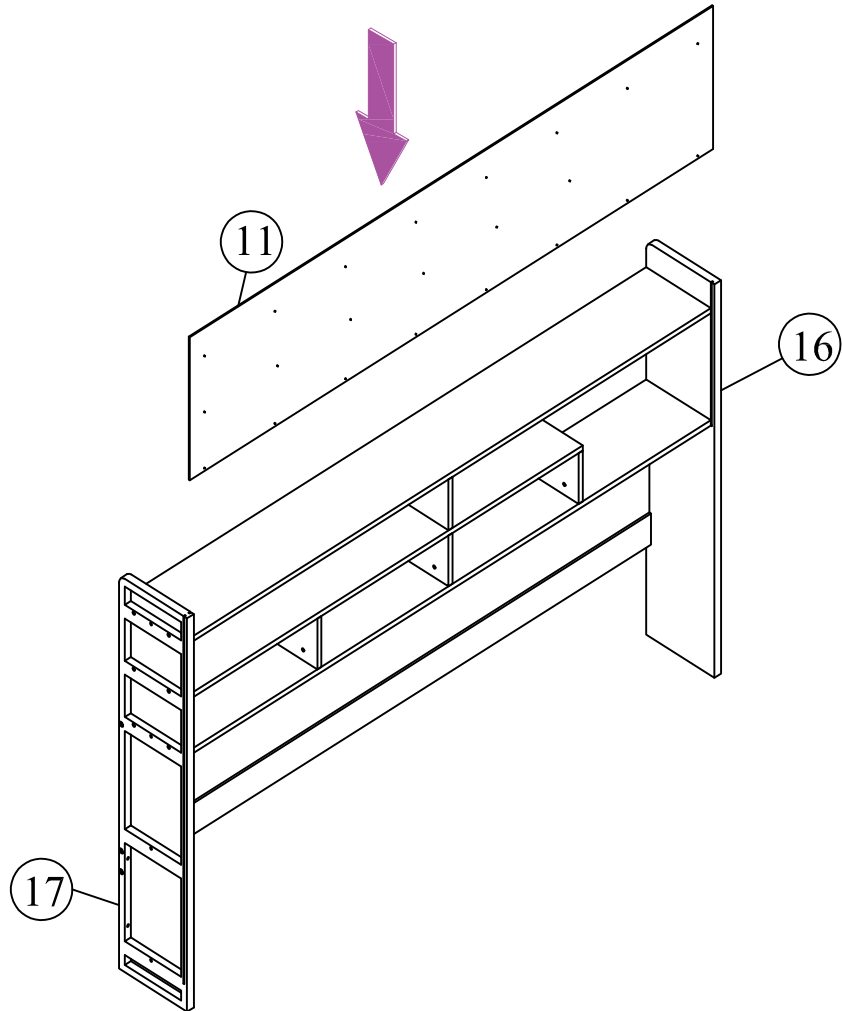
STEP 15:



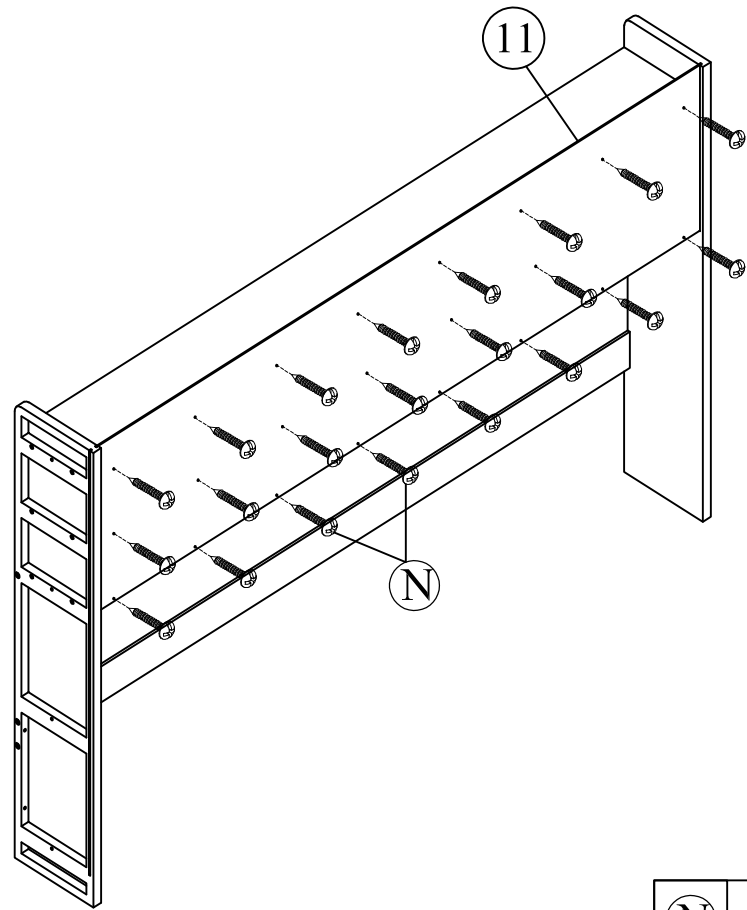
STEP 16:




STEP 17:

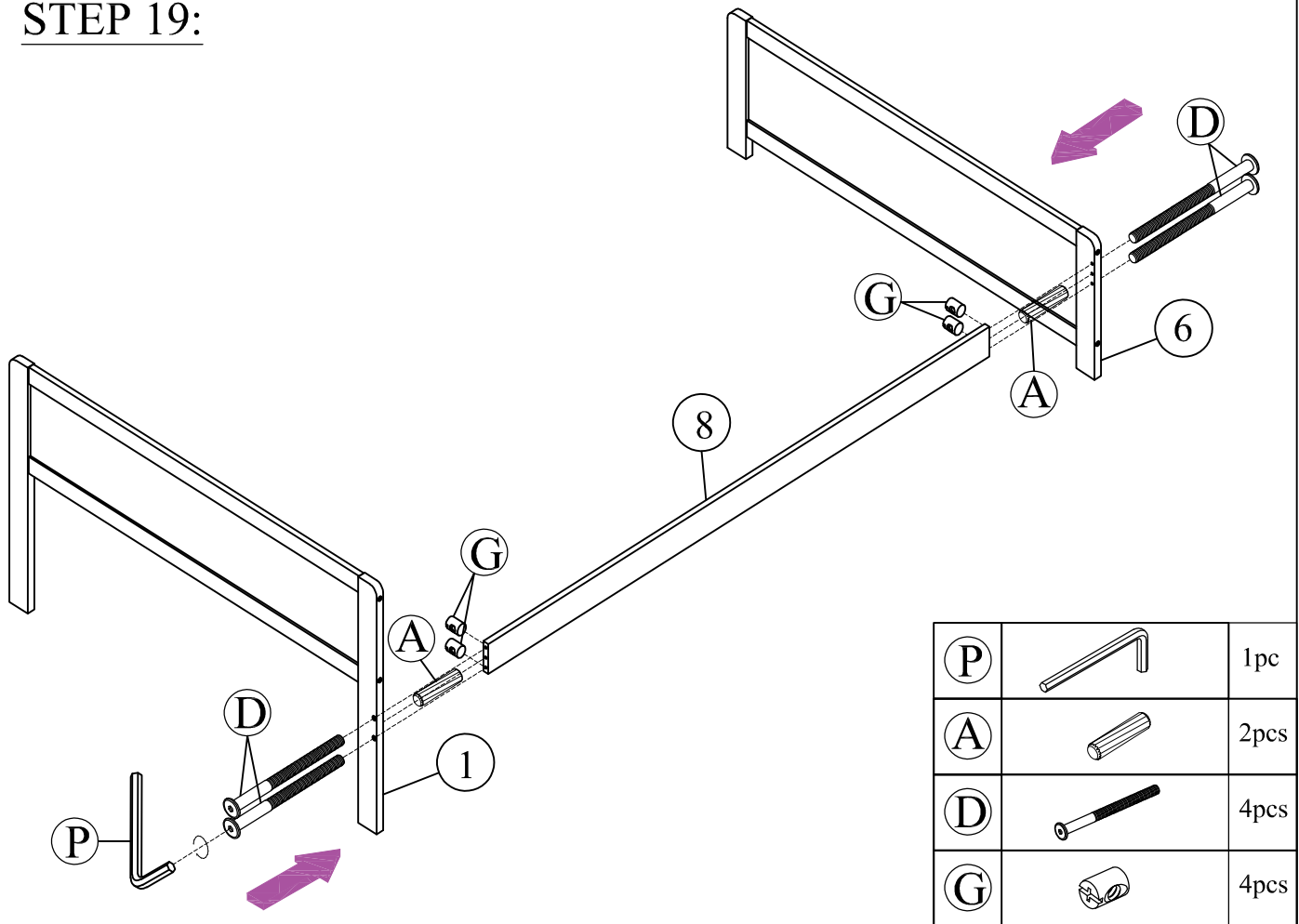


STEP 18:

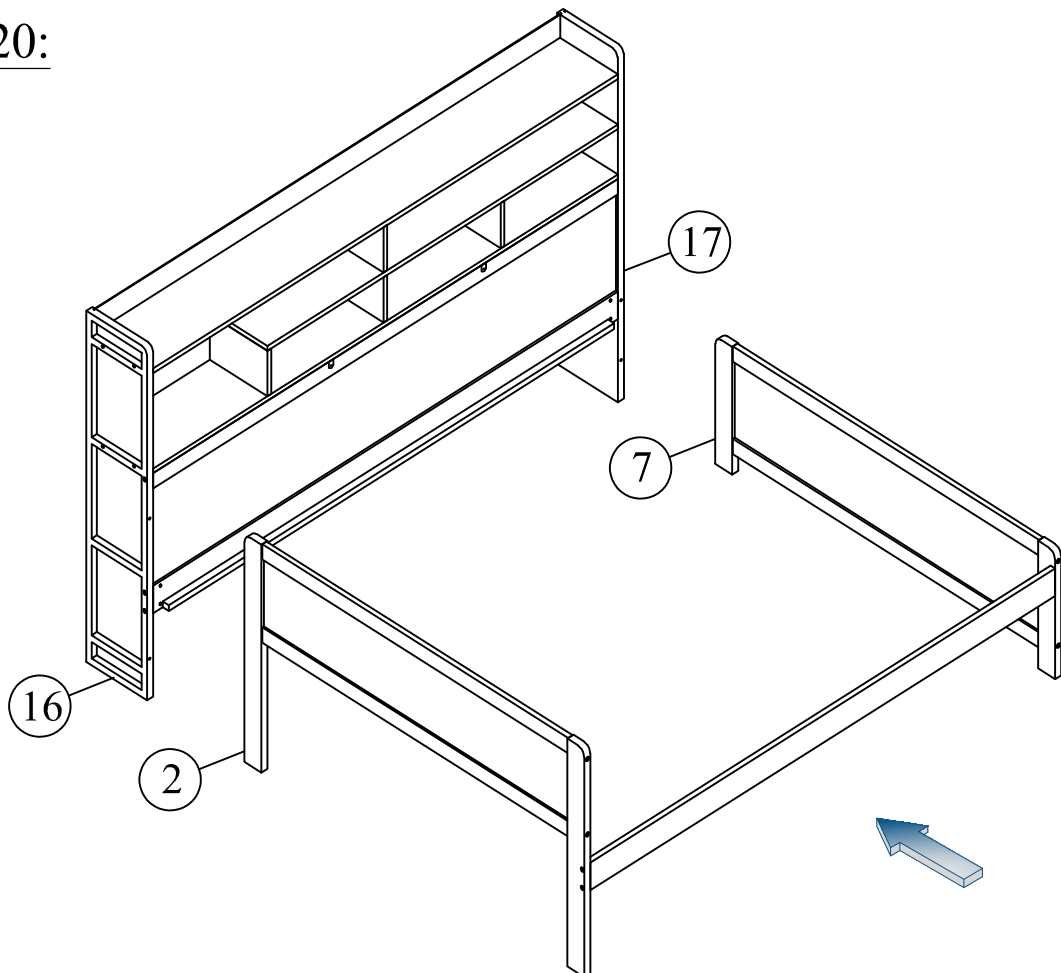


| | | |
|---|---|-------|
| N |  | 22pcs |
|---|---|-------|

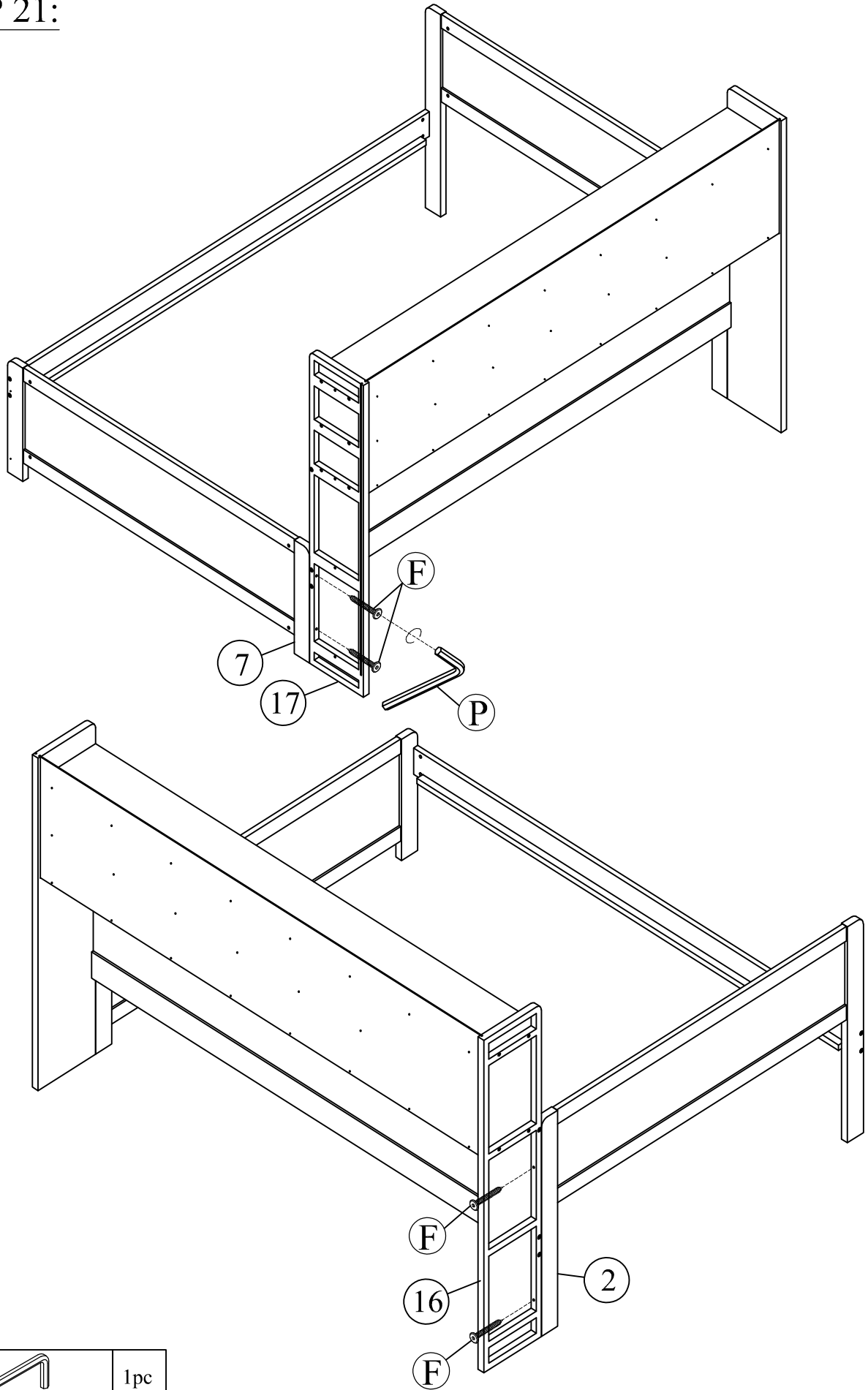
STEP 19:

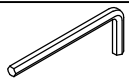
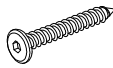


STEP 20:


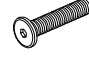



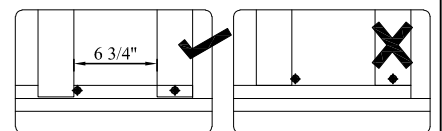
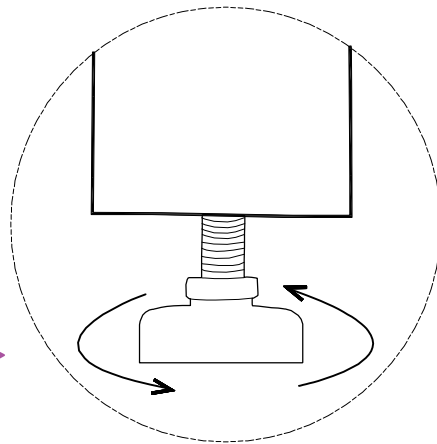
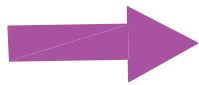
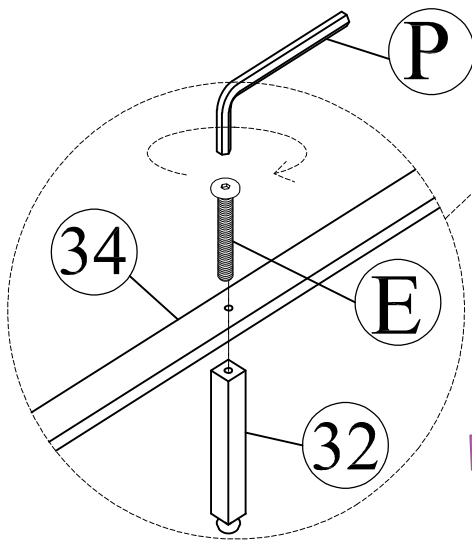
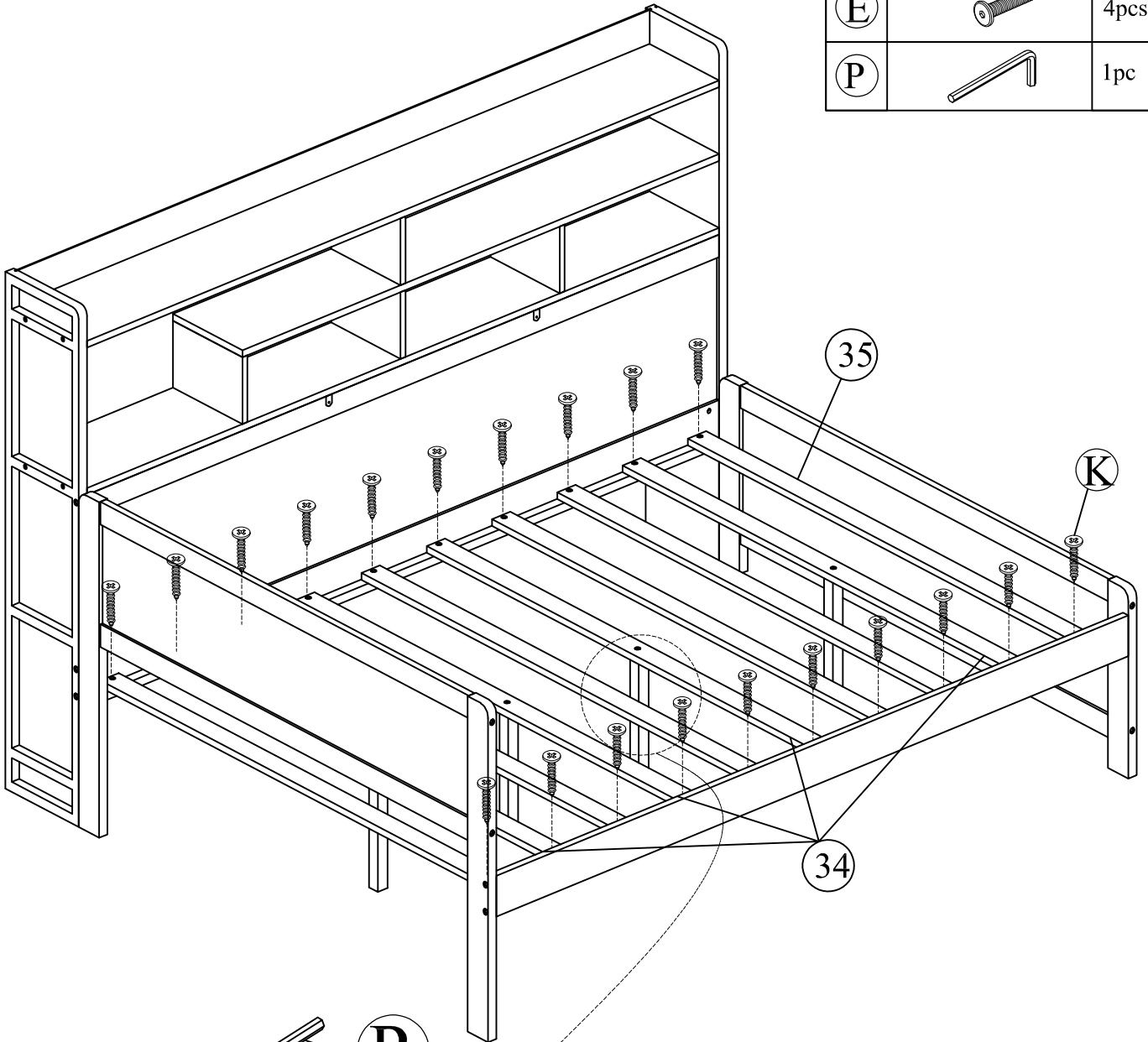
STEP 21:



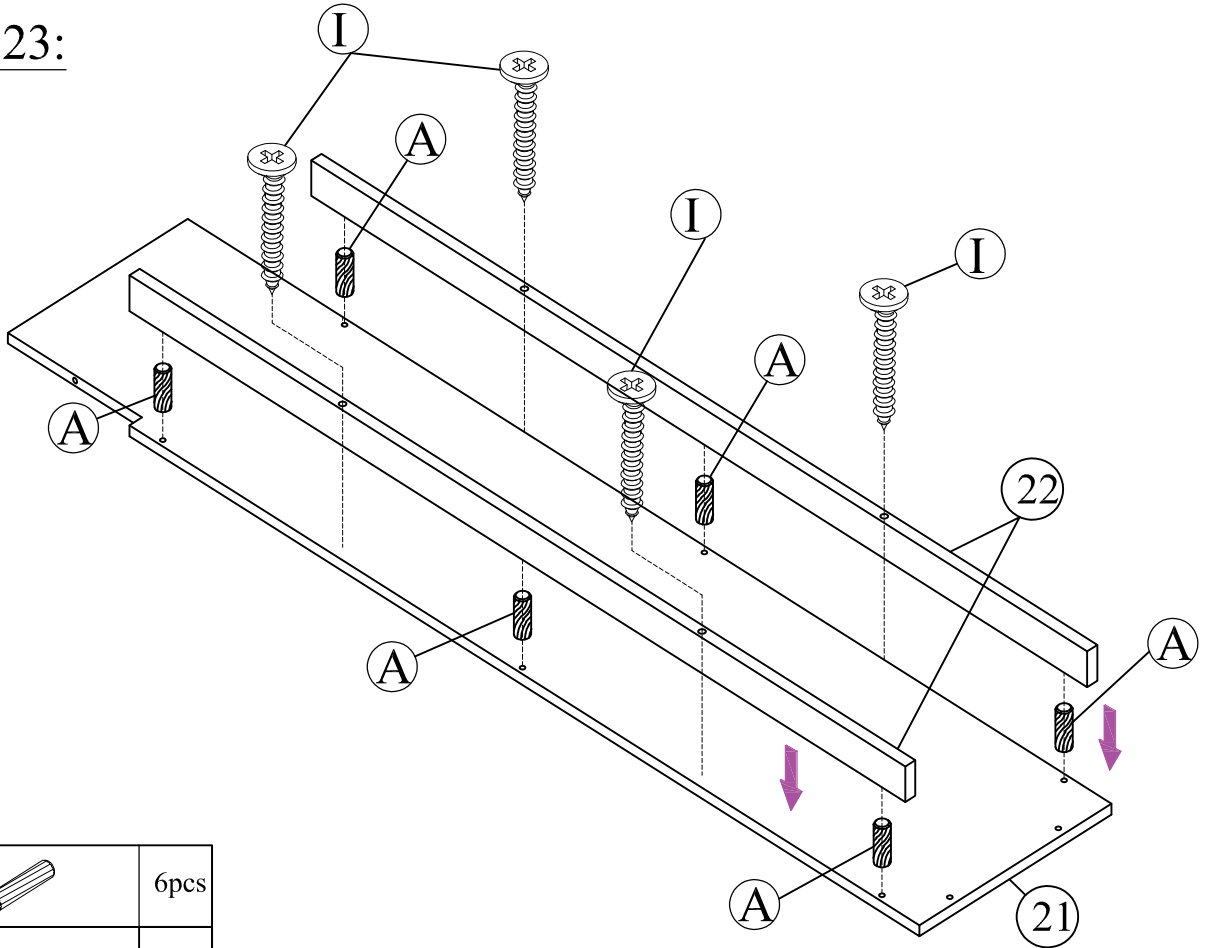
| | | |
|------------|---|------|
| (P) |  | 1pc |
| (F) |  | 4pcs |

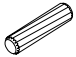
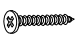
STEP 22:

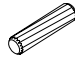
| | | |
|-----|---|-------|
| (K) |  | 20pcs |
| (E) |  | 4pcs |
| (P) |  | 1pc |



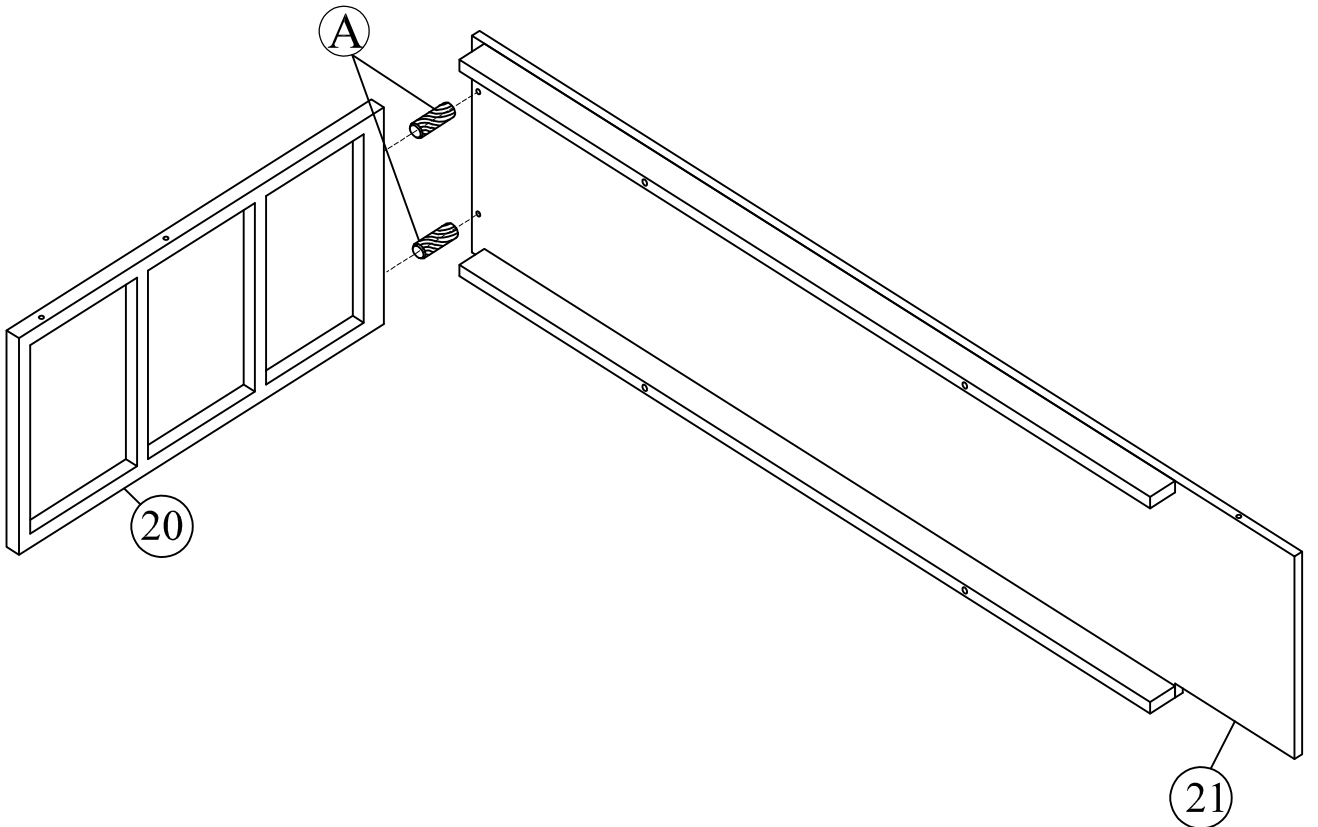
STEP 23:





| | | |
|---|---|------|
| A |  | 6pcs |
| I |  | 4pcs |

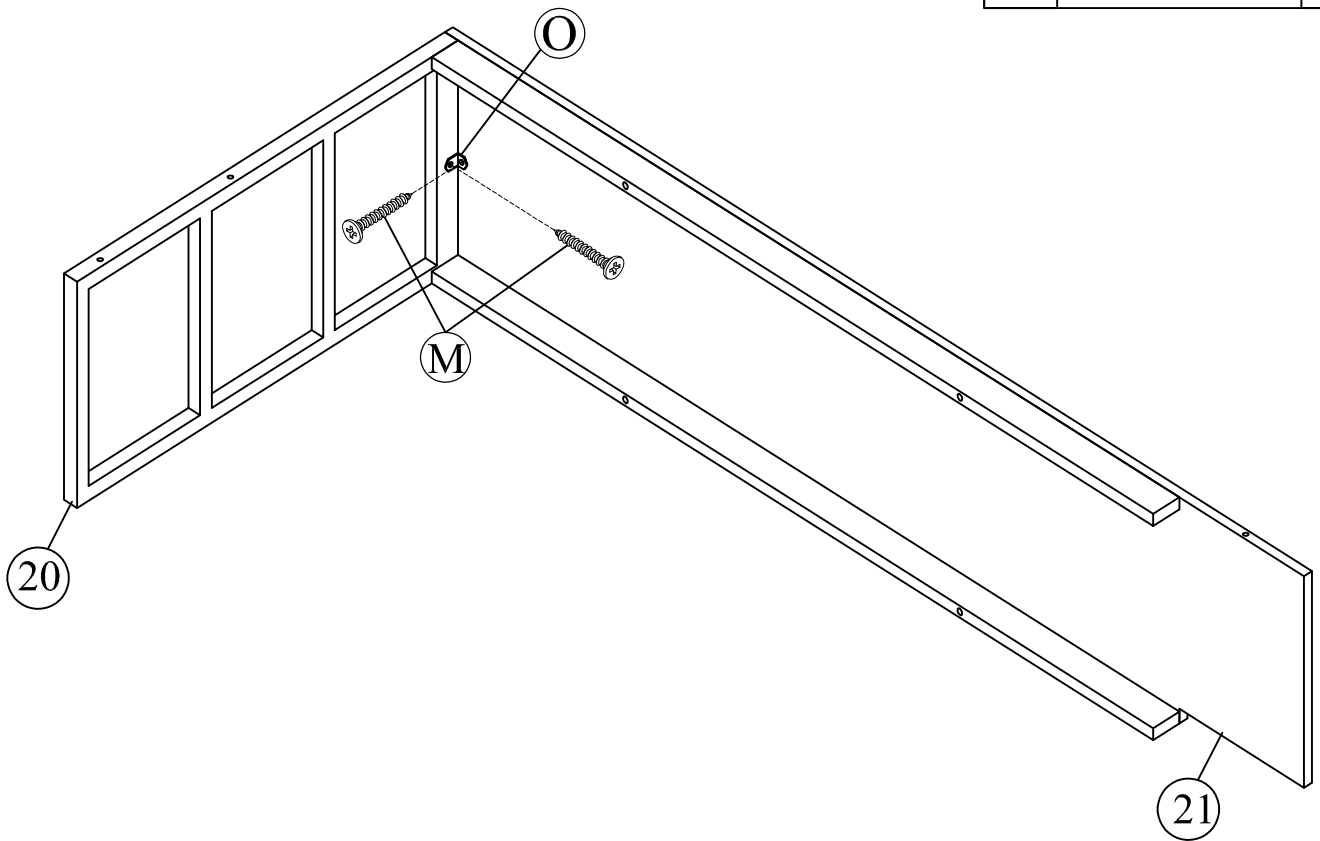
| | | |
|---|---|------|
| A |  | 2pcs |
|---|---|------|

STEP 24:

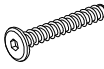


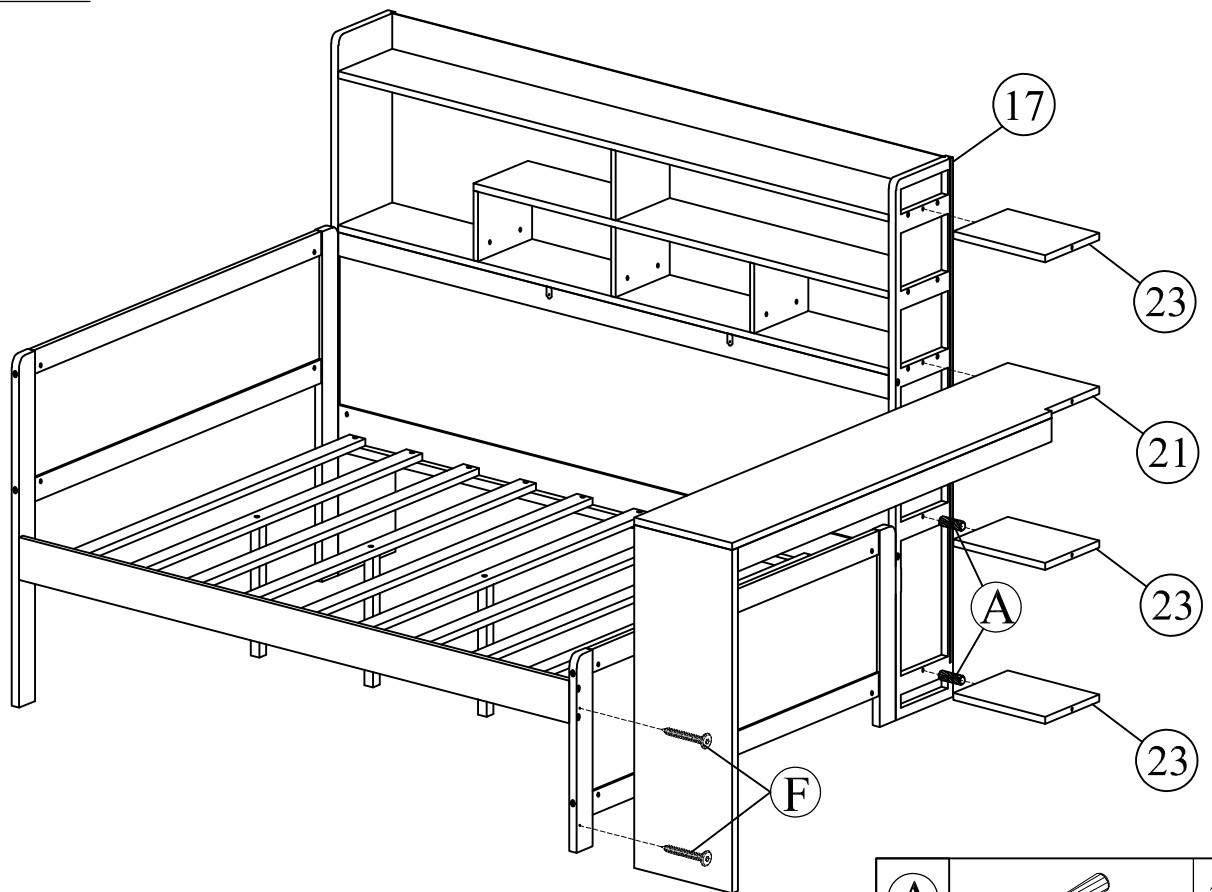
STEP 25:

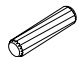
| | | |
|---|---|------|
| O |  | 1pc |
| M |  | 2pcs |



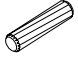
STEP 26:

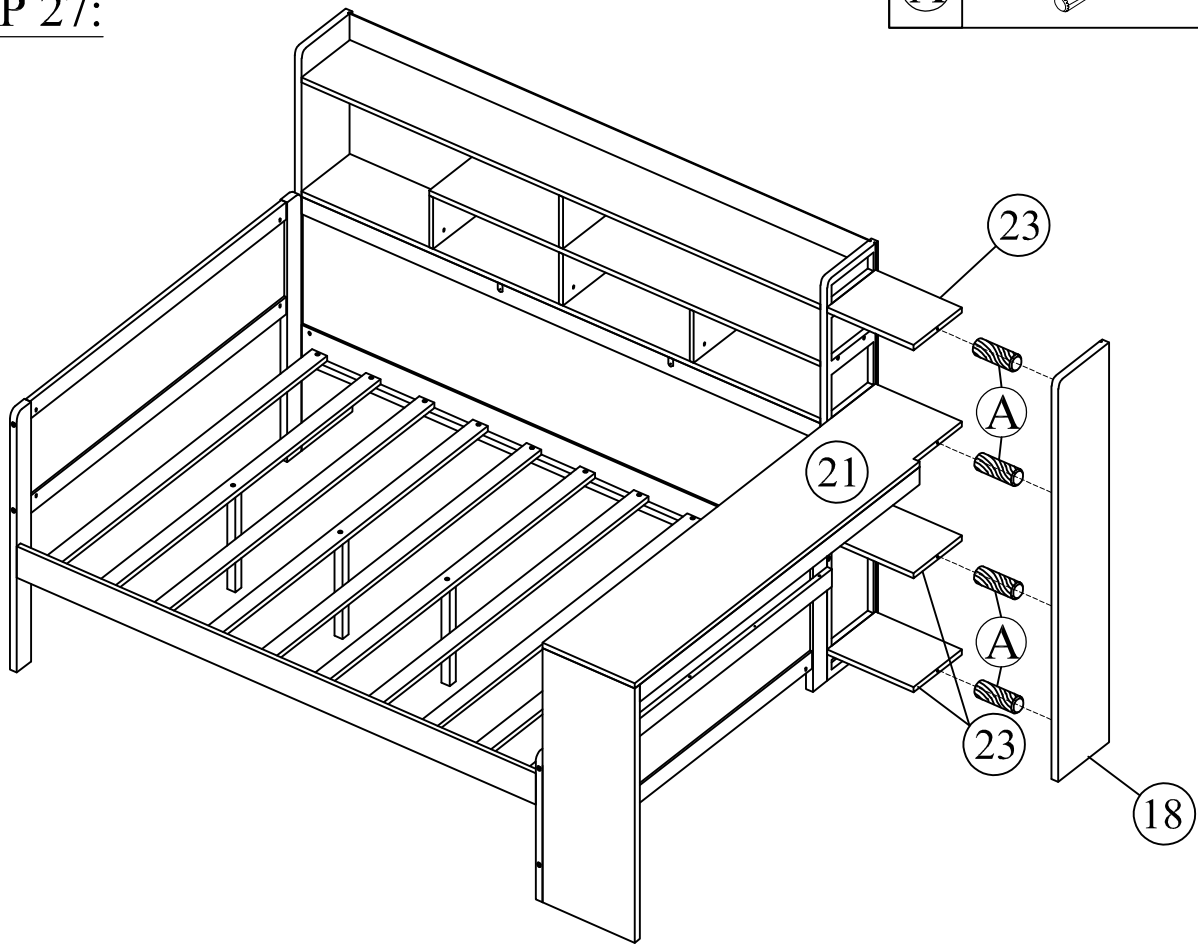
| | | |
|---|---|------|
| F |  | 2pcs |
|---|---|------|



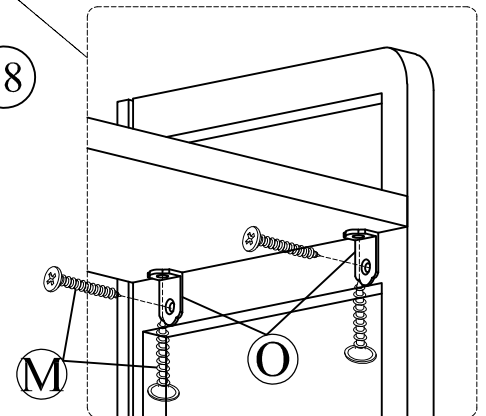
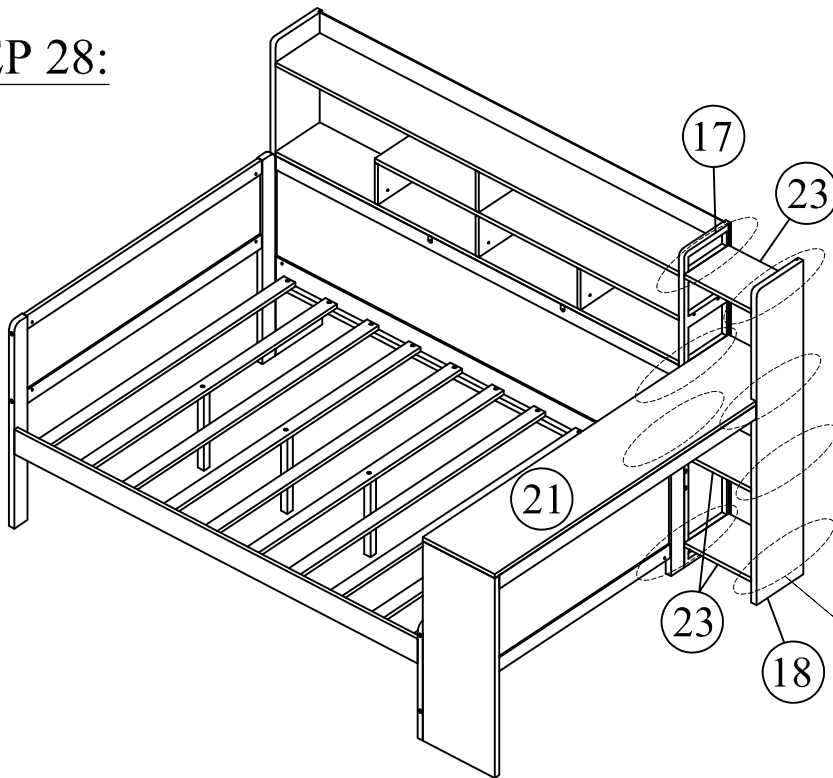
| | | |
|---|---|------|
| A |  | 2pcs |
|---|---|------|



STEP 27:

| | | |
|---|---|------|
| A |  | 4pcs |
|---|---|------|

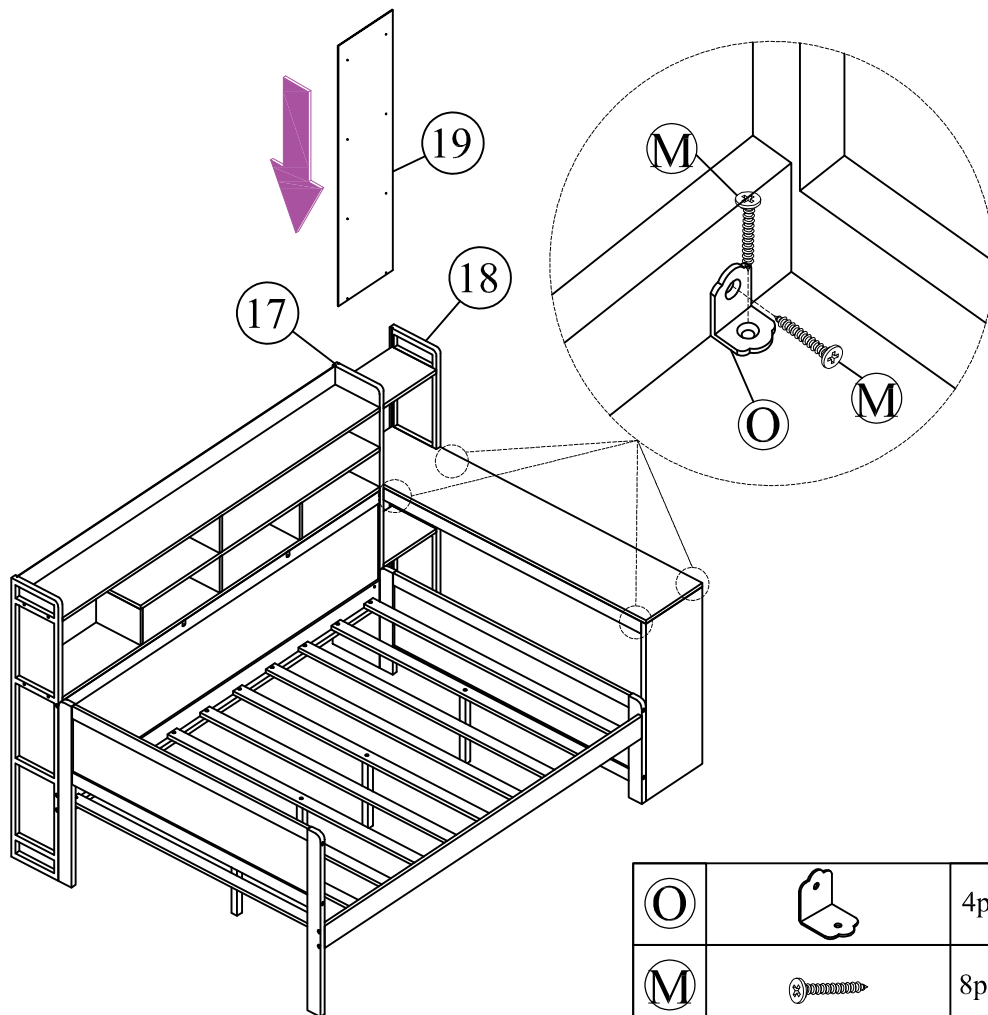




STEP 28:



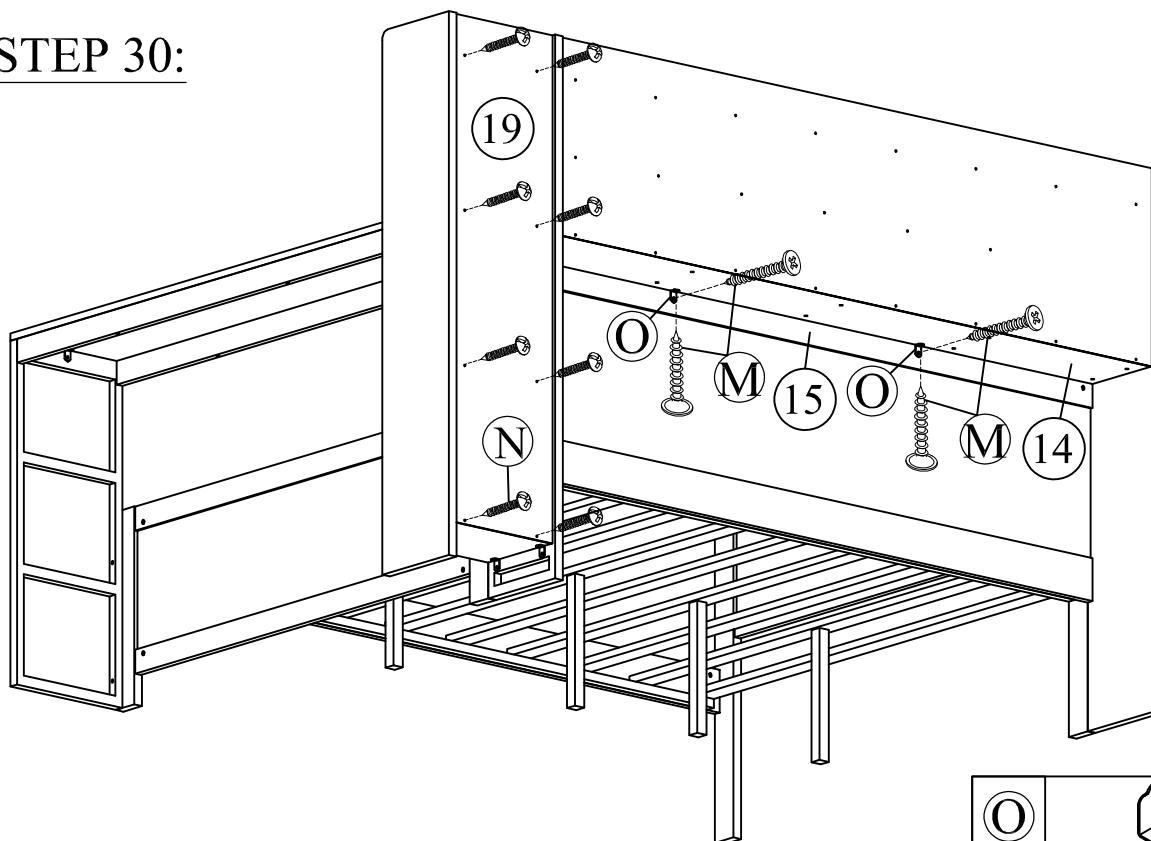
| | | |
|---|---|-------|
| O |  | 16pcs |
| M |  | 32pcs |




STEP 29:



| | | |
|---|---|------|
| ⓪ |  | 4pcs |
| Ⓜ |  | 8pcs |

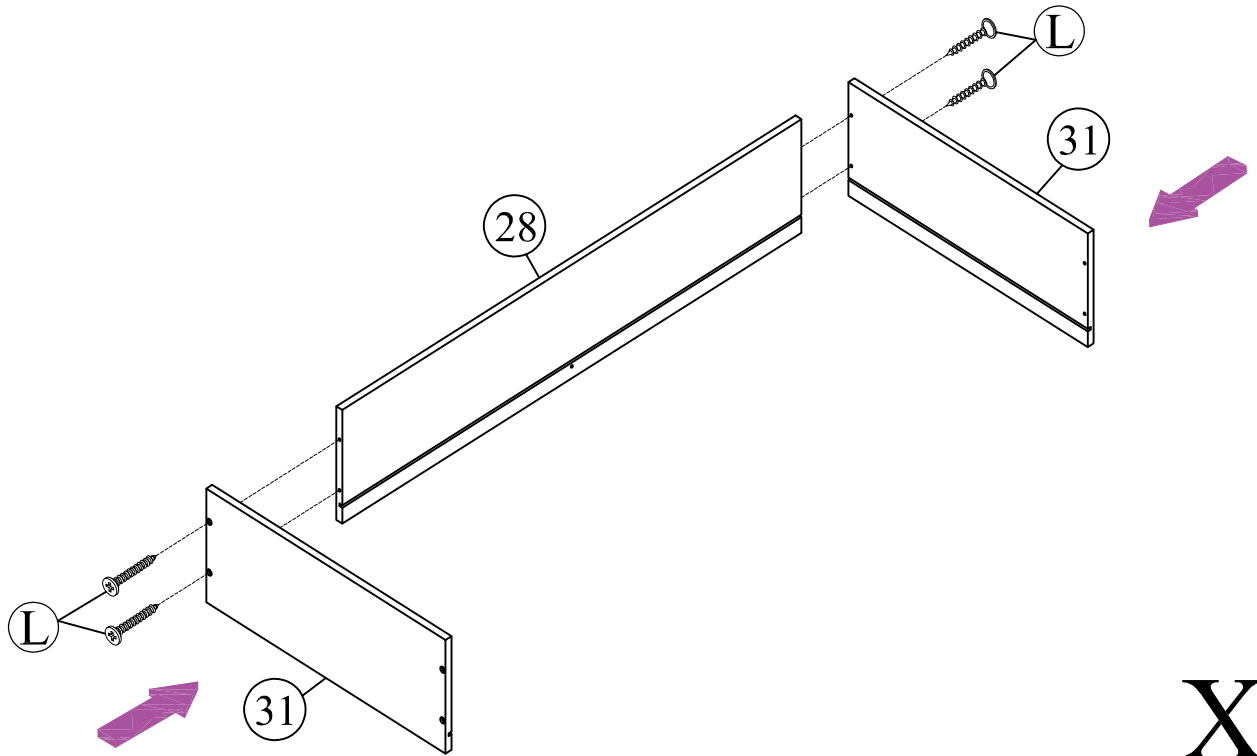
STEP 30:



| | | |
|---|---|------|
| ⓪ |  | 2pcs |
| Ⓜ |  | 4pcs |
| Ⓝ |  | 8pcs |

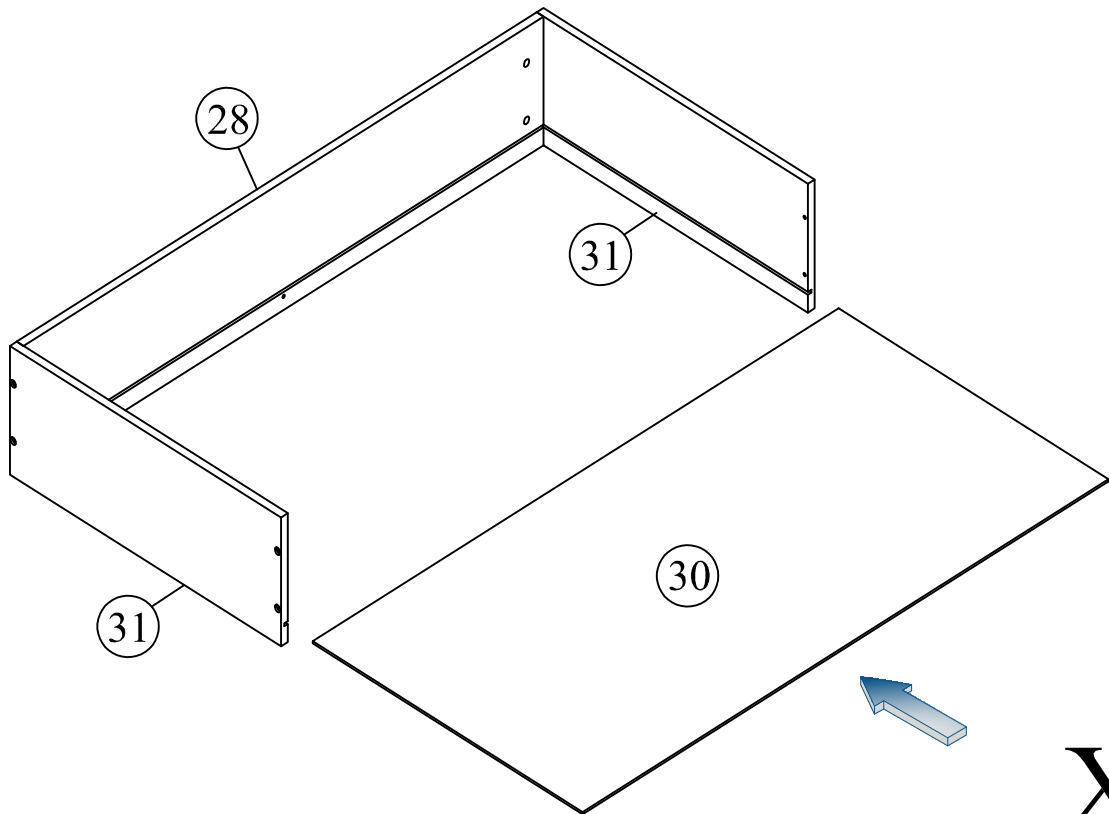
STEP 31:

| | | |
|-----|---|------|
| (L) |  | 8pcs |
|-----|---|------|




X2

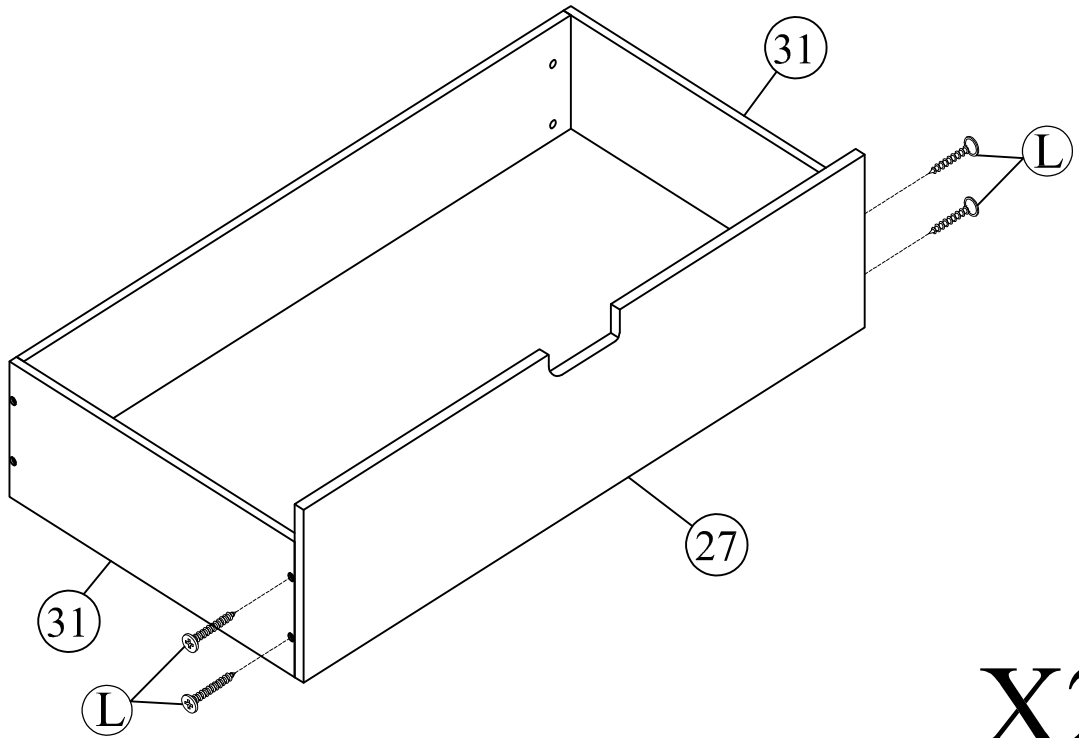
STEP 32:



X2

STEP 33:

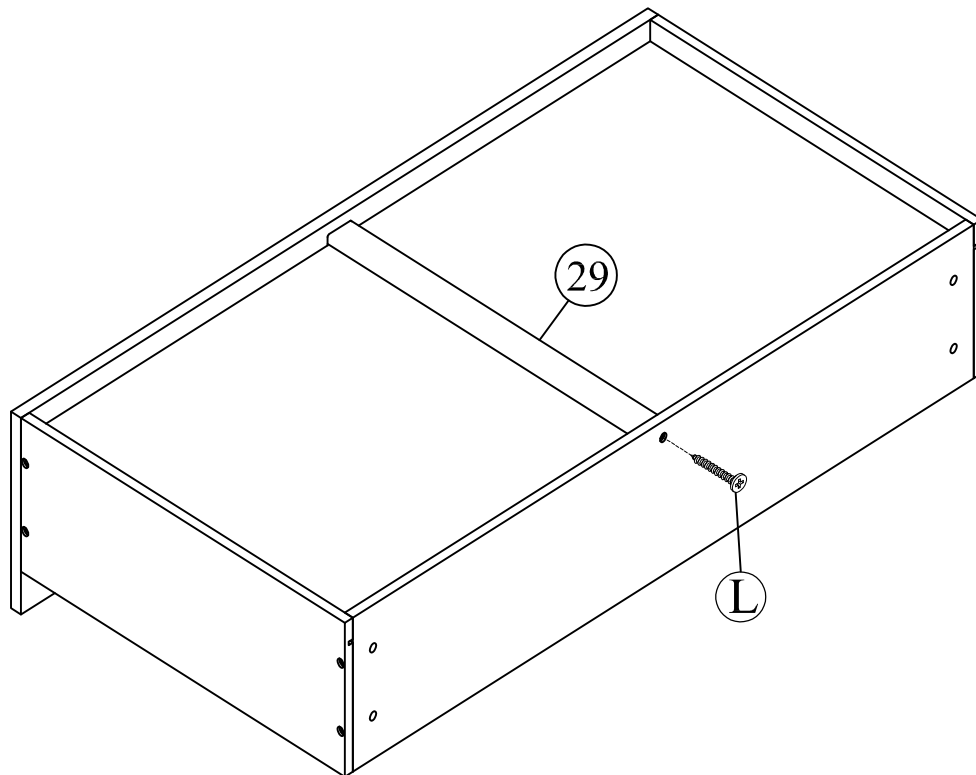
| | | |
|----------|---|------|
| L |  | 8pcs |
|----------|---|------|



X2


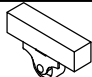
STEP 34:

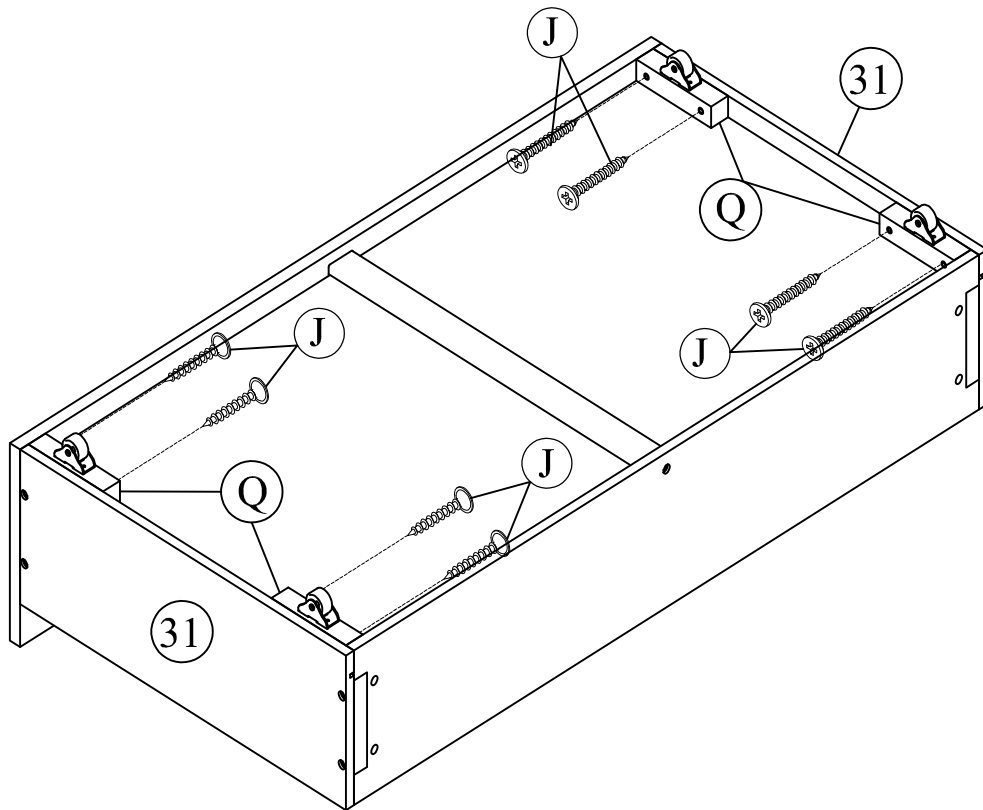
| | | |
|----------|---|------|
| L |  | 2pcs |
|----------|---|------|



X2

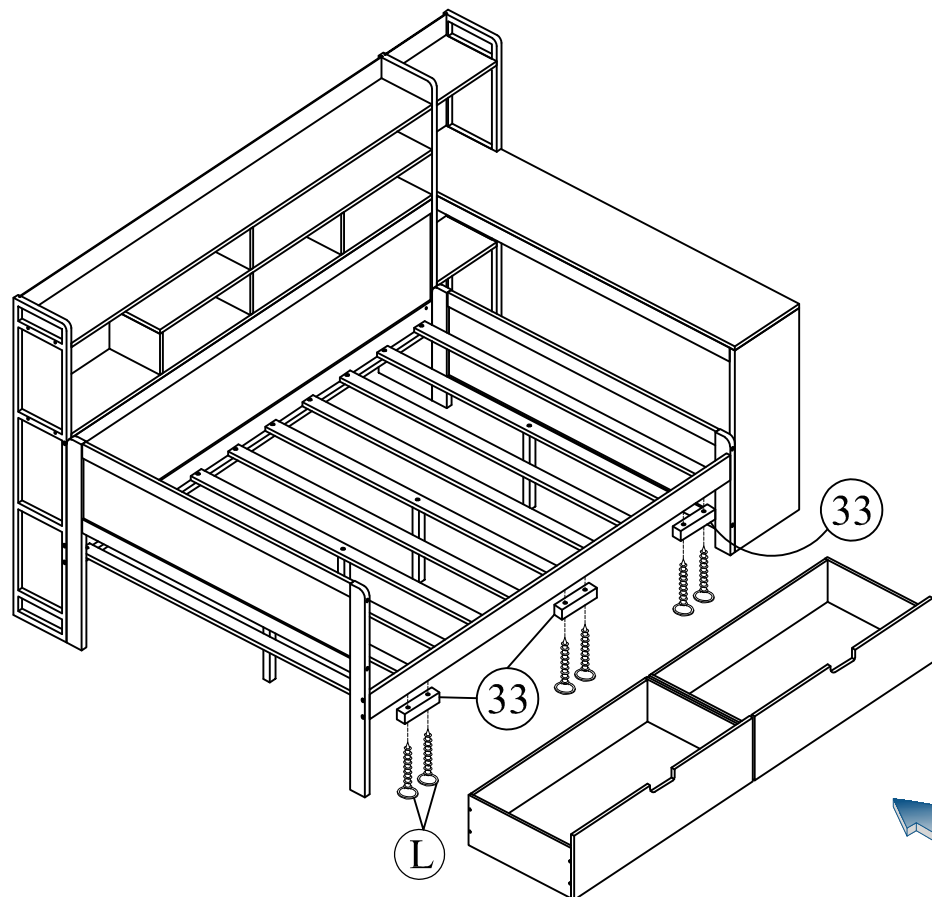
STEP 35:

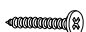
| | | |
|---|---|-------|
| J |  | 16pcs |
| Q |  | 8pcs |



X2

STEP 36:



| | | |
|---|---|------|
| L |  | 6pcs |
|---|---|------|

FINAL:

