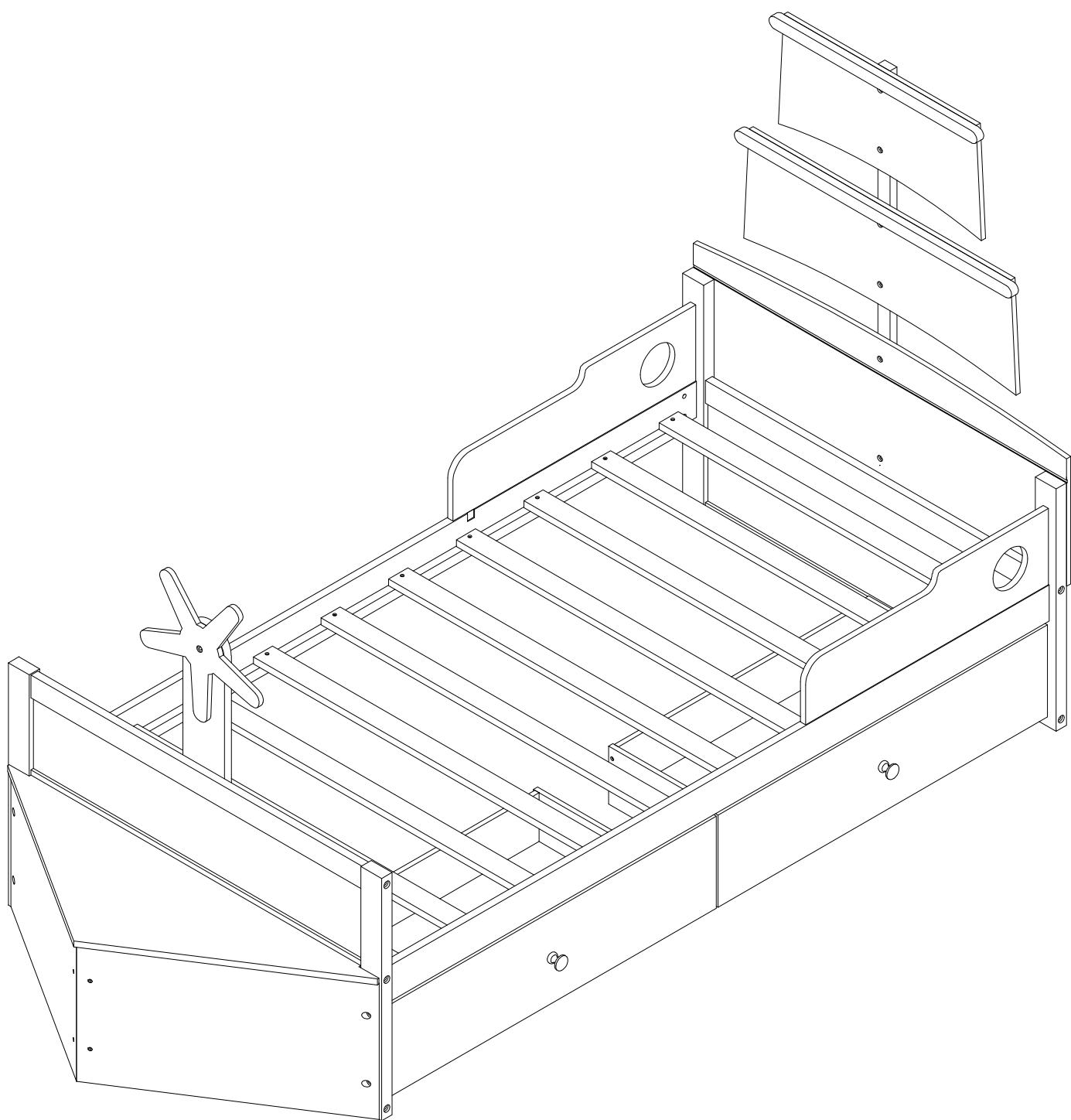


ASSEMBLY INSTRUCTION

SKU CODE: (WF318067)



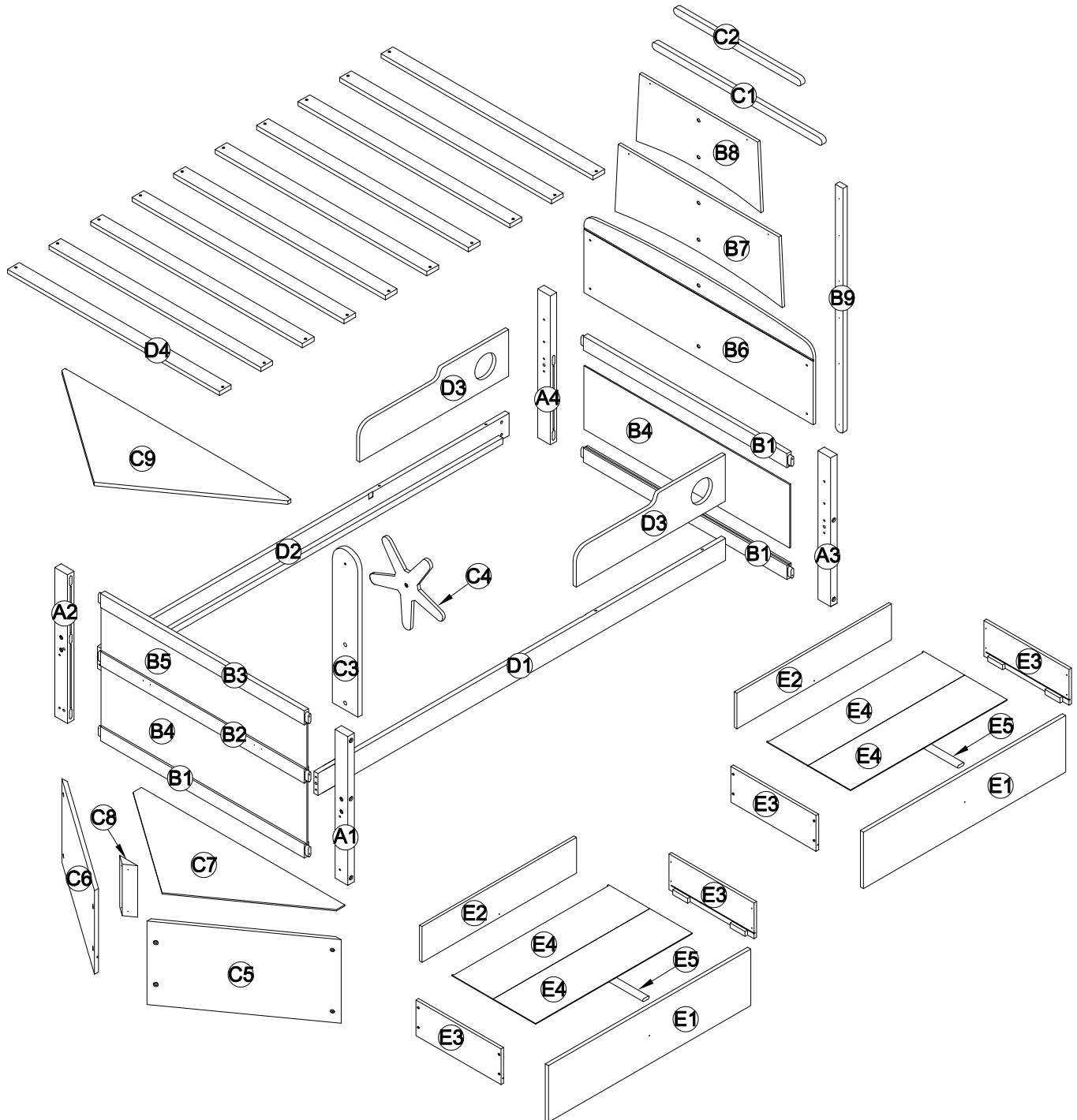
SAFETY WARNINGS AND GENERAL NOTES:

1. Do not use substitute parts. Contact the manufacturer or dealer for replacement parts.
2. Keep these instructions for future reference.
3. We recommend assembling your bed on the shipping carton to protect your floor or carpet.
4. Be certain all staples are out of the box before beginning assembly on the shipping carton.



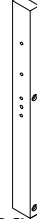


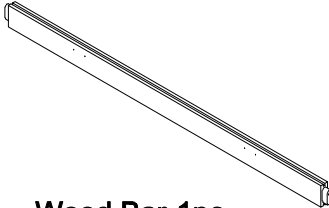


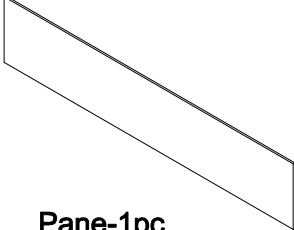
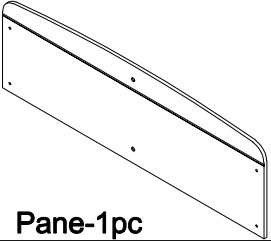
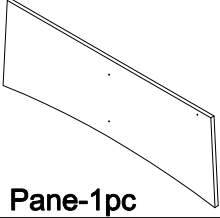
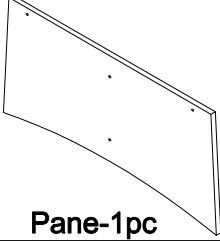

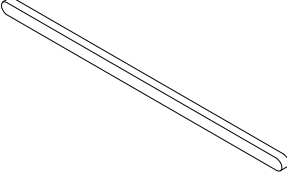

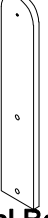
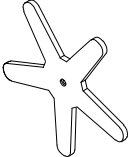
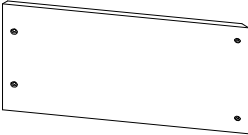

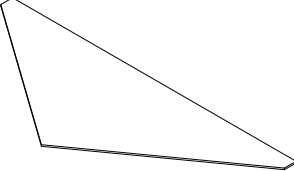

5.Replacement Parts:

Replacement Parts, including additional guardrails, may be obtained from any of our (GIGACLOUD TECHNOLOGY (USA) INC.) dealers

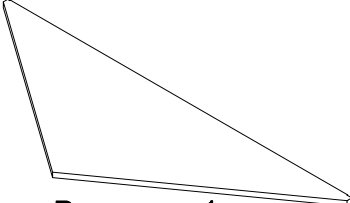
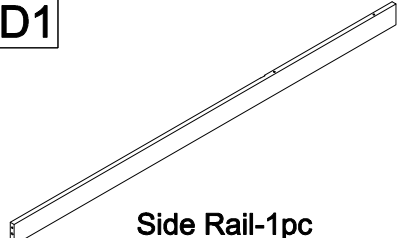
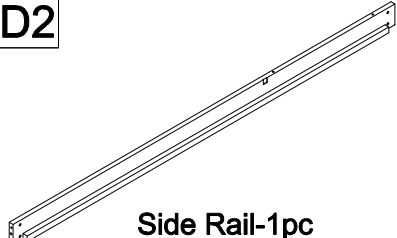
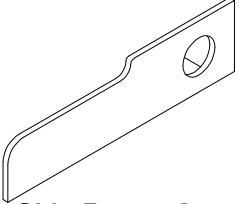
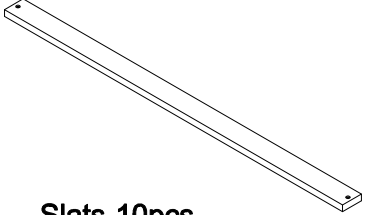
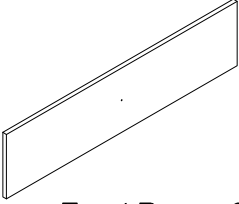
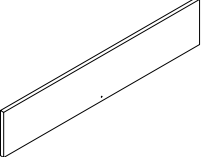
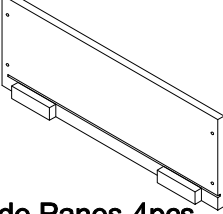
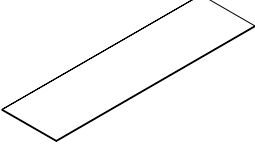
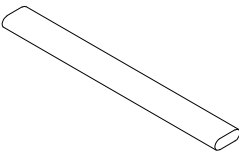
ASSEMBLY INSTRUCTION




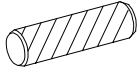
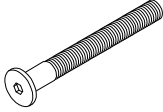

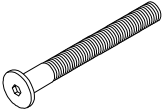
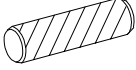

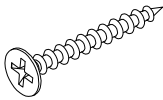
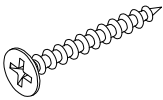


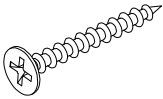
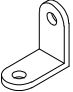

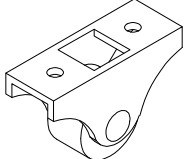

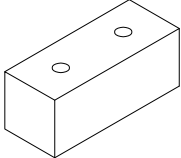
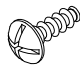

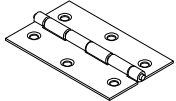
Part List (Box WF318067)

<p>A1</p>  <p>Leg-1pc</p>	<p>A2</p>  <p>Leg-1pc</p>	<p>A3</p>  <p>Leg-1pc</p>
<p>A4</p>  <p>Leg-1pc</p>	<p>B1</p>  <p>Wood Bars-3pcs</p>	<p>B2</p>  <p>Wood Bar-1pc</p>
<p>B3</p>  <p>Wood Bar-1pc</p>	<p>B4</p>  <p>Panes-2pcs</p>	<p>B5</p>  <p>Pane-1pc</p>
<p>B6</p>  <p>Pane-1pc</p>	<p>B7</p>  <p>Pane-1pc</p>	<p>B8</p>  <p>Pane-1pc</p>
<p>B9</p>  <p>Vetical Bar-1pc</p>	<p>C1</p>  <p>Horizontal Bar-1pc</p>	<p>C2</p>  <p>Horizontal Bar-1pc</p>
<p>C3</p>  <p>Vetical Bar-1pc</p>	<p>C4</p>  <p>Steering wheel-1pc</p>	<p>C5</p>  <p>Side Pane-1pc</p>
<p>C6</p>  <p>Side Pane-1pc</p>	<p>C7</p>  <p>Bottom Pane-1pc</p>	<p>C8</p>  <p>Client-1pc</p>

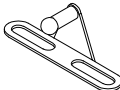

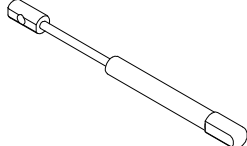
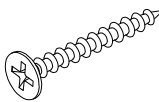

Part List (Box WF318067)

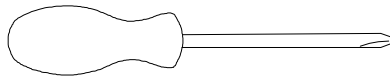
C9  Door pane-1pc	D1  Side Rail-1pc	D2  Side Rail-1pc
D3  Side Panes-2pcs	D4  Slats-10pcs	E1  Drawer-Front Panes-2pcs
E2  Drawer-Back Panes-2pcs	E3  Drawer-Side Panes-4pcs	E4  Drawer-Bottom Panes-4pcs
E5  Drawer-Sup Bottom Panes-2pcs		

Hardware List (Box WF318067)

<p>1</p>  <p>Screws 1/4"x80 10pcs</p>	<p>2</p>  <p>Ø10 x 40 mm Wood dowel 4pcs</p>	<p>3</p>  <p>Ø1/4" x 80 mm Hex-Head bolts 8pcs</p>
<p>4</p>  <p>Ø1/4" x 13 mm Horizontal-Hole bolts 8pcs</p>	<p>5</p>  <p>Ø1/4" x 40 mm Hex-Head bolts 4pcs</p>	<p>6</p>  <p>Ø8 x 30 mm Wood dowel 4pcs</p>
<p>7</p>  <p>Steel Bracket 2pcs</p>	<p>8</p>  <p>M3.5 x 12 mm Wood Screws 18pcs</p>	<p>9</p>  <p>M4 x 25 mm Wood Screws 10pcs</p>
<p>10</p>  <p>Ø1/4" x 20 mm Hex-Head bolts 8pcs</p>	<p>11</p>  <p>Ø1/4" x 15 mm Canopy head though - 1pc</p>	<p>12</p>  <p>M4 x 30 mm Wood Screws 50pcs</p>
<p>13</p>  <p>Steel Bracket 1pc</p>	<p>14</p>  <p>Allen Key 1pc</p>	<p>15</p>  <p>Wheels 8pcs (H=28mm)</p>
<p>16</p>  <p>M4 x 15 mm Wood Screws 16pcs</p>	<p>21</p>  <p>Stop Trundle-3pcs</p>	<p>18</p>  <p>Ø1/6" x 25 mm Hex-Head bolts 2pcs</p>
<p>19</p>  <p>Handle Wood 2pcs</p>	<p>20</p>  <p>Leaf hinge 2pcs</p>	

Hardware List (Box 1-WF305171)-Piston cover

22  Detail A 2pcs	23  Detail B 2pcs	24  Detail C 2pcs
25  M3 x 15 mm Wood Screws 10pcs	26  Ø1/4" x 30 mm Hex-Head bolts 1pc	



Assembly Tools Required (Not Included)

STEP 1: Following below illustration:

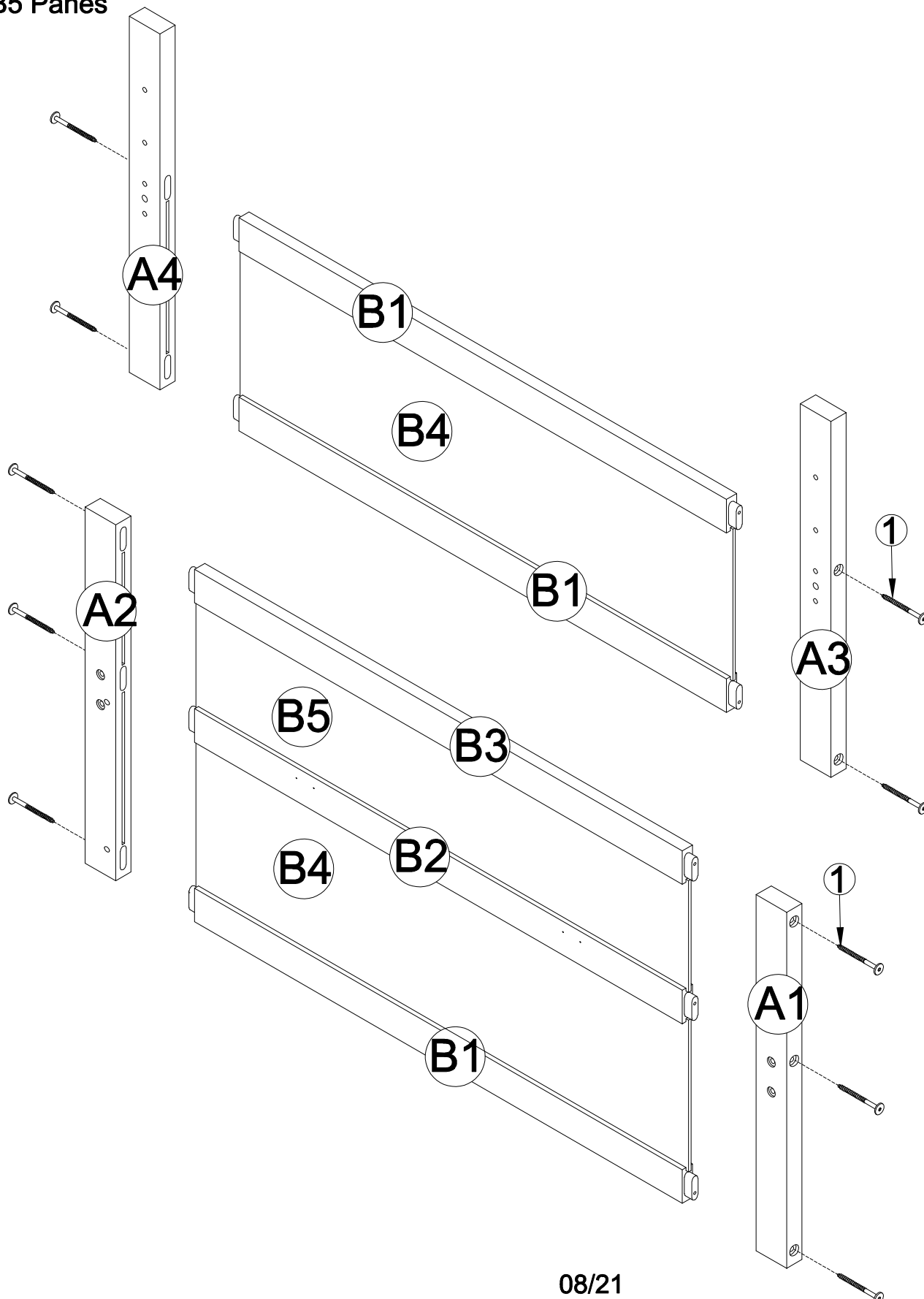
-Using HW #1 to connect A1,A2 Legs with B1(x2) Wood Bars and B4 Pane

-Using HW #1 to connect A3,A4 Legs with B1,B2,B3 Wood Bars and B4,B5 Panes

1


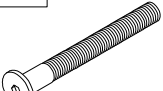

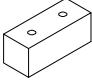
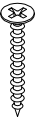


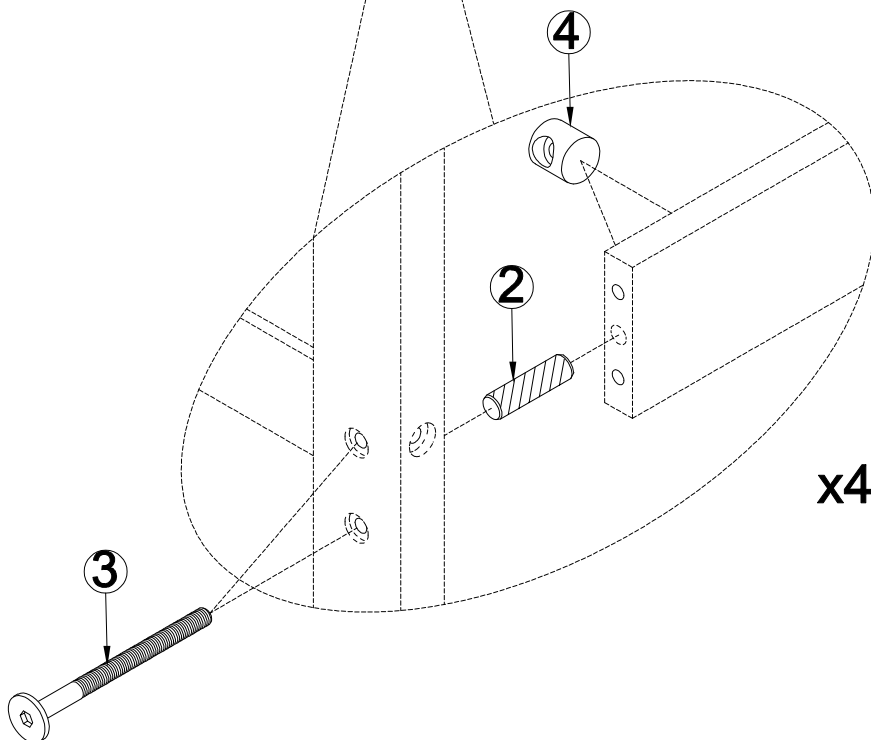
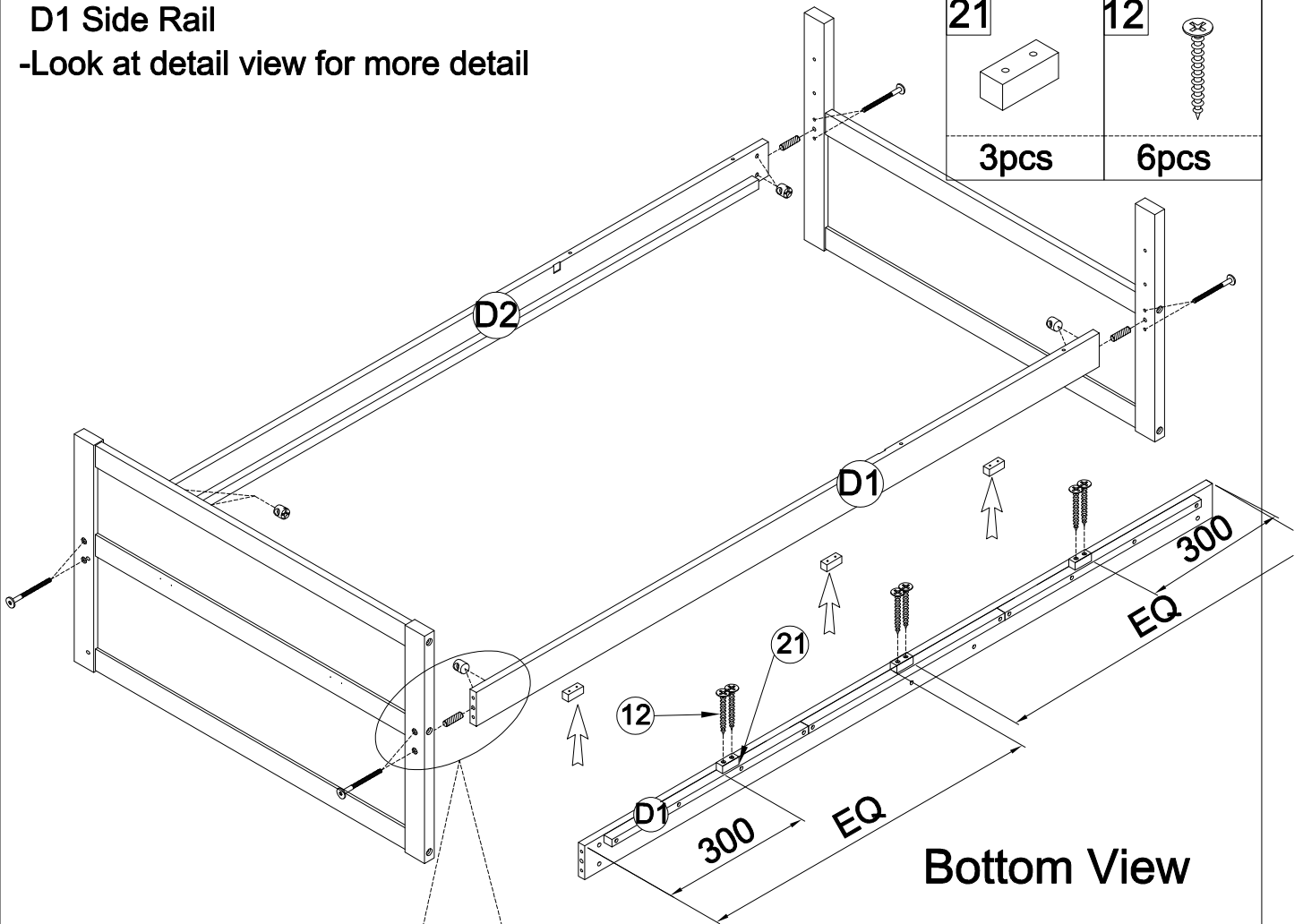
10pcs



STEP 2: Following below illustration:

- Using HW #3, #4 and dowel #2 to Connect Frame(Completed in step 1) with D1,D2 Side Rails
- Using HW #12 to Connect Stop Drawer #21 with D1 Side Rail
- Look at detail view for more detail

4		3		2	
8pcs		8pcs		4pcs	
		21		12	
		3pcs		6pcs	

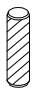
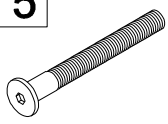
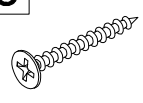
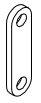


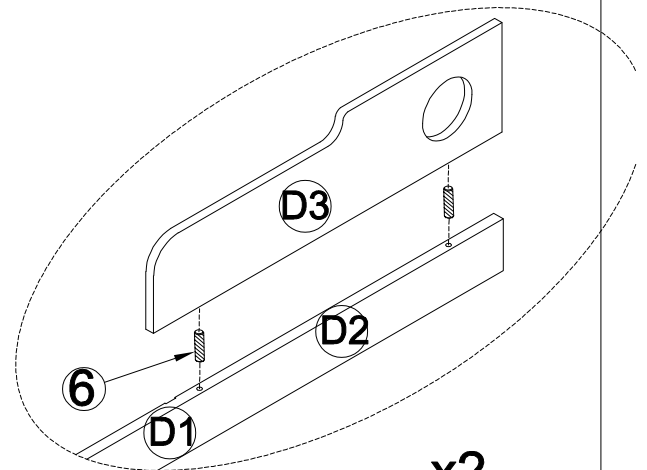
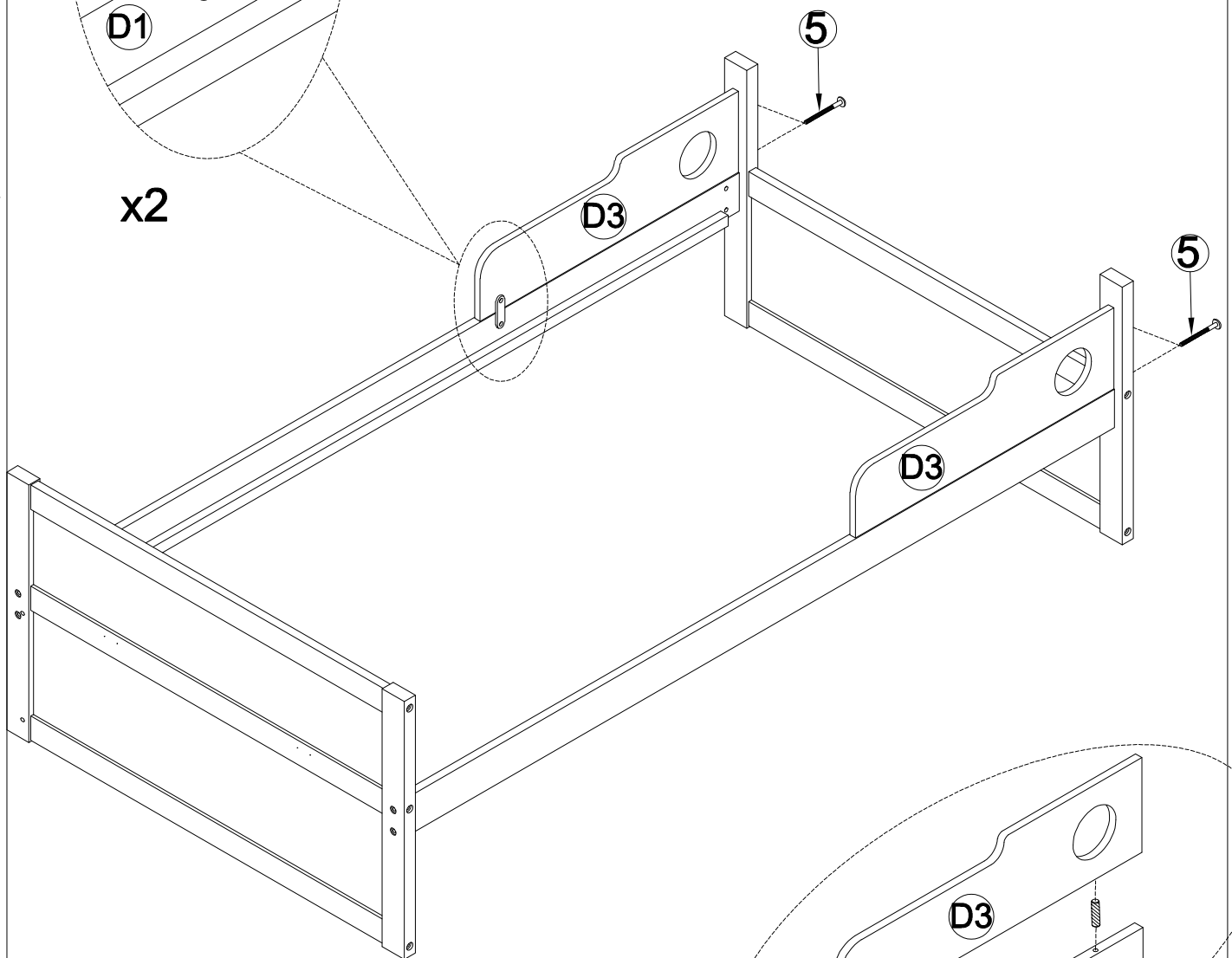
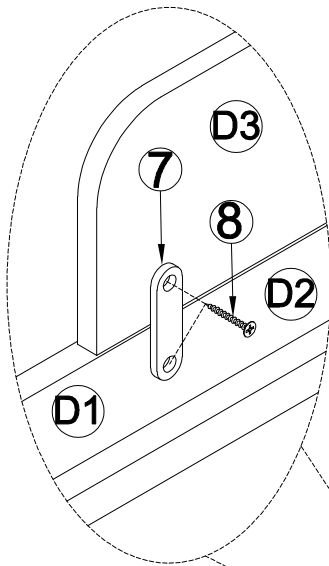
STEP 3: Following below illustration:

-Using HW #8,#7,#5 and dowel #6 to Connect Frame

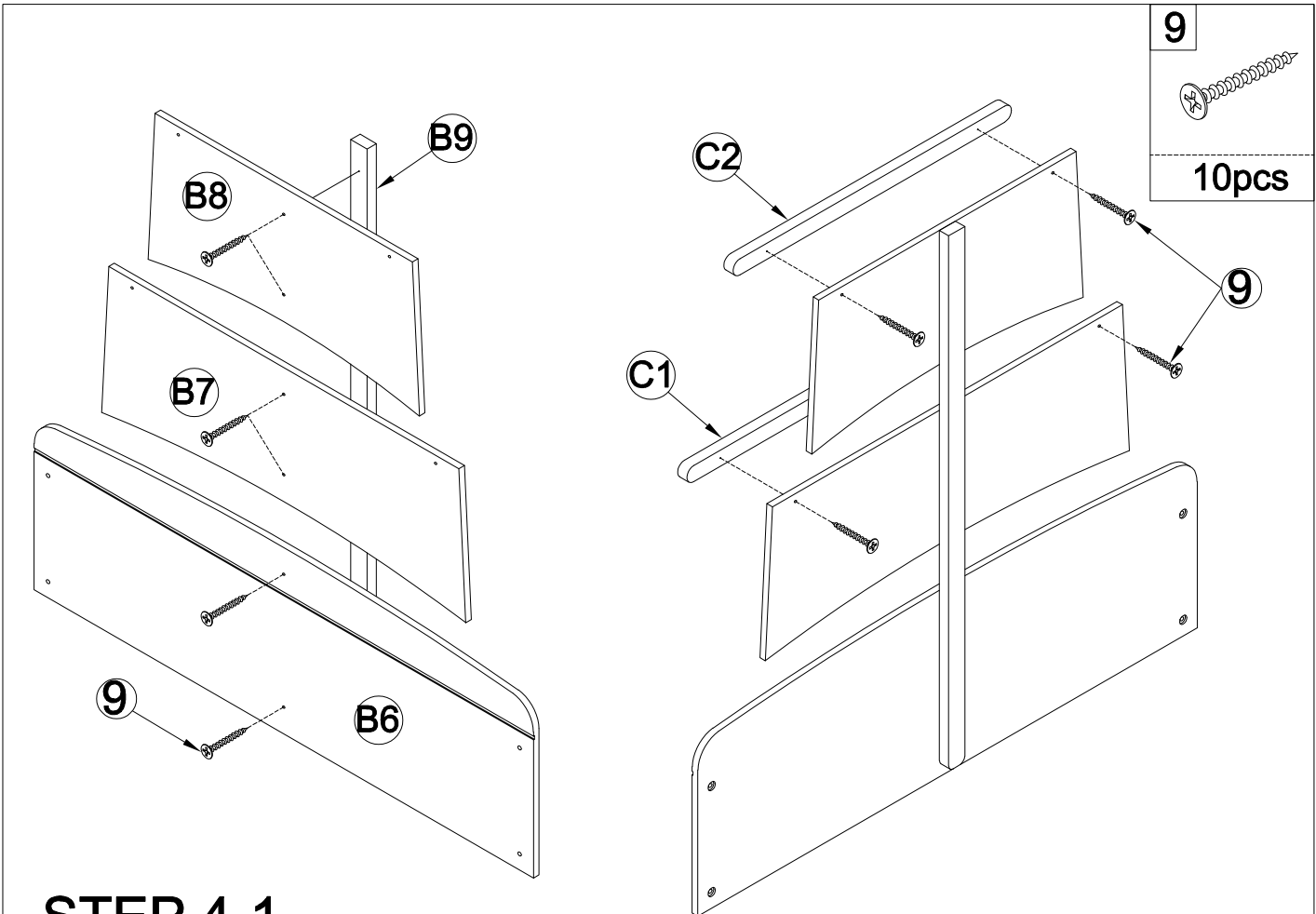
(Completed in step 2) with D3(x2) Panes

-Look at detail view for more detail

6		5	
4pcs		4pcs	
8		7	
4pcs		2pcs	



x2



9	
10pcs	

STEP 4-1

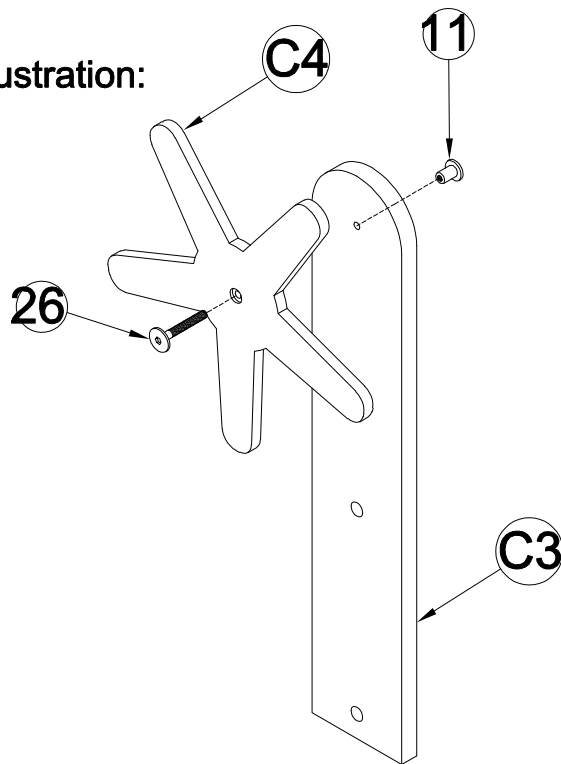
:Following below illustration:

STEP 4-2:

Following below illustration:

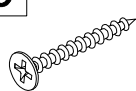

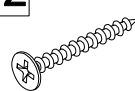

STEP 5:

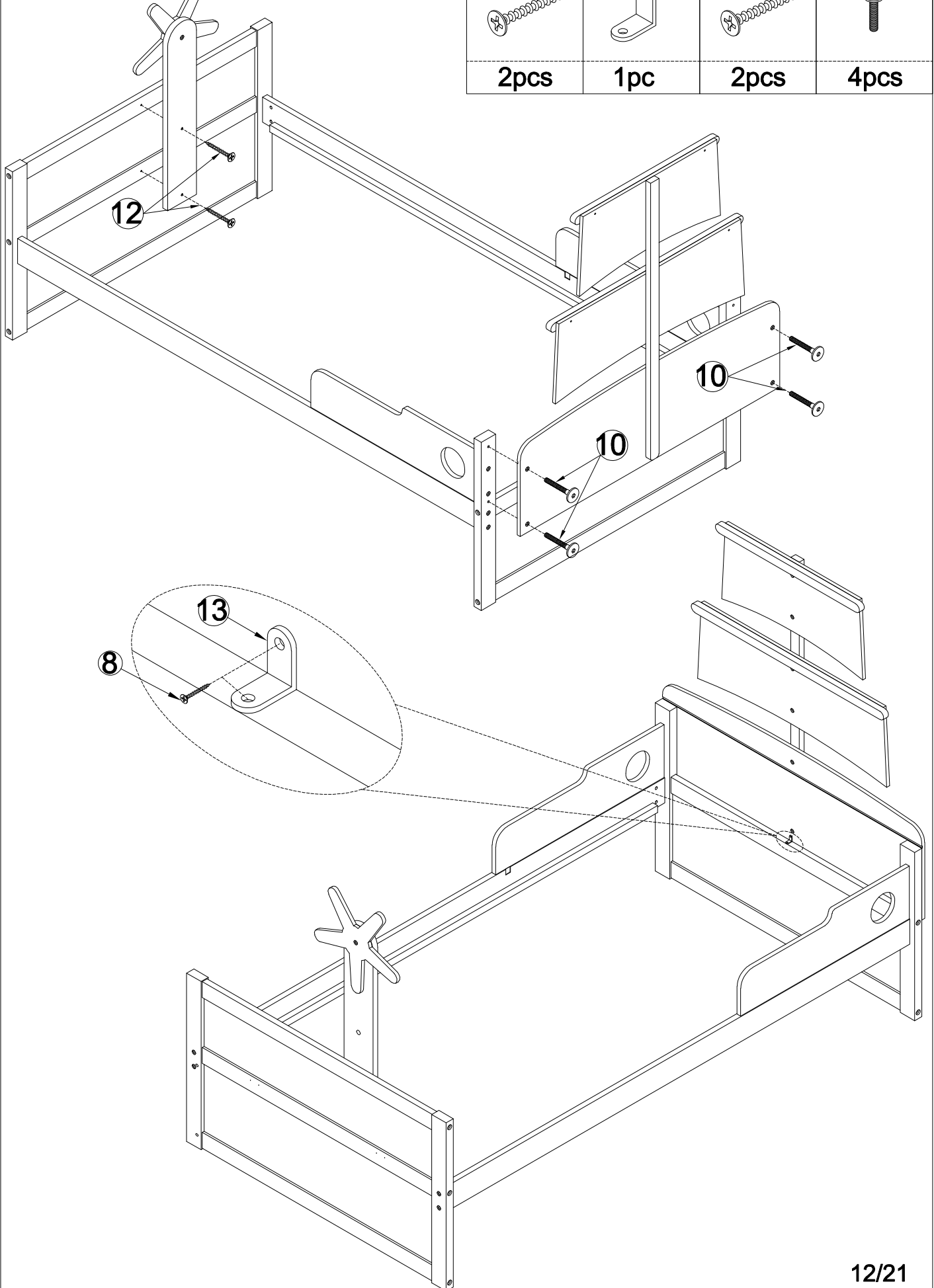
Following below illustration:



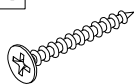
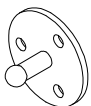
26	
1pc	
11	
1pc	

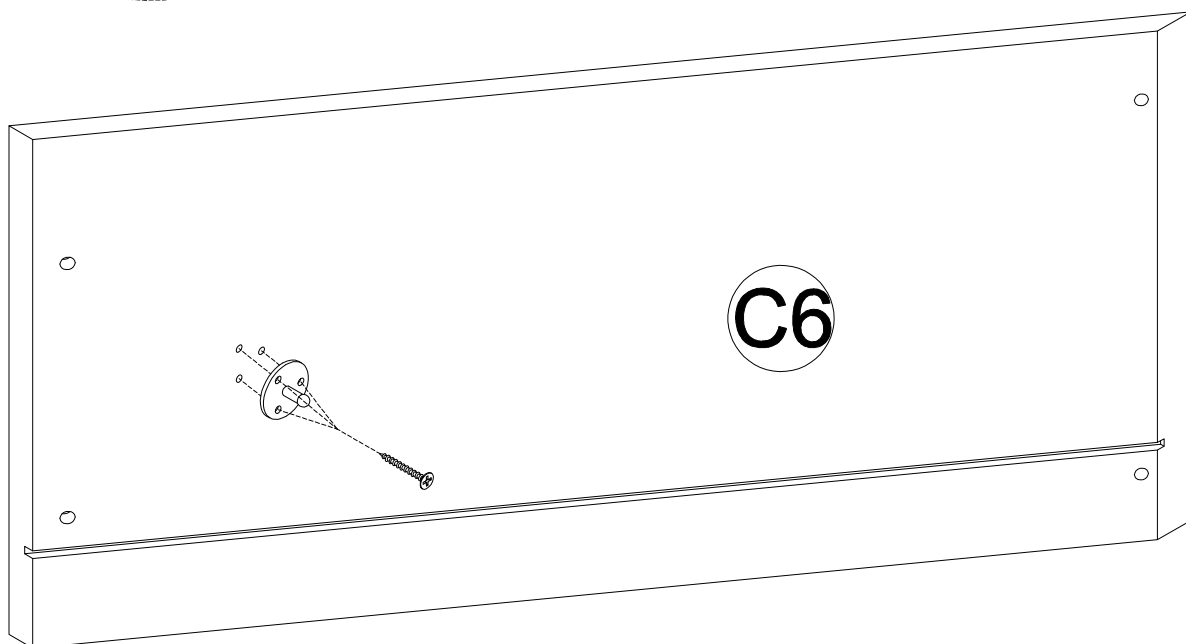
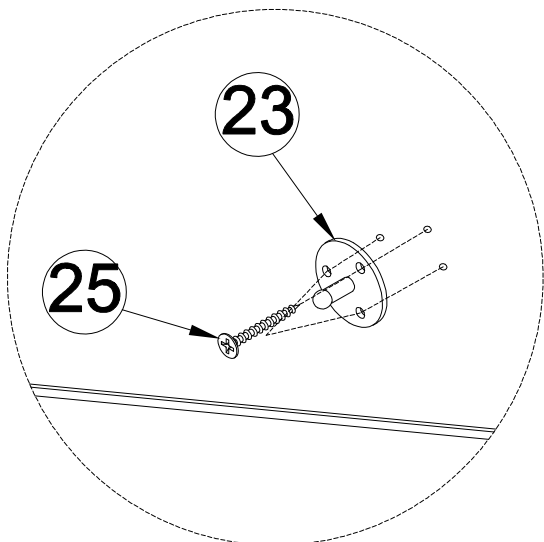
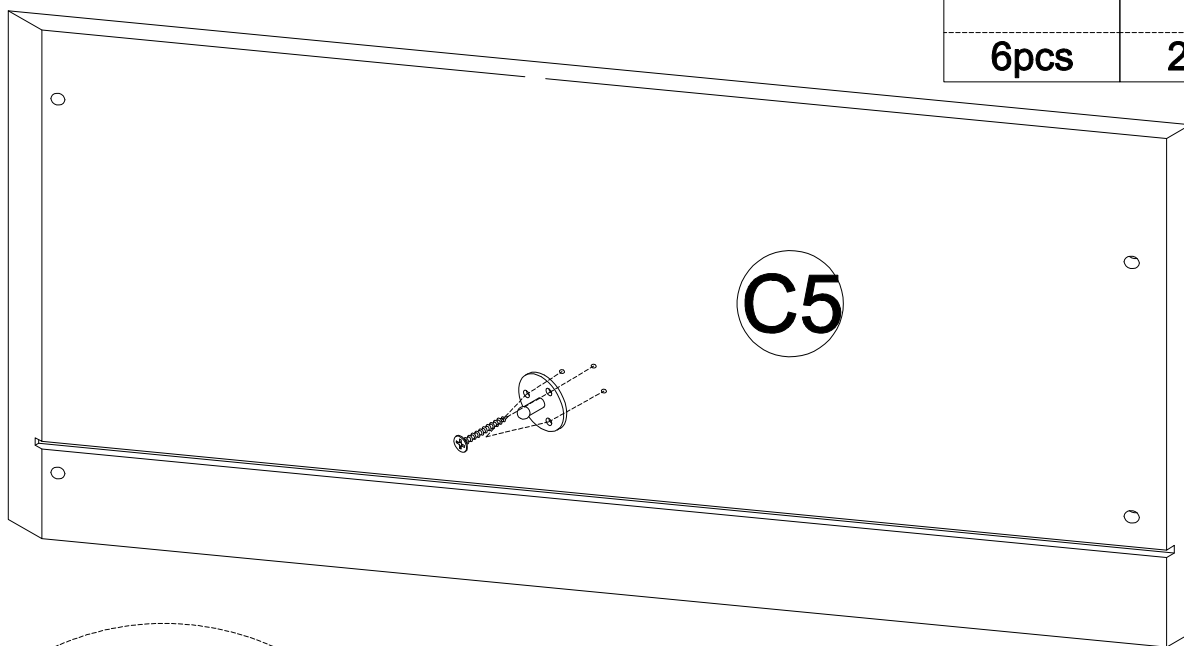
STEP 6: Following below illustration:

8	13	12	10
			
2pcs	1pc	2pcs	4pcs



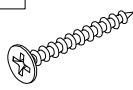

STEP 7: Following below illustration:

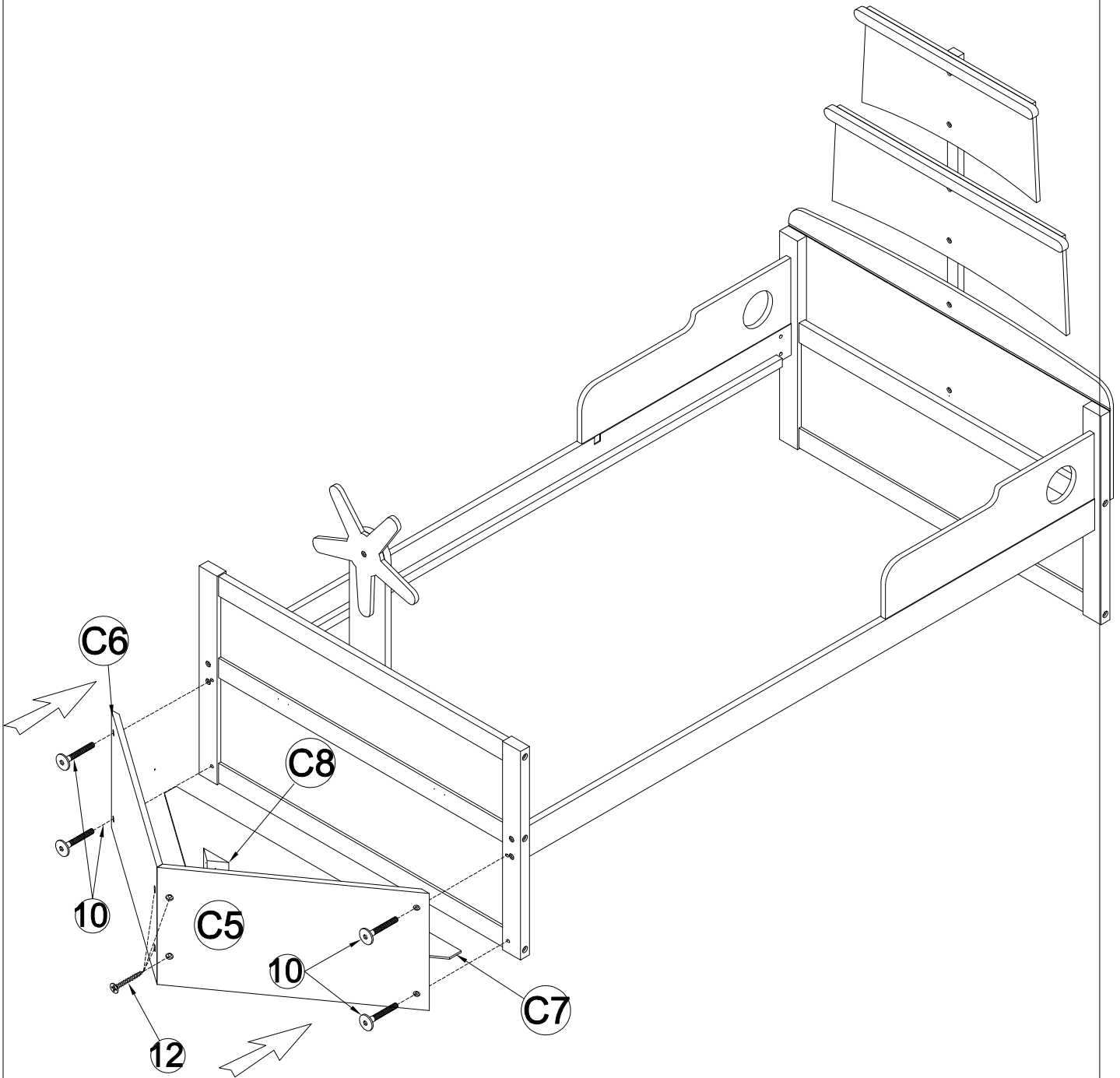
25 	23 
6pcs	2pcs



STEP 8: Following below illustration:

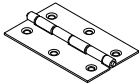
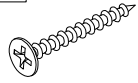
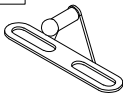
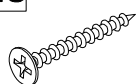
- Using HW #10,#12,#5 to Connect Frame (Completed in step 6) with C5,C6,C7 Panes and C8 Client
- Look at detail view for more detail

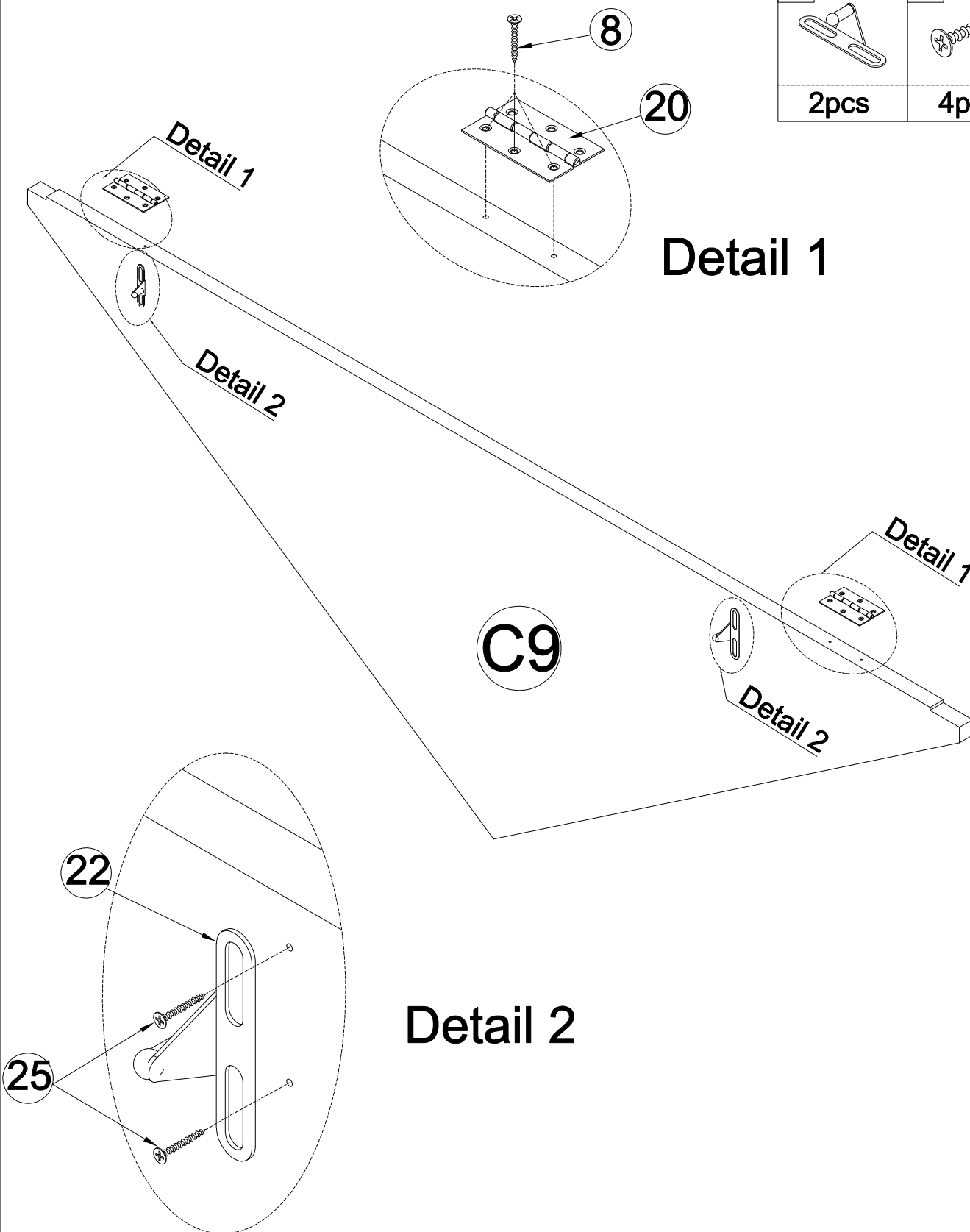
12	10
	
4pcs	4pcs



STEP 9: Following below illustration:

- Using HW #8 to Connect HW #20 with C9 Pane
- Using HW #25 to Connect HW #22 with C9 Pane
- Look at detail view for more detail

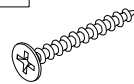
20	8
	
2pcs	6pcs
22	25
	
2pcs	4pcs



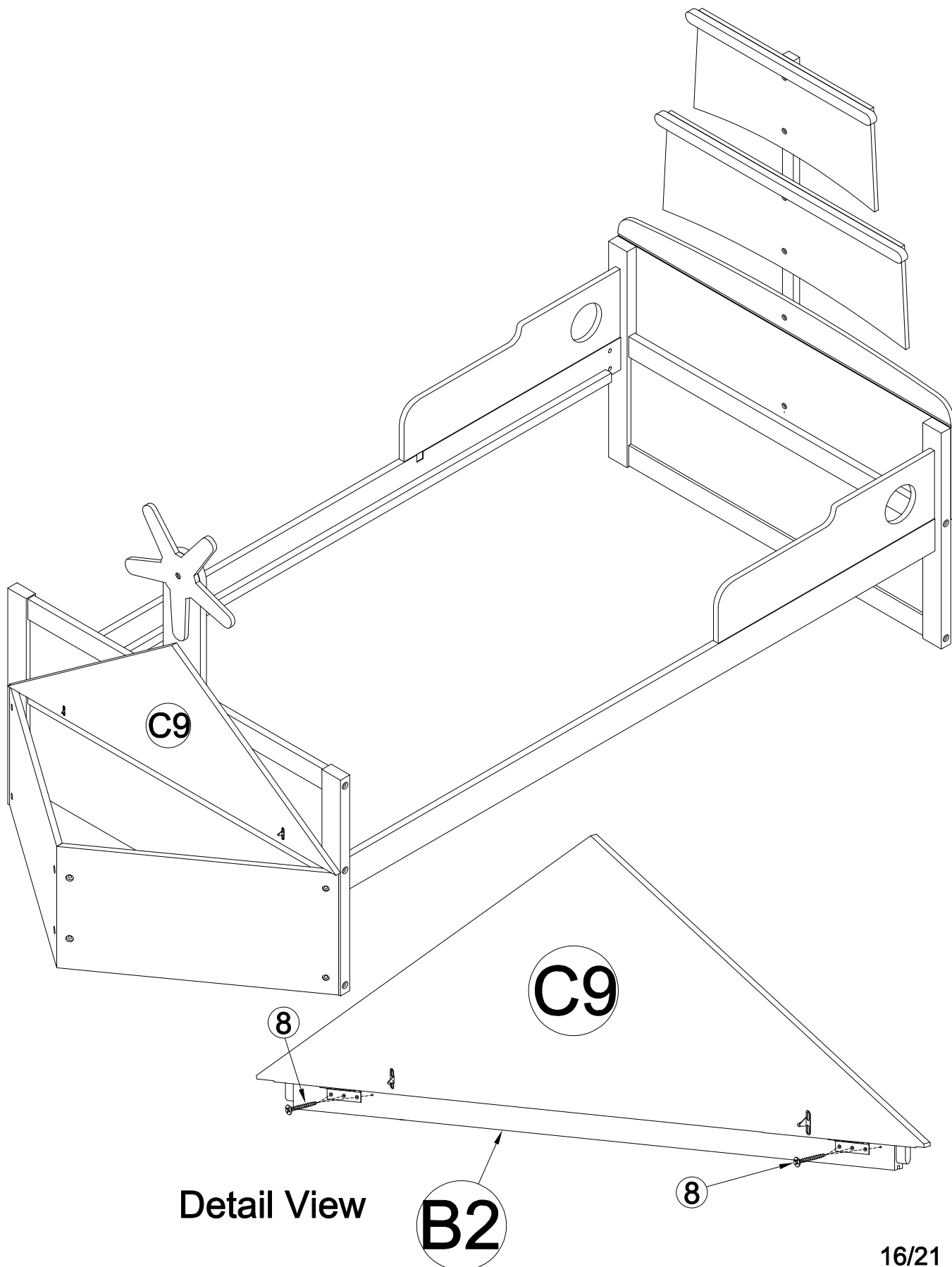
STEP 10: Following below illustration:

- Using HW #8 to Connect Frame (Completed in step 8) with C9 Pane
- Look at detail view for more detail

8



6pcs

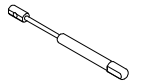


Detail View

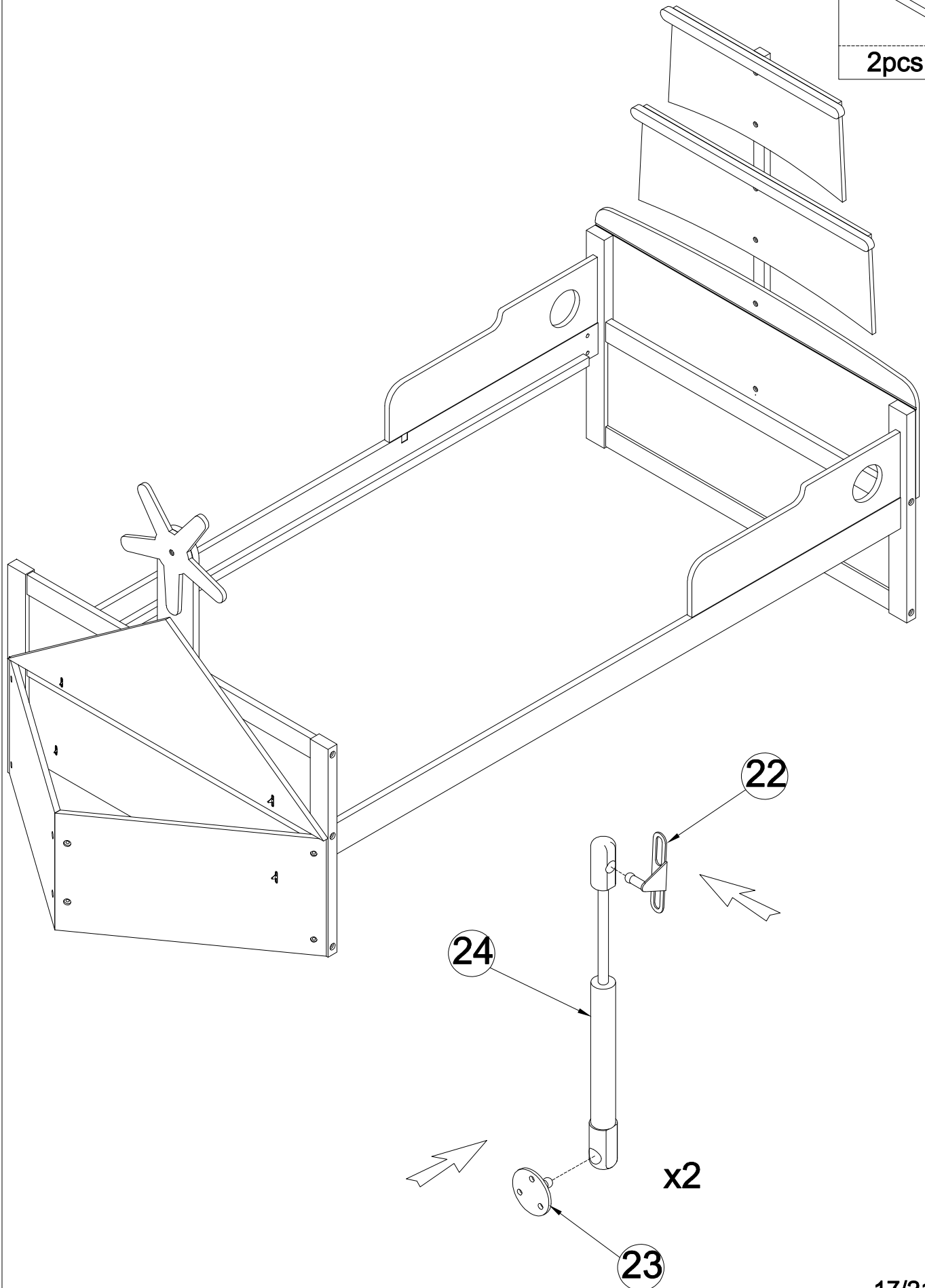
B2

STEP 11: Following below illustration:

24



2pcs



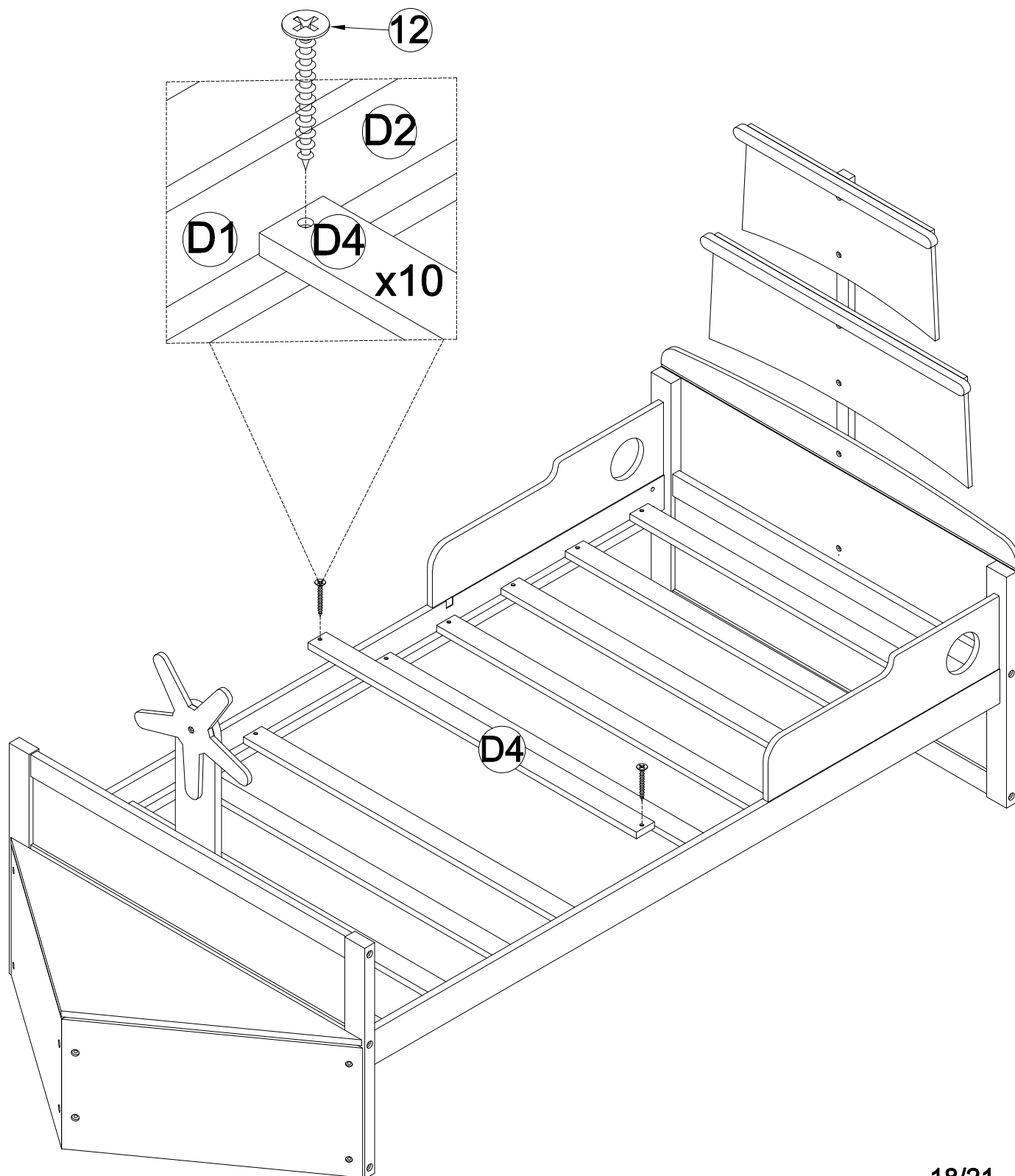
STEP 12: Following below illustration:

-Screw 10 Slat D4 with Side Rail D1,D2 by using HW #12.

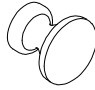
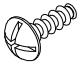
12

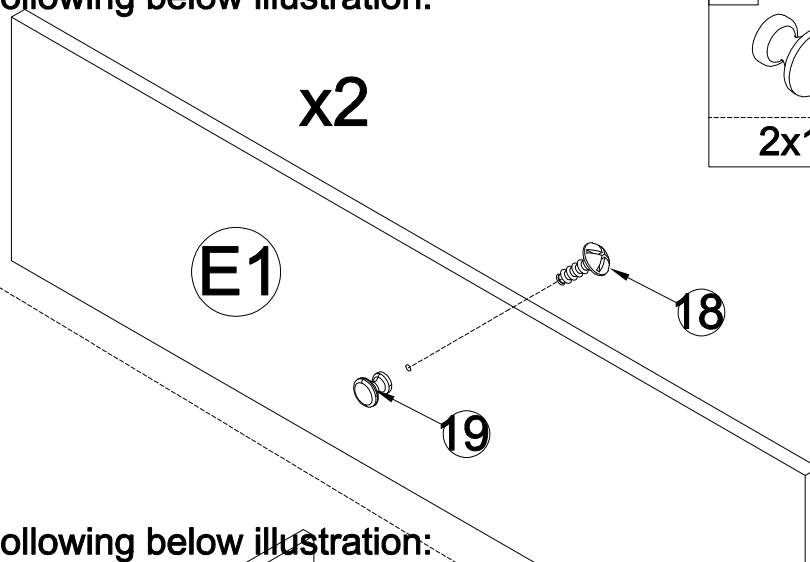


20pcs




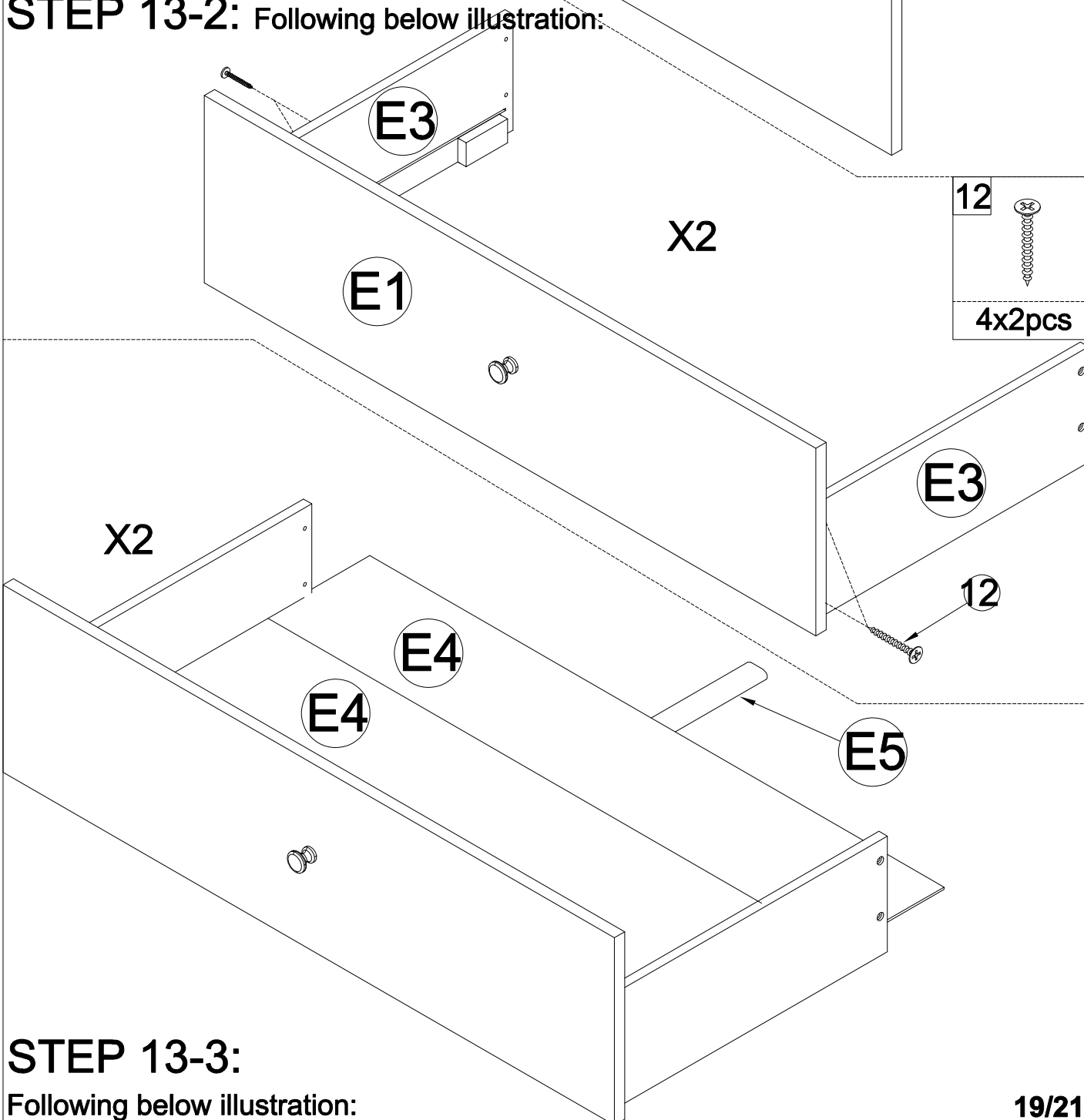
STEP 13-1: Following below illustration:

19	18
	
2x1pc	2x1pc



STEP 13-2: Following below illustration:

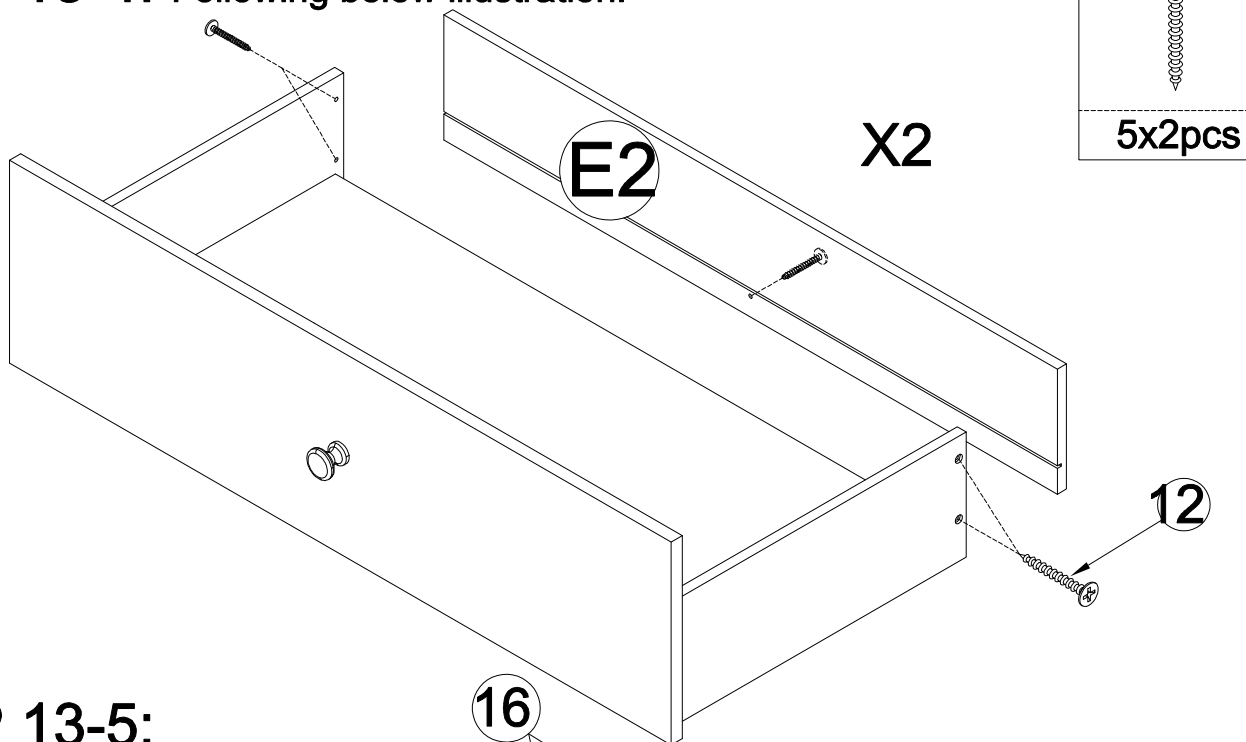
12	
4x2pcs	



STEP 13-3:

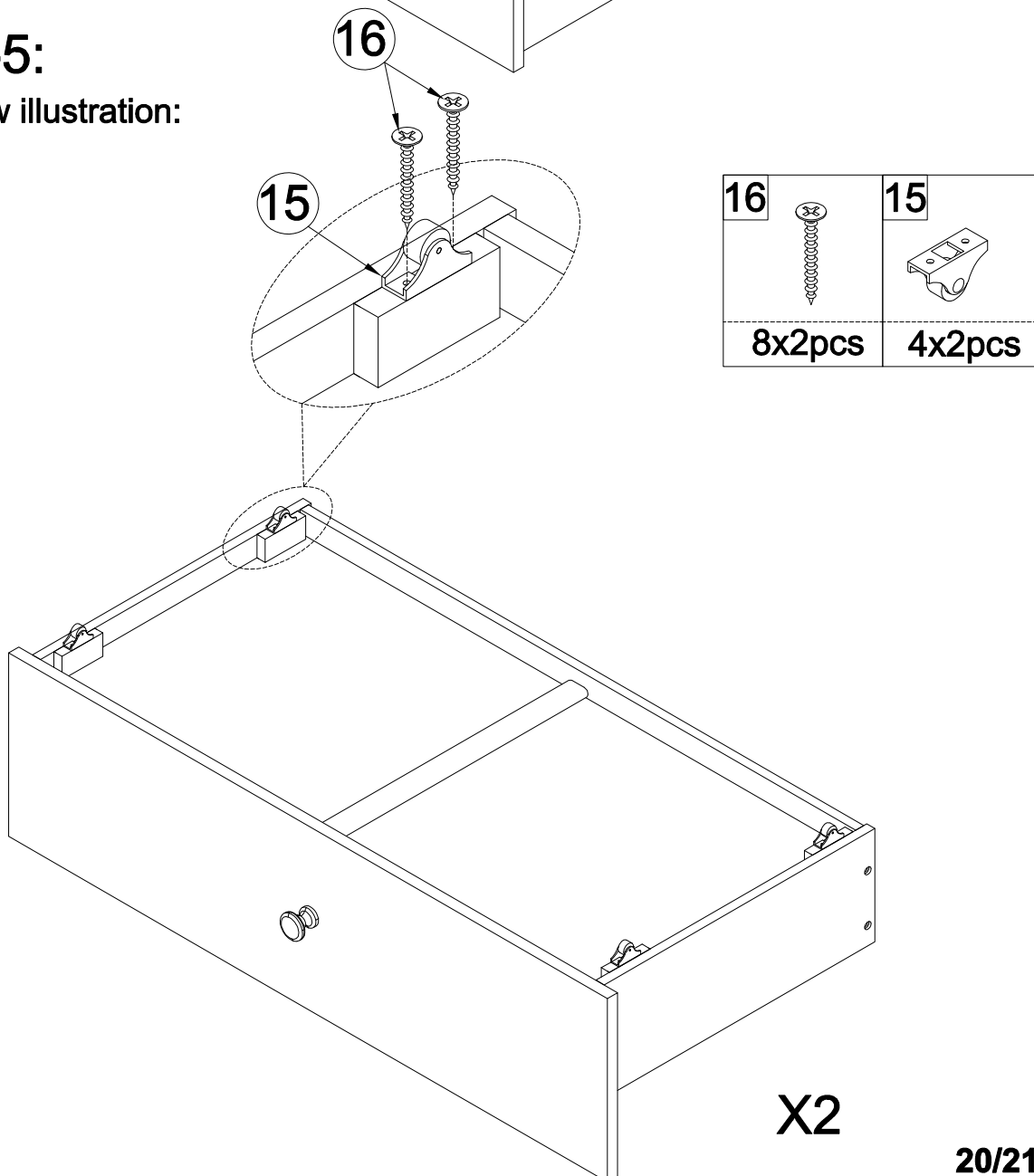
Following below illustration:

STEP 13-4: Following below illustration:



STEP 13-5:

Following below illustration:



STEP 14: CONGRATULATION. YOU HAVE COMPLETED THE BED
Push 2 Drawers into position

