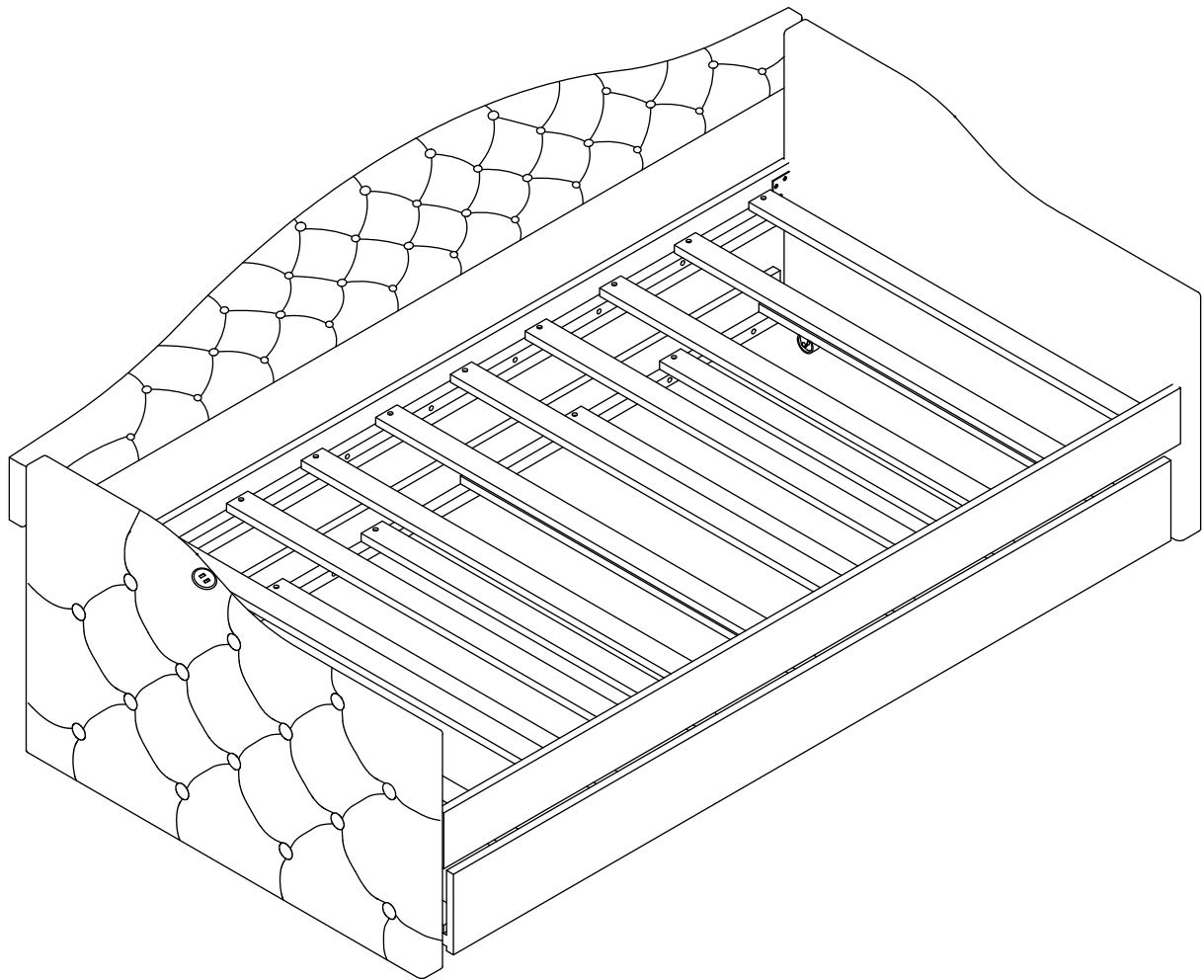
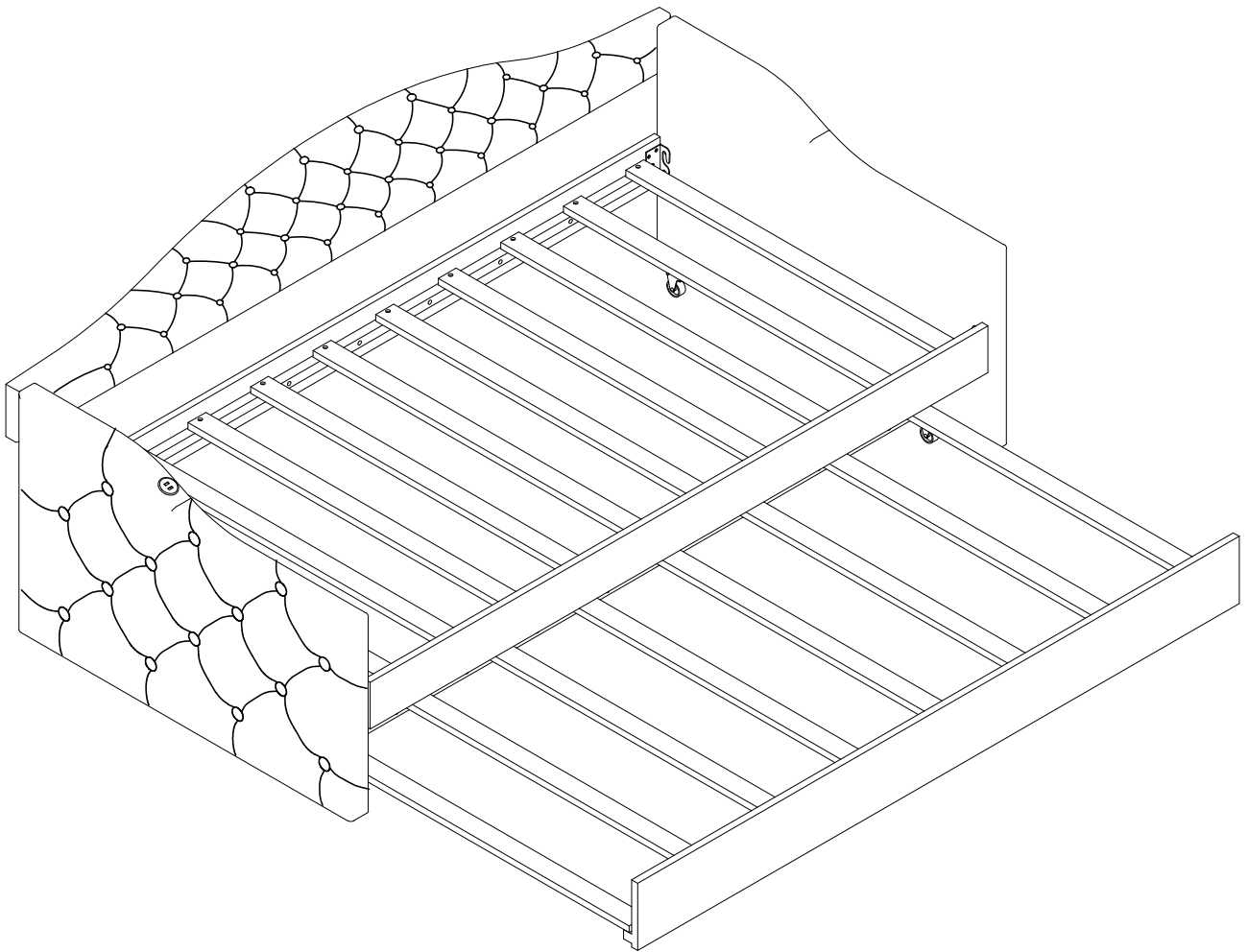
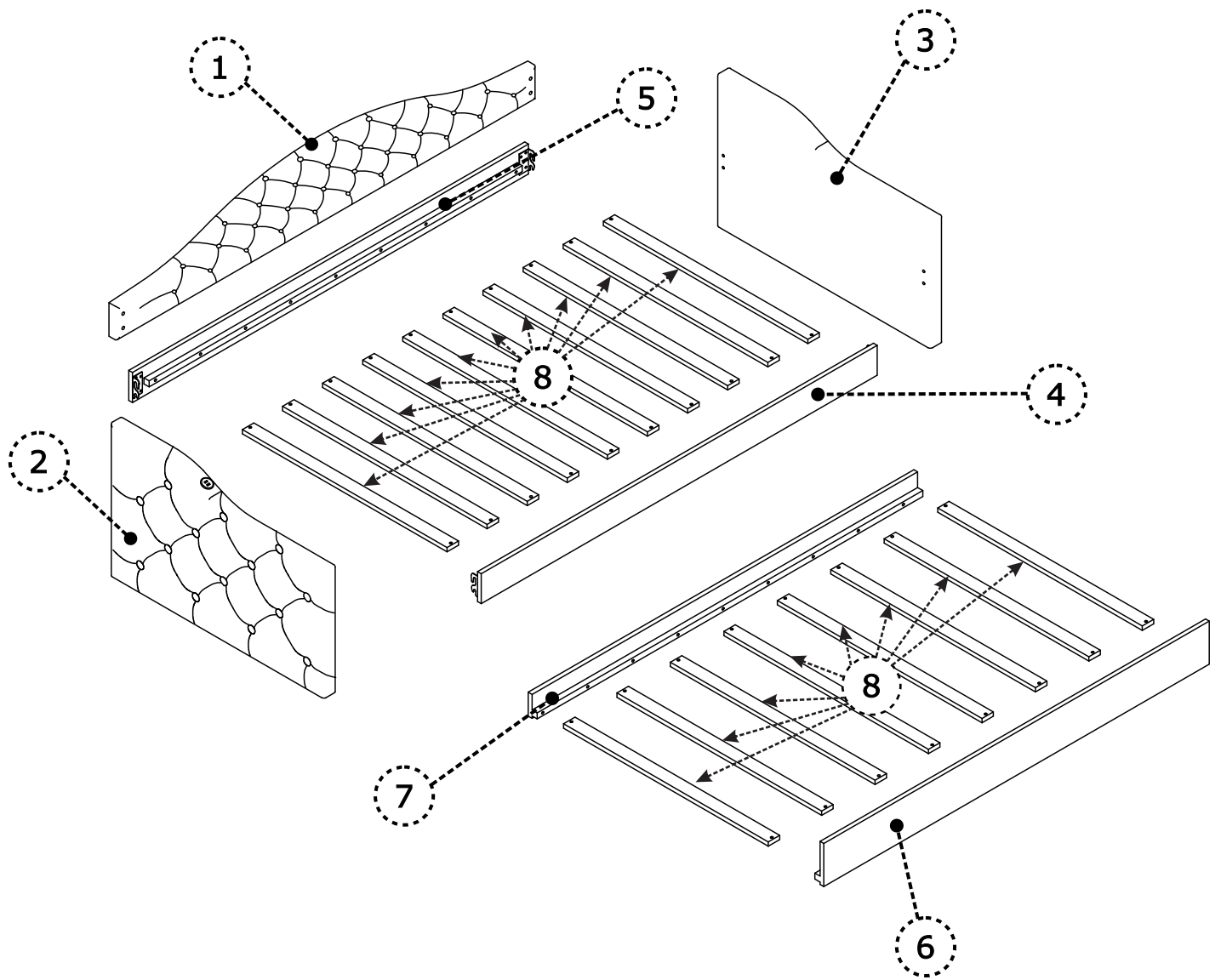


**WF316636**  
**WF316637**



# **ASSEMBLY INSTRUCTIONS**



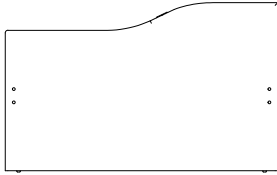


# PARTS

Check that you've received  
all parts listed below.

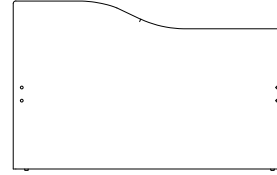
**BOX: 1/2**  
**WF316636**

2 x 1



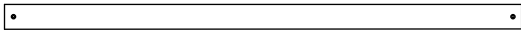
Side board Left

3 x 1



Side board Right

8 x 18



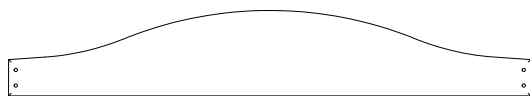
Slats

# PARTS

Check that you've received  
all parts listed below.

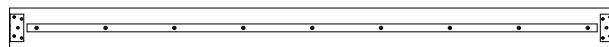
**BOX: 2/2**  
**WF316637**

1 x 1



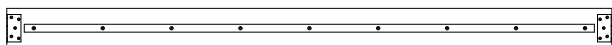
Head Board

4 x 1



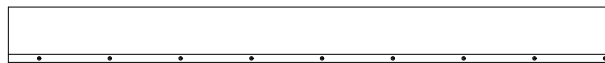
Front Rails

5 x 1



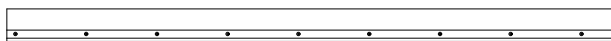
Back Rails

6 x 1



Front Rails (Trundle)

7 x 1



Back Rails (Trundle)








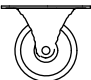
Hardware



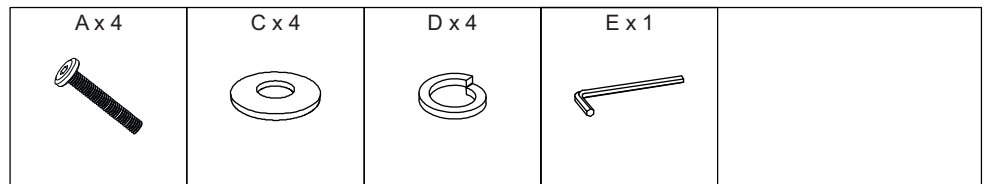
# HARDWARE

Check that you've received all hardware listed below.

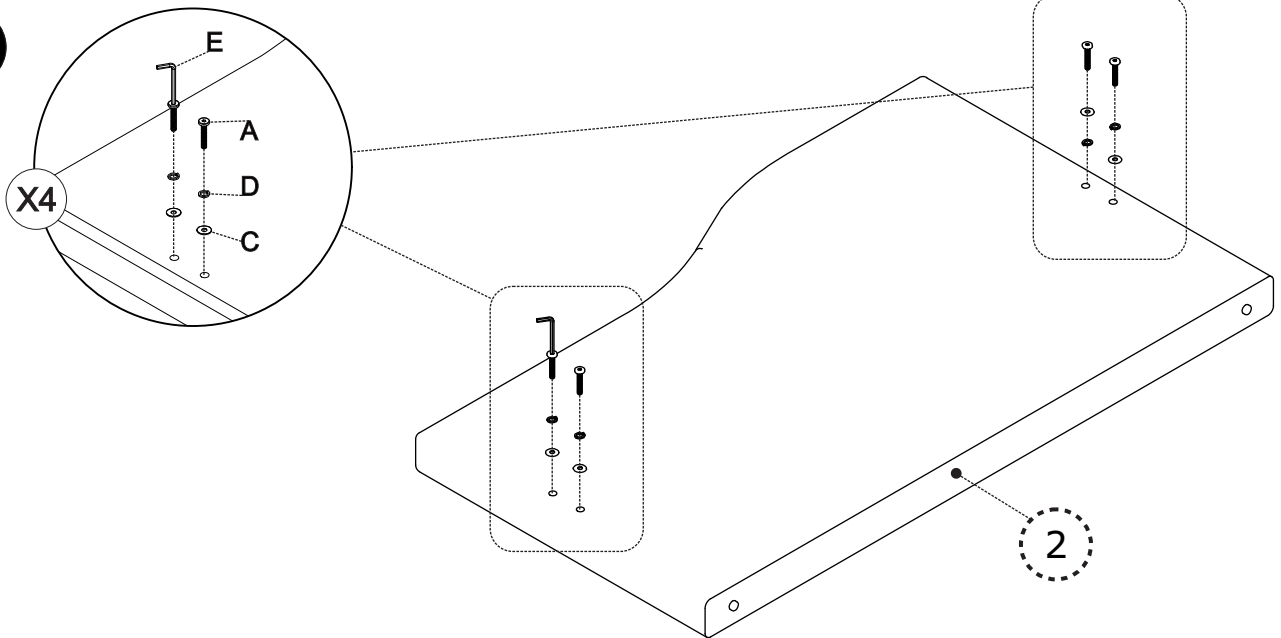
## Hardware List

No.	OUTLOOK	DESC	QTY
(A)		<b>Bolts</b> 5/16"x30 mm	8
(B)		<b>Bolts</b> 5/16"x60 mm	4
(C)		<b>Plain washer</b> Ø19x1.5 mm	12
(D)		<b>Spring washer</b> Ø13x1 mm	12
(E)		<b>Allen key</b> 80x30x4 mm	1
(F)		<b>Screws</b> Ø4x15 mm	16
(G)		<b>Screws</b> Ø4x30 mm	36
(H)		<b>Wheel</b> 50x40x25 mm	4

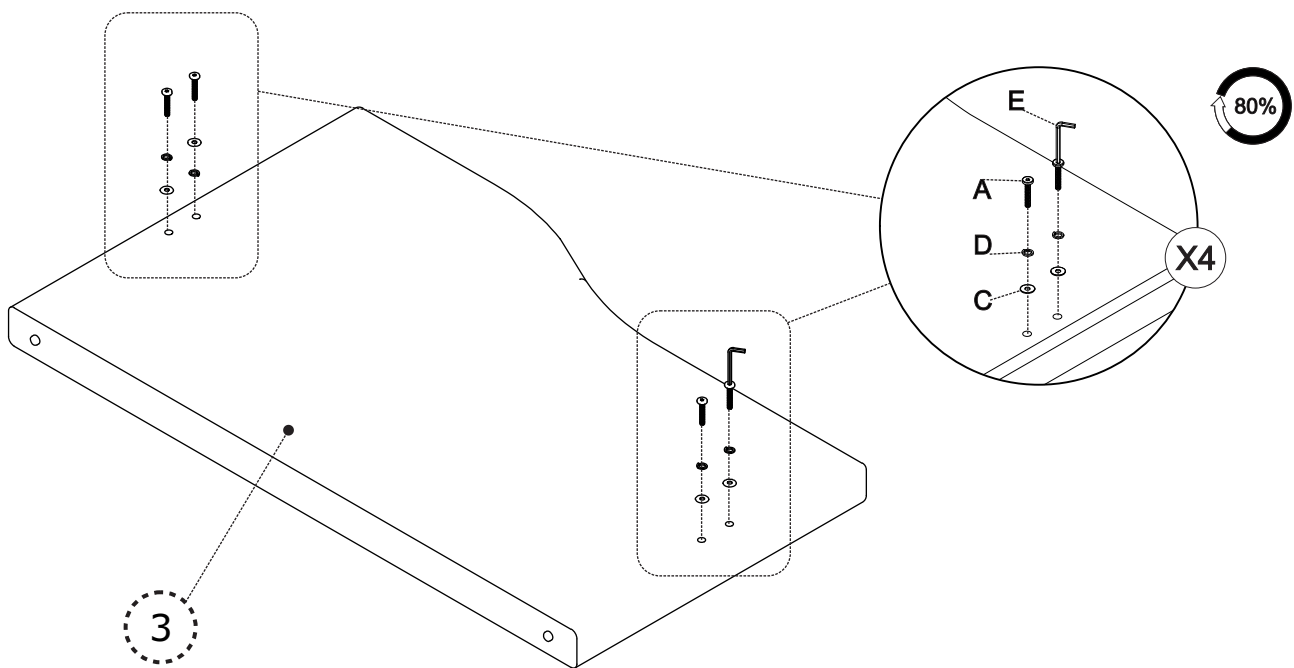
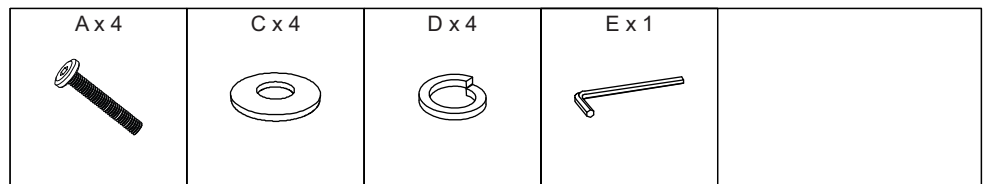
# STEP 1



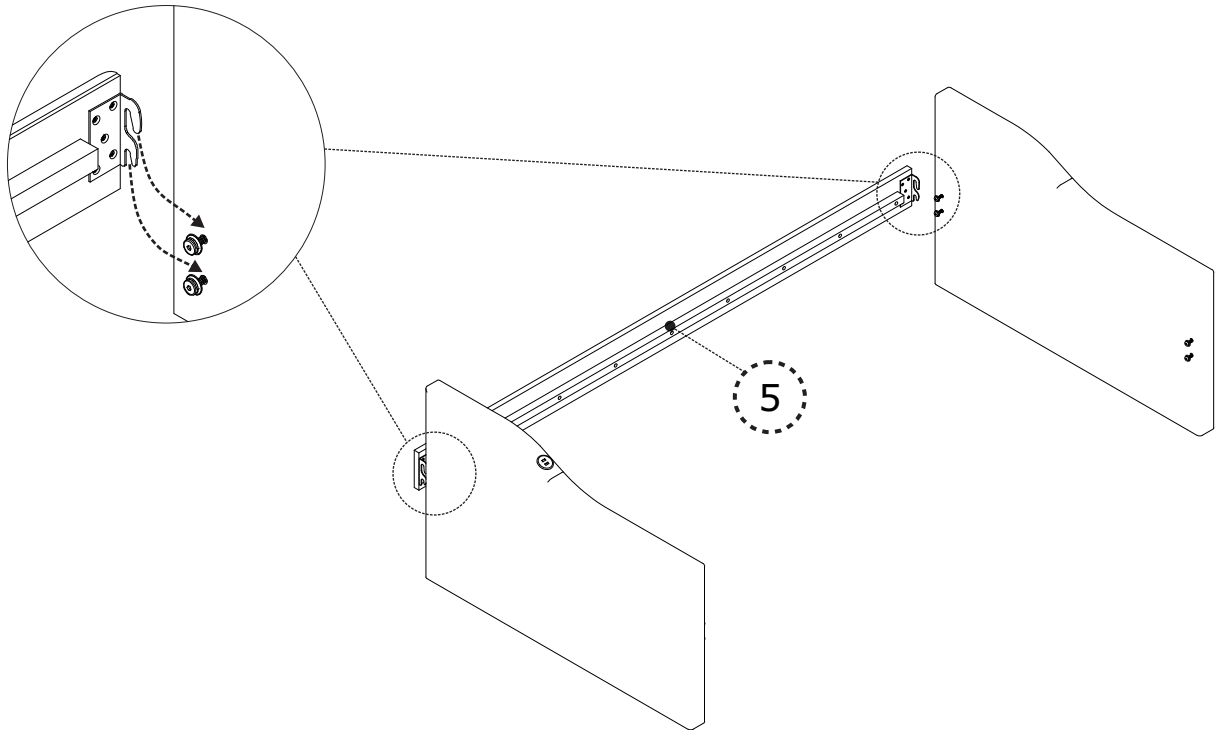
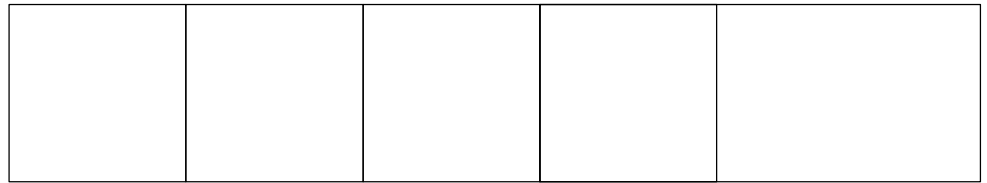
80%



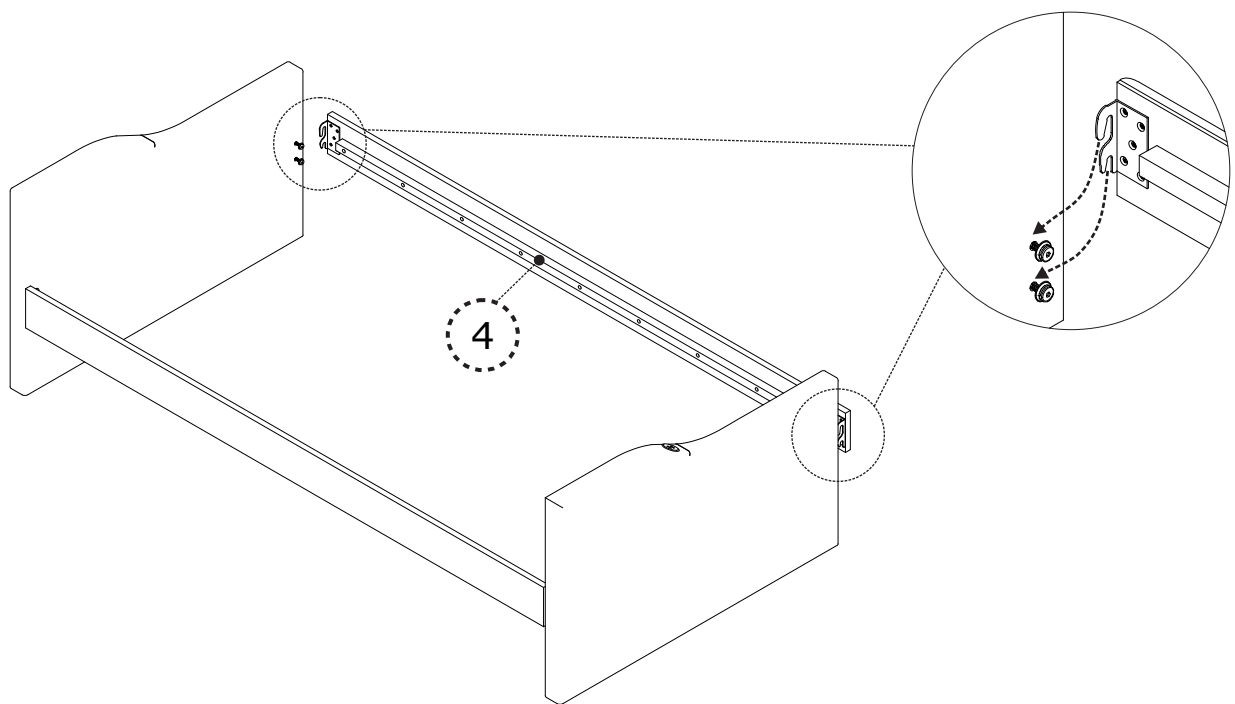
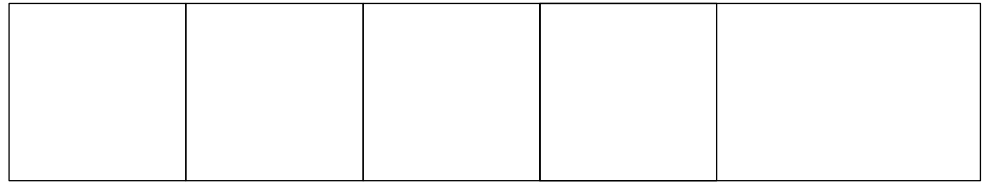
# STEP 2



# STEP 2

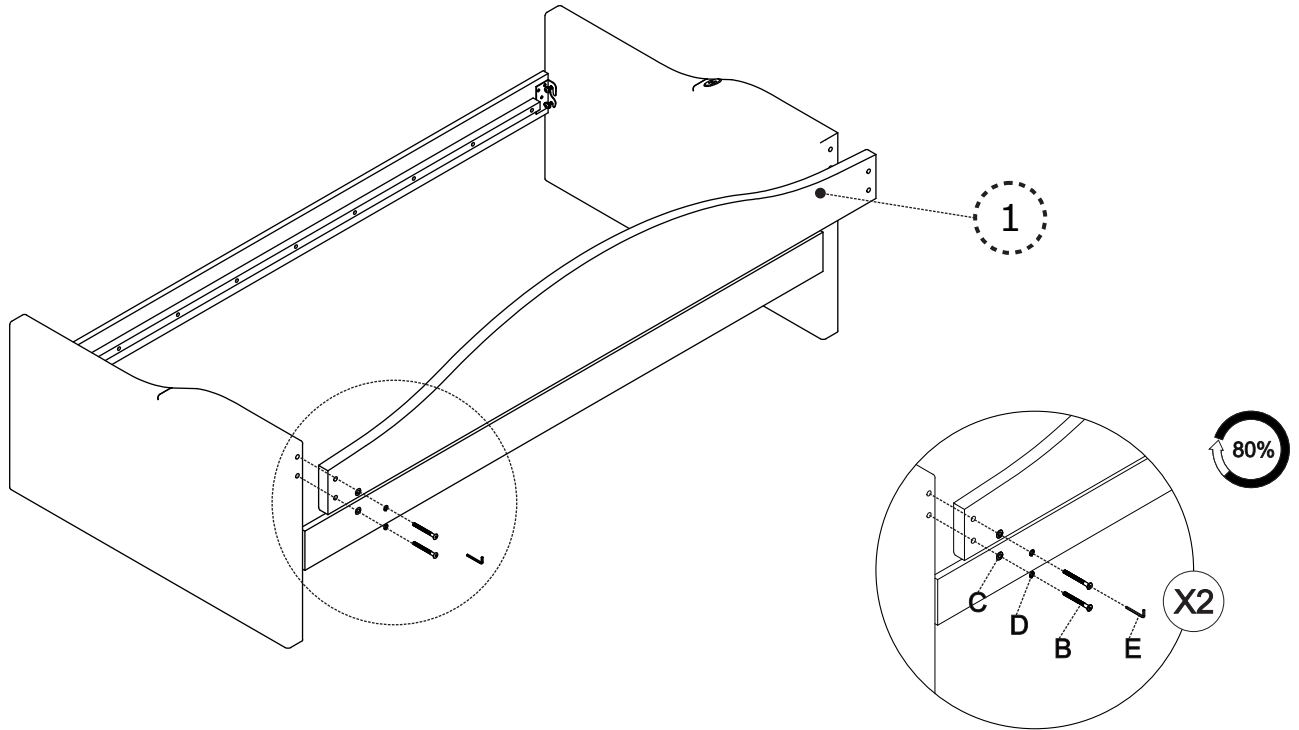
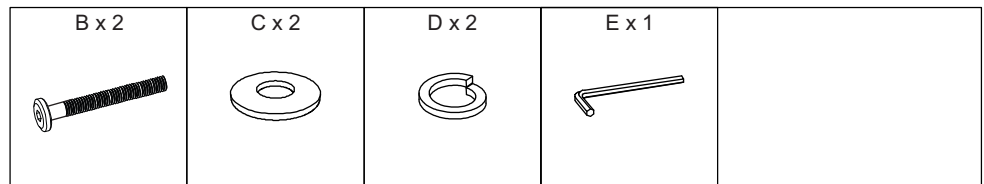


# STEP 3

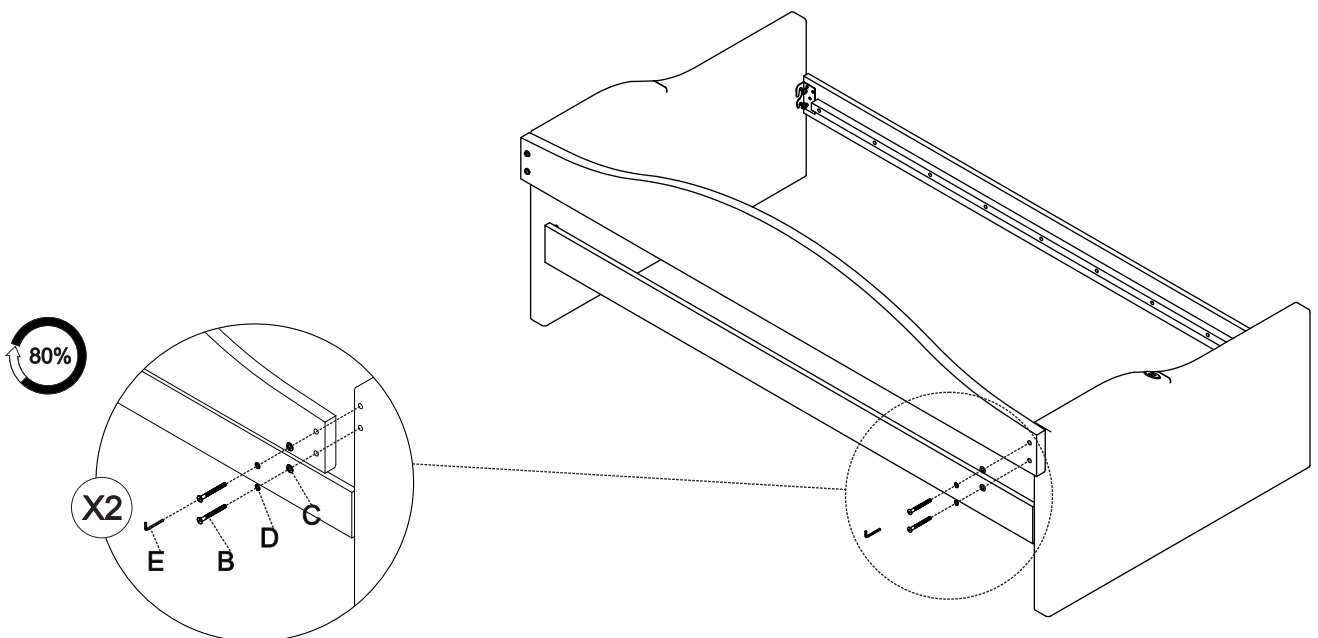
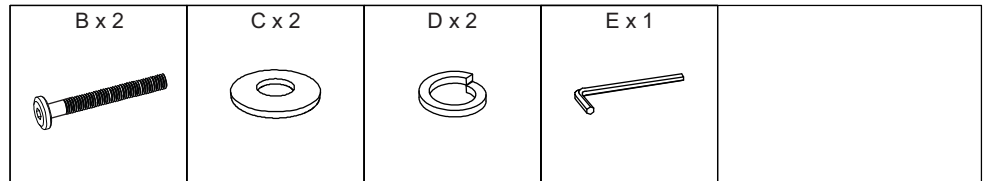




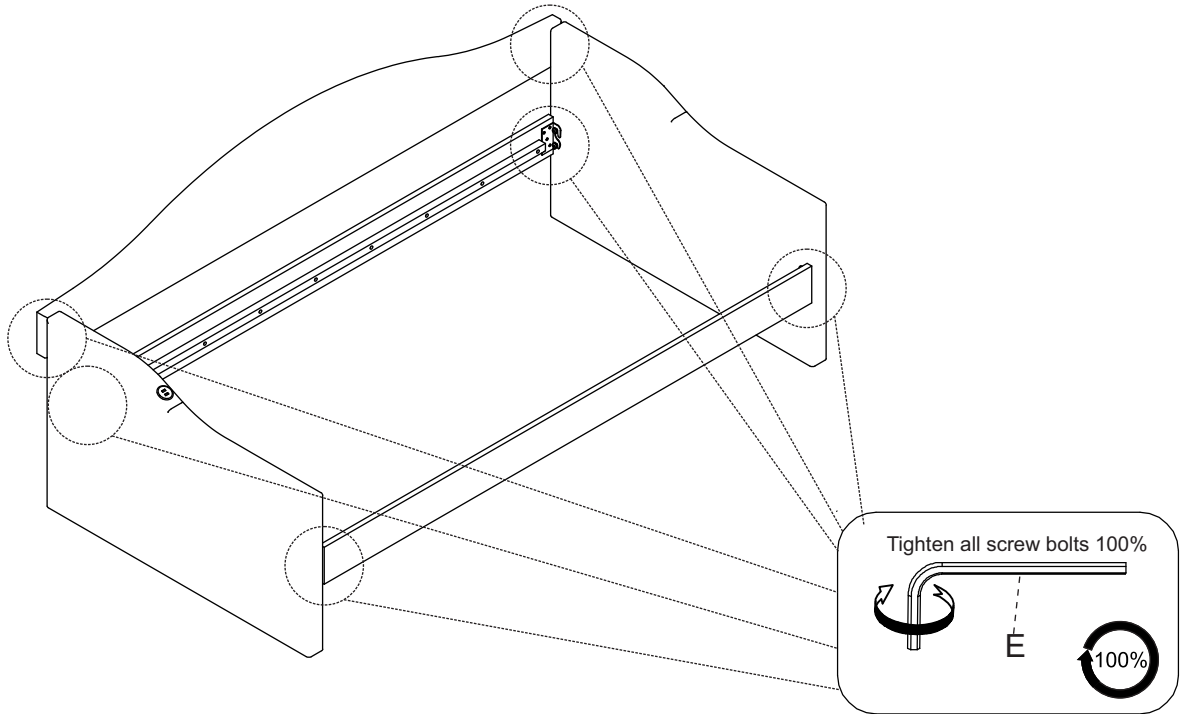
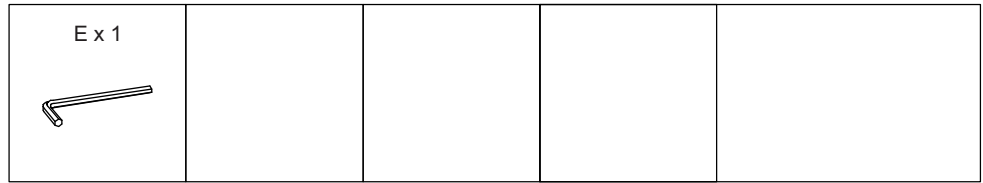
# STEP 4



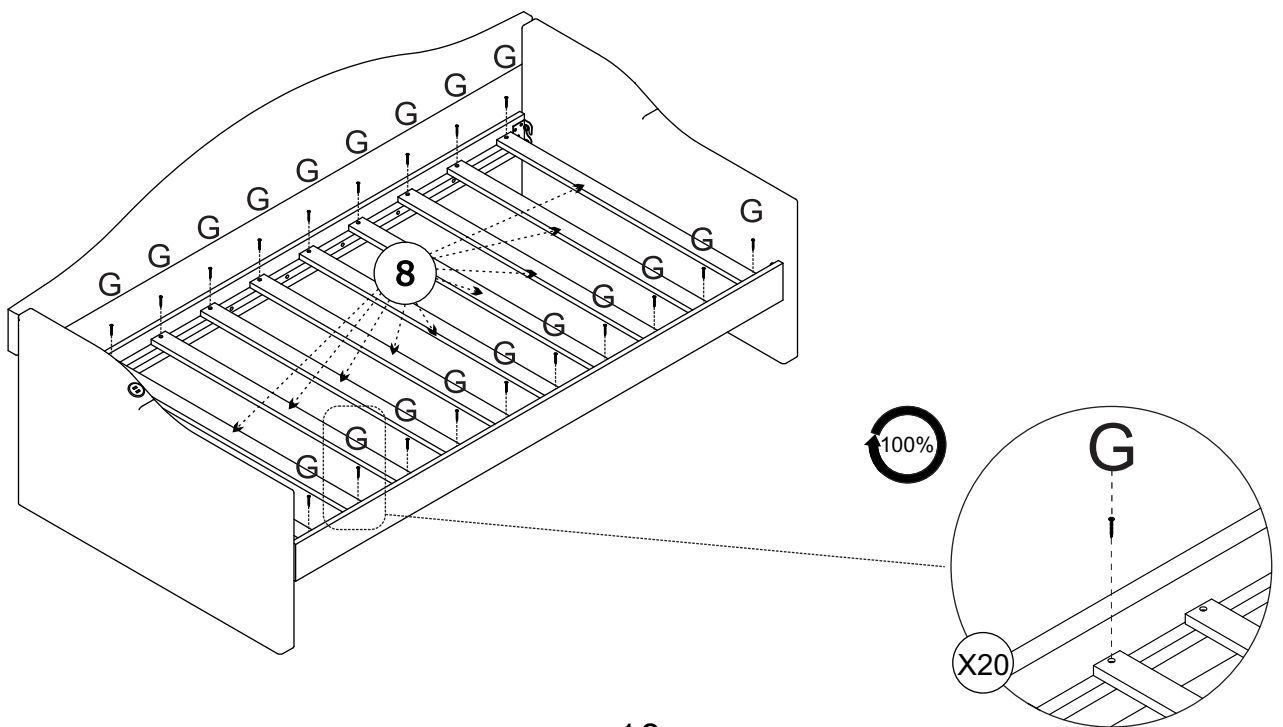
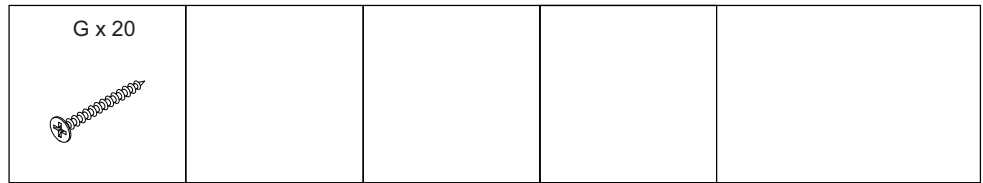
# STEP 5



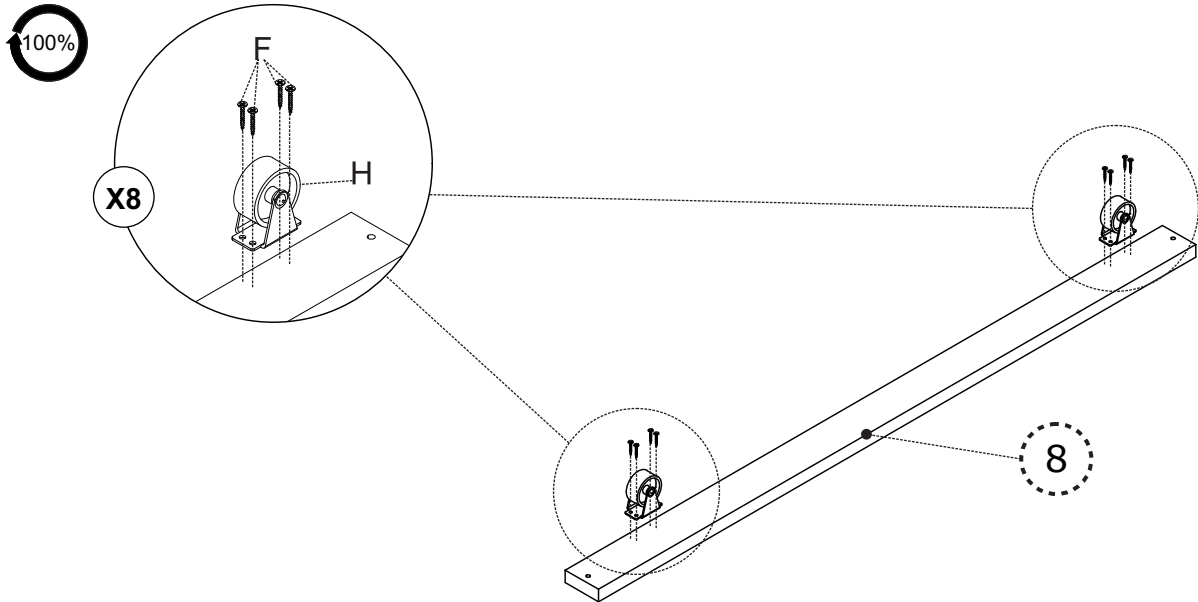
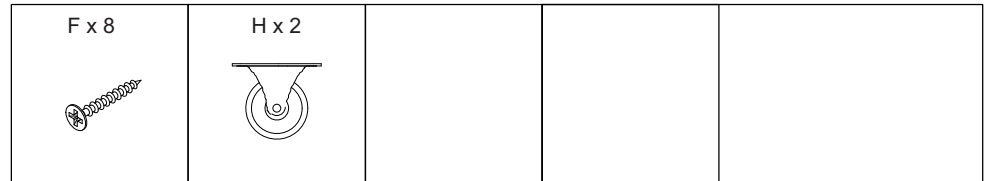
# STEP 6



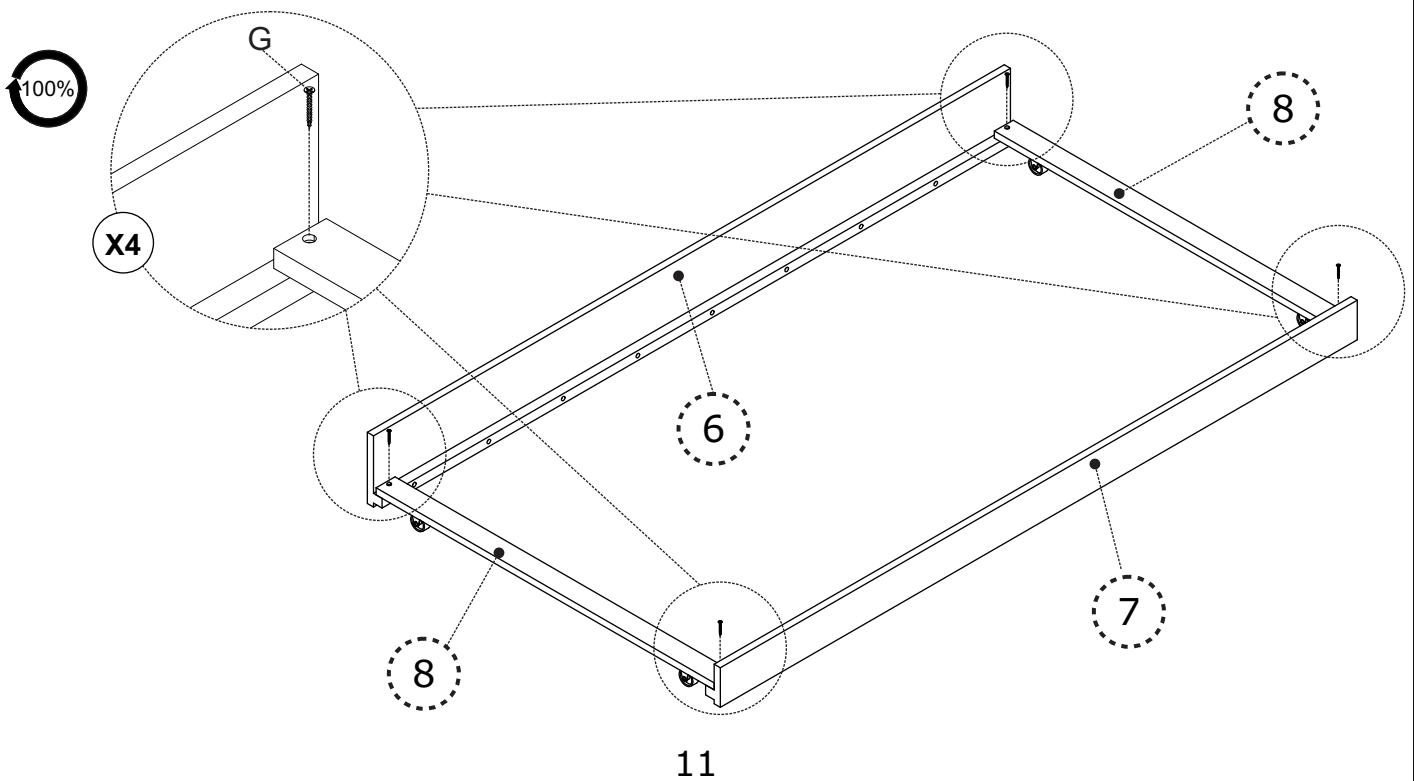
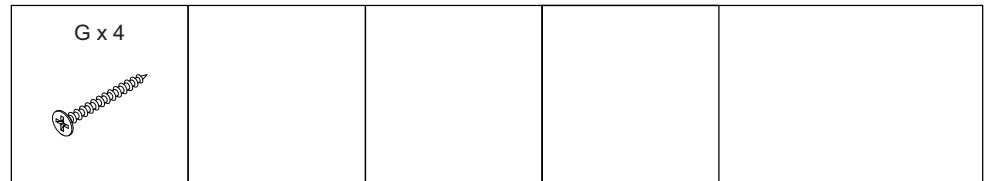
# STEP 7



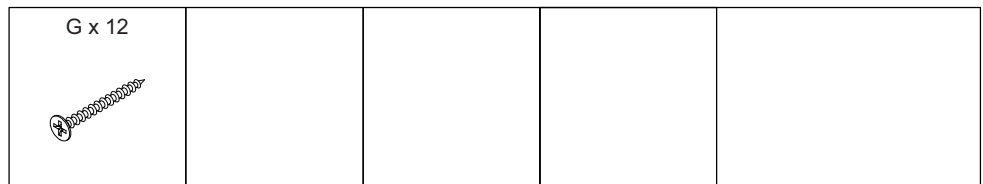
# STEP 8



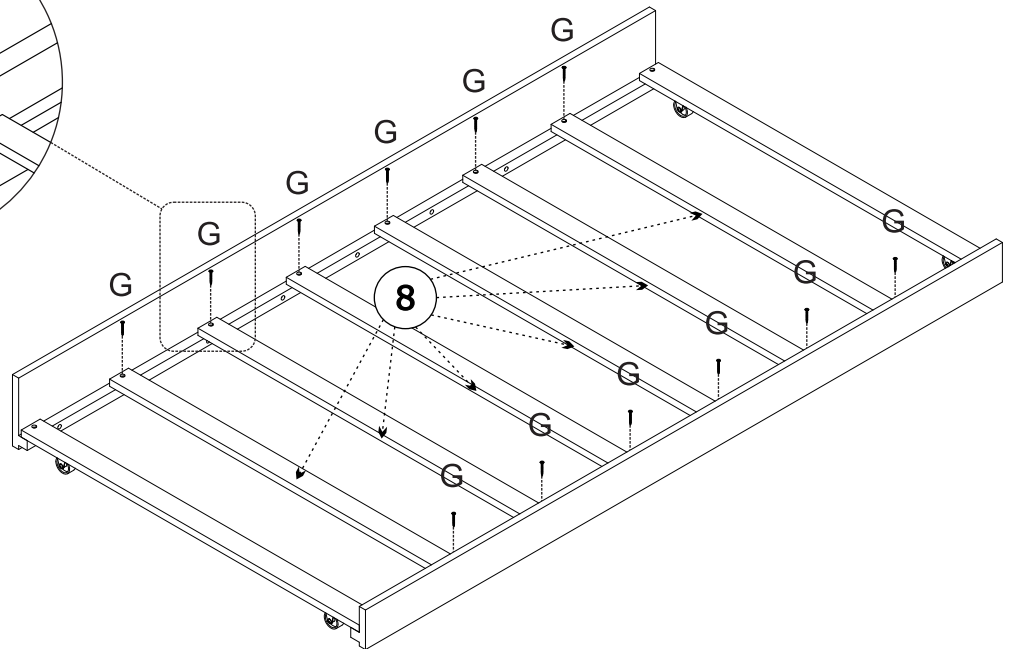
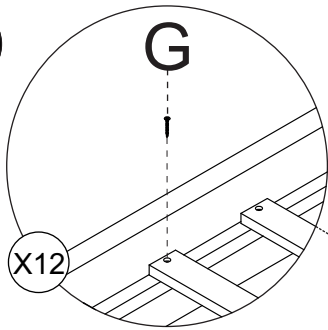
# STEP 9



# STEP 10



100%



# STEP 11

