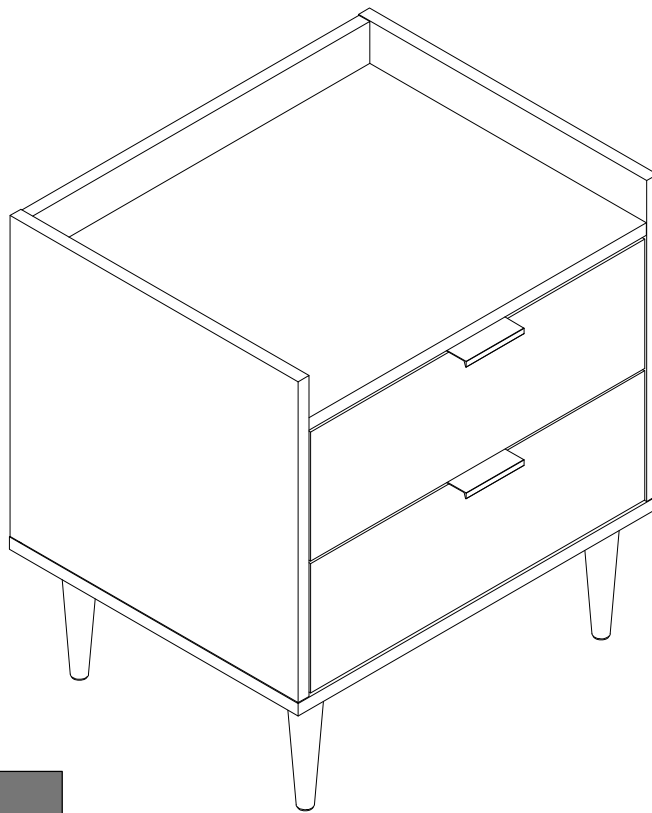


BEDSIDE TABLE-WF315535

Assembly Instructions - Please keep for future reference



DIMENSIONS

width - 19.69inch
Depth - 15.75inch
Height - 21.66inch

Important - Please read these instructions fully before starting assembly

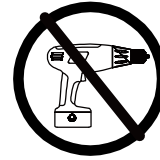


Safety and Care Advice

Important – Please read these instructions fully before starting assembly

- Check you have all the components and tools listed on the following pages.
- Remove all fittings from the plastic bags and separate them into their groups.
- Keep children and animals away from the work area, small parts could choke if swallowed.
- Make sure you have enough space to layout the parts before starting.

- During assembly do not stand or put weight on the product, this could cause damage.
- Assemble the item as close to its final position (in the same room) as possible.
- Assemble on a soft level surface to avoid damaging the unit or your floor.
- Parts of the assembly will be easier with 2 people.



power drill is set on a low torque setting.

- To reduce the likelihood of damaging your product please ensure that your

Care and maintenance

•Only clean using a damp cloth and mild detergent, do not use bleach or abrasive cleaners.

•From time to time check that there are no loose screws on this unit.

•This product should not be discarded with household waste. Take to your local authority waste disposal centre.

Handy Hints

•Assemble all parts and bolts loosely during assembly, only once the product is complete should you fully tighten the bolts

•Regularly check and ensure That all bolts and fittings are tightend properly.

WARNING In order to help prevent overturning – please follow these instructions

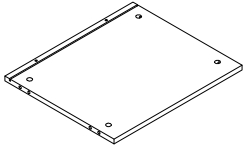
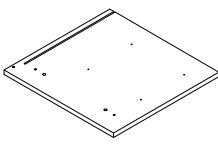
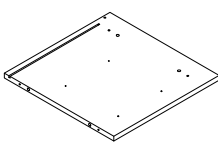
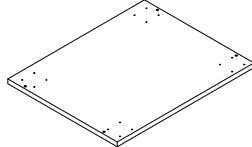
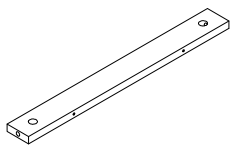
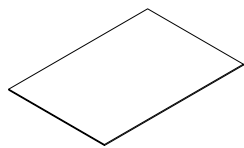
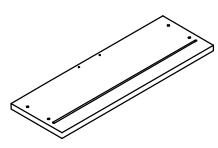
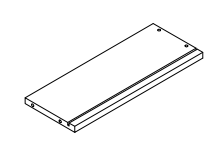
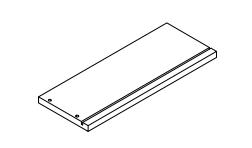
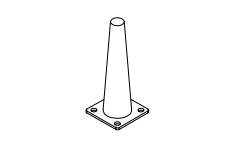
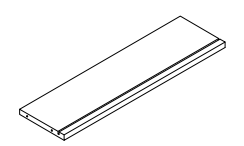
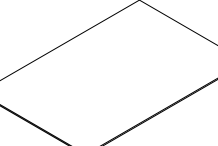



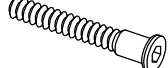
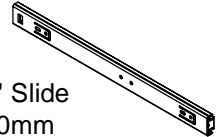
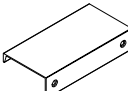
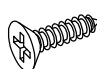
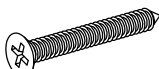
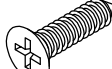
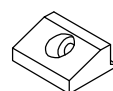

To help prevent product toppling over please follow the below steps:-

- Use the anti tip stap or wall fixing method provided (if applicable)
- Do not allow children to climb or hang on the furniture
- Do not open more than one drawer at a time
- Do not place heavy items in the top drawers
- Do not place heavy items on top of the furniture, unless the furniture has been designed for this purpose

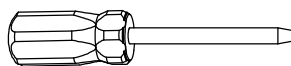
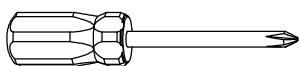
Components - Fittings

Please check you have all the panels listed below

Note: The quantities below are the correct amount to complete the assembly. In some cases more fittings may be supplied than are required.

				
1 x 1 PC	2 x 1 PC	3 x 1 PC	4 x 1 PC	5 x 1 PC
				
6 x 1 PC	7 x 2 PCS	8 x 2 PCS	9 x 2 PCS	10 x 4 PCS
				
11 x 2 PCS	12 x 2 PCS			
				
M6 x 35 mm	Ø15 x 10mm	Ø8 x 30mm	Ø5 x 40mm	12" Slide 300mm
A x 14 PCS	B x 14 PCS	C x 8 PCS	D x 6 PCS	E x 4 PCS
				
F x 2 PCS	G x 28 PCS	H x 8 PCS	I x 20 PCS	J x 4 PCS
				
M3				
K x 1 PC				

Tools required (Not included)



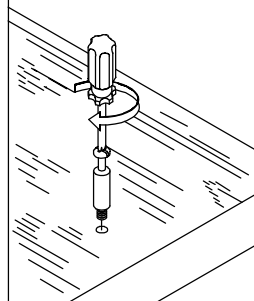
Using Camlocks

Step 1

Connect the male camlock as directed in the assembly instructions using a screwdriver.

1

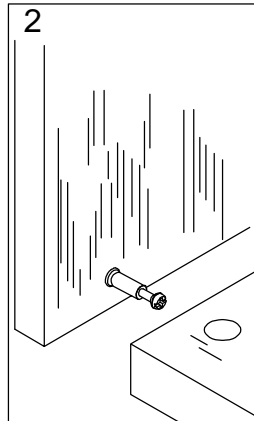
DO NOT OVER TIGHTEN.
NE PAS SERRER EXCESSIVEMENT.



Step 2

Push the male camlock into the entry hole.

2

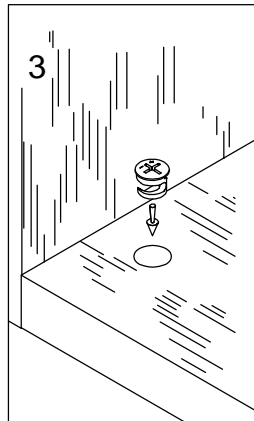


Step 3

Insert the female camlock as shown in the instruction.

Note: ensure that the arrow on the top of the camlock points towards the entry hole for the male camlock .

3



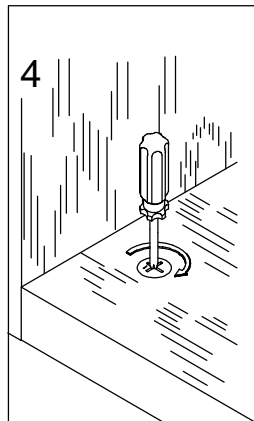
Step 4

Turn the female camlock clockwise with a screwdriver.

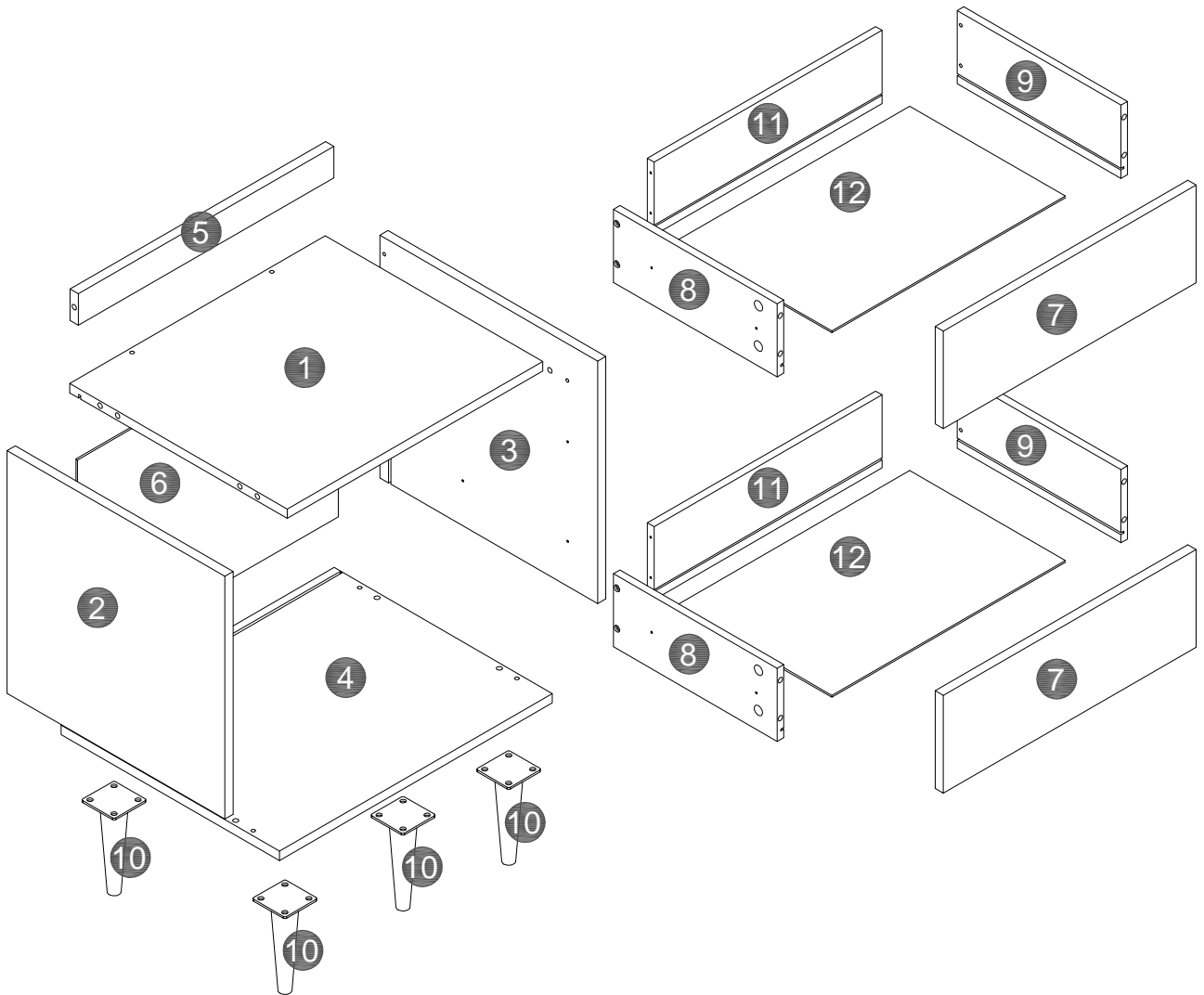
You should feel a click when the camlock is locked in place.

The joint is now secure.

4



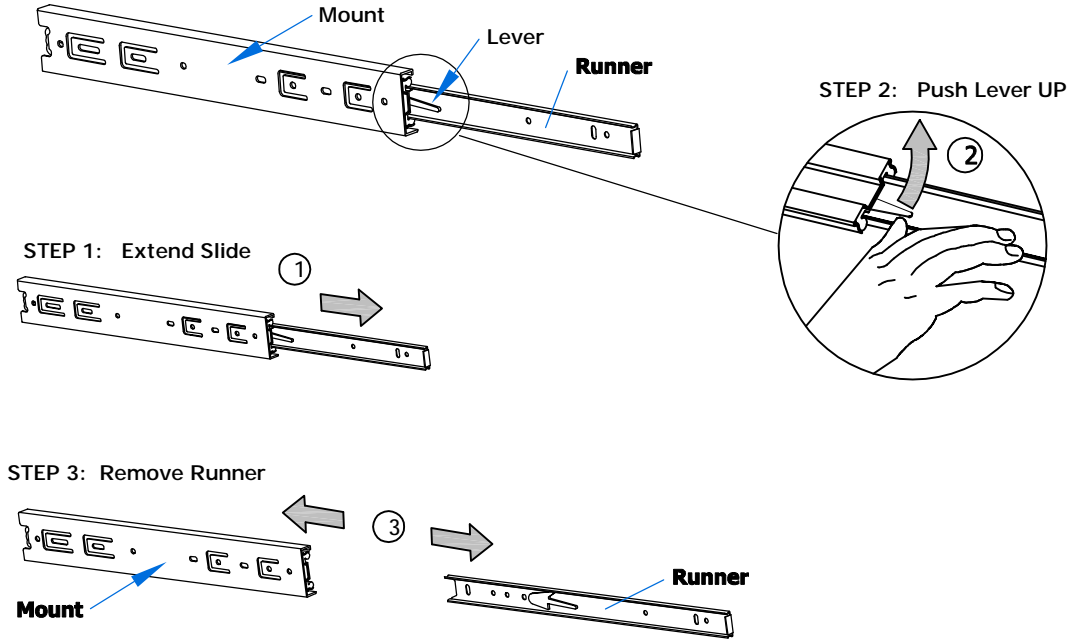
Assembly Instructions



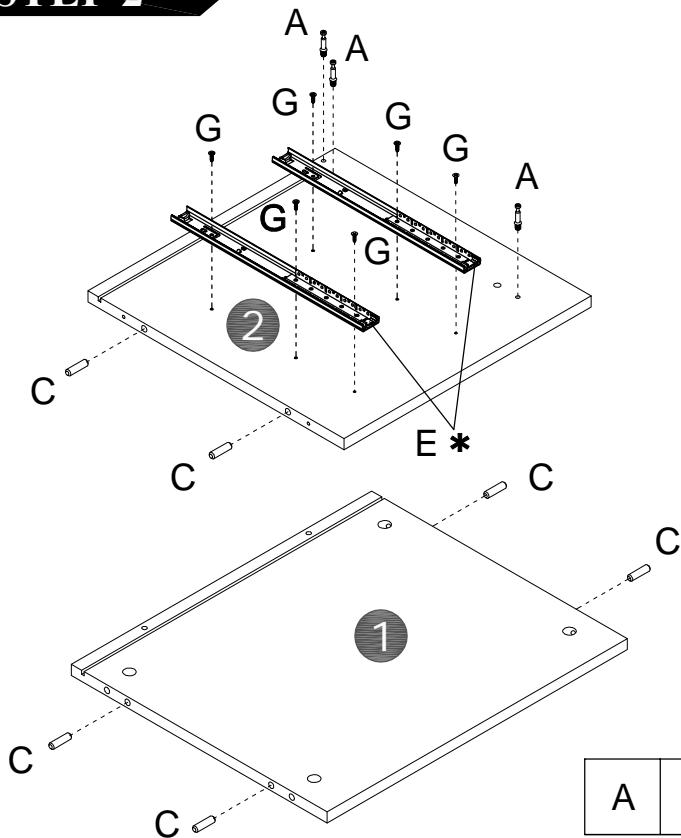
Assembly Instructions

STEP 1

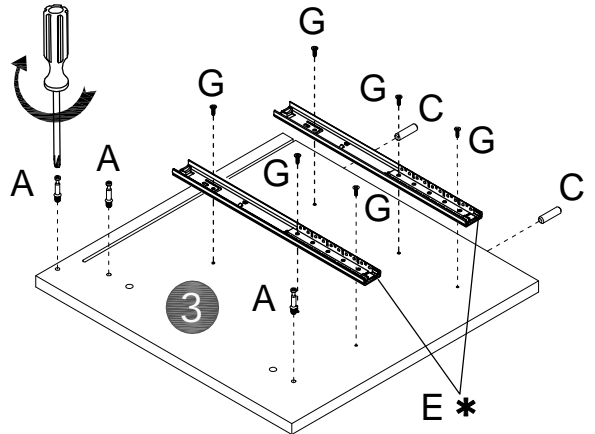
**Slides Must Be Separated Before Assembly.
After Separated, Set Aside Until Needed for Assembly.**



STEP 2



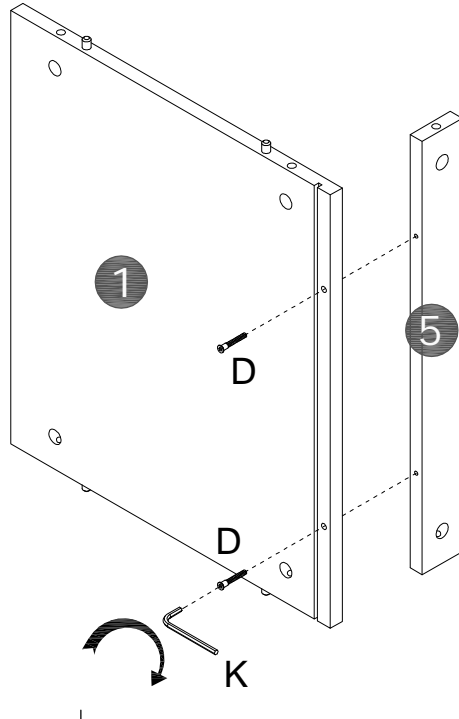
(Not included)



G	12	Ø3.5*12MM	
E	4	Orientation 12" Slide Mount	
A	6		
C	8	Ø8*30MM	

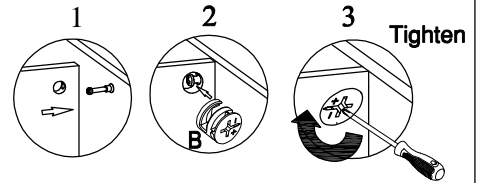
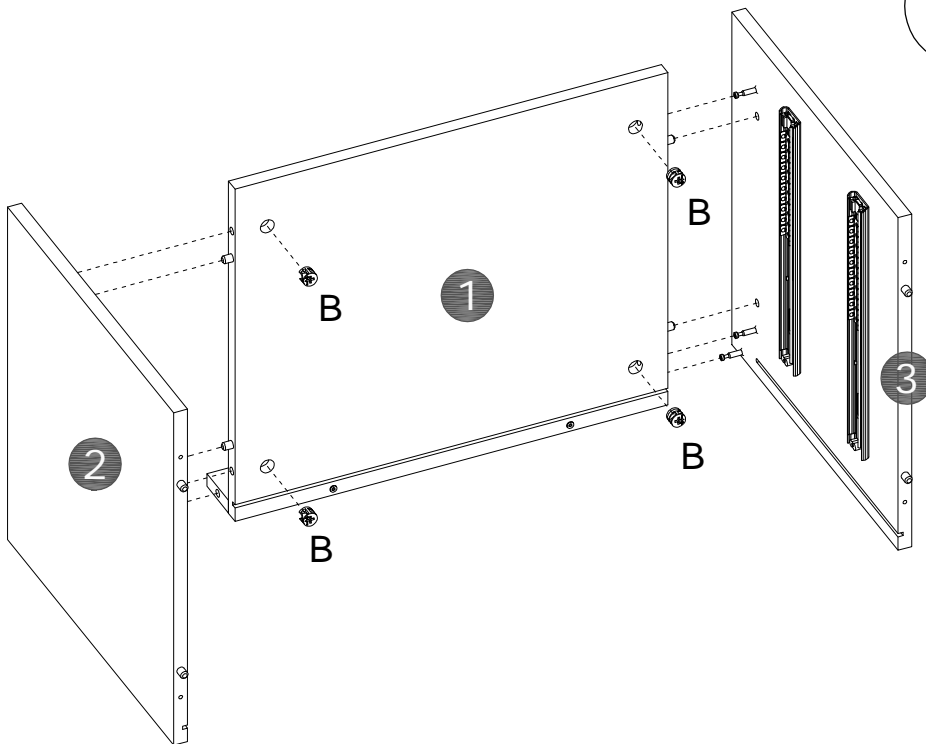
Assembly Instructions

STEP 3



K	M3	
D	2	

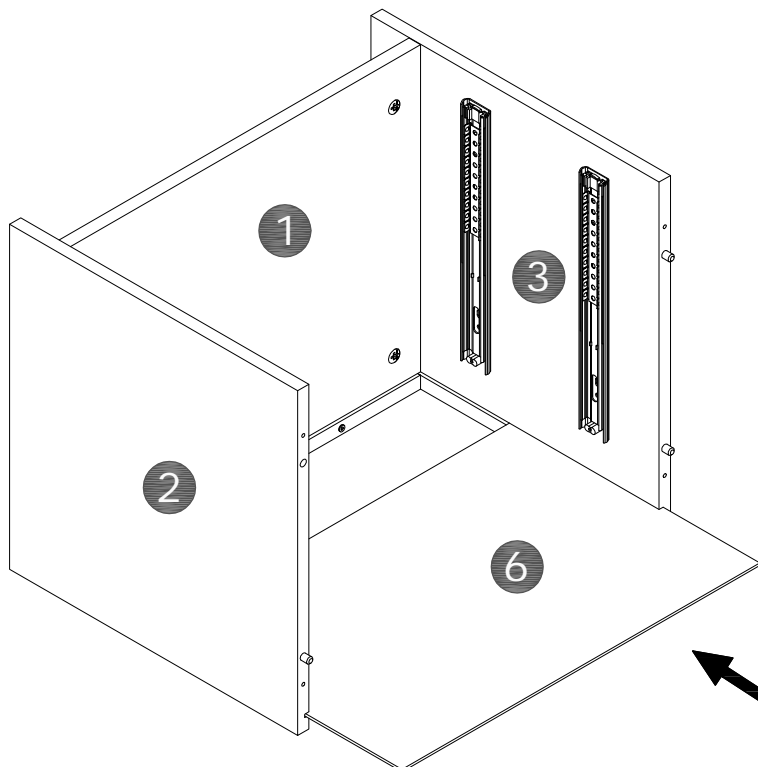
STEP 4



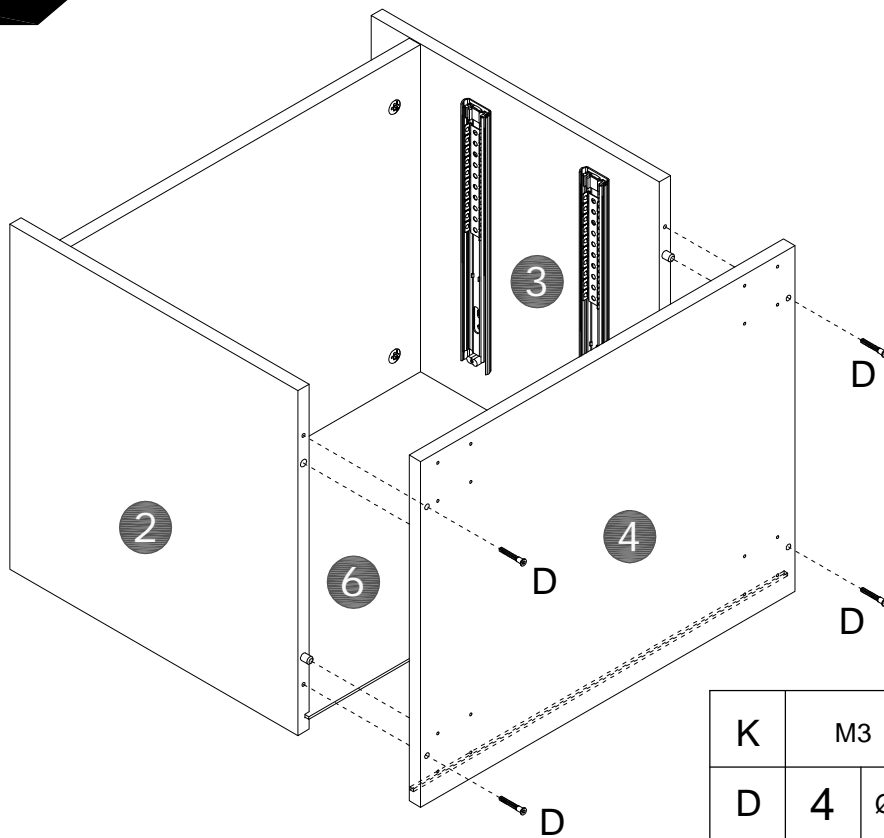
B	4	
---	---	--

Assembly Instructions

STEP 5



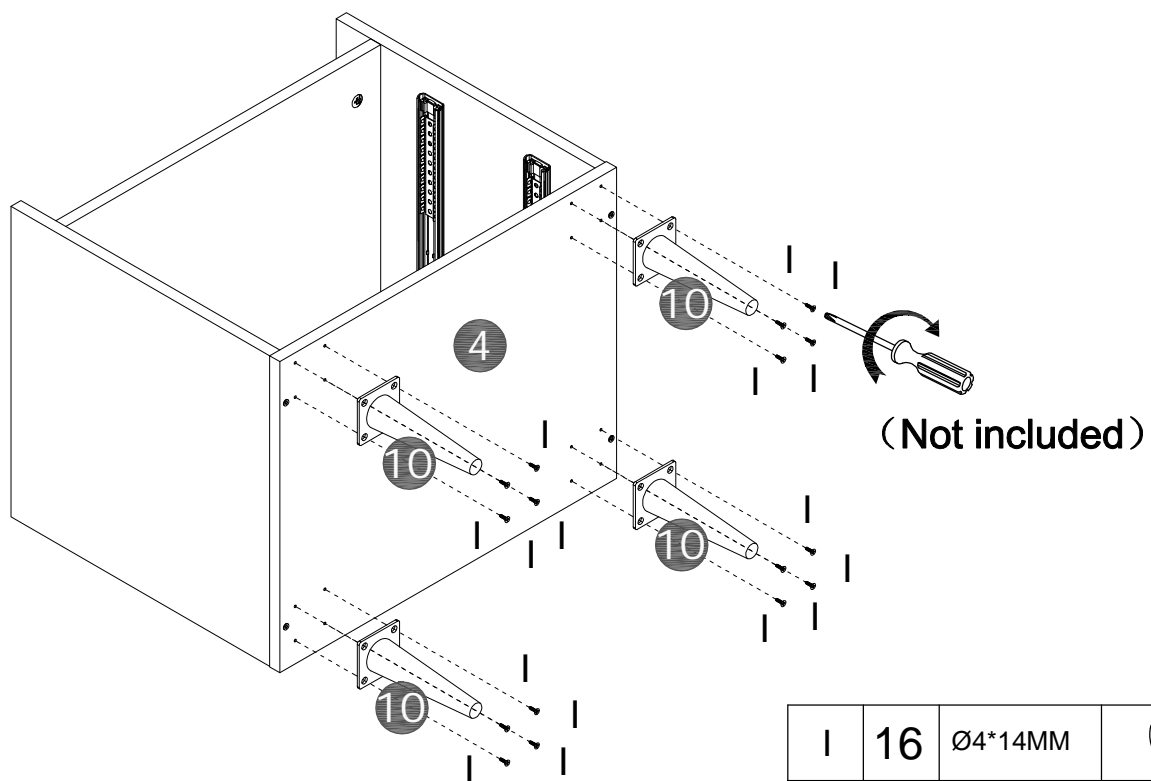
STEP 6



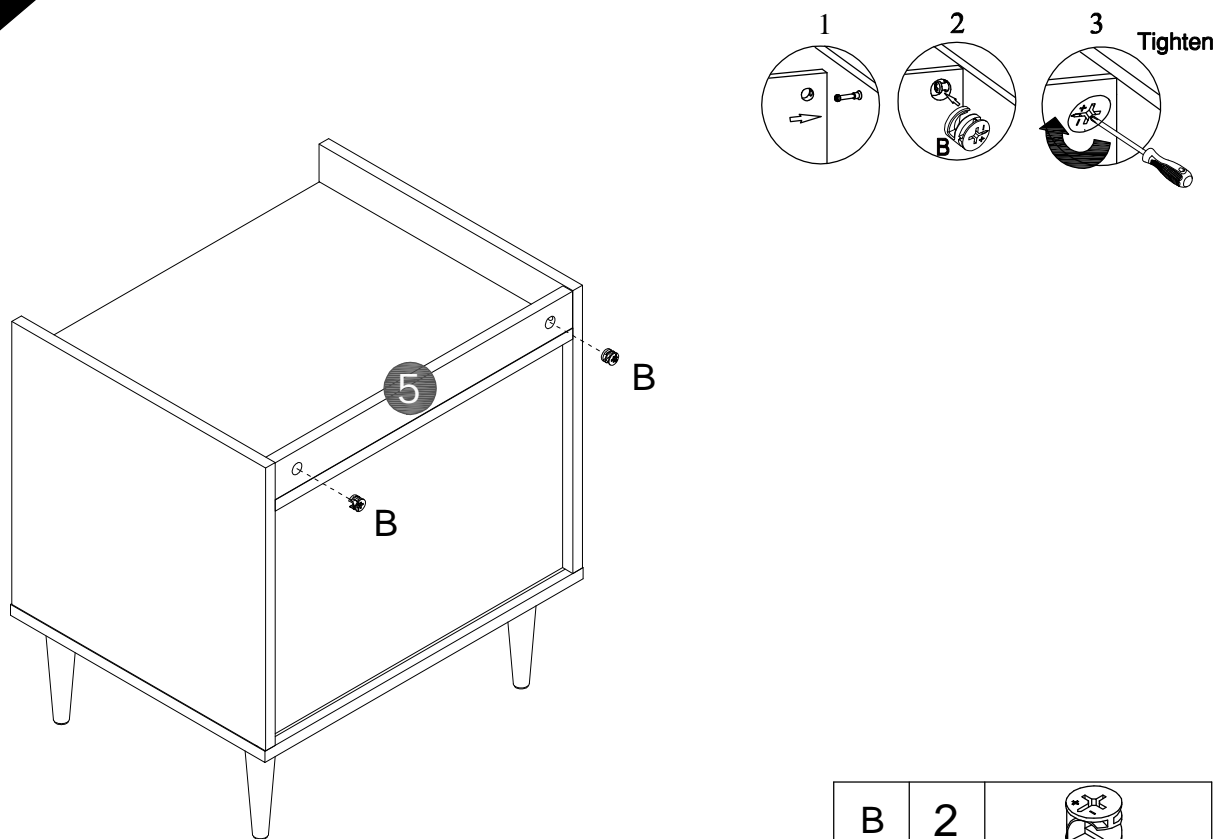
K	M3	
D	4	Ø5*40MM 

Assembly Instructions

STEP 7

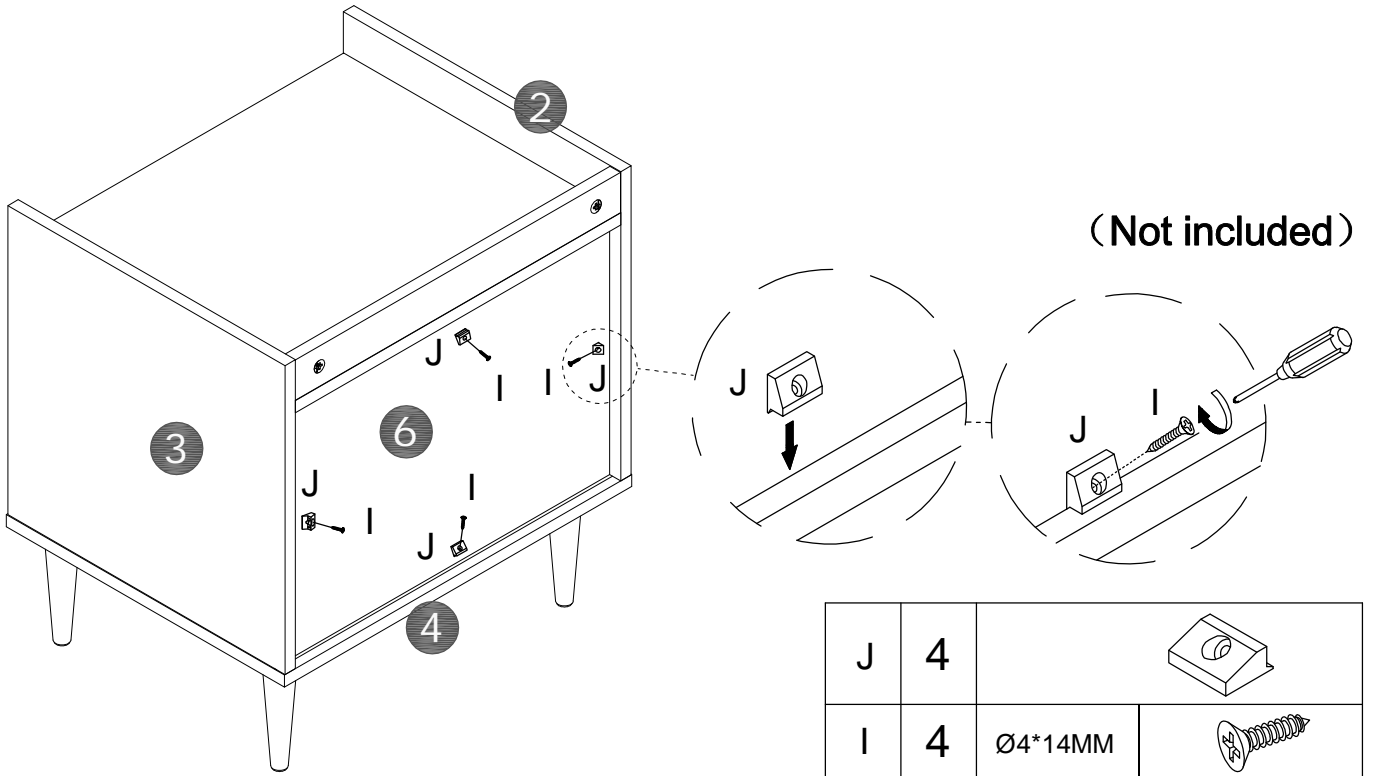


STEP 8

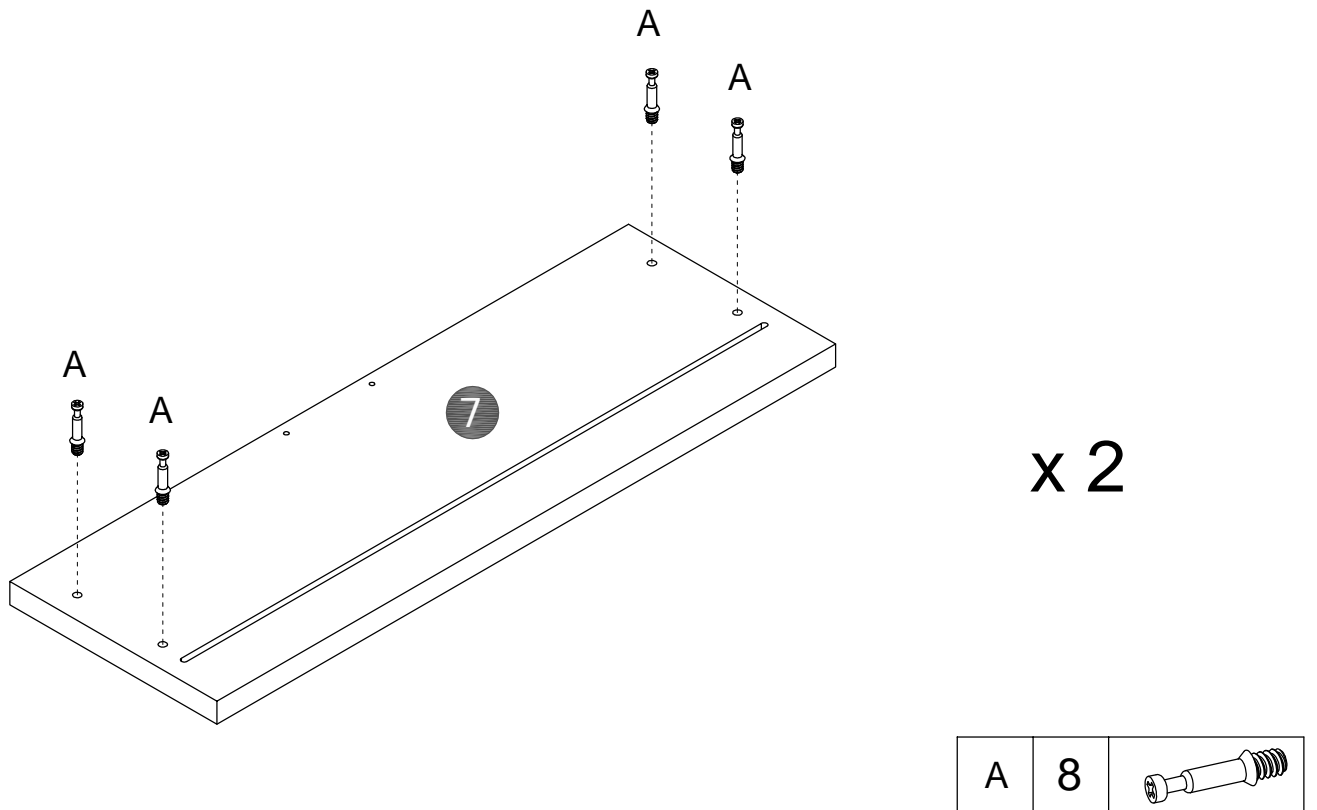


Assembly Instructions

STEP 9

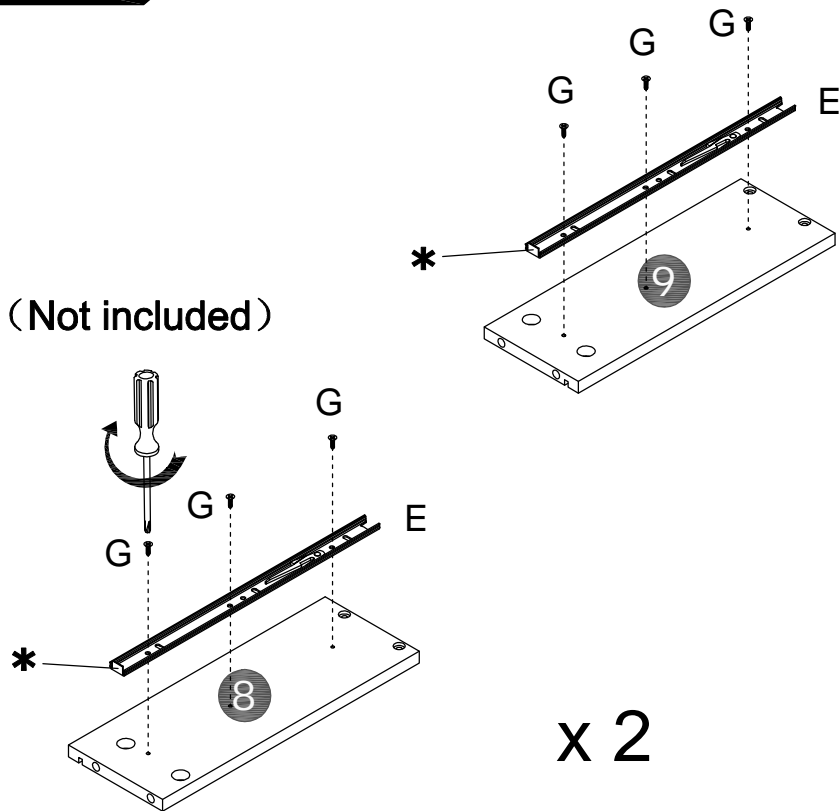


STEP 10



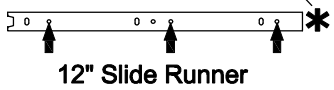
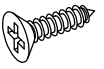
Assembly Instructions

STEP 11

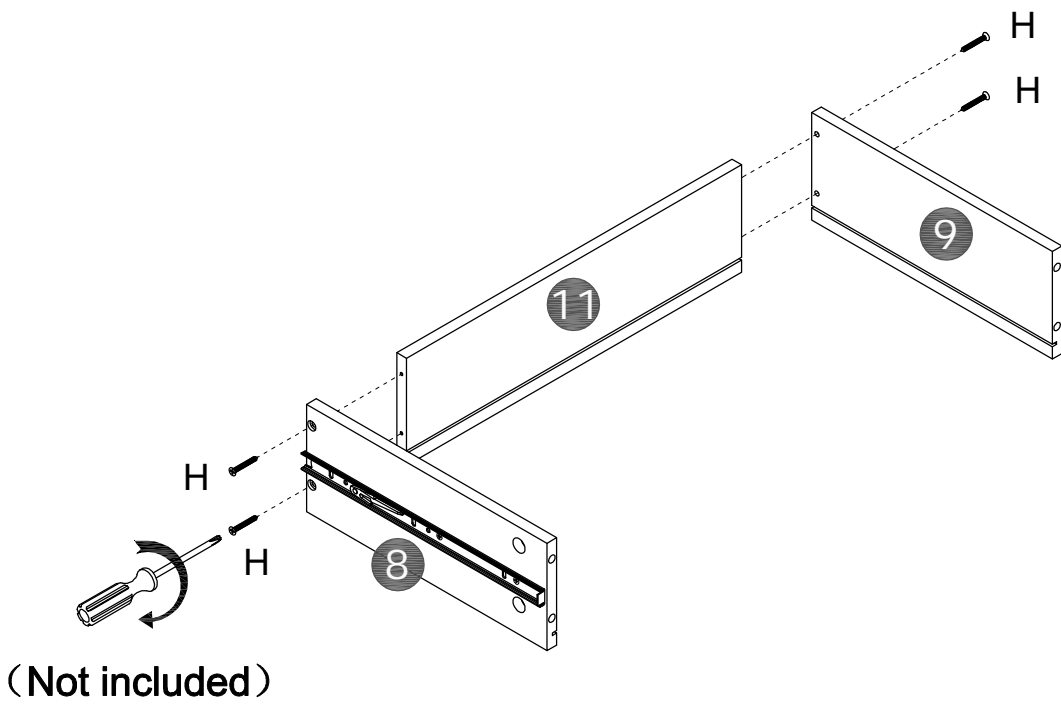


x 2

x 2

E	4	Orientation 	
G	12	Ø3.5*12MM	

STEP 12

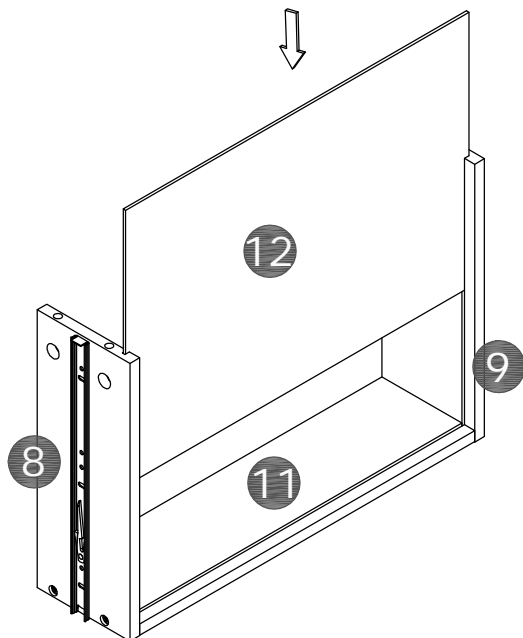


x 2

H	8	Ø4*25MM	
---	---	---------	---

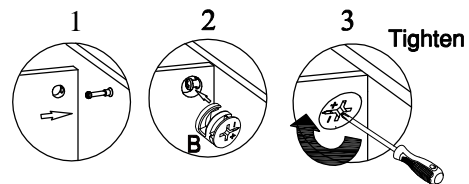
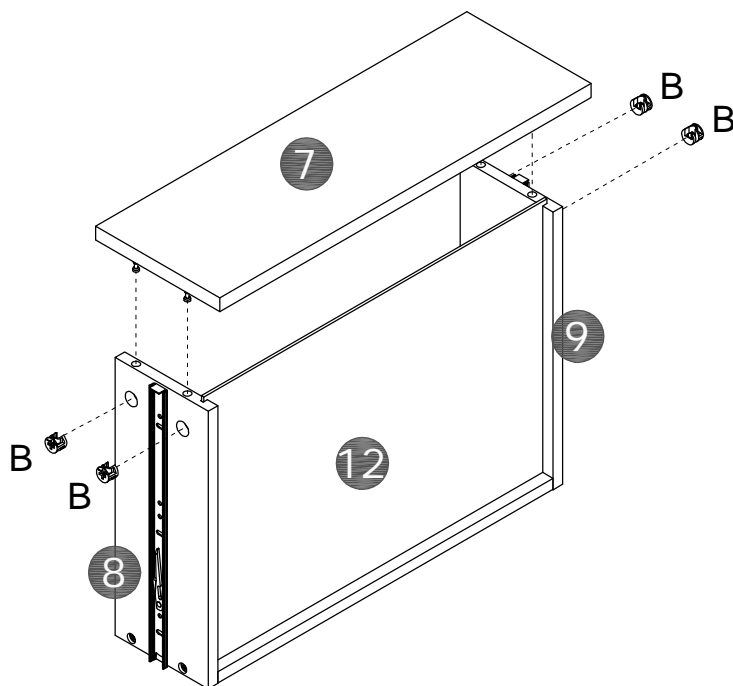
Assembly Instructions

STEP 13



x 2

STEP 14

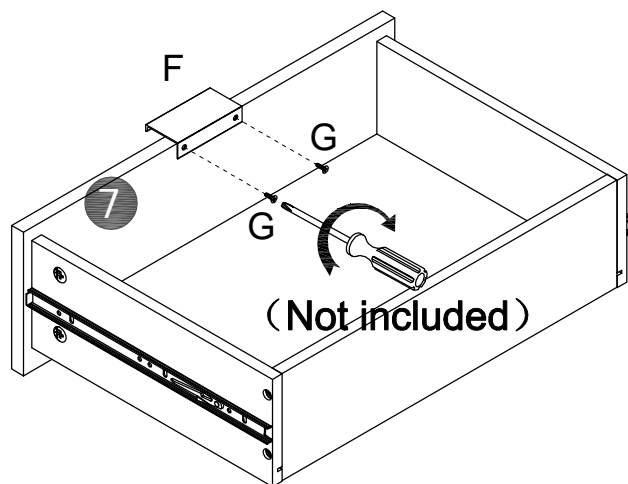


x 2

B	8	
---	---	--

Assembly Instructions

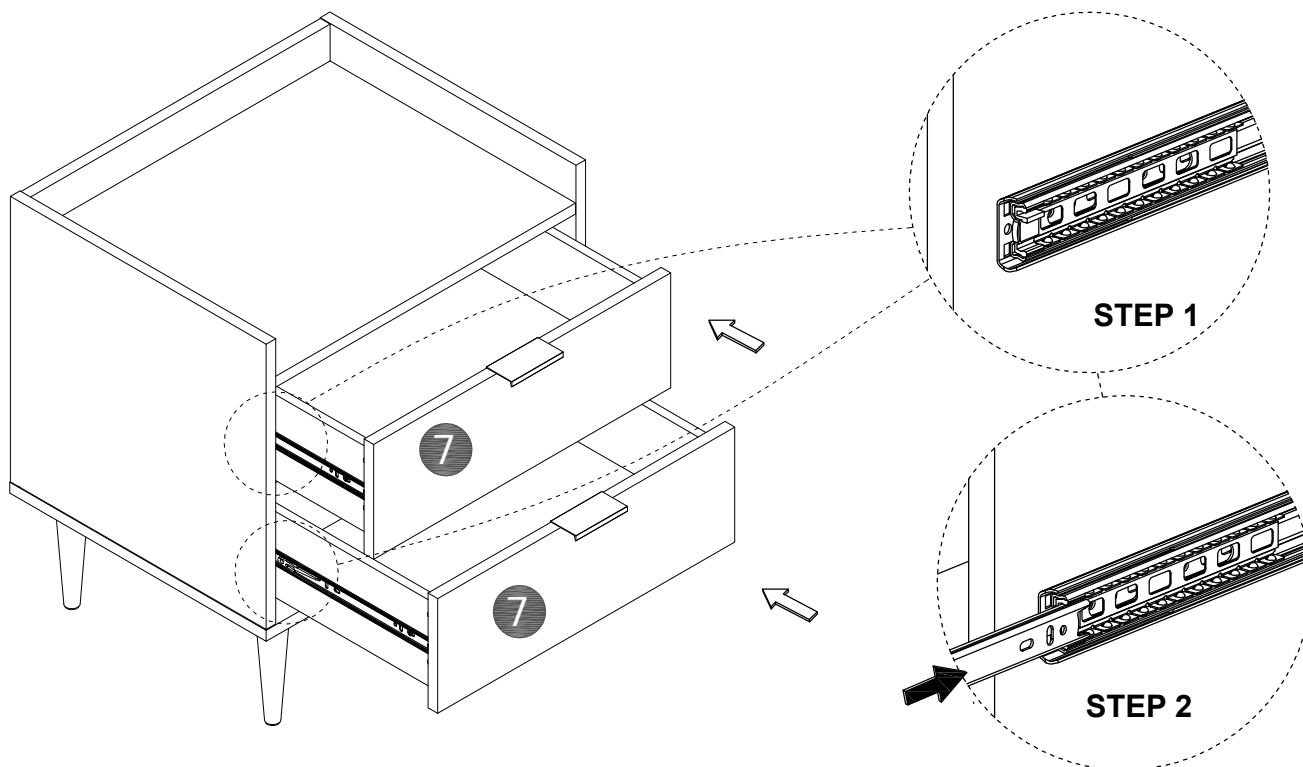
STEP 15



x 2

F	2	
G	4	Ø3.5*12MM

STEP 16



Assembly Instructions

STEP 17



Final Assembly